

PATENT JOURNAL

INCLUDING TRADE MARKS, DESIGNS AND
COPYRIGHT IN CINEMATOGRAPH FILMS

DECEMBER 2021

VOL 54 • No. 12



Companies and Intellectual
Property Commission
a member of the dtic group

Part II of II

ISSUED MONTHLY

DATE OF ISSUE: 22 DECEMBER 2021

ISSN 2223-4837

PATENT JOURNAL

INCLUDING TRADE MARKS, DESIGNS AND
COPYRIGHT IN CINEMATOGRAPH FILMS

VOL. 54 No. 12

Date of Issue: 22 DECEMBER 2021

PATENTS, TRADE MARKS, DESIGNS AND COPYRIGHT OFFICE

Official notices of proceedings under:

The Patents Act, 1978

The Designs Act, 1993

The Trade Marks Act, 1963

The Trade Marks Act, 1993

The Registration of Copyright in Cinematograph Films Act, 1977

Registrar of Patents, Trade Marks, Designs and Copyright

Note: CIPC acting on behalf of the Government of the Republic of South Africa, cannot guarantee the accuracy of its publications or undertake any responsibility for errors or omissions or their consequences.

TABLE OF CONTENTS

2. PATENTS	4
APPLICATIONS FOR PATENTS	5
ASSIGNMENTS IN TERMS OF SECTION 60-REGULATIONS 58-60 AND 64 (1)	136
CHANGE OF NAME IN TERMS OF REGULATION 39	139
PATENT LICENSES IN TERMS OF SECTION 53 (7)-REGULATIONS 62 AND 63.....	144
PATENT APPLICATIONS ABANDONED OR WITHDRAWN	144
APPLICATION FOR RESTORATION OF A LAPSED PATENT.....	144
APPLICATION FOR VOLUNTARY SURRENDER OF PATENTS UNDER SECTION 64 (1), REGULATION 67 OF THE ACT	146
APPLICATIONS TO AMEND SPECIFICATION.....	146
INSPECTION OF SPECIFICATIONS.....	148
HYPOTHECATIONS	393
JUDGMENTS	393
OFFICE PRACTISE NOTICES	393
3. DESIGNS	394
APPLICATIONS FOR REGISTRATION OF DESIGNS IN TERMS OF ACT No. 195 OF 1993	395
APPLICATION FOR THE RESTORATION OF A LAPSED DESIGN UNDER SECTION 23 OF THE ACT	399
APPLICATION TO CORRECT AND/OR AMEND DESIGNS APPLICATION OR REGISTRATION	399
NOTICE OF REGISTRATION OF DESIGNS	399
HYPOTHECATIONS	451
JUDGMENTS.....	451
OFFICE PRACTISE NOTICES	451
4. COPYRIGHT	452
NOTICES OF ACCEPTANCE	453
HYPOTHECATIONS.....	454
JUDGMENTS.....	454
OFFICE PRACTISE NOTICES	454
5. CORRECTION NOTICES	455
TRADE MARK CORRECTION NOTICES	456
PATENT CORRECTION NOTICES	456
DESIGNS CORRECTION NOTICES	459
COPYRIGHT CORRECTION NOTICES	459
PATENTS	460
DESIGNS	484

2. PATENTS

PATENTS

APPLICATIONS FOR PATENTS

Copies of these specifications cannot be supplied until the applications have been accepted and advertised, or in the case of convention applications, until 18 months from the date of the application in the convention

THE PARTICULARS APPEAR IN THE FOLLOWING SEQUENCE:

The numerical references denote the following: **(21)** Number of application. **(22)** Date of application. **(DA)** Date of acceptance. **(51)** Class. **(71)** Name of applicant(s). **(72)** Name of all inventors. **(33)** Country. **(31)** Number and **(32)** Date of convention application. **(54)** Title of invention. **(00)** Number of sheets.

- APPLIED ON 2021/11/22 -

2021/09347 ~ Complete ~54:TRIPLE VACCINE FOR SALMONELLA, RIEMERELLAANATIPESTIFER AND ESCHERICHIA COLI ~71:QINGDAO AGRICULTURAL UNIVERSITY, 700 Changcheng Road, Chengyang District, Shandong Province, People's Republic of China ~72: GUO, Lili;ZHAO, Yongda~

2021/09377 ~ Complete ~54:HANDHELD MEASUREMENT, SEARCH AND SAFETY DEVICE ~71:MICHAEL J. GEIER, 15316 83RD LANE N, LOXAHATCHEE, FL, 33470, United States of America ~72: MICHAEL J. GEIER~ 33:US ~31:62861131 ~32:13/06/2019

2021/09320 ~ Provisional ~54:ENERGY STORAGE ~71:Frederick Silence Sithole, 113 Savannah Country Estate, South Africa ~72: Frederick Silence Sithole~ 33:ZA ~31:1 ~32:10/11/2021

2021/09346 ~ Complete ~54:SIMULATED MOVING BED CHROMATOGRAPHY (SMB) PURIFICATION METHOD FOR PURIFYING CICHORIUM INTYBUS L. BALSAM ~71:Heilongjiang Bayi Agricultural University, No. 5 Xinfeng Road, High-tech zone, Daqing city, Heilongjiang Province, People's Republic of China ~72: Cao Longkui;Han Shuchen;Jiang Caixia;Li Liangyu;Luo Cheng;Tang Huacheng~

2021/09321 ~ Provisional ~54:SOLUTAI ~71:Amram Micaih Mofomme, 888, South Africa;Amram Micaih Mofomme, 888, South Africa ~72: Amram Micaih Mofomme~ 33:IB ~31:1 ~32:01/11/2021

2021/09330 ~ Complete ~54:METHOD FOR IDENTIFYING POPULATIONS AND SPECIES OF CEPHALOPODS ~71:Shanghai Ocean University, No. 999 Huchenghuan Road, Pudong District, Shanghai, 201306, People's Republic of China ~72: Bohao ZHANG;Chao WANG;Guangmingmei YANG;Jun YU;Nan LI;Zhou FANG~ 33:CN ~31:202011630217.2 ~32:31/12/2020

2021/09364 ~ Complete ~54:MATERIAL PLATE ~71:BARD, Markus, Pantelweg 16, REINACH 4153, SWITZERLAND, Switzerland ~72: BARD, Markus~ 33:CH ~31:00553/19 ~32:25/04/2019

2021/09333 ~ Complete ~54:METHOD FOR PROMOTING RAPID GERMINATION AND SEEDLING FORMATION OF ARTOCARPUS STYRACIFOLIUS PIERRE SEEDS ~71:Guangxi Institute of Botany, Chinese Academy of Sciences, China, No. 85, Yanshan Town, Yanshan District, Guilin City, Guangxi Zhuang Autonomous Region, People's Republic of China ~72: Chai Shengfeng;Gu Rui;Lv Shihong;Qin Huizhen;Tang Jianmin;Wei Xiao;Zou Rong~

2021/09359 ~ Complete ~54:CREST ELEMENT FOR A BREAKWATER, ARMOUR LAYER ASSEMBLY FOR A BREAKWATER, BREAKWATER, METHOD OF CRESTING A BREAKWATER, AND METHOD OF PROVIDING AN ARMOUR ON A BREAKWATER ~71:KONINKLIJKE BAM GROEP N.V., 9, Runnenburg, 3981 AZ, Bunnik,

Netherlands ~72: JAN SEBASTIAAN REEDIJK;PIETER BASTIAAN BAKKER;ROBERT PIETER MICHAËL JACOBS~ 33:NL ~31:2023195 ~32:24/05/2019

2021/09370 ~ Complete ~54:ANTI-PSGL-1 COMPOSITIONS AND METHODS FOR MODULATING MYELOID CELL INFLAMMATORY PHENOTYPES AND USES THEREOF ~71:Verseau Therapeutics, Inc., 47 Wiggins Avenue, BEDFORD 01730, MA, USA, United States of America ~72: FELDMAN, Igor;NOVOBRANTSEVA, Tatiana I.;O'NUALLAIN, Brian;PHENNICIE, Ryan;SAZINSKY, Stephen L.;WAHLE, Joseph A.~ 33:US ~31:62/857,169 ~32:04/06/2019;33:US ~31:62/867,569 ~32:27/06/2019;33:US ~31:62/947,948 ~32:13/12/2019;33:US ~31:63/032,214 ~32:29/05/2020

2021/09351 ~ Complete ~54:PREPARATION OF RISEDRONATE ZINC MICRONANO-ADJUVANT, AND USE OF SAME AS VACCINE ADJUVANT ~71:XIAMEN INNOVAX BIOTECH CO., LTD., 1ST FLOOR, 50 SHAN BIAN HONG EAST ROAD, HAICANG DISTRICT XIAMEN, People's Republic of China;XIAMEN UNIVERSITY, NO.422 SI MING NAN ROAD, SIMING DISTRICT XIAMEN, People's Republic of China ~72: CHEN, Siyi;HUANG, Xiaofen;LI, Yike;NIE, Meifeng;XIA, Ningshao;ZHAO, Qinjian~ 33:CN ~31:201910459715.6 ~32:30/05/2019

2021/09355 ~ Complete ~54:AUTO-INJECTOR AND RELATED METHODS OF USE ~71:REGENERON PHARMACEUTICALS, INC., 777 Old Saw Mill River Road, Tarrytown, New York, 10591, United States of America ~72: ANDREW DUMONT;ANDREW LABAT-ROCHECOUSTE;BART BURGESS;BRYAN GRYGUS;CRAIG MCGARRELL;DANIEL HALBIG;JAMES CUNNINGHAM GLENCROSS;JAMES DONALD MCLUSKY;JAMES NICHOLAS MOWER;JEREMY MCNAMARA;JOHN BURKE;KIRSTY WYNNE;MARTIN BONTOFT;MATT HILL;MATTHEW PAUSLEY;PAIGE WAECHTER;ROSS KENYON;SCOTT MARTIN;TIM QUIGG;TREVOR LANGLEY~ 33:US ~31:62/869,777 ~32:02/07/2019;33:US ~31:62/869,851 ~32:02/07/2019;33:US ~31:62/932,786 ~32:08/11/2019;33:US ~31:62/932,934 ~32:08/11/2019

2021/09362 ~ Complete ~54:MASTER LINK FOR A TRACK CHAIN ~71:CATERPILLAR INC., 100 NE Adams Street, Peoria, United States of America ~72: LONGANBACH, David~ 33:US ~31:16/422,581 ~32:24/05/2019

2021/09368 ~ Complete ~54:PARTICLES OF DRIED MICROFIBRILLATED CELLULOSE AND THE USE THEREOF ~71:Stora Enso OYJ, P.O. Box 309, HELSINKI 00101, FINLAND, Finland ~72: BACKFOLK, Kaj;CUNHA, Gisela~ 33:SE ~31:1950771-4 ~32:20/06/2019

2021/09335 ~ Complete ~54:METHOD FOR IDENTIFYING WALNUT VARIETIES BY SSR TECHNOLOGY ~71:Hebei Agricultural University, No. 289 Lingyusi Street, Baoding City, Hebei Province, People's Republic of China;Institute of Forestry, Chinese Academy of Forestry Sciences, No.1 Dongxiaofu, Xiangshan Road, Haidian District, Beijing, People's Republic of China ~72: An Xiuhong;Ma Qingguo;Tian Yi;Wang Hongxia;Zhang Junpei;Zhang Zhihua;Zhao Shugang~

2021/09342 ~ Complete ~54:LOST FOAM STAINLESS STEEL COATING SPECIAL FOR LOST FOAM CASTING PROCESS AND MANUFACTURING METHOD THEREOF ~71:Beijing Wenshui Jiangyuan Coating Technology Co., Ltd., Room 513, Block 2, 5th Floor, Building 1, No.19 Xianlongshan Road, Haidian District, Beijing, 100091, People's Republic of China ~72: QIN, Dandan;TENG, Junwei~

2021/09349 ~ Complete ~54:MULTIFUNCTIONAL SPRAYING DEVICE FOR PEACH ORCHARDS ~71:SHANDONG INSTITUTE OF POMOLOGY, 66 Longtan Road, Taishan District, Shandong Province, People's Republic of China ~72: GAO, Xiaolan;GONG, Qingtao;LI, Guixiang;LI, Miao;ZHANG, Anning~

2021/09352 ~ Complete ~54:ANTICANCER COMBINATION THERAPY ~71:BOEHRINGER INGELHEIM INTERNATIONAL GMBH, Boehringer Ingelheim GmbH, Corporate Patents Binger Strasse 173, Germany ~72: GMACHL, Michael;HOFMANN, Marco Hans~ 33:EP ~31:19181360.9 ~32:19/06/2019

2021/09363 ~ Complete ~54:NUCLEIC ACID CONSTRUCTS AND METHODS FOR THEIR MANUFACTURE ~71:Lightbio Limited, Morelands and Riverdale Buildings, Lower Sunbury Road, HAMPTON TW12 2ER, UNITED KINGDOM, United Kingdom ~72: ADIE, Thomas Antony James;LEGIEWICZ, Michal;ROTHWELL, Paul James~ 33:GB ~31:1905651.4 ~32:23/04/2019

2021/09366 ~ Complete ~54:RADIOTHERAPEUTIC MICROSPHERES ~71:BITAR, Ryan, c/o Office of Technology Commercialization, 8403 Floyd Curl Dr, MS 7746, SAN ANTONIO 78229, TX, USA, United States of America;PHILLIPS, William T., c/o Office of Technology Commercialization, 8403 Floyd Curl Dr, MS 7746, SAN ANTONIO 78229, TX, USA, United States of America ~72: BITAR, Ryan;PHILLIPS, William T.~ 33:US ~31:62/851,915 ~32:23/05/2019

2021/09375 ~ Complete ~54:ENERGY-STORAGE WALL AND SOLAR GREENHOUSE ~71:QINGDAO AGRICULTURAL UNIVERSITY, No. 700 Changcheng Road, Chengyang District, Qingdao, Shandong , 266109, People's Republic of China ~72: LI, Qingqing~ 33:CN ~31:202010275472.3 ~32:09/04/2020

2021/09344 ~ Complete ~54:METHOD FOR DIAGNOSING STATE OF HEALTH OF BATTERY ~71:Guangdong guiyue Energy Technology Co.Ltd, Room 707, Building 2, No. 16, Keji 4th Road, Songshanhu Park, Dongguan City, Guangdong Province, 523808, People's Republic of China ~72: GUI, Chengjie;JOHN YUPENG GUI;KANG, Jianqiang;Lillian Li Wang~

2021/09376 ~ Complete ~54:MRNA FORMULATION ~71:ETHERNA IMMUNOTHERAPIES NV, Galileilaan 19, Belgium ~72: BEVERS, Sanne;DE KOKER, Stefaan;TOMME, Peter~ 33:EP ~31:19171323.9 ~32:26/04/2019

2021/09338 ~ Complete ~54:METHOD FOR REMEDYING SOIL IN MINING AREA ~71:Qinghai Geological and Mineral Testing Center (Qinghai Province Eco-environmental Geology Inspection and Testing Center), 9 Xincheng North Road, Chengzhong District, Xining, Qinghai Province, 810000, People's Republic of China ~72: CHEN, Xiuna;DU, Zuopeng;LIU, Dao;SUN, Xiaohua;XIONG, Xin;YING, Yongpeng;ZHAO, Yuqing~

2021/09339 ~ Complete ~54:COMPREHENSIVE TREATMENT METHOD FOR NON-FERROUS METAL MINE WASTEWATER ~71:Qinghai Geological and Mineral Testing Center (Qinghai Province Eco-environmental Geology Inspection and Testing Center), 9 Xincheng North Road, Chengzhong District, Xining, Qinghai Province, 810000, People's Republic of China ~72: CHEN, Xiuna;LIU, Dao;SUN, Xiaohua;WEI, Zhenhong;XIONG, Xin;YING, Yongpeng;ZHAO, Yuqing~

2021/09372 ~ Complete ~54:ELECTROSURGICAL INSTRUMENT WITH NON-LIQUID THERMAL TRANSFER ~71:Creo Medical Limited, Creo House Unit 2, Beaufort Park, Beaufort Park Way, CHEPSTOW NP16 5UH, WALES, UNITED KINGDOM, United Kingdom ~72: BURN, Patrick;HANCOCK, Christopher Paul~ 33:GB ~31:1906011.0 ~32:30/04/2019

2021/09373 ~ Complete ~54:ARC FURNACE POWER SUPPLY WITH CONVERTER CIRCUIT ~71:ABB Schweiz AG, Bruggerstrasse 66, BADEN 5400, SWITZERLAND, Switzerland ~72: STEIMER, Peter Karl~ 33:EP ~31:19182897.9 ~32:27/06/2019

2021/09324 ~ Provisional ~54:CHARCOAL BREAKER ~71:Reabetswe, 9824 Mohlomi street, South Africa ~72: Reabetswe~

2021/09348 ~ Complete ~54:METHOD FOR ECOLOGICAL RESTORATION OF WETLAND VEGETATION BASED ON WATER ACTIVATION OF SOIL SEED BANK ~71:INSTITUTE OF NATURAL RESOURCES AND ECOLOGY, HEILONGJIANG ACADEMY OF SCIENCES, No. 103, Haping Road, Xiangfang District, People's Republic of China ~72: HAN, Dayong;HAN, Hui;HUANG, Qingyang;LUO, Chunyu;NI, Hongwei;QU, Yanting;QU,

Yi;WAN, Jifeng;WU, Yining;YANG, Fan;ZHONG, Haixiu;ZHU, Daoguang~ 33:CN ~31:202111254866.1
~32:27/10/2021

2021/09350 ~ Complete ~54:WHOLE MAIZE FLOUR AND PREPARATION METHOD THEREOF ~71:CROP RESEARCH INSTITUTE, SHANDONG ACADEMY OF AGRICULTURAL SCIENCES, No. 202, Gongye North Road, Licheng District, Jinan, People's Republic of China ~72: CHEN, Lirong;GONG, Kuijie;GUO, Yuqiu;LIU, Kaichang;WANG, Xingya~

2021/09354 ~ Complete ~54:DEVICES AND METHODS FOR PRECISION DOSE DELIVERY ~71:REGENERON PHARMACEUTICALS, INC., 777 Old Saw Mill River Road, Tarrytown, New York, 10591, United States of America ~72: ANDREW DUMONT;BRYAN GRYGUS;DANIEL HALBIG;DAVID NETT;JEREMY ODEGARD;JUSTIN BECHSTEIN;PRITHVI SINGH;RYAN AINSWORTH;SIBGAT ULLA;TASHA GILLUM;TREVOR LANGLEY~ 33:US ~31:62/857,678 ~32:05/06/2019;33:US ~31:62/860,481 ~32:12/06/2019

2021/09358 ~ Complete ~54:CLEANSING COMPOSITION ~71:UNILEVER GLOBAL IP LIMITED, Port Sunlight, Wirral, Merseyside, CH62 4ZD, United Kingdom ~72: ARASH MOHAJER MOGHADAM;JOSEPH MUSCAT;PIERRE STARCK;ROBERT GEORGE RILEY;ROBERT MACHEN~ 33:EP ~31:19181766.7
~32:21/06/2019

2021/09353 ~ Complete ~54:ANTI-CD38 ANTIBODIES AND FORMULATIONS ~71:SANOFI, 54 rue La Boë#233;tie, France ~72: CAMERON, B#233;atrice;CHIRON BLONDEL, Marielle;DUMAS, Jacques;FOURNIER, Alain;KINGSBURY, Jonathan;LEMOINE, Cendrine;MURRAY, Brian;OSTBERG, Nathan;PATKE, Sanket;VIRONE-ODDOS, Angela;ZHANG, Zichuan~ 33:US ~31:62/837,518
~32:23/04/2019;33:US ~31:62/859,699 ~32:10/06/2019;33:EP ~31:20305145.3 ~32:17/02/2020;33:EP ~31:20305146.1 ~32:17/02/2020

2021/09345 ~ Complete ~54:METHOD FOR TRANSPLANTING SWEET POTATO TISSUE-CULTURED SEEDLING WITH A HIGH SURVIVAL RATE ~71:Jiangsu Xuhuai Xuzhou Institute of Agricultural Sciences (Jiangsu Xuzhou Sweet Potato Research Center), Donghe Village, Dongjiao, Xuzhou Economic and Technological Development Zone, Gulou District, Xuzhou City, Jiangsu Province, 221000, People's Republic of China ~72: CHEN, Jingwei;GAO, Fangyuan;MA, Jukui;SUN, Houjun;TANG, Wei;XIE, Yiping;YANG, Dongjing;ZHANG, Chengling~

2021/09360 ~ Complete ~54:PREVENTION OF INFECTION BY HIGHLY PATHOGENIC VIRUSES USING TOPICAL APPLICATION OF POVIDONE-IODINE ON MUCOUS MEMBRANES ~71:FIREBRICK PHARMA LIMITED, Level 10, 440 Collins Street, Melbourne, Victoria, 3000, Australia ~72: PETER MOLLOY;STEPHEN GOODALL~ 33:AU ~31:2019902006 ~32:10/06/2019;33:AU ~31:2020900489 ~32:20/02/2020

2021/09369 ~ Complete ~54:SYSTEM AND METHOD TO IMPROVE BOILER AND STEAM TURBINE START-UP TIMES ~71:General Electric Company, 1 River Road, SCHENECTADY 12345, NY, USA, United States of America ~72: CONGIU, Francesco;GELBAR, Danny;MAMBRO, Antonio;MILLER, William~ 33:US
~31:16/819,428 ~32:16/03/2020

2021/09334 ~ Complete ~54:CLOUD PLATFORM-BASED GARLIC CROP RECOGNITION METHOD BY COUPLING ACTIVE AND PASSIVE REMOTE SENSING IMAGES ~71:Henan University, No.85 of Ming Lun Street, Shunhe District, Kaifeng, Henan, 475004, People's Republic of China ~72: QIN, Yaochen;SHEN, Wei;TIAN, Haifeng;WANG, Yongjiu;ZHOU, Boyan~ 33:CN ~31:202010995102.7 ~32:21/09/2020

2021/09367 ~ Complete ~54:ELECTROSTATICALLY DISSIPATING PROTECTIVE GLOVE ~71:UVEX SAFETY Gloves GmbH & Co. KG, Elso-Kl#246;ver-Stra#223;e 6, L#220;NEBURG 21337, GERMANY, Germany ~72: BARTUSCH, Matthias;KLOTH, Karina~ 33:DE ~31:10 2019 114 691.7 ~32:31/05/2019

2021/09323 ~ Provisional ~54:MINE SUPPORT BLOCK BLOKRITE ~71:Mining Product Developments (Pty)Ltd, 10 Vegkop Street, Noordheuwel, South Africa ~72: Frans Roelof Petrus Pienaar / Mark Howell~

2021/09341 ~ Complete ~54:AIR PLATE TYPE TOTAL HEAT RECOVERY HEAT EXCHANGER WITH ROTATING FILTER DEVICE ~71:Qingdao University of Science and Technology, No.99 Songling Road, Laoshan District, Qingdao City, Shandong Province, People's Republic of China ~72: Jia Wenguang;Liu Bingcheng;Wang Chuanwei;Yan Jinglu~

2021/09374 ~ Complete ~54:MONOCLONAL ANTIBODY THAT BINDS SPECIFICALLY TO G1TR ~71:JOINT STOCK COMPANY "BIOCAD", Liter A. Svyazi st., 34, Strelna, Petrodvortsoviy district, Russian Federation ~72: AGEEV, Sergei Andreevich;BURNYSHEVA, Ksenia Mihailovna;DORONIN, Aleksandr Nikolaevich;GORDEEV, Aleksandr Andreevich;ISHUTINOVA, Anastasia Nikolaevna;IVANOV, Roman Alekseevich;KOZLOVA, Olesya Nikolaevna;MITROSHIN, Ivan Vladimirovich;MOROZOV, Dmitry Valentioevich;SOLOVYEV, Valery Vladimirovich;SOZONOVA, Aleksandra Aleksandrovna;TSYMPILOV, Vladimir Sergeevich;ULITIN, Andrei Borisovich;USTIUGOV, Iakov Iurevich~ 33:RU ~31:2019112296 ~32:23/04/2019

2021/09319 ~ Provisional ~54:AFREXIMBANK ~71:Amram Micaih Mofomme, 888 Mabopane Block C, South Africa ~72: Amram Micaih Mofomme~ 33:AP ~31:1 ~32:01/11/2021

2021/09328 ~ Complete ~54:AN ADJUSTABLE FLOAT-CONTROLLED VALVE ~71:EDUAN-TEK VERVAARDIGINGS BK, 12 Arend Avenue, Windsor Glen, South Africa ~72: JOHANNES ALBERTUS NAUDE;JOHANNES JACOBUS NAUDE~ 33:ZA ~31:2020/07271 ~32:23/11/2020;33:ZA ~31:2020/07369 ~32:26/11/2020;33:ZA ~31:2021/00007 ~32:04/01/2021;33:ZA ~31:2021/00828 ~32:05/02/2021

2021/09343 ~ Complete ~54:BIOLOGICAL IMPROVER FOR DESERTIFICATION SOIL AND PREPARATION METHOD THEREOF ~71:Inner Mongolia Agricultural University, No.29 Ordos East Street, Saihan District, Huhhot City, Inner Mongolia Autonomous Region, People's Republic of China ~72: Bu Fanjing;Guo Yuefeng;Guo Zhenning;Qi Huijuan;Qi Wei;Shao Yufang;Sun Shixian;Teng Juntao;Wang Haoyue;Zhang Jiufei;Zhang Penghao~

2021/09356 ~ Complete ~54:CAP FOR CLOSING A CONTAINER AND ITS METHOD FOR MAKING THE CAP ~71:SACMI COOPERATIVA MECCANICI IMOLA SOCIETÀ COOPERATIVA, Via Selice Provinciale 17/A, 40026, Imola (Bologna), Italy ~72: ALESSANDRO FALZONI;VITTORIO BASSI~ 33:IT ~31:102020000003781 ~32:24/02/2020

2021/09365 ~ Complete ~54:ARC FURNACE POWER SUPPLY WITH RESONANT CIRCUIT ~71:ABB Schweiz AG, Bruggerstrasse 66, BADEN 5400, SWITZERLAND, Switzerland ~72: STEIMER, Peter Karl~ 33:EP ~31:19182898.7 ~32:27/06/2019

2021/09371 ~ Complete ~54:ANTI-SIGLEC-9 COMPOSITIONS AND METHODS FOR MODULATING MYELOID CELL INFLAMMATORY PHENOTYPES AND USES THEREOF ~71:Verseau Therapeutics, Inc., 47 Wiggins Avenue, BEDFORD 01730, MA, USA, United States of America ~72: FELDMAN, Igor;NOVOBRANTSEVA, Tatiana I.;PHENNICIE, Ryan;SAZINSKY, Stephen L.;WAHLE, Joseph A.~ 33:US ~31:62/857,194 ~32:04/06/2019;33:US ~31:62/867,577 ~32:27/06/2019;33:US ~31:63/032,292 ~32:29/05/2020

2021/09337 ~ Complete ~54:A METHOD FOR MICRO-EXTRACTION OF DNA FROM SINGLE PEPPER SEED ~71:Hubei Zhaozhi Modern Agricultural Technology Co., Ltd, Pengdian village, Songbu Town, Macheng City, Hubei Province, People's Republic of China;Industrial Crops Research Institute,Hubei Academy of Agricultural Sciences, No.43 Nanhu Road, Hongshan District, Wuhan City, Hubei Province, People's Republic of China ~72: Gao Shenghua;Li Ning;Wang Fei;Xiao Mingzhao;Yao Minghua;Yin Yanxu~

2021/09329 ~ Complete ~54:METHOD FOR REPAIRING OR IMPROVING ABSORBER TUBES WITH A LOSS OF THERMAL INSULATION OF OR FOR SOLAR THERMAL INSTALLATIONS ~71:CANCHO VERA, José Carlos, C/ Gaspar Méndez, 9 4ºD, BADAJOZ 06011, SPAIN, Spain;Cobra Instalaciones y Servicios, S.A., Cardenal Marcelo Spinola, 10, MADRID 28016, SPAIN, Spain;SÁNCHEZ MATAMOROS, Francisco, C/ Altozano, 1 1ºA, BADAJOZ 06200, SPAIN, Spain ~72: CANCHO VERA, José Carlos;SÁNCHEZ MATAMOROS, Francisco~ 33:ES ~31:P202031171 ~32:23/11/2020

2021/09357 ~ Complete ~54:WIRELESS DEVICE AND METHODS FOR MAKING AND USING THE SAME ~71:CARNIVAL CORPORATION, 3655 N.W. 87 Avenue, Miami, Florida, 33178-2428, United States of America ~72: ADAM LEONARDS;DOUGLAS STEELE;GLENN CURTIS;JOHN PADGETT;KYLE PRESTENBACK;MANNY VELLON;MICHAEL G JUNGEN;PATRICK MENDIUK;RICHARD J CRIADO;SANDER LAM;VINCE BALL~ 33:US ~31:63/005,147 ~32:03/04/2020;33:US ~31:17/067,468 ~32:09/10/2020;33:US ~31:17/111,313 ~32:03/12/2020

2021/09331 ~ Complete ~54:EM TREE NUTRIENT SOLUTION ~71:Enshi Tujia and Miao Autonomous Prefecture Forestry Academy, No. 5, Yizhong Road, Enshi City, Enshi Tujia and Miao Autonomous Prefecture, Hubei Province, 445000, People's Republic of China ~72: CHEN, Beibei;DUN, Chunyao;LI, Chunlin;LI, Shuanglong;WAN, Songsheng;WU, Daikun;XIANG, Wei;ZENG, Yong;ZHANG, Chuan~

2021/09332 ~ Complete ~54:COMPOUND CHINESE HERBAL MEDICINE FOR CHICKEN RESPIRATORY DISEASES AND PREPARATION METHOD THEREOF ~71:GANSU INSTITUTE OF ANIMAL SCIENCES, No. 143 Kongtong East Road, Kongtong District, Pingliang City, Gansu Province, 744000, People's Republic of China ~72: CHANG, Liang;GAO, Wucheng;LI, Yuanxin;MENG, Qi;ZHANG, Haiming~

2021/09361 ~ Complete ~54:DETERGENT COMPOSITION ~71:UNILEVER GLOBAL IP LIMITED, Port Sunlight, Wirral, Merseyside, CH62 4ZD, United Kingdom ~72: DAVID CHRISTOPHER THORLEY;JONATHAN BEST;JULIE BENNETT;STEPHEN NORMAN BATCHELOR~ 33:EP ~31:19183240.1 ~32:28/06/2019

2021/09322 ~ Provisional ~54:POST OFFICE TO PARLIAMENT ~71:Emily O'Ryan, Crawford, Cape Town, South Africa ~72: Emily O'Ryan;Emily O'Ryan~

2021/09340 ~ Complete ~54:TRACHEAL INSTILLATION DEVICE FOR EXPERIMENTAL ANIMAL ~71:Army Medical University, No. 30, Gaotanyan Street, Shapingba District, Chongqing, 400038, People's Republic of China ~72: CHEN, Weiyang;CUI, Ke;GUO, Chengwei;JIN, Huidong;ZENG, Yi;ZHOU, Ziyuan~

2021/09336 ~ Complete ~54:A DOOR ASSEMBLY ~71:WALTON, Richard Graham, 60 Platina Street, South Africa ~72: WALTON, Richard Graham~

2021/09378 ~ Complete ~54:COLONIC TREATMENT METHODS AND APPARATUS ~71:BORODY, Thomas Julius, Level 1, 229 Great North Road Five Dock, Australia;MILIS, Antony, 19 Marshall Street Kogarah, Australia ~72: BORODY, Thomas Julius;MILIS, Antony~ 33:US ~31:62/882,412 ~32:02/08/2019

- APPLIED ON 2021/11/23 -

2021/09387 ~ Complete ~54:EXCAVATOR BUCKET AND METHOD OF MANUFACTURING SAME ~71:WOBEN PROJECTS (PTY) LTD., 12 BRISLEY PLACE, 42 FIFTEEN ROAD, SALLIES EXTENSION 1, South Africa ~72: LEONARD, Eben~

2021/09389 ~ Complete ~54:IMAGE PREDICTION METHOD AND DEVICE ~71:Huawei Technologies Co., Ltd., Huawei Administration Building, Bantian, Longgang, SHENZHEN 518129, GUANGDONG, CHINA (P.R.C.), People's Republic of China;University of Science and Technology of China, No.96 JinZhai Road, HEFEI 230026,

ANHUI, CHINA (P.R.C.), People's Republic of China ~72: LI, Houqiang;LI, Li;LV, Zhuoyi;YANG, Haitao~ 33:CN ~31:201510543542.8 ~32:29/08/2015

2021/09401 ~ Complete ~54:MULTIFUNCTIONAL WORKBENCH FOR CIVIL ENGINEERING PRACTICE TEACHING ~71:North China University of Science and Technology, 21 Bohai Road, Caofeidian Xincheng, Tangshan, Hebei, 063210, People's Republic of China ~72: GAO, Lin;JIA, Mutian;JIANG, Nan;WANG, Kaibo;YANG, Zhinian;ZHOU, Yunlong~ 33:CN ~31:202111149368.0 ~32:29/09/2021

2021/09410 ~ Complete ~54:SPHERICAL NANO-MAGNETON WITH STABLE SOLUTION DISPERSIBILITY AND PREPARATION METHOD THEREOF ~71:Qingdao University of Science and Technology, No. 99, Songling Road, Qingdao City, Shandong Province, 266061, People's Republic of China ~72: CHEN, Chen;SUN, Mengting;WANG, Fei;ZHANG, Guodong~

2021/09415 ~ Complete ~54:EXTERNAL CORNER INSTALLATION STRUCTURE OF CURTAIN WALL AND INSTALLATION METHOD THEREOF ~71:CONSTRUCTION COMPANY OF CHINA RAILWAY NO.8 ENGINEERING GROUP CO., LTD., No. 100, North Section 2, First Ring Road, Sichuan Province, People's Republic of China ~72: DU, Liang;HU, Mian;HUANG, Lu;LEI, Qiaoqiao;LI, Huajie;PENG, Ge;RAN, Hua;RAN, Li;TANG, Wei;WANG, Guan;WANG, Zhao;XIONG, Jinlong;XU, Ronggui;ZHENG, Xuejun;ZHUANG, Dong~ 33:CN ~31:202011318343.4 ~32:23/11/2020

2021/09416 ~ Complete ~54:PREPARATION METHOD AND APPLICATION OF THE NOVEL NISIN COMPOSITE NANOPARTICLES ~71:QINGDAO AGRICULTURAL UNIVERSITY, No. 700 Changcheng Road, Chengyang District, Qingdao, People's Republic of China ~72: XU, Zhiqiang;ZHU, Yinglian~

2021/09424 ~ Complete ~54:NOVEL COMPOUNDS AND PHARMACEUTICAL COMPOSITIONS THEREOF FOR THE TREATMENT OF KIDNEY DISEASES ~71:Galapagos NV, Generaal De Wittelaan L11/A3, MECHELEN 2800, BELGIUM, Belgium ~72: BRYNS, Reginald Christophe Xavier;CHRISTOPHE, Thierry Jean-Claude Marie;CONRATH, Katja Els;VAN DER GEEST, Ronald~ 33:GB ~31:1905711.6 ~32:24/04/2019

2021/09436 ~ Complete ~54:IMPROVED PROCESS OF PREPARING MRNA-LOADED LIPID NANOPARTICLES ~71:TRANSLATE BIO, INC., 29 Hartwell Avenue, Lexington, Massachusetts, 02421, United States of America ~72: ASAD KHANMOHAMMED;ASHISH SARODE;FRANK DEROSA;MICHAEL HEARTLEIN;NATALIA VARGAS MONTOYA;PRIYAL PATEL;REBECCA L BALL;SHRIRANG KARVE;ZARNA PATEL~ 33:US ~31:62/847,837 ~32:14/05/2019

2021/09440 ~ Complete ~54:IMPROVED PROCESS FOR PRODUCING A LIQUID POTATO PRODUCT ~71:MCCAIN FOODS LIMITED, 8800 Main Street, Florenceville-Bristol, New Brunswick, E7L 1B2, Canada ~72: KIRTLEY, Nigel;LAUDANO, Raymond J.;SPIZZIRRI, Lora Nicolette;SPORS, Derek E.~ 33:US ~31:62/859,542 ~32:10/06/2019;33:US ~31:16/894,116 ~32:05/06/2020

2021/09443 ~ Complete ~54:ASSISTIVE HANDWRITING DEVICE FOR PATIENTS HAVING PARKINSON'S DISEASE ~71:Ludong University, No.186 Hongqi Middle Rd, Zhifu District, Yantai City, Shandong Province, 264025, People's Republic of China ~72: Hongwei GAO;Yingni SUN~ 33:CN ~31:202010744365.0 (CN111887585A) ~32:29/07/2020

2021/09379 ~ Provisional ~54:FENCE POST ~71:COCHRANE STEEL PRODUCTS (PTY) LTD, 125 Fitter Road, Spartan, South Africa ~72: COCHRANE, Richard Bruce~

2021/09394 ~ Complete ~54:DETECTION DEVICE FOR HEIGHT DISTRIBUTION OF PM2.5 MASS CONCENTRATION AND DETECTION METHOD THEREOF ~71:HEFEI INSTITUTES OF PHYSICAL SCIENCE,

CHINESE ACADEMY OF SCIENCES, 350 Shushanhu Road, Hefei, Anhui , 230031, People's Republic of China
~72: LIU, Dong;MA, Xiaomin;TAO, Zongming;WANG, Yingjian;WANG, Zhenzhu~

2021/09426 ~ Complete ~54:ROLLER MILL HAVING RIM ELEMENTS AND METHOD FOR SETTING AN END-FACE GAP OF THE ROLLER MILL ~71:thyssenkrupp AG, ThyssenKrupp Allee 1, ESSEN 45143 , GERMANY, Germany;thyssenkrupp Industrial Solutions AG, ThyssenKrupp Allee 1, ESSEN 45143, GERMANY, Germany
~72: SCHROERS, Frank~ 33:DE ~31:10 2019 209 511.9 ~32:28/06/2019

2021/09381 ~ Provisional ~54:AN AGGREGATE ~71:UNIVERSITY OF PRETORIA, Lynnwood Road, Hillcrest, PRETORIA 0002, SOUTH AFRICA, South Africa ~72: HOFMEYR, Stuart Grant;KEARSLEY, Elizabeth Paulina~

2021/09390 ~ Complete ~54:METHOD FOR REGULATING FLOWERING PERIOD OF HELLEBORUS HYBRIDUS IN THE SOUTH OF THE YANGTZE RIVER REGION ~71:Hangzhou Landscaping Incorporated, No. 226 Kaixuan Road, Jianggan District, Hangzhou City, Zhejiang Province, 310016, People's Republic of China;Taizhou Forestry Technology Extension Station, No. 300, Baiyunshan West Road, Jiaojiang District, Taizhou City, Zhejiang Province, 318000, People's Republic of China;Zhejiang Institute of Landscape Plants and Flowers, No. 508, Wangcun, Linpu Town, Xiaoshan District, Hangzhou City, Zhejiang Province, 311251, People's Republic of China ~72: FAN, Jing;MA, Guangying;MAO, Lihui;QIU, Zhimin;SHI, Xiaohua;ZHANG, Junlin;ZHU, Kaiyuan~

2021/09397 ~ Complete ~54:MOLECULAR MARKER AND METHOD FOR DETECTING SALMONELLA ENTERITIDIS INFECTION IN CHICKENS AND APPLICATION OF MOLECULAR MARKER ~71:Shandong Agricultural University, 61 Daizong Street, Tai'an City, Shandong Province, 271018, People's Republic of China ~72: Dong Yaning;Fan Xinzong;Hu Geng;Li Xianhao;Liu Liying;Tang Hui~ 33:CN ~31:2021101666221 ~32:04/02/2021

2021/09399 ~ Complete ~54:MODEL REFERENCE ADAPTIVE AIRCRAFT ROBUST CONTROL METHOD ~71:Beijing Institute of Technology, No. 5, South Street, Zhongguancun, Haidian District, Beijing, 100081, People's Republic of China ~72: SHI, Zhongjiao;ZHAO, Liangyu~

2021/09417 ~ Complete ~54:NANOFLUID MINIMUM QUANTITY LUBRICATION EXPERIMENTAL SYSTEM AND METHOD FOR ULTRASONIC VIBRATION ASSISTED GRINDING ~71:HANERGY (QINGDAO) LUBRICATION TECHNOLOGY CO., LTD., No. 23-6, Tianshan Third Road, Jimo District, Qingdao, People's Republic of China;QINGDAO UNIVERSITY OF TECHNOLOGY, No. 777, Jialingjiang Road, Economic and Technological Development Zone, Qingdao, People's Republic of China ~72: GAO, Teng;LI, Changhe;ZHOU, Zongming~

2021/09421 ~ Complete ~54:COMPOSITIONS COMPRISING A BACTERIAL STRAIN LACTOBACILLUS PARACASEI AND HYALURONIC ACID AND THE USE THEREOF FOR THE TREATMENT OF THE SKIN ~71:LAC2BIOME S.R.L., Via Ceresio 7, Italy ~72: BIFFI, Andrea~ 33:IT ~31:102019000008097 ~32:05/06/2019

2021/09433 ~ Complete ~54:METHOD OF RECONSTITUTING LIPOSOMAL ANNAMYCIN ~71:BOARD OF REGENTS, THE UNIVERSITY OF TEXAS SYSTEM, 210 West 7th Street, United States of America;MOLECULIN, LLC, 1973 West Clay, United States of America ~72: PICKER, Donald;PRIEBE, Waldemar~ 33:US ~31:62/868,190 ~32:28/06/2019

2021/09444 ~ Complete ~54:TENDON CONNECTORS AND SYSTEM FOR USE ~71:EQUINDON LTD., Yavne 1 3350101, Israel ~72: KAHANA, Shay;KHOURY, Bashir;MENIS, Michael~ 33:US ~31:62/851,689 ~32:23/05/2019;33:WO ~31:PCT/IB2020/054941 ~32:25/05/2020

2021/09403 ~ Complete ~54:SIMULATION EXPERIMENT DEVICE FOR WATER SUPPLY AND DRAINAGE TEACHING ~71:North China University of Science and Technology, 21 Bohai Road, Caofeidian Xincheng, Tangshan, Hebei, 063210, People's Republic of China ~72: JIA, Mutian;JIANG, Nan;MENG, Lingyi;WANG, Kaibo;YANG, Zhinian;ZHOU, Yunlong~ 33:CN ~31:202111149354.9 ~32:29/09/2021

2021/09408 ~ Complete ~54:GAS HYDRATE NANO-PROMOTER AND PREPARATION METHOD THEREOF ~71:Qingdao University of Science and Technology, No. 99, Songling Road, Qingdao City, Shandong Province, 266061, People's Republic of China ~72: CHEN, Chen;HE, Yan;LIU, Li;WANG, Fei~

2021/09413 ~ Complete ~54:METHOD FOR SPLICING GROWTH OF LARGE-SIZE MONOCRYSTAL DIAMOND ~71:Jilin University, No. 2699 Qianjin Street, Changchun City, Jilin Province, 130012, People's Republic of China;Shenzhen Research Institute of Jilin University, Room B203, South Virtual University Park, Science and Technology Park, Nanshan District, Shenzhen City, 518057, People's Republic of China ~72: DONG, Chengwei;LI, Genzhuang;LI, Liuan;LIN, Wang;LV, Xianyi;WANG, Qiliang;XIE, Wenliang;ZOU, Guangtian~ 33:CN ~31:202111195697.9 ~32:14/10/2021

2021/09430 ~ Complete ~54:METHOD AND SYSTEM FOR GEOLOCATING AN OBJECT USING A MOBILE BASE STATION ~71:Sigfox, 425, Rue Jean Rostand, LABEGE 31670, FRANCE, France ~72: GISSOT, Perrine;ISSON, Olivier;LARIGNON, Guillaume;MARTY, Renaud~ 33:FR ~31:1905636 ~32:28/05/2019

2021/09437 ~ Complete ~54:FUEL PUMP ~71:MOTOR COMPONENTS, LLC, 2243 Corning Road, Elmira Heights, New York, 14903-1031, United States of America ~72: KENNETH FRED SEAGER, SR.;MICHAEL ROBERT DEPUE~ 33:US ~31:62/854,368 ~32:30/05/2019

2021/09432 ~ Complete ~54:PREPARATION OF PRELIPOSOMAL ANNAMYCIN LYOPHILIZATE ~71:BOARD OF REGENTS, THE UNIVERSITY OF TEXAS SYSTEM, 210 West 7th Street, United States of America;MOLECULIN, LLC, 1973 West Clay, United States of America ~72: PICKER, Donald;PRIEBE, Waldemar~ 33:US ~31:62/868,184 ~32:28/06/2019

2021/09395 ~ Complete ~54:CLOUD SERVICE COMPOSITION METHOD AND PLATFORM ORIENTED TO MOLD MAKING ~71:Qingdao University of Science and Technology, 99 Songling Road, Laoshan District, Qingdao, Shandong Province, 266100, People's Republic of China ~72: HU, Qiang;HUANG, Wen;TIAN, Yuqing~

2021/09388 ~ Complete ~54:IMAGE PREDICTION METHOD AND DEVICE ~71:Huawei Technologies Co., Ltd., Huawei Administration Building, Bantian, Longgang, SHENZHEN 518129, GUANGDONG, CHINA (P.R.C.), People's Republic of China;University of Science and Technology of China, No.96 JinZhai Road, HEFEI 230026, ANHUI, CHINA (P.R.C.), People's Republic of China ~72: LI, Houqiang;LI, Li;LV, Zhuoyi;YANG, Haitao~ 33:CN ~31:201510543542.8 ~32:29/08/2015

2021/09425 ~ Complete ~54:4H-PYRROLO[3,2-C]PYRIDIN-4-ONE COMPOUNDS ~71:Bayer Aktiengesellschaft, Kaiser-Wilhelm-Allee 1, LEVERKUSEN 51373, GERMANY, Germany;Dana-Farber Cancer Institute, Inc., 450 Brookline Avenue, BOSTON 02215, MA, USA, United States of America;The Broad Institute, Inc., 415 Main Street, CAMBRIDGE 02142, MA, USA, United States of America ~72: BÖMER, Ulf;BERGER, Markus;GRAHAM, Keith;GREULICH, Heidi;KAPLAN, Bethany;KORR, Daniel;MÖNNING, Ursula;MEYERSON, Matthew;NIEHUES, Michael;SÜLZLE, Detlev;SCHRÖDER, Jens;SCHULZE, Volker;SIEGEL, Franziska;SIEGEL, Stephan~ 33:US ~31:62/838,051 ~32:24/04/2019;33:US ~31:62/940,036 ~32:25/11/2019

2021/09428 ~ Complete ~54:STRUCTURAL PROFILE FOR ELECTRICAL CABINET ~71:FRANCISQUINI, Melquisedec, Rua Duarte da Costa, 2052, COATIA 06706-060, SÃO PAULO II, BRAZIL, Brazil ~72: FRANCISQUINI, Melquisedec~ 33:BR ~31:102019010955-6 ~32:28/05/2019

2021/09435 ~ Complete ~54:RAPID ANEUPLOIDY DETECTION ~71:THE JOHNS HOPKINS UNIVERSITY, 3400 North Charles Street, Baltimore, Maryland, 21218, United States of America ~72: BERT VOGELSTEIN;CHRISTOPHER DOUVILLE;CRISTIAN TOMASETTI;KENNETH W KINZLER;NICKOLAS PAPADOPOULOS~ 33:US ~31:62/849,662 ~32:17/05/2019;33:US ~31:62/905,327 ~32:24/09/2019;33:US ~31:62/971,050 ~32:06/02/2020

2021/09442 ~ Complete ~54:METHOD OF DEPOLYMERISING PHENOLIC POLYMERS ~71:STELLENBOSCH UNIVERSITY, Admin B, Victoria Street,, South Africa ~72: PASCH, Harold;PFUKWA, Helen;SIBANDA, Ndumiso~ 33:ZA ~31:2019/02602 ~32:25/04/2019

2021/09392 ~ Complete ~54:AN ARTIFICIAL RAINFALL SIMULATION DEVICE ~71:Handan Meteorological Service Center, No.347, Heping Road, Handan, Hebei, People's Republic of China;Hebei University of Engineering, No.19, Taiji Road, Economic and Technological Development Zone, Handan, Hebei, People's Republic of China;Water Resources Office of Handan, No.66, Fuyuan Street, Hanshan District, Handan, Hebei, People's Republic of China ~72: BI, Hongkai;FENG, Junling;GAO, Haoyue;HE, Lixin;LIAN, Qiuyan;LIU, Hongliang;LUAN, Qinghua;WANG, Hongfeng;WANG, Ying~

2021/09419 ~ Complete ~54:HETEROAROMATIC INHIBITORS OF ASTACIN PROTEINASES ~71:VIVORYON THERAPEUTICS N.V., Weinbergweg 22, Germany ~72: BUCHHOLZ, Mirko;CYNIS, Holger;RAMSBECK, Daniel;SCHILLING, Stephan;SCHLENZIG, Dagmar;TAN, Kathrin~ 33:EP ~31:19180240.4 ~32:14/06/2019

2021/09431 ~ Complete ~54:IMMUNO-ONCOLOGY THERAPY USING ISOFLAVONE COMPOUNDS ~71:Noxopharm Limited, PO Box 292, GORDON 2072, NEW SOUTH WALES, AUSTRALIA, Australia ~72: KELLY, Graham;LACZKA, Olivier~ 33:AU ~31:2019902518 ~32:17/07/2019

2021/09400 ~ Complete ~54:BUILDING FIREPROOF THERMAL INSULATION MATERIAL PRODUCING AND PROCESSING DEVICE ~71:North China University of Science and Technology, 21 Bohai Road, Caofeidian Xincheng, Tangshan, Hebei, 063210, People's Republic of China ~72: MAO, Zhen;YANG, Zhinian;ZHOU, Yunlong~ 33:CN ~31:202111025898.4 ~32:02/09/2021

2021/09409 ~ Complete ~54:STRANDING CAGE TYPE NATURAL GAS HYDRATE CONTINUOUS REACTION APPARATUS ~71:Qingdao University of Science and Technology, No. 99, Songling Road, Qingdao City, Shandong Province, 266061, People's Republic of China ~72: CHAO, Kun;CHEN, Chen;WANG, Fei;ZHANG, Guodong~

2021/09414 ~ Complete ~54:MULTI-ANGLE DYNAMIC IMAGE ACQUISITION EQUIPMENT FOR POULTRY FARMING AND ENVIRONMENTAL MONITORING ~71:ANHUI SCIENCE AND TECHNOLOGY UNIVERSITY, NO.9 DONGHUA ROAD, People's Republic of China;TIANCHANG GOLDEN FEATHER POULTRY INDUSTRY CO., LTD., BIANONG VILLAGE, People's Republic of China ~72: JIN, ERHUI;LI, SHENGHE;REN, MAN;YE, SHENGSHAN;ZHAO, CHUNFANG~

2021/09427 ~ Complete ~54:BEATER PLATE FOR BEATER MILL ASSEMBLY ~71:General Electric Technology GmbH, Brown Boveri Strasse 7, BADEN 5400, SWITZERLAND, Switzerland ~72: CALLA, Eklavya;K, Anand;KRISHNENDU, Aditya;SAI RAMCHANDRA RAO, Indraganti Satya~ 33:IN ~31:201911021420 ~32:30/05/2019

2021/09384 ~ Provisional ~54:PORTABLE HANGBOARD ~71:Dylan Alexander Nosworthy, 59 Savannah Sands, Galloway Ave, Douglasdale, Johannesburg, Gauteng, 2091, South Africa ~72: Dylan Alexander Nosworthy~

2021/09386 ~ Provisional ~54:FRICTION ARRANGEMENT ~71:Trellidor Innovations (Pty) Ltd, t/a Taylor Blinds and Shutters, 10 Hoist Ave, South Africa ~72: Patrick BOOTH-JONES~

2021/09405 ~ Complete ~54:TRAINING SYSTEM FOR CARDIOPULMONARY-CEREBRAL RESUSCITATION BASED ON VIRTUAL SIMULATION ~71:North China University of Science and Technology, 21 Bohai Road, Caofeidian Xincheng, Tangshan, Hebei, 063210, People's Republic of China ~72: BO, Haimei;CHENG, Guang;LI, Jianmin;ZHANG, Jingxi;ZHAO, Jihua~ 33:CN ~31:202110972101.5 ~32:24/08/2021

2021/09406 ~ Complete ~54:ENHANCEMENT METHOD AND SYSTEM FOR LOW ILLUMINATION IMAGE ~71:Changchun University of Science and Technology, No.7186, Weixing Road, Chaoyang District, Changchun, Jilin Province, 130022, People's Republic of China;Changchun University of Science and Technology Chongqing Research Institute, No.7186, Weixing Road, Chaoyang District, Changchun, Jilin Province, 130022, People's Republic of China ~72: CHEN, Zhanfang;JIANG, Xiaoming;ZHANG, Yingchao~

2021/09411 ~ Complete ~54:PREPARATION METHOD OF COMPOSITE STRUCTURAL SENSOR USED FOR DETECTING CLENBUTEROL HYDROCHLORIDE ~71:Jilin University, No.2699 Qianjin Street, Changchun City, Jilin Province, 130012, People's Republic of China ~72: CHENG, Shaoheng;GAO, Nan;LI, Hongdong;LI, Liu~33:an;LIU, Junsong;MA, Zicheng;WANG, Qiliang~

2021/09418 ~ Complete ~54:APPARATUS, METHOD OR COMPUTER PROGRAM FOR GENERATING AN OUTPUT DOWNMIX REPRESENTATION ~71:FRAUNHOFER-GESELLSCHAFT ZUR FÖRDERUNG DER ANGEWANDTEN FORSCHUNG E.V., HANSASTRASSE 27C, 80686 MÜNCHEN, GERMANY, Germany ~72: FOTOPOULOU, Eleni;MULTRUS, Markus;REUTELHUBER, Franz~ 33:EP ~31:19170621.7 ~32:23/04/2019;33:EP ~31:PCT/EP2019/070376 ~32:29/07/2019

2021/09439 ~ Complete ~54:METHOD AND SYSTEM FOR VISUALISING COLOCALISED FLUORESCENCE SIGNALS ~71:STELLENBOSCH UNIVERSITY, Admin B, Victoria Street, South Africa ~72: LOOS, Benjamin;NIESLER, Thomas Richard;THEART, Rensu Petrus~ 33:ZA ~31:2019/02511 ~32:23/04/2019

2021/09383 ~ Provisional ~54:TILTING ARRANGEMENT ~71:Trellidor Innovations (Pty) Ltd, t/a Taylor Blinds and Shutters, 10 Hoist Ave, South Africa ~72: Patrick BOOTH-JONES~

2021/09391 ~ Complete ~54:LONG AND SHORT ANCHOR CABLE COORDINATED ENERGY-ABSORBING AND YIELDING DEVICE AND CONSTRUCTION METHOD ~71:China University of Mining and Technology, No 1, Daxue Road, Xuzhou, Jiangsu, 221116, People's Republic of China ~72: CHEN, Yanlong;LI, Weiteng;LIU, Jiangfeng;LU, Yinlong;MENG, Qingbin;WANG, Gang;WANG, Hongtao;WANG, Qi;WU, Jianguyu;ZHOU, Yuejin~

2021/09398 ~ Complete ~54:HIGH-STRENGTH CREEP-RESISTANT HEAT-RESISTANT STEEL ~71:Tianjin University of Technology and Education, Tianjin University of Technology and Education, 1310 Dagu South Road, Jinnan District, Tianjin, 300222, People's Republic of China ~72: DENG, Xiaohu;GUO, Dong;LI, Min;LIN, Maomao;QU, Zhouda~

2021/09402 ~ Complete ~54:FIREPROOF BOARD LAMINATING DEVICE FOR BUILDING WALLS ~71:North China University of Science and Technology, 21 Bohai Road, Caofeidian Xincheng, Tangshan, Hebei, 063210, People's Republic of China ~72: CHEN, Kaijiang;DONG, Haosong;YANG, Zhinian;ZHOU, Yunlong~ 33:CN ~31:202111078600.6 ~32:15/09/2021

2021/09420 ~ Complete ~54:MODIFIED DOSAGE OF SUBCUTANEOUS TOCILIZUMAB FOR RHEUMATOID ARTHRITIS ~71:REGENERON PHARMACEUTICALS, INC., 777 Old Saw Mill River Road, Tarrytown, United States of America;SANOFI BIOTECHNOLOGY, 54 rue la Boétie, France ~72: CHEN, Chieh-I;WEI, Wenhui~ 33:US ~31:62/860,611 ~32:12/06/2019;33:EP ~31:20305192.5 ~32:27/02/2020

2021/09422 ~ Complete ~54:LACTOBACILLUS COMPOSITIONS AND USES THEREOF ~71:PROBI AB, Ideongatan 1A, Sweden ~72: SVENSSON, Michael~ 33:GB ~31:1908706.3 ~32:18/06/2019

2021/09385 ~ Provisional ~54:LOCKING ARRANGEMENT ~71:Trellidor Innovations (Pty) Ltd, t/a Taylor Blinds and Shutters, 10 Hoist Ave, South Africa ~72: Patrick BOOTH-JONES~

2021/09396 ~ Complete ~54:METHOD FOR REMEDIATION OF POLYCYCLIC AROMATIC HYDROCARBONS-CONTAMINATED SOIL ~71:Yanbian University, 977 Gongyuan Road, Yanji City, Yanbian Korean Autonomous Prefecture, Jilin Province, 133002, People's Republic of China ~72: LI, Guangchun;YAN, Han~

2021/09380 ~ Provisional ~54:FIXED ASSETS INSURANCE ~71:Huma Kamogelo Jackson, Stan 675, magatle village, South Africa ~72: Jay EX Company~

2021/09393 ~ Complete ~54:ELECTRIC CURRENT PULSE STRESS RELIEF CLAMPING DEVICE ~71:Shanghai Maritime University, 1550 Haigang Avenue, Nanhui, Pudong, Shanghai, People's Republic of China ~72: Bangping Gu;Dejian Sun;Guangnian Xiao;Junshuo Wang;Li Zhao;Wei Wang;Weichen Shi;Yang Shen;Zhensheng Yang;Zhipeng Huo~ 33:CN ~31:202111281825.1 ~32:08/11/2021

2021/09404 ~ Complete ~54:THE PREPARATION OF A HYALURONIC ACID-BASED SEQUENTIAL TARGETING FUNCTIONAL FACTOR DELIVERY SYSTEM AND ITS APPLICATION IN INFLAMMATORY BOWEL DISEASE ~71:Dalian Polytechnic University, No. 1 Qinggongyuan, Ganjingzi District, Dalian, Liaoning, 116034, People's Republic of China ~72: Jiakuan LI;Long YUAN;Mingqian TAN;Shanshan TIE;Shikui WU;Xuedi ZHANG;Yannan CHEN~ 33:CN ~31:202110728066.2 ~32:29/06/2021

2021/09407 ~ Complete ~54:FUSION ENCRYPTION METHOD BASED ON MULTI CHAOTIC SYSTEM ~71:Changchun University of Science and Technology, No.7186, Weixing Road, Chaoyang District, Changchun, Jilin Province, 130022, People's Republic of China;Changchun University of Science and Technology Chongqing Research Institute, No.7186, Weixing Road, Chaoyang District, Changchun, Jilin Province, 130022, People's Republic of China ~72: CHEN, Zhanfang;JIANG, Xiaoming;YANG, Ya~

2021/09412 ~ Complete ~54:METHOD FOR IMPROVING QUALITY OF SPLICING SEAM OF DIAMOND MONOCRYSTAL GROWN BY SPLICING METHOD ~71:Jilin University, No. 2699 Qianjin Street, Changchun City, Jilin Province, 130012, People's Republic of China;Shenzhen Research Institute of Jilin University, Room B203, South Virtual University Park, Science and Technology Park, Nanshan District, Shenzhen City, 518057, People's Republic of China ~72: LI, Genzhuang;LI, Hongdong;LI, Liuan;LV, Xianyi;WANG, Qiliang;ZOU, Guangtian~ 33:CN ~31:202111195819.4 ~32:14/10/2021

2021/09382 ~ Provisional ~54:PHOSPHORUS RECOVERY AND SYNGAS GENERATION FROM BIOWASTE ~71:MINTEK, 200 Malibongwe Drive, South Africa ~72: BANDA, Wesley Kondwani;GELDENHUYS, Isabella Johanna;KEKANA, Thokozile Penelope;MATINDE, Elias;REYNOLDS, Quinn Gareth;XAKALASHE, Buhle Sinaye~

2021/09434 ~ Complete ~54:DETERMINING ACTIVITY SWATH FROM MACHINE-COLLECTED WORKED DATA ~71:FARMOBILE LLC, 4001 W. 114th St., Suite 300, Leawood, Kansas, 66211-2602, United States of America ~72: DANIEL MOLA;JOSHUA FREUDENHAMMER~ 33:US ~31:16/418,632 ~32:21/05/2019

2021/09423 ~ Complete ~54:WEARABLE HUMAN-MACHINE INTERFACE AND METHOD WHICH CAN BE CARRIED OUT USING SAME ~71:HUMAIN SOLUTIONS UG (HAFTUNGSBESCHR#196;NKT), An der Dorfstrasse 3, Germany ~72: GEIER, Andreas;SATHE, Prathamesh Prasad;TUCKER, Rawleigh Cosmo Young~

2021/09429 ~ Complete ~54:DIRECT REDUCTION PROCESS UTILIZING HYDROGEN ~71:Midrex Technologies, Inc., 3735 Glen Lake Drive, Suite 400, CHARLOTTE 28208, NC, USA, United States of America ~72: ASTORIA, Todd Michael;BARSTOW-COX, Keith Marshall;CINTRON, Enrique Jose;HUGHES, Gregory Darel~ 33:US ~31:62/857,843 ~32:06/06/2019

2021/09438 ~ Complete ~54:PYRIDO-PYRIMIDIN DERIVATIVES AND PHARMACEUTICAL COMPOSITION, FOR USE IN PREVENTING OR TREATING PI3 KINASE RELATED DISEASES, COMPRISING SAME AS ACTIVE INGREDIENT ~71:BORYUNG PHARMACEUTICAL CO., LTD, 136, Changgyeonggung-ro Jongno-Gu, Seoul, 03127, Republic of Korea ~72: DEOK MO YANG;HAK DO KIM;HEE JIN LEE;SEONG GUK LEE;SEONG HEON KIM;SUK HO LEE;WON KEN CHOUNG~ 33:KR ~31:10-2019-0058895 ~32:20/05/2019

2021/09441 ~ Complete ~54:LIQUIFIED POTATO PRODUCT AND PROCESS ~71:MCCAIN FOODS LIMITED, 8800 Main Street, Florenceville-Bristol, New Brunswick, E7L 1B2, Canada ~72: KIRTLEY, Nigel;LAUDANO, Raymond J.;SPORS, Derek E.~ 33:US ~31:62/859,542 ~32:10/06/2019;33:US ~31:16/894,095 ~32:05/06/2020

- APPLIED ON 2021/11/24 -

2021/09465 ~ Complete ~54:INTERNET OF THINGS-BASED INTELLIGENT AGRICULTURAL SYSTEM ~71:Qingdao Agricultural University, 700 Changcheng Road, Chengyang District, Qingdao City, Shandong Province, 266109, People's Republic of China ~72: GUO, Qi~

2021/09506 ~ Complete ~54:STEERABLE DELIVERY APPARATUS FOR AN IMPLANTABLE MEDICAL DEVICE ~71:Edwards Lifesciences Corporation, One Edwards Way, IRVINE 92614, CA, USA, United States of America ~72: MURAD, Michael C.~ 33:US ~31:63/007,470 ~32:09/04/2020

2021/09462 ~ Complete ~54:RECYCLED SELF-FILLER MATERIAL AND PREPARATION METHOD THEREOF ~71:Jiangsu Vocational Institute of Architectural Technology, 26 Xueyuan Road, Quanshan District, Xuzhou City, Jiangsu Province, 221116, People's Republic of China ~72: DU, Bin;HUANG, Yong;WANG, Junqiang~

2021/09467 ~ Complete ~54:ACID SOIL CONDITIONER AND PREPARATION METHOD AND APPLICATION THEREOF ~71:Shandong Academy of Agricultural Sciences, 202 Gongye North Road, Licheng District, Jinan, Shandong, 250100, People's Republic of China ~72: DONG, Xiaoxia;MA, Zheng;SHEN, Yuwen;YANG, Zhengtao;ZHENG, Fuli~

2021/09485 ~ Complete ~54:A MACHINE TOOL WITH CUTTING TOOL AS MAIN MOVEMENT AND WORKING METHOD ~71:NINGBO SANHAN ALLOY MATERIAL CO., LTD., No. 333, LianTang Road, Binhai Cixi Economic Development Zone, Ningbo, People's Republic of China;QINGDAO UNIVERSITY OF TECHNOLOGY, No. 777, Jialingjiang Road, Economic and Technological Development Zone, Qingdao, People's Republic of China ~72: HONG, Huaping;LI, Changhe;LI, Runze;WU, Xifeng~

2021/09517 ~ Complete ~54:PHA TERPOLYMER COMPOSITIONS ~71:MEREDIAN, INC., 140 Industrial Boulevard, Bainbridge, Georgia, 39817, United States of America ~72: JOE B. III GRUBBS;PHILLIP VAN TRUMP;RICHARD EATON~ 33:US ~31:62/852,443 ~32:24/05/2019

2021/09470 ~ Complete ~54:PREPARATION METHOD OF SPHERICAL AMMONIUM PERCHLORATE AND COMPOSITE PARTICLES THEREOF ~71:Hubei Institute of Aerospace Chemical Technology, #58 Qinghe Road, Fancheng District, Xiangyang City, Hubei Province, People's Republic of China;Nanjing University of Science and Technology, #200, Xiaolingwei Street, Xuanwu District, Nanjing City, Jiangsu Province, People's Republic of China ~72: Bei Yiyang;Chen Ling;He Narenchaogetu;Li Fengsheng;Liu Jie;Sun Sensen;Wang Deqi;Wu Shixi~

2021/09484 ~ Complete ~54:WALNUT SHELL BREAKING DEVICE, WALNUT WHOLE KERNEL DEVICE AND METHOD ~71:INNER MONGOLIA UNIVERSITY FOR NATIONALITIES, No. 536, Huolinhe Street, Horqin District, Tongliao, People's Republic of China;QINGDAO UNIVERSITY OF TECHNOLOGY, No. 777, Jialingjiang Road, Economic and Technological Development Zone, Qingdao, People's Republic of China ~72: JIANG, Zhiyong;LI, Changhe;LIU, Mingzheng;ZHAO, Huayang~

2021/09487 ~ Complete ~54:MIMIMUM QUANTITY LUBRICATION INTELLIGENT SPRAYER-HEAD SYSTEM OF CNC HORIZONTAL LATHE BASED ON THREE-AXIS PARALLEL PLATFORM ~71:HANERGY (QINGDAO) LUBRICATION TECHNOLOGY CO., LTD., No. 23-6, Tianshan Third Road, Jimo District, Qingdao, People's Republic of China;QINGDAO UNIVERSITY OF TECHNOLOGY, No. 777, Jialingjiang Road, Economic and Technological Development Zone, Qingdao, People's Republic of China ~72: KONG, Ming;LI, Changhe;LI, Runze;YANG, Min;ZHOU, Zongming~

2021/09496 ~ Complete ~54:METHOD FOR FLOTATION OF A SILICATE-CONTAINING IRON ORE WITH A CATIONIC COLLECTOR ~71: BASF SE, CARL BOSCH STRASSE 38, 67056 LUDWIGSHAFEN AM RHEIN, GERMANY, Germany ~72: BUDEMBERG, Gabriela;DREBOV, Nedko, Stefanov;ERNST, Martin;KUELZER, Tamara;MICHAILOVSKI, Alexej;PANCHENKO, Alexander;PHAN, Long;VON KROG, Sylvia;ZIPFEL, Hannes, Ferdinand~ 33:EP ~31:19171801.4 ~32:30/04/2019

2021/09507 ~ Complete ~54:DISPLAY DEVICE FOR MULTI-ANGLE VIEWING OF INDUSTRIAL DESIGN PRODUCT ~71:ZHEJIANG UNIVERSITY, No.866, Yuhangtang Road, Xihu District, Hangzhou, People's Republic of China ~72: WANG, Xiaosong;WU, Haotian~ 33:CN ~31:202111217080.2 ~32:19/10/2021

2021/09512 ~ Complete ~54:METHOD FOR GUT MUCOSA PREPARATION TO ENHANCE MICROBIAL ENGRAFTMENT ~71:BORODY, Thomas Julius, Level 1, 229 Great North Road Five Dock, Australia;MILIS, Antony, 19 Marshall Street Kogarah, Australia ~72: BORODY, Thomas Julius;MILIS, Antony~ 33:US ~31:62/873,032 ~32:11/07/2019

2021/09499 ~ Complete ~54:IDENTIFICATION AND SELECTION OF A PLANT STARTING MATERIAL OF A PLANT CHONDROITIN SULFATE AND HYALURONIC ACID, AND TRANSFORMATION OF SUCH PLANT STARTING MATERIAL TO OBTAIN INGREDIENTS FOR USE IN FOODS, SUPPLEMENTS, MEDICAL DEVICES OR DRUGS ~71:VIVATIS PHARMA GMBH, Grüner Deich 1-3, Germany ~72: BOS, Peter;CERANA, Giorgio Stefano~ 33:IT ~31:102019000008409 ~32:07/06/2019

2021/09466 ~ Complete ~54:ROS STIMULATED RESPONSIVE ASTAXANTHIN NANOPARTICLE AND ITS PREPARATION METHOD AND APPLICATION ~71:Dalian Polytechnic University, No. 1 Qinggongyuan, Ganjingzi District, Dalian, Liaoning, 116034, People's Republic of China ~72: Kangjing LIU;Long YUAN;Mingqian TAN;Xiaoting YU;Xuedi ZHANG;Yannan CHEN~ 33:CN ~31:202110816654.1 ~32:20/07/2021

2021/09475 ~ Complete ~54:HARPINF PROTEIN AND USE THEREOF IN INDUCTION OF RESISTANCE OF POPULUS x CANADENSIS MOENCH POPLAR TO BACTERIAL CANKER ~71:Shandong Agricultural University, 61 Daizong Street, Taishan District, Tai'an City, Shandong Province, 271018, People's Republic of China ~72: CHEN, Rong;DIAO, Yufei;JIN, Jiyang;LIU, Huixiang;REN, Yuchen;WANG, Haiming;WANG, Yongli;XIONG, Xiong;YU, Chengming;ZHANG, Zhen~

2021/09514 ~ Complete ~54:CRYSTALLINE FORM OF SOFPIRONIUM BROMIDE AND PREPARATION METHOD THEREOF ~71:BRICKELL BIOTECH, INC., 5777 Central Avenue, Suite 102, Boulder, Colorado, 80301, United States of America;KAKEN PHARMACEUTICAL CO., LTD., 28-8, Honkomagome 2-chome, Bunkyo-ku, Tokyo, 1138650, Japan ~72: HERBERT R BRINKMAN;KAZUYOSHI MARUBAYASHI;MASAHITO WATANABE~ 33:US ~31:62/851,880 ~32:23/05/2019

2021/09518 ~ Complete ~54:IMIDAZOPYRIMIDINES AS EED INHIBITORS AND THE USE THEREOF ~71:THE REGENTS OF THE UNIVERSITY OF MICHIGAN, Office Of Technology Transfer 1600 Huron Parkway, 2nd Floor, Ann Arbor, Michigan, 48109-2590, United States of America ~72: CHANGWEI WANG;CHAO-YIE YANG;ESTER FERNANDEZ-SALAS;JEANNE STUCKEY;JIANFENG LU;MI WANG;ROHAN REJ;SHAOMENG WANG~ 33:US ~31:62/874,606 ~32:16/07/2019;33:US ~31:62/944,608 ~32:06/12/2019

2021/09447 ~ Provisional ~54:AN ADJUSTABLE SKILLS MEASUREMENT REBOUNDER WALL ~71:Gary Crookes, 597 Andries Strydom Street Constantia Park Pretoria 0181, South Africa ~72: Gary Crookes~

2021/09452 ~ Complete ~54:FRUIT VIBRATION GRADING EQUIPMENT ~71:INNER MONGOLIA UNIVERSITY FOR NATIONALITIES, No. 536, Huolinhe Street, Horqin District, Tongliao, People's Republic of China;QINGDAO UNIVERSITY OF TECHNOLOGY, No. 777, Jialingjiang Road, Economic and Technological Development Zone, Qingdao, People's Republic of China ~72: LI, Changhe;LIU, Mingzheng;WANG, Leyi;ZHAO, Huayang~

2021/09455 ~ Complete ~54:A SQUEEZING AND SHEARING TYPE WALNUT SHELL BREAKING DEVICE AND METHOD ~71:QINGDAO UNIVERSITY OF TECHNOLOGY, No. 777, Jialingjiang Road, Economic and Technological Development Zone, Qingdao, People's Republic of China;XINJIANG JIANG NING LIGHT INDUSTRIAL MACHINERY ENGINEERING TECHNOLOGY CO., LTD., Room 301, 3rd Floor, No.303, Yinxing Street, Urumqi, People's Republic of China ~72: CHE, Ji;LI, Changhe;LI, Kang;LIU, Mingzheng~

2021/09458 ~ Complete ~54:PROCESSING HAZARDOUS URBAN WASTE WATER ~71:WASTE REFINING SYSTEMS (PTY) LTD, OLD PAARL ROAD, KLAPMUTS, STELLENBOSCH, 7625, SOUTH AFRICA, South Africa ~72: SALOMONS, Peter;SCHOEMAN, Lu, Raubenheimer~ 33:ZA ~31:2021/00187 ~32:12/01/2021

2021/09469 ~ Complete ~54:SEALED PLANT FERMENTED INDIGO VAT ~71:SHANDONG UNIVERSITY OF SCIENCE AND TECHNOLOGY, No. 579 QianWangang Road, Huangdao District, Qingdao, Shandong, 266590, People's Republic of China ~72: QIN, Zhen;ZHANG,Lin~ 33:CN ~31:202110498502.1 ~32:08/05/2021

2021/09493 ~ Complete ~54:VETERINARY BROMHEXINE HYDROCHLORIDE SOLUBLE POWDER AND PREPARATION METHOD AND USE THEREOF ~71:QINGDAO BOLIN BIOLOGICAL TECHNOLOGY CO., LTD., Room 605, Building 27, Shandong University International Industrial Park, 669 Huadong Road, High-tech Zone, Shandong Province, People's Republic of China;QINGDAO CENTER FOR ANIMAL DISEASE CONTROL AND PREVENTION, No. 791, Guangshui Road, Licang District, Shandong, People's Republic of China ~72: GUO, Lili;LI, Yan;ZHAO, Yongda~

2021/09495 ~ Complete ~54:METHOD AND APPARATUS FOR RANDOM ACCESS ~71:TELEFONAKTIEBOLAGET LM ERICSSON (PUBL), SE-164 83 STOCKHOLM, SWEDEN, Sweden ~72: HARRISON, Robert, Mark;LI, Jingya;LIN, Zhipeng~ 33:CN ~31:PCT/CN2019/084614 ~32:26/04/2019

2021/09500 ~ Complete ~54:DEVICES AND METHODS FOR SECURING PROSTHETIC IMPLANTS WITHIN A PATIENT'S VASCULATURE ~71:Edwards Lifesciences Corporation, One Edwards Way, IRVINE 92614, CA, USA, United States of America ~72: BUKIN, Michael;CARMi, Adi;GUROVICH, Nikolay;MANASH, Boaz~ 33:US ~31:63/030,811 ~32:27/05/2020

2021/09461 ~ Complete ~54:INTEGRATED BIOLOGICAL DENITRIFICATION DEVICE AND APPLICATION METHOD THEREOF ~71:Yangjiang Polytechnic, No.213 Dongshan Road, Jiangcheng District, Yangjiang City, Guangdong Province, People's Republic of China ~72: Chen Xinghan;Li Yanping;Lu Wangti;Si Yuanyuan;Tang Haiyao;Wang Lijiao~

2021/09468 ~ Complete ~54:METHOD FOR IDENTIFYING IMPACT DAMAGE REGION APPLICABLE TO CANTILEVER BEAM AND DEVICE THEREOF ~71:SHANDONG UNIVERSITY OF SCIENCE AND TECHNOLOGY, No. 579 Qianwangang Road, Huangdao District, Qingdao, Shandong Province, 266590, People's Republic of China ~72: LIU, Bing;LIU, Qi;WANG, Fengde;YAO, Yan'an~ 33:CN ~31:202011349488.0 ~32:26/11/2020

2021/09483 ~ Complete ~54:A GREEN COMPOSITION FOR PREVENTING AND TREATING AFRICAN SWINE FEVER ~71:BEIJING GREAT WORLD LVKANG EDUCATION CONSULTING GROUP CO., LTD, A1-0055, 1, Building 4, No. 75, Suzhou Street Haidian District, Beijing, People's Republic of China ~72: WEI LIU;WEN XIAO~

2021/09489 ~ Complete ~54:A METHOD FOR DESINGING AND SYNTHESIZING CARBAZOLE BASED NOVEL MULTIFUNCTIONAL AGENTS AS POTENTIAL ANTI-ALZHEIMER AGENTS ~71:GUSAIN, Siddharth, Bioorganic Chemistry Lab, Dr. B. R. Ambedkar Centre for Biomedical Research, University of Delhi, India;KUMARI, Shikha, Bioorganic Chemistry Lab, Dr. B. R. Ambedkar Centre for Biomedical Research, University of Delhi, India;MISHRA, Chandrabhushan, Department of Pharmacology and Chemical Biology, Baylor College of Medicine, Houston, United States of America;SHALINI, Shruti, Bioorganic Chemistry Lab, Dr. B. R. Ambedkar Centre for Biomedical Research, University of Delhi, India;TIWARI, Manisha, Bioorganic Chemistry Lab, Dr. B. R. Ambedkar Centre for Biomedical Research, University of Delhi, India;VARMA, Diksha Awadhesh, Bioorganic Chemistry Lab, Dr. B. R. Ambedkar Centre for Biomedical Research, University of Delhi, India ~72: KUMARI, Shikha;MISHRA, Chandrabhushan;TIWARI, Manisha~

2021/09505 ~ Complete ~54:ENDOVASCULAR DELIVERY APPARATUS HAVING VARIABLE LENGTH BALLOON ~71:Edwards Lifesciences Corporation, One Edwards Way, IRVINE 92614, CA, USA, United States of America ~72: BIALAS, Michael R.;HICKS, Kristen;LEE, Walter;MURAD, Michael C.~ 33:US ~31:63/009,072 ~32:13/04/2020

2021/09513 ~ Complete ~54:SYSTEM AND METHOD FOR INCORPORATING SPACE AND DEVICE-BASED RULES ENGINE IN AN IOT ENVIRONMENT(ACL) ~71:GOOEE LIMITED, Trident House Ground Floor, Trident House, Victoria Street, St. Albans AL1 3HZ, United Kingdom ~72: LOURDES MOLINA MORAN;LYLE SCOTT;RIGEL KEN TRAJANO;SHMUEL SILVERMAN;SIMON COOMBES~ 33:US ~31:62/838,732 ~32:25/04/2019

2021/09482 ~ Complete ~54:ENVIRONMENTAL PROTECTION AND ENERGY SAVING SUPER DIESEL OIL FORMULATION FOR TREATING SMOG, AND PRODUCTION METHOD THEREOF ~71:QINGDAO YONGQUANHUA ENERGY TECHNOLOGY CO. LTD, Renaissance International Building A, Jimo District, Qingdao City, Shandong Province, People's Republic of China ~72: JIANPENG HAN;KAI HAN~

2021/09494 ~ Complete ~54:METHODS AND APPARATUSES FOR CONFIGURATION OF MONITORING FOR TERMINAL DEVICE ~71:TELEFONAKTIEBOLAGET LM ERICSSON (PUBL), SE-164 83 STOCKHOLM, SWEDEN, Sweden ~72: GAN, Juying;MERINO VAZQUEZ, Emiliano;WASS, Mikael;XU, Wenliang~ 33:CN ~31:PCT/CN2019/085329 ~32:30/04/2019

2021/09464 ~ Complete ~54:EMPLOYMENT-MANAGING SYSTEM ~71:Qingdao Agricultural University, 700 Changcheng Road, Chengyang District, Qingdao City, Shandong Province, 266109, People's Republic of China ~72: GUO, Qi~

2021/09473 ~ Complete ~54:AN INTEGRATED POSITIONING SYSTEM AND METHOD FOR PEOPLE IN DISASTER-PRONE AREAS ~71:Institute of Geological Natural Disaster Prevention, Gansu Academy of Sciences, Room 404, No. 636 Paihong South Road, Chengguan District, Lanzhou City, Gansu Province, People's Republic of China ~72: LIU Hanze;LIU Xiaohua~

2021/09478 ~ Complete ~54:DETECTION DEVICE FOR REACTION OF H₂O, CO₂ AND COKE ~71:North China University of Science and Technology, 21 Bohai Road, Caofeidian Xincheng, Tangshan, Hebei, 063210, People's Republic of China ~72: LI, Hongwei;LI, Hongyang;LI, Jianpeng;LI, Xin;LIU, Xiaojie;LV, Qing;ZHANG, Zhifeng~

2021/09486 ~ Complete ~54:MICRO LUBRICATION MULTI DEGREE OF FREEDOM INTELLIGENT NOZZLE SYSTEM BASED ON CNC MILLING MACHINE ~71:NINGBO SANHAN ALLOY MATERIAL CO., LTD., No. 333,

LianTang Road,BinHai Cixi Economic Development Zone, Ningbo, People's Republic of China;QINGDAO UNIVERSITY OF TECHNOLOGY, No. 777, Jialingjiang Road, Economic and Technological Development Zone, Qingdao, People's Republic of China ~72: HONG, Huaping;LI, Changhe;SUN, Jingang~

2021/09501 ~ Complete ~54:VIRAL VECTORS AND THEIR USE IN ADOPTIVE CELLULAR THERAPY ~71:Immatics US, Inc., 2201 W. Holcombe Blvd., Suite 205, HOUSTON 77030, TX, USA, United States of America ~72: BULLIARD, Yannick;KALRA, Mamta;MATA, Melinda~ 33:US ~31:62/853,123 ~32:27/05/2019

2021/09511 ~ Complete ~54:METHOD AND DEVICE FOR TESTING THE CONTENT OF RESIDUAL CARBON DIOXIDE GAS IN CARBON DIOXIDE-CURED RECYCLED AGGREGATE ~71:SHAOXING UNIVERSITY, No.508 Huancheng West Road, Yuecheng District, Shaoxing, Zhejiang, 312000, People's Republic of China ~72: GAO, Yueqing;HE, Zhihai;HOU, Shaodan;LI, Ran;LIANG, Chaofeng;TIAN, Yuan;YANG, Jincheng~

2021/09503 ~ Complete ~54:AAV VECTORS WITH MYELIN PROTEIN ZERO PROMOTER AND USES THEREOF FOR TREATING SCHWANN CELL-ASSOCIATED DISEASES LIKE CHARCOT-MARIE-TOOTH DISEASE ~71:The Cyprus Foundation for Muscular Dystrophy Research, 6 International Airport Avenue, NICOSIA 2370, CYPRUS, Cyprus ~72: KAGIAVA, Alexia;KLEOPA, Kleopas;SARGIANNIDOU, Irene;SCHIZA, Natasa~ 33:GB ~31:1907882.3 ~32:03/06/2019

2021/09449 ~ Provisional ~54:INTEGRATED TRANSPORT MANAGEMENT SYSTEM ~71:MULTI-LANGUAGE PROJECTS CC, 247 Boom Street, South Africa ~72: MJACU, Benny~

2021/09450 ~ Complete ~54:STAMPING MOULD AND SYSTEM FOR CARBON FIBER COMPOSITE DOUBLE HOLE CONNECTOR ~71:HANERGY (QINGDAO) LUBRICATION TECHNOLOGY CO., LTD., No. 23-6, Tianshan Third Road, Jimo District, Qingdao, People's Republic of China;QINGDAO UNIVERSITY OF TECHNOLOGY, No. 777, Jialingjiang Road, Economic and Technological Development Zone, Qingdao, People's Republic of China ~72: LI, Changhe;LI, Wenyi;ZHANG, Yanbin;ZHOU, Zongming~

2021/09463 ~ Complete ~54:METHOD FOR IDENTIFYING THE GEOGRAPHICAL ORIGIN OF PEANUT OIL BY THE RAMAN SPECTRAL FINGERPRINTING TECHNIQUE ~71:Qingdao Agricultural University, No. 700, Changcheng Road, Chengyang District, Qingdao City, Shandong Province, People's Republic of China ~72: Pang Bin;Yang Qingli;Zhao Haiyan;Zhu Pengfei~

2021/09472 ~ Complete ~54:METHOD FOR SUPPLEMENTING LIGHT WITH RED LIGHT TO PROMOTE TOMATO FRUIT DEVELOPMENT AND LYCOPENE ACCUMULATION ~71:Shenzhen Hortiright CO.,LTD., No. 1, MABU DI ER INDUSTRIAL PARK, SHIYAN, BAO'AN, SHENZHEN, 518108, People's Republic of China ~72: Liu Houcheng;Yang Xiong~

2021/09490 ~ Complete ~54:CONSTRUCTION METHOD FOR MIRROR CONCRETE WITH WOODEN POLYPROPYLENE-COATED FLAT FORMWORK ~71:CHINA RAILWAY NO.8 ENGINEERING GROUP CO., LTD., No. 68 Jinke East Road, Jinniu District, Chengdu, People's Republic of China;NO.3 ENGINEERING COMPANY OF CHINA RAILWAY NO.8 ENGINEERING GROUP CO., LTD., No. 1 Jiancai Alley, Chaoyangdong Road, Nanming District, Guiyang, People's Republic of China ~72: CHEN, Xiaohong;GONG, Sikun;GUO, Xiangwu;LIU, Jiayin;TANG, Jianhe;WANG, Zhi;WANG, Zhiyong;XI, Liping;YU, Huazhong;ZHANG, Xiongzha;ZHAO, Daiqiang;ZHAO, Zhi;ZHOU, Xiaolin~ 33:CN ~31:202011327154.3 ~32:24/11/2020

2021/09502 ~ Complete ~54:AUTONOMOUS VEHICLE MONITORING ~71:Sandvik Mining and Construction Oy, Pihtisulunkatu 9, TAMPERE 33330, FINLAND, Finland ~72: PUURA, Jussi;VON ESSEN, Tomi~ 33:EP ~31:19180435.0 ~32:17/06/2019

2021/09516 ~ Complete ~54:CONTROLLED RELEASE BIODEGRADABLE COATINGS FOR SEEDS AND FERTILIZERS ~71:MEREDIAN, INC., 140 Industrial Boulevard, Bainbridge, Georgia, 39817, United States of America ~72: ADAM JOHNSON;JOE B. III GRUBBS;PHILLIP VAN TRUMP~ 33:US ~31:62/852,440 ~32:24/05/2019

2021/09457 ~ Complete ~54:RAILWAY TRUCK ASSEMBLY HAVING I-BEAM COMPONENTS ~71:AMSTED RAIL COMPANY, INC., 311 South Wacker, Suite 5300, United States of America ~72: MONACO, Jay, P.;TONNIES, Joshua, E;WIKE, Paul, Steven~ 33:US ~31:62/698,358 ~32:16/07/2018

2021/09474 ~ Complete ~54:METHOD FOR PREPARING HIGH-AIR-PERMEABILITY MOISTURE-PROOF GUMMED PAPER AND APPLICATION THEREOF ~71:Guangning Zhengda Special Paper Co., Ltd., High-tech Industrial Park, Guangning County, Zhaoqing City, Guangdong Province, 526300, People's Republic of China ~72: DONG, Fu;DONG, Fudian;DONG, Yeqing;FANG, Shangren~

2021/09481 ~ Complete ~54:ENVIRONMENTAL PROTECTION AND ENERGY SAVING AND SUPER GASOLINE FORMULATION FOR TREATING SMOG, AND PRODUCTION METHOD THEREOF ~71:QINGDAO YONGQUANHUA ENERGY TECHNOLOGY CO. LTD, Renaissance International Building A, Jimo District, Qingdao City, Shandong Province, People's Republic of China ~72: JIANPENG HAN;KAI HAN~

2021/09504 ~ Complete ~54:SUBSTITUTED PYRIDAZINONES AS HERBICIDES ~71:Syngenta Crop Protection AG, Rosentalstrasse 67, BASEL 4058, SWITZERLAND, Switzerland ~72: DRUAIS-LEFEVRE, Valerie;FINNEY, John;KITSIOU, Christiana;LING, Kenneth;MATHEWS, Christopher John;SEDEN, Peter Timothy;SHANAHAN, Stephen Edward~ 33:GB ~31:1910291.2 ~32:18/07/2019

2021/09509 ~ Complete ~54:MULTI-STAGED COOLING AND PURIFYING DEVICE FOR CRACKING OIL AND GAS ~71:NIUTECH ENVIRONMENT TECHNOLOGY CORPORATION, 4804, Greenland Puli Center, Gongqingtuan Road, Shizhong District, Jinan, Shandong, 250000, People's Republic of China ~72: LIU Ping;NIU Bin;WANG Dalong;WU Yuanxu;ZHANG Guangzhen;ZHAO Fengjiao~ 33:CN ~31:202111174073.9 ~32:09/10/2021

2021/09476 ~ Complete ~54:CEMENT-BASED COMPOSITE MATERIAL USING IRON TAILINGS AND PREPARATION METHOD THEREOF ~71:Northeastern University, NO. 3-11, Wenhua Road, Heping District, Shenyang, Liaoning Province, 110819, People's Republic of China ~72: GU, Xiaowei;LI, Xiaohui;WANG, Hao;ZHANG, Weifeng~

2021/09446 ~ Provisional ~54:TOY CONSTRUCTION KIT ~71:SCHULZ, Harald Martin, 16 Limpopo Road,, EMMARENTIA, Johannesburg 2029, Gauteng, SOUTH AFRICA, South Africa ~72: ROHLAND, Charles John Max;SCHULZ, Eva Marion;SCHULZ, Harald Martin~

2021/09453 ~ Complete ~54:TILTING TYPE LIFTING AND STIR-FRYING WALNUT KERNELS TO REMOVE RED SKIN DEVICE BASED ON ELECTROMAGNETIC HEATING ~71:QINGDAO UNIVERSITY OF TECHNOLOGY, No. 777, Jialingjiang Road, Economic and Technological Development Zone, Qingdao, People's Republic of China;XINJIANG JIANG NING LIGHT INDUSTRIAL MACHINERY ENGINEERING TECHNOLOGY CO., LTD., Room 301, 3rd Floor, No.303, Yinxing Street, Urumqi, People's Republic of China ~72: CHE, Ji;LI, Changhe;LIU, Mingzheng;XU, Wenhao~

2021/09454 ~ Complete ~54:A WALNUT EXTRUSION CRACK SYSTEM AND METHOD BASED ON ACCURATE SELF-POSITIONING ~71:QINGDAO UNIVERSITY OF TECHNOLOGY, No. 777, Jialingjiang Road, Economic and Technological Development Zone, Qingdao, People's Republic of China;XINJIANG JIANG NING LIGHT INDUSTRIAL MACHINERY ENGINEERING TECHNOLOGY CO., LTD., Room 301, 3rd Floor, No.303, Yinxing Street, Urumqi, People's Republic of China ~72: CHE, Ji;LI, Changhe;LIU, Mingzheng;ZHANG, Xiaotian~

2021/09459 ~ Complete ~54:BALL-TYPE TRIPOD UNIVERSAL COUPLING ~71:Qingdao University of Science and Technology, No. 99, Songling Road, Laoshan District, Qingdao City, Shandong Province, 266061, People's Republic of China ~72: JIANG, Jingwei;SI, Mingqing;YANG, Fuqin;YU, Jianping~

2021/09471 ~ Complete ~54:METHOD FOR MAKING HIGH-STRENGTH ADHESIVE TAPE PAPER AND APPLICATION THEREOF ~71:Guangning Zhengda Special Paper Co., Ltd., High-tech Industrial Park, Guangning County, Zhaoqing City, Guangdong Province, 526300, People's Republic of China ~72: DONG, Fu;DONG, Fudian;DONG, Yeqing;FANG, Shangren~

2021/09491 ~ Complete ~54:A SYSTEM FOR A COMPUTERIZED POULTRY CONFIGURATION FRAMEWORK FOR THE REGULATION OF REAL-TIME SMART POULTRY ~71:BHATTACHARJEE, Pratik, Assistant Professor, Department of Computational Science, Brainware University, Address: 398, Ramkrishnapur Road, Barasat, Near Jagadighata Market, Kolkata, India;BISWAS, Suparna, Associate Professor, Department of Computer Science and Engineering, Maulana Abul Kalam Azad University of Technology, Address: Haringhata, Nadia, India;BOSE, Rajesh, Associate Professor Department of Computational Science Brainware University, Address: 398, Ramkrishnapur Road, Barasat, Near Jagadighata Market, Kolkata, India;CHATTOPADHYAY, Samiran, Professor, Department of Information Technology Jadavpur University Salt Lake Campus Address: LB - 8, Sector - 3 Salt Lake, India;CHOWDHURY, Chandreyee, Associate professor Department of Computer Science and Engineering Jadavpur University, Address: Jadavpur, India;DEY, Raktim Kumar, Assistant Professor, Department of Cyber Science and Technology, Brainware University, Address: 398, Ramkrishnapur Road, Barasat, Near Jagadighata Market, Kolkata, India;GHOSH, Malay, Livestock Consultant, Madanpur, North 24, India;MONDAL, Haraprasad, Assistant Professor, Dibrugarh University Institute of Engineering and Technology, Dibrugarh university, Dibrugarh, India;ROY, Sandip, Associate Professor and HOD Department of Computational Science Brainware University Address : 398, Ramkrishnapur Road, Barasat, Near Jagadighata Market, Kolkata, India ~72: BHATTACHARJEE, Pratik;BISWAS, Suparna;BOSE, Rajesh;CHATTOPADHYAY, Samiran;CHOWDHURY, Chandreyee;DEY, Raktim Kumar;GHOSH, Malay;MONDAL, Haraprasad;ROY, Sandip~

2021/09492 ~ Complete ~54:HIGH-STABILITY DOUBLE-HOOK CRANE ~71:SHANDONG JIANZHU UNIVERSITY, Fengming Road, Lingang Development Zone, Licheng District, Shandong Province, People's Republic of China ~72: AN, Hong;LI, Wenhao;WANG, Shengchun~

2021/09515 ~ Complete ~54:PLA / PHA BIODEGRADABLE COATINGS FOR SEEDS, FERTILIZERS AND PESTICIDES ~71:MEREDIAN, INC., 140 Industrial Boulevard, Bainbridge, Georgia, 39817, United States of America ~72: JASON JOHN LOCKLIN;JOE B. III GRUBBS~ 33:US ~31:62/852,433 ~32:24/05/2019

2021/09480 ~ Complete ~54:NOVEL URBAN WETLAND PLANNING AND DESIGN METHOD ~71:China Institute of Water Resources and Hydropower Research, No. 20 Chegongzhuang West Road, Haidian District, Beijing, 100044, People's Republic of China;China Three Gorges Corporation, No. 1 Yuyuantan South Road, Haidian District, Beijing, 100038, People's Republic of China ~72: GONG, Jianguo;LIU, Zhiwu;WANG, Hao;WANG, Menghan;WANG, Ying;YE, Yuntao~

2021/09479 ~ Complete ~54:METHOD FOR OPEN-PIT COAL MINING PLAN OPTIMIZATION BASED ON ENDOGENOUS VARIABLES OF CAPITAL CONSTRUCTION INVESTMENT ~71:Northeastern University, NO. 3-11, Wenhua Road, Heping District, Shenyang, Liaoning Province, 110819, People's Republic of China ~72: GU, Xiaowei;KONG, Wenyan;WANG, Hao;WANG, Qing;XU, Xiaochuan~

2021/09448 ~ Provisional ~54:ARMED DOOR LATCH CATCHER ~71:Marius de Wet de Villiers, Distillery road, Oude Molen, Stellenbosch, 7600, South Africa ~72: Marius de Wet de Villiers~

2021/09451 ~ Complete ~54:INDENT SELF-POSITIONING LONG-DIAMETER STRIKING TYPE SHELL BREAKING AND WHOLE KERNEL TAKING EQUIPMENT AND METHOD FOR HIGH-EXPOSED-KERNEL

WALNUTS ~71:INNER MONGOLIA UNIVERSITY FOR NATIONALITIES, No. 536, Huolinhe Street, Horqin District, Tongliao,, People's Republic of China;QINGDAO UNIVERSITY OF TECHNOLOGY, No. 777, Jialingjiang Road, Economic and Technological Development Zone, Qingdao, People's Republic of China ~72: LI, Changhe;LIU, Mingzheng;WANG, Xiaoming;ZHAO, Huayang~

2021/09445 ~ Provisional ~54:ZYTEC RETAIL REWARDS CHECKOUT SYSTEM ~71:Kennett Technical Services cc t/a Zytec Electronic Systems, Unit 66, Hazy Ridge, 9 Swallow Lane, South Africa ~72: Barrie Charles Kennett~

2021/09456 ~ Complete ~54:INTEGRATED DEVICE, SYSTEM AND METHOD INTEGRATING MATERIAL SHELL REMOVING AND FRICTION TYPE CLEANING ~71:INNER MONGOLIA UNIVERSITY FOR NATIONALITIES, No. 536, Huolinhe Street, Horqin District, Tongliao,, People's Republic of China;QINGDAO UNIVERSITY OF TECHNOLOGY, No. 777, Jialingjiang Road, Economic and Technological Development Zone, Qingdao, People's Republic of China ~72: LI, Changhe;LIU, Mingzheng;ZHAO, Huayang~

2021/09460 ~ Complete ~54:CUTTING ROBOT BASED ON WEED IDENTIFICATION AND OPERATING SYSTEM THEREOF ~71:Baicheng Normal University, NO.57 Zhongxing West Road, Taobei District, Baicheng City, Jilin Province, People's Republic of China ~72: Chu Guangli;Cong Jianmin;Gu Lijun;Li Wenwen;Li Yue;Liu Yang;Ning Guangxu;Wang Gang;Wang Haiyang;Yang Haotian~

2021/09498 ~ Complete ~54:METHODS FOR PRODUCING C2 TO C5 PARAFFINS USING A HYBRID CATALYST COMPRISING A HIGH ACIDITY MICROPOROUS COMPONENT ~71:DOW GLOBAL TECHNOLOGIES LLC, 2211 H.H. Dow Way, Midland, United States of America ~72: CHOJECKI, Adam;DEWILDE, Joseph F.;KIRILIN, Alexey;MALEK, Andrzej;NIESKENS, Davy L.S.;POLLEFEYT, Glenn~ 33:US ~31:62/851,999 ~32:23/05/2019

2021/09519 ~ Complete ~54:METHOD FOR CREATING STATISTICS ON CONTENT OF ROCK DEBRIS IN CONGLOMERATE RESERVOIR ~71:CHINA UNIVERSITY OF PETROLEUM (EAST CHINA), No. 66, Changjiang West Road, Economic and Technological Development Zone, Qingdao, People's Republic of China ~72: CHEN, Sirui;QU, Xiyu;YAO, Xiutian~ 33:CN ~31:201910309461.X ~32:17/04/2019

2021/09497 ~ Complete ~54:ANTISENSE RNA EDITING OLIGONUCLEOTIDES COMPRISING CYTIDINE ANALOGS ~71:PROQR THERAPEUTICS II B.V., Zernikedreef 9, Netherlands;THE REGENTS OF THE UNIVERSITY OF CALIFORNIA, 1111 Franklin Street, 12th Floor, United States of America ~72: BEAL, Peter;DOHERTY, Erin, E.;KEMMEL, Cherie, Paige;TURUNEN, Janne, Juha;VAN SINT FIET, LENKA~ 33:US ~31:62/860,843 ~32:13/06/2019

2021/09477 ~ Complete ~54:LARGE-DOPING-AMOUNT SOLID WASTE-BASED ALKALI-ACTIVATED FOAMED CONCRETE AND PREPARATION METHOD THEREOF ~71:Northeastern University, No. 3-11, Wenhua Road, Heping District, Shenyang, Liaoning Province, 110819, People's Republic of China ~72: GAO, Yuxin;GU, Xiaowei;LI, Xiaohui;LIU, Jianping;LIU, Peng;WANG, Hao~

2021/09508 ~ Complete ~54:PROCESS AND DEVICE FOR SECONDARY TREATMENT OF PYROLYTIC CARBON BLACK ~71:NIUTECH ENVIRONMENT TECHNOLOGY CORPORATION, 4804, Greenland Puli Center, Gongqingtuan Road, Shizhong District, Jinan, Shandong, 250000, People's Republic of China ~72: HAN Guoqian;WANG Dalong;YU Aili;ZHANG Guangzhen;ZHONG Suili;ZHOU Chen~ 33:CN ~31:202111174075.8 ~32:09/10/2021

2021/09488 ~ Complete ~54:EXPERIMENTAL SYSTEM AND METHOD OF SPEED AND SIZE EFFECT IN SINGLE ABRASIVE GRINDING UNDER DOFFERENT LUBRICATION CONDITIONS ~71:HANERGY (QINGDAO) LUBRICATION TECHNOLOGY CO., LTD., No. 23-6, Tianshan Third Road, Jimo District, Qingdao,

People's Republic of China;QINGDAO UNIVERSITY OF TECHNOLOGY, No. 777, Jialingjiang Road, Economic and Technological Development Zone, Qingdao, People's Republic of China ~72: CUI, Xin;LI, Changhe;LI, Runze;ZHOU, Zongming~

2021/09510 ~ Complete ~54:DEVICE FOR TREATING ILMENITE ORE BY USING PYROLYSIS PRODUCTS OF SOLID WASTES ~71:NIUTECH ENVIRONMENT TECHNOLOGY CORPORATION, 4804, Greenland Puli Center, Gongqingtuan Road, Shizhong District, Jinan, Shandong, 250000, People's Republic of China ~72: NIU, Xiaochuan;NIU, Xiaolu;SU, Bo;ZHANG, Guangzhen;ZHAO, Fengjiao;ZHAO, Jianqiang~ 33:CN ~31:202111174074.3 ~32:09/10/2021

- APPLIED ON 2021/11/25 -

2021/09520 ~ Provisional ~54:FLEXIBLE OPEN AND CLOSE CLIP USED TO HOOK AND UNHOOK NET FROM A WIRE OR CABLE ~71:Kevin Toucher, P1 of 10 Grootvallei 941, P548, Petrusstroom Road, Midmar Dam, South Africa ~72: KEVIN RICHARD TOUCHER~ 33:ZA ~31:1 ~32:24/11/2021

2021/09531 ~ Complete ~54:METHOD FOR PREPARING BARIUM SULFATE CRYSTAL WITH CONTROLLABLE MORPHOLOGY ~71:Tianjin University of Science and Technology, No. 1038, Dagu South Road, Hexi District, Tianjin, 300222, People's Republic of China ~72: HUI, Zhenping;JIAO, Tianyi;SHI, Yuhan;WANG, Xiacong;YANG, Xiyue;ZHANG, Xiaoqi;ZHANG, Yanjuan~

2021/09545 ~ Complete ~54:DEVICE AND METHOD FOR TESTING COMPRESSION AMOUNT OF PILE BODY OF ROCK-SOCKETED CAST-IN-PLACE PILE ~71:QINGDAO UNIVERSITY OF TECHNOLOGY, No. 777, Jialingjiang East Road, Huangdao District, Qingdao, Shandong, 266520, People's Republic of China ~72: BAI, Xiaoyu;FANG, Xiang;LI, Cuicui;SANG, Songkui;WANG, Zhongsheng;YAN, Jun;YAN, Nan;ZHANG, Changtai;ZHANG, Mingyi;ZHANG, Qijun;ZHANG, Yamei~

2021/09551 ~ Complete ~54:VEHICLE VERIFICATION SYSTEM AND VERIFICATION METHOD ~71:Jiangsu Police Institute, No.48, Third Palace, Shifo Temple, Dingshan Subdistrict, Pukou District, Nanjing City, Jiangsu Province, People's Republic of China ~72: Chang Zhenghui;Gong Pengfei~

2021/09573 ~ Complete ~54:PRMT5 INHIBITORS ~71:LUPIN LIMITED, Kalpataru Inspire, 3rd Floor, Off Western Express Highway, India ~72: GUDADE, Ganesh Bhausahab;KAMBOJ, Rajender Kumar;KULKARNI, Chaitanya Prabhakar;LAGAD, Dipak Raychand;NAIR, Prathap Sreedharan;PALLE, Venkata P.;PAWAR, Chetan Sanjay;SINDKHEDKAR, Milind Dattatraya;TRYAMBAKE, Mahadeo Bhaskar~ 33:IN ~31:201921022971 ~32:10/06/2019;33:IN ~31:201921022972 ~32:10/06/2019

2021/09584 ~ Complete ~54:TEAD INHIBITORS AND USES THEREOF ~71:Ikena Oncology, Inc., 645 Summer Street, Suite 101, BOSTON 02210, MA, USA, United States of America ~72: CASTRO, Alfredo C.~ 33:US ~31:62/855,082 ~32:31/05/2019;33:US ~31:62/928,931 ~32:31/10/2019;33:US ~31:62/944,567 ~32:06/12/2019;33:US ~31:63/025,219 ~32:15/05/2020

2021/09528 ~ Complete ~54:TAPERED FIBER ACCELERATION SENSOR SYSTEM ~71:SHANDONG UNIVERSITY OF SCIENCE AND TECHNOLOGY, No.579 Qianwangang Road, Huangdao District, Qingdao, Shandong Province, 266590, People's Republic of China ~72: CHEN, Shaojie;DA, Yuxin;FAN, Guotao;GUO, Weiyao;HAO, Lei;HUANG, Haipeng;LI, Qinghai;LIU, Qi;LIU, Xianglin;QIAN, Yunyun;WANG, Fengnian;WANG, Shuai;WANG, Zhengshuai;YANG, Yuyu;ZHAO, Yongqiang;ZHU, Lei~

2021/09539 ~ Complete ~54:A HOT-EVENT DETECTION METHOD UTILIZING THE CONVOLUTIONAL NEURAL NETWORK (CNN) AND THE KEYWORD CLUSTERING ~71:QINGDAO UNIVERSITY, 308 Ningxia

Road, Qingdao, Shandong Province, 266071, People's Republic of China ~72: HE, Ying;YANG, Tianjiao;YUN, Hongyan;ZHANG, Xiuhua;ZHENG, Xin~

2021/09555 ~ Complete ~54: TOPOGRAPHIC SURVEYING AND MAPPING DEVICE FOR URBAN AND RURAL PLANNING ~71: Zhengzhou University of Aeronautics, No. 15, Wenyuan West Road, Zhengdong New District, Zhengzhou City, Henan Province, People's Republic of China ~72: Lijuan Zhu;Meng Luo;Shuaibin Liu;Xiaomeng Fan;Zhenxing Tang~ 33:CN ~31:202110247854.X ~32:06/03/2021

2021/09569 ~ Complete ~54: A SYSTEM FOR A COMPUTERIZED POULTRY CONFIGURATION FRAMEWORK FOR THE REGULATION OF REAL-TIME SMART POULTRY ~71: BHATTACHARJEE, Pratik, Department of Computational Science, Brainware University, 398, Ramkrishnapur Road, Barasat, Near Jagadighata Market, West Bengal, India; BISWAS, Suparna, Department of Computer Science and Engineering, Maulana Abul Kalam Azad University of Technology, Haringhata, West Bengal, India; BOSE, Rajesh, Department of Computational Science Brainware University, 398, Ramkrishnapur Road, Barasat, Near Jagadighata Market, West Bengal, India; CHATTOPADHYAY, Samiran, Department of Information Technology Jadavpur University Salt Lake Campus, LB - 8, Sector - 3 Salt Lake, India; CHOWDHURY, Chandreyee, Department of Computer Science and Engineering Jadavpur University, Jadavpur, India; DEY, Raktim Kumar, Department of Cyber Science and Technology, Brainware University, 398, Ramkrishnapur Road, Barasat, Near Jagadighata Market, West Bengal, India; GHOSH, Malay, Madanpur, North 24, India; MONDAL, Haraprasad, Dibrugarh University Institute of Engineering and Technology, Dibrugarh university, Dibrugarh, India; ROY, Sandip, Department of Computational Science Brainware University, 398, Ramkrishnapur Road, Barasat, Near Jagadighata Market, West Bengal, India ~72: BHATTACHARJEE, Pratik; BISWAS, Suparna; BOSE, Rajesh; CHATTOPADHYAY, Samiran; CHOWDHURY, Chandreyee; DEY, Raktim Kumar; GHOSH, Malay; MONDAL, Haraprasad; ROY, Sandip~

2021/09580 ~ Complete ~54: [((1R,2S,5R)-2-ISOPROPYL-5-METHYL-CYCLOHEXANECARBONYL)-AMINO]-ACETIC ACID ISOPROPYL ESTER FOR TREATMENT OF CHRONIC COUGH ~71: Axalbio SA, EPFL Innovation Park, bâtiment C, c/o Fondation EPFL Innovation Park, LAUSANNE 1015, SWITZERLAND, Switzerland ~72: POIROT, Olivier; WOODCOCK, Ashley~ 33:GB ~31:1908219.7 ~32:10/06/2019

2021/09597 ~ Complete ~54: METHOD FOR STABILIZING THE PH OF AN AQUEOUS COMPOSITION COMPRISING A DRUG ~71: OCULIS SA, EPFL Innovation Park, Building D, 1015 Lausanne, Switzerland ~72: THORSTEINN LOFTSSON; ZOLTÁN FÜLÖP~ 33:EP ~31:19183719.4 ~32:01/07/2019; 33:EP ~31:20174202.0 ~32:12/05/2020

2021/09527 ~ Complete ~54: ADSORPTION PAD FOR DOUBLE-SIDED POLISHING OF THIN WAFER AND PRODUCTION METHOD ~71: ANHUI HECHEN NEW MATERIAL CO.,LTD., Factory No. 1, Standardized Workshop, Laoxiahe East Road, Hexian Economic Development Zone, Ma'anshan City, Anhui Province, 238200, People's Republic of China ~72: LI, Jiahai; TAN, Hong~

2021/09546 ~ Complete ~54: MULTI-PROCESS EVAPORATIVE CONDENSER ~71: Shandong Jianzhu University, No. 1000, Fengming Road, Lingang Development Zone, Licheng District, Jinan City, Shandong Province, 250101, People's Republic of China ~72: CUI, Ping; KONG, Lingjian; QU, Yunxia; YANG, Luopeng; ZHANG, Linhua~

2021/09550 ~ Complete ~54: SHAPE MEMORY ALLOY-BASED MULTI-TEMPERATURE-STEP CONTROL DEVICE AND CONTROL METHOD ~71: Chengdu University of Technology, No.1 Dongsan Road, Erxian Bridge, Chengdu, Sichuan, 610051, People's Republic of China ~72: CHEN, Tianxiang; LIU, Lei; REN, Xinyue; XU, Huikai; YANG, Bowen; ZHAO, Shenyuan~

2021/09565 ~ Complete ~54: A RETRACTABLE BARRIER ~71: DE BEER, JANNIE, 2 FONTEIN STREET, South Africa ~72: DE BEER, Jannie~ 33:ZA ~31:2020/06364 ~32:14/10/2020

2021/09591 ~ Complete ~54:AN ELECTRODE ASSEMBLY FOR ELECTROCHEMICAL PROCESSES
~71:PERMASCAND AKTIEBOLAG, Folkets Husägen 50, 840 10 Ljungaverk, Sweden ~72: CHRISTIAN
ALMROTH;ERIK ZIMMERMAN;JOHN GUSTAVSSON;PER MAGNUS SJÖDELL~ 33:EP ~31:19177908.1
~32:03/06/2019

2021/09529 ~ Complete ~54:EMULSION STABILIZED BY LIPOSOME AND PREPARATION METHOD
THEREOF ~71:Qingdao Agricultural University, 700 Changcheng Road, Chengyang District, Qingdao City,
Shandong Province , 266109, People's Republic of China ~72: PU, Chuanfen;SUN, Yue;TANG, Wenting~

2021/09540 ~ Complete ~54:WASTE EXPANDED POLYSTYRENE/POLYANILINE COMPOSITE
ANTICORROSIVE COATING AND PREPARATION METHOD THEREOF ~71:Tianjin University of Science and
Technology, No. 1038, Dagu South Road, Hexi District, Tianjin, 300222, People's Republic of China ~72: HUI,
Zhenping;JIAO, Tianyi;WANG, Xiacong;YANG, Xiyue;ZHANG, Hongfeng;ZHANG, Xiaoqi~

2021/09549 ~ Complete ~54:LOST FOAM COATING AND USE THEREOF ~71:Beijing Wenshui Jiangyuan
Coating Technology Co., Ltd, Room 513, Block 2, 5th Floor, Building 1, No.19 Xianlongshan Road, Haidian
District, Beijing, 100091, People's Republic of China ~72: QIN, Dandan;TENG, Junwei~

2021/09554 ~ Complete ~54:SIMULATION METHOD FOR FIXED-POINT RUB-IMPACT BETWEEN MULTIPLE
BLADES OF ROTOR AND CASING CONSIDERING CASING DEFORMATION ~71:Foshan University, #33
Guang-yun-lu, Shishan, Nanhai, Foshan, Guangdong, 528225, People's Republic of China;Hunan University of
Science and Technology, No. 2 Shimatou, Yuhu District, Xiangtan, Hunan, 411100, People's Republic of China
~72: BIN, Guangfu;GUO, Shuaiping;LI, Hongguang;XIAO, Dongming;YANG, Dalian;ZHANG, Shuo~

2021/09564 ~ Complete ~54:MEASURING DEVICE AND METHOD FOR ACCUMULATION CHARACTERISTICS
OF CAVED GANGUE IN GOB WITH GOB-SIDE ENTRY RETAINING ~71:Linyi University, West side of north
section of Gongye Avenue, Lanshan District, Linyi City, Shandong Province, 276000, People's Republic of China
~72: Jia Chuanyang;Liu Keming;Song Xiaoyuan;Sun Xizhen;Wang Hailong;Zhang Guibin~ 33:CN
~31:202111323007.3 ~32:10/11/2021

2021/09568 ~ Complete ~54:COAL ANALYSIS METHOD AND SYSTEM ~71:UNIVERSITY OF
JOHANNESBURG, Cnr Kingsway Avenue and University Road, Auckland Park, JOHANNESBURG 2006,
SOUTH AFRICA, South Africa ~72: ANDREW, Richard Charles;BALLESTRERO, Sergio;CONNELL, Simon
Henry;COOK, Martin Nkululeko Hogan;NEMAKHAVHANI , Thendo Emmanuel~ 33:ZA ~31:2020/05271
~32:25/08/2020

2021/09579 ~ Complete ~54:LIQUEFIED GAS STORAGE VESSEL FOR INTERMODAL TRANSPORT
~71:Rektor LNG d.o.o., Palisina 74, PULA HR-52100, CROATIA, Croatia ~72: JOSIP, Peranic~

2021/09587 ~ Complete ~54:GLUCAGON-LIKE PEPTIDE 1 RECEPTOR AGONISTS ~71:Eli Lilly and Company,
Lilly Corporate Center, INDIANAPOLIS 46206-6288, IN, USA, United States of America ~72: COATES, David
Andrew;FIELDS, Todd;HO, Joseph Daniel;QU, Fucheng~ 33:US ~31:62/868,117 ~32:28/06/2019;33:US
~31:62/904,906 ~32:24/09/2019

2021/09589 ~ Complete ~54:DEVICES AND SYSTEMS FOR DOCKING A HEART VALVE ~71:Edwards
Lifesciences Corporation, One Edwards Way, IRVINE 92614, CA, USA, United States of America ~72: BAKER,
Yara;DESROSIERS, John J.;DUONG, Uyen;GERARD, Robert James;GUPTA, Avina;O'DELL, Tyler
Dale;RODRIGUEZ, Alison Louise;ROMERO, Anthony Michael;ROSEN, Izaak;SCHAFFER, Andrew
Paul;ZAMANI, Shahram~ 33:US ~31:62/991,687 ~32:19/03/2020;33:US ~31:63/137,619 ~32:14/01/2021

2021/09593 ~ Complete ~54:DETERGENT COMPOSITION ~71:UNILEVER GLOBAL IP LIMITED, Port Sunlight, Wirral, Merseyside, CH62 4ZD, United Kingdom ~72: DAVID CHRISTOPHER THORLEY;JONATHAN BEST;JULIE BENNETT;STEPHEN NORMAN BATCHELOR~ 33:EP ~31:19183331.8 ~32:28/06/2019

2021/09596 ~ Complete ~54:HUMANIZED ANTIBODY MOLECULES TO CD138 AND USES THEREOF ~71:VISTERRA, INC., 275 2nd Avenue 4th Floor Waltham, Massachusetts , 02451, United States of America ~72: ANDREW M WOLLACOTT;BHARAT CHAGANTY;BOOPATHY RAMAKRISHNAN;HEDY ADARI-HALL;JAMES R MYETTE;KARTHIK VISWANATHAN;ZACHARY SHRIVER~ 33:US ~31:62/862,457 ~32:17/06/2019;33:US ~31:63/035,323 ~32:05/06/2020

2021/09522 ~ Provisional ~54:FLOATING BARRIER ~71:COCHRANE STEEL PRODUCTS (PTY) LTD, 125 Fitter Road, Spartan, South Africa ~72: TBA~

2021/09533 ~ Complete ~54:FUNDUS CAMERA ~71:BEIJING ZHENHEALTH TECHNOLOGY CO., LTD., Room 709, Building 1, Courtyard 1, Longyu Middle Street, Changping District, Beijing, 100085, People's Republic of China ~72: DING, Hongchang;LIU, Peng;WANG, Bin;WANG, Xiantao;WANG, Yong;ZHANG, Dongdong~

2021/09524 ~ Complete ~54:WAXLESS PAD FOR SEMICONDUCTOR POLISHING AND PRODUCTION METHOD ~71:ANHUI HECHEN NEW MATERIAL CO.,LTD., Factory No. 1, Standardized Workshop, Laoxiahe East Road, Hexian Economic Development Zone, Ma'an City, Anhui Province, 238200, People's Republic of China ~72: LI, Jiahai;TAN, Hong~

2021/09537 ~ Complete ~54:ECOLOGICAL CONCRETE BASED ON MARINE SOLID WASTE AND PREPARATION METHOD THEREOF ~71:Beibu Gulf University, No. 12, Binhai Avenue, Binhai New City, Qinzhou City, Guangxi Province, People's Republic of China ~72: Huang Huansheng;Jiang Qiongmeng;Ling Bin;Ning Zuojun;Sun Yanzeng;Yang Haiwei;Zheng Xiumei;Zou Ye~

2021/09543 ~ Complete ~54:HEATING SYSTEM FOR SOLAR GREENHOUSE ~71:Institute of Urban Agriculture, Chinese Academy of Agricultural Sciences, B1-2, D Block of Tianfujingrong, 99 Hupan West Road, Tianfu New Area, Chengdu, Sichuan, 610200, People's Republic of China;Sichuan Agriculture University, No.211 Huimin Road, Wenjiang District, Chengdu , Sichuan, 610000, People's Republic of China ~72: BIAN, Zhonghua;DUAN, Famin;LI, Zonggeng;LU, Wei;YANG, Qichang;ZHENG, Yangxia~

2021/09557 ~ Complete ~54:METHOD FOR PREDICTING DEVELOPMENT HEIGHT OF WATER-CONDUCTING FRACTURE ZONE CONSIDERING SOIL LAYER EFFECT IN SHALLOW BURIED COAL SEAM ~71:Shandong University, Shanda South Road 27#, Lixia District, Jinan City, Shandong Province, People's Republic of China ~72: Li Weiguo;Liu Shiliang;Zhang Wenhui~

2021/09571 ~ Complete ~54:CHERRY JUICE WINE AND PREPARATION METHOD THEREOF ~71:TAISHAN UNIVERSITY, 525 Dongyue Street, Daiyue District, Tai'an City, People's Republic of China ~72: LIN, Ke;QIN, Weishuai;WANG, Jiawei;WU, Qiang;ZHANG, Na;ZHANG, Yuexun~

2021/09582 ~ Complete ~54:SILICATE BASED HEAT TRANSFER FLUID, METHODS OF ITS PREPARATIONS AND USES THEREOF ~71:Arteco N.V., Metropoolstraat 25, SCHOTEN 2900, BELGIUM, Belgium ~72: CLAEYS, Sandra;LIEVENS, Serge~ 33:EP ~31:19181336.9 ~32:19/06/2019

2021/09523 ~ Complete ~54:CLIP FOR HOLDING TWO FLAT ELEMENTS, ASSEMBLY COMPRISING SUCH A CLIP ~71:A. RAYMOND ET CIE, 113 COURS BERRIAT, 38000 GRENOBLE, FRANCE, France ~72: LEGALL, Antoine~ 33:FR ~31:FR2013553 ~32:17/12/2020

2021/09536 ~ Complete ~54:LARGE-SCALE FIELD PLANTING METHOD OF FICUS TIKOUA BUREAU IN AUTUMN ~71:Jiangxi Agricultural University, No. 1101 Zhimin Avenue, Economic Development District, Nanchang City, Jiangxi Province, People's Republic of China ~72: Gou Yuting;Li Bo;Min Daozhang;Xiang Dongying;Zheng Chen~

2021/09542 ~ Complete ~54:SHORT-CHAIN VOLATILE FATTY ACID AND PREPARATION METHOD THEREOF ~71:QINGDAO UNIVERSITY OF TECHNOLOGY, No.777, Jialingjiang East Road, Huangdao District, Qingdao City, Shandong Province, 266520, People's Republic of China ~72: QIN, Chengzhi;SUN, Yingjie;ZHANG, Dalei;ZHANG, Hongying;ZHANG, Qi;ZHAO, Jianwei~

2021/09552 ~ Complete ~54:COMBINED TREATMENT METHOD FOR HIGH STANDARD DISCHARGE OF PAPERMAKING WASTEWATER ~71:Zhengzhou University of Aeronautics, No. 15, Wenyuan West Road, Zhengdong New Area, Zhengzhou City, Henan Province, People's Republic of China ~72: Chen Xiaoyu;Jia Xiaofeng;Lin Maowei;Liu Lei;Su Hongtao;Sun Yu;Tao He;Wang Zehua;Xu Yifeng~

2021/09567 ~ Complete ~54:FIRE PROTECTION COATING ~71:SOLETANCHE FREYSSINET, 280 avenue Napoléon Bonaparte, 92500, Rueil Malmaison, France ~72: VINCENT RAILLARD~ 33:EP ~31:20306450.6 ~32:26/11/2020

2021/09577 ~ Complete ~54:RECYCLING PROCESS ~71:WORN AGAIN TECHNOLOGIES LIMITED, BIOCITY PENNYFOOT STREET, NOTTINGHAM NG1 1GF, UNITED KINGDOM, United Kingdom ~72: HAURU, Lauri;REID, Joshua, E.S.;WALKER, Adam~ 33:GB ~31:1906154.8 ~32:02/05/2019

2021/09594 ~ Complete ~54:DEVICE FOR MANIPULATING PREFERABLY A CASTING TUBE IN A CHANGING DEVICE AT THE SPOUT OF A METALLURGICAL VESSEL ~71:REFRACTORY INTELLECTUAL PROPERTY GMBH & CO. KG, Wienerbergstrasse 11, 1100, Wien, Austria ~72: RAPHAEL RENGGLI~ 33:EP ~31:19184212.9 ~32:03/07/2019

2021/09525 ~ Complete ~54:ADSORPTION PAD FOR FINE POLISHING OF ELECTRONIC DISPLAY SCREEN AND PRODUCTION METHOD OF ADSORPTION PAD ~71:ANHUI HECHEN NEW MATERIAL CO.,LTD., Factory No. 1, Standardized Workshop, Laoxiahe East Road, Hexian Economic Development Zone, Maanshan City, Anhui Province, 238200, People's Republic of China ~72: LI, Jiahai;LI, Yuanxiang;YANG, Huiming~

2021/09534 ~ Complete ~54:HYDROPHOBIC GUIDE PLATE OF FUEL CELL ~71:Qingdao University of Science and Technology, No. 99 Songling Road, Laoshan District, Qingdao City, Shandong Province, 266061, People's Republic of China ~72: CHEN, Hongbo;GUO, Lei;HAN, Wenwen;LIU, Haichao;LV, Dejun;REN, Donghui;WANG, Chuansheng~

2021/09544 ~ Complete ~54:STABLE-STATE ORGANIC-INORGANIC RICE SPECIAL FERTILIZER PREPARED FROM BIOGAS RESIDUES AND PREPARATION METHOD THEREOF ~71:Zhejiang University of Science and Technology, 318 Liuhe Road, Xihu District, Hangzhou City, Zhejiang Province, 310023, People's Republic of China ~72: CAO, Lidong;JIN, Pengjie;SHAN, Shengdao;ZHANG, Changai;ZHANG, Chenyang;ZHANG, Huanjie~

2021/09547 ~ Complete ~54:NOVEL COMPOUND PRESERVATIVE FORMULA BASED ON ETHYL LAUROYL ARGININE AND APPLICATION MODE SUITABLE FOR PRESERVATION OF CHILLED MEAT SAUSAGES ~71:Chengdu Aoke New Technology Co., Ltd., Building 28, No.1919, Shuangyan Road, Jinma Town, Chengdu Cross-Strait Science and Technology Industrial Development Park, Wenjiang District, Chengdu City, Sichuan Province, 610000, People's Republic of China;Southwest Minzu University, No.16, South 4th Section, Yihuan Road, Wuhou District, Chengdu, Sichuan Province, 610041, People's Republic of China ~72: HAO, Gang;ZHANG, Zhuo~

2021/09556 ~ Complete ~54:QUANTITATIVE IDENTIFICATION METHOD FOR BIOTOR MISALIGNMENT ~71:Hunan University of Science and Technology, No. 2 Shimatou, Yuhu District, Xiangtan, Hunan, 411100, People's Republic of China ~72: GUO, Shuaiping;LI, Hongguang;WAN, Zhenhua;YANG, Dalian;ZHANG, Wenbin;ZOU, Junjun~

2021/09559 ~ Complete ~54:DIABETIC RETINOPATHY DETECTION SYSTEM, METHOD, DEVICE AND TRAINING SYSTEM ~71:BEIJING ZHENHEALTH TECHNOLOGY CO., LTD., Room 709, Building 1, Courtyard 1, Longyu Middle Street, Changping District, Beijing, 100085, People's Republic of China ~72: DAI, Liming;JIANG, Hongyang;YANG, Kang;ZHANG, Dongdong~

2021/09563 ~ Complete ~54:MEASURING DEVICE FOR SIDE PRESSURE OF CAVED GANGUE IN GOB UNDER LOAD ~71:Linyi University, West side of north section of Gongye Avenue, Lanshan District, Linyi City, Shandong Province, 276000, People's Republic of China ~72: Jia Chuanyang;Liu Keming;Song Xiaoyuan;Sun Xizhen;Wang Hailong;Zhang Guibin~ 33:CN ~31:202111323036.X ~32:10/11/2021

2021/09566 ~ Complete ~54:WATER TREATMENT ~71:NUVEST RECOVERY SOLUTIONS (PTY) LTD, 65 Philip Engelbrecht Dr, Meyersdal, 1448, South Africa ~72: ARTHUR PRETORIUS;IAN TUNNICLIFFE~ 33:ZA ~31:2020/07330 ~32:25/11/2020

2021/09574 ~ Complete ~54:COMPOUNDS FOR TREATMENT OF PD-L1 DISEASES ~71:CHEMOCENTRYX, INC., 835 Industrial Road, Suite 600, United States of America ~72: FAN, Pingchen;LANGE, Christopher;MALATHONG, Viengkham;MALI, Venkat Reddy;MCMURTRIE, Darren J.;PUNNA, Sreenivas;ROTH, Howard S.;SINGH, Rajinder;YANG, Ju;ZHANG, Penglie~ 33:US ~31:62/864,002 ~32:20/06/2019

2021/09585 ~ Complete ~54:EXPANDABLE SHEATH FOR INTRODUCING AN ENDOVASCULAR DELIVERY DEVICE INTO A BODY ~71:Edwards Lifesciences Corporation, One Edwards Way, IRVINE 92614, CA, USA, United States of America ~72: FINE, Maxwell Harrison;GAFFNEY, Leah Paige;LEE, Jeong Soo;RUIZ, David Guadalupe;SALEH, Nasser William;TAMIR, Ilian;TRAN, Sonny~ 33:US ~31:63/021,945 ~32:08/05/2020;33:US ~31:63/059,764 ~32:31/07/2020

2021/09586 ~ Complete ~54:EXPANDABLE SHEATH FOR INTRODUCING AN ENDOVASCULAR DELIVERY DEVICE INTO A BODY ~71:Edwards Lifesciences Corporation, One Edwards Way, IRVINE 92614, CA, USA, United States of America ~72: BULMAN, Erik;FINE, Maxwell Harrison;GAFFNEY, Leah Paige;LEE, Jeong Soo;SALEH, Nasser William;TAMIR, Ilian;TRAN, Sonny~ 33:US ~31:63/021,945 ~32:08/05/2020

2021/09598 ~ Complete ~54:ALCOHOL DERIVATIVES AS KV7 POTASSIUM CHANNEL OPENERS ~71:H. LUNDBECK A/S, Ottiliavej 9, 2500 Valby, Denmark ~72: ANETTE GRAVEN SAMS;DEBASIS DAS;JIAN HONG;KRESTIAN LARSEN;MARIO ROTTLENDER;SHU HUI CHEN;XIAOFANG WANG~ 33:EP ~31:19189750.3 ~32:02/08/2019;33:CN ~31:201910734123.0 ~32:09/08/2019;33:EP ~31:19191887.9 ~32:15/08/2019

2021/09560 ~ Complete ~54:POLYETHER POLYURETHANE MATERIAL AND PREPARATION METHOD THEREOF ~71:ANHUI HECHEN NEW MATERIAL CO.,LTD, Factory No. 1, Standardized Workshop, Laoxiahe East Road, Hexian Economic Development Zone, Maanshan City, Anhui Province, 238200, People's Republic of China ~72: HUANG, Guoping;LI, Jiahai;YANG, Huiming~

2021/09562 ~ Complete ~54:AN APPLICATION BASED ON IMPROVED MUTATION PROGRESSION METHOD IN THE EVALUATION OF SOIL RESTORATION IN RECLAIMED AREA ~71:Jinzhongzheng Project Management Co., Ltd., Room 411, 4th Floor, Innovation Building, Block A, Shuangyueyuan Road Science and Technology Pioneer Park, High-tech District, Linyi City, Shandong Province, 276000, People's Republic of

China;Linyi University, Middle Section of Shuangling Road, Lanshan District, Linyi City, Shandong Province, 276000, People's Republic of China ~72: Ji Chaowen;Song Xiaoyuan;Wang Jingbo;Wu Jinyi;Yuan Zhongxiang~

2021/09576 ~ Complete ~54:METASTABLE CRYSTAL MODIFICATION AND METHOD FOR THE PRODUCTION THEREOF (I) ~71:ALZCHEM TROSTBERG GMBH, Dr.-Albert-Frank-Strasse 32, Germany ~72: Franz THALHAMMER;Jürgen SANS;Thomas GÜTHNER~ 33:DE ~31:10 2019 118 893.8 ~32:12/07/2019;33:DE ~31:10 2019 118 894.6 ~32:12/07/2019

2021/09521 ~ Provisional ~54:A LOAD TRANSFER SYSTEM AND METHOD ~71:D A D DESIGN AND DEVELOPMENT PROPRIETARY LIMITED, 38 St Denis Road, Claremont, Cape Town, 7708, SOUTH AFRICA, South Africa ~72: MCVITTY, Alan George Cyril~

2021/09532 ~ Complete ~54:METHOD FOR PREPARING CHITOSAN COLLAGEN GEL ~71:Liaoning Zhongxuan Biotechnology Co., Ltd., 1-22, Building 10, Area A, Northeast Agricultural Materials Logistics Park, Xincheng District, Tieling City, Liaoning Province, 112608, People's Republic of China ~72: Baoquan WANG;Caikun TANG;Dan LI;Kun QI;Yuan YUAN;Yuncheng GUAN~

2021/09548 ~ Complete ~54:EDUCATIONAL INFORMATION MANAGEMENT SYSTEM AND METHOD ~71:Shandong Jiaotong University, 5001 Haitang Road, University Science Park, Changqing, Jinan City, Shandong Province, 250357, People's Republic of China ~72: WU, Yuanyuan~

2021/09561 ~ Complete ~54:POLISHING POWDER FOR FINE POLISHING OF ELECTRONIC DISPLAY SCREEN AND PRODUCTION METHOD THEREOF ~71:ANHUI HECHEN NEW MATERIAL CO.,LTD., Factory No. 1, Standardized Workshop, Laoxiahe East Road, Hexian Economic Development Zone, Ma'anshan City, Anhui Province, 238200, People's Republic of China ~72: LI, Jiahai;TAN, Hong;YU, Hualin~

2021/09572 ~ Complete ~54:DEVICE AND METHOD FOR SANDA SIDE-KICK TECHNIQUE TRAINING ~71:SHANDONG NORMAL UNIVERSITY, No. 88, Wenhudong Road, Lixia District, Jinan, People's Republic of China ~72: WANG, Sen~ 33:CN ~31:202111144658.6 ~32:28/09/2021

2021/09583 ~ Complete ~54:SUBSTITUTED PYRIDAZINONES AS HERBICIDES ~71:Syngenta Crop Protection AG, Rosentalstrasse 67, BASEL 4058, SWITZERLAND, Switzerland ~72: FINNEY, John;KITSIOU, Christiana;LING, Kenneth;MATHEWS, Christopher John;SEDEN, Peter Timothy;SHANAHAN, Stephen Edward~ 33:GB ~31:1910290.4 ~32:18/07/2019

2021/09588 ~ Complete ~54:SYSTEMS AND METHODS FOR HEART VALVE LEAFLET REPAIR ~71:Edwards Lifesciences Corporation, One Edwards Way, IRVINE 92614, CA, USA, United States of America ~72: CHAU, Mark;FELDMAN, Ted Eliot;GUERRERO, Mauricio;KHUU, Nancy Hoang;OBA, Travis Zenyo;RABBAH, Jean-Pierre Michel;SHAFIGH, Sam;SPARGIAS, Konstantinos~ 33:US ~31:63/046,638 ~32:30/06/2020;33:US ~31:63/124,703 ~32:11/12/2020

2021/09592 ~ Complete ~54:ELECTRODE ASSEMBLY FOR ELECTROCHEMICAL PROCESSES AND METHOD OF RESTORING THE SAME ~71:PERMASCAND AKTIEBOLAG, Folkets Husvägen 50, 840 10 Ljungavär, Sweden ~72: CHRISTIAN ALMROTH;ERIK ZIMMERMAN;JOHN GUSTAVSSON;PER MAGNUS SJÖDELL~ 33:EP ~31:19177920.6 ~32:03/06/2019

2021/09575 ~ Complete ~54:FORMING OF DISINFECTANT SOLUTIONS ~71:CONTROL CHEMICALS (PTY) LTD, 70 Thirteenth Road, Kew, JOHANNESBURG 2090, Gauteng, SOUTH AFRICA, South Africa ~72: BUCHAN, Peter James~ 33:ZA ~31:2019/03589 ~32:05/06/2019;33:ZA ~31:2019/03590 ~32:05/06/2019;33:ZA ~31:2019/07048 ~32:25/10/2019

2021/09526 ~ Complete ~54:COMPUTER-IMPLEMENTED BIDDING METHOD, COMPUTER EQUIPMENT AND STORAGE MEDIUM ~71:ANHEUSER-BUSCH INBEV (CHINA) CO., LTD., Room 2501-08, No. 268, Middle Xizang Road, Huangpu District, Shanghai, 200001, People's Republic of China ~72: DING, Xiaomin;Manion ZACHARIAH;ZHOU, Rongrong~ 33:CN ~31:202110928542.5 ~32:13/08/2021

2021/09535 ~ Complete ~54:RECOMBINANT CANINE DISTEMPER VIRUS THAT EXPRESSES THE VP2 OF CANINE PARVOVIRUS TYPE 2A ~71:Qingdao Agricultural University, No.700 Changcheng Road, Chengyang District, Qingdao City, Shandong Province, People's Republic of China ~72: Lin Jiahui;Liu Fuxiao;Shan Hu~

2021/09541 ~ Complete ~54:BRACKISH WATER DESALINATION SYSTEM SUITABLE FOR GREENHOUSE IN SUMMER ~71:Shandong Jianzhu University, No. 1000, Fengming Road, Lingang Development Zone, Licheng District, Jinan City, Shandong Province, 250101, People's Republic of China ~72: CHEN, Xianbing;JIANG, Ren;QU, Yunxia;YANG, Luopeng;ZHANG, Linhua~

2021/09553 ~ Complete ~54:DYNAMIC PATH PLANNING ALGORITHM BASED ON TRAFFIC TIME AND VEHICLE SPEED PREDICTION AND SYSTEM THEREOF ~71:East China Normal University, East China Normal University, No. 3663 North Zhongshan Road, Putuo District, Shanghai, 200062, People's Republic of China ~72: Chen Yixiang;Li Kaixuan;Liu Pengchen~

2021/09578 ~ Complete ~54:VERTICAL LIGHT-EMITTING DIODE ~71:SEOUL VIOSYS CO., LTD., 65-16, Sandan-ro 163 beon-gil, Danwon-gu, Ansan-si, Gyeonggi-do, Republic of Korea ~72: LEE, Joon Hee~ 33:KR ~31:10-2019-0064076 ~32:30/05/2019

2021/09595 ~ Complete ~54:IL2 AGONISTS ~71:BIONTECH SE, An der Goldgrube 12, 55131, Mainz, Germany ~72: ALEXANDER MUIK;LENA MAREEN KRANZ;MATHIAS VORMEHR;SINA FELLERMEIER-KOPF;UGUR SAHIN~ 33:EP ~31:PCT/EP2019/066648 ~32:24/06/2019

2021/09530 ~ Complete ~54:METHOD FOR PREPARING DAMPING CLOTH FOR POLISHING FOR THE PRODUCTION OF LCDS ~71:ANHUI HECHEN NEW MATERIAL CO.,LTD., Factory No. 1, Standardized Workshop, Laoxiahe East Road, Hexian Economic Development Zone, Maanshan City, Anhui Province, 238200, People's Republic of China ~72: LI, Jiahai;LIANG, Zebing;TAN, Hong~

2021/09538 ~ Complete ~54:APPLIANCE STORAGE STRUCTURE FOR MAINTAINING MUFFLE ROLLER TYPE MESH BELT QUENCHING FURNACE ~71:Anhui Science and Technology University, No.9 Donghua Road, Fengyang County, Chuzhou City, Anhui Province, People's Republic of China ~72: Chen Feng;Guo Chun;Hu Ruizhang;Kang Taiyu~

2021/09558 ~ Complete ~54:NEW TECHNOLOGY AND WORKING METHOD FOR RECOVERING WASTE HEAT OF SLAG FLUSHING WATER OF BLAST FURNACE ~71:Qingdao Special Steel Co., Ltd., No. 1886, Jicheng Road, Boli Town, Huangdao District, Qingdao, Shandong Province, People's Republic of China;Qingdao Technological University, No.777, Jialingjiang East Road, Huangdao District, Qingdao, Shandong Province, People's Republic of China ~72: Luan Guo Wen;Wang Dong;Wang Hai Bo;Yang Ling Zhi;Yi Chui Jie;Zhou Yang Min~

2021/09570 ~ Complete ~54:METHOD FOR CONTROLLING OXIDATION OF RAW NUTS ~71:QINGDAO AGRICULTURAL UNIVERSITY, No. 700 Changcheng Road, Chengyang District, Qingdao, People's Republic of China ~72: GUO, Liping;HUANG, Guoqing;LI, Xiaodan;LI, Zhaoyang;WANG, Zetong;XIAO, Junxia~

2021/09581 ~ Complete ~54:A MULTI-LAYER COVERING FOR A PROSTHETIC HEART VALVE ~71:Edwards Lifesciences Corporation, One Edwards Way, IRVINE 92614, CA, USA, United States of America ~72: CORONA, Jeanette Jasmine;PAWAR, Sandip Vasant;SENEESH, Gil~ 33:US ~31:63/005,020 ~32:03/04/2020

2021/09590 ~ Complete ~54:DELIVERY APPARATUS AND METHODS FOR IMPLANTING PROSTHETIC HEART VALVES ~71:Edwards Lifesciences Corporation, One Edwards Way, IRVINE 92614, CA, USA, United States of America ~72: ATIAS, Eitan;COHEN, Oren;MILLER, Noam;SCHWARCZ, Elazar Levi;WITZMAN, Ofir;ZHMAKIN, Denis~ 33:US ~31:62/990,299 ~32:16/03/2020

- APPLIED ON 2021/11/26 -

2021/09605 ~ Provisional ~54:FILTER PRESSES ~71:FILTAQUIP (PTY) LTD., 17 Bisset Road, Boksburg, JOHANNESBURG 1436, Gauteng Province, SOUTH AFRICA, South Africa ~72: BEZUIDENHOUT, Johann;VAN NIEKERK, Christo~

2021/09608 ~ Complete ~54:TREATMENT OF ACIDIC, METAL CONTAMINATED WATER ~71:NORTH-WEST UNIVERSITY, 11 Hoffman Street, POTCHEFSTROOM 2520, SOUTH AFRICA, South Africa ~72: FOSSO-KANKEU, Elvis;MASINDI, Vhahangwele~ 33:ZA ~31:2020/07509 ~32:02/12/2020

2021/09624 ~ Complete ~54:METHOD FOR MINING SHALLOW COAL SEAM WITH MINIMIZED IMPACT ~71:China University of Mining and Technology, No 1, Daxue Road, Tongshan District, XUZHOU CITY 221116, JIANGSU PROVINCE, CHINA (P.R.C.), People's Republic of China ~72: CHANG, Qingliang;LENG, Qiang;WU, Fengfeng;XU, Ying;ZHANG, Biao;ZHOU, Huaqiang~ 33:CN ~31:202011585173.6 ~32:25/12/2020

2021/09655 ~ Complete ~54:COMMUNICATION METHOD AND DEVICE THEREOF ~71:Huawei Technologies Co., Ltd., Huawei Administration Building, Bantian, Longgang District, SHENZHEN 518129, GUANGDONG, CHINA (P.R.C.), People's Republic of China ~72: HU, Li;LI, He;WU, Rong~ 33:CN ~31:201910351464.X ~32:28/04/2019

2021/09599 ~ Provisional ~54:AN APPARATUS FOR A RESERVATORY HOLDING PALPABLE SUBSTANCES ~71:Louis Jacobs, Estantia 23, Woodlands Drive, Queenswood, South Africa ~72: Louis Jacobs~ 33:ZA ~31:2021/07503 ~32:06/10/2021

2021/09647 ~ Complete ~54:METHODS AND DEVICES FOR PUBLIC KEY MANAGEMENT USING A BLOCKCHAIN ~71:nChain Holdings Limited, Fitzgerald House, 44 Church Street, ST. JOHN'S, ANTIGUA & BARBUDA, Antigua and Barbuda ~72: WRIGHT, Craig Steven;ZHANG, Wei~ 33:GB ~31:1906637.2 ~32:10/05/2019

2021/09603 ~ Provisional ~54:A PRESSURE WASHER DEVICE ~71:CHRISTIAAN MARTHINUS MITTON, No. 96 Buffelspoort Eco Park, Buffelspoort, South Africa ~72: MITTON, Christiaan Marthinus~

2021/09606 ~ Provisional ~54:AN ELECTRICAL ENERGY MANAGEMENT SYSTEM AND METHOD, AND A BATTERY SWAP SYSTEM AND METHOD ~71:MATJILA, Jerry Mbuti, 4 Damant Street, Lady Selborne, Pretoria 0082, SOUTH AFRICA, South Africa ~72: MATJILA, Jerry Mbuti~

2021/09630 ~ Complete ~54:MODELING CALCULATION METHOD FOR BOLT STRUCTURE ~71:BEIBEN TRUCKS GROUP CO., LTD., No. 9 Binggong East Road, Qingshan District, Baotou City, People's Republic of China ~72: CHENG, Ziyuan;CHU, Chuntao;HU, Xueliang;SU, Xia;XING, Xing~

2021/09604 ~ Provisional ~54:VOICE BACK ~71:Magoro Hopewell Londolani, 2474 Vuwani Location, South Africa ~72: Magoro Hopewell Londolani~

2021/09616 ~ Complete ~54:PREPARATION METHOD OF DIAGNOSTIC ANTIGEN FOR VIRULENT NEWCASTLE DISEASE INFECTION OF CHICKENS ~71:Shanxi Agricultural University, No. 81, Longcheng street, Xiaodian District, Taiyuan, Shanxi, People's Republic of China ~72: Liu Huadong~

2021/09631 ~ Complete ~54:COMMERCIAL VEHICLE 24V BATTERY ELECTRIC ENERGY MANAGEMENT DEVICE ~71:BEIBEN TRUCKS GROUP CO., LTD., No. 9 Binggong East Road, Qingshan District, Baotou City, People's Republic of China ~72: BAI, Ling;GUO, Huifen;HAO, Ying;KANG, Le;LIN, Haifeng;TIAN, Zhifeng;ZHAO, Lilong~

2021/09639 ~ Complete ~54:ACTIVE AND PASSIVE HUMIDIFICATION DEVICE FOR MOUNTING IN A PATIENT VENTILATION CIRCUIT ~71:SEDANA MEDICAL LIMITED, Unit 2a The Village Centre, Two Mile House, Naas, Kildare, Ireland ~72: CAREY, Pauric;FARRELL, Ronald Martin;HENNESSY, Harry~ 33:EP ~31:19177739.0 ~32:31/05/2019

2021/09649 ~ Complete ~54:METHODS AND COMPOSITIONS FOR GENERATING NITRIC OXIDE AND USES THEREOF TO DELIVER NITRIC OXIDE VIA THE RESPIRATORY TRACT ~71:Thirty Respiratory Limited, 1 Red Place, LONDON W1K 6PL, UNITED KINGDOM, United Kingdom ~72: MUNRO, Hugh Semple;WOOD, Christopher Barry~ 33:GB ~31:1907971.4 ~32:04/06/2019;33:GB ~31:1915277.6 ~32:22/10/2019;33:GB ~31:2005979.6 ~32:23/04/2020

2021/09600 ~ Provisional ~54:COMPOSITION TO USE AS DISINFECTANT ~71:HYDROLIQ (PTY) LTD, 29 Kingsway, Pinelands, South Africa ~72: Frank Bruggemann~

2021/09636 ~ Complete ~54:PROVIDING PRIVACY FOR NON-PUBLIC NETWORKS ~71:TELEFONAKTIEBOLAGET LM ERICSSON (PUBL), SE-164 83 STOCKHOLM, SWEDEN, Sweden ~72: BEN HENDA, Noamen;SACHS, Joachim;WANG, Kun~ 33:US ~31:62/839,861 ~32:29/04/2019

2021/09656 ~ Complete ~54:RECOMBINANT ONCOLYTIC VIRUS, PREPARATION METHOD THEREFOR, USE THEREOF AND MEDICINE THEREOF ~71:WU, Zetang, No. 30 Hongfeng Road, High-tech Development Zone, United States of America ~72: WU, Zetang~ 33:CN ~31:201910462073.5 ~32:30/05/2019

2021/09746 ~ Provisional ~54:METHOD OF CLEANING A STEEL SURFACE ~71:NUVEST RECOVERY SOLUTIONS (PTY) LTD, 65 Philip Engelbrecht Dr, Meyersdal, 1448, South Africa ~72: ARTHUR PRETORIUS;IAN TUNNICLIFFE~

2021/09609 ~ Complete ~54:AN IOT BASED MOBILE OPERATED SOLAR BALL MILL SYSTEM ~71:ABO-DIEF HALA MOHAMED, Assistant Professor, Petroleum Engineer, Chemistry Department, Faculty of Science, Taif University, P.O. Box 11099, Taif, 21944, Saudi Arabia;ALANAZI ABDULLAH KHALAF, Assistant Professor, Applied Nano Material Science, Chemistry Department, Faculty of Science, Taif University, P.O. Box 11099, Taif, 21944, Saudi Arabia;MOHAMED ASHRAF TALAAT, Professor, Department of Mechanical Engineer, Faculty of Engineer, Minia University, El-Minia, 61519, Egypt;PANDA RAMESH CHANDRA, Chief Scientist, Wegrow Private Limited, Bhubaneswar, Odisha, 751001, India;PRAMANIK TANAY, Professor, Department of Chemistry, University of Engineering and Management, University Area, Action Area III, B/5, Newtown, Kolkata, West Bengal, 700160, India ~72: ABO-DIEF HALA MOHAMED;ALANAZI ABDULLAH KHALAF;MOHAMED ASHRAF TALAAT;PANDA RAMESH CHANDRA;PRAMANIK TANAY~

2021/09627 ~ Complete ~54:METHOD FOR AUTOMATICALLY IDENTIFYING AND COUNTING CIGARETTE BEETLES AND COMPUTER READABLE STORAGE MEDIUM ~71:COSCO SHIPPING TECHNOLOGY (BEIJING) CO., LTD., Room 15A, Block F, Fuhua Building, No. 8 Chaoyangmen North Street, Dongcheng District, People's Republic of China ~72: XIANG, Jie~ 33:CN ~31:202110835216.X ~32:23/07/2021

2021/09635 ~ Complete ~54:PARP INHIBITOR PELLETT PREPARATION AND PREPARATION PROCESS THEREFOR ~71:BEIGENE, LTD., c/o Mourant Ozannes Corporate Services (Cayman) Limited, 94 Solaris Avenue, Camana Bay, Cayman Islands ~72: DU, Zhengming;FAN, Wenyuan;GUO, Yuanjing;LV, Huiru;QIU, Gang;WANG, Yiping;XU, Shuo~ 33:CN ~31:PCT/CN2019/089618 ~32:31/05/2019

2021/09660 ~ Complete ~54:PYRROLOBENZODIAZEPINE-ANTIBODY CONJUGATES ~71:ADC THERAPEUTICS SA, Biopôle route de la Corniche, Switzerland;MEDIMMUNE LIMITED, Milstein Building, Granta Park, United Kingdom ~72: VAN BERKEL, Patricius Hendrikus Cornelis~ 33:GB ~31:1908128.0 ~32:07/06/2019

2021/09658 ~ Complete ~54:CHROMOSOME CONFORMATION MARKERS OF PROSTATE CANCER AND LYMPHOMA ~71:OXFORD BIODYNAMICS PLC, Building 3140, Oxford Business Park, United Kingdom ~72: AKOULITCHEV, Alexandre;HUNTER, Ewan;RAMADASS, Aroul~ 33:GB ~31:1906487.2 ~32:08/05/2019;33:GB ~31:1914729.7 ~32:11/10/2019;33:GB ~31:2006286.5 ~32:29/04/2020

2021/09632 ~ Complete ~54:AUXILIARY EARLY WARNING DEVICE APPLIED TO HEAVY TRUCK ~71:BEIBEN TRUCKS GROUP CO., LTD., No. 9 Binggong East Road, Qingshan District, Baotou City, People's Republic of China ~72: DU, Hao;GUO, Huifen;JIA, Zhuorui;LIU, Dawei;LIU, Zhengting;MA, Ting;WANG, Lu~

2021/09643 ~ Complete ~54:SHIELDING STRUCTURES IN PLASMA ENVIRONMENT ~71:LOCKHEED MARTIN CORPORATION, 6801 Rockledge Drive, Bethesda, Maryland, 20817, United States of America ~72: GABRIEL IVAN FONT;JONATHON ROBERT HEINRICH;MICHAEL LANE GARRETT;THOMAS JOHN MCGUIRE~ 33:US ~31:16/509,286 ~32:11/07/2019

2021/09648 ~ Complete ~54:FUSED HETEROCYCLIC DERIVATIVES ~71:Janssen Sciences Ireland Unlimited Company, Barnahely, Ringaskiddy, CO CORK, IRELAND, Ireland ~72: BERKE, Jan Martin;CHENG, Zhangling;DENG, Gang;DERATT, Lindsey Graham;GROSSE, Sandrine Céline;GROSSE, Sandrine Céline;HU, Lili;JIANG, Yimin;JONCKERS, Tim Hugo Maria;KESTELEYN, Bart Rudolf Romanie;KUDUK, Scott D.;LECOMTE, Morgan Charles R.;MARTINEZ LAMENCA, Carolina;PIETERS, Serge Maria Aloysius;RABOISSON, Pierre Jean-Marie Bernard;VANDYCK, Koen;VERSCHUEREN, Wim Gaston;XU, Yanping~ 33:EP ~31:19176933.0 ~32:28/05/2019;33:US ~31:62/853,533 ~32:28/05/2019;33:IB ~31:2020/085720 ~32:20/04/2020

2021/09653 ~ Complete ~54:EXPANDABLE SHEATH ~71:Edwards Lifesciences Corporation, One Edwards Way, IRVINE 92614, CA, USA, United States of America ~72: DVORSKY, Anatoly;GOLDBERG, Eran;NEUMANN, Yair A.~ 33:US ~31:62/912,569 ~32:08/10/2019

2021/09607 ~ Provisional ~54:TRACK HANDLING APPARATUS ~71:MACHINERY CONTRACTORS (PTY) LTD., 20A Pendering Street, Extension 14, Industrial Sites, BRITS 0250, North West Province, SOUTH AFRICA, South Africa ~72: LESTER, Gordon Steven~

2021/09610 ~ Complete ~54:AUTOMATIC FEEDING DEVICE AND CONVEYING SYSTEM FOR THE ACTION SUPPORT OF TANK TRACK ~71:Qingdao Cabos Intelligent Manufacturing Co., Ltd, Qingdao Kaws Intelligent Manufacturing Co. Ltd. Room 408, Qingdao International Postdoctoral I&E Park, NO. 506 Huicheng Road, Chengyang District, Qingdao, Shandong, 266109, People's Republic of China;Qingdao University of Technology, No. 777, Jialingjiang Road, Economic and Technological Development Zone, Qingdao, Shandong, 266520, People's Republic of China ~72: Chen Minkai;Fan Hanqi;Jiang Tao;Li Changhe;Li Junting;Li Min;Qin Aiguo;Zhao Xufeng;Zhou Zongming~

2021/09614 ~ Complete ~54:APPLICATION METHOD OF NEW COMPOUND IN IMPROVING PLANT RESISTANCE TO SOIL ALUMINUM TOXICITY ~71:Qingdao Agricultural University, No. 700 Changcheng Road, Chengyang District, Qingdao City, Shandong Province, People's Republic of China ~72: Ma Changqing;Sun Zhijuan;Tian Yike;Wang Caihong;Zheng Xiaodong~

2021/09628 ~ Complete ~54:MECHANICAL-HYDRAULIC HYBRID HEAT DISSIPATION SYSTEM ~71:BEIBEN TRUCKS GROUP CO., LTD., No. 9 Binggong East Road, Qingshan District, Baotou City,, People's Republic of China ~72: BAI, Jinwang;LI, Zhiming;LIU, Chunying;LIU, Guo;PANG, Jianzhong;REN, Zhanjiang;WANG, Rong~

2021/09640 ~ Complete ~54:METHOD OF ION-PLASMA APPLICATION OF CORROSION-RESISTANT FILM COATINGS ON ARTICLES MADE FROM ZIRCONIUM ALLOYS ~71:JOINT-STOCK COMPANY "TVEL", 49 Kashirskoe Shosse, Moscow, 115409, Russian Federation ~72: KORNIENKO, Michail Yurjevich;KRASNOBAEV, Nikolay Nikolaevich;MASLOV, Alexander Alexandrovich;NOVIKOV, Vladimir Vladimirovich;ORLOV, Vladislav Konstantinovich;SAENKO, Denis Sergeevich;TITOV, Alexander Olegovich~

2021/09652 ~ Complete ~54:HELICALLY BAFFLED HEAT EXCHANGER ~71:Lummus Technology LLC, 1515 Broad Street, BLOOMFIELD 07003-3096, NJ, USA, United States of America ~72: ELSAYED, Sherif;JIBB, Richard John;MACEDO, Eric Drew;O'SULLIVAN, Melanie~ 33:US ~31:16/428,582 ~32:31/05/2019

2021/09654 ~ Complete ~54:TRANSCATHETER HEART VALVE DELIVERY SYSTEMS AND METHODS ~71:Edwards Lifesciences Corporation, One Edwards Way, IRVINE 92614, CA, USA, United States of America ~72: BUKIN, Michael;GUROVICH, Nikolay;SHERMAN, Elena;TSYPENYUK, Alexey~ 33:US ~31:62/886,677 ~32:14/08/2019

2021/09601 ~ Provisional ~54:BIOACTIVE PHYTOCHEMICALS FOR USE AS INHIBITORS OF HIV-1 SUBTYPE C PROTEASE ~71:Durban University of Technology, STEVE BIKO CAMPUS, 121 STEVE BIKO ROAD, South Africa ~72: SABIU, SAHEED;SHODE, FRANCIS OWOLABI;UHOMOIBHI, JOHN OMO-OSAGIE~

2021/09612 ~ Complete ~54:METHOD FOR PRODUCING CLONAL SEEDLINGS OF PEACH AND ITS ROOTSTOCK ~71:Zhengzhou Fruit Research Institute,CAAS, Nan Cao Xiang an Xu Zhuang, Guancheng Hui District, Zhengzhou City, Henan Province, People's Republic of China ~72: Cao Ke;Chen Changwen;Fang Weichao;Li Yong;Wang Lirong;Wang Xinwei;Zhu Gengrui~

2021/09626 ~ Complete ~54:METHOD FOR DETERMINING THEORETICAL DAILY FUEL CONSUMPTION OF VLCC AT COMMANDED SPEED ~71:COSCO SHIPPING TECHNOLOGY (BEIJING) CO., LTD., Room 15A, Block F, Fuhua Building, No. 8 Chaoyangmen North Street, Dongcheng District, People's Republic of China ~72: HAN, Dongsheng~ 33:CN ~31:202111091880.4 ~32:17/09/2021

2021/09651 ~ Complete ~54:PROSTHETIC HEART VALVE ~71:Edwards Lifesciences Corporation, One Edwards Way, IRVINE 92614, CA, USA, United States of America ~72: GUROVICH, Nikolay~ 33:US ~31:63/006,190 ~32:07/04/2020

2021/09659 ~ Complete ~54:TRANSFORM SELECTION FOR IMPLICIT MULTIPLE TRANSFORM SELECTION ~71:INTERDIGITAL VC HOLDINGS, INC., 200 Bellevue Parkway, Suite 300, Wilmington, United States of America ~72: LELEANNEC, Fabrice;NASER, Karam;POIRIER, Tangi~ 33:EP ~31:19305698.3 ~32:31/05/2019;33:EP ~31:19290045.4 ~32:21/06/2019

2021/09613 ~ Complete ~54:PREPARATION METHOD OF SPHERICAL AMMONIUM DINITRAMIDE (ADN) AND ITS COMPOSITE OXIDANT ~71:Hubei Institute of Aerospace Chemical Technology, #58 Qinghe Road, Fancheng District, Xiangyang City, Hubei Province, People's Republic of China;Nanjing University of Science and Technology, #200, Xiaolingwei Street, Xuanwu District, Nanjing City, Jiangsu Province, People's Republic of China ~72: Bei Yiyang;Chen Ling;He Narenchaogetu;Li Fengsheng;Liu Jie;Liu Shishuo;Wang Deqi;Wu Shixi~

2021/09637 ~ Complete ~54:HANDLING OF MULTIPLE AUTHENTICATION PROCEDURES IN 5G ~71:TELEFONAKTIEBOLAGET LM ERICSSON (PUBL), SE-164 83 STOCKHOLM, SWEDEN, Sweden ~72:

BEN HENDA, Noamen;CASTELLANOS ZAMORA, David;LEHTOVIRTA, Vesa;WIFVESSON, Monica~ 33:US
~31:62/840,021 ~32:29/04/2019

2021/09617 ~ Complete ~54:METHOD FOR HARMLESS AND EFFICIENT EXTRACTION OF DNA FROM OYSTERS ~71:Ludong University, No. 186, Hongqi Middle Road, Zhifu District, Yantai City, Shandong Province, 264025, People's Republic of China ~72: HAN, Yijing;HUANG, Baoyu;JIANG, Qiuyun;LIU, Yaqiong;WANG, Xiaona;WANG, Xiaotong;WEI, Lei;ZHANG, Meiwei~

2021/09619 ~ Complete ~54:MULTI-FUNCITONAL AGRICULTURAL ROBOT ~71:Shandong Agricultural University, 61 Daizong Street, Tai'an City, Shandong Province, 271018, People's Republic of China ~72: Chu Chunyang;Li Fade;Lin Xueyan;Song Zhanhua;Tian Fuyang;Yan Yinfa;Yu Zhenwei;Zheng Wende~ 33:CN
~31:2021113250999 ~32:10/11/2021

2021/09621 ~ Complete ~54:A SYSTEM USING AI BASED UNMANNED AERIAL VEHICLE FOR SOLID WASTE MANAGEMENT & ENVIRONMENTAL SENSING ~71:Dr. Mandheer kaur, Assistant Professor , Chandigarh Group of Colleges, Jhanjeri, Mohali, Punjab, 140307, India;Dr. Radhika G. Deshmukh, Assistant Professor, Shri Shivaji Science College, Gadge Nagar, Amravati, Maharashtra, 444603, India;Dr. Renuka Sharma, Assistant Professor, Chandigarh Group of Colleges, Jhanjeri, Mohali, Punjab, 140307, India;Dr. Sangita Ingole, Department of Environment, Shri Shivaji Science College, Gadge Nagar, Amravati, Maharashtra, 444603, India;Dr. Shalu, Assistant Professor, Manav Rachna University, Sector- 43, Delhi - Surajkund Road, Faridabad, Haryana, 121004, India;Dr. Shikha, Assistant Professor , Chandigarh Group of Colleges, Jhanjeri, Mohali, Punjab, 140307, India;Miss. Mamta, Research Scholar, Deenbandhu Chhotu Ram University of Science and Technology, Murthal, Sonapat, Haryana, 131039, India;Miss. Prerana Rai, Assistant Professor, Chandigarh University, Ludhiana-Chandigarh State Highway, Mohali, Punjab, 140413, India;Miss. Pushpa, Research Scholar, Deenbandhu Chhotu Ram University of Science and Technology, Murthal, Sonapat, Haryana, 131039, India;Miss. Shyla, Assistant Professor, Chandigarh University, Ludhiana-Chandigarh State Highway, Mohali, Punjab, 140413, India;Prof. Ramesh Chandra Panda, Chief Scientist , Wegrow Private Limited, Bhubaneswar, Odisha , 751001, India;Tapan Kumar, Head AI & ML, Hash Technologies Pvt. Ltd, Jahada Marg, Biratnagar, 56613, Nepal;Uma Tomer, Assistant Professor , Department of Information Technology, Greater Noida Institute of Technology, Knowledge Park II, Greater Noida, Uttar Pradesh , 201310, India ~72: Dr. Mandheer kaur;Dr. Radhika G. Deshmukh;Dr. Renuka Sharma;Dr. Sangita Ingole;Dr. Shalu;Dr. Shikha;Miss. Mamta;Miss. Prerana Rai;Miss. Pushpa;Miss. Shyla;Prof. Ramesh Chandra Panda;Tapan Kumar;Uma Tomer~

2021/09629 ~ Complete ~54:TRUCK CAB REMOTE CONTROL TIPPING DEVICE ~71:BEIBEN TRUCKS GROUP CO., LTD., No. 9 Binggong East Road, Qingshan District, Baotou City, People's Republic of China ~72: BAI, Jinwang;LI, Yuelei;LIU, Yinfeng;REN, Zhanjiang;SHI, Shengjie;ZHANG, Wenbo;ZHAO, Huiyong~

2021/09642 ~ Complete ~54:A FUEL CONTAINER ~71:B & T PRODUCTS LTD., 1st Floor, Cromwell House 14 Fulwood Place, London, WC1V 6HZ, United Kingdom ~72: JAMES BUTLER;PETER TAYLOR~ 33:GB
~31:1906032.6 ~32:30/04/2019;33:GB ~31:1919319.2 ~32:24/12/2019

2021/09650 ~ Complete ~54:TEAD INHIBITORS AND USES THEREOF ~71:Ikena Oncology, Inc., 645 Summer Street, Suite 101, BOSTON 02210, MA, USA, United States of America ~72: CASTRO, Alfredo C.~ 33:US
~31:62/855,082 ~32:31/05/2019;33:US ~31:62/928,931 ~32:31/10/2019;33:US ~31:62/944,567
~32:06/12/2019;33:US ~31:63/025,336 ~32:15/05/2020

2021/09602 ~ Provisional ~54:LIFTING DEVICE ~71:HYETT, Andrew, 1 Esaterbrook Place, New Germany, South Africa ~72: HYETT, Andrew~

2021/09641 ~ Complete ~54:PARTHENOGENETIC HAPLOID INDUCTION GENE DMP AND APPLICATION THEREOF ~71:China Agricultural University, No. 2 Yuan Ming Yuan West Road, Haidian District, People's

Republic of China ~72: Baojian, CHEN;Chenxu, LIU;Mengran, LI;Shaojiang, CHEN;Xiaolong, QI;Yanyan, JIAO;Yu, ZHONG;Zongkai, LIU~ 33:CN ~31:201910445082.3 ~32:27/05/2019;33:WO ~31:PCT/CN2020/099680 ~32:01/07/2020

2021/09646 ~ Complete ~54:PYRAZOLOPYRIMIDINE SULFONE INHIBITORS OF JAK KINASES AND USES THEREOF ~71:F. HOFFMANN-LA ROCHE AG, Grenzacherstrasse 124, 4070, Basel, Switzerland ~72: DANIEL G M SHORE;JESSICA MARIE GRANDNER;MARIAN C BRYAN;MARK EDWARD ZAK;NAOMI S RAJAPAKSA;YUN-XING CHENG~ 33:CN ~31:PCT/CN2019/091712 ~32:18/06/2019;33:US ~31:63/035,381 ~32:05/06/2020

2021/09620 ~ Complete ~54:METHOD FOR MEASURING SOIL RESISTIVITY AND METHOD FOR ANALYZING THE LAYERED STRUCTURE OF SOIL ~71:Hunan Meteorological Disaster Prevention Technology Center (Hunan Lightning Protection Center), 296 Huangtuling Road, Yuhua District, Changsha City, Hunan Province, People's Republic of China ~72: Li Kai;Liu Fengjiao;Liu Jinghong;Liu Yanqing;Liu Yueyu;Wang Shaojuan;Yang Jiayan~

2021/09622 ~ Complete ~54:NON-HYBRID OFFSPRING IDENTIFICATION METHOD BASED ON SIMPLIFIED GENOME SEQUENCING AND SINGLE-NUCLEOTIDE POLYMORPHISM (SNP) MINOR ALLELE FREQUENCY (MAF) ~71:Liaoning Institute of Pomology, Tiedong Street, Xiongyue Town, Bayuquan District, Yingkou City, Liaoning Province, 115000, People's Republic of China ~72: GAO, Shuqing;LI, Jiaqi;LIU, Cheng;LIU, Xiuli;LIU, Youchun;SUN, Bin;WANG, Hongguang;WANG, Sheng;WEI, Xin;YANG, Yuchun;YUAN, Xingfu;ZHANG, Duo~

2021/09645 ~ Complete ~54:STABILIZATION OF RESORCINOL COMPOUNDS IN COSMETIC COMPOSITIONS ~71:UNILEVER GLOBAL IP LIMITED, Port Sunlight, Wirral, Merseyside, CH62 4ZD, United Kingdom ~72: JOSE GUILLERMO ROSA;TEANOOSH MOADDEL~ 33:EP ~31:19186082.4 ~32:12/07/2019

2021/09625 ~ Complete ~54:TREATMENT OF CORONA VIRUS DISEASE 2019 ~71:XYLOMED PHARMACEUTICALS BOTSWANA (PTY) LTD, PLOT 14802, PHASE 1, Botswana ~72: PALANE, Mkhululi Patrick William~ 33:ZA ~31:2020/05369 ~32:28/08/2020;33:ZA ~31:2020/07078 ~32:13/11/2020

2021/09665 ~ Complete ~54:LIVESTOCK AND POULTRY FEED ADDITIVE BASED ON POLYPHENOL SALT-TOLERANT MEDICINAL AND EDIBLE PLANTS ~71:COASTAL AGRICULTURAL RESEARCH INSTITUTE, HEBEI ACADEMY OF AGRICULTURAL AND FORESTRY SCIENCES, NO.63 BINHAI STREET, CAOFEIDIAN DISTRICT, TANGSHAN CITY,, People's Republic of China ~72: FENG, Wei;LI, Zhaojia;LU, Xuelin;MENG, Ran;WANG, Xiuping;WU, Zhe~

2021/09623 ~ Complete ~54:NOVEL COMPOUND FOR IMPROVING PLANT RESISTANCE TO SOIL ALUMINUM TOXICITY AND PREPARATION METHOD THEREOF ~71:Qingdao Agricultural University, No. 700 Changcheng Road, Chengyang District, Qingdao City, Shandong Province, People's Republic of China ~72: Ma Changqing;Sun Zhijuan;Tian Yike;Wang Caihong;Zheng Xiaodong~

2021/09611 ~ Complete ~54:PROCESS EQUIPMENT SYSTEM FOR THE ACTION SUPPORT OF TANK TRACK ~71:Qingdao Cabos Intelligent Manufacturing Co., Ltd, Qingdao Kaws Intelligent Manufacturing Co. Ltd. Room 408, Qingdao International Postdoctoral I&E Park, NO. 506 Huicheng Road, Chengyang District, Qingdao, Shandong, 266109, People's Republic of China;Qingdao University of Technology, No. 777, Jialingjiang Road, Economic and Technological Development Zone, Qingdao, Shandong, 266520, People's Republic of China ~72: Chen Yun;Fan Hanqi;Jiang Tao;Li Changhe;Li Junting;Li Min;Liu Bo;Qin Aiguo;Xu Shuaiqiang;Yang Yuying;Zhang Yanbin;Zhou Zongming~

2021/09633 ~ Complete ~54:METHOD FOR CLASSIFYING COMPANIES BASED ON FINANCIAL VOUCHER DATA, AND COMPUTER-READABLE MEDIUM ~71:COSCO SHIPPING TECHNOLOGY (BEIJING) CO., LTD.,

Room 15A, Block F, Fuhua Building, No. 8 Chaoyangmen North Street, Dongcheng District, People's Republic of China ~72: DAI, Yue;WANG, Yaozuo~ 33:CN ~31:202110969456.9 ~32:23/08/2021

2021/09657 ~ Complete ~54:TREATMENT AND PREVENTION OF METABOLIC DISEASES ~71:NATIONAL UNIVERSITY OF SINGAPORE, 21 Lower Kent Ridge Road, Singapore;SINGAPORE HEALTH SERVICES PTE. LTD., 31 Third Hospital Avenue, #03-03 Bowyer Block C, Singapore ~72: COOK, Stuart Alexander;SCHAEFER, Sebastian;SINGH, Brijesh Kumars;WIDJAJA, Anissa Anindya~ 33:GB ~31:1906291.8 ~32:03/05/2019;33:GB ~31:1906597.8 ~32:10/05/2019;33:GB ~31:2001013.8 ~32:24/01/2020;33:GB ~31:2001896.6 ~32:12/02/2020;33:GB ~31:2002030.1 ~32:14/02/2020

2021/09638 ~ Complete ~54:FLEXIBLE PRODUCTION OF GASOLINE AND JET FUEL IN ALKYLATION REACTOR ~71:LUMMUS TECHNOLOGY LLC, 1515 Broad Street, United States of America ~72: KORPELSHOEK, Maurice;LEMOINE, Romain;LIU, Zan;MEDINA BOLIVAR, Jackeline;SOM, Manoj~ 33:US ~31:62/852,744 ~32:24/05/2019

2021/09644 ~ Complete ~54:SELF-TESTED HANDHELD COVID-19 ANTIGEN TEST CARD AND KIT ~71:JINAN BABIO BIOTECHNOLOGY CO., LTD, No. 303, Building 5, SME Industrial Base, Biomedical Park, No. 1777, Dazheng Road, High-tech District, Jinan City, Shandong Province, Jinan, Shandong 250104, People's Republic of China ~72: BIN ZHANG;CHUNHUA NING;HUI NIE;PEI WANG~

2021/09615 ~ Complete ~54:CONSTRUCTION METHOD FOR PARTIAL BLEEDER OFF HOLES OF STOPE FACE IN CYCLES ~71:China Coal Technology and Engineering Group Chongqing Research Institute Co., Ltd., No. 6, Kecheng Road, Jiulongpo District, Chongqing, 400039, People's Republic of China;Shaanxi Shanmei Hancheng Mining Co., Ltd, Jinta East Road, Xincheng District, Hancheng City, Shaanxi Province, 715400, People's Republic of China ~72: CHEN, Shaoxiang;CHEN, Zhiyong;HE, Linpeng;LI, Chengcheng;LI, Shengzhou;LI, Siqian;LIU, Jun;LU, Zhanjin;REN, Qihan;WANG, Jianli;WANG, Zhonghua;XU, Junjian;XU, Zunyu;YUAN, Benqing;ZHAO, Junli~

2021/09618 ~ Complete ~54:ENERGY-SAVING WATER SUPPLY SYSTEM AND ITS WORKING METHOD ~71:Heilongjiang Institute of Construction Technology, No. 999 Xueyuan Road, HuLan District, Harbin, Heilongjiang Province, People's Republic of China ~72: Bian Xilong;Luo Jiaoying;Wang Hongmei;Wang Yuqing;Yu Jingyang~

- APPLIED ON 2021/11/29 -

2021/09679 ~ Complete ~54:RUNNING STATE DETECTION AND JOINT CONTROL DEVICE OF BELT CONVEYOR AND SCRAPER CONVEYOR ~71:Shandong University of Science and Technology, No. 579, Qianwangang Road, Economic and Technological Development Zone, Qingdao City, Shandong, 266510, People's Republic of China ~72: CHEN, Yumeng;DU, Mingchao;HUANG, Liangsong;LI, Yuxia;LIU, Zengkai;SUN, Shaoan;SUN, Zhengxian;ZHANG, Kun~

2021/09666 ~ Complete ~54:DEVICE FOR DETECTING PROTEIN CONTENT IN DAIRY PRODUCT ~71:Inner Mongolia Agricultural University, 306 Zhaowuda Road, Saihan District, Huhehaote, Inner Mongolia Autonomous Region, 010018, People's Republic of China ~72: CHEN, Chen;HU, Pengwei;LIU, Jiangping;MA, Lili;XUE, Heru~

2021/09722 ~ Complete ~54:METHOD FOR TREATING ENDOMETRIOSIS-ASSOCIATED PAIN BY USING DIAMINOPYRIMIDINE COMPOUND ~71:BEIJING TIDE PHARMACEUTICAL CO., LTD., No.8 East Rongjing Street, BDA, Beijing, 100176, People's Republic of China ~72: HONGJUN WANG;HUAI HUANG;HUINING LIANG;JIN WANG;LIYING ZHOU;RAN AN;YANAN LIU;YANPING ZHAO;YUANYUAN JIANG;ZHOU LAN~ 33:CN ~31:PCT/CN2019/085209 ~32:30/04/2019

2021/09727 ~ Complete ~54:SYSTEM AND METHOD FOR RESCUING WHALES BASED ON BIG DATA
~71:ALPINE ALA TECHNOLOGIES OF SHANGHAI CO., LTD., Room 118, Building 20, Hongxiang Beilu Nong
83, the Lingang Industrial Area, People's Republic of China ~72: Zhou Lianhui~ 33:WO
~31:PCT/CN2020/095783 ~32:12/06/2020

2021/09735 ~ Complete ~54:HEART VALVE SEALING DEVICES AND DELIVERY DEVICES THEREFOR
~71:Edwards Lifesciences Corporation, One Edwards Way, IRVINE 92614, CA, USA, United States of America
~72: FRESCHAUF, Lauren R.;OBERWISE, Eric Michael~ 33:US ~31:62/908,538 ~32:30/09/2019

2021/09744 ~ Complete ~54:ANTI-CONNECTIVE TISSUE GROWTH FACTOR ANTIBODY AND APPLICATION
THEREOF ~71:JIANGSU HENGRUI MEDICINE CO., LTD., No. 7 Kunlunshan Road, Economic and
Technological Development Zone,, People's Republic of China;SHANGHAI HENGRUI PHARMACEUTICAL CO.,
LTD., No. 279 Wenjing Road, Minhang District, People's Republic of China ~72: FU, Yayuan;GE, Hu;MA,
Xiaoli;TAO, Weikang~ 33:CN ~31:201910480169.4 ~32:04/06/2019

2021/09683 ~ Complete ~54:TEST SYSTEM AND METHOD FOR WIND SPEED IN WIND TUNNEL OF BRIDGE
AND DYNAMOMETRY OF VEHICLE ~71:Fujian Transportation Planning and Design Institute Co., Ltd., No. 43,
Jiaotong Road, Taijiang District, Fuzhou, 350004, People's Republic of China;Xiamen University of Technology,
No. 600, Ligong Road, Jimei District, Xiamen, Fujian Province, 361021, People's Republic of China ~72: CHEN,
Xiaojiang;HU, Haitao;HU, Lei;LIAN, Jiangfeng;LIN, Li;LIN, Xiaobo;LV, Hengqing;QIN, Zhiqing;WANG,
Huaifeng;XIA, Dandan;YUAN, Zhiqun;ZHANG, Xiangmin;ZHENG, Qingsong~

2021/09698 ~ Complete ~54:A MOBILE DISPENSARY ~71:GELDENHUYS, Brandon, 5 Salford Road, Oakglen,
South Africa ~72: GELDENHUYS, Brandon~

2021/09724 ~ Complete ~54:DIRECT ELECTRICAL READOUT OF NUCLEIC ACID SEQUENCES
~71:ARIZONA BOARD OF REGENTS ON BEHALF OF ARIZONA STATE UNIVERSITY, 1475 N. Scottsdale
Road, Suite 200, Scottsdale, Arizona, 85257, United States of America ~72: BINTIAN ZHANG;HANQING
DENG;STUART LINDSAY~ 33:US ~31:62/864,174 ~32:20/06/2019

2021/09740 ~ Complete ~54:RNAI CONSTRUCTS FOR INHIBITING SCAP EXPRESSION AND METHODS OF
USE THEREOF ~71:Amgen Inc., One Amgen Center Drive, Law Dept-Patent Operations, Mail Stop 28-5-A,
THOUSAND OAKS 91320-1799, CA, USA, United States of America ~72: DAS, Amrita;HERBERICH, Bradley
J.;HOMANN, Oliver;LIN, Daniel C.H.;MURRAY, Justin K.;OLLMANN, Michael~ 33:US ~31:62/854,433
~32:30/05/2019

2021/09692 ~ Complete ~54:METHOD FOR SYNTHESIZING 2,3-DIMETHYL-5ALKYLAMINO-1,4-
BENZOQUINONE BY TWO-ENZYME ONE-POT METHOD ~71:Qingdao University of Science and Technology,
No. 99, Songling Road, Laoshan District, Qingdao City, Shandong Province, 266061, People's Republic of China
~72: JIANG, Zhuying;LIANG, Shaoxin;WAN, Congcong;WANG, Fanye;ZHANG, Yuanyuan~

2021/09708 ~ Complete ~54:SYSTEM FOR MACHINING AND POSITIONING AUTOMOBILE HUB AND
PRODUCTION LINE FOR INTELLIGENT CLEANING AND PRECISION MACHINING ~71:HANERGY
(QINGDAO) LUBRICATION TECHNOLOGY CO., LTD., No. 23-6, Tianshan Third Road, Jimo District, Qingdao,
People's Republic of China;QINGDAO UNIVERSITY OF TECHNOLOGY, No. 777, Jialingjiang Road, Economic
and Technological Development Zone, Qingdao, People's Republic of China ~72: CAO, Huajun;CHEN, Yun;LI,
Changhe;LIU, Bo;LIU, Dewei;LU, Bingheng;MAO, Cong;WU, Qidong;ZHOU, Zongming~ 33:CN
~31:202110885730.4 ~32:03/08/2021

2021/09711 ~ Complete ~54:TELMISARTAN FOR THE TREATMENT OF CHRONIC KIDNEY DISEASE IN
DOGS ~71:BOEHRINGER INGELHEIM VETMEDICA GMBH, Binger Strasse 173, Germany;UNIVERSITY OF

GEORGIA RESEARCH FOUNDATION, INC., 310 East Campus Road, Tucker Hall, United States of America ~72: BROWN, Scott, Alan;CREEVY, Kate, Elizabeth;ERICKSON COLEMAN, Amanda;FERREIRA. DE MOURA LOURENCO, Bianca, Natflia;TRAAS, Anne, Michelle~ 33:US ~31:62/871,752 ~32:09/07/2019

2021/09716 ~ Complete ~54:L-THREONINE EXPORT PROTEIN VARIANT AND METHOD FOR PRODUCTION OF L-THREONINE USING SAME ~71:CJ CHEILJEDANG CORPORATION, 330, DONGHO-RO, JUNG-GU, SEOUL 04560, REP OF KOREA, Republic of Korea ~72: CHOI, Sol;KIM, Hyo Jin;LEE, Ji Sun;SEO, Chang Il~ 33:KR ~31:10-2019-0111509 ~32:09/09/2019

2021/09696 ~ Complete ~54:APTAMER RIBOZYME SEQUENCES ~71:HUNAN INSTITUTE OF ENGINEERING, No. 88, Fuxing East Road, Xiangtan, Hunan, 411104, People's Republic of China ~72: FU, Xin;YANG, Mei;ZHANG, He;ZHANG, Peirou~

2021/09700 ~ Complete ~54:MIXED METAL PHOSPHIDE-BASED HOLLOW NANO-BOX AS WELL AS PREPARATION METHOD AND APPLICATION THEREOF ~71:ANHUI UNIVERSITY OF SCIENCE AND TECHNOLOGY, NO.168, TAIFENG STREET, People's Republic of China ~72: HONG, JIE;LI, LUHAN;LI, ZIYAO;NIE, ZHICHENG;YE, YING;ZHANG, LEI~

2021/09703 ~ Complete ~54:SELF-FEEDBACK TEMPERATURE ADJUSTING METHOD AND SYSTEM FOR INDEPENDENT HEATING SYSTEM ~71:QILU UNIVERSITY OF TECHNOLOGY, No. 3501 Daxue Road, Changqing District, Jinan City, People's Republic of China ~72: LIANG, Yuxiang;MENG, Hailong;MU, Yantong;ZHAO, Huihong;ZHAO, Mendi~

2021/09713 ~ Complete ~54:CONTAINER HAVING A SELF-SUPPORTING COVER FOR AN OUTLET ~71:SCHOELLER ALLIBERT GMBH, SACKTANNEN, 19057 SCHWERIN, GERMANY, Germany ~72: COPE, Andrew, Christopher;STRINGER, John, Andrew~ 33:EP ~31:19172036.6 ~32:30/04/2019

2021/09728 ~ Complete ~54:SYSTEM UTILIZING SEA ICE FLOE IN DESERT AND METHOD THEREOF ~71:ALPINE ALA TECHNOLOGIES OF SHANGHAI CO., LTD., Room 118, Building 20, Hongxiang Be8ilu Nong 83, the Lingang Industrial Area, People's Republic of China ~72: Zhou Lianhui~ 33:WO ~31:PCT/CN2020/100387 ~32:06/07/2020

2021/09664 ~ Provisional ~54:SYSTEM AND METHOD FOR DRESSING AVATARS IN BRANDED CLOTHING & ACCESSORIES FOR A VIRTUAL MEETING ~71:bridgeur Inc., 5670 Wilshire Boulevard, Suite 1800, United States of America ~72: Shenai Bridglall~

2021/09689 ~ Complete ~54:PROCESSING METHOD OF HIGH CONTENT GALLIC ACID RIPE PU'ER TEA ~71:Yunnan Shuangjiang Mengku Tea Co., Ltd., No. 1189, Yunjing Road, Shahe Township, Shuangjiang County, Lincang, Yunnan, People's Republic of China ~72: Fuqiao LIU;Haibo YUAN;Jiafu RONG;Jinjie HUA;Shuangjiang Li;Xingliang LI;Yuting RONG~

2021/09693 ~ Complete ~54:WINE YEAST WITH LOW-YIELD HIGHER ALCOHOLS ~71:TAISHAN UNIVERSITY, 525 Dongyue Street, Daiyue District, Tai'an City, Shandong, 271000, People's Republic of China ~72: DU, Yuanpeng;QIN, Weishuai;WU, Feng;ZHAI, Heng;ZHANG, Na;ZHANG, Yuexun~

2021/09705 ~ Complete ~54:POSITIONING SYSTEM WITH ADJUSTABLE CLAMPING FORCE AND MILLING EQUIPMENT FOR RAIL TRANSIT HONEYCOMB WORKPIECE ~71:QINGDAO KAWS INTELLIGENT MANUFACTURING CO. LTD., Room 408, Qingdao International Postdoctoral I&E Park, 506 Huicheng Road, Chengyang District, Qingdao, People's Republic of China;QINGDAO UNIVERSITY OF TECHNOLOGY, No. 777, Jialingjiang Road, Economic and Technological Development Zone, Qingdao, People's Republic of China ~72: CAO, Huajun;CHEN, Yun;GAO, Teng;LI, Changhe;LIU, Bo;LIU, Mingzheng;LU, Bingheng;QIN,

Aiguo;SHI, Zhuang;WANG, Xiaoming;WU, Qidong;YANG, Min;ZHANG, Naiqing;ZHANG, Yanbin;ZHOU, Zongming~ 33:CN ~31:202110555381.X ~32:20/05/2021

2021/09717 ~ Complete ~54:CALIBRATION OF A GAS SENSOR ~71:SCIOLOGICA CORP., 100 Fillmore Street, Suite 500, Denver, United States of America ~72: BARWELL, Nicholas Paul;CRANE, Barry Colin;MACKENZIE, Alasdair Allan;SAGAR, Praveen~ 33:US ~31:16/402,040 ~32:02/05/2019;33:EP ~31:19190352.5 ~32:06/08/2019

2021/09704 ~ Complete ~54:METHOD FOR REGULATING CRYSTAL HABIT OF ROPIVACAINE ~71:SHANDONG ANALYSIS AND TEST CENTER, No. 19, Keyuan Road, Lixia District, Jinan, People's Republic of China ~72: CAI, Lun;CHENG, Yan;DU, Shichao;WANG, Yan;XUE, Fumin;YU, Shuai~

2021/09719 ~ Complete ~54:PRESSURE REGULATING SYSTEM FOR A BEVERAGE CONTAINER AND BEVERAGE CONTAINER PROVIDED THEREWITH ~71:HEINEKEN SUPPLY CHAIN B.V., Tweede Weteringplantsoen 21, Netherlands ~72: DE GROOT, Allard;VLASVELD, Daniël Petrus Nicolaas~ 33:NL ~31:2023563 ~32:24/07/2019

2021/09737 ~ Complete ~54:COMPOUND USED AS KINASE INHIBITOR AND APPLICATION THEREOF ~71:TYK Medicines, Inc., Room 1403-2, Block A, Changxing World Trade Building, No. 1278 Mingzhu Road, Changxing Economic Development Zone, HUZHOU 313100, ZHEJIANG, CHINA (P.R.C.), People's Republic of China ~72: LI, Jun;LIANG, Apeng;NIU, Chengshan;WU, Yusheng~ 33:CN ~31:201910379104.0 ~32:08/05/2019

2021/09671 ~ Complete ~54:METHOD FOR PREVENTING AND CONTROLLING OUTBURST DISASTERS DOMINATED BY GROUND STRESS OF HARD ROOF WORKING FACE ~71:China Coal Technology and Engineering Group Chongqing Research Institute Co., Ltd., No. 6, Kecheng Road, Jiulongpo District, Chongqing, 400039, People's Republic of China;Shaanxi Shanmei Hancheng Mining Co., Ltd, Jinta East Road, Xincheng District, Hancheng City, Shaanxi Province, 715400, People's Republic of China ~72: CHEN, Shaoxiang;CHEN, Zhiyong;HE, Linpeng;LI, Chengcheng;LI, Shengzhou;LI, Siqian;LIU, Jun;LU, Zhanjin;REN, Qihan;WANG, Jianli;WANG, Zhonghua;XU, Junjian;XU, Zunyu;YUAN, Benqing;ZHAO, Junli~

2021/09672 ~ Complete ~54:STREAMLINE ECOLOGICAL ISLAND BODY FENCE AND CONSTRUCTION METHOD THEREOF ~71:Northeast Institute of Geography and Agroecology, Chinese Academy of Sciences, 4888 Shengbei Street, Gaixin North District, Kuancheng District, Changchun City, Jilin Province, 130102, People's Republic of China ~72: AN, Yu;QI, Qing;TONG, Shouzheng;ZHANG, Dongjie;ZHANG, Mingye~

2021/09709 ~ Complete ~54:AUTOMOBILE HUB FIXTURE, MACHINING DEVICE, AND PRODUCTION LINE ~71:HANERGY (QINGDAO) LUBRICATION TECHNOLOGY CO., LTD., No. 23-6, Tianshan Third Road, Jimo District, Qingdao, People's Republic of China;QINGDAO UNIVERSITY OF TECHNOLOGY, No. 777, Jialingjiang Road, Economic and Technological Development Zone, Qingdao, People's Republic of China ~72: CAO, Huajun;CHEN, Yun;LI, Changhe;LIU, Bo;LIU, Dewei;LU, Bingheng;MAO, Cong;WU, Qidong;ZHOU, Zongming~ 33:CN ~31:202110885730.4 ~32:03/08/2021

2021/09712 ~ Complete ~54:VARIANT DIHYDRODIPICOLINATE REDUCTASE POLYPEPTIDE AND METHOD OF PRODUCING L-THREONINE USING THE SAME ~71:CJ CHEILJEDANG CORPORATION, 330, DONGHO-RO, JUNG-GU, SEOUL 04560, REP OF KOREA, Republic of Korea ~72: BAEK, Mina;KWON, Su Yon;LEE, Imsang;LEE, Kwang Woo;SON, Seung-ju~ 33:KR ~31:10-2019-0119159 ~32:26/09/2019

2021/09726 ~ Complete ~54:FLOW DETECTION CIRCUIT ~71:HEINEKEN SUPPLY CHAIN B.V., Tweede Weteringplantsoen 21, Netherlands ~72: DRONKERT, Johannes Adriaan;GRIFFIOEN, Edwin Johannes Cornelis~ 33:WO ~31:PCT/NL2019/050345 ~32:06/06/2019

2021/09734 ~ Complete ~54:METHOD AND SYSTEM FOR CALCULATING THE ENERGY AVAILABLE IN AN ELECTRIC BATTERY AT ANY MOMENT DURING THE LIFE THEREOF, WITHOUT DISCHARGING SAME, AND THE AUTONOMY, CAPACITY AND REMAINING LIFE THEREOF ~71:PARRES GARCÍA, Luis Arturo, c/ Joaquiín Bau, Nº 5, MADRID 28036, SPAIN, Spain ~72: PARRES GARCÍA, Luis Arturo~ 33:ES ~31:P 201900184 ~32:18/12/2019

2021/09675 ~ Complete ~54:A FULL LINING DEBRIS FLOW DRAINAGE GROOVE AND ITS CONSTRUCTION METHOD BASED ON SIMPLE PILE ENERGY DISSIPATION ~71:Linyi University, Middle Section of Shuangling Road, Lanshan District, Linyi City, Shandong Province, 276000, People's Republic of China ~72: Jia Chuanyang;Li Wei;Sun Xizhen;Wang Hailong;Yu Xianbin~ 33:CN ~31:202111399044.2 ~32:24/11/2021

2021/09678 ~ Complete ~54:MULTIFUNCTIONAL CAR TRANSPORTER WITH MANTIS-ARM-LIKE FRONT AND REAR DOUBLE LIFTING MECHANISMS ~71:SHANDONG UNIVERSITY OF SCIENCE AND TECHNOLOGY, No.579 Qianwangang Road, Huangdao District, Qingdao, Shandong Province, 266590, People's Republic of China ~72: NIE, Zhifeng~

2021/09681 ~ Complete ~54:AN ELECTRONIC-IONIC POLYMER SENSOR FOR VOLTAGE GENERATION ~71:GRAPHIC ERA (DEEMED TO BE) UNIVERSITY, 566/6, Bell Road, Clement Town, Dehradun , Uttarakhand, 248002, India;GRAPHIC ERA HILL UNIVERSITY, DEHRADUN CAMPUS, 510, Society Area, Clement Town, Dehradun, Uttrakhand, 248002, India ~72: Dr. Varij Panwar;Shiv Ashish Dhondiyal;Sumeshwar Singh~ 33:IN ~31:202111031529 ~32:14/07/2021

2021/09688 ~ Complete ~54:CONVENIENT-TO-ADJUST EXAMINATION TABLE FOR OPHTHALMOLOGY ~71:Puyang Anyang Regional Hospital, No.41 Dengta Road, Beiguan District, Anyang City, Henan Province, 455000, People's Republic of China ~72: LI, Ke;LI, Yanli;LIU, Yanyan~ 33:CN ~31:2021113063600 ~32:05/11/2021

2021/09707 ~ Complete ~54:FERTILIZER GRINDING MECHANISM, WATER AND FERTILIZER MIXING DEVICE, AND AQUEOUS FERTILIZER SOLUTION PREPARATION PRODUCTION LINE ~71:HANERGY (QINGDAO) LUBRICATION TECHNOLOGY CO., LTD., No. 23-6, Tianshan Third Road, Jimo District, Qingdao, People's Republic of China;QINGDAO UNIVERSITY OF TECHNOLOGY, No. 777, Jialingjiang Road, Economic and Technological Development Zone, Qingdao, People's Republic of China ~72: LI, Changhe;LIU, Mingzheng;LIU, Xiaochu;LU, Bingheng;LU, Yue;SHI, Mingcun;WANG, Xiaoming;ZHANG, Xiaowei;ZHOU, Zongming~ 33:CN ~31:202110857191.3 ~32:28/07/2021

2021/09723 ~ Complete ~54:METHOD FOR TREATING COUGH BY USING DIAMINOPYRIMIDINE COMPOUND ~71:BEIJING TIDE PHARMACEUTICAL CO., LTD., No.8 East Rongjing Street, BDA, Beijing, 100176, People's Republic of China ~72: HONGJUN WANG;HUAI HUANG;HUINING LIANG;JIN WANG;LIYING ZHOU;RAN AN;YANAN LIU;YANPING ZHAO;YUANYUAN JIANG;ZHOU LAN~ 33:CN ~31:PCT/CN2019/085180 ~32:30/04/2019

2021/09729 ~ Complete ~54:METHOD FOR BUILDING ARTIFICIAL DESERT HILLS BY WASTE TYRES ~71:ALPINE ALA TECHNOLOGIES OF SHANGHAI CO., LTD., Room 118, Building 20, Hongxiang Beilu Nong 83, the Lingang Industrial Area, People's Republic of China ~72: Zhou Lianhui~ 33:WO ~31:PCT/CN2020/102926 ~32:20/07/2020

2021/09736 ~ Complete ~54:THIN-LAYER TREATMENT DEVICE ~71:Aurotec GmbH, Seestraße 11, REGAU 4844, AUSTRIA, Austria;Buss-SMS-Canzler GmbH, Hohenrainstrasse 10, PRATTELN 4133, SWITZERLAND, Switzerland ~72: AIGNER, Paul;KITZLER, Hannes;LONGIN, Michael;NAEF, Rainer;ZAUNER, Philipp;ZIKELI, Stefan~ 33:EP ~31:19179678.8 ~32:12/06/2019

2021/09702 ~ Complete ~54:METHOD FOR DECOUPLING TEST ~71:SHANDONG UNIVERSITY OF SCIENCE AND TECHNOLOGY, 579 Qianwangang Road, Huangdao, People's Republic of China ~72: CHEN, Shi;LIU, Yang;SHA, Jing;YAO, Huichen~

2021/09706 ~ Complete ~54:AUTOMATED LSP PROCESS EQUIPMENT SYSTEM FOR AERO-ENGINE BLADE ~71:QINGDAO UNIVERSITY OF TECHNOLOGY, No. 777, Jialingjiang Road, Economic and Technological Development Zone, Qingdao, People's Republic of China;SICHUAN FUTURE AEROSPACE INDUSTRY LLC, Economic Development Zone (Lingjie Park), Shifang, People's Republic of China ~72: GAO, Wei;LI, Ang;LI, Changhe;LIU, Bo;LIU, Mingzheng;LU, Bingheng;WANG, Binwei;YAO, Jiazhi;ZHANG, Shun;ZHANG, Yanbin;ZHANG, Yu;ZHANG, Zechen~ 33:CN ~31:202110936936.5 ~32:16/08/2021

2021/09710 ~ Complete ~54:WATER POWERD ENGINE CODE NAME WADIC ENGINE ~71:Siphiwe Aubrey Shongwe, 12275 Masemola Drive Meadowlands West Zone09, South Africa ~72: Siphiwe Aubrey Shongwe~

2021/09732 ~ Complete ~54:COMPOSITION FOR PREVENTION OR TREATMENT OF HAIR LOSS INCLUDING HAPLN1 ~71:HapInScience Inc., B-1001, 10F, 660, Daewangpangyo-ro, Bundang-gu, SEONGNAM-SI 13494 , GYEONGGI-DO, REPUBLIC OF KOREA, Republic of Korea ~72: BACK, Moon Jung;HA, Hae Chan;JANG, Ji Min;KIM, Dae Kyong;SHIN, In Chul;ZHOU, Dan~ 33:KR ~31:10-2019-0050698 ~32:30/04/2019;33:KR ~31:10-2020-0051429 ~32:28/04/2020

2021/09743 ~ Complete ~54:METHODS FOR PRODUCTION OF ERGOTHIONEINE ~71:DANMARKS TEKNISKE UNIVERSITET, Anker Engelunds Vej 101 A, Denmark ~72: BORODINA, Irina;DARBANI SHIRVANEHDEH, Behrooz;KELL, Douglas Bruce;VAN DER HOEK, Steven~ 33:EP ~31:19171749.5 ~32:30/04/2019

2021/09745 ~ Complete ~54:IMPROVED OPHTHALMIC APPARATUS ~71:ADAPTICA S.R.L., Via San Marco, Italy ~72: BACCO, Paolo;CAPRARO, Ivan;MENEGHINI, Gianluigi~ 33:IT ~31:102019000003127 ~32:04/03/2019

2021/09667 ~ Complete ~54:AN EXPERIMENTAL PLATFORM OF BIM BUILDING ~71:Jinzhongzheng Project Management Co., Ltd., Room 411, 4th Floor, Innovation Building, Block A, Shuangyueyuan Road Science and Technology Pioneer Park, High-tech District, Linyi City, Shandong Province, 276000, People's Republic of China;Linyi University, Middle Section of Shuangling Road, Lanshan District, Linyi City, Shandong Province, 276000, People's Republic of China ~72: Chen Ben;Fan Jinjuan;Ji Chaowen;Song Xiaoyuan;Wang Jingbo;Wu Jinyi;Yuan Zhongxiang~

2021/09674 ~ Complete ~54:A VACCINATION MOBILE STATION FOR DISEASE PREVENTION AND CONTROL ~71:Shanghai Jiading District Center for Disease Control and Prevention, 264 Tacheng Road, Jiading District, Shanghai, 201800, People's Republic of China ~72: Chen Donghua;Gong Gang;Liu Feng;Mao Yuhua;Zhang Dandan~ 33:CN ~31:202111426396.2 ~32:27/11/2021

2021/09677 ~ Complete ~54:EXPLORATION METHOD FOR ENRICHMENT AREA OF GEOTHERMAL WATER IN GRANITE GEOTHERMAL RESERVOIRS ~71:801 Institute of Hydrogeology and Engineering Geology, SPBGM, 13632 Jingshi Road, Lixia District, Jinan City, Shandong Province, People's Republic of China;Dizi New Energy Technology Co. LTD, 6596 Dongfanghongdong Road, Economic and technological development zone, Dezhou City, Shandong Province, People's Republic of China;Shandong Lunan Geological Engineering Survey Institute, 272 Jianshe East Road, Yanzhou District, Jining City, Shandong Province, People's Republic of China;Shandong No.3 Exploration Institute of Geology and Mineral Resources, 271 Jichang Road, Zhifu District, Yantai City, Shandong Province, People's Republic of China;Shandong Provincial Bureau of Geology and Mineral Resources (SPBGM), No.74 Lishan Road, Lixia District, Jinan City, Shandong Province, People's Republic of

China ~72: Bai Tong;Kang Fengxin;Ma Zhemin;Shi Meng;Shi Qipeng;Sui Haibo;Wei Shanming;Zhao Hui;Zheng Tingting;Zhou Qundao~

2021/09680 ~ Complete ~54:PREPARATION METHOD OF MICROPOROUS MEMBRANES AND FILTER DEVICE FOR STEEL METALLURGICAL SEWAGE ~71:University of Science and Technology Beijing, 30 Xueyuan Road, Haidian District, Beijing, People's Republic of China ~72: Liu Ke;Shi Chunhong;Wang Rongyue;Yuan Zhangfu;Zhang Han;Zhang Yangang;Zhao Linfei~

2021/09694 ~ Complete ~54:SPECIAL FERTILIZER FOR RICE SEEDLING RAISING AND PREPARATION METHOD THEREOF ~71:Dongying Huake Agricultural Technology Co., Ltd., North of the Seventh Main Canal, East of Boxin Road, Yong'an Town, Kenli District, Dongying City, Shandong Province, 257500, People's Republic of China ~72: CUI, Shujun;SHAO, Guangjie;XU, Fengqin~

2021/09695 ~ Complete ~54:TWO-STAGE LEVER TYPE MECHANICS EXPERIMENTAL DEVICE ~71:Qingdao University of Science and Technology, No. 99 Songling Road, Laoshan District, Qingdao, Shandong, 266061, People's Republic of China ~72: LI, Jianguang;LI, Jiwei;SHI, Xiao;SU, Chuanqi;WANG, Yanchun;ZOU, Huisong~

2021/09715 ~ Complete ~54:OPTIMIZED USER EQUIPMENT CAPABILITIES SIGNALING INCLUDING RECOVERY FROM DATABASE FAILURE ~71:NOKIA TECHNOLOGIES OY, KARAKAARI 7, 02610 ESPOO, FINLAND, Finland ~72: CASATI, Alessio~

2021/09718 ~ Complete ~54:FAST INTELLIGENT FINE-ADJUSTMENT SYSTEM AND FINE-ADJUSTMENT METHOD FOR CRTSⅢ-TYPE TRACK SLAB ~71:CHINA TIESIJU CIVIL ENGINEERING GROUP CO., LTD, No.96, East Wangjiang Road, People's Republic of China;THE FIFTH ENGINEERING CO., LTD OF CHINA TIESIJU CIVIL ENGINEERING GROUP, No. 369 South Qingnian Road, People's Republic of China ~72: HUANG, Min;LI, Chen;LI, Qiang;LIU, Peifeng;OUYANG, Chuili;WANG, Jialei;WANG, Minggang;ZHAO, Xiaoming~ 33:CN ~31:202010365254.9 ~32:30/04/2020

2021/09721 ~ Complete ~54:SOLID FORM OF DIAMINOPYRIMIDINE COMPOUND OR HYDRATE THEREOF, PREPARATION METHOD THEREFOR, AND APPLICATION THEREOF ~71:BEIJING TIDE PHARMACEUTICAL CO., LTD., No.8 East Rongjing Street, BDA, Beijing, 100176, People's Republic of China ~72: CHEUNGLING CHENG;HONGJUN WANG;HUAI HUANG;JIANMEI PANG;JIE MENG;KAI LIU;LIYING ZHOU;NANA TIAN;SHENZHEN FU;XICHAO CHEN;XUELIAN LIU;YANAN LIU;YANPING ZHAO;ZEWANG FENG~ 33:CN ~31:PCT/CN2019/085207 ~32:30/04/2019

2021/09725 ~ Complete ~54:DEVICES, SYSTEM, AND METHODS FOR TRACKING PRODUCTS USING BIOLOGICAL BARCODES AND GENETICALLY MODIFIED ORGANISMS CONTAINING THE SAME ~71:AANIKA BIOSCIENCES, INC., 67 35th St., Suite B21, Brooklyn, New York, 11232, United States of America ~72: ARJETA MARKASEVIC;EDUARDO MORALES;ELLEN JORGENSEN;GERMAN SABIO;NOAH DWORAKOWSKI;VISHAAL BHUYAN~ 33:US ~31:62/854,363 ~32:30/05/2019;33:US ~31:62/854,366 ~32:30/05/2019;33:US ~31:62/970,920 ~32:06/02/2020;33:US ~31:62/972,367 ~32:10/02/2020

2021/09730 ~ Complete ~54:MULTI-COMPRESSOR AND MULTI-FUNCTION ELECTRICITY GENERATING SYSTEM DIRECTLY LINKING TO WINDMILL ~71:ALPINE ALA TECHNOLOGIES OF SHANGHAI CO., LTD., Room 118, Building 20, Hongxiang Beilu Nong 83, the Lingang Industrial Area, People's Republic of China ~72: Gong Mao;Zhou Lianhui~ 33:WO ~31:PCT/CN2020/115315 ~32:12/09/2020

2021/09733 ~ Complete ~54:APPARATUS FOR MONITORING VALVE EXPANSION ~71:Edwards Lifesciences Corporation, One Edwards Way, IRVINE 92614, CA, USA, United States of America ~72: COHEN, Oren;SCHWARCZ, Elazar Levi;WITZMAN, Ofir~ 33:US ~31:62/978,193 ~32:18/02/2020

2021/09668 ~ Complete ~54:APPLE ROOTSTOCK SPECIFIC MOLECULAR MARKER, SCREENING METHOD AND THEIR APPLICATIONS ~71:Shandong Dafengyuan Agriculture Co., Ltd., Kouguan Town Station, Wulian County, Rizhao City, Shandong Province, 276800, People's Republic of China;Weifang University of Science and Technology, 166 Xueyuan Road, Shouguang County, Weifang City, Shandong Province, 262700, People's Republic of China ~72: Li Meiqin;Liu Xiaoming;Liu Yongguang;Lyu Jinfu;Ni Xiumei;Wang Yanjuan;Xue Qiqin;Yang Yuanyuan;Zhong Xingyu~ 33:CN ~31:202110536824.0 ~32:17/05/2021

2021/09669 ~ Complete ~54:LIFTING TYPE LIQUID NITROGEN REFRIGERATION DEVICE FOR AQUATIC PRODUCTS ~71:Zhejiang Wanli University, No. 8, Qianhu South Road, Yinzhou Central District, Ningbo City, Zhejiang Province, 315000, People's Republic of China ~72: CAO, Shaoqian;QI, Xiangyang;YANG, Hua;ZHANG, Hui'en~

2021/09682 ~ Complete ~54:A PREPARATION AND APPLICATION OF GATHERER TO ENRICH PHAGE FAST AND DIRECTLY ~71:Jimei University, 185 Yinjiang Rd., Jimei District, Xiamen, Fujian, 361021, People's Republic of China ~72: FU, Hanqing;LIN, Mao~

2021/09685 ~ Complete ~54:NEW BACILLUS STRAIN HSY204 AND INSECTICIDAL GENES AND USE THEREOF ~71:HSY Biotechnology Co., Ltd., Room 102, 10th Floor, Experimental Center Building, Hainan Normal University, 99 Longkun South Road, Qiongsan District, Haikou City, Hainan Province, 571199, People's Republic of China;Hainan Normal University, Hainan Normal University, 99 Longkun South Road, Qiongsan District, Haikou City, Hainan Province, 571199, People's Republic of China ~72: CAI, Yuchen;FAN, Ziyu;HE, Jiali;JIA, Luyu;WANG, Ruiping;WU, Jiangyu;ZHANG, Wenfei;ZHANG, Xudong~

2021/09673 ~ Complete ~54:SMART HEALTH MONITORING SYSTEM ~71:GRAPHIC ERA (DEEMED TO BE UNIVERSITY), 566/6, Bell Road, Clement Town, Dehradun, Uttarakhand, 248002, India ~72: Dr. Bhahskar Pant;Dr. D. P. Singh;Dr. Mohammad Wazid~ 33:IN ~31:202011053677 ~32:10/12/2020

2021/09687 ~ Complete ~54:VEHICULAR UNFAVORABLE WEATHER REAL-TIME PERCEPTION AND ANTI-COLLISION EARLY WARNING METHOD ~71:Shandong University of Science and Technology, 579 Qianwangang Road, Economic and Technological Development Zone, Qingdao, Shandong Province, 266590, People's Republic of China ~72: LIN, Lifei;LIU, Zhaohui;WANG, Chao;WANG, Junbo;WANG, Linjie~

2021/09714 ~ Complete ~54:MODIFIED POLYPEPTIDE OF MESO-DIAMINOPIMELATE DEHYDROGENASE AND METHOD FOR PRODUCING L-THREONINE USING THE SAME ~71:CJ CHEILJEDANG CORPORATION, 330, DONGHO-RO, JUNG-GU, SEOUL 04560, REP OF KOREA, Republic of Korea ~72: BAEK, Mina;KWON, Su Yon;LEE, Imsang;LEE, Kwang Woo;SON, Seung-ju~ 33:KR ~31:10-2019-0119058 ~32:26/09/2019

2021/09731 ~ Complete ~54:DOSAGE REGIMENS FOR AND COMPOSITIONS INCLUDING ANTI-RSV ANTIBODIES ~71:MedImmune Limited, Milstein Building, Granta Park, CAMBRIDGE CB21 6GH, CAMBRIDGESHIRE, UNITED KINGDOM, United Kingdom;Sanofi Pasteur Inc., 1 Discovery Drive, SWIFTWATER 18370, PA, USA, United States of America ~72: KHAN, Anis Ahmed;PIERRE, Vadryn~ 33:US ~31:62/840,701 ~32:30/04/2019

2021/09738 ~ Complete ~54:AFABICIN FOR USE FOR TREATING BACTERIAL INFECTIONS INVOLVING BIOFILM ~71:Debiopharm International S.A., Forum "après-demain", Chemin Messidor 5-7, LAUSANNE 1002, SWITZERLAND, Switzerland ~72: NOWAKOWSKA, Justyna~ 33:EP ~31:19180281.8 ~32:14/06/2019

2021/09741 ~ Complete ~54:A MOUTHPIECE AND AN ARTICLE FOR USE IN AN AEROSOL PROVISION SYSTEM ~71:Nicoventures Trading Limited, Globe House, 1 Water Street, LONDON WC2R 3LA, UNITED

KINGDOM, United Kingdom ~72: DAVIES, Ianto;DUBEY, Umesh;GRISHCHENKO, Andrei;SPENDLOVE, David~
33:GB ~31:1908353.4 ~32:11/06/2019

2021/09691 ~ Complete ~54:UROLOGY CLEANING DEVICE ~71:Guang'an People's Hospital, No. 1,
Section 4, Binhe Road, Guang'an City, Sichuan Province, People's Republic of China ~72: Chen Hua;Du
Jianhui;Lan Jianhua;Wei Ailin;Xiao Qiqiang;Yang Rui~

2021/09697 ~ Complete ~54:ENVIRONMENT-AWARE NETWORK OPTIMIZATION METHOD AND SYSTEM
~71:CENTRAL CHINA NORMAL UNIVERSITY, NO.152 Luoyu Road, Wuhan, Hubei, 430079, People's Republic
of China ~72: Cao Shuangshuang;Deng Yunze;Ge Di;Liu Sannyuya;Ma Yanmei;Wu Yanwen~ 33:CN
~31:2021113175042 ~32:09/11/2021

2021/09720 ~ Complete ~54:APPARATUS, SYSTEMS AND METHODS FOR ASSESSING INTERNAL ORGANS
~71:DIPITY PTY LTD, 50 Young Street, Australia ~72: DIXON, Barry~ 33:AU ~31:2019902373 ~32:04/07/2019

2021/09684 ~ Complete ~54:BETA-GLUCAN-ENRICHED HIGHLAND BARLEY FLOUR ~71:Qinghai Huashi
Highland Barley Biological Technology Development Co., Ltd., No. 14, North Section of Jing'er Road,
Biotechnology Industrial Park, Chengbei District, Xining, Qinghai, 810016, People's Republic of China;Qinghai
Huashi Technology Investment Management Co., Ltd., No. 17 South Street, Chengzhong District, Xining, Qinghai,
810000, People's Republic of China;Qinghai Zhongcheng Food Testing Co., Ltd., No. 14, North Section of Jing'er
Road, Biotechnology Industrial Park, Chengbei District, Xining, Qinghai, 810016, People's Republic of China ~72:
DU, Yan;FAN, Meixiang;HAO, Jing;LIANG, Feng;LIU, Yu;MA, Guilian;MA, Ping;QI, Xingfang;ZHOU, Wenju~

2021/09686 ~ Complete ~54:VEHICLE SAFETY WARNING SYSTEM UNDER LOW VISIBILITY CONDITION
~71:Shandong University of Science and Technology, No.579, Qianwangang Road, Economic and Technological
Development Zone, Qingdao City, Shandong Province, 266590, People's Republic of China ~72: LIU,
Zhaohui;WANG, Chao;WANG, Junbo~

2021/09690 ~ Complete ~54:CLASSIFIABLE STORAGE DEVICE FOR SPORTS EQUIPMENT ~71:Shandong
University of Science and Technology, No. 579, Qianwangang Road, Huangdao District, Qingdao City, Shandong,
266520, People's Republic of China ~72: ZHAO, Yanpeng~

2021/09699 ~ Complete ~54:PREPARATION PROCESS OF POROUS CARBON NANOSPHERES ~71:ANHUI
UNIVERSITY OF SCIENCE AND TECHNOLOGY, NO.168, TAIFENG STREET, People's Republic of China ~72:
DONGYIN QIN;MEIYUE JIN;XINHUA HUANG;ZHIROU WANG~

2021/09670 ~ Complete ~54:HYALURONIC ACID MODIFIED HALLOYSITE NANOTUBE/CHITOSAN ENTERIC-
COATED MICROSPHERE LOADED WITH PAEONIFLORIN AND PREPARATION METHOD THEREOF
~71:Linyi University, Middle Section of Shuangling Road, Lanshan District, Linyi City, Shandong Province,
276005, People's Republic of China ~72: LI, Haigang~

2021/09701 ~ Complete ~54:LIQUID LEVEL TRANSMITTER FOR VEHICLE FUEL THEFT PREVENTION
~71:BEIBEN TRUCKS GROUP CO., LTD., No. 9 Binggong East Road, Qingshan District, Baotou City, People's
Republic of China ~72: GAO, Guiqin;HAN, Lining;LV, Biao;QIAO, Zhixing;SUN, Qi;TIAN, Ruijun~

2021/09676 ~ Complete ~54:SLUICE WIRE ROPE CLIMBING AND LASER CLEANING ROBOT ~71:Zhejiang
University of Water Resources and Electric Power, No.508, Xuefu Street, Economic and Technological
Development Zone, Hangzhou City, Zhejiang Province, 310018, People's Republic of China ~72: CHENG,
Yuanqun;FANG, Guisheng;XU, Zhiwen;ZHENG, Gaoan;ZHOU, Weifeng;ZHOU, Yuxuan~

2021/09739 ~ Complete ~54:BLOW MOLDED BALLOON SHOULDER ASSEMBLY FOR A TRANSCATHETER DELIVERY DEVICE ~71:Edwards Lifesciences Corporation, One Edwards Way, IRVINE 92614, CA, USA, United States of America ~72: ZHU, Yidong M.~ 33:US ~31:62/928,951 ~32:31/10/2019

2021/09742 ~ Complete ~54:A PUMP CONTROLLER ~71:WHITE INTERNATIONAL PTY LTD, 52-60 Ashford Avenue, Australia ~72: DIXON, Jamie~ 33:AU ~31:2019901734 ~32:22/05/2019

- APPLIED ON 2021/11/30 -

2021/09914 ~ Complete ~54:CONTAINER DESIGNED FOR REUSE ~71:DUBE, Alexander Memory, D74 Hamilton Way, Summerveld, South Africa ~72: DUBE, Alexander Memory~ 33:ZA ~31:2020/01401 ~32:31/08/2020

2021/09750 ~ Provisional ~54:ENERGY STORAGE DEVICE, SYSTEM AND METHOD ~71:STELLENBOSCH UNIVERSITY, Admin B, Victoria Street, Stellenbosch, South Africa ~72: BASSON, Anton Herman~

2021/09749 ~ Provisional ~54:NANOCOMPOSITE MATERIALS ~71:CSIR, Scientia, Pretoria 0002, SOUTH AFRICA, South Africa;Tshwane University of Technology, Arcadia Campus, 175 Mandela Drive, Arcadia, PRETORIA 0083, Gauteng Province, SOUTH AFRICA, South Africa ~72: FOLORUNSO, Oladipo;HAMAM, Yskandar;KUMAR, Neeraj;RAY, Suprakas;SADIKU, Emmanuel~

2021/09759 ~ Complete ~54:METHOD FOR OBTAINING PREDICTIVE MODEL OF DIMENSION CHANGE TREND OF S136 SERIES STEEL BASED ON RETAINED AUSTENITE CONTENT ~71:Guangdong Dongguan Quality Supervision Testing Center, No. 2, Gongye South Road, Songshanhu National High Tech Zone, Dongguan, 523808, People's Republic of China ~72: FAN, Qixiang;HUANG, Lifeng;LI, Xiaohui;QIU, Huaxing;SUN, Kangbin;WU, Zhenghuan~

2021/09763 ~ Complete ~54:DATA MONITORING SYSTEM AND METHOD OF AIR PARTICULATE MATTER BASED ON BP NEURAL NETWORK ~71:Tianjin Research Institute for Water Transport Engineering, Ministry of Transport, No.37 Xingang 2nd Road, Tanggu District, Tianjin City, People's Republic of China ~72: Bai Lu;Chen Yaohongling;Jing Liang;Li Jinzhao;Liu Xiaomeng;Wang Qingbiao;Wang Yishen;Xue Yonghua;Zhang Binbin;Zhang Chunyi~

2021/09770 ~ Complete ~54:HEART VALVE SEALING DEVICES AND DELIVERY DEVICES THEREFOR ~71:Edwards Lifesciences Corporation, One Edwards Way, IRVINE 92614, CA, USA, United States of America ~72: DELGADO, Sergio;DIXON, Eric Robert;FOREMAN, Rachel Liat David;FRESCHAUF, Lauren R.;GOHRES, Rachel Ann;KWON, Yoon Hee;MCCANN, Alex Philip;POPP, Michael J.;STEARNS, Grant Matthew~ 33:US ~31:62/744,031 ~32:10/10/2018

2021/09774 ~ Complete ~54:RAFT FOUNDATION MOULD AND MODULAR HOUSING UNIT ~71:David Lieberman, 9 Kruger St, Oaklands, 2192, South Africa ~72: David Lieberman;Michael Hart~ 33:ZA ~31:2020/07470 ~32:01/12/2020

2021/09793 ~ Complete ~54:METHODS AND COMPOSITIONS FOR TREATING OBESITY AND/OR SKIN DISORDERS ~71:THE TRUSTEES OF THE UNIVERSITY OF PENNSYLVANIA, 3600 Civic Center Boulevard, 9th Floor, Philadelphia, Pennsylvania, 19104, United States of America ~72: RUTH CHOA;TAKU KAMBAYASHI~ 33:US ~31:62/849,656 ~32:17/05/2019;33:US ~31:62/972,462 ~32:10/02/2020

2021/09784 ~ Complete ~54:GRAVITY TIP CONTAINER ~71:Nimalux (Pty) Ltd., 66 Silverpine Avenue, Moret, RANDBURG 2194, Gauteng, SOUTH AFRICA, South Africa ~72: BOS, Louis Westra~ 33:ZA ~31:2019/03216 ~32:22/05/2019

2021/09762 ~ Complete ~54:USE OF LITSEA CUBEBA EXTRACT AS ANTI-MOULD ADDITIVE OF SILAGE MAIZE ~71:Inner Mongolia Academy of Agricultural and Animal Husbandry Sciences, No. 22, Zhaojun Road, Yuquan District, Hohhot City, Inner Mongolia, 010000, People's Republic of China ~72: GUO, Zhigang;LI, Yanfang;LIAN, Haifei;LIU, Guanghua;SUN, Lin;XUE, Yanlin;YIN, Guomei;ZHANG, Fujin;ZHANG, Lihua;ZHANG, Xinxin;ZHANG, Yao~

2021/09789 ~ Complete ~54:DEVICE AND METHOD FOR MANAGING THE ELECTRICAL ENERGY CONSUMPTION OF A SET OF PASSENGER TRANSPORT VEHICLES ~71:FAIVELEY TRANSPORT TOURS, 75 avenue Yves Farge, ZI Les Yvaudières, 37700 Saint-Pierre-Des-Corps, France ~72: FABRICE LAMIDE;PHILIPPE AUBIN~ 33:FR ~31:FR1906026 ~32:06/06/2019

2021/09753 ~ Provisional ~54:DYNAMIC HUMAN GUIDANCE EXPERT SUPPORT AND TRANSACTIONAL SYSTEM, METHOD AND PLATFORM ~71:JOHANNES BRITS BOSCH, 105 Marais Street, Lochnerhof, South Africa ~72: JOHANNES BRITS BOSCH~

2021/09761 ~ Complete ~54:RAPID IDENTIFICATION METHOD OF TOMATO FUSARIUM WILT BASED ON PCR ~71:Qingdao Agricultural University, No.700 Changcheng Road, Chengyang District, Qingdao City, Shandong Province, People's Republic of China ~72: Li Jingtao;Li Mingchen;Li Yue;Liang Wenxing;Wang Chenyang;Wang Guangyuan;Zheng Yaning~

2021/09772 ~ Complete ~54:FOOD CHOPPER BLADE COLUMN ~71:DART INDUSTRIES INC., 14901 S. Orange Blossom Trail, Orlando, Florida, 32837, United States of America ~72: JOHAN CARRETTE;JUNYU YE;STEVEN J VERBRUGGE~ 33:US ~31:17/153,152 ~32:20/01/2021

2021/09787 ~ Complete ~54:ARTHROPODA REPELLENT COMPOSITION ~71:SanderStrothmann GmbH, Brüsseler Straße 2, GEORGS-MARIENHÜTTE 49124, GERMANY, Germany ~72: SANDER, Michael~ 33:EP ~31:19185690.5 ~32:11/07/2019;33:US ~31:16/921,483 ~32:06/07/2020

2021/09751 ~ Provisional ~54:GOODS AND SERVICE FACILITATION ~71:MARAIS, David John, Pafuri Mews 1, Unit 2, Konavle Ave, South Africa ~72: MARAIS, David John~

2021/09768 ~ Complete ~54:HEART VALVE SEALING DEVICES AND DELIVERY DEVICES THEREFOR ~71:Edwards Lifesciences Corporation, One Edwards Way, IRVINE 92614, CA, USA, United States of America ~72: DELGADO, Sergio;DIXON, Eric Robert;FOREMAN, Rachel Liat David;FRESCHAUF, Lauren R.;GOHRES, Rachel Ann;KWON, Yoon Hee;MCCANN, Alex Philip;POPP, Michael J.;STEARNS, Grant Matthew~ 33:US ~31:62/744,031 ~32:10/10/2018

2021/09779 ~ Complete ~54:SIX-DIMENSIONAL FRACTIONAL ORDER HYPERCHAOTIC SYSTEM AND CHAOTIC SIGNAL GENERATOR ~71:QINGDAO UNIVERSITY OF TECHNOLOGY, No. 777, Jialingjiang East Road, Huangdao Distric, Qingdao, People's Republic of China ~72: LEI, Peng;YU, Chunyu~

2021/09791 ~ Complete ~54:INHIBITORS OF INTEGRATED STRESS RESPONSE PATHWAY ~71:PRAXIS BIOTECH LLC, 1700 Owens Street, Suite 515, San Francisco, California, 94158, United States of America ~72: BRAHMAM PUJALA;DAYANAND PANPATIL;GONZALO ANDRÉS URETA DÍAZ;LUZ MARINA DELGADO OYARZO;SARVAJIT CHAKRAVARTY;SEBASTIAN BERNALES~ 33:US ~31:62/860,676 ~32:12/06/2019;33:US ~31:62/943,666 ~32:04/12/2019

2021/09799 ~ Provisional ~54:COCKROACH SOLUTION ~71:ALUQUMI METRO RAMULIFHO, UNIT 68 SWISS LEGRANDE, 33 KRAALNABOOM AVENUE, South Africa ~72: ALUQUMI METRO RAMULIFHO~

2021/09783 ~ Complete ~54:LACTOBACILLUS COMPOSITIONS AND USES THEREOF ~71:PROBI AB, Ideongatan 1A, Sweden ~72: ÖNNING, Gunilla;AHRNÉ, Siv;HILLMAN, Magnus~ 33:GB ~31:1908154.6 ~32:07/06/2019

2021/09769 ~ Complete ~54:HEART VALVE SEALING DEVICES AND DELIVERY DEVICES THEREFOR ~71:Edwards Lifesciences Corporation, One Edwards Way, IRVINE 92614, CA, USA, United States of America ~72: DELGADO, Sergio;DIXON, Eric Robert;FOREMAN, Rachel Liat David;FRESCHAUF, Lauren R.;GOHRES, Rachel Ann;KWON, Yoon Hee;MCCANN, Alex Philip;POPP, Michael J.;STEARNS, Grant Matthew~ 33:US ~31:62/744,031 ~32:10/10/2018

2021/09792 ~ Complete ~54:METHODS OF TREATING BILE ACID DIARRHEA ~71:THE REGENTS OF THE UNIVERSITY OF CALIFORNIA, 1111 Franklin Street, Twelfth Floor, Oakland, California, 94607-5200, United States of America ~72: ALAN S VERKMAN~ 33:US ~31:62/860,539 ~32:12/06/2019

2021/09760 ~ Complete ~54:METHOD FOR PLANTING ROSES ON BARREN HILLSIDE SANDY SOIL ~71:SHANDONG UNIVERSITY OF TRADITIONAL CHINESE MEDICINE, No.4655, Daxue Road, University Science and Technology Park, Changqing District, Jinan City, Shandong Province, 250355, People's Republic of China ~72: DU, Kan;GAO, Demin;GENG, Yannan;JIANG, Xiumei;SUN, Yan~

2021/09773 ~ Complete ~54:RADIATION-PROOF WALL STRUCTURE FOR CT ROOM OF HOSPITAL ~71:CHINA RAILWAY FIRST GROUP CO., LTD, No. 5, Gexin Road, Hebei District, Tianjin, 300250, People's Republic of China;CHINA RAILWAY FIRST GROUP TIANJIN CONSTRUCTION CO., LTD, No. 5, Gexin Road, Hebei District, Tianjin, 300250, People's Republic of China ~72: CHAO DONG;JIANQING WANG;JIANSHENG SUN;LINA ZHOU;WEI YANG;YU ZHANG;YUNPENG XIAO;ZEJUN LI~

2021/09788 ~ Complete ~54:WIND, PV, BIOMASS ENERGY STORAGE, SUPPLYING AND RECHARGING FOR SMART ELECTRICAL TRANSPORTING SYSTEM ~71:ALPINE ALA TECHNOLOGIES OF SHANGHAI CO., LTD., Room 118, Building 20, Hongxiang Beilu Nong 83, the Lingang Industrial Area, People's Republic of China ~72: Gong Mao;Zhu Dalu~ 33:CN ~31:2019106436360 ~32:17/07/2019

2021/09752 ~ Provisional ~54:LIFT ANGLE CONTROL SYSTEM ~71:KRUGER, ANDRÉ JACQUES, 643 Shubert Road, Melodie , Hartebeespoort, 0260, South Africa ~72: ANDRÉ JACQUES KRUGER~

2021/09754 ~ Complete ~54:SYSTEM AND METHOD FOR CADAVER PERFUSION ~71:BMEC TECHNOLOGIES (PTY) LTD, 6 Aliwal Rd, Kenilworth, South Africa ~72: SMITH, Raphael V~

2021/09778 ~ Complete ~54:NUCLEOTIDE SEQUENCE AND USE THEREOF ~71:JINING MEDICAL UNIVERSITY, No. 16, Hehua Road, Taibai Lake New District, Jining City, People's Republic of China;YANTAI YUHUANGDING HOSPITAL, No. 20, Yuhuangding East Road, Zhifu District, Yantai City, People's Republic of China ~72: CUI, Yanshuo;MI, Tian;WANG, Qiuling;XUE, Qingjie;YU, Meimei~

2021/09780 ~ Complete ~54:TELMISARTAN FOR THE TREATMENT OF HYPERTENSION IN DOGS ~71:BOEHRINGER INGELHEIM VETMEDICA GMBH, Binger Strasse 173, Germany;UNIVERSITY OF GEORGIA RESEARCH FOUNDATION, INC., 310 East Campus Road, Tucker Hall, United States of America ~72: BROWN, Scott, Alan;COLEMAN, Amanda, Erickson;CREEVY, Kate, Elizabeth;FERREIRA. DE MOURA LOURENCO, Bianca, Natflia;TRAAS, Anne, Michelle~ 33:US ~31:62/871,749 ~32:09/07/2019

2021/09786 ~ Complete ~54:MODIFIED RELEASE FORMULATIONS AND USES THEREOF ~71:Sunovion Pharmaceuticals Inc., 84 Waterford Drive, MARLBOROUGH 01752, MA, USA, United States of America ~72: ASADA, Takumi;GALLUPPI, Gerald R.;HOPKINS, Seth Cabot;MARUYAMA, Megumi;TOONGSUWAN,

Siriporn;TSUSHIMA, Yuki~ 33:US ~31:62/856,952 ~32:04/06/2019;33:US ~31:62/872,623
~32:10/07/2019;33:US ~31:62/944,023 ~32:05/12/2019

2021/09790 ~ Complete ~54:BIOACTIVE AGENTS AND METHODS RELATED THERETO ~71:AROA
BIOSURGERY LIMITED, 2 Kingsford Smith Place, Mangere, Auckland, 2022, New Zealand ~72: BARNABY
CHARLES HOUGH MAY;DARREN JOHN DAY;SANDI GRAINNE DEMPSEY~ 33:US ~31:62/857,900
~32:06/06/2019;33:US ~31:63/014,530 ~32:23/04/2020

2021/09765 ~ Complete ~54:MULTI-SCALE FEATURE EXTRACTION TECHNOLOGY BASED ON ORIGINAL
TIME DOMAIN WAVEFORM OF PARTIAL DISCHARGE ~71:Tianjin University, No. 92 Weijin Road, Nankai
District, Tianjin, 300192, People's Republic of China ~72: DONG, Xuejia;FANG, Jing;HUANG, Xingwang;LI,
Qiran;LIU, Yong;WANG, Hao;WANG, Zhihui;WEI, Zhanpeng;ZONG, Hongbao~

2021/09776 ~ Complete ~54:FERMENTATION TANK OF EDIBLE FUNGUS LIQUID STRAIN WITH HIGH YIELD
~71:GuangXi Normal University for nationalities, 23 Fozi Road, Jiangzhou District, Chongzuo City, Guangxi,
People's Republic of China ~72: XIAO Li-ling;YANG Xiu-zeng~

2021/09797 ~ Complete ~54:PROGESTOGEN FOR USE IN THE TREATMENT OF CYTOKINE RELEASE
SYNDROME ~71:SHENZHEN EVERGREEN THERAPEUTICS CO., LTD., 33A, SW Radio and Television
Financial Center, the Intersection of Fuzhong Road 3 and Pengcheng Road 1, Fuxin Community, Lotus Street,
Futian District, People's Republic of China ~72: Tao Tom, DU;Tao, HU;Xin, DU~ 33:CN ~31:2020114975411
~32:17/12/2020

2021/09756 ~ Complete ~54:INNER SUPPORT OF PIPE GALLERY WITH DOUBLE-SIDED OVERLAP SIDE
WALL WITH CONCEALED COLUMN AND INSTALLATION METHOD THEREOF ~71:Fuzhou Urban Rural
Construction Group Co., Ltd., No. 136, Lianjiang South Road, Cangshan District, Fuzhou, Fujian, 350007,
People's Republic of China ~72: Bolin YU;Liang ZHANG;Qiang HUANG;Shun YANG;Weichao LIN;Yin GU;Zuocai
MAO~

2021/09767 ~ Complete ~54:HEART VALVE SEALING DEVICES AND DELIVERY DEVICES THEREFOR
~71:Edwards Lifesciences Corporation, One Edwards Way, IRVINE 92614, CA, USA, United States of America
~72: DELGADO, Sergio;DIXON, Eric Robert;FOREMAN, Rachel Liat David;FRESCHAUF, Lauren R.;GOHRES,
Rachel Ann;KWON, Yoon Hee;MCCANN, Alex Philip;POPP, Michael J.;STEARNS, Grant Matthew~ 33:US
~31:62/744,031 ~32:10/10/2018

2021/09796 ~ Complete ~54:SYSTEM AND METHOD FOR PREPARING METHANOL THEREWITH
~71:PENTAGON MAPLE LEAF INFORMATION TECHNOLOGIES OF KUNSHAN CO., LTD, Room 1507, 6/f
Building 6 Logistics Market, No. 55 Chaoyang, Donglu, Development Zone Kunshan City, People's Republic of
China ~72: Gong Mao;Zhou Lianhui~ 33:WO ~31:PCT/CN2020/096980 ~32:19/06/2020

2021/09781 ~ Complete ~54:BRYOSTATIN COMPOUNDS FOR ENHANCEMENT OF IMMUNOTHERAPY
~71:THE BOARD OF TRUSTEES OF THE LELAND STANFORD JUNIOR UNIVERSITY, Office of the General
Counsel, United States of America ~72: HARDMAN, Clayton;SHIMIZU, Akira J.;WENDER, Paul~ 33:US
~31:62/850,905 ~32:21/05/2019

2021/09785 ~ Complete ~54:IMMUNOSENSOR ~71:Commonwealth Scientific and Industrial Research
Organisation, Clunies Ross Street, ACTON 2601, AUSTRALIAN CAPITAL TERRITORY, AUSTRALIA, Australia
~72: DACRES, Helen;NUTTALL, Stewart;SCOBLE, Judith;SURJADI, Regina;TROWELL, Stephen;WILLIAMS,
Charlotte~ 33:AU ~31:2019901483 ~32:01/05/2019;33:AU ~31:2019901566 ~32:08/05/2019

2021/09747 ~ Provisional ~54:COMPOSITION OF INSTANT NOODLES CONTAINING SUPERFOODS AND A PROCESS FOR THE PREPARATION THEREOF ~71:Superfood Group Inc., 200 Continental Drive, United States of America ~72: Shenai Bridglall~

2021/09771 ~ Complete ~54:METHOD FOR ENCODING AND METHOD FOR DECODING A LUT AND CORRESPONDING DEVICES ~71:DOLBY INTERNATIONAL AB, Apollo Building, 3E, Herikerbergweg 1-35, NL-1101, CN Amsterdam Zuidoost, Netherlands ~72: EMMANUEL JOLLY;PHILIPPE BORDES;PIERRE ANDRIVON~ 33:EP ~31:13305453.6 ~32:08/04/2013;33:EP ~31:13306010.3 ~32:15/07/2013;33:EP ~31:14305109.2 ~32:27/01/2014

2021/09777 ~ Complete ~54:COOKING POUCH ~71:KROG, August Wilhelm, 11 Stanley Street, Farrarmere, Putfontein, South Africa ~72: KROG, August Wilhelm~

2021/09795 ~ Complete ~54:PRESSURE CONTROL DEVICE FOR A BEVERAGE CONTAINER ~71:HEINEKEN SUPPLY CHAIN B.V., Tweede Weteringplantsoen 21, Netherlands ~72: PRONK, Rudolf Maria;SILLINCE, Mark Erich;WOLTERS, Wolter~ 33:US ~31:62/856,955 ~32:04/06/2019;33:NL ~31:2023833 ~32:13/09/2019

2021/09748 ~ Provisional ~54:AN OBJECT HANDLING APPARATUS ~71:BUCKLEY, Jordan, c/o Innovate Durban (RF) NPC, 12 Browns Road, Waterfront, Durban 4001, SOUTH AFRICA, South Africa ~72: BUCKLEY, Jordan~

2021/09794 ~ Complete ~54:VAPOR PHASE METHANOL CARBOXYLATION CATALYST ~71:ENERKEM INC., 1130 Sherbrooke Street, West Montreal, Québec, H3A 2M8, Canada ~72: ARIADNA FUENTE-HERNANDEZ;JENNIFER GIL;STÉPHANE C MARIE-ROSE~ 33:US ~31:62/853,344 ~32:28/05/2019

2021/09782 ~ Complete ~54:CIRCUIT FOR CONTROLLING THE FIRING OF A PYROTECHNIC COMPONENT ~71:NEXTER MUNITIONS, 13 route de la Minière, France ~72: Jean-Luc PERON~ 33:FR ~31:1906632 ~32:21/06/2019

2021/09755 ~ Complete ~54:NOISE CANCELLATION USING SEGMENTED, FREQUENCY-DEPENDENT PHASE CANCELLATION ~71:SILENCER DEVICES, LLC, 128 SUMMIT AVENUE, HACKENSACK, NEW JERSEY 07601, USA, United States of America ~72: JUNQUA, Jean-Claude;SEAGRIFF, Eugene~ 33:US ~31:62/455,180 ~32:06/02/2017;33:US ~31:15/497,417 ~32:26/04/2017

2021/09757 ~ Complete ~54:METHOD FOR PREDICTING TOXICITY OF PRASEODYMIUM TO WHEAT ROOT ELONGATION ~71:Ludong University, No. 186 Middle Hongqi Road, Zhifu District, Yantai City, Shandong Province, 264025, People's Republic of China;Qingdao Agricultural University, No. 700 Changcheng Road, Chengyang District, Qingdao City, Shandong Province, 266109, People's Republic of China;Shandong Institute of Sericulture, No. 21 Zhichu North Road, Zhifu District, Yantai City, Shandong Province, 264001, People's Republic of China ~72: CHEN, Chuanjie;GU, Yinyu;GUO, Xiaohong;LI, Junlin;LI, Meng;LIANG, Xiaoyan;SONG, Ningning;YI, Kuihua;ZHANG, Haiyang~

2021/09766 ~ Complete ~54:APPLE ORCHARD PEST TRAPPING AND RECOGNITION DEVICE AND METHOD ~71:Shandong Agricultural University, 61 Daizong Street, Tai'an City, Shandong Province, 271000, People's Republic of China ~72: HU, Xianliang;LIU, Shuangxi;LIU, Yi;MA, Bo;MU, Junlin;WANG, Jinxing;WANG, Zhen;ZHANG, Zhenghui~ 33:CN ~31:202110981079.0 ~32:25/08/2021

2021/09758 ~ Complete ~54:EST-SSR MOLECULAR MARKER FOR PURITY DETECTION OF PEPPER HYBRIDS AND ITS APPLICATION ~71:Tropical Crops Genetic Resources Institute, Chinese Academy of Tropical Agricultural Sciences, No. 4, West Xueyuan Road, Haikou, Hainan, People's Republic of China ~72: Cao Zhenmu;Liu Weixia;Liu Ziji;Qin Yuling~

2021/09764 ~ Complete ~54:EXPERIMENTAL VISUALIZATION PLATE HEAT EXCHANGER ~71:Qingdao University of Science and Technology, No.99 Songling Road, Laoshan District, Qingdao City, Shandong Province, People's Republic of China ~72: Li Qiang;Liu Bingcheng;Wang Shaoyi;Zhang Mengmeng~

2021/09775 ~ Complete ~54:EXPRESSION AND PURIFICATION METHOD OF RECOMBINANT SEX HORMONE-BINDING GLOBULIN N-TERMINAL 51-218AA ~71:Guangxi Medical University, 22 Shuangyong Road, Qingxiu District, Nanning City, Guangxi Zhuang Autonomous Region, People's Republic of China ~72: Chen Qiuli;He Min;Huang Xuejing;Li Hui;Wen Sha;Yang Lichao~

2021/09798 ~ Complete ~54:PACKET LOSS CONCEALMENT FOR DIRAC BASED SPATIAL AUDIO CODING ~71:FRAUNHOFER-GESELLSCHAFT ZUR FÖRDERUNG DER ANGEWANDTEN FORSCHUNG E.V., Hansastrasse 27c, Germany ~72: DÖHLA, Stefan;EICHENSEER, Andrea;FUCHS, Guillaume;MULTRUS, Markus~ 33:EP ~31:19179750.5 ~32:12/06/2019

- APPLIED ON 2021/12/01 -

2021/09800 ~ Provisional ~54:IMPROVED TRUCK AERODYNAMICS ~71:QUINLAN, Stephen John, No 5 Eyton Terrace, 28 Eyton Road, South Africa ~72: QUINLAN, Stephen John~

2021/09819 ~ Complete ~54:APPLICATION OF FOOD ADDITIVES (HIGHER FATTY ALCOHOLS AND DERIVATIVES) ~71:Zhejiang Grain Science Research Institute Co., Ltd, No.158 Wensan Road, Xihu District, Hangzhou, Zhejiang, People's Republic of China ~72: Jiang Qiushui;Shen Hua;Sun Yiwen~

2021/09821 ~ Complete ~54:TANK ~71:Yafa Holdings (Pty) Ltd, C/O R35 Samora Machel Street & N4 Highway, South Africa ~72: CHENGAPAR, SHANNON~ 33:ZA ~31:2020/07475 ~32:01/12/2020

2021/09831 ~ Complete ~54:BIOENERGETIC COMBINATIONS AND METHODS OF USING SAME ~71:UNILEVER GLOBAL IP LIMITED, Port Sunlight, Wirral, Merseyside, CH62 4ZD, United Kingdom ~72: CHUNG-YI CHIANG;JOHN CHUN-SING NIP;JOSE GUILLERMO ROSA;SHEILA ALVES ROCHA~ 33:EP ~31:19186091.5 ~32:12/07/2019

2021/09835 ~ Complete ~54:METHOD FOR MANAGING FOREST RESOURCE AND ITS SYSTEM THEREOF ~71:PENTAGON MAPLE LEAF INFORMATION TECHNOLOGIES OF KUNSHAN CO., LTD, Room 1507,6/f Building 6 Logistics Market, No.55 Chaoyang, Donglu,Development Zone Kunshan City, People's Republic of China ~72: Gong Mao;Zhou Lianhui~ 33:WO ~31:PCT/CN2020/130587 ~32:20/11/2020

2021/09845 ~ Complete ~54:BINDING MOLECULE SPECIFIC FOR CD73 AND USE OF BINDING MOLECULE ~71:Jacobio Pharmaceuticals Co., Ltd., Unit 2, Building 5, BYBP, No. 88 Kechuang Street 6th, Business Development Area, BEIJING 101111, DAXING, CHINA (P.R.C.), People's Republic of China ~72: LIU, Qinghao;WANG, Hongling;YANG, Haiyan;ZHOU, Wenlai~ 33:IB ~31:2019/090366 ~32:06/06/2019

2021/09853 ~ Complete ~54:METHOD FOR PRODUCING PEPTIDES OR PROTEINS OR PEPTIDOMIMETICS ~71:STRAINCHEM, Rue Emile Duclaux, Biopôle Clermont Limagne, 63360 Saint-Beauzire, France ~72: AUDREY SERRE;JEAN-JACQUES YOUTE TENDOUNG~ 33:FR ~31:1904604 ~32:02/05/2019

2021/09824 ~ Complete ~54:CGRP ANTAGONIST COMPOUNDS ~71:HEPTARES THERAPEUTICS LIMITED, Granta Park Great Abington, Cambridge Cambridgeshire, United Kingdom ~72: BROWN, Giles Albert;CANSFIELD, Andrew, David;CANSFIELD, Julie;CONGREVE, Miles Stuart;DEFLORIAN, Francesca;O'BRIEN, Michael, Alistair;OTT, Gregory, R.;SWAIN, Nigel, Alan;WATSON, Stephen, Paul~ 33:GB ~31:1908430.0 ~32:12/06/2019

2021/09846 ~ Complete ~54:EGFR INHIBITOR FOR THE TREATMENT OF CANCER ~71:F. Hoffmann-La Roche AG, Grenzacherstrasse 124, BASEL 4070, SWITZERLAND, Switzerland ~72: DOLENTE, Cosimo;GOERGLER, Annick;HEWINGS, David;JAESCHKE, Georg;KUHN, Bernd;NAGEL, Yvonne Alice;OBST SANDER, Ulrike;RICCI, Antonio;RUEHER, Daniel;STEINER, Sandra~ 33:EP ~31:19181754.3 ~32:21/06/2019

2021/09801 ~ Provisional ~54:MOPANI WORMS AND FOOD PRODUCTS OF MOPANI WORMS ~71:Elokani Investments (Pty) Ltd, 209 Monaghan Farm, Lanseria, South Africa ~72: Wendy Vesela-Ntimbani~ 33:ZA ~31:001 ~32:30/11/2021

2021/09802 ~ Provisional ~54:GASIFIER ~71:COCHRANE, Richard William, 3 Melrose Arch, 4 Ground Floor, Melrose Arch, South Africa;COCHRANE, William Thomas, 3 Melrose Arch, 4 Ground Floor, Melrose Arch, South Africa ~72: COCHRANE, Richard William;COCHRANE, William Thomas~

2021/09804 ~ Complete ~54:SAFETY AND CONTROL DEVICE ~71:VAN ASWEGEN, Hendrik Willem Troskie, Heuwelsig 14, South Africa;VAN DER MERWE, Willem Johannes Jacobus, Heuwelsig 14, South Africa ~72: VAN ASWEGEN, Hendrik Willem Troskie~ 33:ZA ~31:2021/03606 ~32:27/05/2021;33:ZA ~31:2021/06215 ~32:27/08/2021

2021/09810 ~ Complete ~54:LOADING CONTROL AND DATA SYNCHRONIZATION MONITORING DEVICE FOR TRUE TRIAXIAL MULTI-FIELD COUPLING AND DYNAMIC DISTURBANCE PLATFORM ~71:Central South University, No.932 South Lushan Road, Yuelu District, Changsha City, Hunan, 410083, People's Republic of China ~72: CHEN, Jiangzhan;HUANG, Linqi;LI, Xibing;ZHOU, Shitong~

2021/09830 ~ Complete ~54:DEVICES, COMPOSITIONS AND METHODS FOR COLONIC MICROBIOME ENGRAFTMENT ~71:ANNABEL CLANCY, 9/10 Beatrice Street, Ashfield, New South Wales, 2131, Australia;ANTONY MILIS, 19 Marshall Street, Kogarah, New South Wales, 2217, Australia;THOMAS JULIUS BORODY, Level 1, 229 Great North Road, Five Dock, New South Wales, 2046, Australia ~72: ANNABEL CLANCY;ANTONY MILIS;THOMAS JULIUS BORODY~ 33:US ~31:62/855,099 ~32:31/05/2019;33:US ~31:62/865,881 ~32:24/06/2019;33:US ~31:62/886,767 ~32:14/08/2019;33:US ~31:62/926,522 ~32:27/10/2019

2021/09842 ~ Complete ~54:SCREEN TILE AND MODULAR SCREENING APPARATUS FOR DEWATERING PULP OR SLURRY ~71:FLSmidt A/S, Vigerslev Alle 77, VALBY 2500, DENMARK, Denmark ~72: THEKKUVEETIL, Kishor~ 33:US ~31:62/857,616 ~32:05/06/2019

2021/09808 ~ Complete ~54:A HUMIC ACID EMBEDDED BIOCHAR-NANO HYDROXYAPATITE COMPOSITE MATERIAL AND A PREPARATION METHOD AND APPLICATION THEREOF ~71:Northwest A&F University, No.3, Taicheng Road, Yangling Demonstration Zone, Xianyang City, Shaanxi Province, 712000, People's Republic of China ~72: CHEN, Chun;HU, Yingwei;HUA, Junwen;LI Tao,;LIU, Shuang;WANG, Hanyu;WEI, Gehong;ZHANG, Xike~

2021/09809 ~ Complete ~54:ALL-FIBER FREQUENCY DIVISION MULTIPLEXING WAVELENGTH MODULATION LASER HETERODYNE DETECTION SYSTEM ~71:Anqing Normal University, No. 1318, Jixian North Road, Anhui, Anqing, 246133, People's Republic of China ~72: BAI, Jin;GAO, Xiaoming;HE, Xinyu;LIANG, Chen;SUN, Chunyan;WANG, Guishi;ZHOU, Lichuan~

2021/09814 ~ Complete ~54:TEST DEVICE FOR SIMULATING HEAVY RAIN INDUCED MUCK LANDSLIDE ~71:North China University of Technology, No. 5 Jinyuanzhuang Road, Shijingshan District, Beijing, 100144, People's Republic of China ~72: FENG, Shaojie;FU, Ge;GAO, Chen;HU, Hang;JIN, Songli;LIU, Leipeng;SONG, Zhifei;SUN, Shiguo~ 33:CN ~31:202110193740.1 ~32:20/02/2021

2021/09825 ~ Complete ~54:CGRP ANTAGONIST COMPOUNDS ~71:HEPTARES THERAPEUTICS LIMITED, Granta Park Great Abington, Cambridge Cambridgeshire, United Kingdom ~72: BORTOLATO, Andrea;BROWN, Giles Albert;CANSFIELD, Andrew, David;CANSFIELD, Julie;CHRISTOPHER, John, Andrew;CONGREVE, Miles Stuart;DEFLORIAN, Francesca;O'BRIEN, Michael, Alistair;OTT, Gregory, R.;SWAIN, Nigel, Alan;WATSON, Stephen, Paul~ 33:GB ~31:1908420.1 ~32:12/06/2019

2021/09833 ~ Complete ~54:METHOD FOR EXTRACTING HEMICELLULOSE FROM LIGNOCELLULOSIC MATERIAL ~71:VALMET AB, 851 94 Sundsvall, Sweden ~72: BERDINE COETZEE;HUNPHREY LANDMAN;JOHANN WAUTS;JOUNI KARVONEN;LARI LAMMI;SUSANNA MINNAAR~ 33:SE ~31:1950785-4 ~32:26/06/2019

2021/09843 ~ Complete ~54:EXPANDABLE SHEATH FOR INTRODUCING AN ENDOVASCULAR DELIVERY DEVICE IN TO A BODY ~71:Edwards Lifesciences Corporation, One Edwards Way, IRVINE 92614, CA, USA, United States of America ~72: AVERY, Neal H.;BULMAN, Erik;FINE, Maxwell Harrison;GHANBARI, Sarah;GOWDAR, Alpana Kiran;LEE, Jeong Soo;MAK, Sovanpheap;MERCADO, Raymond;SALEH, Nasser William;SCHERB, Daniel J.;TAMIR, Ilan;TRAN, Sonny;TRAN, Tri D.;TRINH, Uy D.~ 33:US ~31:62/982,253 ~32:27/02/2020;33:US ~31:63/109,171 ~32:03/11/2020

2021/09849 ~ Complete ~54:SYSTEM AND METHOD FOR DETECTING AND REMOVING DEFLECTION STRESSES FROM IRRIGATION MACHINE SPANS ~71:VALMONT INDUSTRIES, INC., One Valmont Plaza, United States of America ~72: MOELLER, Mark;THATCHER, Tracy A.~ 33:US ~31:62/873,392 ~32:12/07/2019

2021/09803 ~ Complete ~54:A SPARE WHEEL LOCKING MECHANISM ~71:BUYS, Izak Jakobus Johannes, 526 Deneysen Avenue, Mountainview, PRETORIA 0082, Gauteng Province, SOUTH AFRICA, South Africa;SMIT, Christian Jacobus, 136 Dirk van Deventer Avenue, Wonderboom, PRETORIA 0182, Gauteng Province, SOUTH AFRICA, South Africa ~72: BUYS, Izak Jakobus Johannes;SMIT, Christian Jacobus~

2021/09817 ~ Complete ~54:PHYTIC ACID DOPED CARBON NITRIDE-POLYANILINE NANOCOMPOSITE AND ITS PREPARATION METHOD AS WELL AS PHYTIC ACID DOPED CARBON NITRIDE-POLYANILINE INTUMESCENT FLAME RETARDANT COATING AND ITS PREPARATION METHOD ~71:Qingdao University of Science and Technology, 99 Songling Road, Laoshan District, Qingdao, Shandong province, People's Republic of China ~72: Chen Xilei;Dong Huixin;Jiao Chuanmei;Li Shaoxiang~

2021/09829 ~ Complete ~54:SUPER-OXIDE DISMUTASE SOLUBLE FIBER COMPOSITIONS ~71:ADVANCE PHARMACEUTICAL, INC, 895 Waverly Avenue, Holtsville, New York, 11742, United States of America ~72: LIAQUAT HOSSAIN~ 33:US ~31:62/860,214 ~32:11/06/2019;33:US ~31:62/992,459 ~32:20/03/2020

2021/09841 ~ Complete ~54:METHOD FOR MANUFACTURING MORTAR-BASED ELEMENTS ~71:Saint-Gobain Weber, 2-4 rue Marco Polo, SUCY-EN- BRIE 94370, FRANCE, France ~72: BLAAKMEER, Jan;HOFMANN, Tanja;NUNES LOBO, Bruno Miguel;OPDENBUSCH, Kersten;PIERTZIK, Lutz~ 33:EP ~31:19182629.6 ~32:26/06/2019

2021/09836 ~ Complete ~54:PHARMACEUTICAL FORMULATIONS OF BI-SPECIFIC DIABODIES AND USE OF THE SAME ~71:MACROGENICS, INC, 9704 Medical Center Drive, United States of America ~72: Ian LENT;Krishnan SAMPATHKUMAR~ 33:US ~31:62/860,082 ~32:11/06/2019;33:US ~31:63/030,010 ~32:26/05/2020

2021/09852 ~ Complete ~54:METHOD FOR PRODUCING MALT ~71:WATER IQ INTERNATIONAL B.V., Hooge Zijde 15, Netherlands ~72: Freddy DEKKERS;Irina BOLAT;Koenraad DUMONT~ 33:NL ~31:2023053 ~32:02/05/2019

2021/09805 ~ Complete ~54:DEVICE AND METHOD FOR TESTING WORKING PERFORMANCE OF LASER RADAR IN BAD WEATHER ~71:Shandong Hi-Speed Construction Management Group CO.LTD., Floor 5-9, Block A1, Haier Greentown Central Plaza, No.0 Long Ding Avenue, Longdong Street, Lixia District, Jinan City, Shandong Province, People's Republic of China;Shandong University, C315, Expressway Building, Xinglongshan Campus, Shandong University, No.12550 Erhuan East Road, Shizhong District, Jinan City, Shandong Province, People's Republic of China ~72: Li Zhouyuan;Liu Hong;Song Jiakang;Wu Jianqing;Xu Qingchao;Yang Ziliang;Zhang Qingtao~

2021/09818 ~ Complete ~54:GENETICALLY ENGINEERED STRAIN FOR EFFICIENTLY SYNTHESIZING MELATONIN AND CONSTRUCTION METHOD AND USE THEREOF ~71:Qingdao Agricultural University, 700 Changcheng Road, Chengyang District, Qingdao City, Shandong Province, 266109, People's Republic of China;Qingdao University of Science and Technology, 53 Zhengzhou Road, Qingdao City, Shandong Province, 266042, People's Republic of China ~72: LI, Jingyuan;ZHAO, Hongwei~

2021/09828 ~ Complete ~54:EXOSOMES FOR DISEASE TREATMENT ~71:CELULARITY INC., 170 Park Avenue, Florham Park, New Jersey, 07932, United States of America ~72: BHAVANI STOUT;HALEY M HARIRI;NAVJOT SHAH;QIAN YE;ROBERT J HARIRI;SHUYANG HE;SRINIVAS SOMANCHI;XIAOKUI ZHANG~ 33:US ~31:62/863,767 ~32:19/06/2019;33:US ~31:62/891,700 ~32:26/08/2019;33:US ~31:62/905,117 ~32:24/09/2019;33:US ~31:62/924,147 ~32:21/10/2019

2021/09837 ~ Complete ~54:TREATMENTS OF ANGIOEDEMA ~71:KalVista Pharmaceuticals Limited, Porton Science Park, Bybrook Road, Porton Down, SALISBURY SP4 0BF, WILTSHIRE, UNITED KINGDOM, United Kingdom ~72: FEENER, Edward Paul;MAETZEL, Andreas;MARSH, Sally Louise;SMITH, Michael David;YEA, Christopher Martyn~ 33:US ~31:62/861,758 ~32:14/06/2019;33:GB ~31:1910125.2 ~32:15/07/2019

2021/09840 ~ Complete ~54:ADAPTABLE DEVICES AND SYSTEMS FOR DOCKING IN CIRCULATORY SYSTEM AND METHODS THEREOF ~71:Edwards Lifesciences Corporation, One Edwards Way, IRVINE 92614, CA, USA, United States of America ~72: ABBOTT, Eason Michael;BUKIN, Michael;DESROSIERS, John J.;GUROVICH, Nikolay;HEYNINCK-JANTZ, Christine Marie;MANASH, Boaz~ 33:US ~31:62/900,059 ~32:13/09/2019

2021/09807 ~ Complete ~54:OXIDATION DEVICE AND OXIDATION EQUIPMENT FOR MANUFACTURING SEMICONDUCTOR COMPONENTS ~71:Zhengzhou University of Aeronautics, No.15 Wenyuan West Road, Zhengdong New District, Zhengzhou City, Henan Province, People's Republic of China ~72: Duan Xiangyang;Fu Linjie;Ma Xiaolong;Wang Haili;Wang Xianli;Wang Yanyan;Xu Kun;Yang Mengjie;Yang Peng;Yu Zhanjun~

2021/09811 ~ Complete ~54:SEPARATION DEVICE WITH TWO-STAGE GAS-LIQUID MIXTURE AND CONICAL SPIRAL FIELDS ~71:China University of Petroleum (East China), No. 66, West Changjiang Road, Huangdao District, Qingdao, Shandong , 266580, People's Republic of China ~72: CHEN, Ji;CHENG, Hui;HAO, Zhongxian;LIU, Chunhua;LIU, Feng;LIU, Xinfu;SHA, Wenhao;SHI, Yongjun;TAO, Junling~

2021/09816 ~ Complete ~54:INTERNET-BASED INNOVATION AND ENTREPRENEURSHIP PLATFORM SYSTEM ~71:Aba Teachers University, Aba Teachers University, Shuimo Town, Wenchuan County, Aba Prefecture, Sichuan Province, People's Republic of China ~72: Huang Chengbing;Li Juan~

2021/09820 ~ Complete ~54:PROTECTION AND MAINTENANCE OF WOODEN TRANSPORT CRATES ~71:SCHOEMAN, Lu, Raubenheimer, 17 SCHOONGELEGEN STREET, HELDERVUE, 7130, SOUTH AFRICA, South Africa ~72: SCHOEMAN, Lu, Raubenheimer~ 33:ZA ~31:2020/07521 ~32:03/12/2020

2021/09834 ~ Complete ~54:NON-HYGROSCOPIC CRYSTALLINE SALTS OF A PYRAZOLE COMPOUND, AND PHARMACEUTICAL COMPOSITIONS AND USE THEREOF ~71:BIOOTHERYX, INC., 7966 Arjons Drive,

Suite D, San Diego, California, 92126, United States of America ~72: ROBERT SULLIVAN~ 33:US
~31:62/856,605 ~32:03/06/2019

2021/09838 ~ Complete ~54:CONVERGENT LIQUID PHASE SYNTHESSES OF OLIGONUCLEOTIDES
~71:Biogen MA Inc., 225 Binney Street, CAMBRIDGE 02142, MA, USA, United States of America ~72: ANTIA,
Firoz;FILLON, Yannick;GRONKE, Robert S.;HAMAGAKI, Takuya;ICHIMARU, Taisuke;JIANG, Hong;KIESMAN,
William F.;NGUYEN, Hien;SHI, Xianglin;TAKAHASHI, Daisuke;YAN, Wuming;ZHOU, Xuan~ 33:US
~31:62/845,160 ~32:08/05/2019

2021/09850 ~ Complete ~54:WOODS TRANSPORTING SYSTEM FOR FOREST WOODS AND ITS METHODS
THEREOF ~71:PENTAGON MAPLE LEAF INFORMATION TECHNOLOGIES OF KUNSHAN CO., LTD, Room
1507,6/f Building 6 Logistics Market, No.55 Chaoyang, Donglu,Development Zone Kunshan City, People's
Republic of China ~72: Zhou Lianhui~ 33:WO ~31:PCT/CN2020/122037 ~32:20/10/2020

2021/09855 ~ Complete ~54:AUTOMATIC BRAKE APPLICATION FOR EMERGENCY STOP
~71:CATERPILLAR INC., 100 NE Adams Street, Peoria, United States of America ~72: MCKNIGHT,
James;WILLIAMSON, James L.~ 33:US ~31:16/433,973 ~32:06/06/2019

2021/09823 ~ Complete ~54:CSI OMISSION RULES FOR ENHANCED TYPE II CSI REPORTING
~71:TELEFONAKTIEBOLAGET LM ERICSSON (PUBL), SE-164 83 STOCKHOLM, SWEDEN, Sweden ~72:
FAXÉR, Sebastian~ 33:US ~31:62/843,048 ~32:03/05/2019

2021/09806 ~ Complete ~54:UNMANNED AERIAL VEHICLE RELAY SELECTION METHOD FOR POST-
DISASTER EMERGENCY SCENARIOS IN UNDERGROUND SPACE ~71:China University of mining and
Technology, No.1, Da Xue Road, Tongshan District, Xuzhou City, Jiangsu Province, People's Republic of
China;Jiangsu Future Networks Innovation Institute, 19 / F, building 2, Yougu, No. 12, mozhou East Road,
Jiangning District, Nanjing City, Jiangsu Province, People's Republic of China ~72: Chen Ruirui;Li Song;Sun
Yanjing;Wang Bowen;Xu Yonggang;Xu Zimeng;Yun Xiao~

2021/09812 ~ Complete ~54:CARBON NITRIDE-POLYANILINE NANOCOMPOSITE AND ITS PREPARATION
METHOD AS WELL AS CARBON NITRIDE-POLYANILINE INTUMESCENT FLAME RETARDANT COATING
AND ITS PREPARATION METHOD ~71:Qingdao University of Science and Technology, 99 Songling Road,
Laoshan District, Qingdao, Shandong province, People's Republic of China ~72: Chen Xilei;Dong Huixin;Jiao
Chuanmei;Li Shaoxiang~

2021/09815 ~ Complete ~54:FLUORESCENT MOLECULAR PROBE CAPABLE OF DETECTING BA2+ IN
WATER AND APPLICATION THEREOF ~71:Dezhou University, Dezhou University, No. 566 University Rd. West,
Decheng District, Dezhou City, Shandong Province, 253023, People's Republic of China ~72: CHEN,
Yuting;KONG, Chunyan;LI, Wenbo;WANG, Aili;WANG, Dunqing;WANG, Fang;ZHAI, Xinyu~ 33:CN
~31:202111104153.7 ~32:22/09/2021

2021/09827 ~ Complete ~54:FORMULATION FOR PAIN MANAGEMENT ~71:ZYUS LIFE SCIENCES INC., 204-
407 Downey Road, Saskatoon, Saskatchewan, S7N 4L8, Canada ~72: BRENTON HAROLD ZETTL~ 33:US
~31:62/842,696 ~32:03/05/2019;33:US ~31:63/011,508 ~32:17/04/2020

2021/09839 ~ Complete ~54:OLIGONUCLEOTIDES AND METHODS OF USE FOR TREATING
NEUROLOGICAL DISEASES ~71:QurAlis Corporation, 700 Main Street, North, CAMBRIDGE 02139, MA, USA,
United States of America ~72: AGRAWAL, Sudhir;BROWN, Duncan;HINCKLEY, Sandra~ 33:US
~31:62/856,264 ~32:03/06/2019;33:US ~31:62/914,252 ~32:11/10/2019;33:US ~31:62/949,817
~32:18/12/2019

2021/09813 ~ Complete ~54:DROPLET DIGITAL POLYMERASE CHAIN REACTION (DDPCR)-BASED RAPID DETECTION METHOD FOR ESCHERICHIA HERMANNII ~71:LINYI UNIVERSITY, Shuangling Road, Lanshan District, Linyi City, Shandong Province, 276013, People's Republic of China ~72: Hu, Xiaojie;Kang, Dacheng;Lei, Zhiwen;Liu, Yunguo;Peng, Shanli;Wang, Fangfang;Zhang, Jie~

2021/09832 ~ Complete ~54:METHOD AND APPARATUS FOR SIGNALING DECODING DATA USING HIGH LEVEL SYNTAX ELEMENTS ~71:INTERDIGITAL VC HOLDINGS, INC., 200 Bellevue Parkway, Suite 300, Wilmington, Delaware, 19809, United States of America ~72: EDOUARD FRANCOIS;MICHEL KERDRANVAT;PHILIPPE BORDES~ 33:EP ~31:19305818.7 ~32:24/06/2019

2021/09844 ~ Complete ~54:FLEX SENSORS FOR MEASURING REAL-TIME VALVE DIAMETER DURING PROCEDURE ~71:Edwards Lifesciences Corporation, One Edwards Way, IRVINE 92614, CA, USA, United States of America ~72: COHEN, Oren;DVORSKY, Anatoly;SCHWARCZ, Elazar Levi;SIROTE, Natanel Simcha~ 33:US ~31:62/945,010 ~32:06/12/2019

2021/09822 ~ Complete ~54:STABILIZATION OF SUSPENSION CONCENTRATES BY ETHOXYLATED RICINOLEIN ~71:BASF SE, CARL BOSCH STRASSE 38, 67056 LUDWIGSHAFEN AM RHEIN, GERMANY, Germany ~72: BENTON, Kara, Walden;XU, Wen~ 33:US ~31:62/842,916 ~32:03/05/2019

2021/09826 ~ Complete ~54:NK1 INHIBITORS FOR THE TREATMENT OF MALARIA ~71:PLUS VITECH, S.L., CURTIDURIAS 3, 1B, 41002 SEVILLA, SPAIN, Spain ~72: SALINAS-MARTIN, Manuel Vicente~ 33:EP ~31:19382353.1 ~32:08/05/2019

2021/09847 ~ Complete ~54:NOVEL MOLECULES ~71:Axelia Oncology Pty Ltd, Level 9, 31 Queen Street, MELBOURNE 3000, VICTORIA, AUSTRALIA, Australia ~72: DEMAISON, Christophe;HOLMES, Ian;JACKSON, David;MCLACHLAN, Grant;ZENG, Weiguang~ 33:AU ~31:2019902231 ~32:26/06/2019;33:AU ~31:2019904862 ~32:20/12/2019

2021/09848 ~ Complete ~54:FOREST OPERATING TROLLEY ~71:PENTAGON MAPLE LEAF INFORMATION TECHNOLOGIES OF KUNSHAN CO., LTD, Room 1507,6/f Building 6 Logistics Market, No.55 Chaoyang, Donglu,Development Zone Kunshan City, People's Republic of China ~72: Zhou Lianhui~ 33:WO ~31:PCT/CN2020/122036 ~32:20/10/2020

2021/09851 ~ Complete ~54:COMPLEX SYSTEM FOR UTILIZING FOREST BIOMASS ENERGY AND ITS METHOD THEREOF ~71:PENTAGON MAPLE LEAF INFORMATION TECHNOLOGIES OF KUNSHAN CO., LTD, Room 1507,6/f Building 6 Logistics Market, No.55 Chaoyang, Donglu,Development Zone Kunshan City, People's Republic of China ~72: Gong Mao;Zhou Lianhui~ 33:WO ~31:PCT/CN2020/121778 ~32:19/10/2020

2021/09854 ~ Complete ~54:METHODS AND COMPOSITIONS FOR TREATING AUTOIMMUNE DISEASES ~71:MAGENTA THERAPEUTICS, INC., 100 Technology Square, 5th Floor, Cambridge, Massachusetts, 02139, United States of America ~72: ANTHONY BOITANO;GEOFFREY O GILLARD;JENNIFER LYNN PROCTOR;MICHAEL COOKE~ 33:US ~31:62/857,232 ~32:04/06/2019;33:US ~31:62/863,141 ~32:18/06/2019;33:US ~31:62/882,310 ~32:02/08/2019;33:US ~31:62/933,279 ~32:08/11/2019;33:US ~31:62/944,988 ~32:06/12/2019;33:US ~31:62/968,870 ~32:31/01/2020;33:US ~31:63/030,860 ~32:27/05/2020

- APPLIED ON 2021/12/02 -

2021/09880 ~ Complete ~54:TALL-THIN CYLINDRICAL TREE SHAPE SUITABLE FOR ULTRA-DENSE APPLE CULTIVATION AND SHAPING AND PRUNING METHOD ~71:Shandong Institute of Pomology, No.66 Longtan

Road, Tai'an City, Shandong Province, People's Republic of China ~72: Chen Ru;Dong Fang;Nie Peixian;Wang Guiping;Xue Xiaomin~

2021/09884 ~ Complete ~54:HEIGHT-ADJUSTABLE FORKLIFT DEVICE ~71:STATE GRID HUZHOU POWER SUPPLY COMPANY, 777 Fenghuang Road. Huzhou, Zhejiang 313000, People's Republic of China;ZHEJIANG TAILUN POWER GROUP CO., LTD., Floor 4-8, No.345 West Huancheng Road, Huzhou, Zhejiang 313000, People's Republic of China ~72: FENG ZHOU;JIAN WU;JIE CHAI;JIN GU;JING XU;SHIJUN CHEN;SIZE ZHANG;WEIXUN QIN;XIAOBIN SHEN;XIAODONG SHEN;XIAOXIAO WU;XINLONG WU;YONGSHENG XU;ZHEN WANG~ 33:CN ~31:202111036599.0 ~32:06/09/2021

2021/09857 ~ Provisional ~54:A FRIDGE ~71:OTEGA HOLDINGS, 6 GERANIUM STREET, ROSETTENVILLE, JOHANNESBURG, GAUTENG, 2190, SOUTH AFRICA, South Africa ~72: ADEDEGE, Adeniyi;HOBO, Vuyo;TAWANA, Tshepo~

2021/09860 ~ Complete ~54:LUGGAGE ~71:TSHABALALA, Botlhale, 22 Konki Lerumo Street, Saulsville Extension 3, South Africa ~72: TSHABALALA, Botlhale~ 33:ZA ~31:2020/07423 ~32:30/11/2020

2021/09862 ~ Complete ~54:DEVICE FOR TESTING SHEAR STRENGTH OF CIVIL ENGINEERING MATERIAL ~71:North China University of Science and Technology, 21 Bohai Road, Caofeidian Xincheng, Tangshan, Hebei, 063210, People's Republic of China ~72: CHEN, Kaijiang;JIA, Mutian;WANG, Kaibo;YANG, Zhinian;ZHOU, Yunlong~

2021/09865 ~ Complete ~54:NEGATIVE EXPANSION MATERIAL, PREPARATION METHOD AND APPLICATION THEREOF ~71:Zhengzhou University of Aeronautics, No.15 Wenyuan West Road, Zhengdong New District, Zhengzhou City, Henan Province, People's Republic of China ~72: Chen Dongxia;Duan Xiangyang;Fu Linjie;Li Mingyu;Wang Haili;Wang Xianli;Xu Kun;Yang Peng;Yu Zhanjun~

2021/09882 ~ Complete ~54:DIFFUSER DEVICE FOR RAPIDLY REMOVING SEAWATER ~71:Tianjin Research Institute for Water Transport Engineering, Ministry of Transport, No.37 Xingang 2nd Road, Tanggu District, Tianjin City, People's Republic of China ~72: Bai Lu;Chen Yaohongling;Jing Liang;Li Jinzhao;Liu Xiaomeng;Wang Qingbiao;Wang Yishen;Xue Yonghua;Zhang Binbin;Zhang Chunyi~

2021/09896 ~ Complete ~54:RAILWAY SLEEPER ~71:BRASKEM S.A., Rua Eteno, 1561, Complexo Petroquímico de Camaçari, Brazil ~72: DA SILVA, Jesus Waldemar Gomes Alves;MACHADO, Aldo Marconi Wesson;VARGAS, Renato Teixeira;VIDON JUNIOR, Walter~ 33:US ~31:62/852,873 ~32:24/05/2019

2021/09903 ~ Complete ~54:FIRE PROTECTION SYSTEM FOR SLOPED COMBUSTIBLE CONCEALED SPACES HAVING HIPS ~71:VICTAULIC COMPANY, 4901 Kesslersville Road, Easton, Pennsylvania, 18040-6714, United States of America ~72: JOHN DESROSIER;KEVIN DESMOND MAUGHAN;STEPHEN J MEYER;THOMAS EDWIN ARCHIBALD~ 33:US ~31:62/858,427 ~32:07/06/2019

2021/09878 ~ Complete ~54:A KIND OF ABIENOL-BASED HAPTEN, ARTIFICIAL ANTIGEN AND ANTIBODY AS WELL AS THE PREPARATION METHODS AND APPLICATIONS THEREOF ~71:TOBACCO RESEARCH INSTITUTE OF CHINESE ACADEMY OF AGRICULTURAL SCIENCES, No. 11, Jingsi Road, Keyuan, Laoshan District, Qingdao City, Shandong Province, 266101, People's Republic of China ~72: FANG, Song;GUO, Yongfeng;KONG, Fanyu;LIU, Xue;NING, Yang;QIU, Jun;SONG, Dean;SUN, Peng~ 33:CN ~31:202110435924.4 ~32:22/04/2021

2021/09888 ~ Complete ~54:MOLECULAR SENSOR CAPABLE OF DETECTING FE³⁺, CU²⁺ AND ZN²⁺ IN WATER AND TECHNICAL USE THEREOF ~71:SHANDONG MANAGEMENT UNIVERSITY, No. 3500, Dingxiang Road, Changqing District, Jinan City, People's Republic of China ~72: LI, Xiaolei~

2021/09905 ~ Complete ~54:PROJECTILE, IN PARTICULAR DEFORMATION AND/OR PARTIAL FRAGMENTATION PROJECTILE, AND METHOD FOR PRODUCING A PROJECTILE ~71:RUAG AMMOTEC GMBH, Kronacher Strasse 63, 90765, Fürth, Germany ~72: FLORIAN SPANNER~ 33:DE ~31:10 2019 116 125.8 ~32:13/06/2019

2021/09907 ~ Complete ~54:PROCESSES AND INTERMEDIATES FOR THE PREPARATION OF 2-(2,6-DICHLOROPHENYL)-1-[(1S,3R)-3-(HYDROXYMETHYL)-5-(3-HYDROXY-3-METHYLBUTYL)-1-METHYL-3,4-DIHYDROISOQUINOLIN-2(1H)-YL]ETHENONE ~71:Eli Lilly and Company, Lilly Corporate Center, INDIANAPOLIS 46206-6288, IN, USA, United States of America ~72: COLE, Kevin Paul;KALLMAN, Neil John;MAGNUS, Nicholas Andrew~ 33:US ~31:62/862,805 ~32:18/06/2019

2021/09856 ~ Provisional ~54:A MICROWAVE OVEN ~71:OTEGA HOLDINGS, 6 GERANIUM STREET, ROSETTEVILLE, JOHANNESBURG, GAUTENG, 2190, SOUTH AFRICA, South Africa ~72: ADEDEGE, Adeniyi;HOBO, Vuyo;TAWANA, Tshepo~

2021/09866 ~ Complete ~54:METHOD FOR OPTIMIZING MICROSTRUCTURE AND PROPERTY OF SECONDARY ALUMINUM ~71:Qingdao University of Technology, No. 11, Fushun Road, Shibei District, Qingdao, Shandong Province, 266033, People's Republic of China ~72: CUI, Ning;GAN, Zhiying;GUO, Dong;HUANG, Tenglong;WU, Shuaizheng;WU, Surui;ZHANG, Ruifeng;ZHANG, Shuling~

2021/09887 ~ Complete ~54:METHOD FOR REMEDIATING COMBINED POLLUTION OF ANTIMONY AND ZINC AND USE THEREOF ~71:CHINA UNIVERSITY OF GEOSCIENCES (BEIJING), No. 29 Xueyuan Road, Haidian District, People's Republic of China ~72: CUI, Weihua;HUANG, Peng;LI, Hao;LI, Miaomiao;LIU, Bang;LIU, Jianli;LIU, Siyuan;MA, Bo;SONG, Qi;YAO, Jun;ZHU, Xiaozhe~

2021/09912 ~ Complete ~54:EDIBLE PASTE AND COMPOSITION AND METHOD OF PREPARATION ~71:C-PASTE LIMITED, Belvidere Barn Dolphinholme, United Kingdom ~72: LAWRENCE, Steven~ 33:GB ~31:1906393.2 ~32:07/05/2019

2021/09893 ~ Complete ~54:METHODS FOR TREATING ATOPIC DERMATITIS BY ADMINISTERING AN IL-4R ANTAGONIST ~71:REGENERON PHARMACEUTICALS, INC., 777 Old Saw Mill River Road, Tarrytown, United States of America ~72: BANSAL, Ashish;DAVIS, John;GRAHAM, Neil;KAMAL, Mohamed;MINA-OSORIO, Paola~ 33:US ~31:62/882,946 ~32:05/08/2019;33:US ~31:62/940,108 ~32:25/11/2019;33:US ~31:62/985,715 ~32:05/03/2020;33:US ~31:63/024,467 ~32:13/05/2020;33:US ~31:63/032,408 ~32:29/05/2020

2021/09859 ~ Provisional ~54:METHOD AND APPARATUS FOR RECOVERING FERROUS METALS FROM WASTE FERROUS ORE ~71:MANIC TECHNOLOGY HOLDINGS (PTY) LTD, 46 Northview Rd, South Africa ~72: BEACHY HEAD, John Peter;BECERRA NOVOA, Jorge Octavio~

2021/09864 ~ Complete ~54:COMPOUND PLANT POLYSACCHARIDE CONCENTRATE AND APPLICATION THEREOF IN HEALTH CARE PRODUCTS ~71:Changshu Institute of Technology, No. 99, South Third Ring Road, Changshu City, Jiangsu Province, 215500, People's Republic of China ~72: Cui Zhumei;Peng Yingyun;Wang Liuyi;Yang Qi~

2021/09870 ~ Complete ~54:A NEURAL BASED UNMANNED AERIAL VEHICLE (UAV) TRACKING SYSTEM ~71:Southwest university, Tiansheng Road 2, Beibei District, Chongqing, People's Republic of China ~72: Dong Tao;Ji Jingmin~

2021/09873 ~ Complete ~54:APPLICATION OF PECTOLINARIN IN PREPARATION OF ANTI-OSTEOSARCOMA DRUGS ~71:Luoyang Orthopedic-Traumatological Hospital of Henan Province (Henan Provincial Orthopedic Hospital), No.82, Qiming South Road, Luoyang, Henan Province, People's Republic of China ~72: Ma Kun;Shen Sheng;Wang Dandan;Zhang Chuan~

2021/09875 ~ Complete ~54:PREPARATION METHOD OF NANOMETER MOLYBDENUM DISULFIDE ~71:Henan Academy of Sciences, 58 Hongzhuan Road, Zhengzhou City, Henan Province, 450002, People's Republic of China;Henan Chemical Industry Research Institute Co., Ltd., 37 Jianshe East Road, Zhengzhou City, Henan Province, 450052, People's Republic of China ~72: CHENG, Lanxing;CHENG, Xinhe;DING, Weigong;GUO, Ge;HUANG, Jingluo;LI, Yanan;MENG, Bingnan;YANG, Shucheng;ZHANG, Bibo;ZHAO, Tengfei;ZHAO, Yili;ZHAO, Zengbing~

2021/09876 ~ Complete ~54:MECHANICAL EQUIPMENT POWER CONTROL METHOD AND SYSTEM, MEDIUM, AND ELECTRONIC DEVICE ~71:Linyi University, Linyi University, Middle Section of Shuangling Road, Lanshan District, Linyi City, Shandong Province, 276000, People's Republic of China ~72: GUO, Feng;GUO, Jijin;LIU, Guoshuai;LIU, Xinyu;SHEN, Tingda;ZHANG, Han~

2021/10295 ~ Provisional ~54:ASR COAL BORER ALTERNATIVE SOFT ROCK COAL BORER ~71:Retha Schoeman, 763 7de Laan, Wonderboom South,, South Africa ~72: Retha Schoeman~

2021/09867 ~ Complete ~54:SOLUTION DEHUMIDIFICATION AIR-CONDITIONING SYSTEM BASED ON NATURAL COLD SOURCE DRIVE AND SOLAR ENERGY REGENERATION ~71:Qingdao Agricultural University, 700 Changcheng Road, Chengyang District, Qingdao City, Shandong Province, 266000, People's Republic of China ~72: LIANG, Zede~

2021/09898 ~ Complete ~54:AN INDUSTRIAL PUMP WITH A SAFETY PROTECTION MECHANISM ~71:Anhui Jinwan Pump Technology Co., Ltd., No. 8, Liuxu Town Industrial Park, Si County, Suzhou City, Anhui, People's Republic of China ~72: CHEN, Xiang;HOU, Yueli;NI, Hualong;ZHU, Jie~ 33:CN ~31:2021109760240 ~32:24/08/2021

2021/09910 ~ Complete ~54:MATERIALS AND METHODS FOR PRODUCING BLOOD PRODUCTS ~71:Cellphire, Inc., 9430 Key West Avenue, ROCKVILLE 20850, MD, USA, United States of America ~72: AMOS, Stephen Edward;FITZPATRICK, Glen Michael;ISHLER, Braden Carl;JORDA, Rafael;LEE, Amber Nicole;MATHEWS, Michael Alexander;MONTGOMERY, Joshua Donald;MOSKOWITZ, Keith Andrew~ 33:US ~31:62/843,061 ~32:03/05/2019;33:US ~31:62/936,122 ~32:15/11/2019

2021/09911 ~ Complete ~54:RNA CONSTRUCT ~71:Imperial College Innovations Limited, Level 1 Faculty Building, c/o Imperial College, Exhibition Road, LONDON SW7 2AZ, GREATER LONDON, UNITED KINGDOM, United Kingdom ~72: BLAKNEY, Anna;MCKAY, Paul;SHATTOCK, Robin~ 33:GB ~31:1908729.5 ~32:18/06/2019

2021/09899 ~ Complete ~54:RADIATION OR ANTICANCER CHEMOTHERAPY SENSITIZER ADMINISTRATION HOLDER ~71:KORTUC INC., Shiroyama Trust Tower, 4F, 4-3-1 Toranomom, Minato-ku, Tokyo, 1056004, Japan;TAISEI KAKO CO., LTD., 8-1, Toyosaki 6-chome, Kita-ku, Osaka-shi, Osaka, 5310072, Japan ~72: SHOGO YAMASHITA;TAIJI HORITA;TOMOYUKI SONOYAMA~ 33:JP ~31:2019-102703 ~32:31/05/2019

2021/09902 ~ Complete ~54:COMBINATION THERAPY INVOLVING ANTIBODIES AGAINST CLAUDIN 18.2 AND IMMUNE CHECKPOINT INHIBITORS FOR TREATMENT OF CANCER ~71:ASTELLAS PHARMA INC., 5-1, Nihonbashi-Honcho 2-chome, Chuo-ku, Tokyo, 1038411, Japan ~72: TOMOHIRO YAMADA~ 33:IB ~31:PCT/IB2019/056680 ~32:06/08/2019

2021/10296 ~ Provisional ~54:GREEN BURIALS ~71:DANIEL DU PLESSIS, 42 LA CHALUTIER, 80 MILLER CLARY STR, ELARDUS PARK,, South Africa ~72: DANIEL DU PLESSIS~

2021/09881 ~ Complete ~54:CONTAINER CLEANING DEVICE AND CLEANING METHOD THEREOF ~71:China Institute of Water Resources and Hydropower Research, A-1 Fuxing Road, Haidian District, Beijing, 100038, People's Republic of China ~72: CHANG, Jiaxin;DONG, Qingwen;GAN, Lin;GAO, Bo;HUANG, Xiaodan;JIN, Yuyan;KONG, Weiwei;LANG, Hang;LI, Kun;LIANG, Kai;LIU, Xiaoru;LU, Guang;WAN, Xiaohong;WU, Wenqiang;WU, Yanchun;XIANG, Xiaoshi;XU, Dongyu;YE, Wei;ZHANG, Panwei;ZHAO, Xiaohui~

2021/09874 ~ Complete ~54:GRADUAL STOP CONTROL METHOD AND SYSTEM FOR MECHANICAL DEVICE, AND EQUIPMENT ~71:Linyi University, Linyi University, Middle Section of Shuangling Road, Lanshan District, Linyi City, Shandong Province, 276000, People's Republic of China ~72: ZHANG, Xin~

2021/09886 ~ Complete ~54:SAFE ~71:BALLISTIC ARMOUR TECHNOLOGIES (PROPRIETARY) LIMITED, 13 Viking Way, Airport Park, South Africa ~72: Howard Nigel HEN-BOISEN;John Lewis BRADFIELD;Kuno Eckhard KERLEN~ 33:ZA ~31:2020/05461 ~32:02/12/2020

2021/09894 ~ Complete ~54:ENGINEERED CASX SYSTEMS ~71:SCRIBE THERAPEUTICS INC., 2151 Berkeley Way, Energy Biosciences Building, United States of America ~72: ADIL, Maroof;BANEY, Katherine;COLIN, Isabel;DENNY, Sarah;HIGGINS, Sean;OAKES, Benjamin;SPINNER, Hannah;STAAHL, Brett T.;TAYLOR, Kian~ 33:US ~31:62/858,750 ~32:07/06/2019;33:US ~31:62/944,892 ~32:06/12/2019;33:US ~31:63/030,838 ~32:27/05/2020

2021/09908 ~ Complete ~54:COMPOUNDS FOR CHROMATOGRAPHIC SEPARATION OF RARE EARTH ELEMENTS AND S-, P-, D- METALS, METHOD OF SEPARATION, AND USE THEREOF ~71:Ustav organicke chemie a biochemie AV CR, v.v.i., Flemingovo nam.2, PRAHA 6 16610, CZECH REPUBLIC, Czech Republic ~72: POLASEK, Miloslav~ 33:EP ~31:19178492.5 ~32:05/06/2019

2021/09901 ~ Complete ~54:LIQUID BOTULINUM TOXIN COMPOSITION FOR TREATING MODERATE TO VERY SEVERE GLABELLAR LINES AND LATERAL CANTHAL LINES ~71:GALDERMA HOLDING SA, Rue d'Entre-deux-Villes, 10, 1814, La Tour-de-Peilz, Switzerland;IPSEN BIOPHARM LIMITED, Unit 9, Ash Road, Wrexham Industrial Estate, Wrexham, LL13 9UF, United Kingdom ~72: ALEKSANDRA KARIN;ANDREW PICKETT;ANNA NILSSON;AXEL EMILSON;BIRGITTA ALMEGÅRD;CHARLOTTA GAUFFIN~ 33:US ~31:62/858,766 ~32:07/06/2019

2021/09861 ~ Complete ~54:METHOD FOR COMPARATIVE TRANSCRIPTOME ANALYSIS OF DIFFERENTIALLY EXPRESSED GENES ~71:GANSU INSTITUTE OF ANIMAL AND VETERINARY SCIENCE, 150 MIDDLE KONGTONG ROAD, PINGLIANG CITY,, People's Republic of China ~72: CHENG, WeiWei;HE, MaoChang;LI, YuanXin;LUO, Yan;SHI, FuYue;WANG, YanYan;XU, JianFeng;YANG, JunXiang~

2021/09906 ~ Complete ~54:LOW TEMPERATURE VIALS AND VIAL ASSEMBLIES ~71:Janssen Biotech, Inc., 800/850 Ridgeview Drive, HORSHAM 19044, PA, USA, United States of America ~72: ASSELTA, Roger P.;FOLTA, Christopher M.~ 33:US ~31:62/843,073 ~32:03/05/2019

2021/09900 ~ Complete ~54:AN AIRPORT STAND ARRANGEMENT AND METHOD ~71:ADB SAFEGATE SWEDEN AB, Djurhagegatan 19, 213 76, Malmö, Sweden ~72: PETER HÅKANSSON~ 33:EP ~31:19183349.0 ~32:28/06/2019

2021/09868 ~ Complete ~54:A NOVEL TECHNIQUE TO TREAT PRIORITY MICRO-POLLUTANTS OF A HAZARDOUS WASTE LANDFILL LEACHATE ~71:Dr. Pradeep Kumar Singa, Associate Professor, Department of Civil Engineering, Guru Nanak Dev Engineering College, Bidar, Karnataka, 585403, India;Dr. Umesh B.

Deshannavar, Professor, Chemical Engineering Department, KLE Dr. M. S. Sheshgiri College of Engineering And Technology, Udyambag, Belagavi, Karnataka, 590008, India ~72: Dr. Pradeep Kumar Singa;Dr. Umesh B. Deshannavar~

2021/09872 ~ Complete ~54:METHOD FOR REDUCING ORGANIC ACIDS IN BLUEBERRY WINE ~71:Qingdao Agricultural University, 700 Changcheng Road, Chengyang District, Qingdao City, Shandong Province, 266109, People's Republic of China;Qingdao University of Science and Technology, 53 Zhengzhou Road, Qingdao City, Shandong Province, 266042, People's Republic of China ~72: LI, Jingyuan;ZHAO, Hongwei;ZHENG, Zhuoqi~

2021/09891 ~ Complete ~54:SPRAYING EQUIPMENT FOR RED TIDE CONTROL AND CONTROL METHOD ~71:OCEAN UNIVERSITY OF CHINA, No. 238, Songling Road, Laoshan District, Qingdao, People's Republic of China ~72: CHU, Hao;LI, Huajun;WANG, Qiang;ZHANG, Baocheng;ZHANG, Kaisheng;ZHAO, Bo~

2021/09895 ~ Complete ~54:TUBULAR MEMBRANE HEAT EXCHANGER ~71:BALTIMORE AIRCOIL COMPANY, INC., 7600 Dorsey Run Road, United States of America ~72: EGOLF, Kevin Ellsworth;ROUSSELET, Yohann Lilian~ 33:US ~31:62/857,113 ~32:04/06/2019

2021/09909 ~ Complete ~54:APPARATUS AND METHOD TO FORM HOLLOW CONTAINERS ~71:AlphaMAC S.r.l., Piazza Malpighi, 7, BOLOGNA 40123, ITALY, Italy ~72: MARTINA, Antonio;MENTINI, Roberto;MINGHETTI, Moreno~ 33:IT ~31:102019000007764 ~32:31/05/2019

2021/09897 ~ Complete ~54:A FLAME RETARDANT AND WEAR RESISTANT ANTIMICROBIAL YARN AND ITS PRODUCTION PROCESS. ~71:Anhui Xinhong Textile Co., Ltd., South side of Nanerhuan Road, Si County Economic Development Zone, Suzhou City, Anhui, People's Republic of China ~72: LIU, Pingli;LIU, Quluan~

2021/09871 ~ Complete ~54:CHINESE YAM SEEDER ~71:Qingdao Agricultural University, 700 Changcheng Road, Chengyang District, Qingdao City, Shandong Province, 266109, People's Republic of China ~72: PAN, Zhiguo;YANG, Ranbing;ZHANG, Huan;ZHANG, Jian~

2021/09889 ~ Complete ~54:COMPOUND ANESTHETIC FOR CATS, PREPARATION METHOD AND APPLICATION THEREOF ~71:NORTHWEST A AND F UNIVERSITY, No. 3, Taicheng Road, Yangling District, Xianyang City, People's Republic of China ~72: BAI, Lingge;JI, Linlong;LI, Jipeng;LI, Liuyang;LIANG, Yue;LU, Dezhang;TANG, Tianran;WANG, Zhengru;WU, Chenchen;YIN, Yupeng~

2021/09904 ~ Complete ~54:SYSTEMS AND METHODS FOR FABRICATING A MICROCHANNEL VASCULAR NETWORK DEVICE AND SEEDING A MICROCHANNEL ~71:3D BIOLABS, LLC, 285 Wilmington-West Chester Pike, Chadds Ford, Pennsylvania, 19317, United States of America ~72: ANDREW PAUL SPANN;BATZAYA BYAMBAA;CARLY COMER;CRAIG NEVILLE;JOSEPH P VACANTI;MATTHEW JAMES HANCOCK;TATEVIK SAHAKYANTS;TYLER LIEBERTHAL~ 33:US ~31:62/863,165 ~32:18/06/2019;33:US ~31:62/863,169 ~32:18/06/2019

2021/09858 ~ Provisional ~54:COMMINUTING METHOD AND APPARATUS ~71:RUSSEL-SMITH, KEVAN VAUGHAN, 10 Malin Village, Van Wyk Louw Street, Gholfsig, MIDDELBURG 1050, Mpumalanga Province, SOUTH AFRICA, South Africa ~72: RUSSEL-SMITH, KEVAN VAUGHAN~

2021/09879 ~ Complete ~54:TRADITIONAL CHINESE HERBAL COMPOSITION FOR TREATING MYASTHENIA GRAVIS WITH SPLEEN AND STOMACH QI DEFICIENCY AND PREPARATION METHOD THEREOF ~71:Hangzhou Normal University, 2318 Yuhangtang Rd., Yuhang District, Hangzhou, Zhejiang Province, 311121, People's Republic of China ~72: CHEN, Guozhong;LOU, Dan;TAO, Hongmiao~

2021/09883 ~ Complete ~54:METHOD FOR PREPARING SEAWEED POLYSACCHARIDE COLLAGEN GEL
~71:Liaoning Zhongxuan Biotechnology Co., Ltd., 1-22, Building 10, Area A, Northeast Agricultural Materials
Logistics Park, Xincheng District, Tieling City, Liaoning Province, 112608, People's Republic of China ~72:
Baoquan WANG;Caikun TANG;Dan LI;Kun QI;Ying SHAN;Yuan YUAN;Yuncheng GUAN~

2021/09890 ~ Complete ~54:AN ACOUSTIC VERTICAL RADIAL LAYERED MEASURING DEVICE FOR
SEAFLOOR SUBSTRATE ~71:SANYA INSTITUTE OF OCEANOLOGY, SCSIO, Zhenzhou Road, Deep-sea
Science and Technology City, Yazhou District, Sanya, People's Republic of China;SOUTH CHINA SEA
INSTITUTE OF OCEANOLOGY, CHINESE ACADEMY OF SCIENCES, No. 1119, Haibin Road, Nansha District,
Guangzhou, People's Republic of China ~72: CHEN, Zhong;TIAN, Yuhang;YAN, Wen;ZHANG, Bin~ 33:CN
~31:202111086431.0 ~32:16/09/2021

2021/09892 ~ Complete ~54:METHODS FOR TREATING ALLERGY AND ENHANCING ALLERGEN-SPECIFIC
IMMUNOTHERAPY BY ADMINISTERING AN IL-4R ANTAGONIST ~71:REGENERON PHARMACEUTICALS,
INC., 777 Old Saw Mill River Road, Tarrytown, United States of America;SANOFI BIOTECHNOLOGY, 54 rue la
Boëtie, France ~72: HAMILTON, Jennifer, D.;BRIEN, Meagan, P.;RADIN, Allen;RUDDY,
Marcella;STAUDINGER, Heribert~ 33:US ~31:62/882,992 ~32:05/08/2019;33:EP ~31:20315351.5
~32:16/07/2020

2021/09863 ~ Complete ~54:CAMPUS SPONGE ECOLOGICAL RAINWATER RECYCLING EQUIPMENT
~71:North China University of Science and Technology, 21 Bohai Road, Caofeidian Xincheng, Tangshan, Hebei,
063210, People's Republic of China ~72: JIA, Mutian;JIANG, Nan;WANG, Kaibo;YANG, Zhinian;ZHOU, Yunlong~

2021/09869 ~ Complete ~54:EXTERNAL MEASURING NIPPLE FOR LOST CIRCULATION LEAKAGE FLOW
WHILE DRILLING ~71:Chongqing University of Science and Technology, No.20, University Town East Road,
Shapingba District, Chongqing City, People's Republic of China ~72: Chen Bo;Chen Peiliang;Li Fengxia;Liu
Hongli;Wang Zhengku;Wu Xiaoyong;Xu Jianian~ 33:CN ~31:202111304456.3 ~32:05/11/2021

2021/09877 ~ Complete ~54:CHARGE CONTROL SYSTEM AND METHOD ~71:Linyi University, Linyi University,
Middle Section of Shuangling Road, Lanshan District, Linyi City, Shandong Province, 276000, People's Republic
of China ~72: CHAO, Xibin;DING, Lijiao;DU, Cuiyun;LIU, Guoshuai;WANG, Lei;ZHANG, Xin~

2021/09885 ~ Complete ~54:VALVE ASSEMBLY ~71:Hans Sasserath GmbH & Co. KG,
Münsterstraße 62, KORSCHENBROICH 41352, GERMANY, Germany ~72: HECKING, Willi~ 33:DE
~31:20 2021 103 924.8 ~32:22/07/2021

- APPLIED ON 2021/12/03 -

2021/09917 ~ Provisional ~54:AIR PRESSURE TANK DRAINAGE ~71:SJR STAALWERKE BK, Farm Vlakpan,
South Africa ~72: HAASBROEK, Johannes Adam;HAASBROEK, Sarel Francios~

2021/09977 ~ Complete ~54:CHROMA SAMPLE WEIGHT DERIVATION FOR GEOMETRIC PARTITION MODE
~71:Huawei Technologies Co., Ltd., Huawei Administration Building, Bantian, Longgang District, SHENZHEN
518129, GUANGDONG, CHINA (P.R.C.), People's Republic of China ~72: ALSHINA, Elena
Alexandrovna;BLAESER, Max;ESENLIK, Semih;GAO, Han;KOTRA, Anand Meher;WANG, Biao;ZHAO, Zhijie~
33:EP ~31:PCT/EP2019/066516 ~32:21/06/2019

2021/09981 ~ Complete ~54:DEWATERING AIDS ~71:Kemira Oyj, Energiakatu 4, HELSINKI 00180, FINLAND,
Finland ~72: HESAMPOUR, Mehrdad;PENTTINEN, Matias~ 33:EP ~31:19179195.3 ~32:07/06/2019

2021/09987 ~ Complete ~54:INTEGRATED SYSTEM FOR ASSESSING AND MODELING INTEGRITY OF WHEELS AND RIMS OF OFF THE ROAD VEHICLES ~71:OTR WHEEL SAFETY, INC., Unit 2 - 2260 Hunter Road, Canada ~72: SHUMKA, Jason;SHUMKA, Thomas~ 33:CA ~31:3,042,657 ~32:06/05/2019

2021/09928 ~ Complete ~54:WATER AND SOIL CONSERVATION DEVICE FOR DESERTIFICATION AREAS AND USING METHOD THEREOF ~71:Institute Of Water Resources for Pastoral Area.MWR, No. 16, University East Road, Saihan District, Hohhot, Inner Mongolia, People's Republic of China ~72: Abi Yasi;Cheng Bo;Dong Lei;Ge Nan;Han Zhaoen;Li Hongfang;Li Jinrong;Li Yingkun;Liu Hu;Luo Xiangying;Miao Henglu;Rong Hao;Tian Xiumin;Wang Jian;Wang Ru;Yu Xiangqian~

2021/09930 ~ Complete ~54:MULTI-FUNCTIONAL TEST BENCH FOR POWER SPLIT HYDRAULIC MECHANICAL COMPOSITE TRANSMISSION SYSTEM ~71:SHANDONG UNIVERSITY OF SCIENCE AND TECHNOLOGY, No.579 Qianwangang Road, Huangdao District, Qingdao, Shandong Province, 266590, People's Republic of China ~72: DAI, Hanzheng;LU, Zhengguo;NIU, Hao;SUN, Zhiyuan;WAN, Lirong;WANG, Chenglong~

2021/09939 ~ Complete ~54:CORRESPONDENCE ANALYSIS METHOD FOR CAUSES OF GROUND SURFACE SETTLEMENT IN SUBWAY TUNNEL EXCAVATION ~71:CHINA RAILWAY 19TH BUREAU GROUP FIFTH ENGINEERING CO., LTD., No. 586, Yongzheng Street, Jinzhou District, Dalian, Liaoning, 116100, People's Republic of China;QINGDAO UNIVERSITY OF TECHNOLOGY, No. 777, Jialingjiang East Road, Huangdao District, Qingdao, Shandong, 266520, People's Republic of China;THE FOURTH CONSTRUCTION CO., LTD OF CHINA CONSTRUCTION EIGHTH ENGINEERING DIVISION, Zhongjian Building, No.169 Songling Road, Laoshan District, Qingdao, Shandong, 266100, People's Republic of China ~72: DING, Dangsheng;GAO, Ming;LI, Shuguang;WANG, Chunsheng;WANG, Jing;WANG, Qingsong;WANG, Zaiquan;WU, Honggang;XU, Meng;YAN, Mingdong;ZHANG, Weiguo;ZHANG, Yongjun;ZHU, Ming~

2021/09942 ~ Complete ~54:CASCADE ENERGY-SAVING CONTROL METHOD OF A VAPOUR COMPRESSION AND REFRIGERATION SYSTEM ~71:Qingdao University of Science and Technology, No. 99 Songling Road, Laoshan District, Qingdao, Shandong, 266061, People's Republic of China ~72: KONG, Dehao;WANG, Xinli;YIN, Xiaohong~

2021/09950 ~ Complete ~54:CARBON FIBER HEATING SYSTEM FOR ANTI-FREEZING AND SNOW-MELTING OF WINDMILL BLADE ~71:ZHOU LIANHUI, Room 203, Building 53, Yunpan Ercun, Zhangjiagang City, People's Republic of China ~72: Gong Mao~ 33:CN ~31:2021204636929 ~32:03/03/2021

2021/09962 ~ Complete ~54:PROCESS FOR PREPARING A BROKEN-UP, CELLULOSE-CONTAINING, STARTING MATERIAL WITH A PREDEFINED FIBRE-LENGTH DISTRIBUTION ~71:LENZING AKTIENGESELLSCHAFT, WERKSTRASSE 2, 4860 LENZING, AUSTRIA, Austria ~72: HERCHL, Richard;WEILACH, Christian~ 33:EP ~31:19178193.9 ~32:04/06/2019

2021/09969 ~ Complete ~54:DOWN HOLE MEASUREMENT SYSTEM ~71:MTI GROUP PTY LTD, 37 Competition Way, Australia ~72: BODLEY, Nicholas~ 33:AU ~31:2019901972 ~32:06/06/2019

2021/09916 ~ Provisional ~54:SPATIAL LOCALISATION OF A VEHICLE THROUGH WIRELESS INFRASTRUCTURE ~71:AITONOMI AG, Bruderhausstrasse 10, Switzerland ~72: SCHOLL, Torsten;SCHOLL, Xenia~

2021/09922 ~ Complete ~54:METHOD FOR LOCATING AND ELIMINATING GROSS ERRORS OF POINT CLOUD DATA BASED ON CREDIBILITY INFORMATION ~71:ShanDong JiaoTong University, No. 5001 Haitang Road, Changqing University Science Park, Jinan City, Shandong Province, People's Republic of China ~72: Li Jin;Song Lei;Zhou Baoxing~

2021/09932 ~ Complete ~54:TAP-POSITION-CHANGEABLE CONFLUENCE DEVICE ~71:China University of Mining and Technology (Beijing), Ding No.11 Xueyuan Road, Haidian District, Beijing, 100083, People's Republic of China ~72: WANG, Dalong;ZENG, Xiaoteng;ZOU, Jia~

2021/09933 ~ Complete ~54:LOADING DEVICE FOR NON-METAL ANTI-FLOATING ANCHOR ROD CREEP TEST ~71:QINGDAO UNIVERSITY OF TECHNOLOGY, No. 777, Jialingjiang East Road, Huangdao District, Qingdao, Shandong, 266520, People's Republic of China ~72: BAI, Xiaoyu;HAN, Chao;HOU, Dongshuai;TU, Bingxiong;WANG, Bo;WANG, Fengjiao;YAN, Nan;ZHANG, Jingke;ZHANG, Mingyi;ZHANG, Qijun~

2021/09948 ~ Complete ~54:IN VIVO DRUG DELIVERY DEVICES AND METHODS FOR DRUG DELIVERY ~71:TARIS Biomedical LLC, 113 Hartwell Avenue, LEXINGTON 02421, MA, USA, United States of America ~72: ABBATE, Emily;GIESING, Dennis;HOCKING, Sarah;LEE, Heejin~ 33:US ~31:62/453,333 ~32:01/02/2017;33:US ~31:62/480,744 ~32:03/04/2017

2021/09966 ~ Complete ~54:WAKE-UP SIGNAL MONITORING INDICATION ~71:NOKIA TECHNOLOGIES OY, KARAKAARI 7, 02610 ESPOO, FINLAND, Finland ~72: KOSKINEN, Jussi-Pekka;TURTINEN, Samuli;WU, Chunli~

2021/09976 ~ Complete ~54:METHODS TO TREAT VIRAL INFECTIONS ~71:THE BOARD OF TRUSTEES OF THE LELAND STANFORD JUNIOR UNIVERSITY, Office of the General Counsel Building 170, 3rd Floor, Main Quad, P.O. Box 20386, Stanford, California, 94305-2038, United States of America ~72: ANMING XIONG;EDWARD PHAM;JEFFREY S GLEEN~ 33:US ~31:62/860,533 ~32:12/06/2019

2021/09986 ~ Complete ~54:TREATMENT OF HEART FAILURE IN HUMAN SUBJECTS ~71:CARDIOR PHARMACEUTICALS GMBH, Feodor-Lynen-Str. 15, Germany ~72: Claudia ULBRICH;Sandor BATKAI;Steffen RUMP;Thomas THUM;Wilfried HAUKE~ 33:EP ~31:19180308.9 ~32:14/06/2019;33:EP ~31:20150700.1 ~32:08/01/2020;33:EP ~31:20162110.9 ~32:10/03/2020;33:EP ~31:20175240.9 ~32:18/05/2020

2021/09996 ~ Complete ~54:BUFF VALVE ~71:HEZE BETTER CONSTRUCTION MACHINERY CO., LTD., (WEST OF JINGANG ROAD) PORT INDUSTRIAL PARK, JUYE COUNTY, People's Republic of China ~72: BAOPING WANG;GUOXU HUANG~

2021/09915 ~ Provisional ~54:USE OF NOVEL PHTHALOCYANINE COMPOUNDS FOR THE TREATMENT OF DISEASES ~71:RHODES UNIVERSITY, Drosty Road, Makhanda (formerly Grahamstown), South Africa ~72: NYOKONG, Tebello;SEN, Pinar~

2021/09913 ~ Provisional ~54:PACIFIER ~71:STEYN, Robyn Elloise, 30 Main Road, South Africa ~72: STEYN, Robyn Elloise~

2021/09944 ~ Complete ~54:PILE BODY STRESS TESTING METHOD FOR MICRO STEEL PIPE PILE ~71:QINGDAO UNIVERSITY OF TECHNOLOGY, No.777, Jialingjiang East Road, Huangdao District, Qingdao, Shandong Province, 266520, People's Republic of China ~72: BAI, Xiaoyu;LI, Cuicui;LV, Chenglu;MI, Jinwei;SUN, Linna;XU, Shaoshuai;YAN, Nan;YU, Longtao;ZHANG, Li;ZHOU, Haizuo~

2021/09946 ~ Complete ~54:DRAPERY SUSPENSION SYSTEM ~71:JORDAAN, Johannes, Jacobus, HOFSTRA STREET 8, DEL JUDOR EXT 1, WITBANK, MPUMALANGA, SOUTH AFRICA, South Africa ~72: JORDAAN, Jarryd, Kyle;JORDAAN, Johannes, Jacobus~ 33:ZA ~31:2018/03342 ~32:21/05/2018

2021/09954 ~ Complete ~54:A METHOD FOR PRODUCING A BUILDING OR CONSTRUCTION MATERIAL USING WASTE PLASTIC ~71:UNIVERSITY OF JOHANNESBURG, Cnr. Kingsway and University Roads

Auckland Park, Johannesburg, 2006, South Africa ~72: ELIZABETH MAKHATHA;ROSEMARY MATSHAVHA;TEBOGO MASHIFANA;THANDIWE SITHOLE~ 33:ZA ~31:2020/07553 ~32:04/12/2020

2021/09972 ~ Complete ~54: MEDIA PROVENANCE CERTIFICATION VIA FRAGILE WATERMARKING ~71: MICROSOFT TECHNOLOGY LICENSING, LLC, One Microsoft Way, Redmond, Washington, 98052-6399, United States of America ~72: ERIC J HORVITZ;HENRIQUE S MALVAR;PAUL ENGLAND~ 33:US ~31:62/873,791 ~32:12/07/2019;33:US ~31:16/792,989 ~32:18/02/2020

2021/09984 ~ Complete ~54: ANTI-CD53 COMPOSITIONS AND METHODS FOR MODULATING MYELOID CELL INFLAMMATORY PHENOTYPES AND USES THEREOF ~71: Verseau Therapeutics, Inc., 47 Wiggins Avenue, BEDFORD 01730, MA, USA, United States of America ~72: FELDMAN, Igor;NOVOBRANTSEVA, Tatiana I.;SAZINSKY, Stephen L.;WAHLE, Joseph A.~ 33:US ~31:62/867,602 ~32:27/06/2019

2021/09924 ~ Complete ~54: RECOMBINANT ADENOVIRUS EXPRESSING CD2V PROTEIN OF AFRICAN SWINE FEVER VIRUS AND CONSTRUCTION METHOD THEREOF ~71: Institute of Animal Sciences of CAAS, No. 2 Yuanmingyuan West Road, Haidian District, Beijing City, People's Republic of China ~72: Jia Hong;Xin Ting;Zhu Hongfei~

2021/09931 ~ Complete ~54: BUCKET LOADER APPLICABLE TO COMPLEX WORKING CONDITION AND USE THEREOF ~71: SHANDONG UNIVERSITY OF SCIENCE AND TECHNOLOGY, No.579 Qianwangang Road, Huangdao District, Qingdao, Shandong Province, 266590, People's Republic of China ~72: DAI, Hanzheng;SUN, Zhiyuan;TIAN, Mingqian;WAN, Lirong;ZENG, Qingliang~

2021/09935 ~ Complete ~54: TRANSPARENT AND TOUGHENED MODIFIED POLYPROPYLENE PLASTIC AND PREPARATION THEREOF ~71: Tianjin University of Science And Technology, No. 1038, Dagu South Road, Hexi District, Tianjin, 300222, People's Republic of China ~72: JIANG, Guichang;LIN, Yuecheng;SUN, Hao~

2021/09961 ~ Complete ~54: PROCESS FOR CONTINUOUSLY PREPARING A BROKEN-UP CELLULOSE-CONTAINING STARTING MATERIAL ~71: LENZING AKTIENGESELLSCHAFT, WERKSTRASSE 2, 4860 LENZING, AUSTRIA, Austria ~72: HERCHL, Richard;WEILACH, Christian~ 33:EP ~31:19178170.7 ~32:04/06/2019

2021/09975 ~ Complete ~54: PLATE CONDITION TOOL ~71: VESUVIUS GROUP, S.A., 17, rue de Douvrain,, 7011 , Ghlin, Belgium ~72: ANTONIO FAVIA;CORENTIN PICARD;DENIS JUAN~ 33:EP ~31:19181066.2 ~32:18/06/2019;33:EP ~31:19181068.8 ~32:18/06/2019

2021/09980 ~ Complete ~54: IMPROVEMENTS IN OR RELATING TO ORGANIC COMPOUNDS ~71: Givaudan SA, Chemin de la Parfumerie 5, VERNIER 1214, SWITZERLAND, Switzerland ~72: BRIERE, Thomas;BROOKS, Julia;KEHAYA, Linda;KONTARIS, Ioannis;MAGEE, Kristopher George;MOYSEN, Ruth C.;PLEYDELL-PEARCE, Christopher~ 33:GB ~31:1909222.0 ~32:27/06/2019

2021/09940 ~ Complete ~54: NOVEL METHOD FOR PREDICTING SETTLEMENT OF METRO TUNNEL DURING CONSTRUCTION BASED ON LSTM NETWORK ~71: CHINA RAILWAY 19TH BUREAU GROUP FIFTH ENGINEERING CO., LTD., No. 586, Yongzheng Street, Jinzhou District, Dalian, Liaoning, 116100, People's Republic of China;QINGDAO UNIVERSITY OF TECHNOLOGY, No. 777, Jialingjiang East Road, Huangdao District, Qingdao, Shandong, 266520, People's Republic of China ~72: DU, Mingqing;LI, Shuguang;LIANG, Zhengzhao;LIU, Fei;MA, Tianhui;WANG, Junyi;WANG, Qingsong;WANG, Zaiquan;WEN, Jinhao;YAN, Mingdong;ZHANG, Yongjun;ZHANG, Yongliang;ZHU, Ming~

2021/09958 ~ Complete ~54:STABILIZED LIQUID LIVE VACCINE ~71:BOEHRINGER INGELHEIM ANIMAL HEALTH USA INC., 3239 Satellite Blvd., Duluth, Georgia, United States of America ~72: CORNEILLE, David, Pierre;EDDY, Bradley;GENIN, Noel, Yves, Henri, Jean~ 33:US ~31:62/859,491 ~32:10/06/2019

2021/09974 ~ Complete ~54:METHOD AND DEVICE FOR RESETTING AN INERTIAL UNIT OF A TRANSPORT MEANS ON THE BASIS OF INFORMATION DELIVERED BY A VIEWFINDER OF THE TRANSPORT MEANS ~71:SAFRAN ELECTRONICS & DEFENSE, 72-76 rue Henry Farman, 75015, Paris, France ~72: CHRISTIAN LIGNON~ 33:FR ~31:FR1905987 ~32:06/06/2019

2021/09985 ~ Complete ~54:AN INFLATABLE ROCK BOLT ~71:HOLFELD, Barry Graeme, 1207 Schooner Avenue, Laser Park, Ext. 9, South Africa ~72: HOLFELD, Barry Graeme~ 33:ZA ~31:2019/02816 ~32:06/05/2019

2021/09963 ~ Complete ~54:COMMON PREPARATION OF LIGNOCELLULOSIC FEEDSTOCK AND A PRODUCT CONTAINING CELLULOSE BUT FREE FROM LIGNIN ~71:LENZING AKTIENGESSELLSCHAFT, WERKSTRASSE 2, 4860 LENZING, AUSTRIA, Austria ~72: HERCHL, Richard;SCHILD, Gabriele;WEILACH, Christian~ 33:EP ~31:19178183.0 ~32:04/06/2019

2021/09920 ~ Complete ~54:WATER COOLING AND AUTOMATIC DUST REMOVAL DEVICE FOR CAMERA ~71:Shenyang Jianzhu University, No.25 Hunnan Road, Hunnan District, Shenyang City, Liaoning Province, People's Republic of China ~72: Cao Jianzhao;Chen Nan;Hu Nan;Hu Yunjian;Kan Fenglong;Wang Changtao;Zhu Xiaoyan~

2021/09929 ~ Complete ~54:STATIC PRESSURE ENLARGED HEAD PRESTRESSED HIGH-STRENGTH CONCRETE PIPE PILE ~71:QINGDAO UNIVERSITY OF TECHNOLOGY, No. 777, Jialingjiang East Road, Huangdao District, Qingdao, Shandong, 266520, People's Republic of China ~72: BAI, Xiaoyu;FANG, Xiang;LIU, Junwei;WANG, Xueling;WANG, Yanting;WANG, Yonghong;WEI, Guo;YAN, Nan;ZHANG, Mingyi;ZHANG, Qijun~

2021/09945 ~ Complete ~54:CONTINUOUS CLEANING DEVICE FOR REVERSE OSMOSIS MEMBRANE MODULE AND METHOD FOR CLEANING REVERSE OSMOSIS MEMBRANE MODULE USING SAME ~71:Qingdao Agricultural University, 700 Changcheng Road, Chengyang District, Qingdao, Shandong Province, 266109, People's Republic of China ~72: TIAN, Xia;WANG, Jinyi;ZHENG, Qingzhu~

2021/09949 ~ Complete ~54:M_yS_x/ZSH MIXTURE AS SULFIDIZING AGENT ~71:Nouryon Chemicals International B.V., Velperweg 76, ARNHEM NL-6824 BM, THE NETHERLANDS, Netherlands ~72: FOLCHNANDT, Matthias;GIMNEZ, Rodrigo M.;KLOBES, Olaf;PICARDI, Ulises;PRATS, Leandro~ 33:EP ~31:20383076.5 ~32:10/12/2020

2021/09982 ~ Complete ~54:T CELL MANUFACTURING COMPOSITIONS AND METHODS ~71:BioNTech US Inc., 40 Erie Street, Suite 110, CAMBRIDGE 02139, MA, USA, United States of America;Stichting Het Nederlands Kanker Instituut Antoni Van Leeuwenhoek Ziekenhuis, Plesmanlaan 121, AMSTERDAM 1066 CX, THE NETHERLANDS, Netherlands ~72: BAKKER, Noor;BROWN, Flavian Duvalle;DE BOER, Renate;KOHLER, Jessica;KUKSIN, Christina Murphy;LENKALA, Divya Reddy;SCHUMACHER, Ton;VAN BUUREN, Marit M.;VAN DEN BERG, Joost Huibert~ 33:US ~31:62/845,251 ~32:08/05/2019

2021/09952 ~ Complete ~54:ASYNCHRONOUS MOTOR STRUCTURE ~71:ZHOU LIANHUI, Room 203, Building 53, Yunpan Ercun, Zhangjiagang City, People's Republic of China ~72: Qu Jiafa~ 33:CN ~31:2021106491011 ~32:10/06/2021

2021/09960 ~ Complete ~54:METHODS FOR REMOVING UNDESIRED COMPONENTS DURING MULTISTAGE CHROMATOGRAPHIC PROCESSES ~71:REGENERON PHARMACEUTICALS, INC., 777 Old

Saw Mill River Road, Tarrytown, United States of America ~72: CHIBOROSKI, Mark;TRAN, Travis;TUSTIAN, Andrew~ 33:US ~31:62/860,980 ~32:13/06/2019

2021/09967 ~ Complete ~54:DUAL BEVEL GEAR DEVICE ON WINDMILL ~71:ZHOU LIANHUI, Room 203, Building 53, Yunpan Ercun, Zhangjiagang City, People's Republic of China ~72: Gong Mao~ 33:CN ~31:2020105904597 ~32:24/06/2020

2021/09978 ~ Complete ~54:A METHOD TO PRODUCE A FIBROUS PRODUCT COMPRISING MICROFIBRILLATED CELLULOSE ~71:Stora Enso OYJ, P.O. Box 309, HELSINKI 00101, FINLAND, Finland ~72: BACKFOLK, Kaj;HEISKANEN, Isto;LYYTIKÄINEN, Katja;NYLÉN, Otto~ 33:SE ~31:1950730-0 ~32:17/06/2019

2021/09988 ~ Complete ~54:ENVIRONMENT-FRIENDLY COMPOSITE ANTI-SEEPAGE FLEXIBLE VERTICAL ISOLATION SYSTEM AND INSTALLATION METHOD THEREOF ~71:BZ GEOTECHNICAL CO. LTD., Building 1, No. 7 Yingcui Road, Jiangning Development Zone, Nanjing City, People's Republic of China;SICHUAN UNIVERSITY OF SCIENCE & ENGINEERING, 519 Huixing Road, Ziliujing Zone, Zigong City, People's Republic of China ~72: BI, Yuzhang;FU, Xianlei;GUO, Yi;SUN, Xinpo;TUO, Xianguo;WU, Haoliang~

2021/09918 ~ Complete ~54:AN EARLY SCREENING METHOD FOR MANGO FRUIT COLOR BASED ON DOUBLE-FRAGMENT ANALYSIS ~71:Tropical Crops Genetic Resources institute Chinese Academy of Tropical Agricultural Sciences, No.4 Xueyuan Road, Longhua District, Haikou City, Haian Province, People's Republic of China ~72: Gao Aiping;Huang Jianfeng;Luo Ruixiong;Zhao Zhichang~

2021/09941 ~ Complete ~54:WIND PRESSURE MONITORING AND DANGER FOREWARNING METHOD FOR MIDDLE WALL OF TUNNEL ~71:CHINA RAILWAY 19TH BUREAU GROUP FIFTH ENGINEERING CO., LTD., No. 586, Yongzheng Street, Jinzhou District, Dalian, Liaoning, 116100, People's Republic of China;QINGDAO UNIVERSITY OF TECHNOLOGY, No. 777, Jialingjiang East Road, Huangdao District, Qingdao, Shandong, 266520, People's Republic of China;Qingdao Metro Group Co., Ltd. Operating Branch, No. 8 Taiyuan Road, Licang District, Qingdao, Shandong, 266000, People's Republic of China ~72: CHEN, Guanping;GUO, Wei;LIU, Bing;LIU, Jijian;MA, Qiangqiang;NI, Xiangyang;WEN, Jinhao;XU, Meng;XU, Wenxie;YAN, Mingdong;ZHANG, Weiguo;ZHANG, Yongjun;ZHANG, Yongliang~

2021/09943 ~ Complete ~54:FABRICATED SHEAR WALL JOINT STRUCTURE AND SPLICING METHOD THEREOF ~71:Central South University, No. 932, Lushan South Road, Yuelu District, Changsha City, Hunan Province, 410083, People's Republic of China ~72: CHEN, Yujie;KUANG, Yachuan;MO, Xiaofei;SONG, Zhexuan;TIAN, Run'an;YU, Zhiwu~

2021/09965 ~ Complete ~54:HARDWARE ACCELERATED K-MER GRAPH GENERATION ~71:ILLUMINA, INC., 5200 Illumina Way, United States of America ~72: RUEHLE, Michael~ 33:US ~31:63/006,668 ~32:07/04/2020

2021/09971 ~ Complete ~54:USING SECURE MEMORY ENCLAVES FROM THE CONTEXT OF PROCESS CONTAINERS ~71:MICROSOFT TECHNOLOGY LICENSING, LLC, One Microsoft Way, Redmond, Washington, 98052-6399, United States of America ~72: AMBER TIANQI GUO;BENJAMIN M SCHULTZ;DEEPU CHANDY THOMAS;FREDERICK JUSTUS SMITH;GIRIDHAR VISWANATHAN;HARI R PULAPAKA;MAXWELL CHRISTOPHER RENKE;TAYLOR JAMES STARK~ 33:US ~31:62/872,233 ~32:09/07/2019;33:US ~31:16/565,271 ~32:09/09/2019

2021/09989 ~ Complete ~54:LIQUID COSMETIC ~71:PARFUMS DE COEUR, LTD., D/B/A PDC BRANDS, 750 E. Main Street, 10th Floor, CT06902-3831, United States of America ~72: WANG, Yewei;WHEATON, Randy, M.~ 33:CN ~31:201910393434.5 ~32:13/05/2019

2021/09995 ~ Complete ~54:LAND SURFACE TEMPERATURE RETRIEVAL METHOD BASED ON SATELLITE DATA ~71:JILIN UNIVERSITY, NO.2699 QIANJIN STREET, CHANGCHUN CITY, People's Republic of China ~72: HE, Jinxin;LI, Qingyi;LI, Wenqing;LIU, Ruichen~

2021/09919 ~ Complete ~54:TEA PIGMENT SAUSAGE ~71:Zhejiang University, 866 Yuhangtang Road, West Lake District, Hangzhou City, Zhejiang Province, People's Republic of China ~72: Chen Jianchu;Wu Dan~

2021/09923 ~ Complete ~54:BIOCHEMICAL COMPREHENSIVE PREVENTION AND CONTROL METHOD OF BEMISIA TABACI ~71:Qingdao Agricultural University, No. 700, Changcheng Road, Chengyang District, Qingdao, Shandong, People's Republic of China ~72: Liu Tongxian;Yang Chunhong;Zhang Qingfeng~

2021/09927 ~ Complete ~54:A METHOD FOR SIMULTANEOUSLY PREPARING LOW-MOLECULAR-WEIGHT CHITOSAN AND D-GLUCOSAMINE SULFATE BY USING OF IRRADIATION ASSISTED MICROWAVE THERMAL ACID HYDROLYSIS ~71:Guizhou Institute of modern agricultural development, Jinxin Community,Huaxi District, Guiyang City, Guizhou Province, People's Republic of China ~72: He Yangbo;Li Yongfu~

2021/09936 ~ Complete ~54:ROCK FOUNDATION PIT SAFETY EVALUATION METHOD BASED ON ENTROPY WEIGHT METHOD AND MODIFIED AHP ~71:CHINA RAILWAY 19TH BUREAU GROUP FIFTH ENGINEERING CO., LTD., No. 586, Yongzheng Street, Jinzhou District, Dalian, Liaoning, 116100, People's Republic of China;QINGDAO UNIVERSITY OF TECHNOLOGY, No. 777, Jialingjiang East Road, Huangdao District, Qingdao, Shandong, 266520, People's Republic of China;THE FOURTH CONSTRUCTION CO., LTD OF CHINA CONSTRUCTION EIGHTH ENGINEERING DIVISION, Zhongjian Building, No.169 Songling Road, Laoshan District, Qingdao, Shandong, 266100, People's Republic of China ~72: DING, Dangsheng;DU, Mingqing;LIU, Sijia;MA, Tianhui;MIAO, Jijun;NAN, Ning;NI, Xiangyang;SONG, Chen;SUN, Bo;WANG, Fulai;WANG, Yan;WU, Honggang;YAN, Mingdong;ZHANG, Yongjun;ZHAO, Jie~

2021/09955 ~ Complete ~54:THREE-DIMENSIONAL ELECTROOSMOSIS CONSOLIDATED SOFT SOIL COLLECTION AND DRAINAGE DEVICE AND CONSTRUCTION METHOD THEREFOR ~71:JIANGNAN UNIVERSITY, No. 1800, Lihu Avenue, Binhu District, Wuxi, Jiangsu, People's Republic of China ~72: JIN XUN;SUN XIULI;WANG YU;ZHENG RUOXUAN~ 33:CN ~31:202110549412.0 ~32:20/05/2021

2021/09964 ~ Complete ~54:METHOD FOR PRODUCING A CELLULOSE PAPER MATERIAL FROM USED TEXTILES ~71:LENZING AKTIENGESELLSCHAFT, WERKSTRASSE 2, 4860 LENZING, AUSTRIA, Austria ~72: HERCHL, Richard;WEILACH, Christian~ 33:EP ~31:19178178.0 ~32:04/06/2019

2021/09934 ~ Complete ~54:SPLITTING DEVICE WITH VARIABLE TRANSMISSION RATIO AND APPLICATION THEREOF ~71:China University of Mining and Technology (Beijing), Ding No.11 Xueyuan Road, Haidian District, Beijing, 100083, People's Republic of China ~72: WANG, Dalong;ZENG, Xiaoteng;ZOU, Jia~

2021/09938 ~ Complete ~54:EARLY WARNING METHOD FOR SAFETY CONSTRUCTION OF SUBWAY STATION ~71:CHINA RAILWAY 19TH BUREAU GROUP FIFTH ENGINEERING CO., LTD., No. 586, Yongzheng Street, Jinzhou District, Dalian, Liaoning, 116100, People's Republic of China;QINGDAO UNIVERSITY OF TECHNOLOGY, No. 777, Jialingjiang East Road, Huangdao District, Qingdao, Shandong, 266520, People's Republic of China ~72: CHEN, Guanping;LI, Jinming;LIU, Yanchun;MIAO, Jijun;NIE, Wen;WANG, Fulai;WU, Honggang;XU, Meng;YAN, Mingdong;ZHANG, Weiguo;ZHANG, Yongjun;ZHANG, Yongliang~

2021/09997 ~ Complete ~54:SHORT-TIME HIGH-EFFICIENCY HEAT TREATMENT PROCESS FOR LIQUID DIE FORGOING AL-MG-SI ALLOY ~71:SHANDONG JIAOTONG UNIVERSITY, NO.5001 HAITANG ROAD, People's Republic of China ~72: DING, DAICUN;SU, NA;SUN, YUEJUN;ZHAO, KANGPEI;ZHONG, LI~

2021/09970 ~ Complete ~54:AQUEOUS COATING COMPOSITION ~71:COATEX, 35 rue Ampère, 69730, Genay, France ~72: CATHERINE CORFIAS ZUCCALLI;JEAN-MARC SUAOU;LAURIE PARENIN~ 33:FR ~31:FR1908124 ~32:18/07/2019

2021/09956 ~ Complete ~54:METHOD AND SYSTEM FOR REAL TIME REPORT OF MONITORING DATA OF KEY CROWD ~71:SHANDONG PROVINCIAL HOSPITAL AFFILIATED TO SHANDON FIRST MEDICAL UNIVERSITY, No. 324, Jingwu Road, Huaiyin District, Jinan City, People's Republic of China ~72: CAO, Feng;HE, Huihui;JIANG, Ying;LEI, Yuxin;LI, Cuirong;WEI, Ren;XU, Min;YANG, Jun;YU, Che;ZHAI, Hong~ 33:CN ~31:202110076283.8 ~32:20/01/2021

2021/09973 ~ Complete ~54:EXPLOSIVES BASED ON HYDROGEN PEROXIDE WITH IMPROVED SLEEP TIME ~71:CMTE DEVELOPMENT LIMITED, Building 101, UQ Pinjarra Hills Campus 2436 Moggill Road, Pinjarra Hills, Queensland, 4069, Australia ~72: ANDREW KETTLE~ 33:AU ~31:2019901993 ~32:07/06/2019

2021/09979 ~ Complete ~54:SUCCINATE PRODRUG, COMPOSITIONS CONTAINING THE SUCCINATE PRODRUG AND USES THEREOF ~71:Abliva AB, Medicon Village, LUND 223 81, DENMARK, Denmark ~72: ELM;R, Mats Eskil;FARMERY, Mark Richard;GRAND;NBERG, Alvar;GREGORY, Matthew Alan;HANSSON, Magnus Joakim;MOSS, Steven James;WEBSTER, Lee Robert~ 33:DK ~31:PA201970382 ~32:19/06/2019;33:DK ~31:PA201970383 ~32:19/06/2019;33:DK ~31:PA201970384 ~32:19/06/2019

2021/09957 ~ Complete ~54:AN OPERATING METHOD OF A DEVICE FOR PRODUCING PLASTERS USED IN ORTHOPEDICS ON A SMALL SCALE ~71:WUXI SECOND PEOPLE'S HOSPITAL, 68 Zhongshan Road, Wuxi, People's Republic of China ~72: CHEN, Lina;JIANG, Yu~

2021/09947 ~ Complete ~54:WINDMILL TOWER WITH COMPOSITE MATERIAL BY AVIAN BIONIC STRUCTURE ~71:ZHOU LIANHUI, Room 203, Building 53,Yunpan Ercun, Zhangjiagang City, People's Republic of China ~72: Gong Mao;Tian Ze su~ 33:CN ~31:2021208428287 ~32:22/04/2021

2021/09959 ~ Complete ~54:NOVEL SILAGE ADDITIVE COMPOSITIONS ~71:LOCUS IP COMPANY, LLC, 30500 Aurora Road, Suite 180, United States of America ~72: FARMER, Sean~ 33:US ~31:63/056,663 ~32:26/07/2020

2021/09983 ~ Complete ~54:ANTI-LRRC25 COMPOSITIONS AND METHODS FOR MODULATING MYELOID CELL INFLAMMATORY PHENOTYPES AND USES THEREOF ~71:Verseau Therapeutics, Inc., 47 Wiggins Avenue, BEDFORD 01730, MA, USA, United States of America ~72: FELDMAN, Igor;NOVOBRANTSEVA, Tatiana I.;O'NUALLAIN, Brian;SAZINSKY, Stephen L.;WAHLE, Joseph A.~ 33:US ~31:62/867,593 ~32:27/06/2019

2021/09921 ~ Complete ~54:INTELLIGENT PAVEMENT DISEASE IDENTIFICATION AND REPAIR METHOD, SYSTEM, EQUIPMENT AND MEDIUM BASED ON CONVOLUTIONAL NEURAL NETWORK AND 3D PRINTING REPAIR TECHNOLOGY ~71:SHANDONG HI-SPEED GROUP CO,LTD, No.8 Longao North Road, Lixia District, Jinan City, Shandong Province, People's Republic of China;Shandong University, C315, Expressway Building, Xinglongshan Campus, Shandong University, No.12550 Erhuan East Road, Shizhong District, Jinan City, Shandong Province, People's Republic of China;Suzhou Research Institute, Shandong University, Room 522, Building H of NUSP, NO.388 Ruoshui Road, Suzhou Industrial Park, Suzhou City, Jiangsu Province, People's Republic of China ~72: Chang Yutao;Chen Xiguang;Guo Xinming;Li Zhouyuan;Lv Chen;Song Xiuguang;Wang Zijian;Wu Jianqing;Zhang Hongbo;Zhang Yingchao~

2021/09926 ~ Complete ~54:METHOD FOR INCREASING POLYSACCHARIDE EXTRACTION AMOUNT OF DENDROBIUM OFFICINALE UNDER LOW TEMPERATURE STRESS ~71:Enshi Tujia and Miao Autonomous Prefecture Forestry Academy, 188 Wuyang Street, Enshi, Hubei, 445000, People's Republic of China ~72: Beibei

CHEN;Chuan ZHANG;Chunlin LI;Chun Yao DUN;Daikun WU;Junen HU;Shuanglong LI;Wei CHEN;Wei XIANG;Weiyi LIU;Ying ZHANG;Yong ZENG;Zhaohui XIANG~

2021/09951 ~ Complete ~54:SELF-HOISTING CONTAINER ~71:ZHOU LIANHUI, Room 203, Building 53, Yunpan Ercun, Zhangjiagang City, People's Republic of China ~72: Qu Jiafa~ 33:CN ~31:2021212987734 ~32:10/06/2021

2021/09925 ~ Complete ~54:GUIDE TOOL IN MULTI-BRANCH STIMULATION TOOL ~71:Southwest Petroleum University, No. 8, Xindu Avenue, Xindu District, Chengdu, Sichuan, People's Republic of China ~72: Wang Jun;Xiong Youming;Xu Jianian~

2021/09953 ~ Complete ~54:COMPOSITIONS AND METHODS FOR ENRICHING POPULATIONS OF NUCLEIC ACIDS ~71:KARIUS, INC., 975 Island Drive, Suite 101, Redwood City, California, 94065, United States of America ~72: FRED CHRISTIANS;IGOR D VILFAN;MICHAEL KERTESZ;SCOTT SMITH;TIMOTHY A BLAUWKAMP~ 33:US ~31:62/163,273 ~32:18/05/2015;33:US ~31:62/334,348 ~32:10/05/2016

2021/09968 ~ Complete ~54:COMPLEX SYSTEM FOR UTILIZING COMPRESSED AIR ~71:ZHOU LIANHUI, Room 203, Building 53, Yunpan Ercun, Zhangjiagang City, People's Republic of China ~72: Gong Mao~ 33:WO ~31:PCT/CN2020/119167 ~32:30/09/2020

2021/09937 ~ Complete ~54:DISCHARGE VALVE FOR STOKEHOLE FEEDING SYSTEM ~71:Anhua Huasheng Bioenergy Co., Ltd, Group 7 of Chayou Village, Economic Development Zone, Anhua County, Yiyang City, Hunan, 413000, People's Republic of China ~72: HUANG, Jun;JIA, Xingliang;SHEN, Maidong;WAN, Weihua;WANG, Rehua;WANG, Xifu;WANG, Xiyi;ZHOU, Wenfeng~

- APPLIED ON 2021/12/06 -

2021/10026 ~ Complete ~54:FERMENTED TRADITIONAL CHINESE MEDICINE-BASED DISINFECTANT AND PREPARATION METHOD THEREOF ~71:QILU UNIVERSITY OF TECHNOLOGY, No. 3501, Daxue Road, Changqing District, Jinan City, People's Republic of China ~72: LAI, Xiaoqian;LIU, Xinli;REN, Xidong;WANG, Chenying;WANG, Li;WANG, Yiping~

2021/10039 ~ Complete ~54:NICOTINE POUCH COMPOSITION ~71:NCP NEXTGEN A/S, Dandyvej 19, 7100, Vejle, Denmark ~72: BINE HARE JAKOBSEN;BRUNO PROVSTGAARD NIELSEN;HEIDI ZIEGLER BRUUN;JESPER NEERGAARD;MY LY LAO STAHL~ 33:DK ~31:PA 2019 00698 ~32:07/06/2019;33:DK ~31:PA 2019 70610 ~32:30/09/2019;33:DK ~31:PA 2019 70611 ~32:30/09/2019;33:DK ~31:PA 2019 70612 ~32:30/09/2019

2021/09994 ~ Provisional ~54:RAPID REDUCTION AND METALLIZATION IN A COPPER-MAKING PROCESS ~71:Jakobus Johannes Beyleveld, 43 Sabi Sands Crescent, South Africa ~72: Jakobus Johannes Beyleveld~

2021/09991 ~ Provisional ~54:SYSTEM AND METHOD FOR CONDUCTING A TRANSACTION ~71:CHANNEL INFORMATION TECHNOLOGY NIGERIA LIMITED, No. 11, Abimbola Awoniyi Close, off Kasumu Ekemode Street, Via Saka Tinubu Street, Nigeria ~72: HAIDAR, Bassim Said~

2021/09998 ~ Complete ~54:PYRIMIDINEDIONE COMPOUNDS AGAINST CARDIAC CONDITIONS ~71:MYOKARDIA, INC., 400 East Jamie Ct., Suite 102, United States of America ~72: ANDERSON, Robert;AUBELE, Danielle;EVANCHIK, Marc;FOX, Jonathan, Charles;KANE, Brian;LU, Puping;MCDOWELL, Robert;OSLOB, Johan;RODRIGUEZ, Hector;SONG, Yonghong;SRAN, Arvinder~ 33:US ~31:61/838,088 ~32:21/06/2013;33:US ~31:61/939,655 ~32:13/02/2014;33:US ~31:61/981,366 ~32:18/04/2014

2021/10008 ~ Complete ~54:METHOD FOR DETERMINING MINOR ELEMENTS AND MAJOR INGREDIENTS IN MARINE SEDIMENTS ~71:First Institute of Oceanography, Ministry of Natural Resources, No.6 Xianxialing Road, Laoshan District, Qingdao City, Shandong, 266061, People's Republic of China ~72: CUI, Jingjing;LIU, Jihua;WANG, Xiaojing;ZHU, Aimei~

2021/10015 ~ Complete ~54:NEW PSEUDOXANTHOMONAS BEIGONGSHANGENSIS STRAIN AND USE THEREOF ~71:BEIJING TECHNOLOGY AND BUSINESS UNIVERSITY, No.33, Fucheng Road, Haidian District, Beijing, 100048, People's Republic of China ~72: CHEN, Haiyan;GUO, Liyin;REN, Qing;SUN, Leping;SUN, Zhanbin;XING, Xuan;XU, Jiali;YAN, Yi~ 33:CN ~31:202011423248.0 ~32:08/12/2020

2021/10019 ~ Complete ~54:LAVENDER ESSENTIAL OIL HOT-AIR DISTILLATION DEVICE ~71:Nanjing Institute for Comprehensive Utilization of Wild Plants, China CO-OP, No. 7, Jiangyun Road, Moling Street, Jiangning District, Nanjing City, Jiangsu Province, 211111, People's Republic of China;Yili ZiSuLiRen Bio-Technology Co.,Ltd, No. 999, Shenzhen Road, Yining Border Economic Cooperation Zone, Yining City, Yili Kazakh Autonomous Prefecture, Xinjiang, 835499, People's Republic of China ~72: CHEN, Bin;GU, Xiangwen;HUANG, Xiaode;LUO, Weikang;WANG, Zhuangwei;WU, Jianqiang;YANG, Jianxin;ZHAO, Botao~ 33:CN ~31:202110132040.1 ~32:30/01/2021

2021/10023 ~ Complete ~54:RHIZOSPHERE REMEDIATION METHOD OF HIGH-CONCENTRATION PETROLEUM CONTAMINATED SALINE-ALKALI SOIL ~71:Qingdao Agricultural University, No. 700, Changcheng Road, Chengyang District, Qingdao City, Shandong, 266109, People's Republic of China ~72: LI, Bing;XU, Ying;ZONG, Haiying~

2021/10029 ~ Complete ~54:DEEP HOLE STEREO MILLISECOND BLASTING METHOD BASED ON WEAK SURROUNDING ROCK IN DEEP SHAFT ~71:HENAN POLYTECHNIC UNIVERSITY, 2001 Century Avenue, High-tech Zone, Jiaozuo, People's Republic of China ~72: YU, Jianxin;ZHANG, Xin~

2021/10050 ~ Complete ~54:ADDITIVE FORMULATION AND METHOD OF USING SAME ~71:Mazoil Technologies Limited, P.O. Box 2681GT, 4th Floor, Century Yard Cricket Square, Hutchins Drive, GEORGE TOWN, GRAND CAYMAN, CAYMAN ISLANDS, Cayman Islands ~72: FOOTE, Arthur R.;WACHTEL, Peter~ 33:US ~31:62/852,779 ~32:24/05/2019

2021/10012 ~ Complete ~54:MANAGEMENT METHOD FOR BREEDING SEEDLINGS ~71:Liaoning Institute of Pomology, Tiedong Street, Xiongyue Town, Bayuquan District, Yingkou City, Liaoning Province, 115000, People's Republic of China ~72: LIU, Shuo;LIU, Weisheng;XU, Ming;ZHANG, Qiuping;ZHANG, Yujun~

2021/10002 ~ Complete ~54:A MATH TEACHING BOARD WITH IMPROVED MOVABILITY ~71:Zhengzhou University of Aeronautics, No. 2, University Middle Road, Zhengzhou City, Henan Province, 450015, People's Republic of China ~72: Liao, Xin;Wang, Lele;Yang, Huaijun~

2021/10009 ~ Complete ~54:EXPERIMENT BENCH FOR INSECT OPERATIONS ~71:SHANDONG UNIVERSITY OF SCIENCE AND TECHNOLOGY, No. 579 QianWangang Road, Huangdao District, Qingdao, Shandong, 266590, People's Republic of China ~72: HUAI, Ruituo;SHI, Yong;WANG, Hui;YAN, Rui;YANG, Junqing;YANG, Shuo;YU, Zhihao;ZHANG, Pingqiu;ZHU, Haoran~

2021/10018 ~ Complete ~54:IPN DAMPING MATERIAL CONTAINING HINDERED AMINE AND PREPARATION METHOD THEREOF ~71:Yantai Research Institute of Harbin Engineering University, No.1 Qingdao Street, Economic and Technological Development Zone, Yantai, Shandong Province, People's Republic of China ~72: Chen Rongrong;Guo Yanhong;Song Chuan~

2021/10024 ~ Complete ~54:PROCESSES AND SYSTEM FOR TRACKING RECYCLABLES ~71:BAMBANANI BASADI (PTY) LIMITED, 19 St Johns Drive, Bulwer, South Africa ~72: MYEZA, Zakhele Bright~ 33:ZA ~31:2020/04060 ~32:07/09/2020

2021/10037 ~ Complete ~54:NICOTINE POUCH COMPOSITION AND POUCH COMPRISING SUCH ~71:NCP NEXTGEN A/S, Dandyvej 19, 7100, Vejle, Denmark ~72: BINE HARE JAKOBSEN;BRUNO PROVSTGAARD NIELSEN;HEIDI ZIEGLER BRUUN;MY LY LAO STAHL~ 33:DK ~31:PA 2019 00698 ~32:07/06/2019;33:DK ~31:PA 2019 70610 ~32:30/09/2019;33:DK ~31:PA 2019 70611 ~32:30/09/2019;33:DK ~31:PA 2019 70612 ~32:30/09/2019

2021/10043 ~ Complete ~54:CA2 COMPOSITIONS AND METHODS FOR TUNABLE REGULATION ~71:OBSIDIAN THERAPEUTICS, INC., 1030 Massachusetts Avenue, Suite 400, Cambridge, Massachusetts, 02138, United States of America ~72: KUTLU GOKSU ELPEK;MICHAEL SCHEBESTA;MICHELLE LOIS FLEURY~ 33:US ~31:62/860,383 ~32:12/06/2019

2021/10047 ~ Complete ~54:EFFICIENT PPR PROTEIN PRODUCTION METHOD AND USE THEREOF ~71:EditForce, Inc., 1-9-17, Tenjin, Chuo-ku, Fukuoka-shi, FUKUOKA 8100001, JAPAN, Japan;Kyushu University, National University Corporation, 744, Motooka, Nishi-ku, Fukuoka-shi, FUKUOKA 8190395, JAPAN, Japan ~72: NAKAMURA, Takahiro;YAGI, Yusuke~ 33:JP ~31:2019-100551 ~32:29/05/2019

2021/10051 ~ Complete ~54:PRINTING DEVICE FOR A COUPLING MACHINE ~71:NORDMECCANICA S.P.A., Strada dell'Orsina, 16, Italy ~72: CERCIELLO, Vincenzo~ 33:IT ~31:102019000007024 ~32:20/05/2019

2021/10053 ~ Complete ~54:MACROCYCLIC BROAD SPECTRUM ANTIBIOTICS ~71:F. HOFFMANN-LA ROCHE AG, Grenzacherstrasse 124, Switzerland ~72: BOUDREAU, Jonathan;KOEHLER, Michael Friedrich Thomas;PELLETIER, Guillaume;SMITH, Peter Andrew;SOW, Boubacar;STURINO, Claudio;WINTER, Dana~ 33:US ~31:62/853,457 ~32:28/05/2019

2021/10004 ~ Complete ~54:METHOD FOR DETERMINING RELIABILITY OF SYSTEM WITH MULTIPLE WORKING CONDITION ACTING ELEMENTS ~71:Beijing Institute of Technology, No.5, South Street, Zhongguancun, Haidian District, Beijing, 100081, People's Republic of China ~72: CHENG, Li;CUI, Yuhang;LI, Xiaogang;LIU, Wei;MA, Wentao;MU, Huina;WEN, Yuquan;YI, Xiaojian~

2021/10010 ~ Complete ~54:CONDITION PREDICTION METHOD FOR FILLING SLURRY PIPELINE TRANSPORTATION AND APPLICATION ~71:North China University of Science and Technology, 21 Bohai Road, Caofeidian Xincheng, Tangshan, Hebei, 063210, People's Republic of China ~72: GAN, Deqing;GONG, Yuhan;WANG, Chonghao~ 33:CN ~31:202111076575.8 ~32:14/09/2021

2021/10040 ~ Complete ~54:ORAL POUCHED PRODUCT ~71:NCP NEXTGEN A/S, Dandyvej 19, 7100, Vejle, Denmark ~72: BINE HARE JAKOBSEN;BRUNO PROVSTGAARD NIELSEN;HEIDI ZIEGLER BRUUN;JESPER NEERGAARD;MY LY LAO STAHL~ 33:DK ~31:PA 2019 00698 ~32:07/06/2019;33:DK ~31:PA 2019 70610 ~32:30/09/2019;33:DK ~31:PA 2019 70611 ~32:30/09/2019;33:DK ~31:PA 2019 70612 ~32:30/09/2019

2021/10054 ~ Complete ~54:METHODS AND COMPOSITIONS FOR IDENTIFYING LIGANDS ON ARRAYS USING INDEXES AND BARCODES ~71:ILLUMINA, INC., 5200 Illumina Way, United States of America ~72: BERTI, Lorenzo;BLACK, Fiona E.;BRODIN, Jeffrey Dennis;ECKHARDT, Allen;FISHER, Jeffrey S.;LEONG, Siew Hong;SEGALE, Darren;TEO, Yin Nah;ZHANG, Rui~ 33:US ~31:62/903,108 ~32:20/09/2019;33:US ~31:62/909,014 ~32:01/10/2019

2021/10034 ~ Complete ~54:IMIDAZO[1,2-C]PYRIMIDINE DERIVATIVES AS PRC2 INHIBITORS FOR TREATING CANCER ~71:MIRATI THERAPEUTICS, INC., 3545 Cray Court, United States of America ~72: BURNS, Aaron Craig;KETCHAM, John Michael;MARX, Matthew Arnold~ 33:US ~31:62/857,515 ~32:05/06/2019

2021/10045 ~ Complete ~54:PEPTIDE INHIBITORS FOR THE INHIBITION OF HIV CAPSID ~71:NEOGI, Ujjwal, Division of Clinical Microbiology, Dept. of Laboratory Medicine, Karolinska Institute, STOCKHOLM 17177, SWEDEN, Sweden;SONNERBORG, Anders, Division of Clinical Microbiology, Dept. of Laboratory Medicine, Karolinska Institute, STOCKHOLM 17177, SWEDEN, Sweden;The Curators of the University of Missouri, 316 University Hall, COLUMBIA 65211, MI, USA, United States of America ~72: GALLAZZI, Fabio;NEOGI, Ujjwal;QUINN, Thomas P.;SINGH, Kamendra;SONNERBORG, Anders~ 33:US ~31:62/858,666 ~32:07/06/2019

2021/10052 ~ Complete ~54:REBAMIPIDE FOR USE IN PREVENTION AND / OR TREATMENT OF SYNUCLEINOPATHIES ~71:SQUARE POWER LTD, 2nd Floor, 9 Chapel Place, United Kingdom ~72: DANEK, Ivan~ 33:EP ~31:19020318.2 ~32:30/04/2019

2021/09992 ~ Provisional ~54:A SYSTEM AND METHOD FOR ESTIMATING A MASS OF A VEHICLE ~71:UNIVERSITY OF PRETORIA, Lynnwood Road, Hillcrest, PRETORIA 0002, SOUTH AFRICA, South Africa ~72: MEESER, Riaan~

2021/10028 ~ Complete ~54:LOW CASTING AND LOW IMPACT BLASTING METHOD BASED ON HARD ROCK IN DEEP SHAFT ~71:HENAN POLYTECHNIC UNIVERSITY, 2001 Century Avenue, High-tech Zone, Jiaozuo, People's Republic of China ~72: YU, Jianxin;ZHANG, Xin~

2021/10048 ~ Complete ~54:PPR PROTEIN WITH LESS AGGREGATION AND USE THEREOF ~71:EditForce, Inc., 1-9-17, Tenjin, Chuo-ku, Fukuoka-shi, FUKUOKA 8100001, JAPAN, Japan;Kyushu University, National University Corporation, 744, Motooka, Nishi-ku, Fukuoka-shi, FUKUOKA 8190395, JAPAN, Japan ~72: IMAI, Takayoshi;NAKAMURA, Takahiro;TAMAI, Takayuki;TERAMOTO, Takamasa;YAGI, Yusuke~ 33:JP ~31:2019-100553 ~32:29/05/2019

2021/09990 ~ Provisional ~54:COMMUNICATION ARRANGEMENT ~71:Jeremy Charles Robert HARRIS, c/o Khaya Ndlovu, South Africa ~72: Jeremy Charles Robert HARRIS~

2021/09993 ~ Provisional ~54:COMPOSITION AND METHOD FOR SUPPRESSING SUNBURN AND BROWNING IN PLANTS AND PLANT PARTS ~71:BOTHA, MARTIN, 18 Milkwood Crescent, Serengeti Golf and Wildlife Estate, South Africa ~72: BOTHA, MARTIN~

2021/10001 ~ Complete ~54:METHOD FOR PREPARING COMPOSITE MATERIAL CAPABLE OF ABSORBING AND DECOMPOSING FORMALDEHYDE AND VOCs ~71:Henan Agricultural University, No. 63 Agricultural Road, Jinshui District, Zhengzhou City, Henan Province, 450002, People's Republic of China ~72: GE, Shengbo;LI, Cheng;PENG, Wanxi;YANG, Yafeng;ZHANG, Zhongfeng~ 33:CN ~31:202110963381.3 ~32:20/08/2021

2021/10014 ~ Complete ~54:MULBERRY SAPLING LIFTER ~71:Shandong Agricultural University, 61 Daizong Street, Tai'an City, Shandong Province, 271018, People's Republic of China ~72: Chen Xizhuang;Li Fade;Li Yudao;Song Zhanhua;Tian Fuyang;Yan Yinfa;Yu Zhenwei;Zhao Bo~ 33:CN ~31:2021111907563 ~32:13/10/2021

2021/10025 ~ Complete ~54:FERMENTATION PROCESS FOR REGULATING MORPHOLOGY OF ACTINOMYCETES TO EFFICIENTLY PRODUCE E-POLY-L-LYSINE (E-PL) ~71:QILU UNIVERSITY OF TECHNOLOGY, No. 3501, Daxue Road, Changqing District, Jinan City, People's Republic of China ~72: CHEN, Yan;LIU, Xinli;REN, Xidong;WANG, Chenying;YAN, Wenhui~

2021/10036 ~ Complete ~54:COATING METHOD AND CORRESPONDING COATING INSTALLATION
~71:DÜRR SYSTEMS AG, Carl-Benz-Straße 34, 74321, Bietigheim-Bissingen, Germany ~72:
ALEXANDER SPILLER;HARALD KUNZ;MANFRED BAUDER~ 33:DE ~31:10 2019 111 760.7 ~32:07/05/2019

2021/10042 ~ Complete ~54:IN VITRO AVIAN FOOD PRODUCT ~71:GOOD MEAT, INC., 2000 Folsom Street,
San Francisco, California, 94110, United States of America ~72: AMRANUL HAQUE;CHRISTOPHER
JONES;IFEANYI MICHAEL AMADI;NATHANIEL PARK;NICHOLAS MULLEN;PAOLA BIGNONE;PAVAN
KAMBAM;THOMAS BOWMAN;VITOR ESPIRITO SANTO~ 33:US ~31:62/861,948 ~32:14/06/2019

2021/10049 ~ Complete ~54:TRICYCLIC COMPOUNDS AND THEIR USE ~71:Hutchison MediPharma Limited,
Building 4, 720 Cailun Road, Pilot Free Trade Zone, SHANGHAI 201203, CHINA (P.R.C.), People's Republic of
China ~72: LI, Jinshui;SU, Wei-Guo;ZHANG, Weihang~ 33:CN ~31:201910489162.9 ~32:06/06/2019;33:CN
~31:202010455709.6 ~32:26/05/2020

2021/10000 ~ Complete ~54:BRAKE ASSEMBLY ~71:DU PLESSIS, Hermanus Steyn, 8 Komati Street,
Farrarmere, South Africa ~72: DU PLESSIS, Hermanus Steyn~ 33:ZA ~31:2020/05998 ~32:29/09/2020

2021/10020 ~ Complete ~54:RAPID DETECTION KIT AND DETECTION METHOD FOR ESCHERICHIA COLI
~71:Luoyang Orthopedic-Traumatological Hospital of Henan Province (Henan Provincial Orthopedic Hospital),
No.82, Qiming South Road, Luoyang, Henan Province, People's Republic of China ~72: Cao Nana;Guo
Yunpeng;Liu Yuke;Wang Na;Xie Yan~

2021/10030 ~ Complete ~54:DEEP HOLE VIBRATION REDUCTION BLASTING METHOD BASED ON
ARTIFICIAL FROZEN SOFT ROCK IN DEEP SHAFT ~71:HENAN POLYTECHNIC UNIVERSITY, 2001 Century
Avenue, High-tech Zone, Jiaozuo, People's Republic of China ~72: YU, Jianxin;ZHANG, Xin~

2021/10003 ~ Complete ~54:DETECTION PRIMER AND DETECTION METHOD OF SMUT DISEASE-CAUSING
PATHOGEN THECAPHORA SCHWARZMANIANA, AND USE THEREOF ~71:Institute of Chinese Herbal
Medicines, Hubei Academy of Agricultural Sciences, No. 253, Xueyuan Road, Enshi City, Enshi Tujia and Miao
Autonomous Prefecture, Hubei Province, 445000, People's Republic of China ~72: DUAN, Yuanyuan;GUO,
Jie;GUO, Xiaoliang;TANG, Tao;WANG, Fanfan;YOU, Jingmao~

2021/10027 ~ Complete ~54:MOBILE NITROGEN GENERATING DEVICE IN UNDERGROUND COAL MINE
AND PROCESS THEREOF ~71:SHENYANG COAL SCIENCE RESEARCH INSTITUTE CO., LTD, 108
Dongbinhe Road, Shenhe District, Shenyang City, People's Republic of China ~72: BAI, Xue;CAO, Peng;CHEN,
Cheng;HE, Guangjie;HOU, Junwei;HUA, Mingchi;LI, Baocun;LI, Yanfu;LIU, Yu;MENG, Xiangjun;SUN, Na;SUN,
Xiaodong;TAI, Weiwei;WANG, Gang;WANG, Wenxue;ZHU, Mingliang;ZHU, Qi;ZHU, Zhao~

2021/10033 ~ Complete ~54:NANOFLUIDS ~71:UNIVERSITY OF SOUTH AFRICA, ORT-BUILDING 11-19
PRELLER STREET MUCKLENEUK, South Africa ~72: KHAMLICHE, Touria;MAAZA, Malek~ 33:ZA
~31:2019/03990 ~32:20/06/2019

2021/10035 ~ Complete ~54:PROCESSES FOR UTILISATION OF PURIFIED COAL TO UPGRADE REFINERY
PROCESS COMPONENTS IN THE MANUFACTURE OF PETROLEUM COKE ~71:ARQ IP LIMITED, 64 New
Cavendish Street, United Kingdom ~72: PASPEK, Stephen;UNSWORTH, John~ 33:GB ~31:1906563.0
~32:09/05/2019;33:GB ~31:1907378.2 ~32:24/05/2019

2021/10041 ~ Complete ~54:NICOTINE POUCH PRODUCT ~71:NCP NEXTGEN A/S, Dandyvej 19, 7100, Vejle,
Denmark ~72: BINE HARE JAKOBSEN;BRUNO PROVSTGAARD NIELSEN;HEIDI ZIEGLER BRUUN;MY LY
LAO STAHL~ 33:DK ~31:PA 2019 00698 ~32:07/06/2019;33:DK ~31:PA 2019 70610 ~32:30/09/2019;33:DK
~31:PA 2019 70611 ~32:30/09/2019;33:DK ~31:PA 2019 70612 ~32:30/09/2019

2021/10046 ~ Complete ~54:IMPROVEMENTS IN OR RELATING TO ORGANIC COMPOUNDS ~71:Givaudan SA, Chemin de la Parfumerie 5, VERNIER 1214, SWITZERLAND, Switzerland ~72: BRIERE, Thomas;BROOKS, Julia;KONTARIS, Ioannis;MAGEE, Kristopher George;PLEYDELL-PEARCE, Christopher~ 33:GB ~31:1909221.2 ~32:27/06/2019

2021/10055 ~ Complete ~54:SOLID DISPERSION AND PREPARATION METHOD THEREFOR ~71:JIANGSU HENGRUI MEDICINE CO., LTD., No. 7 Kunlunshan Road, Economic and Technological Development Zone,, People's Republic of China ~72: DU, Zhenxing;WANG, Jie;ZHOU, Xianqiang~ 33:CN ~31:201910468254.9 ~32:31/05/2019

2021/10005 ~ Complete ~54:FACTORY RESET METHOD AND DEVICE ~71:Linyi University, Linyi University, Middle Section of Shuangling Road, Lanshan District, Linyi City, Shandong Province, 276000, People's Republic of China ~72: LIU, Mingtao~

2021/10007 ~ Complete ~54:PURPLE WHEAT BRAN DIETARY FIBER POWDER AND MANUFACTURING METHOD THEREOF ~71:Guantao County Huayezhuangyuan Black Wheat Industry Co Ltd, Guantao County, Handan city, Hebei Province, People's Republic of China;Institute of Cereal and Oil Crops, Hebei Academy of agriculture and forestry Sciences, No. 162, Heng-shan Street, Hi-tech district, Shijiazhuang, Hebei Province, People's Republic of China ~72: Lan Suque;Li Xingpu;Lv Liangjie;Meng Yaning;Niu Zhenhua;Wang Qiaqia;Zhang Yelun~

2021/10013 ~ Complete ~54:QUICK GERMINATION METHOD OF HYBRID SEEDS FOR FRUIT TREE ~71:Liaoning Institute of Pomology, Tiedong Street, Xiongyue Town, Bayuquan District, Yingkou City, Liaoning Province, 115000, People's Republic of China ~72: LIU, Ning;LIU, Shuo;LIU, Weisheng;LIU, Youchun~

2021/10017 ~ Complete ~54:TEMPLATE FIXING DEVICE ~71:North China University of Technology, NO.21, Bohai Avenue, Caofeidian District, Tangshan City, Hebei Province, 063509, People's Republic of China ~72: Cai Wenchen;Gao Xuemin;Jin Fuyu;Li Shifeng;Li Tian;Li Yaqian;Mao Na;Xu Dingjie;Xu Hong~

2021/10022 ~ Complete ~54:A METHOD FOR IMPLEMENTATION OF DONATION BASED CROWD FUNDING TO SUPPORT RIGHT TO EDUCATION ~71:Ajay Bhardwaj, Assistant Professor , Department of Hotel Management, Travel & Tourism, IEC university, Baddi, Himachal Pradesh, 174103, India;Dr. Anita Sharma, Associate Professor, Department of Management Studies, Institute of Information Technology and Management, Guru Gobind Singh Indraprastha University, D- 29, Institutional Area, Janakpuri, New Delhi, Delhi, 110058, India;Dr. Kirti Jainani, Assistant Professor Grade 3, Tecnia Institute of Advanced Studies, 3PSP, Institutional Area, Madhuban Chowk, Bhagawan Mahavir Marg, Sec 14, Rohini , New Delhi , Delhi , 110085, India;Dr. Leena Jeneffa, Associate Professor, Vel Tech Rangarajan Dr. Sagunthala R&D Institute of Science and Technology, Avadi, Chennai, Tamil Nadu , 600062, India;Dr. Madhavendra Nath Jha, Professor (Management), Tecnia Institute of Advanced Studies, 3PSP, Institutional Area, Madhuban Chowk, Bhagawan Mahavir Marg, Sec 14, Rohini , New Delhi , Delhi , 110085, India;Dr. Namita Mishra, Associate Professor , Tecnia Institute of Advanced Studies, 3PSP, Institutional Area, Madhuban Chowk, Bhagawan Mahavir Marg, Sec 14, Rohini , New Delhi , Delhi , 110085, India;Dr. Nitin Saxena, Assistant Professor, Institute of Technology and Science, Mohan Nagar, Ghaziabad, Uttar Pradesh, 201007, India;Dr. Pankaj Sharma, Associate Professor, Department of Hotel Management, Travel and Tourism, IEC university, Baddi, Himachal Pradesh, 174103, India;Dr. Rama Sharma, Assistant Professor, Chandigarh Business School of Administration, Chandigarh Group of Colleges, Landran, Kharar-Banur Highway, Sector 112, Greater Mohali, Punjab, 140307, India;Dr. Richa Arora, Assistant Professor, School of Management & Commerce , K.R. Mangalam University, Sohna Road, Sohna Rural, Gurugram, Haryana , 122103, India;Dr. Richa Nangia, Associate Professor, School of Management & Commerce, K.R. Mangalam University, Sohna Road, Sohna Rural, Gurugram, Haryana , 122103, India;Dr. Ritwik Sahai Bisariya, Professor , Tecnia Institute of Advanced Studies, 3PSP, Institutional Area, Madhuban Chowk, Bhagawan Mahavir

Marg, Sec 14, Rohini , New Delhi , Delhi , 110085, India;Dr. Sonia Gupta, Assistant Professor, Journalism and Mass Communication , Goswami Ganesh Dutta Sanatan Dharma College, Sector 32-C, Shanti Path, Chandigarh, Punjab, 160030, India;Nikita Tomar, Assistant Professor, Manav Rachna International Institute of Research and Studies, Manav Rachna Campus Rd, Sector 43, Faridabad, Haryana , 121004, India;Prof. Ramesh Chandra Panda, Chief Scientist, Wegrow Private Limited , Bhubaneswar , Odisha, 751001, India ~72: Ajay Bhardwaj;Dr. Anita Sharma;Dr. Kirti Jainani;Dr. Leena Jenefa;Dr. Madhavendra Nath Jha;Dr. Namita Mishra;Dr. Nitin Saxena;Dr. Pankaj Sharma;Dr. Rama Sharma;Dr. Richa Arora;Dr. Richa Nangia;Dr. Ritwik Sahai Bisariya;Dr. Sonia Gupta;Nikita Tomar;Prof. Ramesh Chandra Panda~

2021/10031 ~ Complete ~54:MULTI-AGENT ONLINE CO-DESIGN INTERACTIVE SYSTEM ~71:QINGDAO UNIVERSITY OF SCIENCE AND TECHNOLOGY, No. 99, Songling Road, Laoshan District, Qingdao City, People's Republic of China;SHANDONG HOTEAM SOFTWARE CO., LTD., 15th Floor, Mingsheng Plaza, 2117 Xinluo Street, High-Tech District, People's Republic of China ~72: BIAN, Jing;HE, Susu;QIN, Yuhua;WANG, Shijie;ZHANG, Nuoqing~

2021/10038 ~ Complete ~54:ACTIVATABLE BISPECIFIC ANTIBODIES COMPRISING A LINKER BETWEEN THE TWO BINDING DOMAINS WHICH IS A HUMAN IMMUNOGLOBULIN HINGE REGION, OR A VARIANT THEREOF, AND USES THEREOF ~71:LOCKBODY THERAPEUTICS LTD, c/o Kreston Reeves LLP, Innovation House, Ramsgate Road , Sandwich , Kent, CT13 9FF, United Kingdom ~72: WILLIAM JAMES JONATHAN FINLAY~ 33:GB ~31:1906685.1 ~32:13/05/2019;33:GB ~31:1910254.0 ~32:17/07/2019;33:GB ~31:1917678.3 ~32:04/12/2019;33:GB ~31:2001196.1 ~32:28/01/2020

2021/10044 ~ Complete ~54:MASP INHIBITORY COMPOUNDS AND USES THEREOF ~71:Bayer Aktiengesellschaft, Kaiser-Wilhelm-Allee 1, LEVERKUSEN 51373, GERMANY, Germany;Bayer Pharma Aktiengesellschaft, Müllerstr. 178, BERLIN 13353, GERMANY, Germany ~72: BAUMANN, Lars;BIERER, Donald;DREHER, Jan;FLAMME, Ingo;GLATZ, Marie;HOLTON, Simon;JUHL, Cathleen;NEUBAUER, Thomas;POETHKO, Thorsten;QIU, Yibo;TERJUNG, Carsten;TERSTEEGEN, Adrian;XIONG, Jiancheng;ZUBOV, Dmitry~ 33:IB ~31:2019/085791 ~32:07/05/2019

2021/10006 ~ Complete ~54:MULTIFUNCTIONAL SPLIT HARMLESS TREATMENT DEVICE FOR AGRICULTURAL AND PASTORAL WASTES ~71:HEFEI INSTITUTES OF PHYSICAL SCIENCE, CHINESE ACADEMY OF SCIENCES, 350 Shushanhu Road, Hefei, Anhui, 230031, People's Republic of China ~72: CHEN, Xingyu;GUO, Panpan;HU, Zelin;LI, Hualong;LI, Miao;LIU, Xianwang;LIU, Xiaomeng;LOU, Yiming;YANG, Xuanjiang;YUE, Xudong;ZHONG, Changyuan~ 33:CN ~31:202110162065.6 ~32:05/02/2021

2021/10011 ~ Complete ~54:PREPARATION METHOD OF PHOSPHOLIPASE C SENSOR BASED ON ATRP ~71:Liaoning Normal University, 850 Huanghe Road, Shahekou District, Dalian, Liaoning, People's Republic of China ~72: Li Xiwen;Na Shanshan;Sun Yue~

2021/10016 ~ Complete ~54:POLLINATION ISOLATION NET COVER FOR APRICOT TREES ~71:Shandong Institute of Pomology, No.66 Longtan Road, Tai'an City, Shandong Province, People's Republic of China ~72: Dong Fang;Han Xueping;Meng Haifeng;Xue Xiaomin;Zheng Xitong~

2021/10021 ~ Complete ~54:KETOGENIC DIET (KD) COMPOSITION FOR PREVENTING AND/OR TREATING DEMYELINATING DISEASE, AND PREPARATION METHOD AND USE THEREOF ~71:Liaocheng University, No. 1, Hunan Road, Dongchangfu District, Liaocheng City, Shandong Province, 252000, People's Republic of China ~72: JIN, Li;LIU, Chunhong;WANG, Zhengping;YIN, Xiaohan;ZHANG, Ning;ZHANG, Ruiyan~

2021/10032 ~ Complete ~54:WATER-BASED ANTISTATIC LIGHT-CURED COATING AND PREPARATION METHOD THEREOF ~71:ZHANG, Shihu, Xinhai Industrial Park, Wudi County, Binzhou City, People's Republic of

China ~72: HAO, Dekai;LI, Shisheng;WANG, Chao;WANG, Zhenqiang;YANG, Huatong;ZHANG, Shihu;ZHANG, Xiaodi~

2021/09999 ~ Complete ~54:OPTIMUM DESIGN METHOD FOR PHOTOVOLTAIC POWER STATION
~71:GANSU NATURAL ENERGY RESEARCH INSTITUTE, GNERI, NO.20, RENMIN ROAD, LANZHOU,
People's Republic of China ~72: HUA, Yaping;ZHOU, Jianping~

- APPLIED ON 2021/12/07 -

2021/10066 ~ Complete ~54:WATER-BASED COMPOSITE ADHESIVE FOR LOST FOAM COATING AND
PREPARATION METHOD THEREOF AND LOST FOAM COATING ~71:Beijing Wenshui Jianguan Coating
Technology Co., Ltd, Room 513, Block 2, 5th Floor, Building 1, No.19 Xianlongshan Road, Haidian District,
Beijing , 100091, People's Republic of China ~72: QIN, Dandan;TENG, Junwei~

2021/10077 ~ Complete ~54:BIPOLAR CURRENT TRANSFORMER ~71:Foshan Mingfuxing Metal Materials Co.,
Ltd., 5th Floor, Block 3, Wei Industrial Zone, Zhangcha Building, Chancheng District, Foshan, People's Republic
of China ~72: Mingxing CAI~ 33:CN ~31:2021111862064 ~32:12/10/2021

2021/10082 ~ Complete ~54:PHOTOCATALYTIC DEGRADATION OF DRUG AMOXICILLIN AND DYE
SULPHON FAST BLACK-F BY CU: ZNS QUANTUM DOT ~71:ASTHANA, Anupama, Department of Chemistry,
Govt. VYT PG Autonomous College Durg, India;HASHMI, Ayesha, Department of Chemistry, Govt. VYT PG
Autonomous College Durg, India;JAIN, Bhawana, Department of Chemistry, Govt. VYT PG Autonomous College
Durg, India;MATHEW, Sunitha B., Department of Chemistry, Govt. VYT PG Autonomous College Durg,
India;PATEL, Jyoti, Department of Chemistry, Govt. VYT PG Autonomous College Durg, India;SINGH, Ajaya
Kumar, Department of Chemistry, Govt. VYT PG Autonomous College Durg, India ~72: ASTHANA,
Anupama;HASHMI, Ayesha;JAIN, Bhawana;MATHEW, Sunitha B.;PATEL, Jyoti;SINGH, Ajaya Kumar~

2021/10084 ~ Complete ~54:METHOD FOR PREDICTING TOXICITY OF NEODYMIUM TO WHEAT ROOT
ELONGATION ~71:LUDONG UNIVERSITY, No. 186 Middle Hongqi Road, Zhifu District, Yantai City, People's
Republic of China;QINGDAO AGRICULTURAL UNIVERSITY, No. 700 Changcheng Road, Chengyang District,
Qingdao City, People's Republic of China;SHANDONG INSTITUTE OF SERICULTURE, No. 21 Zhichu North
Road, Zhifu District, Yantai City, People's Republic of China ~72: GUO, Xiaohong;LI, Meng;LI, Shurong;SONG,
Bing;SONG, Ningning;WU, Nan;YU, Runhuan;ZHAO, Huili~

2021/10070 ~ Complete ~54:NIFE-LDHS ULTRATHIN NANOSHEET ASSEMBLY WITH NITROGEN-DOPED
CARBON QUANTUM DOTS EMBEDDED AND PREPARATION METHOD ~71:Qingdao University of Science
and Technology, 99 Songling Road, Laoshan District, Qingdao City, Shandong Province, 266061, People's
Republic of China ~72: CHEN, Yi;HU, Zhiguo;SONG, Caixia;WANG, Debao;WANG, Zhenyu~ 33:CN
~31:202110288303.8 ~32:18/03/2021

2021/10071 ~ Complete ~54:EMOTIONAL REGULATION TRAINING SYSTEM AND METHOD BASED ON
NEURAL FEEDBACK TECHNOLOGY ~71:Department of Neurosurgery, Central Theater General Hospital of
PLA, No.627 Wuluo Road, Wuchang District, Wuhan City, Hubei Province, People's Republic of China ~72: Ding
Huichao;Lin Pan;Liu Min;Song Jian;Sun Ronghui;Wang Zaigui;Xie Tianhao~

2021/10086 ~ Complete ~54:FULL-COLOR RELIEF PLATE PAD PRINTING AND COLORING METHOD FOR
THREE-DIMENSIONAL PRODUCT SURFACE ~71:TIANJIN UNIVERSITY OF SCIENCE AND TECHNOLOGY,
No. 9, 13th Street, TEDA, People's Republic of China ~72: YU, Feihu;ZHANG, Guowei~

2021/10103 ~ Complete ~54:APPARATUS FOR AN AEROSOL GENERATING DEVICE ~71:Nicoventures Trading Limited, Globe House, 1 Water Street, LONDON WC2R 3LA, UNITED KINGDOM, United Kingdom ~72: HORROD, Martin;WHITE, Julian~ 33:GB ~31:1909384.8 ~32:28/06/2019

2021/10108 ~ Complete ~54:ADENO-ASSOCIATED VIRUS COMPOSITIONS FOR ARSA GENE TRANSFER AND METHODS OF USE THEREOF ~71:Homology Medicines, Inc., 1 Patriots Park, BEDFORD 01730, MA, USA, United States of America ~72: RUBIN, Hillard;SEYMOUR, Albert Barnes;ST. MARTIN, Thia Baboval~ 33:US ~31:62/859,539 ~32:10/06/2019;33:US ~31:62/866,374 ~32:25/06/2019;33:US ~31:62/915,523 ~32:15/10/2019;33:US ~31:62/960,487 ~32:13/01/2020;33:US ~31:62/987,858 ~32:10/03/2020;33:US ~31:63/010,970 ~32:16/04/2020

2021/10114 ~ Complete ~54:A MINING MACHINE AND A METHOD FOR ROCK EXCAVATION ~71:EPIROC ROCK DRILLS AKTIEBOLAG, 701 91 Örebro, Sweden ~72: HANS KERFSTEDT~ 33:SE ~31:1950972-8 ~32:26/08/2019

2021/10119 ~ Complete ~54:DNA-CUTTING AGENT BASED ON CAS9 PROTEIN FROM THE BACTERIUM PASTEURILLA PNEUMOTROPICA ~71:JOINT STOCK COMPANY "BIOCAD" ", Liter A. Svyazi st., 34, Strelna, Petrodvortsovy district, Russian Federation ~72: ABRAMOVA, Marina Viktorovna;ANDREEVA, Julia Valerevna;ARSENIEV, Anatoliy Nikolaevich;ARTAMONOVA, Daria Nikolaevna;ARTAMONOVA, Tatiana Olegovna;FEDOROVA, Yana Vitalievna;GORYANIN, Ignaty Igorevich;KHODORKOVSKII, Mikhail Alekseevich;MUSHAROVA, Olga Sergeevna;POBEGALOV, George Evgenevich;SELKOVA, Polina Anatolevna;SEVERINOV, Konstantin Viktorovich;SHMAKOV, Sergey Anatolievich;VASILIEVA, Aleksandra Andreevna;ZYUBKO, Tatiana Igorevna~ 33:RU ~31:2019118061 ~32:11/06/2019

2021/10068 ~ Complete ~54:SPECIAL SCREENING MACHINE FOR HIGHLAND BARLEY ~71:Qinghai Huashi Highland Barley Biological Technology Development Co., Ltd., No. 14, North Section of Jing'er Road, Biotechnology Industrial Park, Chengbei District, Xining, Qinghai, 810016, People's Republic of China;Qinghai Huashi Technology Investment Management Co., Ltd., No. 17 South Street, Chengzhong District, Xining, Qinghai, 810000, People's Republic of China;Qinghai Zhongcheng Food Testing Co., Ltd., No. 14, North Section of Jing'er Road, Biotechnology Industrial Park, Chengbei District, Xining, Qinghai, 810016, People's Republic of China ~72: DU, Yan;FAN, Meixiang;JI, Chengjun;LIANG, Feng;LIU, Yu;WAN, Youcun;WU, Jing;ZHANG, Falin;ZHANG, Jianling~

2021/10069 ~ Complete ~54:SPECIAL TIGHTENING MECHANISM AND DETECTION CONTROL SYSTEM OF HIGH-SPEED TRAIN BRAKE DISCS ~71:Qingdao University of Technology, No.777, Jialingjiang Road, Economic and Technological Development Zone, Qingdao City, Shandong, 266525, People's Republic of China ~72: LIU, Songnian;TAN, Menghua;WANG, Yiran;WANG, Zheng;XING, Jinbao;ZHAO, Juan;ZHAO, Na~

2021/10092 ~ Complete ~54:ELECTRONIC SHOWERHEAD DEVICE ~71:OASENSE, 1922 CAMBRIDGE DRIVE, MOUNTAIN VIEW, CA 94043, USA, United States of America ~72: LI, Kuan-Teh;ROWAN, Natalie;SCHNEIDER, Evan;TANG, Chih-Wei~ 33:US ~31:16/406,143 ~32:08/05/2019

2021/10096 ~ Complete ~54:ROTATABLE ELEMENT IN MACHINE TRACK HAVING THRUST WASHER STACK FOR STEPPING DOWN RELATIVE SPEEDS ~71:CATERPILLAR INC., 100 NE Adams Street, Peoria, United States of America ~72: ABELLO, Benoit;HAKES, David Jennings;LOEFFLER, Brian;PALTHEY-GLOMEAU, Paul~ 33:US ~31:16/436,209 ~32:10/06/2019

2021/10118 ~ Complete ~54:GREASE RECOVERY UNIT ~71:FOG FELLOW DESIGNS LTD, Longlands Church Lane Chaldon, United Kingdom ~72: HIGGINS, Malcolm Christopher~ 33:GB ~31:1907783.3 ~32:31/05/2019

2021/10297 ~ Provisional ~54:LOAD END ALERT (LEA) ~71:PIETER JACOBUS VAN STADEN, 27 DE WET STREET,, South Africa ~72: AREND EYSELLE;PIETER JACOBUS VAN STADEN~

2021/10075 ~ Complete ~54:OXIDE-BASED THERMAL INSULATION CERAMIC COMPOSITE MATERIAL AND PREPARATION METHOD THEREOF ~71:Zhengzhou University of Aeronautics, No.2 Daxue Middle Road, Zhengzhou City, Henan Province, People's Republic of China ~72: Chen Dongxia;Li Mingyu;Wang Xianli;Yu Zhanjun~

2021/10090 ~ Complete ~54:TETRACYCLIC COMPOUNDS AS CDC7 INHIBITORS ~71:CHIA TAI TIANQING PHARMACEUTICAL GROUP CO., LTD., No.369 Yuzhou South Rd., Haizhou District, People's Republic of China ~72: CHEN, Shuhui;DING, Charles Z;HU, Lihong;LI, Gang;LU, Lun;ZHANG, Zhibo~ 33:CN ~31:201910464384.5 ~32:30/05/2019;33:CN ~31:201910491339.9 ~32:06/06/2019;33:CN ~31:201911128459.9 ~32:18/11/2019

2021/10063 ~ Complete ~54:DEVICE AND METHOD FOR REMOVING VOLATILE ORGANIC COMPOUNDS IN AIR THROUGH PHOTOCATALYSIS ~71:Qingdao Agricultural University, 700 Changcheng Road, Chengyang District, Qingdao City, Shandong Province, 266109, People's Republic of China ~72: CHEN, Qinghua;WU, Shu'na;XIN, Yanjun~

2021/10076 ~ Complete ~54:MODIFIED XANTHAN GUM AND PREPARATION METHOD AND APPLICATION THEREOF ~71:Jiangnan University, No.1800, Lihu Road, Wuxi City, Jiangsu Province, People's Republic of China ~72: Liu Ren;Ni Caihua;Zhang Liping~

2021/10064 ~ Complete ~54:DROPLET DIGITAL POLYMERASE CHAIN REACTION (DDPCR)-BASED RAPID DETECTION METHOD FOR VIBRIO MIMICUS IN AQUATIC PRODUCT ~71:Linyi University, Middle Section of Shuangling Road, Lanshan District, Linyi City, Shandong Province, 276000, People's Republic of China ~72: DUAN, Jiayu;FENG, Bingsen;HAN, Qingdian;KANG, Dacheng;LEI, Zhiwen;LIU, Yunguo;PENG, Shanli;WU, Huanyu;ZHANG, Jie;ZHANG, Yanzeng~

2021/10065 ~ Complete ~54:CHARCOAL-BASED COMPOUND FERTILIZER DEDICATED FOR COTTON FIELDS IN SALINE SOIL AREAS AND PREPARATION METHOD THEREOF ~71:Qingdao Agricultural University, 700 Changcheng Road, Chengyang District, Qingdao City, Shandong Province, 266109, People's Republic of China ~72: CUI, Dejie;LIU, Xinwei;SONG, Xiangyun;WANG, Rui;YU, Guiling;ZHANG, Xiaoguang~

2021/10056 ~ Provisional ~54:BOREHOLE TEMPERATURE MONITORING ~71:DETNET SOUTH AFRICA (PTY) LTD, AECI Place, The Woodlands, Woodlands Drive, Woodmead, South Africa ~72: TBA~

2021/10058 ~ Provisional ~54:REP - GAMIFICATION OF YOUR GOING-OUT EXPERIENCE ~71:Riaan Sunny, 1 hope road, Rondebosch, Cape Town, South Africa ~72: Riaan Sunny~

2021/10094 ~ Complete ~54:ACTIVATING ANTI-GAL9 BINDING MOLECULES ~71:THE COUNCIL OF THE QUEENSLAND INSTITUTE OF MEDICAL RESEARCH, 300 Herston Road, Herston, Australia ~72: PULUKKUNAT, Dileep K.;WYKES, Michelle~ 33:US ~31:62/855,590 ~32:31/05/2019;33:US ~31:62/900,105 ~32:13/09/2019;33:US ~31:62/964,487 ~32:22/01/2020

2021/10102 ~ Complete ~54:APPARATUS FOR AN AEROSOL GENERATING DEVICE ~71:Nicoventures Trading Limited, Globe House, 1 Water Street, LONDON WC2R 3LA, UNITED KINGDOM, United Kingdom ~72: LOPEZ, Victor Claver~ 33:GB ~31:1909385.5 ~32:28/06/2019

2021/10105 ~ Complete ~54:POLYMORPHS OF 1-(2-(((TRANS)-3-FLUORO-1-(3-FLUOROPYRIDIN-2-YL)CYCLOBUTYL)METHYL)AMINO)PYRIMIDIN-5-YL)-1H-PYRROLE-3-CARBOXAMIDE ~71:Cytokinetics, Inc.,

280 East Grand Avenue, SOUTH SAN FRANCISCO 94080, CA, USA, United States of America ~72: MORGAN, Bradley P.;PETERSON, Matthew W.~ 33:US ~31:62/867,834 ~32:27/06/2019

2021/10112 ~ Complete ~54:METHODS AND USES FOR TREATING CANCER ~71:NELUM CORPORATION, 15 T.W. Alexander Drive Research Triangle Park, North Carolina, 27709, United States of America ~72: MANUEL HIDALGO MEDINA~ 33:US ~31:62/853,842 ~32:29/05/2019

2021/10080 ~ Complete ~54:WIDE-ANGLE REFLEX REFLECTOR ~71:YANTAI CHANGHONG PLASTIC CO.,LTD, NO. 20-1, BAOAN ROAD, YANTAI DEVELOPMENT ZONE, YANTAI AREA, PILOT FREE TRADE ZONE, People's Republic of China ~72: WANG, Honggang;YOU, Yingchun~

2021/10085 ~ Complete ~54:HEAT DISSIPATION SYSTEM FOR ELECTRIC VEHICLE CHARGING POST ~71:ZHEJIANG UNIVERSITY OF WATER RESOURCES AND ELECTRIC POWER, No. 583, Xuelin Avenue, Hi-Education Park, Xiasha District, Hangzhou, People's Republic of China ~72: CUI, Yang;HUANG, Biyi;LI, Huiying;LUO, Quanquan;SHEN, Lifang;YAN, Shubin;ZHANG, Wei;ZHU, Chuanhui~ 33:CN ~31:202111196205.8 ~32:14/10/2021

2021/10099 ~ Complete ~54:METHOD AND SYSTEM FOR CODING METADATA IN AUDIO STREAMS AND FOR FLEXIBLE INTRA-OBJECT AND INTER-OBJECT BITRATE ADAPTATION ~71:VoiceAge Corporation, 750 Lucerne Road, Suite 250, TOWN OF MOUNT ROYAL H3R 2H6, QU~201;BEC, CANADA, Canada ~72: EKSLER, Vaclav~ 33:US ~31:62/871,253 ~32:08/07/2019

2021/10110 ~ Complete ~54:RELEASE VALVE ~71:CAPPELLER FUTURA SRL, Via Delle Industrie, 32, 36050, Cartigliano (VI), Italy ~72: ALESSANDRO CAPPELLER;CLAUDIO CAMPAGNARI~ 33:IT ~31:102019000008637 ~32:11/06/2019

2021/10081 ~ Complete ~54:AN ANTI-ABRASION FACILITIES AND CONSTRUCTION METHOD AT THE BOTTOM OF DISCHARGE HOLE OF DEBRIS FLOW RETAINING DAM ~71:Linyi University, Middle Section of Shuangling Road, Lanshan District, Linyi City, Shandong Province, 276000, People's Republic of China ~72: Jia Chuanyang;Li Wei;Song Xiaoyuan;Wang Hailong;Yu Xianbin;Zhang Guibin~

2021/10083 ~ Complete ~54:HYBRID BROADCASTING DEVICE BASED ON DATA BROADCASTING TECHNOLOGY ~71:QINGDAO AGRICULTURAL UNIVERSITY, No. 700 Changcheng Road, Chengyang District, Qingdao, People's Republic of China ~72: DONG, Lirong~

2021/10097 ~ Complete ~54:METHOD FOR OPERATING A TEMPERATURE-CONTROLLED CIRCULATION SYSTEM AND TEMPERATURE-CONTROLLED CIRCULATION SYSTEM ~71:LTZ - Zentrum Für Luft- Und Trinkwasserhygiene GmbH, Tempelhofer Weg 70a, BERLIN 10829, GERMANY, Germany ~72: BAWEY, Roberto;HEINECKE, Olaf;OPITZ, Patric~ 33:IB ~31:2019/062547 ~32:15/05/2019

2021/10057 ~ Provisional ~54:HAMMER SUPPORT ~71:RODNEY BLACKLER, 17 TROUPAND STREET, South Africa ~72: RODNEY BLACKLER~

2021/10062 ~ Complete ~54:AUXILIARY DEVICE FOR FORMING AUTOMOBILE DOOR OUTER PANEL ~71:Lu~39;an City Ingenuity Information Technology Co., Ltd., Room 703, Building A, Lu~39;an Science and Technology Entrepreneurship Service Center, Lu~39;an Economic and Technological Development Zone, Lu~39;an City, Anhui Province, 237000, People's Republic of China ~72: SUN, Chuang~

2021/10078 ~ Complete ~54:VERTICAL PLANE GRIDDING TREE SHAPE AND SHAPING METHOD FOR PEAR TREE PLANTATION AND APPLICATION THEREOF ~71:Shandong Institute of Pomology, No.66 Longtan

Road, Tai'an City, Shandong Province, People's Republic of China ~72: Dong Ran;Wang Shaomin;Wei Shuwei~

2021/10089 ~ Complete ~54:METHODS OF ADMINISTERING ANTI-CD38 ANTIBODY TO TREAT MULTIPLE MYELOMA ~71:SANOFI, 54, rue de la Boétie, France ~72: AUDAT, Heloise;CAMPANA ZAMBRANO, Frank;MARION, Sylvia~ 33:US ~31:62/847,825 ~32:14/05/2019;33:US ~31:62/860,739 ~32:12/06/2019;33:US ~31:62/899,088 ~32:11/09/2019;33:EP ~31:20305223.8 ~32:03/03/2020

2021/10101 ~ Complete ~54:DENSITY FLOW METER FOR PHARMACEUTICAL FORMULATION DOSING ~71:Catalent U.K. Swindon Zydys Limited, 1 George Square, GLASGOW G2 1AL, UNITED KINGDOM, United Kingdom ~72: ARNEIL, Katherine;WADDINGTON, David;WORT, Matthew~ 33:US ~31:62/881,145 ~32:31/07/2019

2021/10106 ~ Complete ~54:APPARATUS FOR AN AEROSOL GENERATING DEVICE ~71:Nicoventures Trading Limited, Globe House, 1 Water Street, LONDON WC2R 3LA, UNITED KINGDOM, United Kingdom ~72: HORROD, Martin;LOPEZ, Victor Clavez;WHITE, Julian~ 33:GB ~31:1909377.2 ~32:28/06/2019

2021/10116 ~ Complete ~54:DRINK BOTTLE ~71:B.BOX FOR KIDS DEVELOPMENTS PTY LTD, Unit 5, 677 Springvale Road, Mulgrave, Victoria, 3170, Australia ~72: LISA EDLUND TJERNBERG;MIROSLAV EGOROV;SYLVAIN JACQUES AMATOURY~ 33:AU ~31:2019203320 ~32:13/05/2019

2021/10079 ~ Complete ~54:METHOD, TERMINAL DEVICE AND NETWORK DEVICE FOR TIME ADVANCE ADJUSTMENT ~71:TELEFONAKTIEBOLAGET LM ERICSSON (PUBL), S-164 83, Stockholm, Sweden ~72: HENRIK ENBUSKE;HENRIK SAHLIN;JAN CHRISTOFFERSSON;JINHUA LIU;MATS FOLKE;MIN WANG;ROBERT BALDEMAIR;STEFAN PARKVALL~ 33:CN ~31:PCT/CN2017/097040 ~32:11/08/2017

2021/10060 ~ Complete ~54:PREPARATION METHOD OF COPPER METAL-ORGANIC COMPLEX BASED ON DIPHENYL ETHER LIGANDS AND APPLICATION THEREOF IN DETECTION OF AL³⁺ IONS ~71:ANHUI UNIVERSITY OF SCIENCE AND TECHNOLOGY, NO.168, TAIFENG STREET, People's Republic of China ~72: JINSONG HU;SIXIN YANG~

2021/10072 ~ Complete ~54:A CROSS-INDUSTRY ACCOUNTING DATA PROCESSING METHOD AND SYSTEM ~71:Guangxi University of Finance and Economics, No.100, Ming Xiu West Road, Xixiangtang District, Nanning City, Guangxi Zhuang Autonomous Region, 530000, People's Republic of China ~72: Xiong Fangjun~

2021/10087 ~ Complete ~54:CONSTANT-TEMPERATURE FLUORESCENT AMPLIFICATION PRIMER SET, PROBE, METHOD AND KIT FOR DETECTING AFRICAN SWINE FEVER VIRUS (ASFV) ~71:INSTITUTE OF ANIMAL HEALTH, GUANGDONG ACADEMY OF AGRICULTURAL SCIENCES, Baishigang Street, Wushan, Tianhe District, Guangzhou, People's Republic of China;SOUTH CHINA AGRICULTURAL UNIVERSITY, Wushan, Tianhe District, Guangzhou, People's Republic of China;ZHENGZHOU ZHONGDAO BIOTECHNOLOGY CO., LTD., 3rd Floor, Building 2, Incubation Building, National University Science Park (West District), High-tech Zone Zhengzhou, People's Republic of China ~72: FU, Yanfeng;GONG, Lang;LOU, Yakun;LV, Dianhong;WANG, Heng;WEI, Wenkang;WEN, Xiaohui;ZHAI, Qi;ZHAI, Shaolun;ZHAO, Linping~

2021/10061 ~ Complete ~54:DISTRIBUTED COUPLED SIMULATION METHOD OF FLOW AND SEDIMENT PROCESS IN RIVER BASIN ~71:China Institute of Water Resources and Hydropower Research, No. 20 Chegongzhuang West Road, Haidian District, Beijing, 100044, People's Republic of China;China Three Gorges Corporation, No. 1 Yuyuantan South Road, Haidian District, Beijing, 100038, People's Republic of China ~72: GONG, Jiaguo;JIA, Yangwen;LIU, Jijia;NIU, Cunwen;WANG, Hao;WANG, Ying;ZHAO, Hanqing~

2021/10074 ~ Complete ~54:BUS PLATFORM ~71:YanShan University, No. 438, west section of Hebei Street, Qinhuangdao City, Hebei Province, People's Republic of China ~72: Feng Xi;Zhuang Xupin~

2021/10091 ~ Complete ~54:PYRIDO[2,3-D]PYRIMIDINE DERIVATIVES AS INHIBITORS OF HUMAN IMMUNODEFICIENCY VIRUS REPLICATION ~71:VIIV HEALTHCARE UK (NO.5) LIMITED, 980 Great West Road, Brentford Middlesex, United Kingdom ~72: GILLIS, Eric, P.;IWUAGWU, Christiana~ 33:US ~31:62/863,406 ~32:19/06/2019

2021/10104 ~ Complete ~54:APPARATUS FOR AN AEROSOL GENERATING DEVICE ~71:Nicoventures Trading Limited, Globe House, 1 Water Street, LONDON WC2R 3LA, UNITED KINGDOM, United Kingdom ~72: HORROD, Martin;LOPEZ, Victor Clavez~ 33:GB ~31:1909380.6 ~32:28/06/2019

2021/10109 ~ Complete ~54:SEALED SINGLE-DOSE BREAK-OPEN PACKAGE, DEVICE AND METHOD FOR MAKING ~71:V-SHAPES S.R.L., Via Persicetana, 20/B, 40012, Calderara Di Reno (BO), Italy ~72: CHRISTIAN BURATTINI~ 33:IT ~31:102019000009036 ~32:14/06/2019

2021/10115 ~ Complete ~54:SOFTWARE APPLICATION FOR CONTINUALLY ASSESSING, PROCESSING, AND REMEDIATING CYBER-RISK IN REAL TIME ~71:CONQUEST TECHNOLOGY SERVICES CORP, 2900 Monarch Lakes Blvd, Suite 302, Miramar, Florida, 33027, United States of America ~72: ARIEL POSADA;JEFFREY J ENGLE;THOMAS R NECLERIO~ 33:US ~31:62/859,414 ~32:10/06/2019;33:US ~31:16/897,779 ~32:10/06/2020

2021/10067 ~ Complete ~54:REINFORCED HIGHLAND BARLEY RED YEAST RICE FOR LOWERING BLOOD PRESSURE, BLOOD LIPID AND BLOOD GLUCOSE AND PREPARATION METHOD THEREOF ~71:Qinghai Huashi Highland Barley Biological Technology Development Co., Ltd., No. 14, North Section of Jing'er Road, Biotechnology Industrial Park, Chengbei District, Xining, Qinghai, 810016, People's Republic of China;Qinghai Huashi Technology Investment Management Co., Ltd., No. 17 South Street, Chengzhong District, Xining, Qinghai, 810000, People's Republic of China;Qinghai Zhongcheng Food Testing Co., Ltd., No. 14, North Section of Jing'er Road, Biotechnology Industrial Park, Chengbei District, Xining, Qinghai, 810016, People's Republic of China ~72: DU, Yan;HAO, Jing;LIANG, Feng;LIU, Yu;MA, Ping;TAN, Youjin;TU, Zhaoxin;YANG, Jing;ZHANG, Chengping;ZHOU, Wenju~

2021/10095 ~ Complete ~54:COLLISION AVOIDANCE ACTIVATION LIGHTS ~71:CATERPILLAR INC., 100 NE Adams Street, Peoria, United States of America ~72: BUMPUS, David;MCKNIGHT, James~ 33:US ~31:16/436,434 ~32:10/06/2019

2021/10113 ~ Complete ~54:METHODS OF TREATING FABRY DISEASE IN PATIENTS HAVING RENAL IMPAIRMENT ~71:AMICUS THERAPEUTICS, INC., 1 Cedar Brook Drive, Cranbury, New Jersey, 08512, United States of America ~72: FRANKLIN JOHNSON~ 33:US ~31:62/859,904 ~32:11/06/2019

2021/10093 ~ Complete ~54:TREATMENT AND DETECTION OF INHERITED NEUROPATHIES AND ASSOCIATED DISORDERS ~71:UCL BUSINESS LTD, THE NETWORK BUILDING, 97 TOTTENHAM COURT ROAD, LONDON W1T 4TP, GB, United Kingdom;UNIVERSITY OF MIAMI, 1951 NW 7th AVENUE, MIAMI, FL 33136, USA, United States of America;UNIVERSITY OF ROCHESTER, 601 ELMWOOD AVENUE, BOX URV, ROCHESTER, NY 14642, USA, United States of America ~72: CORTESE, Andrea;HERRMANN, David, N.;REBELO, Adriana;ZHAI, Rong, Grace;ZUCHNER, Stephan, L.~ 33:US ~31:62/844,370 ~32:07/05/2019;33:US ~31:62/987,151 ~32:09/03/2020

2021/10111 ~ Complete ~54:METHODS AND COMPOSITIONS FOR TREATING LIVER DISORDERS ~71:PENDULUM THERAPEUTICS, INC., 933 20th Street, San Francisco, California, 94107, United States of

America ~72: COLLEEN CUTCLIFFE;FANNY PERRAUDEAU;JAMES BULLARD;JOHN EID;ORVILLE KOLTERMAN~ 33:US ~31:62/850,773 ~32:21/05/2019

2021/10117 ~ Complete ~54:MULTI-CHANNEL COOLED PANEL FOR BLAST FURNACES AND OTHER INDUSTRIAL FURNACES ~71:CECAL TECNO INDÚSTRIA E COMÉRCIO DE EQUIPAMENTOS SOB ENCOMENDA LTDA., AVENIDA FRANKLIN ROOSEVELT, 39, Brazil ~72: GERONIMI, Carlo Lorenzo~

2021/10073 ~ Complete ~54:BACILLUS SUBTILIS KCKB1 WITH BIOCONTROL FUNCTION, BIOCONTROL AGENT AND APPLICATION THEREOF ~71:Qingdao Agriculture University, No.700 Changcheng Road, Chengyang District, Qingdao, Shandong, People's Republic of China ~72: Huang Yudan;Li Huan;Li Lin;Li Min;Liang Bin;Liu Qing;Wu Yafen;Xiang Dan;Zhu Xiaoxue~

2021/10088 ~ Complete ~54:ENVIRONMENTAL MANAGEMENT SYSTEM ~71:Ian Neil CLARKE, 48A Wichman Road, Attadale, Australia;Raphael GARCIA DA COSTA, 39 Bergkaree street, Weltevredenpark, South Africa ~72: Ian Neil CLARKE;Raphael GARCIA DA COSTA~ 33:WO ~31:PCT/IB2019/054841 ~32:11/06/2019

2021/10098 ~ Complete ~54:COMBINATION THERAPY WITH SEMAPHORIN-4D BLOCKADE (SEMA4D) AND DC1 THERAPY ~71:H. Lee Moffitt Cancer Center and Research Institute, Inc. (A Florida Non-Profit Corporation), 12902 Magnolia Drive, TAMPA 33612, FL, USA, United States of America;Vaccinex, Inc., 1895 Mt. Hope Avenue, ROCHESTER 14620, NY, USA, United States of America ~72: CZERNIECKI, Brian;EVANS, Elizabeth;KODUMUDI, Krithika~ 33:US ~31:62/865,027 ~32:21/06/2019

2021/10100 ~ Complete ~54:2H-INDAZOLE DERIVATIVES AND THEIR USE IN THE TREATMENT OF DISEASE ~71:Biogen MA Inc., 225 Binney Street, CAMBRIDGE 02142, MA, USA, United States of America ~72: BOLDUC, Philippe;EVANS, Ryan;GAO, Fang;PETERSON, Emily Anne;PFAFFENBACH, Magnus;XIN, Zhili~ 33:US ~31:62/867,521 ~32:27/06/2019

2021/10107 ~ Complete ~54:A CONTAINER AND CORRESPONDING METHOD ~71:Nicoventures Trading Limited, Globe House, 1 Water Street, LONDON WC2R 3LA, UNITED KINGDOM, United Kingdom ~72: COX, Ainsley;CRUICE, Anthony~ 33:GB ~31:1908931.7 ~32:21/06/2019

2021/10059 ~ Complete ~54:VENTILATION SYSTEM AND APPARATUS FOR REARING INSECTS ~71:STELLENBOSCH UNIVERSITY, Admin B, Victoria Street, Stellenbosch, South Africa ~72: GRESSE, Barendes Anton~

- APPLIED ON 2021/12/08 -

2021/10120 ~ Provisional ~54:ELECTRICAL POWER GENERATOR ~71:VAN DER WALT, Frans, Johannes, Strydom, MANZIL HOF NO. 5, NO. 1 LOOP STRAAT, RUSTENBURG SENTRAAL, NOORD WES, SUID AFRIKA, South Africa ~72: VAN DER WALT, Frans, Johannes, Strydom~

2021/10162 ~ Complete ~54:CONJUGATED DEOXYNIVALENOL TO PROTECT AGAINST MYCOTOXICOSIS ~71:Intervet International B.V., Wim de Körverstraat 35, BOXMEER 5831 AN, THE NETHERLANDS, Netherlands ~72: KOCH, Gudrun;KOOIJMAN, Sietske;SEGBERS, Ruud Philip Antoon Maria;WALCZAK, Mateusz;WITVLIET, Maarten Hendrik~ 33:EP ~31:19184132.9 ~32:03/07/2019

2021/10169 ~ Complete ~54:APPARATUS FOR CONDUCTING A HYDRAULIC PROOF TEST ~71:ELECTRICITE DE FRANCE, 22-30, avenue de Wagram, 75008, Paris, France ~72: ANTOINE OLLIVIER;AXEL TABUTIN;CORALIE FRENEAU;FABIEN HOUSSAY;LAURENT SORIANO;RUDOLPH BARANGER~ 33:FR ~31:FR1906744 ~32:21/06/2019

2021/10122 ~ Provisional ~54:HUMAN TRAFFICKING AND GENDER BASED VIOLENCE, TRACKER AND LAW ENFORCEMENT DASHBOARD SYSTEM (APP) ~71:Xolani Twalo, 96 Cedar Creek, Trefnand Road, South Africa ~72: Xolani Twalo~ 33:ZA ~31:2021/0112 ~32:01/12/2021

2021/10143 ~ Complete ~54:ULTRASONIC VIBRATION COMBINED TYPE WELL CLEANER AND ITS METHOD FOR WELL CLEANING ~71:Anhui university of science and technology, No.168 Taifeng street, Shannan new area, Huainan, Anhui province, 232001, People's Republic of China;The first exploration team of Anhui Coal Geology Bureau, Wolongshan road, Xiejiaji district, Huainan, Anhui province, 232025, People's Republic of China ~72: Sun Jiaying;Yan Jiaping;Yan Qi~

2021/10148 ~ Complete ~54:FLAME-RETARDANT ANTIBACTERIAL COMPOSITE WALLPAPER AND PREPARATION METHOD THEREOF ~71:Beihua University, Beihua University, 3999 Binjiang East Road, Jilin City, Jilin Province, People's Republic of China ~72: Duan Xixin;Liu Yang;Wen Mingyu~

2021/10174 ~ Complete ~54:METHOD FOR ENCODING/DECODING IMAGE SIGNAL, AND DEVICE FOR SAME ~71:XRIS CORPORATION, 508-3ho, Bdong, 230, Pangyoyeok-ro Bundang-gu, Seongnam-si, Republic of Korea ~72: LEE, Bae Keun~ 33:KR ~31:10-2019-0168586 ~32:17/12/2019;33:KR ~31:10-2020-0020366 ~32:19/02/2020;33:KR ~31:10-2020-0038866 ~32:31/03/2020;33:KR ~31:10-2020-0040600 ~32:02/04/2020;33:KR ~31:10-2020-0040852 ~32:03/04/2020

2021/10144 ~ Complete ~54:TOPICAL TRADITIONAL CHINESE HERBAL COMPOSITION FOR MAINTAINING BEAUTY AND KEEPING YOUNG, PREPARATION METHOD AND USE THEREOF ~71:DING, Kedan, Jinlong Community, Gongye West Road, Lingbao City, Henan Province, 472500, People's Republic of China;DING, Yapeng, Jinlong Community, Gongye West Road, Lingbao City, Henan Province, 472500, People's Republic of China;WANG, Lingling, Jinlong Community, Gongye West Road, Lingbao City, Henan Province, 472500, People's Republic of China ~72: DING, Kedan;DING, Yapeng;WANG, Lingling~

2021/10171 ~ Complete ~54:DEVICE FOR AGRICULTURAL MACHINE ~71:AGROTITUS - LOCAÇÃO E COMERCIO DE MAQUINAS, LTDA, Avenida Sete de Setembro, 4995 Batel, Curitiba, Brazil ~72: PINA CABRITA DA SILVA RIBEIRO, Manuel~ 33:AP ~31:AP/P/2019/011556 ~32:09/05/2019

2021/10135 ~ Complete ~54:METHOD FOR DEGRADING MICROPLASTICS IN ORGANIC SOLID WASTE ~71:Shanghai University, No.99 Shangda Road, Baoshan District, Shanghai City, People's Republic of China ~72: Huang Xiang;Li Man;Li Xiaowei;Liu Lulu;Pan Fengying;Wang Xuan~ 33:CN ~31:202110066925.6 ~32:19/01/2021

2021/10145 ~ Complete ~54:RISK DYNAMIC ANALYSIS METHOD OF GAS OUTBURST IN COAL WORKING FACE ~71:Guizhou University of Engineering Science, No. 1, Xueyuan Road, Qixingguan District, Bijie City, Guizhou Province, 551700, People's Republic of China ~72: CHEN, Xihua;GUAN, Jinfeng;LI, Huigui;XU, Guosheng;ZHOU, Kan~

2021/10152 ~ Complete ~54:OXYGEN LANCE WITH FUNCTION OF ON-LINE CONTINUOUS DETECTION OF MOLTEN STEEL TEMPERATURE IN CONVERTER AND USE METHOD THEREOF ~71:WUST Automation System Company, Ltd., Building E, High-tech Cyberport, Guandong Science and Technology Park, Donghu New Technology Development Zone, Wuhan, People's Republic of China ~72: HU, Zhigang;ZHU, Yingtao~

2021/10167 ~ Complete ~54:METHODS OF TREATING CHOLANGIOCARCINOMA ~71:QED Therapeutics, Inc., 75 Federal Street, SAN FRANCISCO 94107, CA, USA, United States of America ~72: ARANGIO, Susan;BERMAN, Craig;DAMBKOWSKI, Carl;HOWLAND, Michael;LI, Gang;MONTEITH, Michael;MULREANY, Daniel;PANICUCCI, Riccardo~ 33:US ~31:62/853,431 ~32:28/05/2019

2021/10123 ~ Complete ~54:NON-HUMAN ANIMAL EXHIBITING DIMINISHED UPPER AND LOWER MOTOR NEURON FUNCTION AND SENSORY PERCEPTION ~71:REGENERON PHARMACEUTICALS, INC., 777 Old Saw Mill River Road, Tarrytown, United States of America ~72: CROLL, Susan D.;IKIZ, Burcin;LACROIX-FRALISH, Michael~ 33:US ~31:62/133,909 ~32:16/03/2015;33:US ~31:62/250,229 ~32:03/11/2015

2021/10140 ~ Complete ~54:AN INSECT SELECTIVE BEHAVIOR RESEARCH DEVICE ~71:Shihezi University, Bei-si-lu, Shihezi, Xinjiang, People's Republic of China ~72: Chen Jing;Chen jing;He Wanjie;Li Lun;Meng Hanying;Zhang Weiwei~

2021/10166 ~ Complete ~54:IMIDAZO[1,2-A]PYRIDINYL DERIVATIVES AND THEIR USE IN THE TREATMENT OF DISEASE ~71:Biogen MA Inc., 225 Binney Street, CAMBRIDGE 02142, MA, USA, United States of America ~72: BOLDUC, Philippe;EVANS, Ryan;GAO, Fang;MAY-DRACKA, Tricia;PETERSON, Emily Anne;PFAFFENBACH, Magnus;XIN, Zhili~ 33:US ~31:62/867,589 ~32:27/06/2019

2021/10125 ~ Complete ~54:NAKED SEEDLING TRANSPLANTING METHOD FOR INCREASING COTTON YIELD IN MADAGASCAR ~71:INSTITUTE OF COTTON RESEARCH, SHANXI AGRICULTURAL UNIVERSITY, NO.118, HUANGHE AVENUE, People's Republic of China ~72: FENG, WENLONG;LI, PENGBO;LIU, JING;QIU, YURONG;SHI, JUNDONG;TAO, MINGANG;XI, KAIPENG;YANG, BIN;YANG, SULONG;YAO, ZHONG~

2021/10128 ~ Complete ~54:PREPARATION METHOD OF ANTIBIOTIC-FREE ENVIRONMENTAL-FRIENDLY FERMENTED FEED ~71:INSTITUTE OF ANIMAL HUSBANDRY, HEILONGJIANG ACADEMY OF AGRICULTURAL SCIENCES, NO. 368, XUEFU ROAD, NANGANG DISTRICT, HARBIN, People's Republic of China ~72: LI, Manyu;LIU, Guojun;ZHAO, Xiuhua~

2021/10131 ~ Complete ~54:METHOD FOR JUDGING RUNNING TREND BASED ON POWER ACQUISITION DEVICE ~71:HUBEI UNIVERSITY OF TECHNOLOGY, No. 28, Nanli Road, Hongshan District, Wuhan City, Hubei Province, People's Republic of China ~72: Fang Zuchun;Wang Fanrong;Xie Zhonghui~

2021/10141 ~ Complete ~54:AN INSECT BEHAVIOR OBSERVATION AND RECORD DEVICE ~71:Shihezi University, Bei-si-lu, Shihezi, Xinjiang, People's Republic of China ~72: Chen jing;He Wanjie;Li Lun;Meng Hanying;Ye Siying;Zhang Weiwei~

2021/10147 ~ Complete ~54:AUTOMATIC ANTIBODY INCUBATION AND WASHING MEMBRANE DEVICE FOR WESTERN BLOT EXPERIMENT ~71:North China University of Science and Technology, NO.21, Bohai Avenue, Caofeidian District, Tangshan City, Hebei Province, People's Republic of China ~72: Cai Wenchen;Gao Xuemin;Jin Fuyu;Li Shifeng;Li Tian;Li Yaqian;Mao Na;Xu Dingjie;Xu Hong~

2021/10153 ~ Complete ~54:BENZISOXAZOLE SULFONAMIDE DERIVATIVES ~71:CTXT PTY LTD, 305 Grattan Street, Parkville Melbourne, Australia;PFIZER INC., 235 East 42nd Street, New York, United States of America ~72: BOZIKIS, Ylva, Elisabet, Bergman;BRODSKY, Oleg;CAMERINO, Michelle Ang;GREASLEY, Samantha Elizabeth;HOFFMAN, Robert Louis;KUMPF, Robert Arnold;KUNG, Pei-Pei;RICHARDSON, Paul Francis;STUPPLE, Paul Anthony;SUTTON, Scott Channing~ 33:US ~31:62/863,199 ~32:18/06/2019;33:US ~31:62/953,223 ~32:24/12/2019;33:US ~31:63/025,278 ~32:15/05/2020

2021/10156 ~ Complete ~54:METHODS, TERMINAL DEVICE AND NETWORK NODE FOR UPLINK TRANSMISSION ~71:TELEFONAKTIEBOLAGET LM ERICSSON (PUBL), SE-164 83 STOCKHOLM, SWEDEN, Sweden ~72: LIU, Jinhua;WANG, Min~ 33:CN ~31:PCT/CN2019/086722 ~32:13/05/2019

2021/10160 ~ Complete ~54:BICYCLIC HETEROCYCLIC COMPOUNDS AS INHIBITORS OFBCDIN3D ACTIVITY ~71:STORM Therapeutics Ltd, Moneta Building, Babraham Research Campus, CAMBRIDGE CB22 3AT, CAMBRIDGESHIRE, UNITED KINGDOM, United Kingdom ~72: AILLARD, Boris;BLACKABY, Wesley

Peter;BROOKFIELD, Frederick Arthur;FROST, Lisa Marie;HARDICK, David James;THOMAS, Elizabeth Jane~
33:GB ~31:1908885.5 ~32:20/06/2019

2021/10164 ~ Complete ~54:SYSTEM FOR DETERMINING ELECTRIC PARAMETERS OF AN ELECTRIC
POWER GRID ~71:Reactive Technologies Limited, 9400 Garsington Road, Oxford Business Park, OXFORD OX4
2HN, UNITED KINGDOM, United Kingdom ~72: ALAKONTIOLA, Jukka;BERRY, Brian;GHEORGHE,
Daniel;PELTOLA, Timo;VENTOLA, Mika~ 33:EP ~31:19182247.7 ~32:25/06/2019

2021/10132 ~ Complete ~54:COOLING JACKET FOR GASIFICATION BURNER ~71:AIR PRODUCTS AND
CHEMICALS, INC., 7201 Hamilton Boulevard, Allentown, Pennsylvania, 18195-1501, United States of America
~72: CHENGMING GAO;GANESAN RAMACHANDRAN;HENRY CHAN;JIAN CHENG;MICAH KIFFER;QIANG
QU;QIONG ZHOU;RAJESHWAR SRIPADA;XIAOMING QUAN~ 33:US ~31:17/121,937 ~32:15/12/2020

2021/10134 ~ Complete ~54:MARINE FUNGUS FERMENTED EXTRACT AND USE THEREOF AS ANTI-
SENILE DEMENTIA DRUG ~71:Qingdao Agricultural University, No. 700, Changcheng Road, Chengyang District,
Qingdao City, Shandong Province, 266109, People's Republic of China ~72: WANG, Fengwu;YUAN,
Meng;ZHANG, Jing~

2021/10173 ~ Complete ~54:METHOD FOR ENCODING/DECODING IMAGE SIGNAL, AND DEVICE FOR
SAME ~71:XRIS CORPORATION, 508-3ho, Bdong, 230, Pangyoyeok-ro Bundang-gu, Seongnam-si, Republic of
Korea ~72: LEE, Bae Keun~ 33:KR ~31:10-2019-0124956 ~32:09/10/2019;33:KR ~31:10-2019-0125745
~32:11/10/2019

2021/10150 ~ Complete ~54:METHOD FOR MANUFACTURING ALUMINUM ALLOY ENGINE CYLINDER CAP
BY STAGED PRESSURIZED LIQUID DIE FORGOING ~71:SHANDONG JIAOTONG UNIVERSITY, NO. 5001
HAITANG ROAD, People's Republic of China ~72: LI, WEI;MA, AIQIN;SU, NA;SUN, YUEJUN;ZHONG, LI~

2021/10172 ~ Complete ~54:METHOD FOR ENCODING/DECODING IMAGE SIGNAL, AND DEVICE FOR
SAME ~71:XRIS CORPORATION, 508-3ho, Bdong, 230, Pangyoyeok-ro Bundang-gu, Seongnam-si, Republic of
Korea ~72: LEE, Bae Keun~ 33:KR ~31:10-2019-0102035 ~32:20/08/2019

2021/10129 ~ Complete ~54:FEEDING METHOD FOR ANTIBIOTIC-FREE BROILERS ~71:INSTITUTE OF
ANIMAL HUSBANDRY, HEILONGJIANG ACADEMY OF AGRICULTURAL SCIENCES, NO. 368, XUEFU ROAD,
NANGANG DISTRICT, HARBIN, People's Republic of China;INSTITUTE OF ANIMAL HUSBANDRY,
HEILONGJIANG ACADEMY OF AGRICULTURAL SCIENCES, NO. 368, XUEFU ROAD, NANGANG DISTRICT,
HARBIN, People's Republic of China ~72: LI, Manyu;LIU, Guojun;ZHAO, Xiuhua~

2021/10138 ~ Complete ~54:INTEGRATED CRUCIBLE FOR MELTING AND MELT-SPINNING AMORPHOUS
MAGNESIUM ALLOY ~71:Leshan Normal University, No. 778 Binhe Road, Shizhong District, Leshan City,
Sichuan Province, People's Republic of China ~72: Cao Fenghong;Cao Yi;Jiang Minggang;Qin Chaohui;Zhang
Yong~

2021/10158 ~ Complete ~54:DOSAGE REGIMES FOR THE ADMINISTRATION OF A LAG-3/PD-L1 BISPECIFIC
ANTIBODY ~71:F-STAR THERAPEUTICS LIMITED, Eddeva B920, United Kingdom ~72: GERMASCHEWSKI,
Fiona;GLIDDON, Daniel;GRADINARU, Cristian;HOLZ, Josefin-Beate;KAYITALIRE, Louis;LEUNG, Kin-
mei;MORROW, Michelle;SHEPHERD, Christopher~ 33:GB ~31:1906807.1 ~32:14/05/2019;33:GB
~31:1914040.9 ~32:30/09/2019;33:GB ~31:2000318.2 ~32:09/01/2020

2021/10126 ~ Complete ~54:ANALYSIS SYSTEM BASED ON BIG DATA ~71:YUAN, GUANG, ROOM 501,
GATE 1, 11TH FLOOR, HONGHUI GARDEN, People's Republic of China ~72: YUAN, GUANG~

2021/10127 ~ Complete ~54:IMAGE FORMING CONTROL METHOD, CONSUMABLE CHIP, IMAGE FORMING APPARATUS, AND CONSUMABLE ~71:ZHUHAI PANTUM ELECTRONICS CO., LTD., Buildings 02, 06 and 08, No. 888, Shengping Avenue, People's Republic of China ~72: LI, Haixiong;XIONG, Dan~ 33:CN ~31:202011425780.6 ~32:08/12/2020;33:CN ~31:202111325506.6 ~32:10/11/2021

2021/10139 ~ Complete ~54:DOUBLE-BARREL SERIES CYCLONE SEPARATOR ~71:Shaoxing Jinye Environmental Protection Technology Co., Ltd., No. 173, Zhenghai Road, Binhai Industrial Zone, Keqiao District, Shaoxing City, Zhejiang Province, 312000, People's Republic of China ~72: CHEN, Feng;FANG, Guanglin;GE, Minmin;LU, Zhiqiang;MA, Peihua;SHEN, Yimin;WANG, Guoxian;XU, Guofu;XU, Guojun;ZENG, Bin~

2021/10151 ~ Complete ~54:CUTTING ELEMENTS HAVING NON-PLANAR SURFACES AND DOWNHOLE CUTTING TOOLS USING SUCH CUTTING ELEMENTS ~71:SMITH INTERNATIONAL, INC., 1310 Rankin Rd., Houston, United States of America ~72: AZAR, Michael G.;CHEN, Chen;DURAIRAJAN, Bala;GAN, Xiaoge;KESHAVAN, Madapusi K.;LIN, Zhijun;SONG, Huimin;STEWART, Michael L.;ZHANG, Youhe;ZHAO, Liang~ 33:US ~31:61/951,155 ~32:11/03/2014;33:US ~31:14/613,144 ~32:03/02/2015

2021/10161 ~ Complete ~54:ACTIVE INGREDIENT WOUND CARE AND SCAR MANAGEMENT PRODUCTS, PROCESS OF MANUFACTURE AND USEFUL ARTICLES THEREOF ~71:Bio Med Sciences, Inc., 7584 Morris Court, Suite 218, ALLENTOWN 18106, PA, USA, United States of America ~72: ADAMS, Sean Michael;DILLON, Mark E.~ 33:US ~31:62/847,115 ~32:13/05/2019

2021/10165 ~ Complete ~54:SEAL ~71:Weir Minerals Europe Limited, Halifax Road, TODMORDEN OL14 5RT, LANCASHIRE, UNITED KINGDOM, United Kingdom ~72: BERNARDO JUNIOR, Wilson;CLARENCE, Paul;LOCKE, Matthew;LODERER, Pavol~ 33:GB ~31:1909807.8 ~32:09/07/2019

2021/10121 ~ Provisional ~54:WIND TURBINE ~71:AVENTUS ENERGY (PTY) LTD, 4 Birkenhead Street, Strand, 7140, South Africa ~72: DEON BEZUIDENHOUT~

2021/10157 ~ Complete ~54:INCONTINENCE ARTICLE IN THE FORM OF BRIEFS ~71:PAUL HARTMANN AG, PAUL-HARTMANN-STRASSE 12, 89522 HEIDENHEIM, GERMANY, Germany ~72: BEYRLE, Andreas;BUCH, Tamara;EILERS, Jörg;SCHMIDT, Ann-Cathrin~ 33:DE ~31:10 2019 112 806.4 ~32:15/05/2019

2021/10136 ~ Complete ~54:METHOD FOR TREATING CORD FABRIC DIPPING WASTE LIQUID AND SLUDGE RESOURCE UTILIZATION ~71:Institute of chemistry co. Ltd Henan Academy of Sciences, No.56 Hongzhuan Road, Jinshui District, Zhengzhou City, Henan Province, People's Republic of China ~72: Chen Jihong;Cui Junfeng;Huang Weiqing;Huang Zuohua;Li Binbin;Li Jingyuan;Li Zhenfeng;Mo Chaofeng;Shi Hongbin;Tian Zhenbang;Wang Jun;Zhao Fusheng;Zhao Guanghui;Zhao Junhui;Zhao Kejiang;Zhao Liang~

2021/10168 ~ Complete ~54:COATING METHOD AND CORRESPONDING COATING INSTALLATION ~71:DÜRR SYSTEMS AG, Carl-Benz-Straße 34, 74321, Bietigheim-Bissingen, Germany ~72: BENJAMIN WÖHR;DANIEL TANDLER;FRANK HERRE;HANS-GEORG FRITZ;JEROME LAVALLÉE;MORITZ BUBEK;STEFFEN SOTZNY;TIMO BEYL;TOBIAS BERNDT~ 33:DE ~31:10 2019 112 113.2 ~32:09/05/2019

2021/10124 ~ Complete ~54:FINE FEEDING METHOD FOR BREEDING SOWS ~71:ANIMAL HUSBANDRY AND VETERINARY BRANCH, HEILONGJIANG ACADEMY OF AGRICULTURAL SCIENCES, KEYAN STREET, People's Republic of China ~72: CHEN, HESHU;GAO, SHENGYUE;HE, XINMIAO;HUANG, XUANKAI;LI, MENGSHU;LIU, ZIGUANG;SONG, YAN;TANG, LINGLING;WANG, JIAHUI;WANG, RUI;WANG, WENTAO~

2021/10137 ~ Complete ~54:NON-IONIZED PBI/PVP MEMBRANE AND PREPARATION METHOD THEREOF AND FLOW BATTERY ~71:TAISHAN UNIVERSITY, No. 525, Dongyue Avenue, Tai'an, Shandong, 271000,

People's Republic of China ~72: CHENG, Xueli;HAN, Yinfeng;JIA, Cong;LI, Qun;TAN, Qinglong;WANG, Chang'an;WANG, Mingjuan;ZHUO, Linhai;ZUO, Jian~

2021/10170 ~ Complete ~54:SYSTEM, DEVICE AND METHOD FOR MEASURING THE INTERIOR REFRACTORY LINING OF A VESSEL ~71:PROCESS METRIX, LLC, 6622 Owens Drive, Pleasanton, California, 94588, United States of America ~72: MICHEL BONIN~ 33:US ~31:62/862,899 ~32:18/06/2019

2021/10142 ~ Complete ~54:LEVEXTREL RESIN AND PREPARATION METHOD THEREOF ~71:Jiangsu Jinshan New Material Co., Ltd., East of Building 11, Suhua Science and Technology Park, No. 208, Tongyuan Road, Suzhou Industrial Park, Jiangsu Province, 215000, People's Republic of China ~72: ZHANG, Jielai~ 33:CN ~31:202110284813.8 ~32:17/03/2021

2021/10149 ~ Complete ~54:WIDE-RANGE DUST MONITORING SYSTEM AND METHOD IN COAL MINE ~71:Anhui University of Science and Technology, No. 168 Taifeng Road, Huainan City, Anhui Province, People's Republic of China ~72: Wang Xiangqian;Yang Li;Zhang Xuesen;Zhu Yanna~

2021/10130 ~ Complete ~54:MAGNETIC MATERIAL SUPPORTED RHODAMINE B CATALYST, PREPARATION METHOD THEREOF AND CATALYTIC APPLICATION IN SYNTHESIS OF PHENOL ~71:Linyi University, Middle Section of Shuangling Road, Lanshan District, Linyi City, Shandong Province, 276000, People's Republic of China ~72: DAI, Zhichao;HAN, Zhicheng;HU, Zunfu;JIANG, Zhiguo;PENG, Yin;SUN, Yunqiang;YU, Han~

2021/10146 ~ Complete ~54:METHOD FOR IMPROVING FUNCTIONAL PROPERTIES OF PLANT PROTEIN ~71:Qingdao Agricultural University, No. 700 Changcheng Road, Chengyang, Qingdao, Shandong, People's Republic of China ~72: Cui Song;Dai Lei;Ji Na;Liu Chaoran;Qin Yang;Sun Qingjie;Zhou Liyang~

2021/10154 ~ Complete ~54:IL1RAP BINDING PROTEINS ~71:GLAXOSMITHKLINE INTELLECTUAL PROPERTY DEVELOPMENT LIMITED, 980 Great West Road, Brentford, United Kingdom ~72: EMERY, John, G.;FEI, Qi;GONG, Shiyong;KUMAR, Sanjay;REN, Fang;YANG, Teddy;YING, Hua~ 33:CN ~31:PCT/CN2019/093114 ~32:26/06/2019

2021/10133 ~ Complete ~54:COMPOSITE PRESERVATION FILM, PREPARATION METHOD AND APPLICATION THEREOF ~71:Shanghai Jiao Tong University, No. 800, Dongchuan Road, Minhang District, Shanghai, 200240, People's Republic of China ~72: DENG, Yun;DING, Yanfang;WANG, Danfeng;YIN, Hao;ZHONG, Yu;ZHOU, Xuefu~ 33:CN ~31:202011607080.9 ~32:30/12/2020

2021/10155 ~ Complete ~54:WAKE UP SIGNALING HANDLING IN DISCONTINUOUS RECEPTION ~71:NOKIA TECHNOLOGIES OY, KARAKAARI 7, 02610 ESPOO, FINLAND, Finland ~72: KOSKINEN, Jussi-Pekka;TURTINEN, Samuli;WU, Chunli~

2021/10159 ~ Complete ~54:SINGLE-CHANNEL SEQUENCING METHOD BASED ON SELF-LUMINESCENCE ~71:EGI TECH (SHEN ZHEN) CO., LIMITED, 7F, Building 11, Beishan Industrial Zone, No. 146, Beishan Road, Yangang Community, Yantian Street, People's Republic of China ~72: CHEN, Ao;CHEN, Hongmin;CHEN, Xi;FU, Defeng;LIAO, Sha;XU, Chongjun;ZHANG, Wenwei;ZHAO, Jie~

2021/10163 ~ Complete ~54:MELANOIDIN COMPOSITIONS FOR PROTECTING CROPS FROM NONFUNGAL PESTS ~71:The State of Israel, Ministry of Agriculture & Rural Development, Agricultural Research Organization (ARO) (Volcani Center), P.O.B. 15159, RISHON LEZION 7528809, ISRAEL, Israel ~72: ELAD, Yigal;GRABER, Ellen Ruth~ 33:IL ~31:267627 ~32:25/06/2019

- APPLIED ON 2021/12/09 -

2021/10209 ~ Complete ~54:SMART MONITORING AND CONTROL OF AN INDOOR VEGETATION ENVIRONMENT SYSTEM USING ARTIFICIAL INTELLIGENCE AND MACHINE LEARNING APPROACH ~71:BHANU, Battu Balaji, Department of Electronics, Andhra Loyola College, Vijayawada, India;DADHEECH, Pankaj, Department of Computer Science & Engineering, Swami Keshvanand Institute of Technology, Management & Gramothan (SKIT), Jagatpura, Jaipur, India;DAHIYA, Vineet, Department of Electrical and Electronics Engineering, School of Engineering and Technology, K R Mangalam University, Sohna Rd, Sohna Rural, India;HAQUE, Mahmudul, Department of Botany & Forestry, Vidyasagar University, Vidyasagar University Rd, Rangamati, Midnapore, India;LADE, Rohit Ashok, Department of Chemical Engineering, Parul University, Vadodara, India;MOHANASUNDARAM, Ramkumar, Department of Computer Science & Engineering, HKBK College of Engineering, No.22/1, Opposite, Manyata Tech Park Rd, Vyalikaval Society, Vyalikaval HBCS Layout, Nagavara, Bengaluru, India;PALLIVALAPPIL, Abdul Shareef, College of Computer Science and Information Science, Srinivas University, Srinivas Nagar, Mukka, Surathkal, India;PATIL, Vijay Narendranath, College of Engineering, HSBVPT's Group of Institutions, Group of Institutions, Kashti, Tal-Shrigonda, Dist-Ahamadnagar, India;ROUT, Sandeep, Faculty of Agriculture, Sri Sri University, Cuttack, India;SHETTY, Niyat, Management Department, Sasmira's Business School, Mumbai, India;SUBRAMANIAN, Muthukumar, Sri Siddhartha Academy of Higher Education, Tumkuru, India;URKUDE, Ashish Manohar, IJORD Group, Nagpur, India ~72: BHANU, Battu Balaji;DADHEECH, Pankaj;DAHIYA, Vineet;HAQUE, Mahmudul;LADE, Rohit Ashok;MOHANASUNDARAM, Ramkumar;PALLIVALAPPIL, Abdul Shareef;PATIL, Vijay Narendranath;ROUT, Sandeep;SHETTY, Niyat;SUBRAMANIAN, Muthukumar;URKUDE, Ashish Manohar~

2021/10215 ~ Complete ~54:ISOLATION OF FETAL CELLS USING FACS ~71:ARCEDI BIOTECH APS, Tablettevej 1, Denmark ~72: CHRISTENSEN, Inga Baasch;HATT, Lotte;JENSEN, Palle Schelde;JEPPESEN, Line Dahl;KØLVRAA, David Mathias Martin Leiding;NICOLAISEN, Bolette Hestbek;RAVN, Katarina;SINGH, Ripudaman~ 33:EP ~31:19179087.2 ~32:07/06/2019

2021/10219 ~ Complete ~54:AUDIO ENCODER WITH A SIGNAL-DEPENDENT NUMBER AND PRECISION CONTROL, AUDIO DECODER, AND RELATED METHODS AND COMPUTER PROGRAMS ~71:FRAUNHOFER-GESELLSCHAFT ZUR FÖRDERUNG DER ANGEWANDTEN FORSCHUNG E.V., Hansastrasse 27c, Germany ~72: BÜTHE, Jan;DÖHLA, Stefan;DIETZ, Martin;GRILL, Bernhard;SCHNELL, Markus~ 33:EP ~31:PCT/EP2019/065897 ~32:17/06/2019

2021/10177 ~ Provisional ~54:MOTION ADS ~71:Kazer Trading (Pty) Ltd, 35 Fox Street, Bramley, South Africa ~72: Lukhanyo Manisi~

2021/10183 ~ Complete ~54:MULTI-PHASE REINFORCED HIGH-STRENGTH ALUMINIUM ALLOY MATERIAL AND PREPARATION METHOD THEREOF ~71:SHANDONG JIAOTONG UNIVERSITY, NO.5001 HAITANG ROAD, CHANGQING UNIVERSITY SCIENCE PARK, People's Republic of China ~72: GUANGHUA YAN;LEI WANG;LI ZHONG;NA SU;YAN JING;YUEJUN SUN~

2021/10224 ~ Complete ~54:ALLOGENEIC T-CELL-BASED HIV VACCINE TO INDUCE CELLULAR AND HUMORAL IMMUNITY ~71:Enochian BioPharma, Inc., Century City Medical Plaza, 2080 Century Park East, Suite 906, LOS ANGELES 90067, CA, USA, United States of America ~72: GUMRUKCU, Serhat~ 33:US ~31:62/862,432 ~32:17/06/2019

2021/10176 ~ Provisional ~54:AN INCENTIVE SYSTEM ~71:NEEDHAM, Justin, Charles, Stockton, 20 TALTON ROAD, FOREST TOWN, JOHANNESBURG, 2193, SOUTH AFRICA, South Africa ~72: NEEDHAM, Justin, Charles, Stockton~

2021/10190 ~ Complete ~54:PROTEIN TAPYL1, CODING GENE AND USE THEREOF ~71:Northwest A and F University, No. 3, Taicheng Road, Yangling Demonstration Zone, Shaanxi, 712100, People's Republic of China ~72: HUANG, Xueling;KANG, Zhensheng;MAO, Hude~ 33:CN ~31:202111073339.0 ~32:14/09/2021

2021/10222 ~ Complete ~54:METHODS AND DEVICES FOR REGISTERING AND AUTHENTICATING MINER IDENTITY IN A BLOCKCHAIN NETWORK ~71:nChain Holdings Limited, Fitzgerald House, 44 Church Street, ST. JOHN'S, ANTIGUA & BARBUDA, Antigua and Barbuda ~72: COUGHLAN, Steven Patrick;MACKAY, Alexander;MEE, Andrew James;WRIGHT, Craig Steven;ZHANG, Wei~ 33:GB ~31:1906645.5 ~32:10/05/2019

2021/10182 ~ Complete ~54:METHOD FOR CULTIVATING CISTANCHE DESERTICOLA MA ~71:GAOTAI COUNTY FORESTRY TECHNOLOGY EXTENSION STATION, NO.457, NANBINHE ROAD, BINHE COMMUNITY, GAOTAI COUNTY, ZHANGYE, People's Republic of China;JIUQUAN ACADEMY OF AGRICULTURAL SCIENCES, 100-1-3, NORTH STREET, SUZHOU DISTRICT, JIUQUAN, People's Republic of China;JIUQUAN XINYUAN AGRICULTURE CO., LTD., GUABA VILLAGE, YINDA TOWN, SUZHOU DISTRICT, JIUQUAN, People's Republic of China;ZHANGYE ACADEMY OF AGRICULTURAL SCIENCES, NO. 1, XINDUN VILLAGE, XINDUN TOWN, GANZHOU DISTRICT, ZHANGYE, People's Republic of China ~72: CHEN, Peng;GAO, Yanlin;JIA, Yujian;MA, Dong;MIAO, Chunqing;SUN, Xiangchun;WANG, Juan;WANG, Weiming;WANG, Xinhai;WANG, Xueqiang;ZHENG, Rong~

2021/10223 ~ Complete ~54:MACROCYCLIC CHELATORS AND METHODS OF USE THEREOF ~71:Janssen Biotech, Inc., 800/850 Ridgeview Drive, HORSHAM 19044, PA, USA, United States of America ~72: DUDKIN, Vadim;GOLDBERG, Shalom;KEITH, John;SALTER, Rhys;SONG, Fengbin;ZHANG, Wei~ 33:US ~31:62/846,044 ~32:10/05/2019

2021/10194 ~ Complete ~54:JUDGMENT METHOD FOR CAVITATION INITIATION OF HYDRAULIC TURBINE BY COMBINING VIBRATION TEST AND PRESSURE PULSATION TEST ~71:Xi'an University of Technology, No. 5, Jinhua South Road, Xi'an City, Shaanxi Province, People's Republic of China ~72: Feng Jianjun;Li Kang;Luo Xingqi;Zhu Guojun~ 33:CN ~31:202110250580.X ~32:08/03/2021

2021/10195 ~ Complete ~54:SPRAYABLE AND HIGH-DUCTILITY POLYVINYL ALCOHOL-REINFORCED ENGINEERED CEMENTITIOUS COMPOSITE (PVA-ECC) AND PREPARATION METHOD THEREOF ~71:FUJIAN YONGZHENG CONSTRUCTION QUALITY INSPECTION CO., LTD, No. 66 Dongyuan Village, Xindian Town, Jin'an District, Fuzhou City, Fujian Province , 350012, People's Republic of China;Fuzhou University, No. 2, Wulongjiang North Avenue, Fuzhou University Town, Minhou County, Fuzhou City, Fujian Province, 350108, People's Republic of China ~72: CHAO, Pengfei;GU, Yin;HUANG, Xinyi;MAO, Guijun;SUN, Ying~ 33:CN ~31:202110202016.0 ~32:23/02/2021

2021/10204 ~ Complete ~54:RECOMMENDED FERTILIZATION SYSTEM FOR CAMELLIA SINENSIS ~71:Chongqing Academy of Agricultural Science, Tea Research Institute, No. 2 Guishan Road, Yongchuan District, Chongqing, People's Republic of China ~72: Deng Min;Sheng Zhonglei;Xu Ze;Yang Haibin;Zhang Ying~

2021/10213 ~ Complete ~54:IMPROVEMENTS IN OR RELATING TO NICKING ENZYMES ~71:LUMIRADX UK LIMITED, 3 More London Riverside, London, United Kingdom ~72: FARINA, Anthony;KRAYNACK, Bryan;PEREZ, Victor;PROVINS, Jarrod;SHEN, Daiwei~ 33:US ~31:62/864,837 ~32:21/06/2019;33:GB ~31:1915346.9 ~32:23/10/2019

2021/10216 ~ Complete ~54:SYSTEM FOR EXTRACTING ENERGY IN POWER CABLES FROM THE ELECTRIC FIELD ~71:LÓPEZ GÓMEZ, Mariano, Via Aurora 9498 Vitacura, Chile;RODRIGUEZ RÍOS, Borja, Luis Carrera 1248, depto 21, Vitacura, Chile ~72: LÓPEZ GÓMEZ, Mariano;RODRIGUEZ RÍOS, Borja~

2021/10234 ~ Complete ~54:METHOD OF DETERMINING AN INTERFACE HEIGHT OF AN INTERFACE BETWEEN AN UPPER AND A LOWER LAYER COMPRISED IN A THICKENER ~71:ENDRESS+HAUSER GROUP SERVICES AG, Kägenstr. 2, Switzerland ~72: Dhiren NAIDOO;Dimitri VAISSIERE;Jenish GHEEWALA;Matthias BREZINGER;Nicolas CADIZ;Taylor MCKERTICH~ 33:DE ~31:10 2019 118 413.4 ~32:08/07/2019

2021/10228 ~ Complete ~54:NANOPARTICLE WITH SINGLE SITE FOR TEMPLATE POLYNUCLEOTIDE ATTACHMENT ~71:ILLUMINA CAMBRIDGE LIMITED, 19 Granta Park, Great Abington, Cambridge , Cambridgeshire, CB21 6DF, United Kingdom;ILLUMINA SINGAPORE PTE. LTD., 29 Woodlands Industrial Park E1, North Tech Lobby 3, #02-13/18, Singapore, 757716, Singapore;ILLUMINA, INC., 5200 Illumina Way, San Diego, California, 92122, United States of America ~72: ALEX NEMIOSKI;ANDREW A BROWN;ERIC BRUSTAD;FEI SHEN;JEFFREY BRODIN;JONATHAN MARK BOUTELL;LENA STORMS;LORENZO BERTI;LUDOVIC VINCENT;M. SHANE BOWEN;MARIA ROBERT BACIGALUPO;MATHIEU LESSARD-VIGER;MICHAEL HOWARD;OLIVIA BENICE;PIETRO GATTI LAFRANCONI;SAURABH NIRANTAR;SERGIO PEISAJOVICH;SETH MCDONALD;WAYNE N GEORGE;XIANGYUAN YANG;YIN NAH TEO~ 33:US ~31:62/952,799 ~32:23/12/2019;33:US ~31:62/952,866 ~32:23/12/2019

2021/10230 ~ Complete ~54:RESIN COMPOSITION AND FLOW CELLS INCORPORATING THE SAME ~71:ILLUMINA, INC., 5200 Illumina Way, San Diego, California, 92122, United States of America ~72: TIMOTHY J MERKEL;YEKATERINA ROKHLENKO~ 33:US ~31:62/952,821 ~32:23/12/2019

2021/10235 ~ Complete ~54:PANEL SYSTEM FOR ROCKBURST OR LANDSLIDE CONTAINMENT IN MINING TUNNELS AND ROAD WORKS CONSISTING OF A FRAME ATTACHED TO A STRAP MESH WHOSE NODES ARE LINKED BY CONNECTING BUCKLES; AND INSTALLATION PROCEDURE ~71:GARIBALDI S.A., Los Robles 581, Chile ~72: ROJAS UBILLA, José Alberto~ 33:CL ~31:1602-2019 ~32:11/06/2019

2021/10214 ~ Complete ~54:FRUCTOPHILIC LACTIC ACID PRODUCING BACTERIA ~71:SAMI-SABINSA GROUP LIMITED, 19/1 & 19/2, I MAIN, II PHASE, PEENYA INDUSTRIAL AREA, BANGALORE 560058, KARNATAKA, INDIA, India ~72: ALI, Furqan;ARUMUGAM, Sivakumar;BEEDE, Kirankumar;MAJEED, Muhammed;MAJEED, Shaheen;NAGABHUSHANAM, Kalyanam~

2021/10233 ~ Complete ~54:SAKE REPLICAS PRODUCED FROM INDIVIDUAL COMPONENTS ~71:AVA FOOD LABS, INC., 2565 Third Street, Suite 317, San Francisco, California, 94107, United States of America ~72: ETHAN CHARLES BESWICK;JILLIAN ANGELA JASTRZEMBSKI;JOSHUA CANARIA DECOLONGON;JOSHUA LUNDQUIST;LESLIE P SILVA;MARDONN CARL CHUA~ 33:US ~31:62/861,146 ~32:13/06/2019

2021/10206 ~ Complete ~54:FIXING DEVICE FOR CHILDREN LUMBAR PUNCTURE OPERATION ~71:The first affiliated hospital of bengbu medical college, No. 287 Changhuai Road, Longzihu District, Bengbu, Anhui, People's Republic of China ~72: Chen Shuang;Dong Huaifu;Dong Xiaoyu;Zheng Haiyan~

2021/10187 ~ Complete ~54:INVOICE ANTI-COUNTERFEITING DETECTOR FOR FINACIAL ROBOTS ~71:Henan Polytechnic, No. 210, Pingan Avenue, Longzihu College Park, Zhengdong New District, Zhengzhou, Henan, People's Republic of China ~72: Baige Zhang;Hua Tian;Jingwen Liu;Mengyuan Jiang;Ruoxi Yang;Xuexia Dou;Yifan Wang;Yongkuan Zhu~

2021/10193 ~ Complete ~54:NEW PLANOMICROBIUM BEIGONGSHANGENSIS STRAIN AND USE THEREOF ~71:BEIJING TECHNOLOGY AND BUSINESS UNIVERSITY, No.33, Fucheng Road, Haidian District, Beijing, 100048, People's Republic of China ~72: REN, Qing;SUN, Leping;SUN, Zhanbin;XING, Xuan;XU, Jialiang;YAN, Yi~

2021/10196 ~ Complete ~54:PREPARATION METHOD OF WATER-SOLUBLE ASTAXANTHIN NANOEMULSION AND PREPARATION METHOD OF SELF-HEATING ANTI-FATIGUE EYE PATCH ~71:ZHEJIANG OCEAN UNIVERSITY, No. 1, Haida South Road, Lincheng Street, Dinghai District, Zhoushan, Zhejiang, 316022, People's Republic of China ~72: SONG, Ru;WEI, Rongbian;YANG, Shuyi~

2021/10205 ~ Complete ~54:BACTERICIDAL TREATMENT AGENT FOR WASTE VEGETABLE LEAVES AND PREPARATION METHOD AND APPLICATION THEREOF ~71:Agricultural Environment and Resources Institute of Yunnan Academy of Agricultural Sciences, No.2238, Beijing Road, Panlong District, Kunming City, Yunnan Province, People's Republic of China ~72: Fu Chengxiu;Yang Jida;Yang Peiwen;Zhang Qing;Zhu Hongye~

2021/10212 ~ Complete ~54:SLICING APPARATUS AND METHOD OF USING THE SAME ~71:MAXWELL CHASE TECHNOLOGIES, LLC, 125 Westlake Parkway, Suite 100, United States of America ~72: GAUTREAUX, Tom;STANOJEVIC, Ivan;WATSON, Neal, D.~ 33:US ~31:62/858,541 ~32:07/06/2019

2021/10220 ~ Complete ~54:ACTIVE COMPOUND COMBINATIONS ~71:Bayer CropScience LP, 800 North Lindbergh Boulevard, ST. LOUIS 63167, MO, USA, United States of America ~72: KRATCHMER, Jocelyn;LELLO, Raymond;MYERS, Randy;NORTON, Lawrence;PATZER, Kelly~ 33:US ~31:62/846,007 ~32:10/05/2019

2021/10236 ~ Complete ~54:ANTIBODY CAPABLE OF BINDING TO THYMIC STROMAL LYMPHOPOIETIN AND USE THEREOF ~71:JIANGSU HENGRUI MEDICINE CO., LTD., No. 7 Kunlunshan Road, Economic and Technological Development Zone,, People's Republic of China;SHANGHAI HENGRUI PHARMACEUTICAL CO., LTD., No. 279 Wenjing Road, Minhang District, People's Republic of China ~72: GE, Hu;LI, Tingting;SHI, Jinping;TAO, Weikang;WANG, Yifang;YANG, Guimei;YING, Hua~ 33:CN ~31:201910480579.9 ~32:04/06/2019

2021/10198 ~ Complete ~54:METHOD AND SYSTEM FOR WARNING, AND PREVENTION AND CONTROL BY STAGE OF WATER INRUSH DISASTERS BY TECTONIC ACTIVATION ~71:Shandong University of Science and Technology, No.579, Qianwangang Road, Huangdao District, Qingdao, Shandong Province, 266510, People's Republic of China ~72: DONG, Faxu;HAO, Jianbang;KONG, Lingjun;LIU, Weitao;SUN, Wenbin;YANG, Can;ZHANG, Jiyang;ZHANG, Peng;ZHU, Xia~

2021/10200 ~ Complete ~54:ANTI-FATIGUE POLYPHENOL COMPOSITE MEAL POWDER AND PREPARATION METHOD THEREOF ~71:Hebei Normal University of Science And Technology, No. 360 West Section of Hebei Street, Qinhuangdao, Hebei, 066004, People's Republic of China;Hebei Sport University, No. 82 Xuefu Road, Shijiazhuang City, Hebei Province, 050041, People's Republic of China ~72: FU, Mengfan;GUO, Shuo;LIU, Suwen;SHI, Donglin;WANG, Hao;ZHANG, Dong;ZHOU, Junyi~

2021/10202 ~ Complete ~54:REDOX CATALYST BASED ON HETEROATOM-DOPED CARBON MICROSPHERES LOADED WITH IRON PHOSPHIDE NANOPARTICLES AND PREPARATION METHOD THEREOF ~71:Linyi University, Middle Section of Shuangling Road, Lanshan District, Linyi City, Shandong Province, 276005, People's Republic of China ~72: CHEN, Kuiyong~

2021/10210 ~ Complete ~54:A SYSTEM FOR REMOTE MONITORING AND ASSESSMENT OF HEALTH VITALS AND A WEARABLE DEVICE THEREOF ~71:ARAVINDAKSHAN, Ritwik, Department of Mechanical Engineering, Toc H Institute of Science & Technology, Arakkunnam, Ernakulam, India;CHRISTOPHER, Kiran, Department of Mechanical Engineering, Mar Athanasius College of Engineering, Kothamangalam, India;JOSEPH, Navin Mathirappilly, Mathirappilly house Karthedom, Malipuram P.O., Ernakulam, India;KOCHERIL, Rajesh, Department of Mechanical Engineering, Toc H Institute of Science & Technology, Arakkunnam, Ernakulam, India;KUMAR, Saurav Santhosh, Sandhyaragam, Near Keltron Junction, Aroor(PO), Alappuzha, India;SETHUMADHAVAN, Sooraj, L/13, Changampuzha Nagar P.O, Kalamassery, Kochi, India;SUBRAMANIAN, Aby, Department of Mechanical Engineering, Toc H Institute of Science &

Technology, Arakkunnam, Ernakulam, India;VARRMA, Nandakisor Sunil, Sreevalsom, Karapuzha, Kottayam, India;XAVIER, Sarath, Edathil House, Mythri road, Pizhala P.O., Cochin, Ernakulam, India ~72: ARAVINDAKSHAN, Ritwik;CHRISTOPHER, Kiran;JOSEPH, Navin Mathirappilly;KOCHERIL, Rajesh;KUMAR, Saurav Santhosh;SETHUMADHAVAN, Sooraj;SUBRAMANIAN, Aby;VARRMA, Nandakisor Sunil;XAVIER, Sarath~

2021/10231 ~ Complete ~54:FLOW CELLS ~71:ILLUMINA CAMBRIDGE LIMITED, 19 Granta Park, Great Abington, Cambridge, CB21 6DF, United Kingdom ~72: ALEXANDRE RICHEZ~ 33:US ~31:63/015,259 ~32:24/04/2020

2021/10188 ~ Complete ~54:STUFF CANISTER ASSEMBLY OF INFRARED DEHUMIDIFICATION, CRYSTALLIZATION, DRYING ALL-IN-ONE MACHINE ~71:ZHANGJIAGANG LIANDA MACHINERY CO., LTD, Jinnan Road, Yuqiao Village, Jinfeng Town, Suzhou City, Jiangsu, 215600, People's Republic of China ~72: PAN, Xueming;ZHENG, Yong~ 33:CN ~31:202110478686.5 ~32:30/04/2021

2021/10208 ~ Complete ~54:EXPRESSION OF NOVEL CELL TAGS ~71:INTREXON CORPORATION, 1750 Kraft Drive Suite 1400, Blacksburg, Virginia, 24060, United States of America ~72: PETER EMTAGE;RAMYA YARLAGADDA;RUTUL SHAH~ 33:US ~31:62/516,639 ~32:07/06/2017

2021/10227 ~ Complete ~54:NITROOXY DERIVATIVE OF ROCK KINASE INHIBITOR ~71:VIVAVISION (SHANGHAI) LTD, Room 207, 209 Building 5, No. 334 Aidisheng Rd, Pudong District, Shanghai, 200000, People's Republic of China ~72: CHAO ZHANG;CHUNMING CHEN;JIACHEN MI;JIALEI SHEN;KUIFENG DANG;LIHONG SHAN;WANG SHEN;WEN DING;XIAXIN SHENG;XIN WANG;YABO SUN;YONG LI~ 33:CN ~31:202010107800.9 ~32:21/02/2020

2021/10184 ~ Complete ~54:COMPOUND PROBIOTICS FEED ADDITIVE FOR GOSLINGS ~71:INSTITUTE OF ANIMAL HUSBANDRY, HEILONGJIANG ACADEMY OF AGRICULTURAL SCIENCES, NO. 368, XUEFU ROAD, NANGANG DISTRICT, People's Republic of China ~72: FUGANG PENG;GUOJUN LIU;JINYAN SUN;SHAN YUE;XIUHUA ZHAO;YAUNLIANG ZHANG;ZHENHUA JIN;ZHONGQIU LI~

2021/10186 ~ Complete ~54:MONITORING DEVICE FOR MILDEWING OF FORAGE GRASS ~71:INNER MONGOLIA ACADEMY OF AGRICULTURAL AND ANIMAL HUSBANDRY SCIENCES, NO.22, ZHAOJUN ROAD, YUQUAN DISTRICT, HOHHOT CITY, People's Republic of China ~72: NA, na;QI, Limoge;SUN, Lin;WANG, Chao;WU, Nier;WU, Xiaoguang;XIAO, Yanzi;XUE, Yanlin;ZHANG, Fujin;ZHAO, Yi~

2021/10191 ~ Complete ~54:TEA GARDEN FERTILIZING METHOD WITH REDUCED QUANTITY AND TIMES ~71:Chongqing Academy of Agricultural Science, Research Institute, No. 2 Guishan Road, Yongchuan District, Chongqing, People's Republic of China ~72: Deng Min;Sheng Zhonglei;Wu Xiuhong;Xu Ze;Yang Haibin~

2021/10197 ~ Complete ~54:PREPARATION METHOD OF SECONDARY FRESH-KEEPING FERMENTED BEER ~71:Jinan Kerun Biotechnology Co., Ltd., South Door, No. 15, Weiwu Road, Huaiyin District, Jinan City, Shandong Province, 250021, People's Republic of China ~72: LI, Jiyuan;ZHAO, Ping;ZHAO, Wenjuan~

2021/10211 ~ Complete ~54:PRIMERS, KIT, AND METHOD FOR RAPID DETECTION OF VIBRIO CHOLERAEE (V. CHOLERAEE) BASED ON RECOMBINASE-AIDED AMPLIFICATION (RAA)-LATERAL FLOW DIPSTICK (LFD) ~71:SHANGHAI OCEAN UNIVERSITY, No. 999, Huchenghuan Rd., Lingang New City, Pudong New Area, People's Republic of China ~72: LI, Darong;SUN, Xiaohong;ZHAO, Jiayi;ZHAO, Yong~

2021/10225 ~ Complete ~54:PLANT EXTRACT MIXTURE FOR USE IN THE PREVENTION AND/OR TREATMENT OF CHRONIC INFLAMMATORY BOWEL DISEASES ~71:VALBIOTIS, ZI des Quatre Chevaliers ,

rue Paul Vatine - Bâtiment 12 F, Périgny, 17180, France ~72: OTERO, Yolanda;PELTIER, Sébastien;SIRVENT, Pascal~ 33:FR ~31:FR1906165 ~32:11/06/2019

2021/10232 ~ Complete ~54:PROCESS FOR RECOVERING RARE EARTHS ~71:AUSTRALIAN NUCLEAR SCIENCE & TECHNOLOGY ORGANISATION, New Illawarra Road, Lucas Heights, New South Wales, 2234, Australia ~72: ELIZABETH MARGARET HO;JOHN DEMOL;KARIN HELENE SOLDENHOFF~ 33:AU ~31:2019902212 ~32:25/06/2019

2021/10175 ~ Provisional ~54:AN ON-DEMAND ELECTRICITY BILLING SYSTEM AND METHOD ~71:NEURA TECHNOLOGIES (PTY) LTD., Third Floor, Building 13,, The Woodlands, 20 Woodlands Drive, JOHANNESBURG 2191, Gauteng, SOUTH AFRICA, South Africa ~72: DU TOIT, Ignatius Johannes;NEILSON, Peter John~

2021/10203 ~ Complete ~54:FEED MIXING EQUIPMENT FOR PIG BREEDING ~71:Institute of Animal Science and Veterinary Medicine, Shandong Academy of Agricultural Sciences, No.202 Industrial North Road, Licheng District, Jinan, Shandong, People's Republic of China ~72: GUO JIANFENG;HAO LIHONG;HU HONGMEI;LI JINGXUAN;LIN HAICHAO;LIU XIAOHUI;XIE QINGZHU;ZHAO XUEYAN~

2021/10207 ~ Complete ~54:COMPOSITIONS AND METHODS FOR TREATING IDIOPATHIC OVERACTIVE BLADDER SYNDROME AND DETRUSOR OVERACTIVITY ~71:ION CHANNEL INNOVATIONS, LLC, 23 Agnes Cir, Ardsley, New York, 10502, United States of America ~72: ARNOLD MELMAN;GEORGE CHRIST;KARL-ERIK ANDERSSON~ 33:US ~31:62/505,382 ~32:12/05/2017

2021/10229 ~ Complete ~54:NANOPARTICLE WITH SINGLE SITE FOR TEMPLATE POLYNUCLEOTIDE ATTACHMENT ~71:ILLUMINA CAMBRIDGE LIMITED, 19 Granta Park, Great Abington, Cambridge , Cambridgeshire, CB21 6DF, United Kingdom;ILLUMINA SINGAPORE PTE. LTD., 29 Woodlands Industrial Park E1, North Tech Lobby 3, #02-13/18, Singapore, 757716, Singapore;ILLUMINA, INC., 5200 Illumina Way, San Diego, California, 92122, United States of America ~72: ANDREW A BROWN;CLIFFORD WANG;ERIC BRUSTAD;HASSAN BOHRA;MARIA ROBERT BACIGALUPO;PIETRO GATTI LAFRANCONI;WAYNE N GEORGE;XIANGYUAN YANG;YIN NAH TEO~ 33:US ~31:62/952,799 ~32:23/12/2019;33:US ~31:62/952,866 ~32:23/12/2019

2021/10178 ~ Provisional ~54:TILE AND TILING SYSTEM ~71:BELGOTEX FLOORCOVERINGS (PTY) LTD t/a Belgotex Floors, 20 Chesterfield Road, South Africa ~72: GAVIN ALEXANDER ROOKE (personal capacity) and The New Order (Pty) Ltd (sole director)~

2021/10185 ~ Complete ~54:CORN SEED PREPARATION METHOD THROUGH ROW POLLINATION ~71:JIUQUAN ACADEMY OF AGRICULTURAL SCIENCES, 100-1-3, NORTH STREET, SUZHOU DISTRICT, JIUQUAN, People's Republic of China;JIUQUAN XINYUAN AGRICULTURE CO., LTD, GUABA VILLAGE, YINDA TOWN, SUZHOU DISTRICT, JIUQUAN, People's Republic of China;ZHANGYE ACADEMY OF AGRICULTURAL SCIENCES, NO. 1, XINDUN VILLAGE, XINDUN TOWN, GANZHOU DISTRICT, ZHANGYE, People's Republic of China ~72: JIA, Yujian;MA, Dong;MIAO, Chunqing;SONG, Xuelin;SUN, Xiangchun;WANG, Juan;WANG, Weiming;WANG, Xinhai;WANG, Xueqiang;YANG, Yong;ZHENG, Rong~

2021/10226 ~ Complete ~54:METHOD FOR VARNISHING SUBSTRATES, AND VARNISHED SUBSTRATES ~71:ACTEGA SCHMID RHYNER AG, Soodring 29, 8134, Adliswil-Zürich, Switzerland ~72: DIETER WYLER;DIRK SCHLATTERBECK;PETER ELADIO LUDWIG;ROLAND RÜEDI~ 33:DE ~31:10 2019 114 277.6 ~32:28/05/2019

2021/10179 ~ Provisional ~54:SOLAR COOKER ~71:COX, Matthew Roger, c/o Unit 2, 61 Koper Street, Laboria, POLOKWANE 0699, Limpopo, SOUTH AFRICA, South Africa;JONES, Tessa Marie, c/o Unit 2, 61 Koper Street, Laboria, POLOKWANE 0699, Limpopo, SOUTH AFRICA, South Africa ~72: COX, Matthew Roger~

2021/10192 ~ Complete ~54:WASTEWATER TREATMENT DEVICE FOR PIG FARM ~71:Institute of Animal Science and Veterinary Medicine, Shandong Academy of Agricultural Sciences, No.202 Industrial North Road, Licheng District, Jinan City, Shandong Province, People's Republic of China ~72: Guo Jianfeng;Lin Haichao;Liu Xiaohui;Tao Zhiyong;Wang Huaizhong;Wang Yanping;Zhao Xueyan~

2021/10218 ~ Complete ~54:NON-INVASIVE PULSATILE DEVICE FOR CIRCULATORY ASSISTANCE ~71:CARDIO INNOVATIVE SYSTEMS, 70 rue Michel-Ange, France ~72: BAILLIART, Olivier;CHASTANIER, Pierre;DIXMIER, Michel;LE BLE, Renan~

2021/10201 ~ Complete ~54:REDOX CATALYST BASED ON HETEROATOM-DOPED CARBON NANOTUBE LOADED WITH IRON PHOSPHIDE NANOPARTICLES AND PREPARATION METHOD THEREOF ~71:Linyi University, Middle Section of Shuangling Road, Lanshan District, Linyi City, Shandong Province, 276005, People's Republic of China ~72: LIU, Yue~

2021/10221 ~ Complete ~54:METHODS AND DEVICES FOR RECORDING WORK HISTORY AND PROVING REPUTATION IN A BLOCKCHAIN NETWORK ~71:nChain Holdings Limited, Fitzgerald House, 44 Church Street, ST. JOHN'S, ANTIGUA & BARBUDA, Antigua and Barbuda ~72: COUGHLAN, Steven Patrick;MACKAY, Alexander;MEE, Andrew James;WRIGHT, Craig Steven;ZHANG, Wei~ 33:GB ~31:1906634.9 ~32:10/05/2019

2021/10180 ~ Provisional ~54:A CAP ~71:PEPLER, GRANT, UNIT 1096, DE VELDE ESTATE, South Africa ~72: PEPLER, GRANT~

2021/10189 ~ Complete ~54:METHOD FOR PREPARING HIGHLAND BARLEY BRAN TEA RICH IN WATER-SOLUBLE DIETARY FIBERS ~71:Qinghai Huashi Highland Barley Biological Technology Development Co., Ltd., No. 14, North Section of Jing'er Road, Biotechnology Industrial Park, Chengbei District, Xining, Qinghai, 810016, People's Republic of China;Qinghai Huashi Technology Investment Management Co., Ltd., No. 17 South Street, Chengzhong District, Xining, Qinghai, 810000, People's Republic of China;Qinghai Zhongcheng Food Testing Co., Ltd., No. 14, North Section of Jing'er Road, Biotechnology Industrial Park, Chengbei District, Xining, Qinghai, 810016, People's Republic of China ~72: DU, Yan;FAN, Meixiang;HAO, Jing;JI, Chengjun;MA, Ping;QI, Xingfang;WU, Jing;ZHANG, Chengping;ZHANG, Jianling~

2021/10217 ~ Complete ~54:MODIFIED ADENOVIRUSES ~71:GRITSTONE BIO, INC., 5959 Horton Street, Suite 300, United States of America ~72: GITLIN, Leonid;JOOSS, Karin;SCALLAN, Ciaran Daniel~ 33:US ~31:62/854,865 ~32:30/05/2019

2021/10181 ~ Provisional ~54:RENEWABLE POWER AND WATER GENERATOR ~71:CIRRUS REHOS RENEWABLE POWER AND WATER (PTY) LTD, Suite 103, Wrenrose Court, 64 St Andrew Street, Birdhaven, South Africa ~72: ENSLIN, Johan Adam;MURRAY, Mike~

2021/10199 ~ Complete ~54:SCREENING METHOD OF MARKERS FOR PREDICTION OF PRETERM DELIVERY, PRETERM DELIVERY TEST KIT AND USE THEREOF ~71:Maternal and Child Health Care Hospital of Shandong Province, Shandong University, No. 238 Jingshi Road, Jinan, 250001, People's Republic of China ~72: FANG, Zhenya;LI, Anna;WANG, Xietong;ZHANG, Meihua~ 33:CN ~31:202111046761.7 ~32:06/09/2021

- APPLIED ON 2021/12/10 -

2021/10239 ~ Provisional ~54:LINEAR PROPULSION EXCITER MECHANISM ~71:MOHLALEFI (PTY) LTD., 18 Tongani Street, Bryanston Ext 45, Sandton, Gauteng, 2191, South Africa ~72: MARTIN NARE MASITISE~

2021/10243 ~ Complete ~54:METHOD OF RAPID VITRIFIED CRYOPRESERVATION AND RECOVERY OF STRONGYLOCENTROTUS INTERMEDIUS EMBRYO ~71:Dalian Ocean University, 52 Heishijiao Street, Shahekou District, Dalian City, Liaoning Province, People's Republic of China ~72: Chang Yaqing;Song Jian;Zhan Yaoyao;Zhang Weijie;Zhao Tanjun~

2021/10252 ~ Complete ~54:DETECTION METHOD AND DETECTION EQUIPMENT OF INORGANIC SELENIUM ~71:Qingdao Agricultural University, 700 Changcheng Road, Chengyang District, Qingdao, Shandong Province, 266109, People's Republic of China ~72: SHI, Yanxi;TIAN, Xia;ZHENG, Qingzhu~

2021/10262 ~ Complete ~54:ARRAY AND METHOD FOR DETECTING SPATIAL INFORMATION OF NUCLEIC ACIDS ~71:BGI SHENZHEN, Main Building, Beishan Industrial Zone, People's Republic of China;MGI TECH CO., LTD., Main Building and Second Floor of No. 11 Building, People's Republic of China ~72: CHEN, Ao;DRMANAC, Radoje;DRMANAC, Snezana;JIANG, Yuan;LI, Yuxiang;LIAO, Sha;LIU, Longqi;NI, Ming;TANG, Guoxin;WANG, Ou;XU, Chongjun;XU, Xun;YANG, Jin;ZHANG, Wenwei~ 33:CN ~31:201910403775.6 ~32:15/05/2019;33:CN ~31:201911240733.1 ~32:06/12/2019

2021/10268 ~ Complete ~54:NOVEL SPIROBICYCLIC INTERMEDIATES ~71:Janssen Pharmaceutica NV, Turnhoutseweg 30, BEERSE 2340, BELGIUM, Belgium ~72: BRAMBILLA, Marta;CHINTA, Nagaraju;HULLAERT, Jan Julien A;JOUFFROY, Lucile Marguerite;MEERPOEL, Lieven;NEOUCHY, Zeïna;THURING, Johannes Wilhelmus John F.;VERHOEVEN, Jonas;VERNIEST, Guido Alfons F;WINNE, Johan Maurits~ 33:IN ~31:201911023295 ~32:12/06/2019;33:EP ~31:19193707.7 ~32:27/08/2019

2021/10273 ~ Complete ~54:NEW TRICYCLIC 5-HT₂ ANTAGONISTS ~71:AnaMar AB, c/o Koncentra Holding AB, Drottningatan 86, 1 tr, STOCKHOLM 111 36, SWEDEN, Sweden ~72: PETTERSSON, Lars~ 33:EP ~31:19180740.3 ~32:18/06/2019

2021/10280 ~ Complete ~54:METHOD FOR THE CHARACTERIZATION OF PEPTIDE:MHC BINDING POLYPEPTIDES ~71:immatics biotechnologies GmbH, Paul-Ehrlich-Straße 15, TÜBINGEN 72076, GERMANY, Germany ~72: BACKERT, Linus;BUNK, Sebastian;FRITSCH, Jens;HOFMANN, Martin;HUTT, Meike;SALOPIATA, Florian;SCHIMMACK, Gisela;SCHOOR, Oliver;SCHUSTER, Heiko;UNVERDORBEN, Felix;WEINSCHENK, Toni~ 33:DE ~31:10 2019 121 834.9 ~32:13/08/2019;33:US ~31:62/886,225 ~32:13/08/2019

2021/10291 ~ Complete ~54:CASEIN KINASE 1 INHIBITORS FOR USE IN THE TREATMENT OF DISEASES RELATED TO DUX4 EXPRESSION SUCH AS MUSCULAR DYSTROPHY AND CANCER ~71:FACIO INTELLECTUAL PROPERTY B.V., Galileiweg 8, Netherlands ~72: DE MAEYER, Joris;GEESE, Marcus;HIRSCH, Rolf;LOKE, Pui Leng;MONECKE, Sebastian~

2021/10242 ~ Complete ~54:IMPROVED DEVICE FOR REAL-TIME MONITORING COASTAL EROSION ~71:Zhejiang University of Water Resources and Electric Power, No. 508, 2nd Street, Hangzhou Economic and Technological Development Zone, Hangzhou City, Zhejiang Province, People's Republic of China ~72: Chai Wenwei;Huang Saihua;Liu Yao;Nie Hui;Xie Huawei;Zhang Qiyu~

2021/10246 ~ Complete ~54:COMB-BRUSH SWINGING TYPE BEAN POD REMOVAL DEVICE ~71:Sichuan Agricultural University, No.221 Huimin Road, Wenjiang District, Chengdu City, Sichuan Province, People's Republic of China ~72: Fu Xiaodong;Lv Xiaolian;Lv Xiaorong;Tang Peng~

2021/10253 ~ Complete ~54:STEAM FLOW DETECTION SYSTEM OF AUTOMATIC SUGAR BOILING CONTROL SYSTEM ~71:Mengla Mengpeng Sugar Industry Co., Ltd., Mengpeng Town, Mengla County, Xishuangbanna Dai Autonomous Prefecture, Yunnan Province, 666307, People's Republic of China ~72: HUANG, Zhenjun; YANG, Wanming~ 33:CN ~31:202110043060.1 ~32:13/01/2021

2021/10256 ~ Complete ~54:FEMININE ABSORBENT ARTICLES WITH BONDED SIDE FLAPS AND AN APPARATUS FOR PRODUCING THE SAME ~71:Johnson & Johnson Consumer Inc., 199 Grandview Road, SKILLMAN 08558, NJ, USA, United States of America ~72: ALKMIN, Marco Antonio; CAU, Jose Francisco; SARDINHA, Gilson Philigret~ 33:US ~31:62/479,812 ~32:31/03/2017

2021/10258 ~ Complete ~54:METHODS AND SYSTEMS FOR CRYOPRESERVATION AND RESUSPENSION OF BODY FLUIDS ~71:VITALANT, 6210 E. Oak Street, Scottsdale, Arizona, 85257, United States of America ~72: LARRY J DUMONT~ 33:US ~31:62/678,765 ~32:31/05/2018

2021/10274 ~ Complete ~54:SYSTEM FOR MANUFACTURING MORTAR-BASED ELEMENTS ~71:Endress+Hauser (Deutschland) GmbH+Co. KG, Colmarer Straße 6, WEIL AM RHEIN 79576, GERMANY, Germany; Saint-Gobain Weber, 2-4 rue Marco Polo, SUCY-EN- BRIE 94370, FRANCE, France ~72: BLAAKMEER, Jan; HOFMANN, Tanja; NUNES LOBO, Bruno Miguel; OPDENBUSCH, Kersten; PIERTZIK, Lutz~ 33:EP ~31:19182638.7 ~32:26/06/2019

2021/10281 ~ Complete ~54:BISPECIFIC ANTIBODY AGAINST ALPHA-SYN/IGF1R AND USE THEREOF ~71:ABL BIO INC, 2F, 16, Daewangpangyo-ro 712beon-gil, Bundang-gu, Seongnam-si, Gyeonggi-do, 13488, Republic of Korea ~72: BORA LEE; BYUNGJE SUNG; DAEHAE SONG; DONGIN KIM; HYESU YUN; JAEHYUN EOM; JINHYUNG AHN; JINWON JUNG; JUHEE KIM; KYUNGJIN PARK; SUNGWON AN; YONG-GYU SON~ 33:KR ~31:10-2019-0071057 ~32:14/06/2019

2021/10292 ~ Complete ~54:A METHOD FOR INCREASING CANNABIS YIELD VIA GENE EDITING ~71:BETTERSEEDS LTD., 54 Birkat Am Street, Israel ~72: COREM, Shira; MARGALIT, Ido; SHERMAN, Tal~ 33:US ~31:62/863,279 ~32:19/06/2019

2021/10241 ~ Provisional ~54:COMBINATION WALL AND FENCE SYSTEM WITH INTRUSION DETECTION ~71:SPEIRS, Michael, 21 Tewkesbury, Cotswold Downs, South Africa ~72: SPEIRS, Michael~

2021/10266 ~ Complete ~54:SYSTEM AND METHOD FOR PROXIMITY-BASED AUTHENTICATION ~71:ENTERSEKT INTERNATIONAL LIMITED, Level 3, Alexander House, Mauritius ~72: BESTER, Daniël Deetlefs; DE WET, Petrus Johannes; NOLTE, Francois Archibald; OOSTHUIZEN, Gerhard Gysbert~ 33:ZA ~31:2019/04570 ~32:12/07/2019

2021/10270 ~ Complete ~54:MIXED OXIDE BASED ON CERIUM AND ZIRCONIUM ~71:Rhodia Operations, 52 rue de la Haie Coq, AUBERVILLIERS 93300, FRANCE, France ~72: IFRAH, Simon; JORGE COELHO MARQUES, Rui; LI, Wei; ZHU, Ling~ 33:IB ~31:2019/096864 ~32:19/07/2019

2021/10245 ~ Complete ~54:COMPOSITION FOR TREATING POSTPARTUM METABOLIC DISEASES OF DAIRY COWS, AND PREPARATION METHOD AND APPLICATION THEREOF ~71:Beijing Sunlon Livestock Development Co., Ltd, No. 5, Deyu Street, Demaozhuang, Jiugong Town, Daxing District, Beijing, People's Republic of China ~72: Guo Gang; Li Minghua; Shen Yueyu; Sun Dexiao; Yu Changping; Zhang Haibo; Zhang Junchang~

2021/10251 ~ Complete ~54:ULTRASONIC-ASSISTED TRANSIENT LIQUID PHASE BONDING METHOD FOR HIGH-STRENGTH CORROSION-RESISTANT MG/AL JOINT ~71:QINGDAO UNIVERSITY OF TECHNOLOGY,

No.777, Jialingjiang Road, Huangdao District, Qingdao City, Shandong Province, 266555, People's Republic of China ~72: LI, Jie;LI, Yinan;PENG, Zilong;YANG, Chengfei;YU, Zijing;ZHOU, Taoshuai~

2021/10278 ~ Complete ~54:HIGH DEFINITION AND EXTENDED DEPTH OF FIELD INTRAOCULAR LENS ~71:Z Optics, Inc., 1022 Briarcrest Lane, COOKEVILLE 38501, TN, USA, United States of America ~72: SARVER, Edwin J.;SIMMS, James J.~ 33:US ~31:62/861,120 ~32:13/06/2019;33:US ~31:62/986,115 ~32:06/03/2020;33:US ~31:62/988,802 ~32:12/03/2020

2021/10285 ~ Complete ~54:ANTIBODIES AND METHODS OF USE ~71:OXFORD BIOTHERAPEUTICS LTD, 94A Innovation Drive, Milton Park, Abingdon, Oxford, Oxfordshire, OX14 4RZ, United Kingdom ~72: ARNIMA BISHT;JAMES ACKROYD~ 33:US ~31:62/870,269 ~32:03/07/2019;33:US ~31:62/965,450 ~32:24/01/2020

2021/10265 ~ Complete ~54:METHODS OF USING RAD51 INHIBITORS FOR TREATMENT OF PANCREATIC CANCER ~71:CYTEIR THERAPEUTICS, INC., 128 Spring Street, Building A, Suite 510, Lexington, United States of America ~72: CASTRO, Alfredo C.;DAY, Melinda;MACLAY, Tyler;MCCOMAS, Casey Cameron;MILLS, Kevin;VACCA, Joseph~ 33:US ~31:62/864,861 ~32:21/06/2019;33:US ~31:62/895,138 ~32:03/09/2019

2021/10277 ~ Complete ~54:HEART VALVE SEALING DEVICES AND DELIVERY DEVICES THEREFOR ~71:Edwards Lifesciences Corporation, One Edwards Way, IRVINE 92614, CA, USA, United States of America ~72: DELGADO, Sergio;MA, Minh T.~ 33:US ~31:62/953,098 ~32:23/12/2019

2021/10286 ~ Complete ~54:METHOD FOR VANADIUM EXTRACTION BY DIRECT LEACHING OF SODIUM-CONTAINING VANADIUM SLAG IN MOLTEN IRON ~71:CHENGDU ADVANCED METAL MATERIAL INDUSTRIAL TECHNOLOGY RESEARCH INSTITUTE CO., LTD., (Room A1301-1311, 1319, 13th Floor, Section A, Railport Harbour Bulding) China (Sichuan) Pilot Free Trade Zone, No.1509, Xiangdao Avenue, Chengxiang Town, Qingbaijiang District Chengdu, Sichuan, 610306, People's Republic of China ~72: JIANG DIAO;LIAN CHEN;SENXIANG YANG;WENSUN GE~ 33:CN ~31:201910398310.6 ~32:14/05/2019

2021/10294 ~ Complete ~54:AGENT-BASED TURING COMPLETE TRANSACTIONS INTEGRATING FEEDBACK WITHIN A BLOCKCHAIN SYSTEM ~71:NCHAIN HOLDINGS LIMITED, Fitzgerald House, 44 Church Street, Antigua and Barbuda ~72: SAVANAH, Stephane;WRIGHT, Craig Steven~ 33:GB ~31:1603112.2 ~32:23/02/2016;33:GB ~31:1603114.8 ~32:23/02/2016

2021/10250 ~ Complete ~54:PHOTOCURING CERAMIC 3D PRINTING MATERIAL SPREADING DEVICE AND USING METHOD THEREOF ~71:Dongguan University of Technology, No.1, Daxue Rd., Songshan Lake, Dongguan, Guangdong, 523808, People's Republic of China ~72: CHEN, Shenggui;LI, Nan;LU, Bingheng;MA, Hongwei;TANG, Jianlin;WANG, Chengyun;XIAO, Chuang~

2021/10255 ~ Complete ~54:METHOD FOR PREVENTING AND CONTROLLING ROCK BURST IN COAL AREA UNDER THREE-DIMENSIONAL COAL PILLARS ~71:SHANXI INSTITUTE OF TECHNOLOGY, No. 1, Xueyuan Road, Development Zone, Yangquan City, Shanxi, 045000, People's Republic of China ~72: GAO, Feng;LI, Jianguo;LI, Quanzhong;LI, Xiaoxing;PAN, Liyou;QIN, Dongdong;SHI, Dezhi;WANG, Kai;WEI, Hui;ZHANG, Feng~

2021/10259 ~ Complete ~54:METHOD AND SYSTEM FOR PRODUCING LOW CARBON FERROCHROME FROM CHROMITE ORE AND LOW CARBON FERROCHROME PRODUCED THEREBY ~71:MM METALS USA, LLC, 4000 Chemical Road, Suite 401, Plymouth Meeting, United States of America ~72: MUSTOE, Trevor N.;SAVILLE, James (deceased);SHAW, Daniel;WILLIAMS, John~ 33:US ~31:16/454,283 ~32:27/06/2019

2021/10271 ~ Complete ~54:INDUCTOR ~71:Nicoventures Trading Limited, Globe House, 1 Water Street, LONDON WC2R 3LA, UNITED KINGDOM, United Kingdom ~72: ABI AOUN, Walid;HORROD, Martin Daniel;WHITE, Julian Darryn;WOODMAN, Thomas Alexander John~ 33:GB ~31:1909338.4 ~32:28/06/2019

2021/10288 ~ Complete ~54:SYSTEM FOR PROVIDING BIRTH CONTROL ~71:THE POPULATION COUNCIL, INC., One Dag Hammarskjold Plaza, New York, New York, 10017, United States of America ~72: BRUCE VARIANO~ 33:US ~31:16/448,399 ~32:21/06/2019

2021/10247 ~ Complete ~54:METHOD FOR DETECTING GENETIC TOXICITY OF OIL-BASED DRILL CUTTINGS ~71:First Institute of Oceanography, Ministry of Natural Resources of China, 6 Xianxialing Road, Laoshan District, Qingdao City, Shandong Province, People's Republic of China;Guangdong Laboratory Animals Monitoring Institute, 11 Fengxin Road, Luogang District, Guangzhou City, Guangdong Province, People's Republic of China ~72: Cui Zhisong;Gao Wei;Li Jianjun;Li Shujun;Lin Zhongting;Zhao Xilong~

2021/10263 ~ Complete ~54:COMPOSITE NONWOVEN SHEET MATERIAL ~71:ESSITY HYGIENE AND HEALTH AKTIEBOLAG, 405 03, Sweden ~72: AHONIEMI, Hannu;BOGREN, Maria;STRANDQVIST, Mikael~ 33:WO ~31:PCT/SE2019/050700 ~32:18/07/2019

2021/10269 ~ Complete ~54:CLIPPING INDICES CODING FOR ADAPTIVE LOOP FILTER IN VIDEO CODING ~71:QUALCOMM Incorporated, ATTN: International IP Administration, 5775 Morehouse Drive, SAN DIEGO 92121-1714, CA, USA, United States of America ~72: EGILMEZ, Hilmi Enes;HU, Nan;KARCZEWICZ, Marta;SEREGIN, Vadim~ 33:US ~31:62/859,948 ~32:11/06/2019;33:US ~31:16/897,049 ~32:09/06/2020

2021/10275 ~ Complete ~54:THERMOLYSIS SYSTEM AND METHOD FOR OBTAINING RECOVERED CARBON BLACK AND FUEL FROM DISUSED TYRES ~71:RUIZ HERRERA, Luis Javier, Alcazar de San Juan, CIUDAD REAL 13600 , SPAIN, Spain ~72: RUIZ HERRERA, Luis Javier~

2021/10282 ~ Complete ~54:MODULATORS AND MODULATION OF THE RECEPTOR FOR ADVANCED GLYCATION END-PRODUCTS RNA ~71:MONASH UNIVERSITY, Wellington Road, Clayton, Victoria, 3800, Australia;MURDOCH UNIVERSITY, South Street, Murdoch, Western Australia 6150, Australia ~72: CARLOS ROSADO;MERLIN CHRISTOPHER THOMAS;RAELENE JANE PICKERING;STEPHEN WILTON~ 33:AU ~31:2019901641 ~32:14/05/2019;33:AU ~31:2019902095 ~32:17/06/2019;33:AU ~31:2019902772 ~32:02/08/2019;33:AU ~31:2019903900 ~32:16/10/2019

2021/10293 ~ Complete ~54:PARAMETER ENCODING AND DECODING ~71:FRAUNHOFER-GESELLSCHAFT ZUR FÖRDERUNG DER ANGEWANDTEN FORSCHUNG E.V., Hansastrasse 27c, Germany ~72: BAYER, Stefan;BOUTHÉON, Alexandre;DISCH, Sascha;FUCHS, Guillaume;HERRE, Jürger;KÜCH, Fabian;MULTRUS, Markus;THIERGART, Oliver~ 33:EP ~31:19180385.7 ~32:14/06/2019

2021/10298 ~ Provisional ~54:MOLECULAR HEEI ENGINE-AING MOTOR ~71:Carlos Alberto Dos Santos Aires, Tsepisong 4607, Phase I, South Africa;Sandra Ntombikaise Aires, Tsepisong 4607, Phase I, South Africa ~72: Carlos Alberto Dos Santos Aires~

2021/10254 ~ Complete ~54:ADDITIVE FOR CORE MAKING OF COMPOSITE HARDENED WATER GLASS SAND AND USE THEREOF ~71:Shenyang University of Technology, 111 Shenliao West Road, Economic and Technological Development Zone, Shenyang City, Liaoning Province, 110870, People's Republic of China ~72: LI, Yingmin;LIU, Weihua;SONG, Lai;XIN, Fanghai~

2021/10261 ~ Complete ~54:CROP INPUT APPLICATION SYSTEMS, METHODS, AND APPARATUS ~71:MA INDUSTRIES, LLC, 180 Detroit Avenue, Morton, IL, United States of America ~72: ABERLE, Reid;HESTERBERG, Connor;KOCH, Justin;MOORE, Nowell;NAFZIGER, Tyler;NUEST, Steven;SAUDER,

Greggory;SAUDER, Timothy;WAREMBURG, Kyle;WELTE, Jonathan~ 33:US ~31:62/862,953
~32:18/06/2019;33:US ~31:62/883,579 ~32:06/08/2019

2021/10238 ~ Provisional ~54:KITE LAUNCH-LAND SYSTEM ~71:OCEANERGY INNOVATION GMBH,
MITTELSTRASSE 11, D-70180 STUTTGART, GERMANY, Germany ~72: REINERS, Wolfram, Johannes,
Bernd~

2021/10240 ~ Provisional ~54:LINEAR MOTION EXCITER ~71:MOHLALEFI (PTY) LTD., 18 Tongani Street,
Bryanston Ext 45, Sandton, Gauteng, 2191, South Africa ~72: MARTIN NARE MASITISE~

2021/10264 ~ Complete ~54:SYSTEM AND METHOD FOR IDENTIFYING A BROWSER INSTANCE IN A
BROWSER SESSION WITH A SERVER ~71:ENTERSEKT INTERNATIONAL LIMITED, Level 3, Alexander
House, Mauritius ~72: BESTER, Daniël Deetlefs;DE WET, Petrus Johannes;NOLTE, Francois
Archibald;OOSTHUIZEN, Gerhard Gysbert~ 33:ZA ~31:2019/04570 ~32:12/07/2019

2021/10276 ~ Complete ~54:METHODS OF TREATING URINARY SYSTEM CANCERS ~71:QED Therapeutics,
Inc., 75 Federal Street, SAN FRANCISCO 94107, CA, USA, United States of America ~72: ARANGIO,
Susan;BERMAN, Craig;DAMBKOWSKI, Carl;LI, Gang;MONTEITH, Michael;MULREANY, Daniel;PANICUCCI,
Riccardo;SOIFER, Harris~ 33:US ~31:62/855,277 ~32:31/05/2019;33:US ~31:62/906,194 ~32:26/09/2019

2021/10283 ~ Complete ~54:PRODUCTS OF MANUFACTURE AND METHODS FOR TREATING,
AMELIORATING OR PREVENTING CORONAVIRUS INFECTION ~71:TOPELIA AUSTRALIA PTY LTD, Level 1,
229 Great North Road, Five Dock, New South Wales, 2046, Australia ~72: THOMAS JULIUS BORODY~ 33:US
~31:62/971,803 ~32:07/02/2020;33:US ~31:62/972,486 ~32:10/02/2020;33:US ~31:62/988,852
~32:12/03/2020;33:US ~31:62/990,283 ~32:16/03/2020;33:US ~31:62/992,137 ~32:19/03/2020;33:US
~31:16/828,891 ~32:24/03/2020;33:US ~31:63/019,883 ~32:04/05/2020;33:US ~31:63/060,461
~32:03/08/2020;33:US ~31:63/109,214 ~32:03/11/2020;33:US ~31:17/116,942 ~32:09/12/2020

2021/10289 ~ Complete ~54:AMINO BENZAZEPINE COMPOUNDS, IMMUNOCONJUGATES, AND USES
THEREOF ~71:BOLT BIOTHERAPEUTICS, INC., 900 Chesapeake Drive, Redwood City, California, 94063,
United States of America ~72: ARTHUR LEE;BRIAN SAFINA;MATTHEW ZHOU;MICHAEL N ALONSO;ROMAS
KUDIRKA;SHELLEY ERIN ACKERMAN~ 33:US ~31:62/861,139 ~32:13/06/2019;33:US ~31:62/963,884
~32:21/01/2020

2021/10267 ~ Complete ~54:TOKENIZED ASSET BACKED BY GOVERNMENT BONDS AND IDENTITY AND
RISK SCORING OF ASSOCIATED TOKEN TRANSACTIONS ~71:AGARWAL, Nitin, A 3006 Lodha Meridian,
Kukatpally 5th Phase, India;PASCHINI, Miles, 2826 Palomino Cir., United States of America ~72: AGARWAL,
Nitin;PASCHINI, Miles~ 33:US ~31:62/859,665 ~32:10/06/2019

2021/10237 ~ Provisional ~54:A DIAGNOSTIC DEVICE ~71:HLOMUKA HOLDINGS (PTY) LTD, 238
BLUESTREAM VILLAS, 1 MATT STREET, PRETORIUS PARK, 0081, SOUTH AFRICA, South Africa ~72:
NGIDI, Nhlakanipho, Pascal~

2021/10244 ~ Complete ~54:EARLY DETECTION METHOD OF TRADITIONAL CHINESE MEDICINE
NEPHROTOXICITY BASED ON HK-2 MONOLAYER POLAR CELL MODEL CULTURED BY TRANSWELL
~71:Institute of Chinese Materia Medica;China Academy of Chinese Medical Sciences, No.5 Dongzhimen Inner
Street, Dongcheng District, Beijing City, People's Republic of China ~72: Cao Chunyu;Hao Ran;Hui Lianqiang;Li
Chun;Liu Ting;Yang Yifei;Zhang Haijing~

2021/10260 ~ Complete ~54:CAPTURE AND ANALYSIS OF TARGET GENOMIC REGIONS ~71:RAPID GENOMICS LLC, 747 SW 2nd Avenue, Gainesville, FL, United States of America ~72: NEVES, Leandro, Gomide~ 33:US ~31:62/846,988 ~32:13/05/2019

2021/10257 ~ Complete ~54:REFERENCE PICTURE MANAGEMENT IN VIDEO CODING ~71:Huawei Technologies Co., Ltd., Huawei Administration Building, Bantian, Longgang District, SHENZHEN 518129, GUANGDONG, CHINA (P.R.C.), People's Republic of China ~72: HENDRY, Fnu;WANG, Ye-Kui~ 33:US ~31:62/719,360 ~32:17/08/2018

2021/10287 ~ Complete ~54:METHOD FOR PRODUCING CALCIUM-CONTAINING VANADIUM SLAG BY ADDING LIME TO CONVERTER WITH MOLTEN IRON AND LEACHING METHOD THEREFOR ~71:CHENGDU ADVANCED METAL MATERIAL INDUSTRIAL TECHNOLOGY RESEARCH INSTITUTE CO., LTD., (Room A1301-1311, 1319, 13th Floor, Section A, Railport Harbour Bulding) China (Sichuan) Pilot Free Trade Zone, No.1509, Xiangdao Avenue, Chengxiang Town, Qingbaijiang District Chengdu, Sichuan, 610306, People's Republic of China ~72: HAILONG ZHOU;JIANG DIAO;LIAN CHEN;WENSUN GE~ 33:CN ~31:201910409630.7 ~32:16/05/2019

2021/10290 ~ Complete ~54:TARGETED GENE EDITING CONSTRUCTS AND METHODS OF USING THE SAME ~71:UNIVERSITAT POMPEU FABRA, Pla de la Mercè, 10-12 08002 Barcelona, Spain ~72: AVENCIA SÁNCHEZ-MEJÍAS GARCÍA;DIMITRIE IVANCIC DJERMANOVIC;MARC GÜELL CARGOL;MARIA PALLARÈS MASMITJA~ 33:US ~31:62/860,186 ~32:11/06/2019

2021/10272 ~ Complete ~54:VAPOUR DELIVERY SYSTEMS ~71:Nicoventures Trading Limited, Globe House, 1 Water Street, LONDON WC2R 3LA, UNITED KINGDOM, United Kingdom ~72: BALL, Daniel;POTTER, Mark~ 33:GB ~31:1909882.1 ~32:10/07/2019

2021/10284 ~ Complete ~54:ELECTRONIC DEVICE AND METHOD OF UTILIZING STORAGE SPACE THEREOF ~71:SAMSUNG ELECTRONICS CO., LTD., 129, Samsung-ro, Yeongtong-gu, Suwon-si, Gyeonggi-do, 16677, Republic of Korea ~72: JINTAE JANG;JUNWOO LEE;WONSUK JUNG~ 33:KR ~31:10-2019-0069161 ~32:12/06/2019

2021/10248 ~ Complete ~54:PUSH-TYPE WATER-SAVING FAUCET ~71:China International Engineering Consulting Corporation, Zhongzi building, 32 Chegongzhuang West Road, Beijing, People's Republic of China;Hebei University of Engineering, No.19,Taiji Road, economic and Technological Development Zone, Handan, Hebei, People's Republic of China;Hohai University, No. 1, Xikang Road, Gulou District, Nanjing, Jiangsu, People's Republic of China ~72: Gao Haoyue;He Lixin;Huo Yunchao;Li Bin;Li Huayue;Luan Qinghua;Ma Jing;Wang Haichao;Wang Ziyuan~

2021/10249 ~ Complete ~54:PREPARATION OF TOTAL FLAVONOIDS FROM PHYSALIS PUBESCENS WITH HIGH ANTIOXIDANT ACTIVITY ~71:Jinzhou Medical University, No.40, Section 3, Songpo Road, Linghe District, Jinzhou City, Liaoning Province, People's Republic of China ~72: Wang Jingjing~

2021/10279 ~ Complete ~54:ARRANGEMENT AND METHOD FOR BALANCING A GUN BARREL OF A VEHICLE MOUNTED WEAPON SYSTEM ~71:BAE Systems Hägglunds Aktiebolag, ÖRNSKÖLDSVIK 891 82, SWEDEN, Sweden ~72: SUNDQUIST, Rikard~ 33:SE ~31:1950833-2 ~32:02/07/2019

- APPLIED ON 2021/12/13 -

2021/10302 ~ Complete ~54:NANNOCHLOROPSIS OCEANICA WITH CORN ANTIMICROBIAL PROTEIN AND CONVERSION METHOD AND APPLICATION THEREOF ~71:Qingdao Agricultural University, 700 Great Wall

Road, Chengyang District, Qingdao, Shandong Province, 266109, People's Republic of China ~72: Aihua Wang;Chunmei Zhao;Guofeng Yang;Guoyong Jiang;Hua Xin;Lili Cong;Wangdan Xiong~

2021/10315 ~ Complete ~54:GALLIC ACID HAIR DYE AND USE METHOD THEREOF ~71:Linhai Secondary Vocational and Technical School, No.305 Dayang West Road, Linhai City, Taizhou City, Zhejiang Province, 317000, People's Republic of China ~72: ZHANG, Xiaoyou~

2021/10328 ~ Complete ~54:ORCHARD PEST DETECTION SYSTEM BASED ON DEEP LEARNING AND METHOD THEREOF ~71:Qingdao Agricultural University, No. 700, Changcheng Road, Chengyang District, Qingdao City, Shandong Province, 266000, People's Republic of China;Shandong Provincial Yantai Apple big data Co., Ltd, No. 1, Lanhai Road, High tech District, Yantai City, Shandong Province, 264000, People's Republic of China ~72: Deng Limiao;Jiang Zhiyou;Li Changzhong;Li Juan;Zhao Longgang;Zhao Luhai~

2021/10338 ~ Complete ~54:IMAGE STRUCTURE TENSOR GUIDANCE-BASED MARINE CONTROLLED-SOURCE ELECTROMAGNETIC INVERSION METHOD ~71:CENTRAL SOUTH UNIVERSITY, No. 932, South Lushan Road, Yuelu District, Changsha, People's Republic of China ~72: GUO, Zhenwei;HUANG, Linqi;LI, Hao;LIU, Chunming;LIU, Jianxin;WANG, Bochen~

2021/10299 ~ Provisional ~54:MOBILE APPLICATION ~71:Honest Sekonya, 40145, South Africa ~72: Croxley Shengange;Honest Sekonya~

2021/10311 ~ Complete ~54:BREATHABLE REFLECTIVE MULCHING FILM FOR PREVENTING AND CONTROLLING BLUEBERRY FRUIT FLIES AND MANUFACTURING METHOD THEREOF ~71:Guizhou Institute of Biology, No. 1, Tongyin Road, Xiaohe Economic Development Zone, Guiyang City, Guizhou , 550009, People's Republic of China ~72: HUANG, Zhenxing;LIAO, Youjiang;NIE, Fei;WEN, Guangqin;WEN, Guangzhong;YANG, Feng;ZHOU, Ying~

2021/10318 ~ Complete ~54:ATTAPULGITE-DYE REVERSIBLE THERMOCHROMIC COMPOSITE PIGMENT AND PREPARATION METHOD THEREOF ~71:Linhai Secondary Vocational and Technical School, No.305 Dayang West Road, Linhai City, Taizhou City, Zhejiang Province, 317000, People's Republic of China ~72: ZHANG, Xiaoyou~

2021/10331 ~ Complete ~54:FERMENTED TRADITIONAL CHINESE MEDICINE IMMUNOPOTENTIATOR, AND PREPARATION METHOD AND USE THEREOF ~71:Henan Agricultural University, No. 218, Pingan Avenue, Zhengdong New District, Zhengzhou City, Henan Province, 450046, People's Republic of China ~72: CHANG, Juan;NING, Changshen;YANG, Mingfan;YAO, Chunxiao;ZHANG, Hongying~

2021/10334 ~ Complete ~54:METHODS AND COMPOSITIONS FOR TREATING NON-ERK MAPK PATHWAY INHIBITOR-RESISTANT CANCERS ~71:BIOMED VALLEY DISCOVERIES, INC., 4520 Main Street, 16th Fl., Kansas City, Missouri, 64111, United States of America ~72: DEAN WELSCH;GARY DECRESCENZO;JEFFREY JAMES ROIX;SAURABH SAHA~ 33:US ~31:15/161,137 ~32:20/05/2016

2021/10337 ~ Complete ~54:METHOD FOR CALCULATING FIRST ARRIVAL TIME DIFFERENCE OF MICROSEISMIC SIGNALS ~71:CENTRAL SOUTH UNIVERSITY, No. 932 South Lushan Road, Yuelu District, Changsha, People's Republic of China ~72: GUO, Zhenwei;HUANG, Linqi;LI, Xibing;SHI, Ying;WANG, Shaofeng~

2021/10305 ~ Complete ~54:AUTOMATIC ADJUSTMENT METHOD AND SYSTEM FOR METRO TRAIN RESCUE ~71:BEIJING JIAOTONG UNIVERSITY, Beijing Jiaotong University, No. 3, Shangyuancun, Haidian District, Beijing, 100044, People's Republic of China ~72: SU, Boyi;SU, Shuai;WANG, Zhikai~ 33:CN ~31:202110017463 .9 ~32:07/01/2021

2021/10307 ~ Complete ~54:METHOD FOR INTELLIGENT IDENTIFICATION AND DIVISION OF TEMPORAL-SPATIAL EVOLUTION PROCESS OF WATER INRUSH DISASTERS BY TECTONIC ACTIVATION AND SENSING AND WARNING SYSTEM ~71:SHANDONG UNIVERSITY OF SCIENCE AND TECHNOLOGY, No.579 Qianwangang Road, Huangdao District, Qingdao, Shandong Province, 266510, People's Republic of China ~72: CAO, Zhenbo;CHEN, Juntao;LIU, Hongqiang;LIU, Weitao;SUN, Wenbin;WANG, Shaoyu;XUE, Yandong;YANG, Hui;ZHANG, Yujun;ZHAO, Jinhai;ZHAO, Like;ZHAO, Wenqi~

2021/10329 ~ Complete ~54:AUTOMATIC COLLISION AVOIDANCE SYSTEM FOR UNMANNED SHIPS ~71:Qingdao University of Science and Technology, No.99 Songling Road, Laoshan District, Qingdao City, Shandong Province, 266061, People's Republic of China ~72: An Shun;He Yan;Wang Longjin~

2021/10335 ~ Complete ~54:INFLATABLE NECK TRACTION DEVICE ~71:HOI MING MICHAEL HO, H2, The Terrace at The Bloomsway, 28 Tsing Ying Road, Tuen Mun, NT., Hong Kong ~72: HOI MING MICHAEL HO~33:CN ~31:202011467755.4 ~32:14/12/2020;33:US ~31:17/147,448 ~32:12/01/2021

2021/10340 ~ Complete ~54:STEAM PRODUCTION ~71:COCHRANE, Richard William, 3 Melrose Boulevard, 4 Ground Floor, Melrose Arch, Johannesburg, 2017, South Africa;COCHRANE, William Thomas, 3 Melrose Boulevard, 4 Ground Floor, Melrose Arch, Johannesburg, 2017, South Africa ~72: COCHRANE, Richard Wialliam;COCHRANE, William Thomas~

2021/10344 ~ Complete ~54:FLEXIBLE AND HIGH-THROUGHPUT SEQUENCING OF TARGETED GENOMIC REGIONS ~71:RAPID GENOMICS LLC, 747 SW 2nd Avenue, Gainesville, FL, United States of America ~72: NEVES, Leandro, Gomide;PAYTON, Adam~ 33:US ~31:62/854,458 ~32:30/05/2019

2021/10348 ~ Complete ~54:COMBINATION THERAPIES WITH BISPECIFIC ANTI-EGFR/C-MET ANTIBODIES AND THIRD GENERATION EGFR TYROSINE KINASE INHIBITORS ~71:Janssen Biotech, Inc., 800/850 Ridgeview Drive, HORSHAM 19044, PA, USA, United States of America ~72: LAQUERRE, Sylvie;LORENZI, Matthew;MOORES, Sheri~ 33:US ~31:62/847,605 ~32:14/05/2019

2021/10349 ~ Complete ~54:ACTIVATED LYMPHOCYTIC CELLS AND METHODS OF USING THE SAME TO TREAT CANCER AND INFECTIOUS CONDITIONS ~71:G Tech Bio LLC, Century City Medical Plaza, 2080 Century Park East, Suite 710, LOS ANGELES 90067, CA, USA, United States of America ~72: GUMRUKCU, Serhat~ 33:US ~31:62/861,487 ~32:14/06/2019

2021/10353 ~ Complete ~54:DELAYING PEAK EFFECT AND/OR EXTENDING DURATION OF RESPONSE ~71:EIRION THERAPEUTICS, INC., 25-K Olympia Ave., Suite 200, Woburn, Massachusetts, 01801, United States of America ~72: JONATHAN EDELSON~ 33:US ~31:62/847,901 ~32:14/05/2019

2021/10359 ~ Complete ~54:GRAIN DISCHARGING HOPPER AND GRAIN DRIER WITH THE SAID GRAIN DISCHARGING HOPPER ~71:ANHUI CHENYU MACHINERY TECHNOLOGY CO, LTD, Yinque Road, Lu'an Economic And Technological Development Zone, Lu'an City, People's Republic of China ~72: DUAN, Xianwu;PAN, Wenchao;WU, Yunsheng;YANG, Jian;ZHU, Huangfu~ 33:CN ~31:202010718562.5 ~32:23/07/2020

2021/10360 ~ Complete ~54:CIRCUMCISION DEVICE ~71:INNOVATIVE MEDICAL TECHNOLOGY (PTY) LTD, 1 Hanover Road, South Africa ~72: PARKER, Cyril Norman;PARKER, Elisabeth Regina~ 33:ZA ~31:2019/03137 ~32:20/05/2019

2021/10308 ~ Complete ~54:AN EFFECTIVE METHOD FOR DETECTING AND PREVENTING MALICIOUS NODE FOR COLLABORATIVE GRAYHOLE THREATS IN MOBILE AD-HOC NETWORKS ~71:Dr. Amitabha Yadav, Deen Dayal Upadhyay Kaushal Kendra , National PG College , Lucknow, Uttar Pradesh, 226001, India;Dr.

Indra Prakash Mishra, Uttar Pradesh Textile Technology Institute , Kanpur, Uttar Pradesh, 208001, India;Dr. Manish Khare, Dhirubhai Ambani Institute of Information and Communication Technology , Gandhi Nagar , Gujarat , 382007, India;Dr. Neeraj Kumar Tiwari, Babasaheb Bhimrao Ambedkar University (Satellite Centre), Lucknow, Uttar Pradesh, 226029, India;Mr. Abhishek Bajpai, Rajkiya Engineering College , Kannauj , Uttar Pradesh, 209732, India;Mr. Ashish Kumar Singh, Maharana Pratap Engineering College , Kanpur, Uttar Pradesh, 209217, India;Mr. Gaurish Joshi, Rajkiya Engineering College , Kannauj , Uttar Pradesh, 209732, India;Mr. Naveen Kumar Tiwari, Rajkiya Engineering College , Kannauj , Uttar Pradesh, 209732, India;Mr. Shashank Yadav, Rajkiya Engineering College , Kannauj , Uttar Pradesh, 209732, India ~72: Dr. Amitabha Yadav;Dr. Indra Prakash Mishra;Dr. Manish Khare;Dr. Neeraj Kumar Tiwari;Mr. Abhishek Bajpai;Mr. Ashish Kumar Singh;Mr. Gaurish Joshi;Mr. Naveen Kumar Tiwari;Mr. Shashank Yadav~

2021/10309 ~ Complete ~54:SIGN LANGUAGE TRANSLATOR ~71:MANIPAL UNIVERSITY JAIPUR, Manipal University Jaipur, Dehmi Kalan, off Jaipur-Ajmer Expressway, Jaipur, Rajasthan, 303007, India ~72: Dr. Anju Yadav;Dr. Bhavna Saini;Dr. Devi Prasad Sharma;Dr. Gaurav Aggarwal;Dr. Neerja Vyas;Mr. Rahul Saxena;Mr. Virender Dehru;Ms. Anubha Parashar;Ms. Apoorva Parashar;Ms. Falguni Sharma;Ms. Kavita;Ms. Mihika Nigam;Ms. Neha V Sharma~

2021/10320 ~ Complete ~54:A METHOD FOR PROMOTING THE GROWTH OF STRONG SEEDLINGS VIA PHYSICAL STIMULATION TO CUCUMBER COTYLEDONS ~71:Shandong Academy of Agricultural Sciences, No. 202, Industrial North Road, Qianfu Street, Licheng District, Jinan City, Shandong Province, 250100, People's Republic of China ~72: KONG, Xianghua;WANG, Kean;WANG, Xiao;WEN, Dan;YANG, Ning~

2021/10304 ~ Complete ~54:MOLECULAR IDENTIFICATION METHOD FOR COPTIS CHINENSIS ~71:Jiangxi Agricultural University, No.1101, Zhimin Avenue, Economic Development District, Nanchang City, Jiangxi Province, 330045, People's Republic of China ~72: Gou Yuting;Li Bo;Min Daozhang;Xiang Dongying;Zheng Chen~

2021/10323 ~ Complete ~54:METHOD FOR ON-LINE TRACKING CALCULATION METHOD OF WAVE PEAK FREQUENCY ~71:Qingdao University of Science and Technology, No.99 Songling Road, Laoshan District, Qingdao City, Shandong Province, 266061, People's Republic of China ~72: An Shun;He Yan;Wang Longjin~

2021/10326 ~ Complete ~54:MINE MULTI-PARTICLE DUST PREPARATION AND INTELLIGENT SPRAYING DEVICE ~71:Anhui University of Science and Technology, No.168 Taifeng Road, Huainan City, Anhui Province, 232001, People's Republic of China ~72: Huang Yourui;Ma Tianbing;Shi Peisong;Tu Qingyi;Xu Jiachang;Zhang Guisheng;Zhu Yanna~

2021/10347 ~ Complete ~54:BICYCLIC COMPOUND AS RIP-1 KINASE INHIBITOR AND APPLICATION THEREOF ~71:MEDSHINE DISCOVERY INC., Room 218, No. 9 Gaoxin Road, Jiangbei New District, People's Republic of China ~72: CHEN, Shuhui;HE, Haiying;LI, Peng;WEI, Wei~ 33:CN ~31:201910471672.3 ~32:31/05/2019;33:CN ~31:201911089490.6 ~32:08/11/2019;33:CN ~31:202010432710.7 ~32:20/05/2020

2021/10324 ~ Complete ~54:LOW-TEMPERATURE COMPOSITE PHASE CHANGE MATERIAL AND PREPARATION METHOD THEREOF ~71:North China University of Science and Technology, 21 Bohai Road, Caofeidian Xincheng, Tangshan, Hebei, 063210, People's Republic of China ~72: CAO, Yaran;DU, Peipei;LI, Zhihui;LONG, Yue;QIU, Mingwei;REN, Qianqian;WANG, Zhengzheng;XING, Lei;XU, Bo;ZHAO, Pengyue~ 33:CN ~31:202111113500.2 ~32:23/09/2021

2021/10336 ~ Complete ~54:ADJUSTABLE INFLATABLE NECK SUPPORT DEVICE AND METHOD FOR MANUFACTURING THE SAME ~71:HOI MING MICHAEL HO, H2, The Terrace at The Bloomsway, 28 Tsing Ying Road, Tuen Mun, NT., Hong Kong ~72: HOI MING MICHAEL HO~ 33:CN ~31:202011467755.4

~32:14/12/2020;33:US ~31:17/147,448 ~32:12/01/2021;33:CN ~31:202110625030.1 ~32:04/06/2021;33:US
~31:17/343,952 ~32:10/06/2021

2021/10362 ~ Provisional ~54:DIGITAL IDENTITY FOR ANIMALS ~71:Runveer Singh, 970 Waxberry Avenue,
South Africa ~72: Runveer Singh~

2021/10310 ~ Complete ~54:GYPSUM-BASED TILE ADHESIVE MATERIAL AND PREPARATION METHOD
THEREOF ~71:Nanjing Tech University, 30 Puzhu South Road, Pukou District, Nanjing City, Jiangsu Province,
210000, People's Republic of China ~72: Bao Ningzhong;Jiao Jiawei;Li Dongxu;Liao Dalong;Lu Duyou~ 33:CN
~31:202111415862.7 ~32:25/11/2021

2021/10317 ~ Complete ~54:ORGANICALLY MODIFIED ATTAPULGITE-DYE HYBRID PIGMENT, AND
PREPARATION METHOD AND USE THEREOF ~71:Linhai Secondary Vocational and Technical School, No.305
Dayang West Road, Linhai City, Taizhou City, Zhejiang Province, 317000, People's Republic of China ~72:
ZHANG, Xiaoyou~

2021/10330 ~ Complete ~54:ELEVATOR WITH BUILDING STRUCTURE OF EXTERNAL HOST ~71:Qingdao
Agricultural University, 700 Changcheng Road, Chengyang District, Qingdao, Shandong Province, 266109,
People's Republic of China ~72: SUN, Xiuli~

2021/10316 ~ Complete ~54:POLYVINYL ALCOHOL (PVA)/ATTAPULGITE (ATP) COMPOSITE MEMBRANE,
AND PREPARATION METHOD AND USE THEREOF ~71:Linhai Secondary Vocational and Technical School,
No.305 Dayang West Road, Linhai City, Taizhou City, Zhejiang Province, 317000, People's Republic of China
~72: ZHANG, Xiaoyou~

2021/10327 ~ Complete ~54:TRANSFORMANT R1-2HD OF GLYPHOSATE-RESISTANT UPLAND COTTON
AND IDENTIFICATION METHOD THEREOF ~71:INSTITUTE OF COTTON RESEARCH , SHANXI
AGRICULTURAL UNIVERSITY, 118 Yellow River Avenue, Yuncheng, Shanxi Province, People's Republic of
China ~72: LI, Huanli;MA, Yanbin;QIN, Xin;WANG, Xinsheng;WEN, Jin~

2021/10355 ~ Complete ~54:NEW BED MATERIAL FOR THERMOLYTIC FRAGMENTATION OF SUGARS
~71:HALDOR TOPSØE A/S, Haldor Topsøes Allé 1, 2800, Kgs. Lyngby, Denmark ~72:
CHRISTIAN MÅRUP OSMUNDSSEN;ESBEN TAARNING;MORTEN BOBERG LARSEN~ 33:DK ~31:PA
2019 00972 ~32:16/08/2019;33:DK ~31:PA 2019 00973 ~32:16/08/2019

2021/10413 ~ Complete ~54:COT MODULATORS AND METHODS OF USE THEREOF ~71:Gilead Sciences,
Inc., 333 Lakeside Drive, Foster City, United States of America ~72: CANALES, Eda Y.;DESAI, Manoj
C.;GORMAN, Eric;LI, Jiayao;SAITO, Roland D.;TAYLOR, James G.;WRIGHT, Nathan E.~ 33:US
~31:62/861,390 ~32:14/06/2019

2021/10300 ~ Provisional ~54:SINGLE USE SYRINGE ~71:UNIVERSAL BRAND GROUP (PTY) LIMITED, of:
133 Eloff Street, Selby, South Africa ~72: Ho Hiu Wai;Lui Wing Kit~

2021/10301 ~ Provisional ~54:AUXILIARY POWER SUPPLY AND GENERATION SYSTEM ~71:ZONBOR
TECHNOLOGIES (PTY) LTD, 1917 Loerie Lane, Eye of Africa Estate, South Africa ~72: BORRILL, Sean
David;ZONDI, Mondli Goodman~

2021/10312 ~ Complete ~54:FEED FOR IMPROVING LAMB STRESS RESISTANCE AND FOR PREGNANT
NANNY GOATS AND METHOD THEREOF ~71:Guizhou Institute of Animal Husbandry and Veterinary Science,
Laolipo, Xiaobi County, Nanming District, Guiyang City, Guizhou Province, 550000, People's Republic of China
~72: Chen Haolin;Han Yong;Li Dongguang;Mao Fengxian;Su Chaozhi;Wang Defeng;Yang Yang;Yuan Chao~

2021/10313 ~ Complete ~54:CORN HARVESTER AND METHOD FOR HARVESTING CORN BY UTILIZING SAME ~71:Qingdao Agricultural University, 700 Great Wall Road, Chengyang District, Qingdao, Shandong Province, 266109, People's Republic of China ~72: Jinhao Lan;Yuanxia Liu~

2021/10319 ~ Complete ~54:PREPARATION OF MODIFIED WATERBORNE POLYURETHANE HIGH-TEMPERATURE-RESISTANT COATING ~71:LINYI UNIVERSITY, West Side of North Section of Industrial Avenue, Lanshan District, Linyi City, Shandong Province, 276000, People's Republic of China ~72: HUANG, Chuanfeng;LI, Faqiang;MA, Dengxue;XIA, Qiyang~

2021/10321 ~ Complete ~54:LANDSCAPING CULTIVATION DEVICE ~71:Gansu Province Academy of Qilian Water Resource Conservation Forests Research Institute, No.3, East Ring Road, Ganzhou District, Zhangye City, Gansu, People's Republic of China ~72: Jiangan Zhu;Jun Wang;Xinping Cheng~

2021/10343 ~ Complete ~54:PROCESSING AND PURIFICATION OF CARBONACEOUS MATERIALS ~71:FRAUNHOFER-GESELLSCHAFT ZUR FÖRDERUNG DER ANGEWANDTEN FORSCHUNG E.V., Hansastraße 27c, Germany ~72: DITTRICH, Sebastian;KAISER, Christian;SEIFERT, Severin;THOME, Volker~ 33:DE ~31:10 2019 210 217.4 ~32:10/07/2019

2021/10350 ~ Complete ~54:2-PHENOXY-PYRIMIDINE DERIVATIVES AS HERBICIDAL COMPOUNDS ~71:Syngenta Crop Protection AG, Rosentalstrasse 67, BASEL 4058, SWITZERLAND, Switzerland ~72: INGRAM, Katharine Mary;TATE, Joseph Andrew;WAILES, Jeffrey Steven~ 33:GB ~31:1911429.7 ~32:09/08/2019

2021/10354 ~ Complete ~54:OPERATION SCHEDULING METHOD FOR MULTIPLE ENERGY SYSTEMS ~71:HOHAI UNIVERSITY, No.1, Xikang Road, Gulou District, Nanjing, Jiangsu, 210000, People's Republic of China;NARI TECHNOLOGY CO., LTD., Building 2, No.19 Chengxin Avenue, Jiangning District, Nanjing, Jiangsu, 211106, People's Republic of China ~72: GANG DU;GUOQIANG SUN;HAIXIANG ZANG;SHENG CHEN;SHIQIANG WU;WENXUE WANG;XIANLIANG TENG;ZHINONG WEI~ 33:CN ~31:201910451417.2 ~32:28/05/2019

2021/10361 ~ Complete ~54:PROCESS FOR RECOVERING AND REUSING DEPOLYMERIZATION CATALYST ~71:9449710 CANADA INC., 480 Fernand-Poitras Street, Terrebonne, Canada ~72: ESSADDAM, Fares;ESSADDAM, Hatem;ZARROUGUI, Ramzi~ 33:US ~31:62/821,264 ~32:20/03/2019

2021/10314 ~ Complete ~54:CULTURE DEVICE FOR DYNAMIC ENVIRONMENTS FOR MICROBIAL GROWTH ~71:Ezhou Institute of Industrial Technology, Huazhong University of Science and Technology, No.1, Fenghuang Road, Wutong Lake New District, Ezhou, Hubei, 436044, People's Republic of China;Huazhong University of Science and Technology, No.1037 Luoyu Road, Hongshan District, Wuhan, Hubei, 430074, People's Republic of China ~72: CHEN, Kun;SHI, Zhijun;YANG, Guang~

2021/10414 ~ Complete ~54:FLT3L-FC FUSION PROTEINS AND METHODS OF USE ~71:Gilead Sciences, Inc., 333 Lakeside Drive, Foster City, United States of America ~72: AMBROGELLY, Alexandre;BACA, Manuel;CARR, Brian A.;CHU, Hon Man Hamlet;HUNG, Magdeleine S.;KANWAR, Manu;KUHNE, Michelle R.;REHDER, Douglas S.;SCHENAUER, Matthew R.;WILSON, Nicholas S.~ 33:US ~31:62/866,584 ~32:25/06/2019

2021/10322 ~ Complete ~54:ELECTRONIC COMMUNICATION DEVICE FOR ENGINEERING ~71:TAIYUAN INSTITUTE OF TECHNOLOGY, No. 31, Xinlan Road, Jiancaoping District, Taiyuan City, Shanxi Province, 030008, People's Republic of China ~72: GUO, Caiping;ZHANG, Linhua~

2021/10325 ~ Complete ~54:EXPERIMENTAL DEVICE FOR DIFFUSION KINETICS OF ULTRAFILTRATION MEMBRANE PORE-FORMING AGENT ~71:Qingdao Agriculture University, No.700 Changcheng Road, Chengyang District, Qingdao City, Shandong Province, 266109, People's Republic of China ~72: Qi Kaixia;Shi Yanxi;Tian Xia;Zheng Qingzhu~

2021/10332 ~ Complete ~54:COMPOSITION FOR TREATING CORONAVIRUS INFECTION ~71:BEIJING HOSPITAL OF TRADITIONAL CHINESE MEDICINE, 23 Meishuguan Backstreet, People's Republic of China ~72: FAN, Huahao;GUO, Yuhong;LIU, Qingquan;TONG, Yigang;XU, Xiaolong~

2021/10333 ~ Complete ~54:CLINICAL EFFICACY OF MEDHYA RASAYANA COMBINATION IN MILD TO MODERATE I.Q. DEFICIT CHILDREN ~71:Dr. Atul Babu Varshney, Department of Rog Nidan, S.K.D. Govt Ayurveda College, Muzaffarnagar, Uttar Pradesh, 251001, India;Dr. Awanish Kumar, Department of Biotechnology, National Institute of Technology, Raipur, Chhattisgarh, 492010, India;Dr. Chandradeo Narayan, Department of Medical Microbiology, Postgraduate Institute of Medical Education and Research, Chandigarh, 160012, India;Dr. Gyanendra Singh Baghel, Department of Kaumarbhritya, Shri NPA Govt Ayurveda College, Raipur, Chhattisgarh, 492001, India;Dr. Prashant Kumar Gupta, Department of Kaumarbhritya, All India Institute of Ayurveda, Saritavihar, New Delhi, 110076, India;Dr. Rashmi Sahu, Department of Kaumarbhritya, Shri NPA Govt Ayurveda College, Raipur, Chhattisgarh, 492001, India;Dr. Trapti Agrawal, Department of Prasuti Tantra and Stri Roga, Chaudhary Brahm Prakash Ayurveda Charak Sansthan, New Delhi, 110073, India ~72: Dr. Atul Babu Varshney;Dr. Awanish Kumar;Dr. Chandradeo Narayan;Dr. Gyanendra Singh Baghel;Dr. Prashant Kumar Gupta;Dr. Rashmi Sahu;Dr. Trapti Agrawal~

2021/10339 ~ Complete ~54:PRE-MOLTEN SLAG-MAGNESIUM PARTICLE CORED WIRE AND APPLICATION AND PRODUCTION PROCESS OF STEEL FOR HIGH HEAT INPUT WELDING ~71:NORTH CHINA UNIVERSITY OF SCIENCE AND TECHNOLOGY, 21 Bohai Road, Caofeidian Xincheng, Tangshan, People's Republic of China ~72: WANG, Shuoming;WANG, Yan;ZHU, Liguang~

2021/10342 ~ Complete ~54:PROSTATE SPECIFIC MEMBRANE ANTIGEN (PSMA) LIGANDS AND USES THEREOF ~71:ADVANCED ACCELERATOR APPLICATIONS (ITALY) SRL, Via dell'Industria, Prima Traversa, Italy;THE JOHNS HOPKINS UNIVERSITY, 3400 North Charles Street, BALTIMORE, Maryland, United States of America ~72: CHICCO, Daniela;FUGAZZA, Lorenza;MARIANI, Maurizio, F.;POMPER, Martin, Gilbert;RAY, Sangeeta~ 33:EP ~31:19184015.6 ~32:02/07/2019

2021/10345 ~ Complete ~54:INSECT-BASED BIOWASTE PROCESSING APPARATUS ~71:YB INSECT FARMING LTD, 6090500 Kibutz Be'er Yitzhak, Israel ~72: BAR, Yaniv~ 33:IL ~31:267413 ~32:17/06/2019

2021/10303 ~ Complete ~54:TREATMENT METHOD FOR IMPROVING CORN SEED VIGOR UNDER LOW TEMPERATURE STRESS ~71:Qingdao Agricultural University, 700 Great Wall Road, Chengyang District, Qingdao, Shandong Province, 266109, People's Republic of China ~72: Jinhao Lan;Yuanxia Liu~

2021/10352 ~ Complete ~54:NEW HETEROCYCLIC COMPOUNDS ~71:F. Hoffmann-La Roche AG, Grenzacherstrasse 124, BASEL 4070, SWITZERLAND, Switzerland ~72: BIEDERMANN, Maurice;GRETHER, Uwe;HORNSPERGER, Benoit;KOSAR, Miroslav;KROLL, Carsten;KUHN, Bernd;O'HARA, Fionn;REGGIANI, Flore;RICHTER, Hans~ 33:EP ~31:19185088.2 ~32:09/07/2019

2021/10358 ~ Complete ~54:METHOD FOR PREPARATION OF BIONIC CERAMIC TOOL AND THE PREPARED BIONIC CERAMIC TOOL THEREOF ~71:SHANDONG UNIVERSITY, No. 17923, Jingshi Road, Lixia District, Jinan, People's Republic of China ~72: HUANG, Chuanzhen;LI, Shijie;LIU, Hanlian;WANG, Jun;YAO, Peng;ZHU, Hongtao;ZOU, Bin~ 33:CN ~31:202011417309.2 ~32:07/12/2020

2021/10341 ~ Complete ~54:EMULSION WITH ALPHA-HYDROXY ACID, UV FILTER AND POLYMER
~71:L'OREAL, 14, rue Royale, France ~72: ROLFES, Heidi~

2021/10346 ~ Complete ~54:METHOD FOR BREEDING MONOCHASMA SHEARERI ~71:YICHUN BINGCHEN
AGRICULTURAL SCIENCE AND TECHNOLOGY DEVELOPMENT CO., LTD., Baojia Group, Shibe Village,
Wojiang Town, Yuanzhou District, Yichun, Jiangxi, 336027, People's Republic of China ~72: LI, Weiquan~ 33:CN
~31:202110359924.0 ~32:02/04/2021

2021/10351 ~ Complete ~54:METHOD AND SYSTEM FOR CODING METADATA IN AUDIO STREAMS AND
FOR EFFICIENT BITRATE ALLOCATION TO AUDIO STREAMS CODING ~71:VoiceAge Corporation, 750
Lucerne Road, Suite 250, TOWN OF MOUNT ROYAL H3R 2H6, QUÉBEC, CANADA, Canada ~72:
EKSLER, Vaclav~ 33:US ~31:62/871,253 ~32:08/07/2019

2021/10356 ~ Complete ~54:STABILIZED MUTANTS OF QUORUM QUENCHING LACTONASE AND USE
THEREOF IN TREATMENT OF PATHOGENS ~71:MIGAL GALILEE RESEARCH INSTITUTE LTD., P.O. Box
831, Kiryat Shmona, 1101602, Israel ~72: DAVID GUREVICH;LIVNAT AFRIAT-JURNOU;MAAYAN EROV;MERY
DAFNY YELIN~ 33:US ~31:62/862,348 ~32:17/06/2019

2021/10306 ~ Complete ~54:ANTI-POLLUTION CONSUMABLE AND METHOD FOR CLUSTERED
REGULARLY INTERSPACED SHORT PALINDROMIC REPEATS (CRISPR) MOLECULAR DIAGNOSIS USING
SAME ~71:Xi'an Jiaotong University, No. 28, Xianning West Road, Xi'an City, Shaanxi Province , 710000,
People's Republic of China ~72: HU, Fei;LIU, Yanfei;PENG, Niancai~ 33:CN ~31:202110198318.5
~32:22/02/2021

2021/10357 ~ Complete ~54:INHIBITOR CONTAINING BICYCLIC DERIVATIVE, PREPARATION METHOD
THEREFOR AND USE THEREOF ~71:JIANGSU HANSOH PHARMACEUTICAL GROUP CO., LTD., Economic
and Technological Development Zone, Lianyungang, Jiangsu, 222069, People's Republic of China;SHANGHAI
HANSOH BIOMEDICAL CO., LTD., Building 2, No.3728 Jinke Road, Zhangjiang, Hi-Tech Park, Shanghai,
201203, People's Republic of China ~72: JUN WANG;RUDI BAO;YIDONG SU~ 33:CN ~31:201910400013.0
~32:14/05/2019;33:CN ~31:201910615987.0 ~32:09/07/2019;33:CN ~31:201910816375.8
~32:30/08/2019;33:CN ~31:201910895078.7 ~32:20/09/2019;33:CN ~31:202010177893.2 ~32:13/03/2020

- APPLIED ON 2021/12/14 -

2021/10366 ~ Complete ~54:SEAWEED EXTRACTION PROCESS ~71:METSON MANUFACTURING CC, Unit
2, Rand Ridge Office Park, Ateljee Street,, South Africa ~72: MASON, Thomas Edgecombe~ 33:ZA
~31:2020/07912 ~32:18/12/2020

2021/10370 ~ Complete ~54:SHIPBOARD MONITORING EQUIPMENT FOR DETECTING CO2 PARTIAL
PRESSURE OF SURFACE WATER AND RELATED ENVIRONMENTAL PARAMETERS ~71:Guizhou Minzu
University, Dong Jia Yan, Huaxi District, Guiyang City, Guizhou Province, 550025, People's Republic of China
~72: Li Liangliang;Liu Bangyu;Liu Juncong;Liu Taoze;Xu Qingya;Zhang Shuyi~

2021/10382 ~ Complete ~54:MULTI-SOLID WASTE ACTIVATED CONCRETE WITH HIGH-SILICON IRON ORE
TAILINGS AND PREPARATION METHOD THEREOF ~71:Northeastern University, NO. 3-11, Wenhua Road,
Heping District, Shenyang, Liaoning Province, 110819, People's Republic of China ~72: GU, Xiaowei;LI,
Xiaohui;WANG, Hao;ZHANG, Weifeng~

2021/10389 ~ Complete ~54:PREPARING METHOD FOR HEALTH BEER WITH POLYGONATUM SIBIRICUM
~71:Anhui Polytechnic University, Beijing Middle Road, Jiujiang District, Wuhu City, Anhui, 241000, People's
Republic of China ~72: Guoqiang Zhang;Wenhua Xue~

2021/10401 ~ Complete ~54:ANTISTATIC POLYURETHANE SPONGE AND PREPARATION METHOD AND APPLICATION THEREOF ~71:ZHANG, Shihu, Xinhai Industrial Park, Wudi County, Binzhou City, People's Republic of China ~72: HAO, Dekai;LI, Shisheng;WANG, Chao;WANG, Zhenqiang;YANG, Huatong;ZHANG, Shihu;ZHANG, Xiaodi~

2021/10406 ~ Complete ~54:A TWIN MODE CEILING FAN ~71:VISHWAKARMA INSTITUTE OF TECHNOLOGY, 666, UPPER MARKET RD, UPPER INDIRA NAGAR, BIBWEWADI, PUNE, India ~72: CHAUDHARI, Mangesh;DEO, Rugved;DEOKULE, Vedant;DESHMUKH, Shritej;DESHMUKH, Vishwajeet;DHEKANE, Chinmay;DONGRE, Ganesh;SHIRBAVIKAR, Ketki~

2021/10417 ~ Complete ~54:SEROTONERGIC AGENT AND 5-HT1A-RECEPTOR ANTAGONIST ~71:ATLAS PHARMACEUTICALS BV, 107, De Linde B-8310, BRUGGE, Belgium ~72: OLIVIER, Berend;WALDINGER, Marcel, David~ 33:NL ~31:2023581 ~32:29/07/2019

2021/10430 ~ Complete ~54:BIODEGRADABLE, COMPOSTABLE MOLDING MASS COMPOSITIONS, MOLDED ARTICLES AND METHODS OF MANUFACTURE ~71:EPS Global Marketing Ltd., 1 St Floor, Hastings House, Balmoral Gap, HASTINGS BB15156667, CHRIST CHURCH, BARBADOS, Barbados ~72: TIEFENBACHER, Karl F.~ 33:US ~31:62/864,100 ~32:20/06/2019

2021/10436 ~ Complete ~54:MULTISPECIFIC HEAVY CHAIN ANTIBODIES BINDING TO CD22 AND CD3 ~71:TENEOBIO, INC., 7999 Gateway Blvd., Suite 320, Newark, California, 94560, United States of America ~72: HARSHAD UGAMRAJ;KIRTHANA PRABHAKAR;NATHAN TRINKLEIN;SUHASINI IYER;UDAYA RANGASWAMY~ 33:US ~31:62/861,708 ~32:14/06/2019

2021/10381 ~ Complete ~54:METHOD AND SYSTEM FOR DYNAMICALLY ESTIMATING SOC OF LITHIUM-ION POWER BATTERY, EQUIPMENT, AND MEDIUM ~71:Guangdong Polytechnic Normal University, No. 293, West Zhongshan Avenue, Tianhe District, Guangzhou, Guangdong, 510665, People's Republic of China;Guangzhou Yiwei Electromotion Automobile Co.,Ltd., Room 304, 3rd Floor, Building 1, No. 47, Zhong'er Road Section, Shiguang Road, Zhongcun Street, Panyu District, Guangzhou, Guangdong, 511436, People's Republic of China ~72: LI, Jing;MO, Zhidong;OUYANG, Jian;XIANG, Dan~ 33:CN ~31:202110307431.2 ~32:23/03/2021

2021/10386 ~ Complete ~54:AN ACCOUNTING DATA PROCESSING METHOD BASED ON INTERNATIONAL ACCOUNTING STANDARDS ~71:College of Applied Science Jiangxi University of Science and Technology, No. 156, Kejia Avenue, Ganzhou City, Jiangxi Province, People's Republic of China;Jiangxi College of Applied Technology, No.25, Hongqi Avenue, Ganzhou City, Jiangxi Province, 341000, People's Republic of China ~72: CHEN, Xuming;LAI, Yan;LI, Liangxiao;ZHU, Jianfa~ 33:CN ~31:202111291414.0 ~32:01/11/2021

2021/10394 ~ Complete ~54:QUICK COUPLING WITH IMPROVED VISIBILITY ~71:MANITOU ITALIA S.R.L., via Cristoforo Colombo, 2 Località Cavazzona, Castelfranco Emilia (Modena), 41013, Italy ~72: MARCO IOTTI~ 33:IT ~31:102020000031643 ~32:21/12/2020

2021/10416 ~ Complete ~54:SYSTEM, METHOD, AND COMPUTER PROGRAM FOR ENABLING OPERATION BASED ON USER AUTHORIZATION ~71:DUELIGHT LLC, 1057 Rockefeller Drive, Sunnyvale, California, United States of America ~72: KINDLE, Brian, J.;RIVARD, William, Guie~ 33:US ~31:16/460,807 ~32:02/07/2019

2021/10421 ~ Complete ~54:FILTER ELEMENT HAVING POTTED GASKET END CAP ASSEMBLY ~71:CATERPILLAR INC., 100 NE Adams Street, Peoria, United States of America ~72: IMMEL, Jon T.;MOREHOUSE, Darrell L., III;RIES, Jeffrey R.;RODRIGUEZ, Javier A.~ 33:US ~31:16/443,239 ~32:17/06/2019

2021/10422 ~ Complete ~54:HETEROCYCLIC COMPOUNDS, PREPARATION METHODS AND USES THEREOF ~71:INVENTISBIO CO., LTD., 1000 ZHANGHENG ROAD, BUILDING #63, PUDONG, SHANGHAI 201203, CHINA, People's Republic of China ~72: DAI, Xing;HAN, Zixing;JIANG, Yueheng;LIU, Yanqin;NIU, Haotao;SHI, Zhe;TAO, Liangshan;WANG, Yaolin;WANG, Zhenwu;WENG, Jifang~ 33:CN ~31:PCT/CN2019/087772 ~32:21/05/2019;33:CN ~31:PCT/CN2019/095947 ~32:15/07/2019;33:CN ~31:PCT/CN2019/123223 ~32:05/12/2019

2021/10434 ~ Complete ~54:AN AUTOMOTIVE HYDRAULIC SHOCK ABSORBER ~71:EVCO PRO 2018 LTD, 45 Hakadar Street, Netanya, 4201226, Israel ~72: EVYATAR COHEN~ 33:IL ~31:266688 ~32:16/05/2019

2021/10438 ~ Complete ~54:ELONGATE WAVE ENERGY GENERATION DEVICES AND METHODS OF USING THE SAME ~71:VITALNRG, INC., 12526 High Bluff Drive, Suite 300, San Diego, California, 92130, United States of America ~72: ARTHUR Q MCNABB;ELDIN MILLER-STEAD;KEVIN BARRETT~ 33:US ~31:62/849,074 ~32:16/05/2019

2021/10439 ~ Complete ~54:A CABLE MANAGEMENT SYSTEM AND ASSEMBLY ~71:SMART LOCKING LOGIC (PTY) LTD, 87 Regency Drive, Route 21 Corporate Park, Irene, CENTURION 0157, Gauteng, SOUTH AFRICA, South Africa ~72: OLIVIER, Johan;VAN ASWEGEN, Marlene~ 33:ZA ~31:2019/05179 ~32:06/08/2019

2021/10364 ~ Provisional ~54:SYSTEM AND METHOD TO MANAGE NOTIFICATIONS AND ACTIONS BASED ON A SUBSCRIBER'S VITAL STATUS ~71:LEGACYVOICE (PTY) LTD, 9 Whitehead Street, Witfield, South Africa ~72: MACAULAY, Paul Joseph~

2021/10372 ~ Complete ~54:CULTURE MEDIUM FOR SEPARATION, PURIFICATION AND AMPLIFICATION CULTURE OF PLATEAU MICROALGAE ~71:Tibet University, 10 East Zangda Road, Chengguan District, Lhasa City, Tibet Autonomous Region, 850000, People's Republic of China ~72: Du Mei;Li Jing;Phudor;Wang Jinhui;Yang Jun~

2021/10379 ~ Complete ~54:DATA SHARING METHOD AND SYSTEM BASED ON MULTI-PARTY FULLY HOMOMORPHIC ENCRYPTION ~71:Zhejiang Wanli University, No. 8, Qianhu South Road, Yinzhou District, Ningbo, Zhejiang, 315100, People's Republic of China ~72: Xinxia SONG;Zhigang CHEN~ 33:CN ~31:202110254124.2 ~32:09/03/2021

2021/10410 ~ Complete ~54:A WIRELESS SOLAR POWERED CHARGER ~71:VISHWAKARMA INSTITUTE OF TECHNOLOGY, 666, UPPER MARKET RD, UPPER INDIRA NAGAR, BIBWEWADI, PUNE, India ~72: DOMBALE, Anita;MAHAJAN, C. M.;SHILASKAR, Swati;SONAWANE, Shivam;SONAWANE, Swami;SONDUR, Mrunal;SONKUSALE, Vishal;SONWANE, Aditya~

2021/10363 ~ Provisional ~54:METHOD AND MEANS FOR PROCESSING BEVERAGES ~71:STONE TREE INTERNATIONAL LIMITED, 71-75 Shelton Street, Convent Garden, United Kingdom ~72: Paul Bertus HAYES;Timothy John BOND~

2021/10411 ~ Complete ~54:A SOLAR TRACKER SYSTEM ~71:VISHWAKARMA INSTITUTE OF TECHNOLOGY, 666, UPPER MARKET RD, UPPER INDIRA NAGAR, BIBWEWADI, PUNE, India ~72: KADAM, Ritesh;KADAM, Sailee;KALASE, Atharva;KAMBLE, Ketaki;KANADE, Dnyaneshwar;KHARABE, Maithili;KULKARNI, M. M.~

2021/10384 ~ Complete ~54:BUTTON OF A SMALL ARM AND SMALL ARM WITH SUCH A BUTTON ~71:BLASER GROUP GMBH, Ziegelstadel 1, Germany ~72: Henry WALTER;Jürgen ROTHÄRMEL;Martin VETTER;Paul SEIDL;Peter WIEDEMANN;Robin MARX;Thomas MACHER~ 33:DE ~31:10 2020 133 914.3 ~32:17/12/2020

2021/10395 ~ Complete ~54:TELEHANDLER WITH FACILITATED ALIGNMENT ADJUSTMENT ~71:MANITOU ITALIA S.R.L., via Cristoforo Colombo, 2 Località Cavazzona, Castelfranco Emilia (Modena), 41013, Italy ~72: MARCO IOTTI~ 33:IT ~31:102020000032828 ~32:30/12/2020

2021/10428 ~ Complete ~54:HETEROCYCLIC MONOACYLGLYCEROL LIPASE (MAGL) INHIBITORS ~71:F. Hoffmann-La Roche AG, Grenzacherstrasse 124, BASEL 4070, SWITZERLAND, Switzerland ~72: BENZ, Joerg;GRETHER, Uwe;HORNSPERGER, Benoit;KROLL, Carsten;KUHN, Bernd;O`HARA, Fionn;RICHTER, Hans~ 33:EP ~31:19184218.6 ~32:03/07/2019

2021/10405 ~ Complete ~54:A SELF-DEFENSE AND LOCATION TRACKING DEVICE FOR WOMAN SAFETY ~71:VISHWAKARMA INSTITUTE OF TECHNOLOGY, 666, UPPER MARKET RD, UPPER INDIRA NAGAR, BIBWEWADI, PUNE, India ~72: BHANUSE, Vijaykumar;JAISWAL, Ashish;JOSHI, Dhanajay;KIWANDE, Punit;MANE, Vijay;SONDKAR, Shipla~

2021/10368 ~ Complete ~54:METHOD FOR DETERMINING 14 PRIMARY AND SECONDARY COMPONENTS IN CHROMIUM ORE BY FUSION SAMPLE PREPARATION-X-RAY FLUORESCENCE SPECTROMETRY ~71:Zhanjiang Customs Technology Center, 47 Renmin Avenue Middle, Zhanjiang City, Guangdong, 524022, People's Republic of China ~72: LI, Jun;LU, Yunyu;TIAN, Qiong;YANG, Shujie;YE, Jinyan~

2021/10378 ~ Complete ~54:COMPLEX HEAT STABILIZER CONTAINING ORGANIC TIN, CALCIUM-ZINC AND TITANIUM AND USE THEREOF ~71:Anhui University Of Science and Technology, No. 168, Taifeng Street, Huainan City, Anhui Province, 232001, People's Republic of China ~72: CHEN, Yan;LI, Kang;LU, Yiheng;MA, Longjuan;WANG, Bing;XUE, Mengyao~

2021/10432 ~ Complete ~54:RADIO FREQUENCY IDENTIFICATION SHEET MATERIAL (VARIATIONS) ~71:DEMIDOV, Ivan Sergeevich, k. 921, kv. 186, Moscow, Zelenograd, 124575, Russian Federation ~72: DEMIDOV, Ivan Sergeevich~ 33:RU ~31:2019118539 ~32:14/06/2019

2021/10390 ~ Complete ~54:DUAL-CHANNEL AUTOMATIC INJECTION DEVICE ~71:Nanhua Hospital Affiliated to University of South China, No. 336, Dongfeng South Road, Hengyang , Hunan, People's Republic of China ~72: Guang OUYANG;Haixia ZHANG;Jianshu LI;Jiemei TANG;Lan LI;Yaqin ZHOU;Yusheng LI~ 33:CN ~31:202110925950.5 ~32:12/08/2021

2021/10412 ~ Complete ~54:A MILEAGE CALCULATOR FOR CARBURETED VEHICLES ~71:VISHWAKARMA INSTITUTE OF TECHNOLOGY, 666, UPPER MARKET RD, UPPER INDIRA NAGAR, BIBWEWADI, PUNE, India ~72: KANADE, Dnyaneshwar;NAWALE, Harshad;PAITHANPAGARE, Shraddha;PATANKAR, Maitreya;PATHAK, Gaurav;PATIL, Kaustubh;SHINDE, Sandeep~

2021/10425 ~ Complete ~54:CONTROLLING PLANT FLOWERING ~71:Commonwealth Scientific and Industrial Research Organisation, Clunies Ross St, Acton, AUSTRALIAN CAPITAL TERRITORY 2601, AUSTRALIA, Australia ~72: CORENA, Patricia;MACKENZIE, Donald;SMITH, Matthew;SREEKANTAN, Lekha;THOMAS, Mark~ 33:AU ~31:2019902304 ~32:28/06/2019;33:AU ~31:2019902483 ~32:12/07/2019

2021/10375 ~ Complete ~54:THINNING TREE DETERMINATION METHOD OF SECONDARY FOREST TENDING AND MANAGEMENT DECISION ~71:Institute of Forest Resource Information Techniques, Chinese Academy of Forestry, No. 2, Dongxiaofu, Xiangshan Road, Haidian District, Beijing, 100091, People's Republic of China ~72: PANG, Lifeng~

2021/10403 ~ Complete ~54:LABORATORY INSPECTION AND TESTING SYSTEM ~71:SHANGHAI MUNICIPAL CENTER FOR DISEASE CONTROL AND PREVENTION, 1380 Zhongshan West Road, Changning District, People's Republic of China ~72: CAI, Renzhi;DAO, Li;FU, Chen;HUANG, Jiaqi;LIN, Weixiao;LIU,

Xinghang;MAO, Dan;QIAN, Chensi;WANG, Senran;XIA, Han;XIA, Tian;XIAO, Ping;XU, Jin;YANG, Mei;YU, Huiting;ZHANG, Cheng;ZU, Ping~

2021/10424 ~ Complete ~54:SATELLITE COMMUNICATION SYSTEM ~71:ST ENGINEERING IDIRECT (EUROPE) CY NV, LAARSTRAAT 5, 9100 SINT-NIKLAAS, BELGIUM, Belgium ~72: DELBEKE, Philippe;ROLLE, Alain~ 33:EP ~31:19188950.0 ~32:29/07/2019

2021/10429 ~ Complete ~54:POROUS ELEMENT FOR A VAPOUR PROVISION SYSTEM ~71:Nicoventures Trading Limited, Globe House, 1 Water Street, LONDON WC2R 3LA, UNITED KINGDOM, United Kingdom ~72: BALAN, Catalin Mihai;MOLONEY, Patrick~ 33:GB ~31:1910509.7 ~32:23/07/2019

2021/10369 ~ Complete ~54:DISINFECTANT MAKING DEVICE CAPABLE OF AUTOMATICALLY BLENDING POWDER AND LIQUID ~71:Ningbo University of Technology, No. 201, Fenghua Road, Jiangbei District, Ningbo City, Zhejiang Province, 315000, People's Republic of China ~72: Chen Tuoxi;Dai Yuxuan;Duan Shucheng;Ge Chenxin;Lin Jiacheng;Lu Ding;Qiu Xian;Shen Yanyan;Wang Ruiqi;Wu Hung-Chun;Zhou Ruobing~

2021/10373 ~ Complete ~54:OFFSET-FREE NONLINEAR PREDICTIVE CONTROL METHOD OF SHIP DYNAMIC POSITIONING SYSTEM BASED ON DISTURBANCE OBSERVER ~71:Qingdao University of Science and Technology, No.99 Songling Road, Laoshan District, Qingdao City, Shandong Province, 266061, People's Republic of China ~72: Deng Fang;He Yan;Wang Longjin;Yang Hualin~

2021/10376 ~ Complete ~54:PRACTICAL ATMOSPHERIC PARTICULATE SAMPLING CUTTER SYSTEM AND OPERATION METHOD THEREOF ~71:Tianjin Research Institute for Water Transport Engineering, Ministry of Transport, NO. 2618 Xin'gang 2nd Road, Binhai New District, Tianjin City, 300450, People's Republic of China ~72: Bai Lu;Chen Yaohongling;Jing Liang;Li Jinzhao;Liu Xiaomeng;Wang Qingbiao;Wang Yishen;Xue Yonghua;Zhang Binbin;Zhang Chunyi~

2021/10380 ~ Complete ~54:MICROORGANISM PREPARATION AND ITS APPLICATION FOR PROMOTING THE YIELD INCREASE AND QUALITY IMPROVEMENT OF GRAIN CROPS ~71:Henan Academy of Agricultural Sciences Institute of Grain Crops, No.116, Huayuan Road, Jinshui District, Zhengzhou City, Henan Province, 450000, People's Republic of China;Henan Academy of Agricultural Sciences Xiaomai Institute, No.116, Huayuan Road, Jinshui District, Zhengzhou City, Henan Province, 450000, People's Republic of China ~72: CAO, Yanyong;HU, Xiuli;JIN, Haiyang;LI, Ang;LI, Chuan;LI, Chunmiao;LI, Fuli;LI, Jiangwu;LI, Xiangdong;MA, Junfeng;MU, Xinyuan;QI, Hongzhi;WANG, Shuaili;WEN, Tao;WU, Lianhai;XU, Jiamin;YANG, Jinliang;ZHANG, Deqi;ZHANG, Gaiping;ZHAO, Xia;ZHOU, Zhe~ 33:CN ~31:202111369336.1 ~32:18/11/2021

2021/10385 ~ Complete ~54:APPARATUS FOR CONVEYING A MEDIUM, PREFERABLY MILK ~71:BARTEC BENKE GMBH, Schulstrasse 30, Germany ~72: Dieter LERACH;Dipl.-Ing. Alois SÜSS;Gernard Alois KAPPL;Martin NAGL~ 33:DE ~31:10 2020 007 971.7 ~32:23/12/2020

2021/10391 ~ Complete ~54:AUTOMATIC DRYING AND LAMINATING DEVICE FOR CELL AND BACTERIAL SPECIMENS ~71:Hunan-tech New Medical Systems CO.,Ltd., 2 nd Building, South District of High Tech Zone, Huaihua, Hunan, People's Republic of China ~72: Jun PENG;Qi ZHANG;Xunkai PENG;Zhenhua LI~ 33:CN ~31:202111327445.7 ~32:10/11/2021

2021/10392 ~ Complete ~54:TERMINAL CLUSTER INDOOR POSITIONING METHOD AND POSITIONING SYSTEM BASED ON TIME-FREQUENCY ANALYSIS ~71:XIJING UNIVERSITY, NO.1, XIJING ROAD, People's Republic of China ~72: LEI, XIAOLONG;MA, XIAOPAN;SHEN, ZHOU;WANG, YANWEN;WANG, YU;ZHAO, PEIYAN;ZHOU, FENG~ 33:CN ~31:202111235531.5 ~32:20/10/2021

2021/10393 ~ Complete ~54:CHIMERIC POLYPEPTIDE ASSEMBLY AND METHODS OF MAKING AND USING THE SAME ~71:AMUNIX PHARMACEUTICALS, INC., 500 Ellis Street, Mountain View, California, 94043-2206, United States of America ~72: BEE-CHENG SIM;CHIA-WEI WANG;DESIREE THAYER;FAN YANG;VOLKER SCHELLENBERGER~ 33:US ~31:62/211,532 ~32:28/08/2015;33:US ~31:62/263,319 ~32:04/12/2015;33:US ~31:62/278,755 ~32:14/01/2016;33:US ~31:62/338,285 ~32:18/05/2016;33:US ~31:62/363,046 ~32:15/07/2016;33:US ~31:62/379,673 ~32:25/08/2016

2021/10400 ~ Complete ~54:GORDONIA BACTERIUM PRODUCING LONG-CARBON-CHAIN MYCOLIC ACID AND APPLICATION THEREOF ~71:SHANDONG UNIVERSITY OF SCIENCE AND TECHNOLOGY, No. 579 Qianwangang Road, Huangdao District, Qingdao, People's Republic of China ~72: CHEN, Shuiquan;LI, Lin;SHAN, Qinglin;SUN, Shuo;WANG, Dong;ZANG, Meng~ 33:CN ~31:202110599142.4 ~32:31/05/2021

2021/10404 ~ Complete ~54:METHOD FOR SUPPORTING EXTREMELY BROKEN AND SUPER-LARGE CROSS-SECTION ROADWAY IN HIGH ALTITUDE PERMAFROST LAYER ~71:TIBET JULONG COPPER CO., LTD., Zizirong Village, Jiama Township, Maizhokunggar County, Lhasa City, People's Republic of China;UNIVERSITY OF SCIENCE AND TECHNOLOGY BEIJING, No. 30 Xueyuan Road, Haidian District, People's Republic of China ~72: CAO, Shuai;CHEN, Caixian;CHEN, Lei;HAN, Chengbin;HUANG, Zhiqiang;LI, Jiajian;LIU, Xianpei;QIN, Shiwen;SHA, Xianwu;WANG, Yongwei;WANG, Zhiyong;WU, Jianhui~ 33:CN ~31:202111445460.1 ~32:30/11/2021

2021/10408 ~ Complete ~54:A SUN TRACKING SOLAR SYSTEM ~71:VISHWAKARMA INSTITUTE OF TECHNOLOGY, 666, UPPER MARKET RD, UPPER INDIRA NAGAR, BIBWEWADI, PUNE, India ~72: KHANDEKAR, Aryan;KHANDEKAR, Tejas;KHANDELWAL, Harshada;KHANDVIKAR, Tushar;KHAPLE, Pavan;KHAPRE, Kinisha;MAHAJAN, C. M.;RAIKWAR, Rajesh~

2021/10409 ~ Complete ~54:A SMART IRRIGATION SYSTEM ~71:VISHWAKARMA INSTITUTE OF TECHNOLOGY, 666, UPPER MARKET RD, UPPER INDIRA NAGAR, BIBWEWADI, PUNE, People's Republic of China ~72: GHADKAR, P. P.;JALNEKAR, Rajesh;NAVGHARE, Nilesh;PARDHI, Vinay;PAREEK, Vyankatesh;PARGAONKAR, Jay;PARHATEY, Ayush;PARKHE, Anish~

2021/10415 ~ Complete ~54:CONTROL CONFIGURATION FOR A PLURALITY OF ENDPOINT DEVICES ~71:SNAPT, INC, 333 West San Carlos Street, San Jose, United States of America ~72: BLAKEY, David Michael;TRENT, Mark Graeme;VAN DER SCHYFF, Willem Nicolaas~ 33:US ~31:62/865,091 ~32:21/06/2019

2021/10419 ~ Complete ~54:CLIMATE SYSTEM ~71:BÜHLER INSECT TECHNOLOGY SOLUTIONS AG, Gupfenstrasse 5, Switzerland ~72: AARTS, Kees Wilhelmus Petrus;DE GELDER, Vincent;JANSEN, Jaco;JANSEN, Maurits Petrus Maria;SCHMITT, Eric Holland~ 33:EP ~31:19 17 7861.2 ~32:03/06/2019

2021/10426 ~ Complete ~54:TARGETING SEQUENCES FOR PAENIBACILLUS-BASED ENDOSPORE DISPLAY PLATFORM ~71:Bayer CropScience LP, 800 North Lindbergh Boulevard, ST. LOUIS 63167, MO, USA, United States of America ~72: CURTIS, Damian;TIPTON, Kyle~ 33:US ~31:62/848,533 ~32:15/05/2019

2021/10435 ~ Complete ~54:DEVICE FOR PIVOTABLY CONNECTING AN AIR-GUIDING ELEMENT TO A VEHICLE ~71:MAN TRUCK & BUS SE, Dachauer Straße 667, 80995, München, Germany ~72: ANDREAS SCHMITZ~ 33:DE ~31:10 2019 004 968.3 ~32:16/07/2019

2021/10367 ~ Complete ~54:DRILLING FLUID NANO-BLOCKING AGENT, PREPARATION METHOD THEREOF, AND WATER-BASED DRILLING FLUID CONTAINING SAME ~71:Zhongman Petroleum and Natural Gas Group Corp., Ltd., No. 3998, Jiangshan Road, Nanhui New Town, Lingang New Area, Shanghai Pilot Free Trade Zone, 201306, People's Republic of China ~72: LU, Xinzhou~

2021/10371 ~ Complete ~54:SOIL CLEANING DEVICE FOR POTATOES ~71:Hainan University, Hainan University, No. 58 Renmin Avenue, Meilan District, Haikou City, Hainan Province, 570228, People's Republic of China ~72: Qing Yiren;Xing Jiejie;Yang Ranbing;Yang Songmei;Zha Xiantao~

2021/10388 ~ Complete ~54:A NANO MATERIAL FOR SEWAGE TREATMENT AND A PREPARATION METHOD THEREOF ~71:Jiangsu Lianyanggang Environmental Protection Technology Co., Ltd., No.528, Floor 5, Block C, Yongjia New Town Central Plaza, No.8 Kunlun Avenue, Yunlong District, Xuzhou City, Jiangsu Province, People's Republic of China;Xuzhou University of Technology, No.2 Lishui Road, Yunlong District, Xuzhou City, Jiangsu Province, People's Republic of China ~72: CAO, Wenping;JIANG, Cheng;LI, Zebing;QI, Xinhua~ 33:CN ~31:202111422944.4 ~32:26/11/2021

2021/10396 ~ Complete ~54:IMPROVED ELECTRIC TELEHANDLER ~71:MANITOU ITALIA S.R.L., via Cristoforo Colombo, 2 Località Cavazzona, Castelfranco Emilia (Modena), 41013, Italy ~72: MARCO IOTTI~ 33:IT ~31:102020000032532 ~32:28/12/2020

2021/10397 ~ Complete ~54:INSULATING MEMBER FOR AN INJECTOR ~71:RABE, SCHALK WILLEM, 5 Mandarin Rd, South Africa ~72: RABE, SCHALK WILLEM~ 33:ZA ~31:2020/07363 ~32:26/11/2020

2021/10402 ~ Complete ~54:METHOD FOR PREPARING ANTISTATIC MATERIAL BY ONE-STEP METHOD, UV-CURED COATING AND APPLICATION ~71:ZHANG, Shihu, Xinhai Industrial Park, Wudi County, Binzhou City, People's Republic of China ~72: HAO, Dekai;LI, Shisheng;WANG, Chao;WANG, Zhenqiang;YANG, Huatong;ZHANG, Shihu;ZHANG, Xiaodi~

2021/10407 ~ Complete ~54:A RAILWAY GATE CONTROL SYSTEM USING INTERNET OF THINGS ~71:VISHWAKARMA INSTITUTE OF TECHNOLOGY, 666, UPPER MARKET RD, UPPER INDIRA NAGAR, BIBWEWADI, PUNE, India ~72: GAIKWAD, Vijay;KANADE, Dyanesh;KULKARNI, M. M.;NEHUL, Sayali;NIKALJE, Sudhanshu;NIKAM, Sanket;PANSARE, Rucha;PATIL, Harshawardhan~

2021/10418 ~ Complete ~54:REAGENTS AND METHODS FOR REPLICATION, TRANSCRIPTION, AND TRANSLATION IN SEMI-SYNTHETIC ORGANISMS ~71:THE SCRIPPS RESEARCH INSTITUTE, 10550 North Torrey Pines Road, United States of America ~72: DIEN, Vivian, T.;FELDMAN, Aaron, W.;KARADEEMA, Rebekah, J.;LEDBETTER, Michael, P.;LI, Lingjun;ROMESBERG, Floyd, E.;ZHOU, Anne Xiaozhou~ 33:US ~31:62/861,901 ~32:14/06/2019

2021/10383 ~ Complete ~54:AFFORESTATION TECHNIQUE FOR TACKLING KEY PROBLEMS IN ARID ROCKY BARREN HILLS ~71:Hebei Agricultural University, No. 2596, Lekai South Street, Lianchi District, Baoding City, Hebei Province, 071001, People's Republic of China;Hebei Saihanba Mechanical Forest Farm, Saihanba, Mongolian Autonomous County, Manchu, Weichang, Chengde City, Hebei, 068466, People's Republic of China ~72: CHEN, Dali;CHEN, Zhiqing;CUI, Yan;DING, Xiaodong;DING, Yuhui;FAN, Dongdong;FANG, Limin;FU, Lihua;HUANG, Yuexin;LI, Yongdong;LIU, Qiang;SHI, Chen;WANG, Dongzhi;YIN, Hailong;ZHANG, Jiandong;ZHANG, Yanfang;ZHANG, Zhidong;ZHANG, Zhiwei~

2021/10387 ~ Complete ~54:AN EXTRACTION METHOD OF ACTIVE SUBSTANCE IN MULBERRY LEAVES ~71:Bozhou University, No.2266, Tangwang Avenue, High-tech Industrial Development Zone, Bozhou City, Anhui Province, People's Republic of China ~72: HU, Tingting;LI, Jinyang;MENG, Xiangsong;YANG, Yongjian;ZHAI, Junjie;ZUO, Yafeng~ 33:CN ~31:202110989617.0 ~32:26/08/2021

2021/10420 ~ Complete ~54:EXTRUDER SCREW HANDLING DEVICE ~71:BÜHLER AG, Gupfenstrasse 5, Switzerland ~72: KRISCHE, Andreas;VENKATESH, Manjunatha Mutaguppe~ 33:WO ~31:PCT/CN2019/090752 ~32:11/06/2019

2021/10441 ~ Complete ~54:ENHANCED MECHANICAL DEWATERING OF A SLURRY ~71:PHIBION PTY LTD, 158 Benjamin Place, Australia ~72: MUNRO, Leon;SMIRK, David~ 33:AU ~31:2019901868 ~32:30/05/2019

2021/10365 ~ Provisional ~54:VERIFICATION SYSTEM ~71:AKHIDUE, Charles Osemudiamen, The Catalyst, 100 Pretoria Ave, South Africa ~72: AKHIDUE, Charles Osemudiamen~

2021/10374 ~ Complete ~54:SOLAR VEGETABLE CULTIVATION BOX ~71:Ningbo University of Technology, No. 201, Fenghua Road, Jiangbei District, Ningbo City, Zhejiang Province, 315000, People's Republic of China ~72: Chen Wenbo;Duan Shucheng;Huang Renai;Huang Shiqing;Li Hongkai;Li Jinxian;Li Ru;Shao Yijie;Shen Yanyan;Wu Hung-Chun;Xu Hui~

2021/10423 ~ Complete ~54:FLOATING WIND TURBINE PLATFORM CONTROLLED TO OPTIMIZE POWER PRODUCTION AND REDUCE LOADING ~71:PRINCIPLE POWER, INC, 5901 CHRISTIE AVENUE, SUITE 303, EMERYVILLE, CA 94608, USA, United States of America ~72: KANNER, Sam;LOUAZEL, Pauline;PEIFFER, Antoine;RODDIER, Dominique;YU, Bingbin~ 33:US ~31:16/427,208 ~32:30/05/2019

2021/10440 ~ Complete ~54:MOULDED POLYURETHANE HYDROGELS ~71:EUDAEMON TECHNOLOGIES PTY LTD, Suite 23, Level 1, 50 Yeo Street Neutral Bay, Australia ~72: COOK, Simon;GORKIN III, Robert;SHEPHERD, David~ 33:AU ~31:2019902307 ~32:28/06/2019

2021/10377 ~ Complete ~54:METHOD FOR DISINFECTING LIVESTOCK AND POULTRY FARMS BY USING STRONG ALKALINE ELECTROLYZED WATER ~71:Institute of Animal Health, Guangdong Academy of Agricultural Sciences, Wushan Street, Tianhe District, Guangzhou, Guangdong Province, People's Republic of China ~72: CAI RUJIAN;CHU PINPIN;GOU HONGCHAO;JIANG ZHIYONG;LI CHUNLING;LI YAN;SONG SHUI;YANG DONGXIA;ZHANG KUNLI~

2021/10437 ~ Complete ~54:COMPOSITIONS AND METHODS OF MANUFACTURING TRIVALENT FILOVIRUS VACCINES ~71:SOLIGENIX, INC., 29 Emmons Drive, Suite B-10, Princeton, New Jersey, 08540, United States of America;UNIVERSITY OF HAWAII, 2425 Campus Road, Sinclair 10, Honolulu, Hawaii, 96822, United States of America ~72: AXEL LEHRER;OREOLA DONINI~ 33:US ~31:62/850,443 ~32:20/05/2019

2021/10427 ~ Complete ~54:WATER TREATMENT SYSTEM AND METHOD OF USE THEREOF ~71:Renew Health Ltd, IDA Business and Technology Park, Garrycastle, Dublin Road, ATHLONE N37 F786, CO WESTMEATH, IRELAND, Ireland ~72: BAERTSON, Troy;BURMEISTER, Roy;DRULIA, Jeffrey;DUPUIS, Jeff;EBERHARDT, Frank;HAWRYLO, Luke;JUNI, Jack Edward;KOVALCIK, Michael;KOWALSKI, Dereck;O'BRIEN, Mitchell;PAVKOVICH, Christian;REESBECK, Thomas;RUFFOLO, Alex;SABRA, Lauren;TALLY, William N.~ 33:US ~31:62/859,186 ~32:09/06/2019;33:US ~31:62/960,259 ~32:13/01/2020;33:US ~31:62/979,691 ~32:21/02/2020

2021/10431 ~ Complete ~54:RADIO FREQUENCY IDENTIFICATION FLAT SHEET MATERIAL ~71:DEMIDOV, Ivan Sergeevich, k. 921, kv. 186, Moscow, Zelenograd, 124575, Russian Federation ~72: DEMIDOV, Ivan Sergeevich~ 33:RU ~31:2019118582 ~32:14/06/2019

2021/10433 ~ Complete ~54:RADIO FREQUENCY IDENTIFICATION SHEET MATERIAL ~71:DEMIDOV, Ivan Sergeevich, K. 921, kv. 186, Moscow, Zelenograd, 124575, Russian Federation ~72: DEMIDOV, Ivan Sergeevich~ 33:RU ~31:2019118570 ~32:14/06/2019

2021/10398 ~ Complete ~54:SELF-RESETTING ROCKING STEEL FRAME STRUCTURE AND METHOD FOR CONSTRUCTING SAME ~71:HAINAN UNIVERSITY, NO.58, RENMIN AVENUE, People's Republic of China ~72: CHEN, CHAO;CHEN, YUN~

2021/10399 ~ Complete ~54: SUPERCONDUCTING DIRECT-CURRENT MOTOR WITHOUT COMMUTATING DEVICE ~71: WEIFANG ZHIHUI ELECTRONIC TECHNOLOGY CO., LTD., 3rd Floor, Weifang University Student Entrepreneurship Incubation Base, No. 5147, Hanlin Community, Xincheng Street, High-tech Zone, Weifang City, People's Republic of China ~72: DING, Wei; DONG, Longfei; DONG, Wenshan ~ 33: CN ~31: 202110122536.0 ~32: 29/01/2021

- APPLIED ON 2021/12/15 -

2021/10446 ~ Complete ~54: PRIMER-PROBE COMBINATION AND KIT FOR DETECTING BOVINE ESCHERICHIA COLI, AND APPLICATION ~71: INNER MONGOLIA AGRICULTURAL UNIVERSITY, NO. 306, ZHAOWUDA ROAD, SAIHAN DISTRICT, HOHHOT, People's Republic of China; JILIN AGRICULTURAL UNIVERSITY, NO. 2888, XINCHENG STREET, NANGUAN DISTRICT, CHANGCHUN, People's Republic of China ~72: GUAN, Pingyuan; LI, Nuo; QUAN, Puhong; XIE, Mengyuan; XU, Xiaojing ~

2021/10456 ~ Complete ~54: METHOD FOR PREPARING ZNO/MCM-41 DESULFURIZATION SORBENT BY MICROWAVE-BASED IN-SITU ONE-STEP METHOD ~71: Taiyuan University of Technology, Taiyuan University of Technology, No.79 Yingze West Street, Taiyuan City, Shanxi Province, 030008, People's Republic of China ~72: Feng Yu; Mi Jie; Ru Ziwei; Sun Yangjie; Wang Jiancheng; Zhang Man; Zhang Xin ~

2021/10500 ~ Complete ~54: SUBSTITUTED PYRROLO [2, 3-B] PYRIDINE AND PYRAZOLO [3, 4-B] PYRIDINE DERIVATIVES AS PROTEIN KINASE INHIBITORS ~71: FOCHON PHARMACEUTICALS, LTD., 2 Yangliu Road, Bldg F, Yubei District Chongqing, 401121, People's Republic of China; SHANGHAI FOCHON PHARMACEUTICAL CO., LTD., Room 512, Building A, No. 1289 Yishan Road, Shanghai, 200233, People's Republic of China ~72: BIN LIU; CHENGLIN ZHOU; HAOHAN TAN; KAI YU; LIHUA JIANG; QIHONG LIU; SHU LIN; TONGSHUANG LI; WEIBO WANG; WEIPENG ZHANG; XIANLONG WANG; XINGDONG ZHAO; YANXIN LIU; YUNLING WANG; YUWEI GAO; ZHIFU LI; ZONGYAO ZOU; ZUWEN ZHOU ~ 33: US ~31: 62/854,983 ~32: 31/05/2019; 33: US ~31: 62/904,611 ~32: 23/09/2019; 33: US ~31: 62/935,091 ~32: 14/11/2019

2021/10506 ~ Complete ~54: SYSTEMS AND METHODS FOR AQUEOUS RECOVERY OF LEAD FROM LEAD ACID BATTERIES WITH REDUCED ELECTROLYTE DEMAND ~71: AQUA METALS INC., 2500 Peru Drive McCarran,, United States of America ~72: HUFFORD, Joshua; MOHANTA, Samaresh ~ 33: US ~31: 62/860,928 ~32: 13/06/2019

2021/10453 ~ Complete ~54: TECHNOLOGY FOR PURIFYING LACTIC ACID BY ESTERIFICATION-HYDROLYSIS METHOD BASED ON CATALYTIC REACTION DISTILLATION COUPLING ~71: East China University of Science and Technology, No. 130, Meilong Road, Shanghai, 200237, People's Republic of China ~72: Li Shating; Sun Li; Wang Ying; Xu Jumei; Xue Weilan; Zeng Zuoxiang ~

2021/10460 ~ Complete ~54: BIOACTIVE WATER AND PREPARATION METHOD THEREOF ~71: Yanbian University, 977 Gongyuan Road, Yanji City, Yanbian Korean Autonomous Prefecture, Jilin Province, 133002, People's Republic of China ~72: CHENG, Xiaoxiao; CUI, Huazi; JIN, Xu; LI, Guangchun ~

2021/10442 ~ Provisional ~54: A TILTING APPARATUS ~71: VDM SUPPLY CHAIN SOLUTIONS (PTY) LTD, FARM NO. 127/1, YZERVARKENSRUG, SALDANHA, SOUTH AFRICA, South Africa ~72: VAN ZYL, Pieter ~

2021/10455 ~ Complete ~54: COLLISION DETECTION METHOD FOR PICKING ROBOT ARM ~71: Northwest A and F University, No. 22, Xinong Road, Yangling District, Xianyang City, Shaanxi Province, 712100, People's Republic of China ~72: CUI, Yongjie; LI, Kai; LIU, Li; QIAO, Xin; SHI, Yinggang; YANG, Tian; ZHANG, Wei ~

2021/10459 ~ Complete ~54: FORCE MONITORING AND EARLY WARNING DEVICE FOR U-SHAPED STEEL SUPPORT IN COAL MINE ~71: SHANDONG UNIVERSITY OF SCIENCE AND TECHNOLOGY, No.579

Qianwangang Road, Huangdao District, Qingdao, Shandong Province, 266590, People's Republic of China ~72: TAN, Yunliang;YIN, Yanchun;YU, Fenghai;ZHAO, Tongbin~

2021/10464 ~ Complete ~54:CENTRIFUGAL IMPELLER AND ITS HOLLOW BLADES ~71:XI'AN FANS-TECH FLUID MACHINERY CO.,LTD., Room 305, Building 5, Headquarters Economic Park, Fengxi New City, Xixian New District, Shaanxi, 710065, People's Republic of China ~72: CHEN, Zonghua~

2021/10475 ~ Complete ~54:AN APPARATUS AND A METHOD FOR VIDEO CODING AND DECODING ~71:NOKIA TECHNOLOGIES OY, KARAKAARI 7, 02610 ESPOO, FINLAND, Finland ~72: HANNUKSELA, Miska~ 33:FI ~31:20195465 ~32:03/06/2019

2021/10465 ~ Complete ~54:PRESSURE TESTING ~71:FRITZ, Jan Hendrik, 10 Fenscor Court, 82 Beyers Naude, Franklin Roosevelt Park, South Africa ~72: FRITZ, Jan Hendrik~

2021/10467 ~ Complete ~54:DRILL HEAD FOR CREATING A BORE HOLE IN THE GROUND ~71:HERRENKNECHT AG, Schlehenweg 2, 77963, Schwanau, Germany ~72: ALEXANDER FREY;TILMANN SCHWAB~ 33:DE ~31:10 2020 134 073.7 ~32:17/12/2020;33:DE ~31:10 2021 112 353.4 ~32:11/05/2021;33:DE ~31:10 2021 113 072.7 ~32:20/05/2021;33:DE ~31:10 2021 115 228.3 ~32:11/06/2021;33:DE ~31:10 2021 132 868.3 ~32:14/12/2021

2021/10469 ~ Complete ~54:PUBLIC HEALTH REFINED MANAGEMENT-BASED DATA QUALITY CONTROL SYSTEM ~71:SHANGHAI MUNICIPAL CENTER FOR DISEASE CONTROL AND PREVENTION, 1380 Zhongshan West Road, Changning District, People's Republic of China ~72: DAO, Li;FU, Chen;JIANG, Yilan;LIN, Weixiao;LIU, Xinghang;MAO, Dan;QIAN, Chensi;WANG, Senran;XIA, Han;XIA, Tian;XU, Jin;YANG, Mei;YU, Huiting;ZHANG, Cheng;ZU, Ping~

2021/10474 ~ Complete ~54:MELANOCORTIN-4 RECEPTOR AGONISTS ~71:LG CHEM, LTD., 128, YEOUI-DAERO, YEONGDEUNGPO-GU, SEOUL 07336, REPUBLIC OF KOREA, Republic of Korea ~72: AHN, Hye Won;CHOI, Eun Sil;HONG, Ji Ho;KANG, Seung Wan;PARK, Hee Dong;PARK, Hee Dong;PARK, Hyun Seo;YEO, Su Jin~ 33:KR ~31:10-2019-0141649 ~32:07/11/2019

2021/10470 ~ Complete ~54:CLOSED LIQUID DISCHARGE METHOD FOR TORCH LINE AND SYSTEM THEREOF ~71:SHANDONG BAOTA NEW ENERGY CO., LTD., Xiaodingshan Chemical Industrial Park, Zhaili Town, Zichuan District, Zibo City, People's Republic of China ~72: JIN, Peng;LI, Yan;LI, Zhentang;LIU, Bo;MU, Jianfeng;TANG, Wei;TIAN, Zhen;WANG, Hongtao;WANG, Jilong;WU, Chuansheng;XIAO, Kaiwen;XU, Huazhi;YU, Biao;YUAN, Baoxiang~

2021/10481 ~ Complete ~54:FLOW CELLS ~71:ILLUMINA, INC., 5200 Illumina Way, United States of America ~72: BOWEN, M. Shane;HONG, Sahngki;KRAFT, Lewis J.~ 33:US ~31:62/951,780 ~32:20/12/2019

2021/10490 ~ Complete ~54:AN ENCODER, A DECODER AND CORRESPONDING METHODS FOR SUB-BLOCK PARTITIONING MODE ~71:Huawei Technologies Co., Ltd., Huawei Administration Building, Bantian, Longgang District, SHENZHEN 518129, GUANGDONG, CHINA (P.R.C.), People's Republic of China ~72: ALSHINA, Elena Alexandrovna;BLAESER, Max;ESENLIK, Semih;GAO, Han;KOTRA, Anand Meher;WANG, Biao;ZHAO, Zhijie~ 33:IB ~31:2019/066432 ~32:21/06/2019

2021/10496 ~ Complete ~54:RE-IDENTIFICATION OF ROUGH GEMSTONES ~71:De Beers UK Ltd, 20 Carlton House Terrace, LONDON SW1Y 5AN, UNITED KINGDOM, United Kingdom ~72: HONG, Qi He~ 33:GB ~31:1908875.6 ~32:20/06/2019

2021/10482 ~ Complete ~54:INDANES AS PD-L1 INHIBITORS ~71:CHEMOCENTRYX, INC., 835 Industrial Road, Suite 600, United States of America ~72: MALATHONG, Viengkham;MALI, Venkat Reddy;MCMURTRIE, Darren J.;PUNNA, Sreenivas;ROTH, Howard S.;SINGH, Rajinder;YANG, Ju;ZHANG, Penglie~ 33:US ~31:62/872,541 ~32:10/07/2019

2021/10485 ~ Complete ~54:SECURITY DOCUMENT AND MANUFACTURING METHOD THEREOF ~71:SICPA HOLDING SA, Avenue de Florissant 41, PRILLY 1008, SWITZERLAND, Switzerland ~72: GARNIER, Jean;MARTINI, Thibaut;RITTER, Gebhard;RUGGERONE, Riccardo;VEYA, Patrick~ 33:EP ~31:19175971.1 ~32:22/05/2019

2021/10493 ~ Complete ~54:CIRCUIT AND METHOD FOR BUS VOLTAGE VARIATION IN POWER CONVERTERS ~71:General Electric Company, 1 River Road, SCHENECTADY 12345, NY, USA, United States of America ~72: RUSH, Kenneth McClellan;TONINI, Luca;TU, Hao;ZHANG, Zheyu~ 33:US ~31:62/865,776 ~32:24/06/2019

2021/10458 ~ Complete ~54:METHOD AND DEVICE FOR GROWING DENDROBIUM WITH LIVE BARK ~71:Lu'an Kekedaer Biotechnology Co., Ltd., 1301, Building A, Lu'an Technology Entrepreneurship Service Center, Lu'an Economic and Technological Development Zone, Lu'an City, Anhui Province, 237000, People's Republic of China ~72: CHENG, Rui~

2021/10466 ~ Complete ~54:FUNGICIDAL COMBINATIONS ~71:UPL LTD, Agrochemical Plant, Durgachak, Midnapore Dist., HALDIA 721 602, WEST BENGAL, INDIA, India ~72: FABRI, Carlos Eduardo;SHROFF, Jaidev Rajnikant;SHROFF, Rajju Devidas;SHROFF, Vikram Rajnikant~ 33:IN ~31:201731008009 ~32:07/03/2017

2021/10478 ~ Complete ~54:IMMEDIATE RELEASE FIXED-DOSE COMBINATION OF MEMANTINE AND DONEPEZIL ~71:TECNIMEDE- SOCIEDADE TÉCNICO-MEDICINAL, SA, RUA DA TAPADA GRANDE, N°2, ABRUNHEIRA-SINTRA, 2710-089 SINTRA, PORTUGAL, Portugal ~72: OLIVEIRA MACHUCO ESTEVENS, Maria, Catarina;PARDAL FILIPE, Augusto, Eugénio;SILVA MARQUES DA COSTA, Ricardo Manuel;SILVA SERRA, João, Pedro~ 33:PT ~31:115557 ~32:31/05/2019

2021/10488 ~ Complete ~54:TEMPERATURE SWING SOLVENT EXTRACTION FOR DESCALING OF FEEDSTREAMS ~71:The Trustees of Columbia University in the City of New York, 412 Low Memorial Library, 535 West 116th Street, NEW YORK 10027, NY, USA, United States of America ~72: BOO, Chanhee;YIP, Ngai Yin~ 33:US ~31:62/848,642 ~32:16/05/2019;33:US ~31:62/904,723 ~32:24/09/2019;33:US ~31:63/024,954 ~32:14/05/2020

2021/10503 ~ Complete ~54:COMPOSITIONS AND METHODS FOR PRESERVING ORGAN TRANSPLANTS ~71:FIRSTSTRING RESEARCH, INC., 300 West Coleman Blvd., Suite 203, Mt. Pleasant, South Carolina, 29464, United States of America ~72: GAUTAM S GHATNEKAR~ 33:US ~31:62/871,475 ~32:08/07/2019

2021/10445 ~ Complete ~54:A FEEDER ARRANGEMENT ~71:VAN NIEKERK, Leonard Francois Mathey, 4 Jasmyn Street, Kanonkop, South Africa ~72: VAN NIEKERK, Cornelius Jan Hendrik;VAN NIEKERK, Leonard Francois Mathey~ 33:ZA ~31:2020/07426 ~32:30/11/2020

2021/10454 ~ Complete ~54:METHOD FOR PREPARING CARBON MATERIALS AND TREATING WASTEWATER ~71:Zhengzhou University, No.100 Science Avenue, Zhengzhou City, Henan Province, 450001, People's Republic of China ~72: Wang Chongqing~

2021/10462 ~ Complete ~54:HIGHLAND BARLEY-BASED FUNCTIONAL RED YEAST RICE RICH IN ERGOSTEROL AND PREPARATION METHOD OF HIGHLAND BARLEY-BASED FUNCTIONAL RED YEAST RICE ~71:Qinghai Huashi Highland Barley Biological Technology Development Co., Ltd., No. 14, North Section of

Jing'er Road, Biotechnology Industrial Park, Chengbei District, Xining, Qinghai, 810016, People's Republic of China; Qinghai Huashi Technology Investment Management Co., Ltd., No. 17 South Street, Chengzhong District, Xining, Qinghai, 810000, People's Republic of China; Qinghai Zhongcheng Food Testing Co., Ltd., No. 14, North Section of Jing'er Road, Biotechnology Industrial Park, Chengbei District, Xining, Qinghai, 810016, People's Republic of China ~72: DU, Yan; HAO, Jing; LIANG, Feng; QI, Xingfang; TU, Zhaoxin; WAN, Youcun; ZHANG, Chengping; ZHOU, Wenju~

2021/10471 ~ Complete ~54:ANAEROBIC DIGESTION OF ACID MINE DRAINAGE AND WASTEWATER EFFLUENT ~71:UNIVERSITY OF JOHANNESBURG, AUCKLAND PARK CAMPUS, CORNER OF KINGSWAY AND UNIVERSITY ROADS, AUCKLAND PARK, South Africa ~72: KALLON, Daramy Vandi Von; THISANI, Sandisiwe Khanyisa~ 33:ZA ~31:2020/05950 ~32:28/09/2020

2021/10476 ~ Complete ~54:COMPOSITION WITH ANTIBACTERIAL AND RE-EPITHELIALIZING ACTION INCLUDING PROBIOTICS ~71:MENDES S.R.L., VIA NUORO 12, 00040 ARDEA ITALY, Italy ~72: SANTINI, Gino~ 33:IT ~31:102019000009951 ~32:24/06/2019

2021/10497 ~ Complete ~54:VIDEO CODING LAYER UP-SWITCHING INDICATION ~71:TELEFONAKTIEBOLAGET LM ERICSSON (PUBL), 164 83, Sweden ~72: DAMGHANIAN, Mitra; PETTERSSON, Martin; SJÖBERG, Rickard~ 33:US ~31:62/864,683 ~32:21/06/2019

2021/10491 ~ Complete ~54:SWITCHING CIRCUIT ~71:General Electric Company, 1 River Road, SCHENECTADY 12345, NY, USA, United States of America ~72: PRABHAKARAN, Satish; ZHANG, Zheyu~

2021/10479 ~ Complete ~54:NOVEL ESTERS OF MEDROXYPROGESTERONE ~71:HAFEEZ, Kalak Abdul, No. 8 Regency Palazzo, A4, 4th Floor, Hall Road, Richards Park, Richards Town, India ~72: HAFEEZ, Kalak Abdul; PITTALA, Sandhya~ 33:IN ~31:201941022324 ~32:05/06/2019

2021/10492 ~ Complete ~54:VOLTAGE BALANCE SYSTEMS AND METHODS FOR MULTILEVEL CONVERTERS ~71:General Electric Company, 1 River Road, SCHENECTADY 12345, NY, USA, United States of America ~72: RAMABHADRAN, Ramanujam; SADILEK, Tomas; TU, Hao; ZHANG, Zheyu~

2021/10494 ~ Complete ~54:CONTINUOUS-FLOW ELECTROMAGNETIC-INDUCTION FLUID HEATER IN A VENDING- MACHINE FOR PREPARING BEVERAGES ~71:Rheavendors Services S.P.A., Via Valleggio, 2/BIS, COMO 22100, ITALY, Italy ~72: BRUZZESE, Fabio~ 33:IT ~31:102019000009381 ~32:18/06/2019

2021/10501 ~ Complete ~54:HETEROCYCLIC DERIVATIVES AND USE THEREOF ~71:FOCHON PHARMACEUTICALS, LTD., 2 Yangliu Road, Bldg F, Yubei District, Chongqing, 401121, People's Republic of China; SHANGHAI FOCHON PHARMACEUTICAL CO., LTD., Room 512, Building A, No. 1289 Yishan Road, Shanghai, 200233, People's Republic of China ~72: BIN LIU; CHENGLIN ZHOU; HAOHAN TAN; HUA XU; LIHUA JIANG; LIJUN YANG; LING CHEN; RUI TAN; SHU LIN; WEIBO WANG; XIANLONG WANG; XINGDONG ZHAO; YUE RONG; YUWEI GAO; ZHIFANG CHEN; ZUWEN ZHOU~ 33:US ~31:62/862,164 ~32:17/06/2019

2021/10504 ~ Complete ~54:AGGREGATED ADAPTIVE PURCHASE PROCESS AND INTERFACE ~71:HOLLYWOOD.COM LLC, 2255 Glades Road, Suite 221A , Boca Raton, Florida, 33431, United States of America ~72: GREG SICA; JEROME POWELL; MITCHELL RUBENSTEIN; SCOTT MCDONALD~ 33:US ~31:62/849,707 ~32:17/05/2019; 33:US ~31:62/940,126 ~32:25/11/2019

2021/10443 ~ Provisional ~54:A GRID ANTENNA ~71:BICK, Anthony Aaron, 41b 4th Avenue, Illovo, Sandton, South Africa; FANAROFF, Stanley, c/o Stan Fanaroff & Associates, 107 Oxford Road, Rosebank, South Africa ~72: BICK, Anthony Aaron; CONFAIT, Jean-Pierre Julius~

2021/10463 ~ Complete ~54:METHOD AND SYSTEM OF SHADOWLESS MEMBRANE INTERLAYER CUP PREPARATION AND STAINING FOR CELL AND BACTERIA DETECTION ~71:Hunan-tech New Medical Systems CO.,Ltd., 2 nd Building, South District of High Tech Zone, Huaihua, Hunan, People's Republic of China ~72: Jun PENG;Xunkai PENG;Zhenhua LI~ 33:CN ~31:2021113570643 ~32:16/11/2021

2021/10472 ~ Complete ~54:AN APPARATUS, A METHOD AND A COMPUTER PROGRAM FOR VIDEO CODING AND DECODING ~71:NOKIA TECHNOLOGIES OY, KARAKAARI 7, 02610 ESPOO, FINLAND, Finland ~72: HANNUKSELA, Miska~ 33:FI ~31:20195465 ~32:03/06/2019;33:FI ~31:20195728 ~32:03/09/2019

2021/10483 ~ Complete ~54:LIGNAN GLYCOSIDE COMPOUND FROM BARK OF ALBIZIA JULIBRISSIN FOR PROMOTING ENDOTHELIAL CELL PROLIFERATION AND USE THEREOF LIGNAN GLYCOSIDE COMPOUND FROM BARK OF ALBIZIA JULIBRISSIN FOR PROMOTING ENDOTHELIAL CELL PROLIFERATION AND USE THEREOF ~71:JIANGNAN UNIVERSITY, No.1800 Lihu Avenue, Binhu District, Wuxi, Jiangsu, 214122, People's Republic of China ~72: CAI, Weiwei;HOU, Bao;NI, Lulu;QIU, Liying;SHI, Xuelin;ZHOU, Yuetao~ 33:CN ~31:201910945579.1 ~32:30/09/2019

2021/10486 ~ Complete ~54:SYSTEMS AND METHODS FOR DIGITAL WORKFORCE INTELLIGENT ORCHESTRATION ~71:Blue Prism Limited, 2 Cinnamon Park, Crab Lane, Fearnhead, WARRINGTON WA2 0XP, UNITED KINGDOM, United Kingdom ~72: BLACKBURN, Tom;MAJOR, Danny;WALBY, Terry~ 33:US ~31:16/413,679 ~32:16/05/2019

2021/10502 ~ Complete ~54:FUNCTIONALIZED LONG-CHAIN HYDROCARBON MONO- AND DI-CARBOXYLIC ACIDS USEFUL FOR THE PREVENTION OR TREATMENT OF DISEASE ~71:ESPERVITA THERAPEUTICS, INC., 7939 Secretariat Drive, Saline, Michigan, 48176, United States of America ~72: DANIELA CARMEN ONICIU~ 33:US ~31:62/878,852 ~32:26/07/2019;33:US ~31:62/901,739 ~32:17/09/2019

2021/10480 ~ Complete ~54:MOUNTING APPARATUS ~71:NORCROS GROUP (HOLDINGS) LIMITED, Central Way Andover, United Kingdom ~72: TOOLEY, Jonathan Harry~ 33:GB ~31:1909623.9 ~32:04/07/2019

2021/10484 ~ Complete ~54:POWER PRODUCTION WITH COGENERATION OF FURTHER PRODUCTS ~71:8 RIVERS CAPITAL, LLC, 406 Blackwell Street, Durham, United States of America ~72: FORREST, Brock Alan;LU, Xijia;RAFATI, Navid~ 33:US ~31:62/860,974 ~32:13/06/2019

2021/10499 ~ Complete ~54:GLYCOLATE OXIDASE INHIBITORS FOR THE TREATMENT OF DISEASE ~71:BIOMARIN PHARMACEUTICAL INC., 105 Digital Drive, Novato, California, 94949, United States of America ~72: BING WANG;BRETT E CRAWFORD;SHRIPAD BHAGWAT;XIAOMEI BAI~ 33:US ~31:62/863,786 ~32:19/06/2019

2021/10447 ~ Complete ~54:ACRYLAT-OLEFIN COPOLYMERS AS HIGH VISCOSITY BASE FLUIDS ~71:EVONIK OPERATIONS GMBH, RELINGHAUSER STRASSE 1-11, 45128 ESSEN, GERMANY, Germany ~72: HILF, Stefan;JANßEN, Dieter;MAIER, Stefan, Karl;SCHÖLLER, Katrin;ZIEGLER, Fabian~ 33:EP ~31:20215450.6 ~32:18/12/2020

2021/10452 ~ Complete ~54:MINIATURE INTELLIGENT VEGETABLE CULTIVATION BOX ~71:Institute of Leisure Agriculture, Shandong Academy of Agricultural Sciences, No. 202, Industrial North Road, Licheng District, Jinan City, Shandong Province, 250100, People's Republic of China ~72: CHEN, Shujun;WANG, Jianghui;WANG, Yue;YAO, Huimin~

2021/10448 ~ Complete ~54:A CARRIER FOR CARRYING AN ITEM AT THE REAR OF A VEHICLE ~71:DORRINGTON, GERALD, 157 Ranger Road, South Africa ~72: DORRINGTON, GERALD~

2021/10450 ~ Complete ~54:UPLAND COTTON TRANSFORMANT R1-3 AND IDENTIFICATION METHOD THEREOF ~71:INSTITUTE OF COTTON RESEARCH , SHANXI AGRICULTURAL UNIVERSITY, 118 Yellow River Avenue, Yuncheng, Shanxi Province, 044000, People's Republic of China ~72: LI, Huanli;MA, Yanbin;WANG, Xia;WANG, Xinsheng;WEN, Jin~

2021/10457 ~ Complete ~54:METHOD FOR PREPARING ECHINACEA PURPUREA POLYSACCHARIDE NANOPARTICLES ~71:Qingdao Agricultural University, 700 Changcheng Road, Chengyang District, Qingdao City, Shandong Province , 266109, People's Republic of China ~72: GAO, Fei;HOU, Ranran;LI, Qiu~ 33:CN ~31:202110624162.2 ~32:04/06/2021

2021/10468 ~ Complete ~54:A HYBRID FIBRE OPTIC CABLE SPLICE ENCLOSURE ~71:BOTHA, JACOB JOHANNES FRANCOIS, 89 Ibex Street, The Wilds, South Africa;NETO, MICAEL, 89 Ibex Street, The Wilds, South Africa ~72: BOTHA, JACOB JOHANNES FRANCOIS;NETO, MICAEL~

2021/10473 ~ Complete ~54:METHOD FOR PRODUCING INCONTINENCE ARTICLES ~71:PAUL HARTMANN AG, PAUL-HARTMANN-STRASSE 12, 89522 HEIDENHEIM, GERMANY, Germany ~72: BEYRLE, Andreas;BUCH, Tamara;EILERS, Jörg;SCHMIDT, Ann-Cathrin~ 33:DE ~31:10 2019 114 136.2 ~32:27/05/2019

2021/10487 ~ Complete ~54:MONITORING GROUND ENGAGING PRODUCTS ~71:ESCO Group LLC, 2141 NW 25th Avenue, PORTLAND 97210-2578, OR, USA, United States of America ~72: ANDERTON, John M.;BETOURNAY, Jason Wayne;CARPENTER, Christopher M.;COWGILL, Noah D.;HYDE, Steven Daniel~ 33:US ~31:62/862,625 ~32:17/06/2019

2021/10498 ~ Complete ~54:ELECTRONIC DEVICE FOR REDUCING POWER CONSUMPTION AND OPERATING METHOD THEREOF ~71:SAMSUNG ELECTRONICS CO., LTD., 129, Samsung-ro, Yeongtong-gu, Suwon-si, Gyeonggi-do, 16677, Republic of Korea ~72: HEETAE KIM;INHWAN HWANG;JUNGTAE KIM;KYEJEONG JEONG;SUNGYONG BANG~ 33:KR ~31:10-2019-0095655 ~32:06/08/2019

2021/10444 ~ Complete ~54:CITRON POLYSACCHARIDE, EXTRACTION METHOD AND APPLICATION THEREOF ~71:INSTITUTE OF FRUIT TREE RESEARCH, GUANGDONG ACADEMY OF AGRICULTURAL SCIENCES, Dafeng Two Street #80, Tianhe District, People's Republic of China ~72: FAN, Ruiyi;ZENG, Jiwu~ 33:CN ~31:202011644426.2 ~32:30/12/2020

2021/10461 ~ Complete ~54:UNDERGROUND MINE PNEUMATIC EXPLOSION-PROOF ANCHOR CABLE AUTOMATIC INSTALLATION CART ~71:Shandong University of Science and Technology, 579 Qianwangang Road, Huangdao District, Qingdao City, Shandong Province, 266590, People's Republic of China ~72: Chen Sheng;Cheng Jingyi;Gao Kuidong;Jiang Shoubo;Li Yanhe;Lin Lisong;Liu Jihai;Lu Zhenguo;Meng Zhaosheng;Sun Liqing;Wang Xinyu;Yang Zhanbiao;Zeng Qingliang;Zhang Zhijun~ 33:CN ~31:202121289545.0 ~32:09/06/2021

2021/10477 ~ Complete ~54:NEW CARBOCYCLIC PYRIDINE CARBOXAMIDES ~71:BASF SE, CARL BOSCH STRASSE 38, 67056 LUDWIGSHAFEN AM RHEIN, GERMANY, Germany ~72: GRAMMENOS, Wassilios;GROTE, Thomas;KOCH, Andreas;LOHMANN, Jan, Klaas;MERGET, Benjamin, Juergen;MUELLER, Bernd;RIEDIGER, Nadine;RUDOLF, Georg, Christoph;SEET, Michael;WEBER, Anja;WIEBE, Christine;WINTER, Christian, Harald~ 33:EP ~31:19178605.2 ~32:06/06/2019

2021/10489 ~ Complete ~54:METHOD FOR PRODUCING A BIOCIDES ~71:A.Y. Laboratories Ltd., 8 Beeri Street, TEL AVIV 6468208, ISRAEL, Israel ~72: BARAK, Ayala~ 33:US ~31:62/869,273 ~32:01/07/2019

2021/10495 ~ Complete ~54:TRAVEL SERVICES BASED ON TRANSPORTATION CRITERIA ~71:Inspirato, 1544 Wazee Street, DENVER 80202, CO, USA, United States of America ~72: HANDLER, Brad;HOLLOWAY, Cody~ 33:US ~31:16/502,226 ~32:03/07/2019

2021/10505 ~ Complete ~54:ASSISTANCE DEVICE, DISPLAY DEVICE, ASSISTANCE METHOD, AND ASSISTANCE PROGRAM ~71:SUMITOMO HEAVY INDUSTRIES, LTD., 1-1, Osaki 2-chome, Shinagawa-ku, Tokyo, 1416025, Japan ~72: MASANORI KADOWAKI;YUTAKA AKEDO~ 33:JP ~31:2019-113699 ~32:19/06/2019

2021/10451 ~ Complete ~54:HIGH-PRESSURE COMPONENT AND MICROWAVE-ULTRASONIC COOPERATIVE HIGH-PRESSURE COMBINED APPARATUS USING THE SAME ~71:Beijing Xianghu Science And Technology Development Co.,Ltd., Room 1905, Building 2, No. 1 Shangdi Information Road, Haidian District, Beijing City, 100085, People's Republic of China ~72: HU, Wenxiang;HU, Zhaoxi;YANG, Xinwei;YANG, Xuanping~

2021/10449 ~ Complete ~54:ANTIBACTERIAL EYE DROPS AND PREPARATION METHOD THEREOF ~71:JINING UNIVERSITY, No. 1, Xing Tan Road, Qufu New District, JiNing City, Shandong, 272001, People's Republic of China;SHANDONG INOMIC INSTITUTE OF PHARMACEUTICAL RESEARCH CO.,LTD, Life Science Center, No. 1 Factory, 10th Industrial Park, Lianhua Road, High-tech Zone, Jining, Shandong, 272000, People's Republic of China ~72: LI, Mingli;LIU, Bingjun;LV, Yingkun;SUN, Liping;XING, Jinhua;ZHANG, Li~ 33:CN ~31:202110782602.7 ~32:12/07/2021

- APPLIED ON 2021/12/17 -

2021/10590 ~ Complete ~54:VERIFICATION OF DATA FIELDS OF BLOCKCHAIN TRANSACTIONS ~71:nChain Holdings Limited, Fitzgerald House, 44 Church Street, ST. JOHN'S, ANTIGUA & BARBUDA, Antigua and Barbuda ~72: DAVIES, Jack;MACKAY, Alexander;WRIGHT, Craig~ 33:GB ~31:1907349.3 ~32:24/05/2019

2021/10593 ~ Complete ~54:USING BLOCKCHAIN TRANSACTIONS TO PROVIDE OFF-CHAIN FUNCTIONALITY ~71:nChain Holdings Limited, Fitzgerald House, 44 Church Street, ST. JOHN'S, ANTIGUA & BARBUDA, Antigua and Barbuda ~72: AMMAR, Bassem;DAVIES, Jack;TARTAN, Chloe;VAUGHAN, Owen;WAHAB, Jad;WRIGHT, Craig;ZHANG, Wei~ 33:GB ~31:1907346.9 ~32:24/05/2019

2021/10511 ~ Complete ~54:NEW LINING STRUCTURE AT INGATE OF DEEP WELL ~71:Taiyuan University of Technology, No.168, Taifeng Street, Huannan City, Anhui Province, 232001, People's Republic of China ~72: Hui Li;Kun Hu;Xiang Li;Zhishu Yao~

2021/10522 ~ Complete ~54:LIGHTWEIGHT POLYMER NANOCOMPOSITE MATERIAL WITH ISOLATION STRUCTURE AND PREPARATION METHOD THEREOF ~71:Qingdao University of Science and Technology, No. 99, Songling Road, Laoshan District, Qingdao City, Shandong, 266061, People's Republic of China ~72: DU, Yuqian;LI, Lin;SONG, Shikai;WANG, Xueya;ZHAO, Feng;ZHAO, Shuai;ZHOU, Ziwen~

2021/10527 ~ Complete ~54:A SUCTION BUCKET FOR OFFSHORE WIND TURBINE AND CONSTRUCTION METHOD THEREOF ~71:Qingdao University of Technology, No. 777, Jialingjiang East Road, Huangdao Dist., Qingdao City, Shandong, People's Republic of China ~72: LI, Liang;LIU, Fushun;SHEN, Kanmin;TIAN, Zhe;WANG, Bin;YUAN, Changfeng;YUAN, Minghui~

2021/10534 ~ Complete ~54:ROCK CLASSIFICATION METHOD BASED ON DEEP LEARNING OF MICROSCOPIC IMAGES OF ROCK SLICES ~71:Jiaying University, No. 100, Meisong Road, Meijiang District, Meizhou City, Guangdong Province, 514015, People's Republic of China ~72: Xiong Yongzhu;Zhang Li~

2021/10572 ~ Complete ~54:METHOD FOR PREPARING ADSORPTION MATERIAL FOR ADSORBING RADIOACTIVE ELEMENTS AND APPLICATION ~71:Hebei Milson Titanium Dioxide Co., Ltd., Luquan Economic Development Zone, Shijiazhuang, Hebei, 050000, People's Republic of China ~72: ZHANG, Chuan;ZHANG, Jianping;ZHANG, Qian~ 33:CN ~31:201911040730.3 ~32:30/10/2019

2021/10580 ~ Complete ~54:COATING THICKNESS OPTIMIZATION AND PROGRAMMING METHOD FOR A COATING SYSTEM AND CORRESPONDING COATING SYSTEM ~71:DÜRR SYSTEMS AG, Carl-Benz-Straße 34, 74321 , Bietigheim-Bissingen, Germany ~72: CHRISTOPH HECKELER;FRANK HERRE;HANS-JÜRGEN NOLTE~ 33:DE ~31:10 2019 113 341.6 ~32:20/05/2019

2021/10606 ~ Complete ~54:OUTER NUCLEAR REACTOR VESSEL HEAT INSULATION AND INSTALLATION SYSTEM FOR THE OUTER NUCLEAR REACTOR VESSEL HEAT INSULATION ~71:JOINT STOCK COMPANY "ROSENERGOATOM", ul. Ferganskaya, 25, Russian Federation;SCIENCE AND INNOVATIONS - NUCLEAR INDUSTRY SCIENTIFIC DEVELOPMENT, PRIVATE ENTERPRISE, B. Ordynka street, d. 24, et. 8, cab. 820, Russian Federation ~72: GUBAIDULOV, Timur Muratovich;IL'YIN, Sergei Vladimirovich;MARKIN, Vladimir Vasil'evich;ZHUK, Igor Evgen'evich~ 33:RU ~31:2019139212 ~32:03/12/2019

2021/10607 ~ Complete ~54:GUIDE ASSEMBLY OF THE CORIUM LOCALIZING AND COOLING SYSTEM OF A NUCLEAR REACTOR ~71:JOINT-STOCK COMPANY "ATOMENERGOPROEKT", ul. Bakuninskaya, 7, Russian Federation;SCIENCE AND INNOVATIONS - NUCLEAR INDUSTRY SCIENTIFIC DEVELOPMENT, PRIVATE ENTERPRISE, B. Ordynka street, d. 24, et. 8, cab. 820, Russian Federation ~72: DZBANOVSKAYA, Tatyana Yaropolkovna;SIDOROV, Aleksandr Stalevich;SIDOROVA, Nadezhda Vasilievna~ 33:RU ~31:2020111301 ~32:18/03/2020

2021/10531 ~ Complete ~54:METHODS OF IMPROVING SALINE-ALKALI RESISTANCE OF GOSSYPIUM SPP ~71:Economic Crops Research Institute,Xinjiang Academy of Agricultural Sciences, No. 403 Nanchang Road,Shayibake District, Urumqi City, Xinjiang, 830091, People's Republic of China;Hunnan Cotton Science Institute, No. 3036 Shanjuan Road, Dingcheng District, Changde City, Hunan Province, 415100, People's Republic of China;Jiangsu Coastal Area Institute of Agricultural Sciences, No.9 Kaifang Road, Tinghu District, Yanchen City, Jiangsu Province, 224001, People's Republic of China;Nantong University, No. 9 Seyuan Road, Chongchuan District, Nantong City, Jiangsu Province, 226007, People's Republic of China ~72: Chen Haodong;Guo Lishuang;Kuang Zhengcheng;Li Yujun;Li Yuqiang;Wang Baohua;Wang Wei;Zheng Juyun~

2021/10562 ~ Complete ~54:A SYSTEM FOR ENHANCING PLANT IMMUNITY AND PLANT GROWTH BY USING FABRICATED ZNO-ZNFE2O4 NANOPARTICLES ~71:CENTURION UNIVERSITY OF TECHNOLOGY AND MANAGEMENT, Centurion University of Technology and Management, India ~72: PANIGRAHI, Gagan Kumar;SAHOO, Annapurna;SAHOO, Shraban Kumar~

2021/10570 ~ Complete ~54:IMPROVEMENTS IN AND RELATING TO FERTILISER COMPOSITIONS ~71:Glaze Coatings Limited, c/o - James & Wells, Level 12, KPMG Centre, 85 Alexandra Street, New Zealand ~72: ZANDER, Murray Selwin;ZANDER, Regan James~ 33:NZ ~31:756188 ~32:08/08/2019;33:NZ ~31:760305 ~32:24/12/2019

2021/10582 ~ Complete ~54:PROCESS FOR RECLAMATION OF POLYESTER BY REACTOR ADDITION ~71:OCTAL SAOC FZC, SULTANATE OF OMAN, P.O. Box 3786, Postal Code 112, Muscat, Oman ~72: JERRY BRADNAM;KLAUS HAARMANN;MOHAMMED RAZEEM;MUTEEB SIDDIQUI;NICHOLAS P BARAKAT;SEAN BROWN;TARUN JOSHI;WILLIAM J BARENBERG~ 33:US ~31:62/850,168 ~32:20/05/2019;33:US ~31:16/808,939 ~32:04/03/2020

2021/10589 ~ Complete ~54:PROTOCOL FOR VALIDATING BLOCKCHAIN TRANSACTIONS ~71:nChain Holdings Limited, Fitzgerald House, 44 Church Street, ST. JOHN'S, ANTIGUA & BARBUDA, Antigua

and Barbuda ~72: AMMAR, Bassem;DAVIES, Jack;TARTAN, Chloe;VAUGHAN, Owen;WAHAB, Jad;WRIGHT, Craig;ZHANG, Wei~ 33:GB ~31:1907345.1 ~32:24/05/2019

2021/10594 ~ Complete ~54:DC INTRA MODE PREDICTION IN VIDEO CODING ~71:QUALCOMM Incorporated, ATTN: International IP Administration, 5775 Morehouse Drive, SAN DIEGO 92121-1714, CA, USA, United States of America ~72: KARCZEWICZ, Marta;PHAM VAN, Luong;RAMASUBRAMONIAN, Adarsh Krishnan;VAN DER AUWERA, Geert~ 33:US ~31:62/864,422 ~32:20/06/2019;33:US ~31:62/866,325 ~32:25/06/2019;33:US ~31:16/905,352 ~32:18/06/2020

2021/10604 ~ Complete ~54:BLOCKCHAIN TRANSACTION COMPRISING RUNNABLE CODE FOR HASH-BASED VERIFICATION ~71:nChain Holdings Limited, Fitzgerald House, 44 Church Street, ST. JOHN'S, ANTIGUA & BARBUDA, Antigua and Barbuda ~72: DOIRON, Brock;VAUGHAN, Owen;WAHAB, Jad;WRIGHT, Craig;ZHANG, Wei~ 33:GB ~31:1907395.6 ~32:24/05/2019

2021/10611 ~ Complete ~54:CORIUM LOCALIZING AND COOLING SYSTEM OF A NUCLEAR REACTOR ~71:JOINT-STOCK COMPANY "ATOMENERGOPROJEKT", ul. Bakuninskaya, 7, Russian Federation;SCIENCE AND INNOVATIONS - NUCLEAR INDUSTRY SCIENTIFIC DEVELOPMENT, PRIVATE ENTERPRISE, B. Ordynka street, d. 24, et. 8, cab. 820, Russian Federation ~72: DZBANOVSKAYA, Tatyana Yaropolkovna;SIDOROV, Aleksandr Stalevich;SIDOROVA, Inna Sergeevna~ 33:RU ~31:2020111695 ~32:20/03/2020

2021/10578 ~ Complete ~54:POSITIVE-PRESSURE EXPLOSION-PROOF CONTROL CABINET ~71:ERGONG EXPLOSION PROOF TECHNOLOGY CO., LTD, 285 Shenghua Road, Bengbu, Anhui, 233000, People's Republic of China ~72: Chun WANG;Qian WANG;Xiangxiang WU~

2021/10509 ~ Complete ~54:METHOD FOR DETECTING HEAVY METALS IN POLYETHYLENE PLASTICS ~71:East China Normal University, No. 3663, North Zhongshan Road, Putuo District, Shanghai , 200062, People's Republic of China ~72: DENG, Hua;LI, Yue;QU, Jianguo;YANG, Jing~

2021/10513 ~ Complete ~54:GENETIC MARKER FOR DIAGNOSIS OF LIDDLE SYNDROME AND USE THEREOF IN PREPARATION OF DIAGNOSTIC KIT FOR LIDDLE SYNDROME ~71:Fuwai Hospital Chinese Academy of Medical Sciences, No.167, Beilishi Road, Xicheng District, Beijing , 100037, People's Republic of China ~72: DONG, Xueqi;GAO, Linggen;HU, Yuxiao;LIU, Yaxin;QU, Yi;WANG, Linping;YANG, Chunxue;YANG, Kunqi;ZHANG, Di;ZHOU, Xianliang~

2021/10523 ~ Complete ~54:GRAPHENE SUPPORTED SILICA HYBRID FILLER AS WELL AS PREPARATION METHOD AND APPLICATION THEREOF ~71:Qingdao University of Science and Technology, No. 99, Songling Road, Laoshan District, Qingdao City, Shandong, 266061, People's Republic of China ~72: LI, Lin;SONG, Shikai;WANG, Xueya;ZHAO, Feng;ZHAO, Shuai;ZHENG, Xingfu;ZHOU, Ziwen~

2021/10536 ~ Complete ~54:DOCUMENT IMAGE KEY INFORMATION EXTRACTION AND MATCHING METHOD BASED ON GRAPH NEURAL NETWORK ~71:Xiamen University of Technology, No. 600 Ligong Road, Jimei District, Xiamen, Fujian Province, 361024, People's Republic of China ~72: CHEN, Kunze;HUANG, Zhanqiu;HUANG, Zhicai;WANG, Dahan;WU, Yuefeng;WU, Yun;ZHOU, Wei;ZHU, Shunzhi~

2021/10553 ~ Complete ~54:POWER ELECTRONIC CONVERTER AND CONTROL METHOD BASED ON PWM DOUBLE INTEGRAL SLIDING SURFACE ~71:HCIG New-energy Co.,Ltd, Floor 8, Building A, Yuyuan Square, No.9 Yuhua West Road, Shijiazhuang City, Hebei Province, 050000, People's Republic of China;Hebei University of Science and Technology, No. 26 Yuxiang Street, Shijiazhuang, Hebei, 050000, People's Republic of China ~72: Duan Shuchun;Gao Xingchen;Guo Yingjun;Jing Yanwei;Qin Xiaoliang;Sun Hexu;Tan Jianxin;Wei Xiaoyang~

2021/10558 ~ Complete ~54:SELF-ASSEMBLY METHOD OF T7 PHAGE VIRUS-LIKE PARTICLES BASED ON SINGLE PLASMID ~71:SICHUAN UNIVERSITY, No. 24 South Section 1, Yihuan Road, Chengdu, People's Republic of China ~72: FANG, Chubin;TANG, Tian;WANG, Chuan;YANG, Jiaxue;ZHU, Yalan~

2021/10614 ~ Complete ~54:APPLICATION OF STAPHYLOCOCCUS NEPALENSIS IN DEGRADING RESIDUAL SUGAR IN ORGANIC WASTEWATER OF FERMENTATION INDUSTRY ~71:JINAN HANGCHEN BIOTECHNOLOGY CO., LTD., Room 2022, Block A, Jinan International Innovation Industrial Park, No. 2, Wanshou Road, Shizhong District, Jinan, People's Republic of China;SHANDONG CHENZHANG BIOTECHNOLOGY CO., LTD., Room 219, Building 9, Diya Shuangchuang Industrial Park, No. 2566, Century Avenue, East Street, High-tech Zone, Jinan, People's Republic of China;SHANDONG ZHUORAN BIOTECHNOLOGY CO., LTD., 203, Block A, Jinan International Innovation Design Industrial Park, No. 2, Wanshou Road, Shizhong District, Jinan, People's Republic of China ~72: LI, Baojun;LI, Kunlun;SU, Le;YUE, Qiulin;ZHAO, Chen;ZHAO, Lin~ 33:CN ~31:202011415559.2 ~32:07/12/2020

2021/10609 ~ Complete ~54:CORIUM LOCALIZING AND COOLING SYSTEM OF A NUCLEAR REACTOR ~71:JOINT-STOCK COMPANY "ATOMENERGOPROEKT", ul. Bakuninskaya, 7, Russian Federation;SCIENCE AND INNOVATIONS - NUCLEAR INDUSTRY SCIENTIFIC DEVELOPMENT, PRIVATE ENTERPRISE, B. Ordynka street, d. 24, et. 8, cab. 820, Russian Federation ~72: CHIKAN, Kristin Aleksandrovich;SIDOROV, Aleksandr Stalevich;SIDOROVA, Nadezhda Vasilievna~ 33:RU ~31:2020111299 ~32:18/03/2020

2021/10541 ~ Complete ~54:METHOD FOR CONSTRUCTING CELL LINE STABLY EXPRESSING CALCIUM ION INDICATOR PROTEIN ~71:The Second Hospital of Nanjing (The Affiliated Hospital of Nanjing University of Chinese Medicine), 1-1 Zhongfu Road, Gulou District, Nanjing City, Jiangsu Province, 210000, People's Republic of China ~72: Li Junwei;Li Xiaoyue;Xu Wanqian;Yi Yongxiang~

2021/10550 ~ Complete ~54:ALLEY SUSTAINABLE PLANTING METHOD OF MAIZE AND PEA BY FURROW RIDGE CULTURE IN DRY LAND FILM ~71:Gansu Agricultural University, NO.1 Yingmen Village, Anning District, Lanzhou City, Gansu Province, 730070, People's Republic of China ~72: Li Lingling;Luo Zhuzhu;Wang Jinbin;Wang Linlin;Xie Junhong;Zhou Yongjie~

2021/10560 ~ Complete ~54:DIRECT REDUCTION IRONMAKING DEVICE AND METHOD BASED ON BIOMASS PYROLYSIS TAR ~71:QINGDAO UNIVERSITY OF TECHNOLOGY, No. 777 Jialing River East Road, Huangdao District, Qingdao, People's Republic of China ~72: LUO, Siyi;REN, Dongdong;ZUO, Zongliang~

2021/10587 ~ Complete ~54:SECURITY INKS AND MACHINE READABLE SECURITY FEATURES ~71:SICPA HOLDING SA, Avenue de Florissant 41, PRILLY 1008, SWITZERLAND, Switzerland ~72: DEMARTIN MAEDER, Marlyse;DESPLAND, Claude-Alain;VEYA, Patrick~ 33:EP ~31:19177006.4 ~32:28/05/2019

2021/10540 ~ Complete ~54:SOFT-SHELLED TURTLE-DERIVED PEPTIDE AIMAG HAVING ACE INHIBITORY ACTIVITY AND USE THEREOF ~71:Zhejiang Shuren College (Zhejiang Shuren University), No. 2016, Jiangxia Road, Yangxunqiao Town, Keqiao District, Shaoxing City, Zhejiang, 312030, People's Republic of China ~72: JIANG, Youshui;WANG, Nan;WANG, Wei~

2021/10549 ~ Complete ~54:SYNTHESIS METHOD OF ANTHRANILIC DIAMIDE INSECTICIDE ~71:Shandong Academy of Pesticide Sciences, 234 Beiyuan Street, Jinan City, Shandong Province, 250100, People's Republic of China ~72: CONG, Yunbo;HAN, Jintao;HAO, Zesheng;JIANG, Aizhong;JIANG, Zhongping;LIU, Jun;WANG, Yingxiu;XIE, Yiping~ 33:CN ~31:202110832042.1 ~32:22/07/2021

2021/10577 ~ Complete ~54:HEAT-DISSIPATION EXPLOSION-PROOF ELECTRICAL CABINET ~71:ERGONG EXPLOSION PROOF TECHNOLOGY CO., LTD, 285 Shenghua Road, Bengbu, Anhui, Anhui, People's Republic of China ~72: Chun WANG;Qian WANG;Xiangxiang WU~

2021/10610 ~ Complete ~54:GUIDE ASSEMBLY OF THE CORIUM LOCALIZING AND COOLING SYSTEM OF A NUCLEAR REACTOR ~71:JOINT-STOCK COMPANY "ATOMENERGOPROEKT", ul. Bakuninskaya, 7, Russian Federation;SCIENCE AND INNOVATIONS - NUCLEAR INDUSTRY SCIENTIFIC DEVELOPMENT, PRIVATE ENTERPRISE, B. Ordynka street, d. 24, et. 8, cab. 820, Russian Federation ~72: DZBANOVSKAYA, Tatyana Yaropolkovna;SIDOROV, Aleksandr Stalevich;SIDOROVA, Nadezhda Vasilievna~33:RU ~31:2020110765 ~32:13/03/2020

2021/10526 ~ Complete ~54:SPR-BASED SPIRAL PHOTONIC CRYSTAL FIBER TEMPERATURE SENSOR ~71:Tangshan University, No. 9 University West Road, Tangshan City, Hebei Province , 063000, People's Republic of China ~72: JIANG, Linghong;WANG, Chao;WANG, Lixia~ 33:CN ~31:202111240321.5 ~32:25/10/2021

2021/10537 ~ Complete ~54:METHOD FOR DISCRIMINATING THE BEACH-BAR ARCHITECTURE UNITS UNDER CONSTRAINTS OF A GEOLOGICAL MODEL ~71:CNOOC Research Institute, No.25 Chaoyangmen North st, Dongcheng District, Beijing, 100028, People's Republic of China;Research Institute of Exploration Development of SINOPEC Shengli Oilfield Company, No. 258, Jinan Road, Dongying District, Dongying City, Shandong Province, 257000, People's Republic of China;SINOPEC Shengli Oilfield Company, No. 258, Jinan Road, Dongying District, Dongying City, Shandong Province, 257000, People's Republic of China;School of Geosciences,China University of Petroleum (East China), No.66 Changjiang Road West, Changjiang Road Street, West Coast New District, Qingdao City, Shandong, 266580, People's Republic of China ~72: An Tianxia;Gong Jianqiang;Li Xin;Qin Feng;Qiu Longwei;Wang Yongshi;Xie Chao~

2021/10551 ~ Complete ~54:INTELLIGENT DEVICE FOR AUTOMATICALLY CLASSIFYING DOMESTIC WASTE BASED ON NETWORK INFORMATION TECHNOLOGY ~71:ZHOU, Ruoyu, No.2999, Renmin North Road, Songjiang District, Shanghai, People's Republic of China ~72: ZHOU, Ruoyu~

2021/10564 ~ Complete ~54:UNDERWATER IMAGE ENHANCEMENT DEVICE AND METHOD TO CAPTURE AND PROCESS UNDERWATER IMAGES ~71:BHATTACHARYYA, Siddhartha, Dhakhineswari Apartment, Flat 301 Street: B. T. Road, 8 (Hold), West Bengal, India;DASGUPTA, Kousik, Department of Computer Science and Engineering, Kalyani Government Engineering College Street: Kalyani, West Bengal, India;DE, Debashis, 43 Ananda Mohan Bose Road, Dum Dum, West Bengal, India;DHAR, Soumyadip, Golpukur (Near Natunpara) Baruipur, West Bengal, India;GHOSH, Arunava, 21, C.K. Sen Road Jananagari, Rupayan-2, Agarpara, West Bengal, India;GORBACHEV, Sergey, National Research Tomsk State University, Street: 36, Leninaave, Russian Federation;GUSEV, Boris, 9, building 4, Gazetnyepereulok, Moscow, Russian Federation;KUNDU, Antu, DB-24, Deshbandhunagar, Sahapara, Baguiati West Bengal, India;KUZIN, Victor, Russian Academy of Engineering, Street: 9, building 4, Gazetnyepereulok, Russian Federation;MRSIC, Leo, Vukovarska 20, Ivanic Grad State: Zagreb, Croatia;MUKHOPADHYAY, Arunarka, Chaprasi Lane, West Bengal, India;PLATOS, Jan, VSB Technical University of Ostrava, Street: 7. Listopadu 2172/15, Czech Republic;ROY, Hiranmoy, SD Tower, Block-I, Flat-2PP, AA101 Prafullakanan Road West, Kestopur West Bengal, India;ROY, Soham, Old Calcutta Road, Regent Park West Bengal, India;YUE, Dong, 3-302, 98 Jiang Wang Miao Street, Xuanwu District, Jiangsu, People's Republic of China ~72: BHATTACHARYYA, Siddhartha;DASGUPTA, Kousik;DE, Debashis;DHAR, Soumyadip;GHOSH, Arunava;GORBACHEV, Sergey;GUSEV, Boris;KUNDU, Antu;KUZIN, Victor;MRSIC, Leo;MUKHOPADHYAY, Arunarka;PLATOS, Jan;ROY, Hiranmoy;ROY, Soham;YUE, Dong~

2021/10569 ~ Complete ~54:ANTHRACYCLINE DERIVATIVES ~71:ALMAC DISCOVERY LIMITED, Almac House, 20 Seagoe Industrial Estate, Craigavon, United Kingdom ~72: COTTON, Graham;THOM, Jennifer;TRUMPER, Paul~ 33:GB ~31:1908886.3 ~32:20/06/2019

2021/10581 ~ Complete ~54:THREE-DIMENSIONAL PUZZLE ~71:DIZER AB, Granshult 8, 574 76, Korsberga, Sweden ~72: LINUS DUNKERS~ 33:SE ~31:1950604-7 ~32:21/05/2019

2021/10600 ~ Complete ~54:TREATMENT OF SYSTOLIC DYSFUNCTION AND HEART FAILURE WITH REDUCED EJECTION FRACTION WITH THE COMPOUND(R)-4-(1-((3-(DIFLUOROMETHYL)-1-METHYL-1H-PYRAZOL-4-YL)SULFONYL)-1-FLUOROETHYL)-N-(ISOXAZOL-3-YL)PIPERIDINE-1-CARBOXAMIDE ~71:MyoKardia, Inc., 1000 Sierra Point Parkway, BRISBANE 94005, CA, USA, United States of America ~72: CARLSON, Timothy;TAMBY, Jean-Francois;YANG, Chun~ 33:US ~31:62/849,936 ~32:19/05/2019;33:US ~31:62/852,739 ~32:24/05/2019

2021/10605 ~ Complete ~54:DEVICE FOR INSTALLATION OF THE OUTER HEAT INSULATION OF A NUCLEAR REACTOR VESSEL ~71:JOINT STOCK COMPANY "ROSENERGOATOM", ul. Ferganskaya, 25, Russian Federation;SCIENCE AND INNOVATIONS - NUCLEAR INDUSTRY SCIENTIFIC DEVELOPMENT, PRIVATE ENTERPRISE, B. Ordynka street, d. 24, et. 8, cab. 820, Russian Federation ~72: GUBAIDULOV, Timur Muratovich;IL'YIN, Sergei Vladimirovich;KOLUSHOV, Aleksandr Vasil'evich;STANKEVICH, Svetlana Leonidovna;ZHUK, Igor Evgen'evich~ 33:RU ~31:2019139213 ~32:03/12/2019

2021/10603 ~ Complete ~54:BLOCKCHAIN TRANSACTION COMPRISING RUNNABLE CODE FOR HASH-BASED VERIFICATION ~71:nChain Holdings Limited, Fitzgerald House, 44 Church Street, ST. JOHN'S, ANTIGUA & BARBUDA, Antigua and Barbuda ~72: DOIRON, Brock;WAHAB, Jad;WRIGHT, Craig;ZHANG, Wei~ 33:GB ~31:1907392.3 ~32:24/05/2019

2021/10530 ~ Complete ~54:MEDICATED BATHROOM FOR PREVENTING AND TREATING SHEEP PARASITOSIS ~71:ANIMAL HUSBANDRY AND VETERINARY BRANCH, HEILONGJIANG ACADEMY OF AGRICULTURAL SCIENCES, NO.2, HEYI STREET, LONGSHA DISTRICT, QIQIHAR CITY, People's Republic of China ~72: JIN, Zhenhua;LI, Ye;LIU, Huishu;LIU, Junchao;LIU, Yufeng;LU, Lingyan;LV, Siwen;QIU, Jinghui;SUN, Lei;WANG, Likun;XIAO, Yongwei;XU, Man;XUE, Zhanmei;ZHANG, Bei;ZHANG, Guohua;ZHANG, Ying~

2021/10588 ~ Complete ~54:INSTANT COFFEE POWDER ~71:Société des Produits Nestlé S.A., Avenue Nestlé 55, VEVEY 1800, SWITZERLAND, Switzerland ~72: KESSLER, Ulrich;LESER, Martin;MEUNIER, Vincent Daniel Maurice;PALZER, Stefan;SEDIVÁ, Zuzana;WINDHAB, Erich Josef~ 33:EP ~31:19178519.5 ~32:05/06/2019

2021/10538 ~ Complete ~54:INORGANIC ANTI-CORROSIVE FIREPROOF COATING AND PREPARATION METHOD THEREOF ~71:Henan sunshine anticorrosive coating Co., Ltd, Mengde Road, Industrial Cluster District, Qingfeng County, Puyang City, Henan Province, 457000, People's Republic of China ~72: LIU, Chuanyong;QIU, Hailing;XU, Ruifang;YAO, Dong;YAO, Xuewen~

2021/10591 ~ Complete ~54:KNOWLEDGE PROOF ~71:nChain Holdings Limited, Fitzgerald House, 44 Church Street, ST. JOHN'S, ANTIGUA & BARBUDA, Antigua and Barbuda ~72: DOIRON, Brock;WAHAB, Jad;WRIGHT, Craig;ZHANG, Wei~ 33:GB ~31:1907397.2 ~32:24/05/2019

2021/10573 ~ Complete ~54:PREPARATION AND APPLICATION OF TERMINUS BASE CYTOMETRIC FLUORESCENCE SEQUENCING MICROSPHERES ~71:Qilu University of Technology, 3501, Daxue road, Changqing district, Jinan city, Shandong province, 250000, People's Republic of China ~72: Lan WenJun~ 33:CN ~31:201910700888.2 ~32:31/07/2019

2021/10579 ~ Complete ~54:COMPOSITION FOR PREVENTING THE FORMATION OF SEEDS IN FRUIT ~71:ASOCIACION CLUB DE VARIEDADES VEGETALES PROTEGIDAS, Avenida Cortes Valencianas n° 58, 1° 17', 10, Spain; UNIVERSITAT POLITÈCNICA DE VALÈNCIA, Camino de Vera, s/n, Spain ~72: GARCÍA BREIJO, Francisco José; GARMENDIA SALVADOR, Alfonso; MERLE FARINÉS, Hugo Basilio; RAIGÓN JIMÉNEZ, Mª Dolores~

2021/10515 ~ Complete ~54:ROCK MASS DAMAGE MONITORING METHOD IN ROCK FOUNDATION PIT EXCAVATION PROCESS ~71:CHINA RAILWAY 19TH BUREAU GROUP FIFTH ENGINEERING CO., LTD., No. 586, Yongzheng Street, Jinzhou District, Dalian, Liaoning, 116100, People's Republic of China; QINGDAO UNIVERSITY OF TECHNOLOGY, No. 777, Jialingjiang East Road, Huangdao District, Qingdao, Shandong, 266520, People's Republic of China ~72: DU, Mingqing; LIU, Dejin; LIU, Fei; LIU, Sijia; MA, Tianhui; MIAO, Jijun; NI, Xiangyang; TANG, Chun'an; WANG, Yan; WU, Honggang; YAN, Mingdong; ZHANG, Weiguo; ZHANG, Yongjun; ZHAO, Jie; ZHU, Ming~

2021/10535 ~ Complete ~54:PROBIOTIC AGENT SUITABLE FOR CHLORELLA VULGARIS, PREPARATION METHOD AND APPLICATION THEREOF ~71:Xuzhou University of Technology, No.2, Lishui Road, Yunlong District, Xuzhou City, Jiangsu Province, 221000, People's Republic of China ~72: Hou Jinhui~

2021/10545 ~ Complete ~54:MEASUREMENT METHOD OF NORMAL HEIGHT DIFFERENCE BETWEEN TWO GROUND POINTS ~71:Duan Hurong, 1-802, North building, Mingyuan garden, Changcheng Road, Jingbian County, Yulin City, Shaanxi Province, 719000, People's Republic of China; Lei Junzhen, 1-802, North building, Mingyuan garden, Changcheng Road, Jingbian County, Yulin City, Shaanxi Province, 719000, People's Republic of China ~72: Duan Hurong; Lei Junzhen~

2021/10557 ~ Complete ~54:MARINE FUNGUS FERMENTED EXTRACT AND USE THEREOF AS ANTI-SENILE DEMENTIA DRUG ~71:ZHOUSHAN FISHERIES RESEARCH INSTITUTE OF ZHEJIANG, No. 55 Jinsha Avenue, Zhujiajian Street, Putuo District, Zhoushan City, People's Republic of China ~72: CHEN, Shuang; LI, Weiye; MA, Xuebin; XU, Zhijin; YIN, Xiaolong; ZHANG, Xia~

2021/10565 ~ Complete ~54:N-METHYL, N-(6-(METHOXY)PYRIDAZIN-3-YL) AMINE DERIVATIVES AS AUTOTAXIN (ATX) MODULATORS FOR THE TREATMENT OF INFLAMMATORY AIRWAY OR FIBROTIC DISEASES ~71:BOEHRINGER INGELHEIM INTERNATIONAL GMBH, Binger Strasse 173, Germany ~72: GODBOUT, Christian; KOOLMAN, Hannes; FIEPKO, Christian; ROTH, Gerald Juergen~ 33:EP ~31:19187616.8 ~32:22/07/2019

2021/10584 ~ Complete ~54:WEIGH-IN-MOTION SYSTEM WITH CHANNEL DATA ~71:RINSTRUM PTY., LTD., 41 Success Street, Acacia Ridge, Queensland, 4110, Australia ~72: DARREN PEARSON~ 33:US ~31:62/857,943 ~32:06/06/2019

2021/10613 ~ Complete ~54:METHOD FOR DEFINING A PERSONALIZED VACCINE AGAINST HIV/AIDS ~71:CUNHA, Daniele Lunha da, Rua Guararapes, n° 225, AP 114, Brooklyn, Brazil; DIAZ, Ricardo, Alameda das Castanheiras 576, Aldeia da Serra, Brazil; SAVARINO, Andrea, Via Rocciamelone, Italy; SHYTAJ, Iart, Am B&C;chenbuckel, Germany ~72: DIAZ, Ricardo; SAVARINO, Andrea; SHYTAJ, Iart~ 33:US ~31:62/859,286 ~32:10/06/2019

2021/10518 ~ Complete ~54:CHARACTERIZATION METHOD OF RUBBER WEARING LOSS ~71:Qingdao University of Science and Technology, 99 Songling Road, Laoshan District, Qingdao, Shandong Province, 266100, People's Republic of China ~72: HU, Shanjun; MA, Lianxiang; QIU, Xingwen; WANG, Chuansheng; YIN, Haishan~

2021/10524 ~ Complete ~54:FLAME-RETARDANT PROTECTIVE COATING OF RUBBER AND PLASTIC PRODUCTS AND PREPARATION METHOD THEREOF ~71:Qingdao University of Science and Technology, No. 99, Songling Road, Laoshan District, Qingdao City, Shandong, 266061, People's Republic of China ~72: LI, Lin;SONG, Shikai;WANG, Jingchao;WANG, Xueya;ZHAO, Feng;ZHAO, Shuai;ZHOU, Ziwen~

2021/10574 ~ Complete ~54:LONG TUNNEL WATER DRAINAGE SYSTEM ~71:JIAXING JINXILAI TECHNOLOGY CO. LTD, 299 Hangfu Road, Chongfu Town, Tongxiang Jiaxing, Zhejiang, 314511, People's Republic of China ~72: LV, Yan~ 33:CN ~31:201911160040.1 ~32:23/11/2019

2021/10516 ~ Complete ~54:BIM STANDARDIZED MODELING METHOD FOR HIGH-SPEED RAILWAY SWIVEL BRIDGE ~71:QINGDAO UNIVERSITY OF TECHNOLOGY, No. 777, Jialingjiang East Road, Huangdao District, Qingdao, Shandong, 266520, People's Republic of China ~72: CHEN, Bing;HU, Tongxu;HUA, Yuan;JIA, Wei;LIU, Hongzhi;LIU, Yanchun;MIAO, Jijun;SUN, Mengzhuo;WU, Honggang;XIAO, Jianzhuang;ZHANG, Weiguo;ZHANG, Yongjun~

2021/10528 ~ Complete ~54:NOVEL DETACHABLE SUPPORTING DEVICE ~71:ANHUI JIANZHU UNIVERSITY, NO.292, ZIYUN ROAD, People's Republic of China ~72: LI, DAHUA;LIN, WENYU;MENG, FANYI;SHI, GUODONG;WAN, DONGLIN;WANG, XINCHENG~

2021/10595 ~ Complete ~54:MAGE-A4 T CELL RECEPTORS AND METHODS OF USE THEREOF ~71:Regeneron Pharmaceuticals, Inc., 777 Old Saw Mill River Road, TARRYTOWN 10591, NY, USA, United States of America ~72: BOWERMAN, Natalie;GURER, Cagan;HANSEN, Johanna~ 33:US ~31:62/862,726 ~32:18/06/2019;33:US ~31:62/871,793 ~32:09/07/2019

2021/10548 ~ Complete ~54:METHOD FOR PREVENTING AND CONTROLLING MELOIDOGYNE SPP. OF VEGETABLE IN PROTECTED FIELD ~71:LINYI UNIVERSITY, Middle Section of Shuangling Road, Lanshan District, Linyi City, Shandong, 276013, People's Republic of China ~72: FENG, Guifang~

2021/10554 ~ Complete ~54:METHODS OF TREATING CANCER USING PD-1 AXIS BINDING ANTAGONISTS AND TIGIT INHIBITORS ~71:GENENTECH, INC., 1 DNA Way, South San Francisco, California, 94080, United States of America ~72: BRYAN IRVING;DAN EATON;JANE GROGAN;JASON HACKNEY;KRISTIN BOWLES;LAETITIA COMPS-AGRAR;ROBERT J JOHNSTON;XIN YU~ 33:US ~31:61/846,941 ~32:16/07/2013;33:US ~31:61/865,582 ~32:13/08/2013;33:US ~31:61/950,754 ~32:10/03/2014;33:US ~31:61/985,884 ~32:29/04/2014;33:US ~31:61/992,109 ~32:12/05/2014

2021/10568 ~ Complete ~54:TECHNIQUE FOR PRECISE SITE-SPECIFIC RNA SHEARING IN FISH EMBRYO ~71:FU ZHOU UNIVERSITY, No. 2, North Wulongjiang Road, Fuzhou University City, Minhou County, Fuzhou, Fujian, 350108, People's Republic of China ~72: HE, Xiaozhen;ZHONG, Lili~ 33:CN ~31:201910994671.7 ~32:18/10/2019

2021/10575 ~ Complete ~54:DEBRIS FLOW PREVENTION SYSTEM ~71:JIAXING JINXILAI TECHNOLOGY CO. LTD, 299 Hangfu Road, Chongfu Town, Tongxiang City Jiaxing, Zhejiang, 314511, People's Republic of China ~72: LV, Yan~ 33:CN ~31:201911157147.0 ~32:22/11/2019

2021/10602 ~ Complete ~54:METHOD OF PROVIDING SAFE ADMINISTRATION OF AN ANTI-CD40 ANTIBODY ~71:Janssen Biotech, Inc., 800/850 Ridgeview Drive, HORSHAM 19044, PA, USA, United States of America ~72: STREIT, Michael~ 33:US ~31:62/853,488 ~32:28/05/2019

2021/10508 ~ Complete ~54:CHEILINUS UNDULATUS CONSERVATION METHOD ~71:Hainan Academy of Ocean and Fisheries Sciences, No. 12, Baiju Avenue, Haikou City, Hainan Province, 571126, People's Republic of China ~72: FU, Shuyuan;GAO, Jin;GUO, Yilan;TAN, Wei;WANG, Yongbo~

2021/10546 ~ Complete ~54:LIGHT WEIGHTING METHOD FOR A THREE-DIMENSIONAL MODEL
~71:Chinese Academy of Surveying and Mapping, No. 28, Lianhuachi West Road, Haidian District, Beijing, 100036, People's Republic of China ~72: GAO, Wujun;JIANG, Bin;MA, Weijun;MAO, Xi;SHEN, Tao;WANG, Jizhou;WANG, Zhangpeng;YIN, Hongmei;ZHAO, Lixin;ZHAO, Zhanjie~ 33:CN ~31:202111028118.1
~32:02/09/2021

2021/10552 ~ Complete ~54:ANTI-FALSE NETWORK INFORMATION TECHNOLOGY FOR SUPPLY AND DEMAND INFORMATION BACKGROUND AUDITING AND RELEASE ~71:ZHOU, Ruoyu, No.2999, Renmin North Road, Songjiang District, Shanghai, People's Republic of China ~72: ZHOU, Ruoyu~

2021/10559 ~ Complete ~54:METHOD AND DEVICE FOR PRODUCING LOW-ASH CARBON BLACK THROUGH PYROLYSIS OF WASTE TIRES ~71:QINGDAO UNIVERSITY OF TECHNOLOGY, No. 777 Jialing River East Road, Huangdao District, Qingdao, People's Republic of China ~72: LUO, Siyi;REN, Dongdong;ZUO, Zongliang~

2021/10566 ~ Complete ~54:1-(6-(METHOXY)PYRIDAZIN-3-YL)CYCLOPROPANE-1-CARBOXAMIDE DERIVATIVES AS AUTOTAXIN (ATX) MODULATORS FOR THE TREATMENT OF INFLAMMATORY AIRWAY DISEASES ~71:BOEHRINGER INGELHEIM INTERNATIONAL GMBH, Binger Strasse 173, Germany ~72: BRETSCHNEIDER, Tom;GODBOUT, Cédrickx;KOOLMAN, Hannes, Fiepko;KUTTRUFF, Christian, Andreas;MARTYRES, Domnic;ROTH, Gerald, Juergen~ 33:EP ~31:19187614.3 ~32:22/07/2019

2021/10585 ~ Complete ~54:POTASSIUM SALT CRYSTAL FORM B OF PHOSPHODIESTERASE TYPE 5 INHIBITOR, AND PREPARATION METHOD AND USE THEREFOR ~71:GUANGZHOU HUAZHEN PHARMACEUTICAL CO., LTD., No. 427, A4 Building, No. 3, Science Road Science City, High-tech Development Zone, Guangzhou, Guangdong, 510663, People's Republic of China ~72: ALLAN ZIJIAN ZHAO;FANGHONG LI;HUIDAN ZHU;YUNPING MU;ZHENGANG ZHAO~ 33:CN ~31:201910505948.5 ~32:12/06/2019

2021/10599 ~ Complete ~54:DEVICE FOR EJECTING AMMUNITION LINKS ~71:John Cockerill Defense SA, Rue Alfred Deponthière, 44, LONCIN 4431, BELGIUM, Belgium ~72: COLOMINE, Anthony;GRITSKEVITCH, Innokenty~ 33:EP ~31:19175940.6 ~32:22/05/2019

2021/10517 ~ Complete ~54:DOOR LOCK SYSTEM BASED ON WEAK RADIOACTIVE SOURCE ~71:Southwest University, School of Physical Science and Technology, Southwest University, Beibei District, Chongqing, 400700, People's Republic of China ~72: LI, Jiaxing;LIU, Pingping~

2021/10544 ~ Complete ~54:REMOTE MONITORING DEVICE AND VERIFICATION METHOD FOR DIESEL ENGINE ~71:Anhui Baolong Environmental Protection Technology Co., Ltd., No. 18, Yangqiao Road, Shushan New Industrial Park, Shushan District, Hefei City, Anhui Province, 230031, People's Republic of China;BEIJING INSTITUTE OF TECHNOLOGY, No. 5, Zhongguancun South Street, Haidian District, Beijing, 100081, People's Republic of China ~72: GE, Zihao;HAO, Lijun;LIU, Jin;TAN, Jianwei;WANG, Xiaohu;WANG, Xin;WANG, Zengfu;WU, Junjie;ZHAO, Zhouhui~

2021/10555 ~ Complete ~54:IMPROVED PROCESS FOR PREPARING IMETELSTAT ~71:GERON CORPORATION, 149 Commonwealth Drive, Menlo Park, California, 94025, United States of America ~72: DINESH GALA;JALE MUSLEHIDDINOGLU;JENNIFER ELIZABETH ALBANEZE-WALKER~ 33:EP ~31:17180426.3 ~32:10/07/2017

2021/10571 ~ Complete ~54:SYSTEM, APPARATUS, AND METHOD TO PERFORM LEVELING FOR BOREHOLE DRILLS ~71:PECK TECH CONSULTING LTD., 447 Rue St. Claude, Montreal, Canada ~72: GARIEPY, Francois;PYKE, Sandy~ 33:US ~31:62/873,700 ~32:12/07/2019;33:US ~31:16/925,417 ~32:10/07/2020

2021/10576 ~ Complete ~54:COASTAL SLOPE DRAINAGE SYSTEM ~71:TONGXIANG BEITE TECHNOLOGY CO. LTD, 1 Zhenzhi Street, Chongfu Town, Tongxiang City Jiaxing, Zhejiang, 314511, People's Republic of China ~72: YAO, Fangying;ZHOU, Juanru~ 33:CN ~31:201911159950.8 ~32:23/11/2019

2021/10597 ~ Complete ~54:NOVEL COMPOUNDS AND PHARMACEUTICAL COMPOSITIONS THEREOF FOR THE TREATMENT OF DISEASES ~71:Galapagos NV, Generaal De Wittelaan L11/A3, MECHELEN 2800, BELGIUM, Belgium ~72: ALVEY, Luke Jonathan;BONNATERRE, Florence Marie-Emilie;BUCHER, Denis;DESROY, Nicolas;DUTHION, Béranger;JARY, Hélène Marie;PEIXOTO, Christophe;TEMAL-LAÏB, Taoues;TIRERA, Amynata~ 33:GB ~31:1907616.5 ~32:29/05/2019

2021/10507 ~ Provisional ~54:ELECTRIC WATER HEATING APPARATUS ~71:DIEDERIKS, Franco, 22 Matroosberg Street, Noordheuwel, South Africa ~72: DIEDERIKS, Franco~

2021/10512 ~ Complete ~54:SOXHLET EXTRACTION METHOD FOR CHAENOMELES PLANT SEED OIL ~71:Guizhou Normal University, School of Life Sciences, Guizhou Normal University, University Town, Huaxi District, Guiyang City, Guizhou Province, 550025, People's Republic of China ~72: CHEN, Zhengwei;HU, Xian;LI, Li;LUO, Lilin;WANG, Xulin;WEI, Yun~ 33:CN ~31:202111270417.6 ~32:29/10/2021

2021/10521 ~ Complete ~54:INDOOR TEST METHOD OF TIRE WET SKID RESISTANCE ~71:Qingdao University of Science and Technology, 99 Songling Road, Laoshan District, Qingdao, Shandong Province, 266100, People's Republic of China ~72: HOU, Dandan;LI, Shaoming;QIU, Xingwen;YIN, Haishan;ZHANG, Chunsheng~

2021/10542 ~ Complete ~54:SAFETY EVALUATION METHOD OF EXISTING ARCHITECTURAL CURTAIN WALLS ~71:Zhengzhou University of Aeronautics, No. 2, Middle University Road, Zhengzhou City, Henan Province, People's Republic of China ~72: Chen Meilin;Dai Jiawen;Gao Jianjun;Hao Xiaoyan;Li Liang;Lyu Jinghui;Wang Jibing;Zeng Qinyu;Zhang Daying;Zhao Zihao~

2021/10556 ~ Complete ~54:BLAST HOLE TAMPING PLUG ~71:IPTREE TRUST (TRUST NUMBER 503/2009), 5 Libertas Road, Somerset Office Park, Bullseye Building, Bryanston,, South Africa ~72: BÜHRMANN, Rudolph Teodor~ 33:ZA ~31:2020/07366 ~32:26/11/2020

2021/10583 ~ Complete ~54:COMPOSITION FOR THE PROTECTION AND REPAIR OF THE BLOOD BRAIN BARRIER ~71:CENTRE NATIONAL DE LA RECHERCHE SCIENTIFIQUE, 3, rue Michel Ange, 75016, PARIS, France;DENIS BARRITAU, 4 rue Française 75001 Paris, France;ORGANES TISSUS REGENERATION REPARATION REMPLACEMENT, 4 rue Française 75001 Paris, France;UNIVERSITE DE CAEN NORMANDIE, Esplanade de la Paix, 14000, Caen, France ~72: DENIS BARRITAU;JÉROME TOUTAIN;MYRIAM BERNAUDIN;OMAR TOUZANI;YACINE KHELIF~ 33:FR ~31:FR1905566 ~32:27/05/2019

2021/10598 ~ Complete ~54:CERTIFIED TEXT DOCUMENT ~71:SICPA HOLDING SA, Avenue de Florissant 41, PRILLY 1008, SWITZERLAND, Switzerland ~72: DECOUX, Eric~ 33:EP ~31:19177919.8 ~32:03/06/2019

2021/10563 ~ Complete ~54:A PROCESS FOR SYNTHESIZING N-(6,12-DIOXO-6,12 DIHYDROINDOLO[2,1-B]QUINAZOLIN-8-YL)BENZENESULFONAMIDE DERIVATIVES FOR ANTICANCER ACTIVITIES ~71:Divya, Rungta College of Pharmaceutical Sciences & Research, Rungta educational campus, Near nadanvan, India;KORE, Rakesh, Department of Pharmacy, Guru Ghasidas University, India;PARMAR, Poonam, Department of Pharmacy, Guru Ghasidas University, India;PATEL, Preeti, Department of Pharmacy, Guru Ghasidas University, Bilaspur-495 009(CG) India and Department of Pharmaceutical Chemistry, ISF College of Pharmacy, India;PATEL, Vijay Kumar, Department of Pharmacy, Guru Ghasidas University, India;RAJAK, Harish, Department of Pharmacy, Guru Ghasidas University, India;SHIRBHATE, Ekta, Department of Pharmacy, Guru Ghasidas University, India;TIWARI, Priya, Department of Pharmacy, Guru Ghasidas University,

India;VEERASAMY, Ravichandran, Head, Pharmaceutical Chemistry Unit, Faculty of Pharmacy, AIMST University, Malaysia ~72: Divya;KORE, Rakesh;PARMAR, Poonam;PATEL, Preeti;PATEL, Vijay Kumar;RAJAK, Harish;SHIRBHATE, Ekta;TIWARI, Priya;VEERASAMY, Ravichandran~

2021/10510 ~ Complete ~54:TRACTION TYPE NO-TILLAGE PRECISION SEEDER ~71:Heilongjiang Academy of Agricultural Machinery Sciences, No.156 Haping Road, Nangang District, Harbin City, Heilongjiang Province, People's Republic of China ~72: Hao Lei;Jin Xiaoyan;Lan Haitao;Li Cunbin;Li Dexin;Liang Yucheng;Lin Juntang;Nie Meiling;Qi Zhongjun;Sun Shiming;Wang Haiyang;Wang Tao;Wang Xiaoyong;Xie Yufeng;Xing Lulu;Xu Jianping;Yang Jinzhuang;Ye Tong;Zhou Weiyang;Zou Xuejian~

2021/10514 ~ Complete ~54:ARTILLERY PROJECTILE WITH SEPARABLE PROJECTILE BASE FOR REDUCED MASS AND EXTENDED RANGE ~71:North University of China, 3 Xueyuan Road, Taiyuan City, Shanxi Province, 030051, People's Republic of China ~72: CHEN, Zhigang;GUO, Baoquan;PAN, Yutian;WANG, Baoguo;ZHAO, Xiaoyao;ZHAO, Yongjuan~

2021/10543 ~ Complete ~54:METHOD FOR PREPARING HIGH-PERFORMANCE PAL MATERIAL BY USING NON-METALLIC MINERAL PALLYGORSKITE ~71:Shandong University of Science and Technology, No. 579, Qianwangang Road, Huangdao District, Qingdao, Shandong Province, 266590, People's Republic of China ~72: Gao Dengzheng;Guo Qingbin;Liu Lihua;Wang Li;Xue Zhen~

2021/10519 ~ Complete ~54:SAFETY MONITORING AND EARLY WARNING METHOD AND SYSTEM, STORAGE MEDIUM AND EARLY WARNING PLATFORM FOR SWIVEL BRIDGE ~71:QINGDAO UNIVERSITY OF TECHNOLOGY, No. 777, Jialingjiang East Road, Huangdao District, Qingdao, Shandong, 266520, People's Republic of China;THE FOURTH CONSTRUCTION CO., LTD OF CHINA CONSTRUCTION EIGHTH ENGINEERING DIVISION, Zhongjian Building, No.169 Songling Road, Laoshan District, Qingdao, Shandong, 266100, People's Republic of China ~72: DING, Dangsheng;GUO, Wei;HU, Tongxu;LI, Mingfei;LI, Shuguang;LIU, Bing;LIU, Jijian;SUN, Bo;WANG, Junyi;WANG, Qingsong;WANG, Yan;ZHANG, Yongjun~

2021/10561 ~ Complete ~54:A SYSTEM FOR SYNTHESIZING ZNO-ZNFE₂O₄ NANOPARTICLES AND INVESTIGATING THEIR ROLE IN THE WASTE WATER REMEDIATION ~71:CENTURION UNIVERSITY OF TECHNOLOGY AND MANAGEMENT, School of Applied Sciences, Centurion University of Technology and Management, India ~72: DALBEHERA, Anusha;PANIGRAHI, Gagan Kumar;PRADHAN, Arun Kumar;SAHOO, Annapurna;SAHOO, Shraban Kumar;SATAPATHY, Kunja Bihari~

2021/10567 ~ Complete ~54:N-METHYL, N-(6-(METHOXY)PYRIDAZIN-3-YL) AMINE DERIVATIVES AS AUTOTAXIN (ATX) MODULATORS FOR THE TREATMENT OF INFLAMMATORY AIRWAY OR FIBROTIC DISEASES ~71:BOEHRINGER INGELHEIM INTERNATIONAL GMBH, Binger Strasse 173, Germany ~72: BRETSCHNEIDER, Tom;GODBOUT, Cédrickx;KOOLMAN, Hannes, Fiepko;KUTTRUFF, Christian, Andreas;MARTYRES, Dornic;ROTH, Gerald Juergen~ 33:EP ~31:19187617.6 ~32:22/07/2019

2021/10586 ~ Complete ~54:SLIDE CLOSURE FOR VESSEL CONTAINING MOLTEN METAL ~71:VESUVIUS GROUP, S.A., rue de Douvrain 17, 7011, Ghlin, Belgium ~72: FABRICE SIBIET;JASON QUINN;JEFFREY BUTTS;MARIANO COLLURA;STEPHEN J ADAMS~ 33:EP ~31:19181862.4 ~32:21/06/2019

2021/10601 ~ Complete ~54:COMBINATION THERAPY ~71:Dana-Farber Cancer Institute, Inc., 450 Brookline Avenue, BP376, BOSTON 02215, MA, USA, United States of America;MedImmune, LLC, One MedImmune Way, GAITHERSBURG 20878, MD, USA, United States of America ~72: ANDERSON, Kenneth;COATS, Steven;KINNEER, Krista;TAI, Yu-Tzu;TICE, David Alan~ 33:US ~31:62/855,040 ~32:31/05/2019;33:US ~31:62/944,698 ~32:06/12/2019

2021/10520 ~ Complete ~54:TUNNEL WIND PRESSURE VISUAL MONITORING METHOD, SYSTEM, STORAGE MEDIUM AND DEVICE ~71:CHINA RAILWAY 19TH BUREAU GROUP FIFTH ENGINEERING CO., LTD., No. 586, Yongzheng Street, Jinzhou District, Dalian, Liaoning, 116100, People's Republic of China;QINGDAO UNIVERSITY OF TECHNOLOGY, No. 777, Jialingjiang East Road, Huangdao District, Qingdao, Shandong, 266520, People's Republic of China ~72: DU, Mingqing;HUA, Yuan;LIU, Hongzhi;LIU, Yanchun;MIAO, Jijun;SUN, Mengzhuo;WANG, Fulai;WANG, Guanqun;WANG, Yan;XIAO, Jianzhuang;XU, Meng;YAN, Mingdong;ZHANG, Yongjun;ZHANG, Zhenyuan;ZHAO, Jie~

2021/10525 ~ Complete ~54:DEVICE AND METHOD FOR REAL-TIME MONITORING TEMPERATURE DYNAMIC CHANGE IN DESTRUCTION PROCESS OF COAL CONTAINING GAS ~71:ANHUI UNIVERSITY OF SCIENCE AND TECHNOLOGY, No. 168, Taifeng Road, Huainan City, Anhui Province, 232001, People's Republic of China ~72: CHEN, Chen;LI, Ling;WANG, Xiaorui;ZHANG, Qinghe;ZHENG, Tianle~

2021/10529 ~ Complete ~54:TEST BOX FOR DETECTING BRUCELLA AND FAECAL EGGS ~71:ANIMAL HUSBANDRY AND VETERINARY BRANCH, HEILONGJIANG ACADEMY OF AGRICULTURAL SCIENCES, NO.2, HEYI STREET, LONGSHA DISTRICT, QIQIHAR CITY, People's Republic of China ~72: GUO, Lihong;HAI, Long;HAO, Caihong;HUANG, Xinyu;JIN, Zhenhua;LIU, Huishu;LIU, Jiayu;LIU, Junchao;LIU, Yufeng;LU, Lingyan;QIU, Jinghui;SUN, Lei;TONG, Guizhi;WANG, Likun;XU, Man;ZHANG, Bei;ZHANG, Ying;ZHANG, Zhufeng~

2021/10596 ~ Complete ~54:CONTINUOUS-FLOW ELECTROMAGNETIC-INDUCTION FLUID HEATER IN A VENDING MACHINE FOR PREPARING BEVERAGES ~71:Rheavendors Services S.P.A., Via Valleggio, 2/BIS, COMO 22100, ITALY, Italy ~72: BRUZZESE, Fabio~ 33:IT ~31:102019000009384 ~32:18/06/2019

2021/10612 ~ Complete ~54:FLOW PATH MEMBER FOR GENERATING NANO-BUBBLES, AND INTEGRATED FLOW PATH UNIT AND NANO-BUBBLE GENERATOR USING SAME ~71:YOO, Young Ho, 422-1001 Dangsan-ro, 214 Yeongdeungpo-gu, Seoul, 07214, Republic of Korea ~72: YOO, A Ram;YOO, Tae Geun;YOO, Young Ho~ 33:KR ~31:10-2019-0064273 ~32:31/05/2019

2021/10532 ~ Complete ~54:SYSTEM AND PROCESS FOR PURIFYING AND RECYCLING FECAL SEWAGE BASED ON PHYSICOCHEMICAL METHOD ~71:Tongji University, No. 1239, Siping Road, Yangpu District, Shanghai, 200092, People's Republic of China ~72: DAI, Xiaohu;LIU, Zhigang;MAO, Yunfeng;WU, Deli~ 33:CN ~31:202110319449.4 ~32:25/03/2021

2021/10539 ~ Complete ~54:SOFT-SHELLED TURTLE-DERIVED PEPTIDE HDTYYVVAH HAVING ACE INHIBITORY ACTIVITY AND USE THEREOF ~71:Zhejiang Shuren College (Zhejiang Shuren University), No. 2016, Jiangxia Road, Yangxunqiao Town, Keqiao District, Shaoxing City, Zhejiang, 312030, People's Republic of China ~72: JIANG, Youshui;WANG, Nan;WANG, Wei~

2021/10547 ~ Complete ~54:RESEARCH METHOD OF REAL-TIME COMPLEMENTARY TRACKING ALGORITHM UNDER HIGH CONFIDENCE UPDATING STRATEGY ~71:Southwest Petroleum University, No. 8, Xindu Avenue, Xindu District, Chengdu, Sichuan Province, 610599, People's Republic of China ~72: Gu Yaxiong;Zheng Changjiang~

2021/10608 ~ Complete ~54:CORIUM LOCALIZING AND COOLING SYSTEM OF A NUCLEAR REACTOR ~71:JOINT-STOCK COMPANY "ATOMENERGOPROEKT", ul. Bakuninskaya, 7, Russian Federation;SCIENCE AND INNOVATIONS - NUCLEAR INDUSTRY SCIENTIFIC DEVELOPMENT, PRIVATE ENTERPRISE, B. Ordynka street, d. 24, et. 8, cab. 820, Russian Federation ~72: DZBANOVSKAYA, Tatyana Yaropolkovna;SIDOROV, Aleksandr Stalevich;SIDOROVA, Inna Sergeevna~ 33:RU ~31:2020111692 ~32:20/03/2020

2021/10533 ~ Complete ~54:PORTABLE TESTING DEVICE OF BUILDING MATERIAL COMBUSTION PERFORMANCE AND TESTING METHOD THEREOF ~71:Anhui Polytechnic University, Beijing Middle Road, Wuhu City, Anhui Province, 241000, People's Republic of China;Hefei Kdlian Safety Technology Co.,Ltd., No. 13, Tianhu Road, high tech Zone, Hefei, Anhui, 230088, People's Republic of China ~72: Chen Yu;Liu Yongming;Xu Manman;Zhang Wenqing;Zhang Zhen~

2021/10592 ~ Complete ~54:SMALL MOLECULE INHIBITORS OF NF-KB INDUCING KINASE ~71:Janssen Pharmaceutica NV, Turnhoutseweg 30, BEERSE 2340, BELGIUM, Belgium ~72: BARBAY, J. Kent;CHAI, Wenying;ECCLES, Wendy;HACK, Michael D.;HERRMANN, Aaron T.;JONES, William M.;KRAWCZUK, Paul J.;KREUTTER, Kevin D.;LEBSACK, Alec D.;PIPPEL, Daniel J.;ROVIRA, Alexander R.;WOLIN, Ronald L.~ 33:US ~31:62/855,144 ~32:31/05/2019;33:US ~31:62/907,833 ~32:30/09/2019

ASSIGNMENTS IN TERMS OF SECTION 60-REGULATIONS 58-60 AND 64 (1)

Application Number	Assignor	Assignee
2013/00968	ALCOA USA CORP.	ALCOA WARRICK LLC
2013/05866	BOEHRINGER INGELHEIM INTERNATIONAL GMBH	ALKAHEST, INC.
2013/06763	FSP MINING COMPONENTS PTY LTD	FSP HOLDINGS PTY LTD
2015/03397	PHARMACOSMOS A/S	PHARMACOSMOS HOLDING A/S
2015/03792	BAYER PHARMA AKTIENGESELLSCHAFT	BAYER ANIMAL HEALTH GMBH
2015/04293	ALCOA USA CORP.	ALCOA WARRICK LLC
2015/04633	ANTHROGENESIS CORPORATION	CLARITY ACQUISITION II, LLC
2015/04633	ANTHROGENESIS LLC	CELULARITY INC.
2015/05625	DERMIRA, INC.	JOURNEY MEDICAL CORPORATION
2015/05732	DASSAULT SYSTEMES CANADA INC.	DASSAULT SYSTEMES AUSTRALIA PTY LTD
2015/07216	IONIS PHARMACEUTICALS, INC.	GLAXO GROUP LIMITED
2015/08933	DASSAULT SYSTEMES CANADA INC.	DASSAULT SYSTEMES AUSTRALIA PTY LTD
2020/07860	SCHOMBERG INVESTMENTS (PTY) LTD	GEYSER, MARK BEVERLY
2016/03627	FIBRIA CELULOSE S.A.	SUZANO PAPEL E CELULOSE S.A.
2009/01087	ABB SCHWEIZ AG	ABB POWER GRIDS SWITZERLAND AG
2018/02204	LT LIGHTING (TAIWAN) CORPORATION	LT (USA) CORPORATION
2017/02236	JIANGSU SHENMA ELECTRIC CO., LTD.	SHERMAR HOLDING PTE. LTD.
2015/05582	INTELLIKINE LLC	TAKEDA PHARMACEUTICAL COMPANY LIMITED
2011/03270	INTELLIKINE LLC	TAKEDA PHARMACEUTICAL COMPANY LIMITED
2007/10208	KUROS BIOSCIENCES AG	KUROS US LLC
2014/00495	LUCA ROSSATO AND GUIDO MEARDI	V-NOVA INTERNATIONAL LTD
2014/00471	LUCA ROSSATO AND GUIDO MEARDI	V-NOVA INTERNATIONAL LTD

Application Number	Assignor	Assignee
2014/00472	LUCA ROSSATO AND GUIDO MEARDI	V-NOVA INTERNATIONAL LTD
2014/00470	LUCA ROSSATO AND GUIDO MEARDI	V-NOVA INTERNATIONAL LTD
2015/08096	LUCA ROSSATO AND GUIDO MEARDI	V-NOVA INTERNATIONAL LTD
2016/00139	ABB SCHWEIZ AG	ABB POWER GRIDS SWITZERLAND AG
2016/00997	BEIJING FSWELCOME TECHNOLOGY DEVELOPMEWNT CO., LTD.	BEIJING SHOWBY PHARMACEUTICAL CO., LTD.
2016/02151	ANTHROGENESIS CORPORATION	CLARITY ACQUISITION II, LLC
2016/02151	ANTHROGENESIS LLC	CELULARITY INC.
2016/03109	OBSHESTVO S OGRANICHENNOI OTVETSTVENNONSTIYU 'PHARMENTERPRISES'	NEBOLSIN, VLADIMIR EVGENIEVICH and VALENTA-INTELLEKT
2016/03270	ANTHROGENESIS CORPORATION	CLARITY ACQUISITION II, LLC
2016/06811	ABAXIS LLC	ZOETIS SERVICES LLC
2016/07386	ALCOA USA CORP.	ALCOA WARRICK LLC
2016/07559	SOLARUS SUNPOWER SWEDEN AB	CORRENCY B.V.
2016/07559	CORRENCY B.V.	SOLARUS SMART ENERGY SOLUTIONS B.V.
2012/01944	MILLENNIUM PHARMACEUTICALS, INC.	TAKEDA PHARMACEUTICAL COMPANY LIMITED
2007/09019	SUD-CHEMIE IP GMBH & CO. KG	CLARIANT INTERNATIONAL LTD
2008/09053	SUD-CHEMIE IP GMBH & CO. KG	CLARIANT INTERNATIONAL LTD
2019/03621	NCM INNOVATIONS (PTY) LTD	EPIROC HOLDINGS SOUTH AFRICA (PTY) LTD
2014/08685	NCM INNOVATIONS (PTY) LTD	EPIROC HOLDINGS SOUTH AFRICA (PTY) LTD
2014/09144	NCM INNOVATIONS (PTY) LTD	EPIROC HOLDINGS SOUTH AFRICA (PTY) LTD
2016/00500	NCM INNOVATIONS (PTY) LTD	EPIROC HOLDINGS SOUTH AFRICA (PTY) LTD
2016/00778	NCM INNOVATIONS (PTY) LTD	EPIROC HOLDINGS SOUTH AFRICA (PTY) LTD
2006/03694	CAMWORTH TECHNOLOGIES LIMITED	EPIROC HOLDINGS SOUTH AFRICA (PTY) LTD
2003/04429	CAMWORTH TECHNOLOGIES LIMITED	EPIROC HOLDINGS SOUTH AFRICA (PTY) LTD
2007/05859	CAMWORTH TECHNOLOGIES LIMITED	EPIROC HOLDINGS SOUTH AFRICA (PTY) LTD
2003/06396	CAMWORTH TECHNOLOGIES LIMITED	EPIROC HOLDINGS SOUTH AFRICA (PTY) LTD
2017/00812	DAVID JOHANNES BRITS	DB TRUST
2017/00873	ABAXIS, LLC	ZOETIS SERVICES LLC
2017/01970	DERMIRA, INC.	JOURNEY MEDICAL CORPORATION
2017/	PANASONIC INTELLECTUAL PROPERTY MANAGEMENT CO.,	APPLE INC.

Application Number	Assignor	Assignee
	LTD	
2018/01335	WIND TOWER TECHNOLOGIES, LLC	SIEMENS GAMESA RENEWABLE ENERGY, INC.
2018/02303	SAMYANG BIOPHARMACEUTICALS CORPORATION	SAMYANG HOLDINGS CORPORATION
2018/03578	NCM INNOVATIONS (PTY) LTD	EPIROC HOLDINGS SOUTH AFRICA (PTY) LTD
2018/03625	BRUWER MELT	TRAILSNAP (PTY) LTD
2018/03626	NCM INNOVATIONS (PTY) LTD	EPIROC HOLDINGS SOUTH AFRICA (PTY) LTD
2018/04947	ASTELLAS PHARMA INC.	CYTOKINETICS, INCORPORATED
2018/07589	BENITEC BIOPHARMA PTY LTD	BENITEC IP HOLDINGS INC.
2012/01873	ALBIS PLASTIC GMBH	MOCOM COMPOUNDS GMBH & CO. KG
2013/00375	KONINKLIJKE NEDERLANDSE AKADEMIE VAN WETENSCHAPPEN'S	CERGENTIS B.V.
2019/01827	SHANGHAI INSTITUTE OF MATERIA MEDICA, CHINESE ACADEMY OF SCIENCES	SHANGHAI HAIHE PHARMACEUTICAL CO., LTD
2019/02981	EMS THERMAL (PTY) LTD	DIEDERIKS, FRANCO
2021/07494	SICHUAN HAISCO PHARMACEUTICAL CO., LTD.	HAISCO PHARMACEUTICALS PTE. LTD.
2019/0245	VISION X ASIA CO., LTD.	BROWN & WATSON INTERNATIONAL LIMITED
2021/07605	WUHAN YOUNGSEN BIOTECH CO., LTD.	FUWAI HOSPITAL CHINESE ACADEMY OF MEDICAL SCIENCES
2019/01866	YANTAI YENEPHARMA CO., LTD.	NEURODAWN PHARMACEUTICAL CO., LTD. and SIMCERE PHARMACEUTICAL CO., LTD.
2016/07293	AMBIENTE E NUTRIZIONE S.R.L.	VOMM IMPIANTI E PROCESSI S.P.A.
2016/00277	CEFRONT TECHNOLOGY AS	SEALODING HOLDING AS
2016/02597	AMBIENTE E NUTRIZIONE S.R.L.	VOMM IMPIANTI E PROCESSI S.P.A.
2009/08770	H. LUNDBECK A/S	VITAERIS INC.
2010/06824	TENNOR THERAPEUTICS LIMITED	TENNOR THERAPEUTICS (SUZHOU) LIMITED
2015/01316	TAKEDA GMBH	TAKEDA PHARMACEUTICAL COMPANY LIMITED
2021/03367	DUN, YIJUN	JIANGSU ENEUTRAL NEW ENERGY TECHNOLOGY CO., LTD.
2019/01829	ATARA BIOTHERAPEUTICS, INC. and THE COUNCIL OF THE QUEENSLAND INSTITUTE OF MEDICAL RESEARCH,	THE COUNCIL OF THE QUEENSLAND INSTITUTE OF MEDICAL RESEARCH
2009/02990	MANN, STEPHEN PHILIP and PARFITT, DAVID	MICRON BIO-SYSTEMS LIMITED
2020/02758	SONG JIASHENG	ZHEJIANG DIFFERENCE BIOLOGICAL TECHNOLOGY CO., LTD.
2010/02718	DOUGLAS ALAN ESDAILE and MARY IMELDA ESDAILE	SHADE SMART PTY LTD
2013/07620	IONIS PHARMACEUTICALS, INC.	GLAXO GROUP LIMITED
2015/03343	GLIDER BELTING	SHAW ALMEX AFRICA (PTY) LTD

Application Number	Assignor	Assignee
	TECHNOLOGIES CC	
2013/08170	PRIMETALS TECHNOLOGIES AUSTRIA GMBH	POSCO
2010/08727	CITRYLL IP B.V.	CITRYLL B.V.

CHANGE OF NAME IN TERMS OF REGULATION 39

Application Number	In the name of	New name
2015/01224	IN OVO B.V.	IN OVO HOLDING B.V.
2015/04293	ALCOA WARRICK LLC	KAISER ALUMINUM WARRICK, LLC
2015/04633	CLARITY ACQUISITION II, LLC	ANTHROGENESIS LLC
2015/08050	AOP ORPHAN PHARMACEUTICALS AG	AOP ORPHAN PHARMACEUTICALS GMBH
2020/05611	SEATTLE GENETICS, INC.	SEAGEN INC.
2020/04965	SEATTLE GENETICS, INC.	SEAGEN INC.
2016/03627	SUZANO PAPEL E CELULOSE S.A.	SUZANO S.A.
2011/00875	DOLOREY S.A. DE C.V.	SERVICIOS ADMINISTRATIVOS PENELOS, S.A. DE C.V
2013/00653	SEATTLE GENETICS, INC.	SEAGEN INC.
2013/03803	SEATTLE GENETICS, INC.	SEAGEN INC.
2013/07955	SEATTLE GENETICS, INC.	SEAGEN INC.
2015/01471	SEATTLE GENETICS, INC.	SEAGEN INC.
2016/01436	SEATTLE GENETICS, INC.	SEAGEN INC.
2016/05111	SEATTLE GENETICS, INC.	SEAGEN INC.
2017/02169	SEATTLE GENETICS, INC.	SEAGEN INC.
2017/05935	SEATTLE GENETICS, INC.	SEAGEN INC.
2017/02347	SEATTLE GENETICS, INC.	SEAGEN INC.
2018/02618	APROGEN KIC INC.	APROGEN MEDICINES INC.
2016/02151	CLARITY ACQUISITION II, LLC	ANTHROGENESIS LLC
2016/03270	CLARITY ACQUISITION II, LLC	ANTHROGENESIS LLC
2016/06811	ABAXIS, INC.	ABAXIS LLC
2016/07386	ALCOA WARRICK LLC	KAISER ALUMINUM WARRICK, LLC
2017/00873	ABAXIS, INC.	ABAXIS LLC
2010/06066	DOW AGROSCIENCES LLC	CORTEVA AGRISCIENCE LLC
2010/05614	DOW AGROSCIENCES LLC	CORTEVA AGRISCIENCE LLC
2010/04673	DOW AGROSCIENCES LLC	CORTEVA AGRISCIENCE LLC
2010/00426	DOW AGROSCIENCES LLC	CORTEVA AGRISCIENCE LLC
2009/08268	DOW AGROSCIENCES LLC	CORTEVA AGRISCIENCE LLC
2009/06807	DOW AGROSCIENCES LLC	CORTEVA AGRISCIENCE LLC
2009/05012	DOW AGROSCIENCES LLC	CORTEVA AGRISCIENCE LLC
2009/05011	DOW AGROSCIENCES LLC	CORTEVA AGRISCIENCE LLC
2009/05010	DOW AGROSCIENCES LLC	CORTEVA AGRISCIENCE LLC
2009/03238	DOW AGROSCIENCES LLC	CORTEVA AGRISCIENCE LLC
2009/02539	DOW AGROSCIENCES LLC	CORTEVA AGRISCIENCE LLC
2008/06317	DOW AGROSCIENCES LLC	CORTEVA AGRISCIENCE LLC

Application Number	In the name of	New name
2008/04633	DOW AGROSCIENCES LLC	CORTEVA AGRISCIENCE LLC
2008/04632	DOW AGROSCIENCES LLC	CORTEVA AGRISCIENCE LLC
2008/03982	DOW AGROSCIENCES LLC	CORTEVA AGRISCIENCE LLC
2006/08610	DOW AGROSCIENCES LLC	CORTEVA AGRISCIENCE LLC
2006/07292	DOW AGROSCIENCES LLC	CORTEVA AGRISCIENCE LLC
2006/05472	DOW AGROSCIENCES LLC	CORTEVA AGRISCIENCE LLC
2006/05471	DOW AGROSCIENCES LLC	CORTEVA AGRISCIENCE LLC
2003/02088	DOW AGROSCIENCES LLC	CORTEVA AGRISCIENCE LLC
2002/05097	DOW AGROSCIENCES LLC	CORTEVA AGRISCIENCE LLC
2009/00551	DOW AGROSCIENCES LLC	CORTEVA AGRISCIENCE LLC
2015/00601	DOW AGROSCIENCES LLC	CORTEVA AGRISCIENCE LLC
2013/05119	DOW AGROSCIENCES LLC	CORTEVA AGRISCIENCE LLC
2013/03874	DOW AGROSCIENCES LLC	CORTEVA AGRISCIENCE LLC
2013/03872	DOW AGROSCIENCES LLC	CORTEVA AGRISCIENCE LLC
2013/03040	DOW AGROSCIENCES LLC	CORTEVA AGRISCIENCE LLC
2013/03037	DOW AGROSCIENCES LLC	CORTEVA AGRISCIENCE LLC
2013/02895	DOW AGROSCIENCES LLC	CORTEVA AGRISCIENCE LLC
2013/02894	DOW AGROSCIENCES LLC	CORTEVA AGRISCIENCE LLC
2013/02204	DOW AGROSCIENCES LLC	CORTEVA AGRISCIENCE LLC
2013/00751	DOW AGROSCIENCES LLC	CORTEVA AGRISCIENCE LLC
2012/09538	DOW AGROSCIENCES LLC	CORTEVA AGRISCIENCE LLC
2014/01045	DOW AGROSCIENCES LLC	CORTEVA AGRISCIENCE LLC
2014/00596	DOW AGROSCIENCES LLC	CORTEVA AGRISCIENCE LLC
2013/08084	DOW AGROSCIENCES LLC	CORTEVA AGRISCIENCE LLC
2013/07806	DOW AGROSCIENCES LLC	CORTEVA AGRISCIENCE LLC
2013/07258	DOW AGROSCIENCES LLC	CORTEVA AGRISCIENCE LLC
2013/06749	DOW AGROSCIENCES LLC	CORTEVA AGRISCIENCE LLC
2013/05722	DOW AGROSCIENCES LLC	CORTEVA AGRISCIENCE LLC
2013/05719	DOW AGROSCIENCES LLC	CORTEVA AGRISCIENCE LLC
2013/05578	DOW AGROSCIENCES LLC	CORTEVA AGRISCIENCE LLC
2013/05189	DOW AGROSCIENCES LLC	CORTEVA AGRISCIENCE LLC
2014/05436	DOW AGROSCIENCES LLC	CORTEVA AGRISCIENCE LLC
2014/04105	DOW AGROSCIENCES LLC	CORTEVA AGRISCIENCE LLC
2014/04096	DOW AGROSCIENCES LLC	CORTEVA AGRISCIENCE LLC
2014/2551	DOW AGROSCIENCES LLC	CORTEVA AGRISCIENCE LLC
2014/01967	DOW AGROSCIENCES LLC	CORTEVA AGRISCIENCE LLC
2014/01783	DOW AGROSCIENCES LLC	CORTEVA AGRISCIENCE LLC
2014/01514	DOW AGROSCIENCES LLC	CORTEVA AGRISCIENCE LLC
2014/01231	DOW AGROSCIENCES LLC	CORTEVA AGRISCIENCE LLC
2014/01212	DOW AGROSCIENCES LLC	CORTEVA AGRISCIENCE LLC
2014/01047	DOW AGROSCIENCES LLC	CORTEVA AGRISCIENCE LLC
2014/08654	DOW AGROSCIENCES LLC	CORTEVA AGRISCIENCE LLC
2014/08653	DOW AGROSCIENCES LLC	CORTEVA AGRISCIENCE LLC
2014/08351	DOW AGROSCIENCES LLC	CORTEVA AGRISCIENCE LLC
2014/08349	DOW AGROSCIENCES LLC	CORTEVA AGRISCIENCE LLC
2014/07396	DOW AGROSCIENCES LLC	CORTEVA AGRISCIENCE LLC
2014/06494	DOW AGROSCIENCES LLC	CORTEVA AGRISCIENCE LLC
2014/06338	DOW AGROSCIENCES LLC	CORTEVA AGRISCIENCE LLC
2014/06234	DOW AGROSCIENCES LLC	CORTEVA AGRISCIENCE LLC
2014/06143	DOW AGROSCIENCES LLC	CORTEVA AGRISCIENCE LLC

Application Number	In the name of	New name
2014/06142	DOW AGROSCIENCES LLC	CORTEVA AGRISCIENCE LLC
2015/05118	DOW AGROSCIENCES LLC	CORTEVA AGRISCIENCE LLC
2015/05052	DOW AGROSCIENCES LLC	CORTEVA AGRISCIENCE LLC
2015/04821	DOW AGROSCIENCES LLC	CORTEVA AGRISCIENCE LLC
2015/04820	DOW AGROSCIENCES LLC	CORTEVA AGRISCIENCE LLC
2015/04241	DOW AGROSCIENCES LLC	CORTEVA AGRISCIENCE LLC
2015/04163	DOW AGROSCIENCES LLC	CORTEVA AGRISCIENCE LLC
2015/01135	DOW AGROSCIENCES LLC	CORTEVA AGRISCIENCE LLC
2015/00638	DOW AGROSCIENCES LLC	CORTEVA AGRISCIENCE LLC
2014/09170	DOW AGROSCIENCES LLC	CORTEVA AGRISCIENCE LLC
2014/09169	DOW AGROSCIENCES LLC	CORTEVA AGRISCIENCE LLC
2014/08994	DOW AGROSCIENCES LLC	CORTEVA AGRISCIENCE LLC
2018/02692	SEATTLE GENETICS, INC.	SEAGEN INC.
2018/03071	SECURITY DEVICES INTERNATIONAL, INC.	BYRNA TECHNOLOGIES INC.
2017/04554	DOW AGROSCIENCES LLC	CORTEVA AGRISCIENCE LLC
2017/04303	DOW AGROSCIENCES LLC	CORTEVA AGRISCIENCE LLC
2017/04302	DOW AGROSCIENCES LLC	CORTEVA AGRISCIENCE LLC
2017/04301	DOW AGROSCIENCES LLC	CORTEVA AGRISCIENCE LLC
2017/04300	DOW AGROSCIENCES LLC	CORTEVA AGRISCIENCE LLC
2017/03680	DOW AGROSCIENCES LLC	CORTEVA AGRISCIENCE LLC
2017/03275	DOW AGROSCIENCES LLC	CORTEVA AGRISCIENCE LLC
2016/04220	DOW AGROSCIENCES LLC	CORTEVA AGRISCIENCE LLC
015/06622	DOW AGROSCIENCES LLC	CORTEVA AGRISCIENCE LLC
2016/05381	DOW AGROSCIENCES LLC	CORTEVA AGRISCIENCE LLC
2016/04471	DOW AGROSCIENCES LLC	CORTEVA AGRISCIENCE LLC
2020/06133	DOW AGROSCIENCES LLC	CORTEVA AGRISCIENCE LLC
2018/04877	DOW AGROSCIENCES LLC	CORTEVA AGRISCIENCE LLC
2018/03748	DOW AGROSCIENCES LLC	CORTEVA AGRISCIENCE LLC
2018/03748	DOW AGROSCIENCES LLC	CORTEVA AGRISCIENCE LLC
2018/03747	DOW AGROSCIENCES LLC	CORTEVA AGRISCIENCE LLC
2018/03746	DOW AGROSCIENCES LLC	CORTEVA AGRISCIENCE LLC
2018/02085	DOW AGROSCIENCES LLC	CORTEVA AGRISCIENCE LLC
2018/00749	DOW AGROSCIENCES LLC	CORTEVA AGRISCIENCE LLC
2018/00293	DOW AGROSCIENCES LLC	CORTEVA AGRISCIENCE LLC
2017/06383	DOW AGROSCIENCES LLC	CORTEVA AGRISCIENCE LLC
2017/04558	DOW AGROSCIENCES LLC	CORTEVA AGRISCIENCE LLC
2017/04561	DOW AGROSCIENCES LLC	CORTEVA AGRISCIENCE LLC
2011/08383	DOW AGROSCIENCES LLC	CORTEVA AGRISCIENCE LLC
2011/07366	DOW AGROSCIENCES LLC	CORTEVA AGRISCIENCE LLC
2011/06262	DOW AGROSCIENCES LLC	CORTEVA AGRISCIENCE LLC
2011/04664	DOW AGROSCIENCES LLC	CORTEVA AGRISCIENCE LLC
2011/04014	DOW AGROSCIENCES LLC	CORTEVA AGRISCIENCE LLC
2011/03926	DOW AGROSCIENCES LLC	CORTEVA AGRISCIENCE LLC
2011/03111	DOW AGROSCIENCES LLC	CORTEVA AGRISCIENCE LLC
2011/02904	DOW AGROSCIENCES LLC	CORTEVA AGRISCIENCE LLC
2011/01729	DOW AGROSCIENCES LLC	CORTEVA AGRISCIENCE LLC
2011/01165	DOW AGROSCIENCES LLC	CORTEVA AGRISCIENCE LLC
2012/04914	DOW AGROSCIENCES LLC	CORTEVA AGRISCIENCE LLC
2012/04578	DOW AGROSCIENCES LLC	CORTEVA AGRISCIENCE LLC

Application Number	In the name of	New name
2012/04519	DOW AGROSCIENCES LLC	CORTEVA AGRISCIENCE LLC
2012/03930	DOW AGROSCIENCES LLC	CORTEVA AGRISCIENCE LLC
2012/02424	DOW AGROSCIENCES LLC	CORTEVA AGRISCIENCE LLC
2012/02381	DOW AGROSCIENCES LLC	CORTEVA AGRISCIENCE LLC
2012/01325	DOW AGROSCIENCES LLC	CORTEVA AGRISCIENCE LLC
2012/01210	DOW AGROSCIENCES LLC	CORTEVA AGRISCIENCE LLC
2012/01209	DOW AGROSCIENCES LLC	CORTEVA AGRISCIENCE LLC
2012/00822	DOW AGROSCIENCES LLC	CORTEVA AGRISCIENCE LLC
2012/04921	DOW AGROSCIENCES LLC	CORTEVA AGRISCIENCE LLC
2012/04915	DOW AGROSCIENCES LLC	CORTEVA AGRISCIENCE LLC
2014/09115	DOW AGROSCIENCES LLC	CORTEVA AGRISCIENCE LLC
2014/08995	DOW AGROSCIENCES LLC	CORTEVA AGRISCIENCE LLC
2014/08991	DOW AGROSCIENCES LLC	CORTEVA AGRISCIENCE LLC
2014/08646	DOW AGROSCIENCES LLC	CORTEVA AGRISCIENCE LLC
2014/06948	DOW AGROSCIENCES LLC	CORTEVA AGRISCIENCE LLC
2014/06002	DOW AGROSCIENCES LLC	CORTEVA AGRISCIENCE LLC
2019/01731	DOW AGROSCIENCES LLC	CORTEVA AGRISCIENCE LLC
2018/00368	DOW AGROSCIENCES LLC	CORTEVA AGRISCIENCE LLC
2020/01571	DOW AGROSCIENCES LLC	CORTEVA AGRISCIENCE LLC
2020/00548	DOW AGROSCIENCES LLC	CORTEVA AGRISCIENCE LLC
2020/01763	DOW AGROSCIENCES LLC	CORTEVA AGRISCIENCE LLC
2020/05639	DOW AGROSCIENCES LLC	CORTEVA AGRISCIENCE LLC
2016/04452	DOW AGROSCIENCES LLC	CORTEVA AGRISCIENCE LLC
2012/07754	DOW AGROSCIENCES LLC	CORTEVA AGRISCIENCE LLC
2012/07562	DOW AGROSCIENCES LLC	CORTEVA AGRISCIENCE LLC
2012/05180	DOW AGROSCIENCES LLC	CORTEVA AGRISCIENCE LLC
2012/04926	DOW AGROSCIENCES LLC	CORTEVA AGRISCIENCE LLC
2012/04922	DOW AGROSCIENCES LLC	CORTEVA AGRISCIENCE LLC
2017/04299	DOW AGROSCIENCES LLC	CORTEVA AGRISCIENCE LLC
2013/00216	DOW AGROSCIENCES LLC	CORTEVA AGRISCIENCE LLC
2012/09242	DOW AGROSCIENCES LLC	CORTEVA AGRISCIENCE LLC
2015/02706	DOW AGROSCIENCES LLC	CORTEVA AGRISCIENCE LLC
2015/02506	DOW AGROSCIENCES LLC	CORTEVA AGRISCIENCE LLC
2015/02371	DOW AGROSCIENCES LLC	CORTEVA AGRISCIENCE LLC
2015/01736	DOW AGROSCIENCES LLC	CORTEVA AGRISCIENCE LLC
2015/01735	DOW AGROSCIENCES LLC	CORTEVA AGRISCIENCE LLC
2015/01150	DOW AGROSCIENCES LLC	CORTEVA AGRISCIENCE LLC
2015/00701	DOW AGROSCIENCES LLC	CORTEVA AGRISCIENCE LLC
2015/04761	DOW AGROSCIENCES LLC	CORTEVA AGRISCIENCE LLC
2015/04742	DOW AGROSCIENCES LLC	CORTEVA AGRISCIENCE LLC
2015/04603	DOW AGROSCIENCES LLC	CORTEVA AGRISCIENCE LLC
2015/04562	DOW AGROSCIENCES LLC	CORTEVA AGRISCIENCE LLC
2015/04334	DOW AGROSCIENCES LLC	CORTEVA AGRISCIENCE LLC
2015/04242	DOW AGROSCIENCES LLC	CORTEVA AGRISCIENCE LLC
2012/04916	DOW AGROSCIENCES LLC	CORTEVA AGRISCIENCE LLC
2021/01758	DOW AGROSCIENCES LLC	CORTEVA AGRISCIENCE LLC
2020/07485	DOW AGROSCIENCES LLC	CORTEVA AGRISCIENCE LLC
2016/01475	DOW AGROSCIENCES LLC	CORTEVA AGRISCIENCE LLC
2015/01399	DOW AGROSCIENCES LLC	CORTEVA AGRISCIENCE LLC
2015/07413	DOW AGROSCIENCES LLC	CORTEVA AGRISCIENCE LLC

Application Number	In the name of	New name
2015/07330	DOW AGROSCIENCES LLC	CORTEVA AGRISCIENCE LLC
2015/07019	DOW AGROSCIENCES LLC	CORTEVA AGRISCIENCE LLC
2015/06053	DOW AGROSCIENCES LLC	CORTEVA AGRISCIENCE LLC
2015/06000	DOW AGROSCIENCES LLC	CORTEVA AGRISCIENCE LLC
2015/05117	DOW AGROSCIENCES LLC	CORTEVA AGRISCIENCE LLC
2015/05116	DOW AGROSCIENCES LLC	CORTEVA AGRISCIENCE LLC
2015/04913	DOW AGROSCIENCES LLC	CORTEVA AGRISCIENCE LLC
2016/03575	DOW AGROSCIENCES LLC	CORTEVA AGRISCIENCE LLC
2016/03238	DOW AGROSCIENCES LLC	CORTEVA AGRISCIENCE LLC
2016/03237	DOW AGROSCIENCES LLC	CORTEVA AGRISCIENCE LLC
2016/02979	DOW AGROSCIENCES LLC	CORTEVA AGRISCIENCE LLC
2016/02776	DOW AGROSCIENCES LLC	CORTEVA AGRISCIENCE LLC
2016/02552	DOW AGROSCIENCES LLC	CORTEVA AGRISCIENCE LLC
2016/02546	DOW AGROSCIENCES LLC	CORTEVA AGRISCIENCE LLC
2016/02543	DOW AGROSCIENCES LLC	CORTEVA AGRISCIENCE LLC
2016/02224	DOW AGROSCIENCES LLC	CORTEVA AGRISCIENCE LLC
2016/01929	DOW AGROSCIENCES LLC	CORTEVA AGRISCIENCE LLC
2016/08597	DOW AGROSCIENCES LLC	CORTEVA AGRISCIENCE LLC
2016/08084	DOW AGROSCIENCES LLC	CORTEVA AGRISCIENCE LLC
2016/08046	DOW AGROSCIENCES LLC	CORTEVA AGRISCIENCE LLC
2016/05719	DOW AGROSCIENCES LLC	CORTEVA AGRISCIENCE LLC
2016/05718	DOW AGROSCIENCES LLC	CORTEVA AGRISCIENCE LLC
2016/04648	DOW AGROSCIENCES LLC	CORTEVA AGRISCIENCE LLC
2016/04642	DOW AGROSCIENCES LLC	CORTEVA AGRISCIENCE LLC
2016/04539	DOW AGROSCIENCES LLC	CORTEVA AGRISCIENCE LLC
2016/04215	DOW AGROSCIENCES LLC	CORTEVA AGRISCIENCE LLC
2018/05566	DOW AGROSCIENCES LLC	CORTEVA AGRISCIENCE LLC
2017/00254	DOW AGROSCIENCES LLC	CORTEVA AGRISCIENCE LLC
2017/00253	DOW AGROSCIENCES LLC	CORTEVA AGRISCIENCE LLC
2017/00173	DOW AGROSCIENCES LLC	CORTEVA AGRISCIENCE LLC
2017/00065	DOW AGROSCIENCES LLC	CORTEVA AGRISCIENCE LLC
2017/00034	DOW AGROSCIENCES LLC	CORTEVA AGRISCIENCE LLC
2017/00030	DOW AGROSCIENCES LLC	CORTEVA AGRISCIENCE LLC
2016/08740	DOW AGROSCIENCES LLC	CORTEVA AGRISCIENCE LLC
2016/08739	DOW AGROSCIENCES LLC	CORTEVA AGRISCIENCE LLC
2016/08738	DOW AGROSCIENCES LLC	CORTEVA AGRISCIENCE LLC
2019/01754	DOW AGROSCIENCES LLC	CORTEVA AGRISCIENCE LLC
2019/01730	DOW AGROSCIENCES LLC	CORTEVA AGRISCIENCE LLC
2019/00506	DOW AGROSCIENCES LLC	CORTEVA AGRISCIENCE LLC
2019/00505	DOW AGROSCIENCES LLC	CORTEVA AGRISCIENCE LLC
2018/06549	DOW AGROSCIENCES LLC	CORTEVA AGRISCIENCE LLC
2018/06548	DOW AGROSCIENCES LLC	CORTEVA AGRISCIENCE LLC
2018/05571	DOW AGROSCIENCES LLC	CORTEVA AGRISCIENCE LLC
2018/05570	DOW AGROSCIENCES LLC	CORTEVA AGRISCIENCE LLC
2018/05568	DOW AGROSCIENCES LLC	CORTEVA AGRISCIENCE LLC
2018/05567	DOW AGROSCIENCES LLC	CORTEVA AGRISCIENCE LLC
2018/01475	DOW AGROSCIENCES LLC	CORTEVA AGRISCIENCE LLC
2019/07343	DOW AGROSCIENCES LLC	CORTEVA AGRISCIENCE LLC
2019/07342	DOW AGROSCIENCES LLC	CORTEVA AGRISCIENCE LLC
2019/07341	DOW AGROSCIENCES LLC	CORTEVA AGRISCIENCE LLC

Application Number	In the name of	New name
2019/07340	DOW AGROSCIENCES LLC	CORTEVA AGRISCIENCE LLC
2019/07339	DOW AGROSCIENCES LLC	CORTEVA AGRISCIENCE LLC
2019/07338	DOW AGROSCIENCES LLC	CORTEVA AGRISCIENCE LLC
2019/06276	DOW AGROSCIENCES LLC	CORTEVA AGRISCIENCE LLC
2019/02308	DOW AGROSCIENCES LLC	CORTEVA AGRISCIENCE LLC
2019/01755	DOW AGROSCIENCES LLC	CORTEVA AGRISCIENCE LLC
2019/07710	DOW AGROSCIENCES LLC	CORTEVA AGRISCIENCE LLC
2019/03390	DOW AGROSCIENCES LLC	CORTEVA AGRISCIENCE LLC
2018/07905	DOW AGROSCIENCES LLC	CORTEVA AGRISCIENCE LLC
2018/07554	DOW AGROSCIENCES LLC	CORTEVA AGRISCIENCE LLC
2018/04662	DOW AGROSCIENCES LLC	CORTEVA AGRISCIENCE LLC
2018/04634	DOW AGROSCIENCES LLC	CORTEVA AGRISCIENCE LLC
2018/04420	DOW AGROSCIENCES LLC	CORTEVA AGRISCIENCE LLC
2018/03002	DOW AGROSCIENCES LLC	CORTEVA AGRISCIENCE LLC
2018/01880	DOW AGROSCIENCES LLC	CORTEVA AGRISCIENCE LLC
2021/03468	ORGANOBALANCE GMBH	NOVOZYMES BERLIN GMBH
2014/08149	AOP ORPHAN PHARMACEUTICALS AG	AOP ORPHAN PHARMACEUTICALS GMBH
2015/08050	AOP ORPHAN PHARMACEUTICALS AG	AOP ORPHAN PHARMACEUTICALS GMBH
2011/03409	AOP ORPHAN PHARMACEUTICALS AG	AOP ORPHAN PHARMACEUTICALS GMBH
2021/04160	TEN-ACE GMBH	AIR UP GROUP GMBH
2019/07567	SECURITY DEVICES INTERNATIONAL, INC	BYRNA TECHNOLOGIES INC.
2019/01961	SEATTLE GENETICS, INC.	SEAGEN INC.

PATENT LICENSES IN TERMS OF SECTION 53 (7)-REGULATIONS 62 AND 63

No records available

PATENT APPLICATIONS ABANDONED OR WITHDRAWN

Application Number	Not Open	Date
2020/06629	WITHDRAWN	26/10/2021

APPLICATION FOR RESTORATION OF A LAPSED PATENT

THE PATENTS ACT, No. 57 OF 1978

APPLICATION FOR THE RESTORATION OF A LAPSED PATENT UNDER SECTION 47 OF THE ACT

Notice is hereby given **FLUID INTETNATIONAL INC., OF SIBANDA AND ZANTWYK. P.O. BOX 1615, HOUGHTON, JOHANNESBURG** that made application for the Restoration of the Patent granted to said **FLUID INTERNATIONAL INC.**, an invention **SYSTEM AND METHOD FOR DETECTION OF PARTICLES IN LIQUID**

OR IN AIR numbered **2018/00374** dated **30/11/2021** which became void **21/07/2020** owing to the non-payment of the prescribed renewal fee.

Any person may give notice on Patent Form No. 19 of opposition to the restoration of the patent within two months of the advertisement hereof.

Notice is hereby given **STITCH WISE (PTY) LTD. OF DEON DE BEER ATTORNEYS, WILLOW WOOD OFFICE PARK, BROADACRES. 2021** that made application for the Restoration of the Patent granted to said **STITCH WISE (PTY) LTD.**, an invention **UNDERGROUND MINE SUPPORT** numbered **2008/10771** dated **22/12/2008** which became void **22/12/2020** owing to the non-payment of the prescribed renewal fee.

Any person may give notice on Patent Form No. 19 of opposition to the restoration of the patent within two months of the advertisement hereof.

Notice is hereby given **WB INNOVATIONS LTD OF DR GERNTHOLTZ, INTELLECTUAL PROPERTY LAWYERS, CAPE TOWN.** that made application for the Restoration of the Patent granted to said **WB INNOVATIONS LTD** an invention **DRINK CAN CLOSURE ELEMENT** numbered **2011/02376** dated **27/03/2009** which became void **27/08/2015** owing to the non-payment of the prescribed renewal fee.

Any person may give notice on Patent Form No. 19 of opposition to the restoration of the patent within two months of the advertisement hereof.

Notice is hereby given **WB INNOVATIONS LTD OF DR GERNTHOLTZ, INTELLECTUAL PROPERTY LAWYERS, CAPE TOWN.** that made application for the Restoration of the Patent granted to said **WB INNOVATIONS LTD** an invention **DRINK CAN CLOSURE ELEMENT** numbered **2012/06559** dated **31/08/2012** which became void **03/03/2015** owing to the non-payment of the prescribed renewal fee.

Any person may give notice on Patent Form No. 19 of opposition to the restoration of the patent within two months of the advertisement hereof.

Notice is hereby given **REVENUE ACQUISITION LLC OF SIBANDA AND ZANTWYK, P0, BOX 1615, HOUGHTON, JOHANNESBURG. 2041** that made application for the Restoration of the Patent granted to said **REVENUE ACQUISITION LLC** an invention **A FAILED CALL SMS/ NOTIFICATION SYSTEMS METHOD** numbered **2019/06767** dated **14/10/2019** which became void **18/01/2021** owing to the non-payment of the prescribed renewal fee.

Any person may give notice on Patent Form No. 19 of opposition to the restoration of the patent within two months of the advertisement hereof.

Notice is hereby given **SEAN WILLIAM LACEY OF ADAMS & ADAMS. 4 DAVENTRY ROAD, LYNNWOOD MANOR. PRETORIA. 0001** that made application for the Restoration of the Patent granted to said **SEAN WILLIAM LACEY** an invention **HOB COVERS** numbered **2011/02392** dated **31/03/2011** which became void **31/03/2019** owing to the non-payment of the prescribed renewal fee.

Any person may give notice on Patent Form No. 19 of opposition to the restoration of the patent within two months of the advertisement hereof.

Notice is hereby given **HAMPTON ROADS SANITATION DISTRICT OF SPOOR & FISHER. CENTURION. PRETORIA. 0001** that made application for the Restoration of the Patent granted to said **HAMPTON ROADS SANITATION DISTRICT** an invention **METHOD AND APPARATUS FOR WASTEWATER TREATMENT USING**

EXTERNAL SELECTION numbered **2016/08044** dated **21/11/2016** which became void **30/06/2020** owing to the non-payment of the prescribed renewal fee.

Any person may give notice on Patent Form No. 19 of opposition to the restoration of the patent within two months of the advertisement hereof.

THE PATENTS ACT, No. 57 OF 1978

APPLICATION FOR VOLUNTARY SURRENDER OF PATENTS UNDER SECTION 64 (1), REGULATION 67 OF THE ACT

No records available

APPLICATIONS TO AMEND SPECIFICATION

THE PATENTS ACT, 1978

APPLICATIONS TO AMEND SPECIFICATION

Applicant: FOREVER CHEER INTERNATIONAL LIMITED., Unit 1405-1406, Dominion Centre, 43-59 Queen's Road East Wan Chai Hong Kong. Request permission to amend the specification of letters: **18/5/2018** Patent Application No: **2018/03320** for **PHARMACEUTICAL COMPOSITIONS FOR TREATING PAIN.**

A copy of the original specification on which the proposed amendment is indicated in red, is now available for public inspection at the Patent Office .

Any notice of opposition (on patent Form 19) must be closed at the Patent Office within 2 months from the date hereof.

Registrar of Patents

Applicant: HANMI PHARM. CO., LTD. 214, MUHA-RO, PALTAN-MYEON, HWASEONG-SI, GYEONGGI-DO 18536, REPUBLIC OF KOREA Republic of Korea. Request permission to amend the specification of letters: **25/7/2018** Patent Application No: **2018/04998** for **LONG-ACTING CONJUGATE OF TRIPLE GLUCAGON/GLP-1/GIP RECEPTOR AGONIST**

A copy of the original specification on which the proposed amendment is indicated in red, is now available for public inspection at the Patent Office .

Any notice of opposition (on patent Form 19) must be closed at the Patent Office within 2 months from the date hereof.

Registrar of Patents

Applicant: WILHELM LAYHER VERWALTUNGS-GMBH Ochsenbacher Str. 56 74363 Güglingen-Eibensbach Germany. Request permission to amend the specification of letters: **11/09/2018** Patent Application No: **2018/06082** for **FLOOR STRUCTURE FOR EVENTS.**

A copy of the original specification on which the proposed amendment is indicated in red, is now available for public inspection at the Patent Office .

Any notice of opposition (on patent Form 19) must be closed at the Patent Office within 2 months from the date hereof.

Registrar of Patents

Applicant: LIQID MEDICAL PROPRIETARY LIMITED 30 Eden Road, Walmer Estate, Cape Town 7925, SOUTH AFRICA South Africa. Request permission to amend the specification of letters: **10/4/2019** Patent Application No: **2019/02254** for **A SHUNT SYSTEM, SHUNT AND METHOD FOR TREATING AN OCULAR DISORDER**

A copy of the original specification on which the proposed amendment is indicated in red, is now available for public inspection at the Patent Office .

Any notice of opposition (on patent Form 19) must be closed at the Patent Office within 2 months from the date hereof.

Registrar of Patents

Applicant: Eaton Intelligent Power Limited Eaton House, 30 Pembroke Road, DUBLIN 4, IRELAND Ireland. Request permission to amend the specification of letters: **27/8/2019** Patent Application No: **2019/05637** for **CIRCUIT-BREAKER WITH REDUCED BREAKDOWN VOLTAGE REQUIREMENT**

A copy of the original specification on which the proposed amendment is indicated in red, is now available for public inspection at the Patent Office .

Any notice of opposition (on patent Form 19) must be closed at the Patent Office within 2 months from the date hereof.

Registrar of Patents

Applicant: BASF CORPORATION of 100 PARK AVENUE, FLORHAM PARK, NEW JERSEY, 07932, UNITED STATES OF AMERICA. Request permission to amend the specification of letters patent no: **2019/01224** of **26 FEBRUARY 2019** for **MONOMETALLIC RHODIUM-CONTAINING FOUR-WAY CONVERSION CATALYSTS FOR GASOLINE ENGINE EMISSIONS TREATMENT SYSTEMS**

A copy of the original specification on which the proposed amendment is indicated in red, is now available for public inspection at the Patent Office .

Any notice of opposition (on patent Form 19) must be closed at the Patent Office within 2 months from the date hereof.

Registrar of Patents

Applicant: PIERRE FABRE MEDICAMENT 45, place Abel Gance F-92100 Boulogne-Billancourt France. Request permission to amend the specification of letters: **27/10/2016** Patent Application No: **2016/07415** for **ANTIBODY-DRUG-CONJUGATE AND ITS USE FOR THE TREATMENT OF CANCER**

A copy of the original specification on which the proposed amendment is indicated in red, is now available for public inspection at the Patent Office .

Any notice of opposition (on patent Form 19) must be closed at the Patent Office within 2 months from the date hereof.

Registrar of Patents

INSPECTION OF SPECIFICATIONS

A complete specification may, after acceptance is advertised, be inspected during office hours at the Patent Office, Pretoria, at a charge of **R4, 00**. Please note, that in terms of section 43 (3) if the acceptance of an application which claims priority in terms of section 31 (1) (c) is not published in terms of section 42 within 18 months from the earliest priority claimed from the relevant application in a convention country, it shall be opened to public inspection after the expiration of 18 months from the earliest priority so claimed.

COPIES OF DOCUMENTS

The Patent Office, Private Bag X400, Pretoria, supplies copies of all patent and trade mark documents at the following rate:

Photocopies: **R1, 00 per page**

(Payment to be affected by means of revenue stamps only.)

COMPLETE SPECIFICATIONS ACCEPTED AND ABRIDGEMENTS OR ABSTRACTS THEREOF

Complete specifications in respect of the under mentioned applications for letters Patent have been accepted by the Registrar of Patents.

THE PATENTS ACT, 1978 (ACT NO. 57 OF 1978)

In terms of section 42 (b) of the Patents Act, 1978, a patent shall be deemed to have been sealed and granted as from the date of publication of the acceptance.

The numerical references denote the following: **(21)** Number of application. **(22)** Date of application. **(DA)** Date of acceptance. **(51)** Class. **(71)** Name of applicant(s). **(72)** Name of all inventors. **(33)** Country. **(31)** Number and **(32)** Date of convention application. **(54)** Title of invention. **(00)** Number of sheets.

Registrar of Patents

21: 2012/03059. 22: 2012/04/25. 43: 2021/09/28
 51: C12N; C12P
 71: Universiteit Stellenbosch (also known as Stellenbosch University)
 72: DEN HAAN, Riaan, VAN ZYL, Emile
 33: US 31: 61/254,935 32: 2009-10-26
54: HETEROLOGOUS EXPRESSION OF FUNGAL CELLOBIOHYDROLASE 2 GENES IN YEAST
 00: -

The present invention provides for heterologous expression of polypeptides encoded by wild-type and codon-optimized cbh2 genes from the organisms

21: 2013/09419. 22: 2013/12/12. 43: 2021/10/15
 51: A61K; C07D
 71: Array BioPharma Inc.

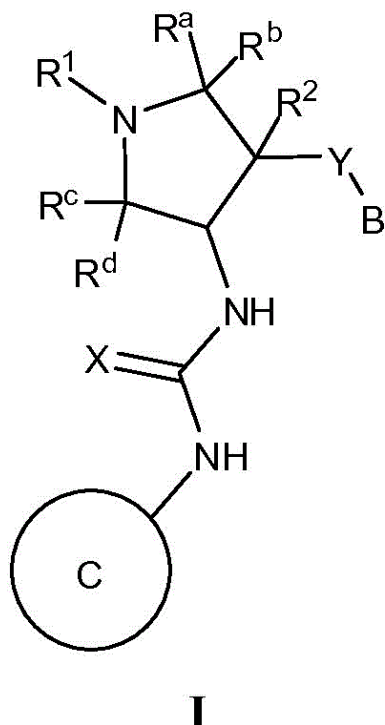
72: ALLEN, Shelley, ANDREWS, Steven W., BLAKE, James F., CONDROSKI, Kevin R., HAAS, Julia, HUANG, Lily, JIANG, Yutong, KERCHER, Timothy, KOLAKOWSKI, Gabrielle R., SEO, Jeongbeob

33: US 31: 61/485,858 32: 2011-05-13

54: PYRROLIDINYL UREA AND PYRROLIDINYL THIOUREA COMPOUNDS AS TRKA KINASE INHIBITORS

00: -

Compounds of Formula I: or stereoisomers, tautomers, or pharmaceutically acceptable salts, or solvates or prodrugs thereof, where R¹, R², R^a, R^b, R^c, R^d, X, Y, B, and Ring C are as defined herein, and wherein the Y-B moiety and the NH-C(=X)-NH moiety are in the trans configuration, are inhibitors of TrkA kinase and are useful in the treatment of diseases which can be treated with a TrkA kinase inhibitor such as pain, cancer, inflammation, neurodegenerative diseases and certain infectious diseases.



21: 2015/00772. 22: 2015/02/03. 43: 2021/11/29
51: B63B
71: FIN CONTROL SYSTEMS PTY. LIMITED

72: Scott NORRIE, Michael DURANTE, Gregory SCOTT, Linden EVANS

33: AU 31: 2012902939 32: 2012-07-09

54: FIN PLUG FOR WATER CRAFT

00: -

A fin plug (10) for installation in a water craft, said fin plug (10) including: a first open cavity (20) adapted to receive a base portion (15) of a water craft fin (50); and, a resilient biasing rod (30) and a protruding member (35) cooperating with the biasing rod, said protruding member being adapted to abut the base portion (15) of said fin (50) when received in said first open cavity (20); wherein said biasing rod and protruding member are adapted to apply a force to the base portion of said fin to inhibit removal of said fin from said first open cavity.

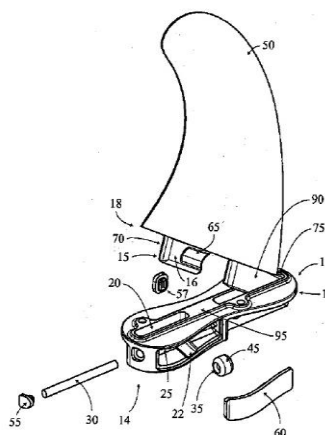


Fig 1A

21: 2015/03031. 22: 2015/05/04. 43: 2021/11/29
51: F03D

71: WOBLEN PROPERTIES GMBH
72: Frank POLLMANN, Alexander GRÖSS

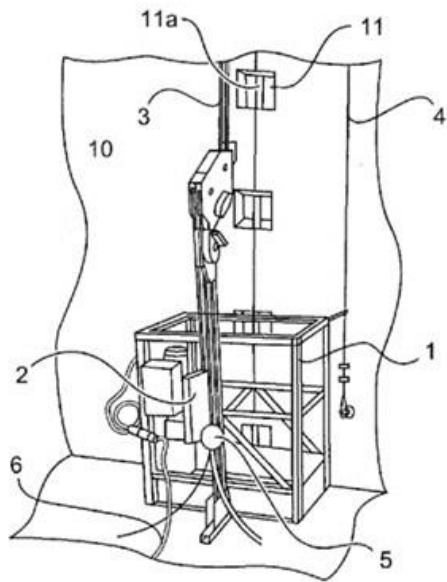
33: DE 31: 102012020687.9 32: 2012-10-22
33: DE 31: 102013208760.8 32: 2013-05-13

54: WIND POWER PLANT AND WIND POWER PLANT TOWER

00: -

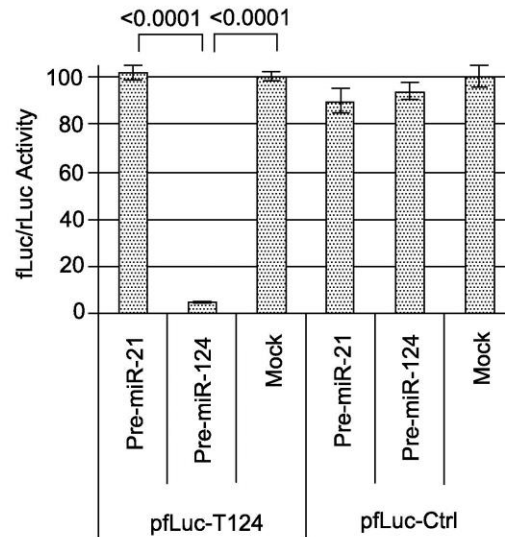
The invention relates to a wind power plant with a tower (102) which has a plurality of tower segments. Some of the tower segments are constructed from a plurality of tower segment parts (10a). The tower segment parts (10a) are fastened to one another via screw connections. The wind power plant additionally has at least one guide rope (4) extending at least partially along the length of the tower. The wind power plant also has a work

platform (1), which can be fastened to the guide rope (4) for guidance and can be moved up and down by means of a traction rope (3). Thereby the screw connections of adjacent tower segment parts (10a) can be inspected.



21: 2016/02873. 22: 2016/04/26. 43: 2021/10/08
 51: A61K; C12N
 71: University of Pittsburgh - of the Commonwealth System of Higher Education
 72: UCHIDA, Hiroaki, COHEN, Justus, GLORIOSO III, Joseph C., GRANDI, Paola
 33: US 31: 61/896,497 32: 2013-10-28
54: ONCOLYTIC HSV VECTOR
 00: -

The present invention provides a recombinant oncolytic Herpes Simplex Virus (oHSV) comprising a non-HSV ligand specific for a molecule (protein, lipid, or carbohydrate determinant) present on the surface of a cell (such as a cancer cell) and one or more copies of one or more microRNA target sequences inserted into one or more HSV gene loci, preferably one or more HSV gene(s) required for replication of HSV in normal (i.e., non-cancerous) cells. The invention further provides stocks and pharmaceutical compositions comprising the inventive oHSV and methods for killing tumor cells employing the inventive oHSV.



21: 2016/03391. 22: 2016/05/18. 43: 2021/10/15
 51: A61K; C07K
 71: GENENTECH, INC.
 72: CHEN, YONGMEI, ERNST, JAMES, KIM, HOK SEON, SONODA, JUNICHIRO, SPIESS, CHRISTOPH, STAWICKI, SCOTT, WU, YAN
 33: US 31: 61/920,396 32: 2013-12-23
 33: US 31: 62/081,435 32: 2014-11-18
54: ANTIBODIES AND METHODS OF USE
 00: -

The presently disclosed subject matter provides antibodies that bind KLB and FGFR1, and methods of using the same. In certain embodiments, an antibody of the present disclosure includes a bispecific antibody that binds to an epitope present on FGFR1 and binds to an epitope present on KLB.

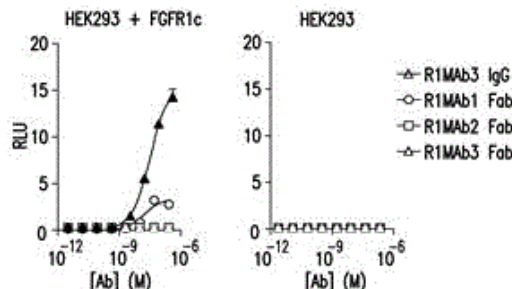
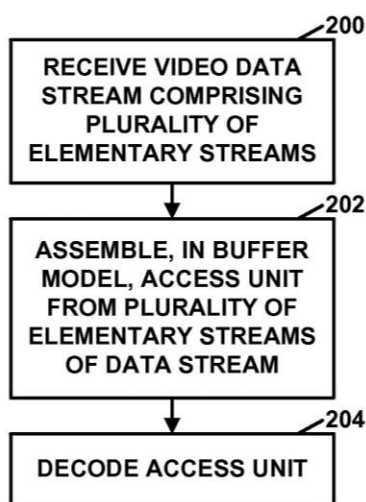


FIG. 1A

21: 2016/04656. 22: 2016/07/07. 43: 2021/09/28
 51: H04N
 71: QUALCOMM Incorporated

72: CHEN, Ying, WANG, Ye-Kui
 33: US 31: 61/925,191 32: 2014-01-08
**54: CARRIAGE OF HEVC EXTENSION
 BITSTREAMS AND BUFFER MODEL WITH
 MPEG-2 SYSTEMS**

00: -
 A video decoder assembles, in a buffer model, an access unit from a plurality of elementary streams of a video data stream. The video data stream may be a transport stream or a program stream. The same buffer model is used regardless of whether the elementary streams contain Scalable High Efficiency Video Coding (SHVC), Multi-View HEVC (MV-HEVC), or 3D-HEVC bitstreams. Furthermore, the video decoder decodes the access unit.



21: 2016/07962. 22: 2016/11/17. 43: 2021/10/08
 51: A01K; C07K; C12N
 71: REGENERON PHARMACEUTICALS, INC.
 72: BUROVA, Elena, MUJICA, Alexander, O., LAI, Kažman, Venus, MURPHY, Andrew, J.
 33: US 31: 62/014,181 32: 2014-06-19
 33: US 31: 62/086,518 32: 2014-12-02
 33: US 31: 62/138,221 32: 2015-03-25

54: NON-HUMAN ANIMALS HAVING A HUMANIZED PROGRAMMED CELL DEATH 1 GENE

00: -
 Non-human animals, and methods and compositions for making and using the same, are provided, wherein said non-human animals comprise a humanization of a Programmed cell death 1 (Pdc1) gene. Said non-human animals may be described, in some embodiments, as having a genetic modification to an endogenous Pdc1 gene so that

said non-human animals express a PD-1 polypeptide that includes a human portion and an endogenous portion (e.g., a non-human portion).

21: 2016/08032. 22: 2016/11/21. 43: 2021/10/08
 51: F16B
 71: Sandvik Mining and Construction Oy
 72: MUUTTONEN, Timo, KELA, Timo, HIETAKARI, Teemu, KILLI, Jari
 33: EP(FI) 31: 15197673.5 32: 2015-12-02

54: BLIND NUT, FASTENING ARRANGEMENT AND METHOD OF FASTENING

00: -
 The invention relates to a blind nut, a fastening arrangement and further to a method of fastening. The blind nut comprises a cylindrical outer surface portion provided with one or more sealing elements. The sealing elements of the blind nut may seal against a cylindrical inner surface of a nut space inside which the blind nut is configured to penetrate when being tightened.

21: 2016/08762. 22: 2016/12/20. 43: 2021/10/08
 51: C12N
 71: REGENERON PHARMACEUTICALS, INC.
 72: FRENDEWEY, David, DROGUETT, Gustavo, GAGLIARDI, Anthony, KUNO, Junko, AUERBACH, Wojtek, VALENZUELA, David, M.
 33: US 31: 62/017,582 32: 2014-06-26
 33: US 31: 62/017,627 32: 2014-06-26

54: METHODS AND COMPOSITIONS FOR TARGETED GENETIC MODIFICATIONS AND METHODS OF USE

00: -
 Methods and compositions are provided for generating targeted genetic modifications on the Y chromosome or a challenging target locus. Compositions include an in vitro culture comprising an XY pluripotent and/or totipotent animal cell (i.e., XY ES cells or XY iPS cells) having a modification that decreases the level and/or activity of an Sry protein; and, culturing these cells in a medium that promotes development of XY F0 fertile females. Such compositions find use in various methods for making a fertile female XY non-human mammal in an F0 generation.

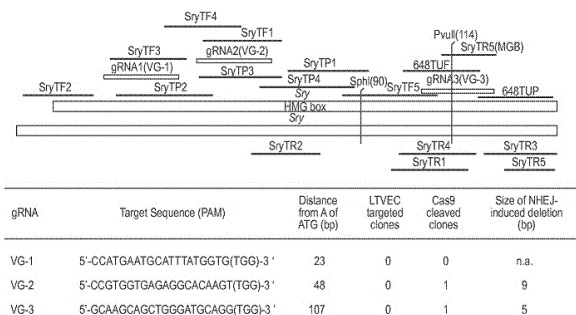
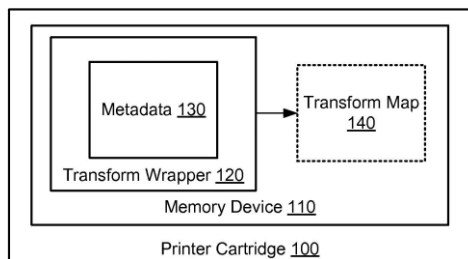


FIG. 1

21: 2017/01094. 22: 2017/02/14. 43: 2021/10/26
 51: B41J
 71: Hewlett-Packard Development Company, L.P.
 72: NICHOLS, Stephen J., GONDEK, Jay S.,
 WARD, Jefferson P.

54: TRANSFORM MAP AT PRINTER CARTRIDGE

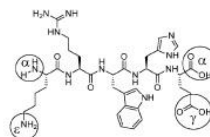
00: -
 A transform wrapper is stored on a memory device and the memory device may be included in a printer cartridge. The transform wrapper may dynamically build a transform map for a printer based on metadata stored at the memory device. The metadata may indicate at least one of a type of depositing material, transform map, print media and printer.



21: 2017/03192. 22: 2017/05/09. 43: 2021/11/29
 51: A61K; C07K; A61P
 71: AMCURE GMBH, RUPRECHT-KARLS-UNIVERSITÄT
 72: Alexandra MATZKE-OGI, Véronique ORIAN-ROUSSEAU, Uwe HABERKORN, Thomas LINDNER, Walter MIER
 33: GB 31: 1421647.7 32: 2014-12-05
54: CD44V6-DERIVED CYCLIC PEPTIDES FOR TREATING CANCERS AND ANGIOGENESIS RELATED DISEASES
 00: -

The present invention relates to compounds, pharmaceutical compositions and methods for treating different forms of cancer and angiogenesis related diseases using cyclic peptides.

Figure 1



Full name	abbreviation	sequence
[αKγE]cyCD44v6/3	<i>alga-1</i>	cy[αKRWHEγ]
[αKγE]cyCD44v6/3	<i>epga-1</i>	cy[εKRWHEγ]
[αKαE]cyCD44v6/4	<i>alal-1</i>	cy[αKRWHEα]
[εKαE]cyCD44v6/4	<i>epal-1</i>	cy[εKRWHEα]
[αKγE]cyCD44v6/4	<i>alga-2</i>	cy[αKNRWHEγ]
[εKγE]cyCD44v6/4	<i>epga-2</i>	cy[εKNRWHEγ]
[αKαE]cyCD44v6/5	<i>alal-2</i>	cy[αKNRWHEα]
[εKαE]cyCD44v6/5	<i>epal-2</i>	cy[εKNRWHEα]
[αKγE]cyCD44v6/5	<i>alga-3</i>	cy[αKGNRWHEγ]
[εKγE]cyCD44v6/5	<i>epga-3</i>	cy[εKGNRWHEγ]
[αKαE]cyCD44v6/6	<i>alal-3</i>	cy[αKGNRWHEα]
[εKαE]cyCD44v6/6	<i>epal-3</i>	cy[εKGNRWHEα]
DOTA-[αKγAbu]cyCD44v6/3	<i>aligaba-1</i>	DOTA-cy[αKRWHγAbu]

Side chain derivatives
 DOTA-sp[αKγE]cyCD44v6/3 *sp-alga-1* DOTA-GGL-cy[αKRWHEγ]

21: 2017/03371. 22: 2017/05/16. 43: 2021/10/08
 51: C12N
 71: Danstar Ferment AG
 72: SINDOU, Julien, DURAND, Henri
 33: EP(CH) 31: 14194567.5 32: 2014-11-24

54: HAY PRESERVATIVE AND METHODS FOR PRESERVATION OF HAY

00: -
 There is provided a method of treating hay for preventing and/or reducing heat damage in high moisture hay and as well to preserve the same, the method comprising adding to hay a hay preservative comprising a hay preserving and heat reducing effective amount of at least one enzyme having a chitinase activity, either alone or in combination with a hay preserving and heat reducing effective amount of a yeast of the genus *Pichia* or a bacteria of the genus *Pediococcus*. There is also provided a method of treating hay for preventing and/or reducing heat damage in high moisture hay and as well to preserve the same, the method comprising adding to hay a hay preservative comprising a hay preserving and heat reducing effective amount of yeast of the genus *Pichia*.

21: 2017/03374. 22: 2017/05/16. 43: 2021/10/08
 51: C01B; C25B
 71: HYDROGENIOUS TECHNOLOGIES GmbH
 72: PREUSTER, Patrick, BÖSMANN, Andreas,
 WASSERSCHIED, Peter
 33: DE 31: 10 2014 223 426.3 32: 2014-11-17
**54: LOADING/UNLOADING UNIT FOR
 HYDROGEN, INSTALLATION COMPRISING SAID
 LOADING/UNLOADING UNIT AND METHOD FOR
 STORING AND RELEASING ENERGY**

00: -
 An installation for storing energy comprises a loading/unloading unit (8) for hydrogen which has a reaction container (7) in which a carrier medium is loaded with hydrogen and the hydrogen is unloaded from the loaded carrier medium.

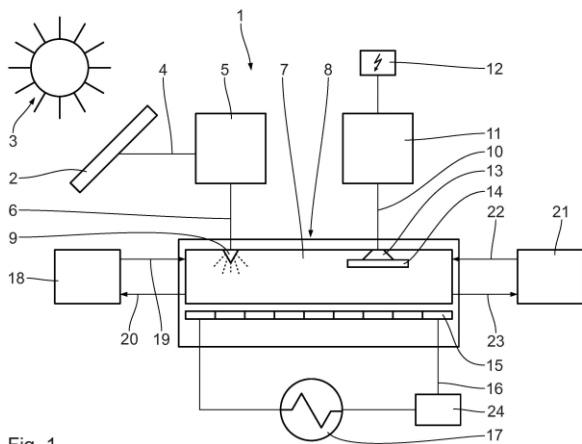


Fig. 1

be connected to the rock bolt 1, that an electrically conducting circuit 33 is formed through the connection of the rock bolt 1, the sensor 10 and the monitoring arrangement 15, and that the monitoring arrangement demonstrates evaluation means 35 intended to evaluate the presence of changes in the condition of the bolt, and signalling means 36 designed for the signalling of the condition of the bolt. The invention concerns also a method for the use of the said arrangement and a reinforcement system comprising such an arrangement.

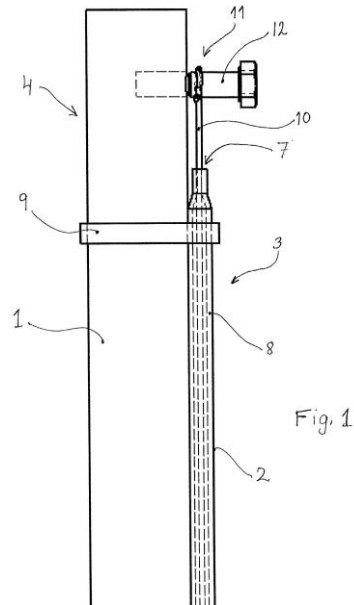


Fig. 1

21: 2017/03707. 22: 2017/05/30. 43: 2021/10/08
 51: E21D; G01L
 71: Rock Safety Sweden AB
 72: GUSTAFSSON, Leif
 33: SE 31: 1451357-6 32: 2014-11-13
**54: ARRANGEMENT FOR ROCK BOLTS AND A
 METHOD FOR THE USE OF THE
 ARRANGEMENT, AND A REINFORCEMENT
 SYSTEM COMPRISING SUCH AN
 ARRANGEMENT**

00: -
 The invention concerns an arrangement for a rock bolt 1 that is intended to be embedded in grout in a borehole 16, where the rock bolt is equipped with a longitudinal tube 2 with a passage 7, where an extended electrically conducting sensor 10 that is introduced into the passage of the tube and that the sensor is connected with the anchoring end of the rock bolt, a monitoring arrangement 15 designed to

21: 2017/03869. 22: 2017/06/06. 43: 2021/10/08
 51: C08F; C08L; C09D
 71: SWIMC LLC
 72: GIBANEL, Sebastien, PROUVOST, Benoit
 33: US 31: 62/096,573 32: 2014-12-24
**54: STYRENE-FREE COATING COMPOSITIONS
 FOR PACKAGING ARTICLES SUCH AS FOOD
 AND BEVERAGE CONTAINERS**

00: -
 A method of forming a coating on a food or beverage container, which includes spraying a coating composition onto an interior surface of the food or beverage container, where the coating composition includes an emulsion-polymerized latex copolymer having copolymer chains of one or more ethylenically-unsaturated monomers and one or more styrene offset monomers. Preferably, the coating composition is substantially free of BPA,

PVC, and styrene. The method may also include curing the sprayed coating composition, thereby providing the coating on the interior surface of the food or beverage container.

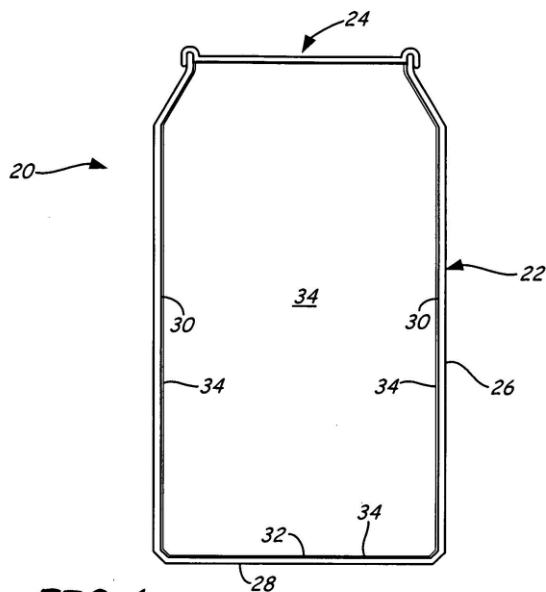


FIG. 1

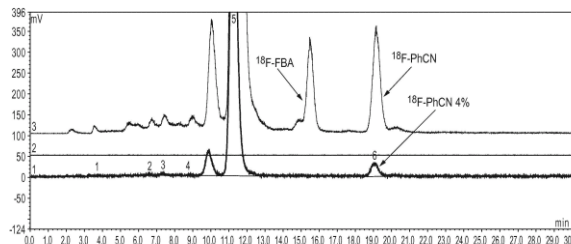


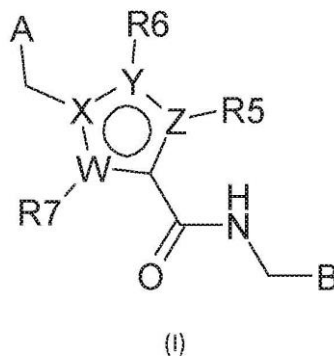
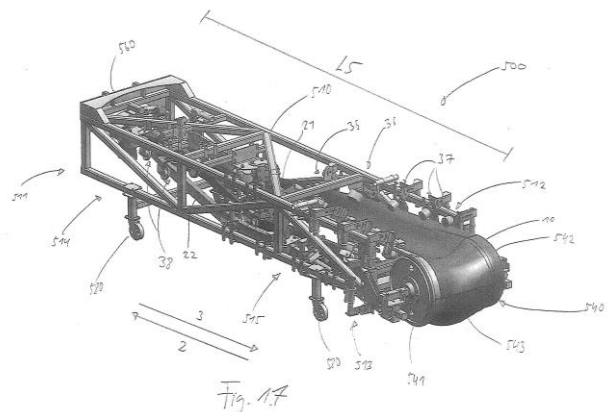
FIG. 1

21: 2017/04167. 22: 2017/06/19. 43: 2021/10/08
 51: A61K; C08J
 71: GE Healthcare Limited
 72: ENGELL, Torgrim, GRIGG, Julian, MANTZILAS, Dimitrios, EVJE, Dag M.
 33: US 31: 62/087,371 32: 2014-12-04
54: METHOD OF REMOVING ACETALDEHYDE FROM RADIOACTIVE PHARMACEUTICALS
 00: -

A method for removing or controlling or quantifying the presence of aldehydes, in particular acetaldehyde, is described. Such a method is useful in prolonging the shelf life of a pharmaceutical product.

21: 2017/04253. 22: 2017/06/22. 43: 2021/10/08
 51: B65G; E21F
 71: Sandvik Intellectual Property AB
 72: DAMPFHOFER, Stefan, RIEGER, Hubert
54: TRANSPORT UNIT, MATERIAL TRANSFER STRUCTURE, MATERIAL TRANSFER UNIT, MOBILE HAULAGE ARRANGEMENT METHOD
 00: -

The invention relates to a transport unit, a material transfer structure and a material transfer unit for a mobile haulage arrangement for continuously conveying fragmented material in a conveying direction. The invention further relates to a mobile haulage arrangement and a method for continuously conveying fragmented material in a conveying direction. The transport unit (100) comprises two ground transportation structures (110, 120); a support frame (130) suitable for fitting a belt of an enclosed belt conveyor (20) thereunder; the ground transportation structures comprising at least one height adjustment device; wherein the support frame comprises at least one connector (160), which is adapted for connecting a support structure thereto; and wherein the height adjustment devices (140, 150) are adapted to vary the position of at least a portion of the support frame in relation to the ground transportation structures.



21: 2017/04291. 22: 2017/06/23. 43: 2021/10/08
 51: A61K; A61P; C07H
 71: Emory University
 72: PAINTER, George R., GUTHRIE, David B.,
 BLUEMLING, Gregory R., NATCHUS, Michael G.
 33: US 31: 62/096,915 32: 2014-12-26
**54: N4-HYDROXYCYTIDINE AND DERIVATIVES
 AND ANTI-VIRAL USES RELATED THERETO**
 00: -

This disclosure relates to N4-hydroxycytidine derivatives, compositions, and methods related thereto. In certain embodiments, the disclosure relates to the treatment and prophylaxis of viral infections.

21: 2017/04324. 22: 2017/06/26. 43: 2021/10/08
 51: A61K; C07D
 71: KalVista Pharmaceuticals Limited
 72: DAVIE, Rebecca Louise, EDWARDS, Hannah Joy,
 EVANS, David Michael, HODGSON, Simon
 Teanby
 33: GB 31: 1421083.5 32: 2014-11-27
**54: N-((HET)ARYLMETHYL)-HETEROARYL-
 CARBOXAMIDES COMPOUNDS AS PLASMA
 KALLIKREIN INHIBITORS,**
 00: -

The present invention provides compounds of formula (I): (I) compositions comprising such compounds; the use of such compounds in therapy (for example in the treatment or prevention of a disease or condition in which plasma kallikrein activity is implicated); and methods of treating patients with such compounds; wherein R5, R6, R7, A, B, W, X, Y and Z are as defined herein.

21: 2017/04577. 22: 2017/07/06. 43: 2021/10/08
 51: A61P
 71: VIVUS, INC.
 72: GU, LEO, NAKAGAKI, PAUL C, BANAIT,
 NARINDER S
 33: US 31: 62/103,020 32: 2015-01-13
**54: COMBINATION THERAPY FOR PULMONARY
 HYPERTENSION**

00: -
 The present invention provides compositions and methods for the treatment of pulmonary hypertension using combination therapy. The combination therapy comprises a compound that increases BMPR2 signaling (BMPR2 activator) in combination with at least one other agent for the treatment of pulmonary hypertension. In certain aspects, the BMPR2 activator can be tacrolimus or a pharmaceutically acceptable solvate, salt, or prodrug thereof.

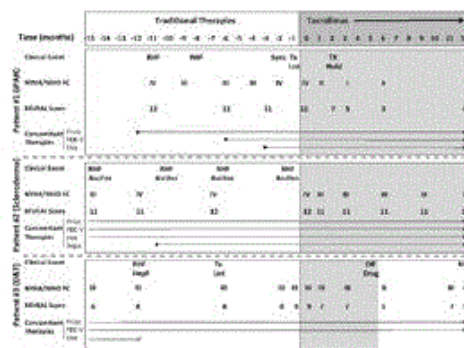


FIGURE 1

21: 2017/05374. 22: 2017/08/08. 43: 2021/10/08
 51: G01J
 71: TECHNOLOGICAL RESOURCES PTY.
 LIMITED

72: MURPHY, RICHARD J, MELKUMYAN, ARMAN, CHLINGARYAN, ANNA, NGUYEN, DAI BANG, WISHART, STUART, LOWE, ALEX, SCHEDING, STEVEN

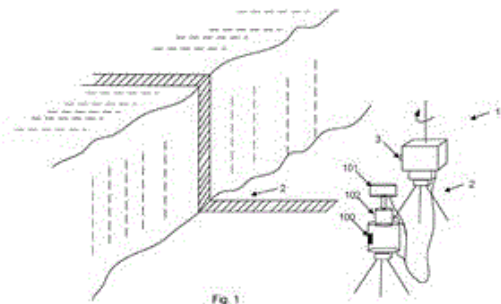
33: AU 31: 2015900094 32: 2015-01-14

33: AU 31: 2015901769 32: 2015-05-15

54: HYPERSPECTRAL IMAGER METHOD AND APPARATUS

00: -

A compact hyperspectral imager adapted to operate in harsh environments and to conduct post acquisition signal processing to provide automated and improved hyperspectral processing results is disclosed. The processing includes luminance and brightness processing of captured hyperspectral images, hyperspectral image classification and inverse rendering to produce luminance invariance image processing.



21: 2017/05501. 22: 2017/08/14. 43: 2021/10/08

51: C12N; A61K; C07K

71: NATIONAL UNIVERSITY OF SINGAPORE

72: CAMPANA, DARIO, KAMIYA, TAKAHIRO

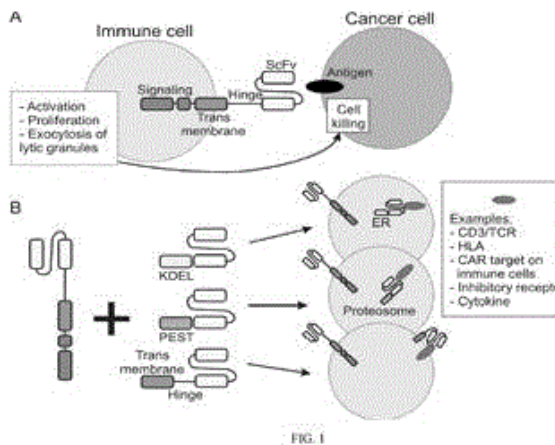
33: US 31: 62/130,970 32: 2015-03-10

33: US 31: 62/112,765 32: 2015-02-06

54: METHODS FOR ENHANCING EFFICACY OF THERAPEUTIC IMMUNE CELLS

00: -

The present invention relates to a method of using a receptor (e.g., chimeric antigen receptor - CAR) that activates an immune response upon binding a cancer cell ligand in conjunction with a target-binding molecule that targets a protein or molecule for removal or neutralization to generate enhanced anti-cancer immune cells. The present invention also relates to engineered immune cells having enhanced therapeutic efficacy and uses thereof.



21: 2017/05707. 22: 2017/08/22. 43: 2021/10/08

51: B01J

71: BASF CORPORATION, GEORGIA TECH RESEARCH CORPORATION

72: KARPOV, Andrey, PRELI, David, WASSERMANN, Knut, SUNDERMANN, Andreas, CHOI, Sang-IL, XIA, Younan

33: US 31: 62/109,500 32: 2015-01-29

54: RHODIUM-CONTAINING CATALYSTS FOR AUTOMOTIVE EMISSIONS TREATMENT

00: -

Catalytic materials, and in particular, rhodium-containing catalytic materials for exhaust gas purifying catalyst composites are provided herein. Such materials comprise multimetallic Rh-containing nanoparticles, which are present primarily inside aggregated particles of a support (such as alumina). Such catalytic materials can exhibit excellent conversion of hydrocarbons and nitrogen oxides.

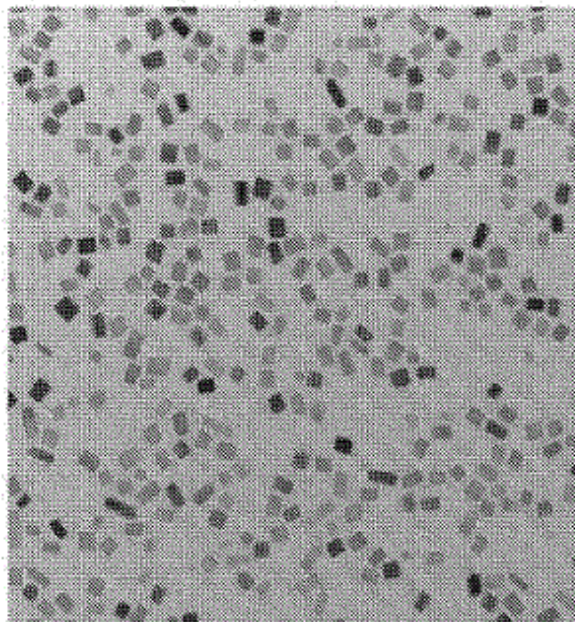


FIG. 1
Example 1.1

21: 2017/06008. 22: 2017/09/04. 43: 2021/10/08
51: A61K; C07D; A61P

71: ASTEX THERAPEUTICS LIMITED
72: BROGGINI, DIEGO FERNANDO DOMENICO
33: EP 31: 15154554.8 32: 2015-02-10
33: EP 31: 15188982.1 32: 2015-10-08

54: PHARMACEUTICAL COMPOSITIONS COMPRISING N-(3,5-DIMETHOXYPHENYL)-N'-(1-METHYLETHYL)-N-[3-(1-METHYL-1H-PYRAZOL-4-YL)QUINOXALIN-6-YL]ETHANE-1,2-DIAMINE

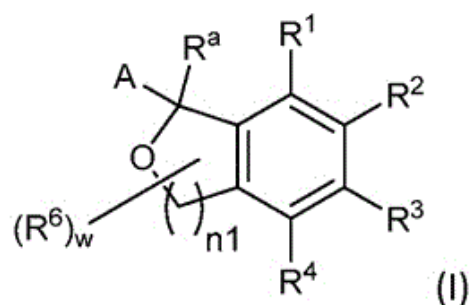
00: -
The invention relates to pharmaceutical compositions comprising N-(3,5-dimethoxyphenyl)-N'-(1-methylethyl)-N-[3-(1-methyl-1H-pyrazol-4-yl)quinoxalin-6-yl]ethane-1,2-diamine, or a pharmaceutically acceptable salt thereof or a solvate thereof; to processes for the preparation of said compositions and to the use of said compositions for the manufacture of a medicament for the prophylaxis of or the treatment, in particular the treatment, of diseases, e.g. cancer.

21: 2017/06073. 22: 2017/09/06. 43: 2021/10/08
51: C07D; A61K; A61P
71: SUNOVION PHARMACEUTICALS INC., PGI DRUG DISCOVERY LLC

72: XIE, LINGHONG, JONES, PHILIP GLYN, SPEAR, KERRY L, POWELL, NOEL AARON, HANANIA, TALEEN G, ALEXANDROV, VADIM
33: US 31: 62/115,064 32: 2015-02-11

54: 1-HETEROCYCLYL ISOCHROMANYL COMPOUNDS AND ANALOGS FOR TREATING CNS DISORDERS

00: -
Disclosed are compounds of Formula (I): (Formula (I)) and pharmaceutically acceptable salts thereof, wherein A, R^a, R¹, R², R³, R⁴, R⁶, w and n1 are defined and described herein; compositions thereof; and methods of use thereof. These compounds are useful for treating a variety of neurological and psychiatric disorders, such as those described herein.



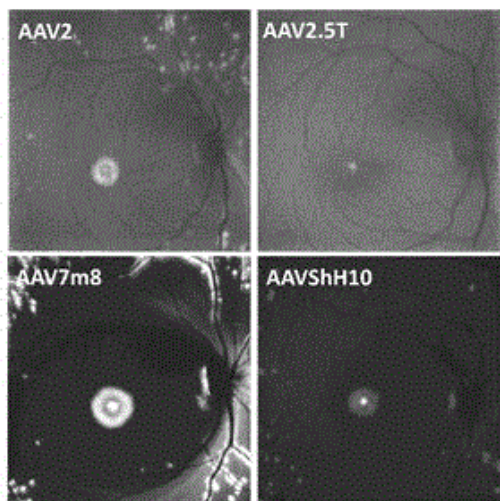
21: 2017/06166. 22: 2017/09/11. 43: 2021/10/08
51: A61P; C07K; C12N

71: ADVERUM BIOTECHNOLOGIES, INC., UNIVERSITY OF WASHINGTON
72: CHALBERG, THOMAS W, NEITZ, JAY, NEITZ, MAUREEN

33: US 31: 62/134,466 32: 2015-03-17
33: US 31: 62/127,194 32: 2015-03-02

54: COMPOSITIONS AND METHODS FOR INTRAVITREAL DELIVERY OF POLYNUCLEOTIDES TO RETINAL CONES

00: -
Methods and compositions are provided for intravitreally delivering a polynucleotide to cone photoreceptors. Aspects of the methods include injecting a recombinant adeno-associated virus comprising a polynucleotide of interest into the vitreous of the eye. These methods and compositions find particular use in treating ocular disorders associated with cone dysfunction and/or death.



21: 2017/06285. 22: 2017/09/15. 43: 2021/10/08
 51: C07K; C12N; A61P; A61K
 71: MEMORIAL SLOAN KETTERING CANCER CENTER

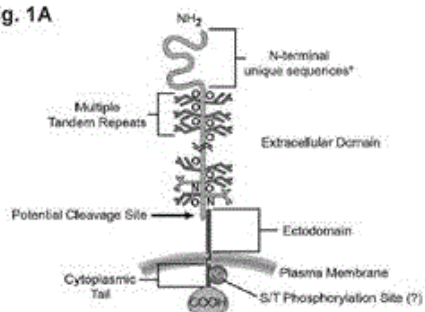
72: SPRIGGS, DAVID, FERNANDEZ-TEJADA, ALBERTO, THAPI, DHARMARAO

33: US 31: 62/134,402 32: 2015-03-17

54: ANTI-MUC16 ANTIBODIES AND USES THEREOF

00: -
 Provided herein are compositions, methods, and uses involving antibodies that immunospecifically bind glycosylated forms of MUC16, a tethered mucin protein. Also provided herein are uses and methods for managing, treating, or preventing disorders, such as cancer.

Fig. 1A



21: 2017/06427. 22: 2017/09/22. 43: 2021/10/08
 51: A61K; A61P
 71: TAKEDA PHARMACEUTICAL COMPANY LIMITED

72: YAMANE, IKURO, NOMURA, YUKIHIRO, NISHIMOTO, YUTAKA, HOSHINA, WATARU
 33: JP 31: 2015-037462 32: 2015-02-26

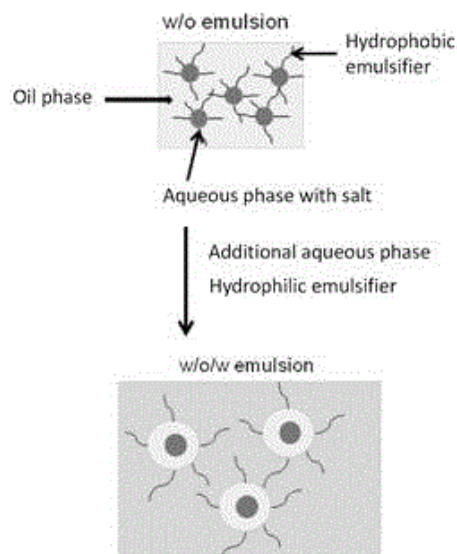
54: SOLID PREPARATION

00: -
 Provided are: a solid preparation which improves the stability of N-(4-(1-(2,6-difluorobenzyl)-5-((dimethyl amino)methyl)-3-(6-methoxy-3-pyridazinyl)-2,4-dioxo-1,2,3,4-tetrahydrothieno[2,3-d]pyrimidine-6-yl)phenyl)-N'-methoxyurea and a salt thereof which are present in the solid preparation; and a method for stabilizing the compound in the solid preparation. A tablet containing the compound in an amount equal to at least 25 mass%; a solid preparation containing (1) the compound, and (2) a low-melting-point oil/fat-like substance selected from polyethylene glycol, glyceryl monostearate, and triethyl citrate; a method for stabilizing the compound present in the tablet and characterized by formulating the compound in an amount equal to at least 25 mass%; and a method for stabilizing the compound and characterized by formulating a low-melting-point oil/fat-like substance selected from polyethylene glycol, glyceryl monostearate, and triethyl citrate in a solid preparation containing the compound.

21: 2017/07394. 22: 2017/10/31. 43: 2021/10/08
 51: A61K; C09D; A01N; C08J
 71: AGROFRESH INC.
 72: GHOSH, TIRTHANKAR
 33: US 31: 62/157,588 32: 2015-05-06

54: STABLE EMULSION FORMULATIONS OF ENCAPSULATED VOLATILE COMPOUNDS

00: -
 The present invention is based on the discovery of a stable water-in-oil-in-water double emulsion. The double emulsion composition disclosed may contain molecular complex of volatile compounds for example 1-methylcyclopropene (1-MCP). In addition, the double emulsion composition disclosed can provide prolong or controlled release of the volatile compounds.



21: 2017/07419. 22: 2017/11/01. 43: 2021/10/08
 51: A61K; A61P
 71: JIANGSU TASLY DIYI PHARMACEUTICAL CO., LTD.
 72: CHEN, Jianming, GAO, Bao'an, ZHOU, Qinqin, WANG, Guocheng, YANG, Guojun, LIU, Wenli
 33: CN 31: 201510227743.7 32: 2015-05-06
54: CABAZITAXEL FAT EMULSION INJECTION, AND PREPARATION METHOD AND USE THEREOF

00: -
 Provided in the present invention is a cabazitaxel fat emulsion injection, wherein the cabazitaxel fat emulsion injection contains cabazitaxel, a medium chain triglyceride for injection, and lecithin. Also provided in the present invention are the method for preparing the cabazitaxel fat emulsion injection and the use thereof in preparing a drug for treating prostate cancer.

21: 2017/07732. 22: 2017/11/15. 43: 2021/11/29
 51: C07K
 71: AMGEN RESEARCH (MUNICH) GMBH
 72: Tobias RAUM, Peter KUFER, Jochen PENDZIALEK, Claudia BLUEMEL, Christoph DAHLHOFF, Patrick HOFFMANN, Ralf LUTTERBUENSE, Elisabeth NAHRWOLD
 33: US 31: 62/199,930 32: 2015-07-31
 33: US 31: 62/290,896 32: 2016-02-03
54: BISPECIFIC ANTIBODY CONSTRUCTS BINDING DLL3 AND CD3

00: -
 The present invention relates to a bispecific antibody construct comprising a first binding domain which

binds to human DLL3 on the surface of a target cell and a second binding domain which binds to human CD3 on the surface of a Tcell. Moreover, the invention provides a polynucleotide encoding the antibody construct, a vector comprising said polynucleotide and a host cell transformed or transfected with said polynucleotide or vector. Furthermore, the invention provides a process for the production of the antibody construct of the invention, a medical use of said antibody construct and a kit comprising said antibody construct.

21: 2017/07890. 22: 2017/11/21. 43: 2021/11/29
 51: A61K; C07K; A61P
 71: MACROGENICS, INC.
 72: Ross LA MOTTE-MOHS, Kalpana SHAH, Douglas, H. SMITH, Leslie, S. JOHNSON, Paul, A. MOORE, Ezio BONVINI, Scott KOENIG
 33: US 31: 62/172,277 32: 2015-06-08
 33: US 31: 62/255,094 32: 2015-11-13
54: LAG-3-BINDING MOLECULES AND METHODS OF USE THEREOF

00: -
 The present invention is directed to the anti -LAG-3 antibodies, LAG-3 mAb 1, LAG-3 mAb 2, LAG-3 mAb 4, LAG-3 mAb 5, and LAG-3 mAb 6, and to humanized and chimeric versions of such antibodies. The invention additionally pertains to LAG-3 – binding molecules that comprise LAG-3 binding fragments of such anti-LAG-3 antibodies, immunoconjugates, and to bispecific molecules, including diabodies, BiTEs, bispecific antibodies, etc., that comprise (i) such LAG-3-binding fragments, and (ii) a domain capable of binding an epitope of a molecule involved in regulating an immune check point present on the surface of an immune cells. The present invention also pertains to methods of detecting LAG-3, as well as methods of using molecules that bind LAG-3 for stimulating immune responses.

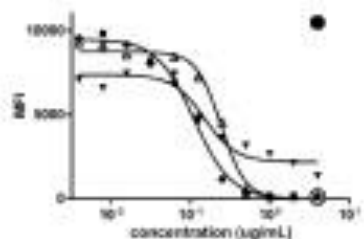
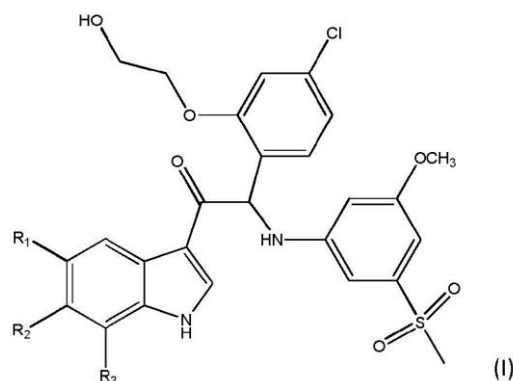


Figure 10B

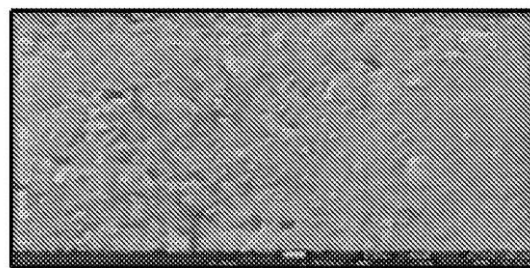


21: 2018/01765. 22: 2018/03/15. 43: 2021/10/15
 51: A61K; A61P; C07D
 71: Janssen Pharmaceuticals, Inc., Katholieke Universiteit Leuven
 72: KESTELEYN, Bart Rudolf Romanie, RABOISSON, Pierre Jean-Marie Bernard, BONFANTI, Jean-François, JONCKERS, Tim Hugo Maria, BARDIOT, Dorothee Alice Marie-Eve, MARCHAND, Arnaud Didier M.
 33: EP(BE) 31: 15185523.6 32: 2015-09-16
54: MONO- OR DI-SUBSTITUTED INDOLE DERIVATIVES AS DENGUE VIRAL REPLICATION INHIBITORS

00: -
 The present invention concerns mono- or di-substituted indole compounds of formula (I), methods to prevent or treat dengue viral infections by using said compounds and also relates to said compounds for use as a medicine, more preferably for use as a medicine to treat or prevent dengue viral infections. The present invention furthermore relates to pharmaceutical compositions or combination preparations of the compounds, to the compositions or preparations for use as a medicine, more preferably for the prevention or treatment of dengue viral infections. The invention also relates to processes for preparation of the compounds.

21: 2018/02873. 22: 2018/05/02. 43: 2021/10/15
 51: B01J; C05G
 71: SABIC Global Technologies B.V.
 72: POSADA, Christina, HAIGH, James, KANAGALINGAM, Sabeshan, HARPER, Travis, KANNAN, Ganesh
 33: US 31: 62/255,681 32: 2015-11-16
54: METHODS OF MANUFACTURE FOR COATED GRANULAR FERTILIZERS

00: -
 A process of manufacturing a coated fertilizer comprising: providing at least partially coated fertilizer granules having an at least partial coating comprising a polymer and a wax; and conditioning the at least partially coated fertilizer granules at a temperature of 40 to 130°C for a time of 1 minute to 4 hours, to form a coating comprising interpenetrating domains comprising polymer domains and wax domains.



21: 2018/02943. 22: 2018/05/04. 43: 2021/10/15
 51: A61K; A61Q
 71: Colgate-Palmolive Company
 72: NAWROCKI, Shiri, DUBOVOY, Viktor, PAN, Long, HAO, Zhigang, DOGU, Nihal
 33: US 31: 62/273,304 32: 2015-12-30
54: ORAL CARE COMPOSITIONS
 00: -

Provided are aqueous soluble tin phosphate complexes formed from a mixture comprising tin (II) fluoride or tin (II) chloride and a tripolyphosphate salt, e.g., sodium tripolyphosphate (Na₅P₃O₁₀), and oral care compositions comprising the complex and uses thereof.

21: 2018/03104. 22: 2018/05/11. 43: 2021/10/15

51: A61K; A61Q

71: Colgate-Palmolive Company

72: EVANS, Lauren, HASSAN, Mahmoud

33: US 31: 14/974,723 32: 2015-12-18

54: TOOTH WHITENING COMPOSITIONS COMPRISING PEROXIDE COMPLEX AND PERCARBONATE SALT

00: -

Disclosed herein are tooth whitening compositions comprising a peroxide complex comprising hydrogen peroxide and an N-vinyl heterocyclic polymer; sodium percarbonate; and at least one hydrophobic polymer carrier, wherein the hydrogen peroxide of the peroxide complex is present in the tooth whitening composition in an amount ranging from about 3% to about 5% by weight. Further disclosed herein are methods for whitening a surface of a tooth comprising applying a tooth whitening composition as disclosed herein and methods for making a tooth whitening composition.

21: 2018/03200. 22: 2018/05/15. 43: 2021/10/15

51: E21B

71: SMITH INTERNATIONAL, INC.

72: AZAR, Michael G., VALLIYAPPAN, Somasundaram, GREGG, Jason R., SELF, Jordan Mark, SPAGNOLETTI, Keisha Marie, BARR, Alexei Jozef, DURAIRAJAN, Balasubramanian

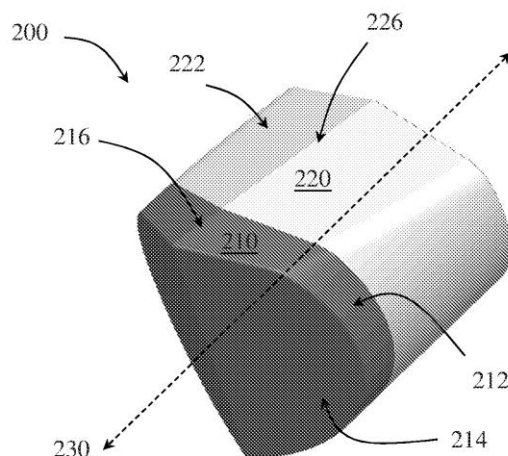
33: US 31: 62/257,596 32: 2015-11-19

54: FIXED CUTTER BITS AND OTHER DOWNHOLE TOOLS HAVING NON-PLANAR CUTTING ELEMENTS THEREON

00: -

A downhole cutting tool includes a body having a central axis extending therethrough, a plurality of blades extending outwardly from the body and converging towards a central region around the central axis, and at least one cutting element having a longitudinal axis, a non-cylindrical substrate, and

an ultra-hard material body on the non-cylindrical substrate, the ultra-hard material body having a side surface extending around a cutting face and defining a cross-sectional shape of the ultra-hard material body, and the side surface comprising an edge having an inner angle of less than 180 degrees.



21: 2018/03356. 22: 2018/05/21. 43: 2021/11/29

51: A01N

71: BioPharm NZ Limited

72: Michael-John Joseph BARRY, Bernard KIMBLE

33: ZA 31: 2015/08774 32: 2015-12-01

54: FUNGICIDE PREPARATION

00: -

The present invention relates to a bispecific antibody construct comprising a first binding domain which binds to human DLL3 on the surface of a target cell and a second binding domain which binds to human CD3 on the surface of a Tcell. Moreover, the invention provides a polynucleotide encoding the antibody construct, a vector comprising said polynucleotide and a host cell transformed or transfected with said polynucleotide or vector. Furthermore, the invention provides a process for the production of the antibody construct of the invention, a medical use of said antibody construct and a kit comprising said antibody construct.

21: 2018/03398. 22: 2018/05/22. 43: 2021/10/15

51: C11D

71: Colgate-Palmolive Company

72: VALDEPENA, Israel Hernandez, MALDONADO, Raul Arellano, AMBUNDO, Edna, TOVAR PESCADOR, Jose Javier

54: FABRIC SOFTENING COMPOSITIONS

00: -
Described herein are fabric softening compositions comprising a quaternary ammonium compound, an edible-type tallow, isopropyl alcohol, and a plasticizer comprising an iso-methyl group. Methods of making and using the fabric softening compositions are also described herein.

21: 2018/03550. 22: 2018/05/29. 43: 2021/10/15
51: A61K

71: Colgate-Palmolive Company
72: DUBOVOY, Viktor, MASTRULL, Jeffrey, TALANCON, Daniel, SANTOS, David, DU-THUMM, Laurence D., PAN, Long, CAZES, Abraham, VALENCIA GARCIA, Enrique

54: CLEANSING BARS

00: -
Described herein, are personal care compositions comprising a cleanser base comprising at least one cleanser selected from a soap and a surfactant; and an effective amount of an antibacterial system comprising a combination of phenoxyethanol and piroctone, or a salt thereof. Methods of making and using these compositions are also described.

21: 2018/03652. 22: 2018/05/31. 43: 2021/10/15
51: E21B

71: SMITH INTERNATIONAL, INC.
72: BAO, Yahua, BELNAP, John Daniel
33: US 31: 62/267,262 32: 2015-12-14

54: DIRECT CASTING OF ULTRAHARD INSERT IN BIT BODY

00: -
A cutting bit includes a body, a plurality of blades, and at least one ultrahard insert cast directly into at least one of the plurality of blades. The ultrahard insert is positioned with a rear face directly contacting the blade.

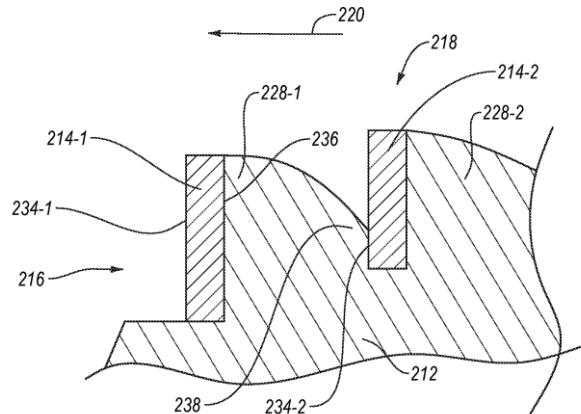


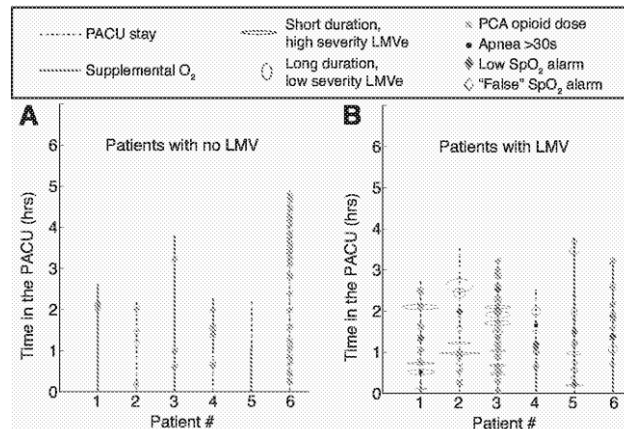
FIG. 4

21: 2018/03780. 22: 2018/06/07. 43: 2021/10/15
51: A61B

71: RESPIRATORY MOTION, INC.
72: FREEMAN, Jenny E., BRAYANOV, Jordan, EVERSOLE, Daniel, BOCK, Malcolm G.
33: US 31: 62/267,787 32: 2015-12-15
33: US 31: 62/270,413 32: 2015-12-21
33: US 31: 62/416,400 32: 2016-11-02

54: EVALUATION OF RESPIRATORY VOLUME MONITORING TO DETECT RESPIRATORY COMPROMISE BEFORE PULSE OXIMETRY AND ELIMINATE FALSE DESATURATION ALARMS

00: -
Systems and methods of leveraging high-fidelity continuous respiratory volume monitoring for rapid patient assessment are disclosed herein.



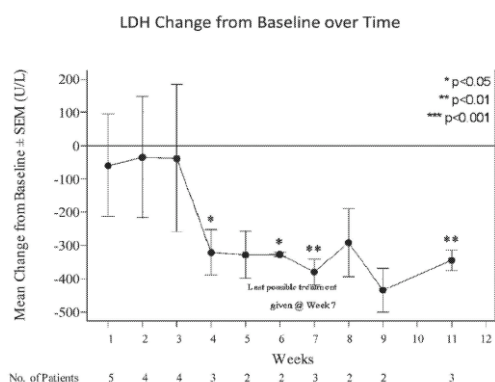
21: 2018/03842. 22: 2018/06/08. 43: 2021/10/15
51: A61K; A61P; C07K
71: Omeros Corporation, University of Leicester
72: DEMOPULOS, Gregory A., DUDLER, Thomas, SCHWAEBLE, Hans-Wilhelm

33: US 31: 62/252,814 32: 2015-11-09

54: METHODS FOR TREATING CONDITIONS ASSOCIATED WITH MASP-2 DEPENDENT COMPLEMENT ACTIVATION

00: -

In one aspect, the invention provides methods of inhibiting the effects of MASP-2-dependent complement activation in a human subject suffering from TMA associated with hematopoietic stem cell transplant. The methods comprise the step of administering, to a subject in need thereof, an amount of a MASP-2 inhibitory agent effective to inhibit MASP-2-dependent complement activation.



21: 2018/03957. 22: 2018/06/13. 43: 2021/10/15

51: A61K; A61Q

71: Colgate-Palmolive Company

72: PLATA, Rolando B., CHAVAN, Devendra, POTNIS, Shashank Vishwanath, JHA, Manisha

33: IN 31: 4261/DEL/2015 32: 2015-12-23

54: STORAGE-STABLE SOLID PEROXYMONOSULFATE COMPOSITION

00: -

A storage-stable solid composition comprising a tooth whitening effective amount of a particulated inorganic salt of peroxymonosulfate, and a particulated drying agent.

21: 2018/04034. 22: 2018/06/15. 43: 2021/10/15

51: A61K; C07K

71: Novo Nordisk A/S

72: CHEN, Jianhe, LAU, Jesper F., KODRA, János Tibor, WIECZOREK, Birgit, LINDEROTH, Lars, THØGERSEN, Henning, RASMUSSEN, Salka Elbøl, GARIBAY, Patrick William

33: PCT/CN 31: 2016/070791 32: 2016-01-13

54: EGF(A) ANALOGUES WITH FATTY ACID SUBSTITUENTS

00: -

The invention relates to compounds derived from the EGF(A) domain of LDL-R, in particular compounds comprising a peptide analogue of the wild-type EGF(A) (LDL-R(293- 332)) sequence and at least one substituent comprising at least one fatty acid group. The invention also relates to a pharmaceutical composition thereof and use a medicament. The novel EGF(A) compounds of the invention are useful as treatment e.g. in the field of cholesterol lowering, dyslipidaemia and cardiovascular disease.

21: 2018/04041. 22: 2018/06/15. 43: 2021/10/15

51: B23P; E21B

71: SMITH INTERNATIONAL, INC.

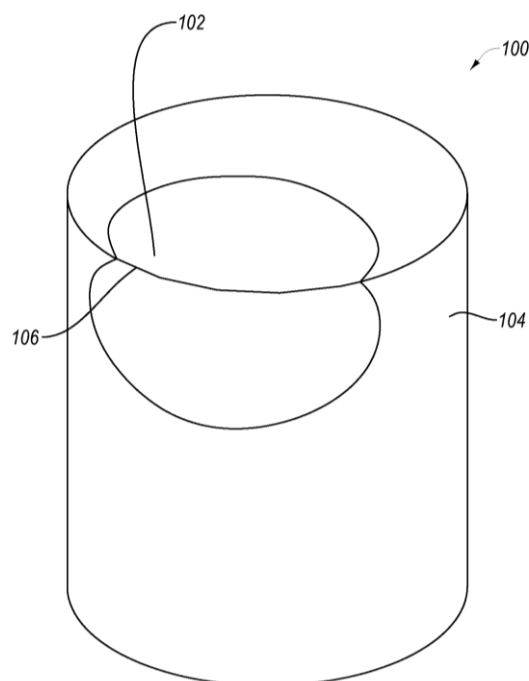
72: ELDREDGE, Ryan Worth, CARON, Gregory, LUND, Jeffrey Bruce

33: US 31: 62/267,262 32: 2015-12-14

54: MECHANICAL LOCKING OF OVOID CUTTING ELEMENT WITH CARBIDE MATRIX

00: -

A cutting assembly for use in a drill bit has an ovoid insert including an ultrahard material. The ovoid insert is cast in a matrix such that the matrix surrounds at least part of the ovoid insert, limiting movement of the ovoid insert. Material is removed from the top surface and sidewall of the cutting assembly to produce a cutting edge.



21: 2018/04060. 22: 2018/06/18. 43: 2021/11/10
51: A61K; A61P

71: RIGSHOSPITALET, UNIVERSITY OF COPENHAGEN

72: NIELSEN, Christoffer, BEHRENDT, Niels, ENGELHOLM, Lars Henning

33: DK 31: PA 2016 70063 32: 2016-02-05

33: DK 31: PA 2016 70834 32: 2016-10-24

54: ANTIBODY-DRUG CONJUGATES TARGETING uPARAP

00: -

The present invention relates to conjugates targeting uPARAP, in particular antibody- drug conjugates (ADCs) comprising monoclonal antibodies directed against the N- terminal region of uPARAP, and their use in delivery of active agents to cells and tissues expressing uPARAP. The invention further relates to the use of said ADCs in the treatment of diseases involving uPARAP expressing cells, such as cancer.

21: 2018/04201. 22: 2018/06/22. 43: 2021/10/15
51: C12N; C12P; C12R

71: BISIY GMBH

72: VOGL, Thomas, GLIEDER, Anton

33: EP 31: 15202233.1 32: 2015-12-22

54: YEAST CELL

00: -

The present invention relates to a yeast cell of the Komagataella genus comprising an orthologous promoter of a methylotrophic yeast cell or a variant thereof inducible by derepression, wherein the orthologous promoter is an orthologous formate dehydrogenase (FMD) promoter of a methylotrophic yeast cell.

21: 2018/04213. 22: 2018/06/22. 43: 2021/10/15
51: A23C

71: The Coca-Cola Company

72: NAKAMURA, Mayumi

33: JP 31: 2015-230454 32: 2015-11-26

54: MILKY BEVERAGE, METHOD FOR PRODUCING MILKY BEVERAGE, AND METHOD FOR IMPROVING FLAVOR OF MILKY BEVERAGE

00: -

[Problem] To provide a milky beverage that is rich in flavor. [Solution] A milky beverage containing proline. The milky beverage may have a fermented milk flavor. The milky beverage may contain less than 3.0% of non-fat milk solids, and may contain less than one million lactic acid bacteria or yeasts

per 1 mL. The milky beverage may also be a yogurt-flavored soft drink. The milky beverage need not contain any amino acids other than proline. The milky beverage can be stored at room temperature.

21: 2018/04289. 22: 2018/06/26. 43: 2021/10/15
51: C08K; C08L

71: Qenos Pty Ltd

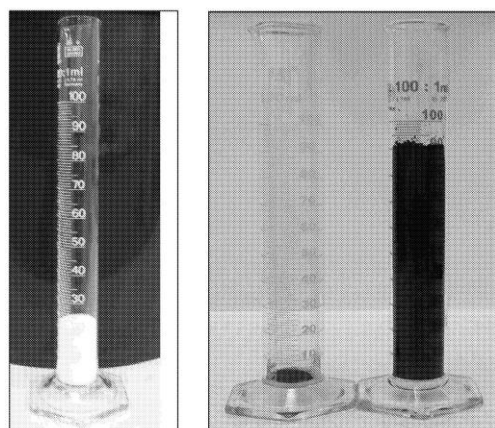
72: ADETUNJI, Philip, NAEBE, Minoo, FRIGO, Paul, EGAN, Brian

33: AU 31: 2016900120 32: 2016-01-15

54: PROCESS FOR PREPARATION OF POLYETHYLENE NANOCOMPOSITE

00: -

The invention provides a process for preparation of a polyethylene nanocomposite comprising dispersing a base polyethylene resin and planar carbon nanoparticles in an inert liquid at conditions under which the base polyethylene resin is not solubilised in the inert liquid, and removing an amount of the liquid sufficient to provide a dispersion of the planar carbon nanoparticles in the base polyethylene resin.



a) PE100
(10g)

b) carbon black
(0.2g)

c) xGnP2
(0.2g)

21: 2018/04295. 22: 2018/06/26. 43: 2021/10/15
51: C12N; C12Q

71: PUBLIC UNIVERSITY CORPORATION YOKOHAMA CITY UNIVERSITY

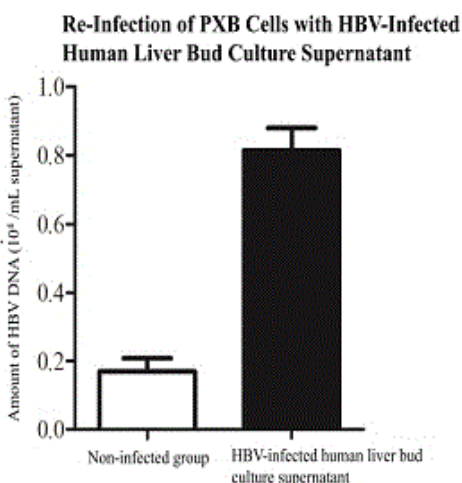
72: TANIGUCHI, HIDEKI, MURATA, SOICHIRO, NIE, YUNZHONG, MIYAKAWA, KEI, RYO, AKIHIDE, TAKEBE, TAKANORI

33: JP 31: 2015-249520 32: 2015-12-22

54: VIRUS INFECTION MODEL, PREPARATION METHOD THEREFOR, AND UTILIZATION THEREOF

00: -
 Provided is a virus infection model with which the shortcomings of conventional hepatitis virus infection models are overcome. The present invention provides a method for building a virus infection model with which it is possible to reproduce a viral life cycle, including infecting, with the virus, a cell aggregate formed by culturing tissue or organ cells in vitro. The virus infection model is a virus infection model with which it is possible to reproduce a viral life cycle including a cell aggregate infected with the virus, wherein the cell aggregate is formed by culturing tissue or organ cells in vitro. The present invention provides a method for screening for substances possessing antiviral activity by using the virus infection model.

Fig. 5



21: 2018/04385. 22: 2018/06/29. 43: 2021/10/15
 51: A23G
 71: Société des Produits Nestlé S.A.
 72: MEUNIER, Vincent Daniel Maurice, DUPAS-LANGLET, Marina, MAHIEUX, Julien Philippe Nicolas, WHITEHOUSE, Andrew Steven, FORNY, Laurent
 33: EP(CH) 31: 15197120.7 32: 2015-11-30

54: BULK SUGAR REPLACER

00: -
 The present invention relates to amorphous porous particles comprising sugar, a bulking agent and surfactant, having a closed porosity of between 20 to 60% a sphericity of at least between 0.8 and 1. In a further aspect the present invention relates to a process of making said amorphous porous particles and their use as bulk sugar replacers in food

products such as fat based confectionery products for example, chocolate.

21: 2018/04386. 22: 2018/06/29. 43: 2021/10/15
 51: A23G
 71: Société des Produits Nestlé S.A.
 72: DE ACUTIS, Rodolfo, WHITEHOUSE, Andrew Steven, FORNY, Laurent, MEUNIER, Vincent Daniel Maurice, DUPAS-LANGLET, Marina, MAHIEUX, Julien Philippe Nicolas
 33: EP(CH) 31: 15197120.7 32: 2015-11-30

54: AMORPHOUS POROUS PARTICLES FOR REDUCING SUGAR IN FOOD

00: -
 The present invention relates to amorphous porous particles comprising sugar, a bulking agent and surfactant, having a closed porosity of between 20 to 60%. Further aspects of the invention relate to a food product comprising the amorphous porous particles; a process of making the amorphous porous particles and a fat based confectionery product containing them; and the use of the amorphous porous particles as bulk sugar replacers in food products such as fat based confectionery products for example, chocolate.

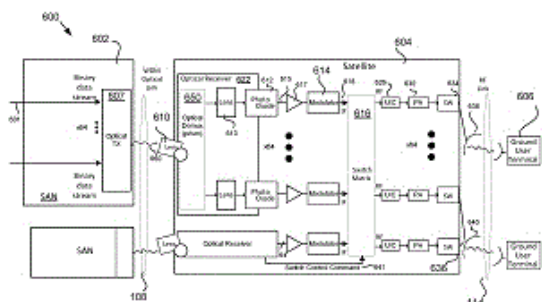
21: 2018/05048. 22: 2018/07/26. 43: 2021/10/15
 51: A61K
 71: AMICUS THERAPEUTICS, INC.
 72: DO, HUNG V, KHANNA, RICHIE, GOTSCHALL, RUSSELL
 33: US 31: 15/394,135 32: 2016-12-29
 33: US 31: 62/300,479 32: 2016-02-26
 33: US 31: 62/315,412 32: 2016-03-30
 33: US 31: 62/431,791 32: 2016-12-08
 33: US 31: 62/402,454 32: 2016-09-30
 33: US 31: 62/272,890 32: 2015-12-30
 33: US 31: 62/428,867 32: 2016-12-01

54: AUGMENTED ACID ALPHA-GLUCOSIDASE FOR THE TREATMENT OF POMPE DISEASE

00: -
 A method for treating Pompe disease including administration of recombinant human acid α -glucosidase having optimal glycosylation with mannose-6-phosphate residues in combination with an amount of miglustat effective to maximize tissue uptake of recombinant human acid α -glucosidase while minimizing inhibition of the enzymatic activity of the recombinant human acid α -glucosidase is provided.

21: 2018/05081. 22: 2018/07/27. 43: 2021/10/07
 51: H04B
 71: VIASAT, INC.
 72: MENDELSON, AARON
 33: US 31: 62/273,730 32: 2015-12-31
54: BROADBAND SATELLITE COMMUNICATION SYSTEM USING OPTICAL FEEDER LINKS

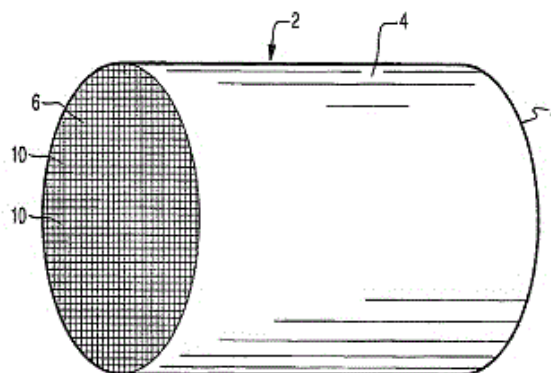
00: -
 Broadband satellite communications systems using optical feeder links are disclosed. Various optical modulation schemes are disclosed that can provide improved capacity for fixed spot beam, on board beamforming, and ground-based beamforming broadband satellite systems.



21: 2018/05242. 22: 2018/08/03. 43: 2021/10/15
 51: B01J; B01D
 71: BASF CORPORATION
 72: WEI, XINYI, XU, XIAOMING, ROTH, STANLEY
 33: US 31: 62/275,434 32: 2016-01-06
54: DIESEL OXIDATION CATALYST COMPRISING PLATINUM GROUP METAL NANOPARTICLES

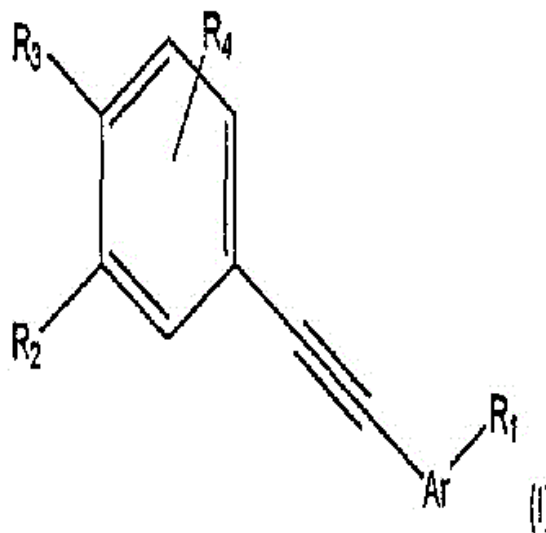
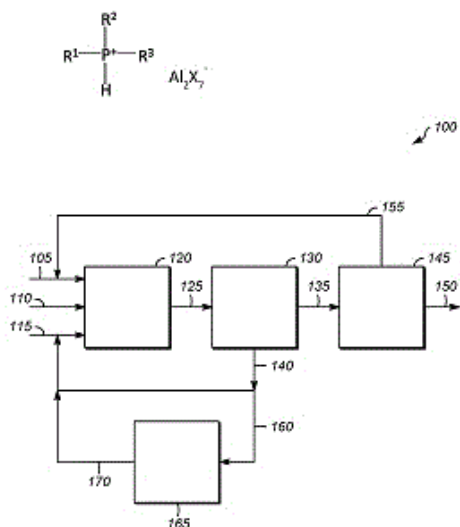
00: -
 The present invention relates to diesel oxidation catalyst compositions and catalyst articles, wherein the compositions and articles include a plurality of platinum group nanoparticles substantially in fully reduced form, wherein the nanoparticles have an average particle size of about 1 to about 10 nm and at least about 90% of the nanoparticles have a particle size of +/- about 2 nm of the average particle size. Such compositions can further include a refractory metal oxide material, wherein the nanoparticles and refractory metal oxide material can be combined within the same coating on a substrate or can be applied sequentially on a substrate. The nanoparticles can advantageously be substantially free of halides, alkali metals, alkaline

earth metals, sulfur compounds, and boron compounds. Methods of preparing and using such compositions and catalyst articles (e.g., for the treatment of diesel exhaust gas streams) are also provided herein.



21: 2018/05453. 22: 2018/08/15. 43: 2021/10/15
 51: C07F; C07C; B01J
 71: UOP LLC
 72: BUCHBINDER, AVRAM M, MARTINS, SUSIE C, NAFIS, DOUGLAS A, NUCCIARONE, DONATO
 33: US 31: 62/346,813 32: 2016-06-07
54: TRIALKYLPHOSPHONIUM IONIC LIQUIDS, METHODS OF MAKING, AND ALKYLATION PROCESSES USING TRIALKYLPHOSPHONIUM IONIC LIQUIDS

00: -
 A trialkylphosphonium haloaluminate compound having a formula: where R¹, R², and R³ are the same or different and each is independently selected from C₁ to C₈ hydrocarbyl; and X is selected from F, Cl, Br, I, or combinations thereof is described. An ionic liquid catalyst composition incorporating the trialkylphosphonium haloaluminate compound, methods of making the trialkylphosphonium haloaluminate compound, and alkylation processes incorporating the trialkylphosphonium haloaluminate compound are also described.



21: 2018/05456. 22: 2018/08/15. 43: 2021/10/15
 51: A61K; A61Q; C07C; C07D
 71: GALDERMA RESEARCH & DEVELOPMENT
 72: PORTAL, THIBAUD
 33: US 31: 62/290,707 32: 2016-02-03
54: NOVEL BIAROMATIC PROPYNYL COMPOUNDS, PHARMACEUTICAL AND COSMETIC COMPOSITIONS CONTAINING SAME, AND USES THEREOF

00: -
 The invention relates to novel compounds of general formula (I), as well as the use of said compounds in pharmaceutical compositions intended for use in human or veterinary medicine (dermatological, rheumatic, respiratory, cardiovascular and ophthalmologic disorders, in particular), or in cosmetic compositions.

21: 2018/05479. 22: 2018/08/16. 43: 2021/10/15
 51: G06Q
 71: PricewaterhouseCoopers LLP
 72: MUSIALA, Robert A. Jr., PROKOP, George
 33: US 31: 62/322,710 32: 2016-04-14
54: CRYPTOCONOMY SOLUTION FOR ADMINISTRATION AND GOVERNANCE IN A DISTRIBUTED SYSTEM

00: -
 A computer-implemented process, system, and computer readable medium are provided for administration and governance of fiat and cryptocurrency funds in a distributed computer system. In one example, a process includes, at an electronic device with one or more processors and memory, accessing a list of a plurality of participant nodes, which may include a fund administrator receiving a list of participants or nodes. The method further includes transferring crypto-currency (e.g., that is pegged to U.S. dollars, local currency, or the like) to one or more of the participant nodes. Each of the participant nodes may include an interface portal (e.g., a web-portal) for viewing transferred crypto-currency and for transacting (e.g., bidding, soliciting, etc.) with other participant nodes of the list of participant nodes with the crypto-currency.

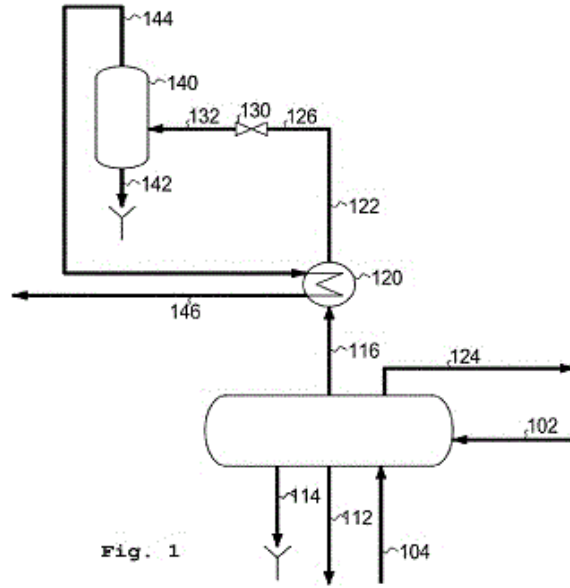
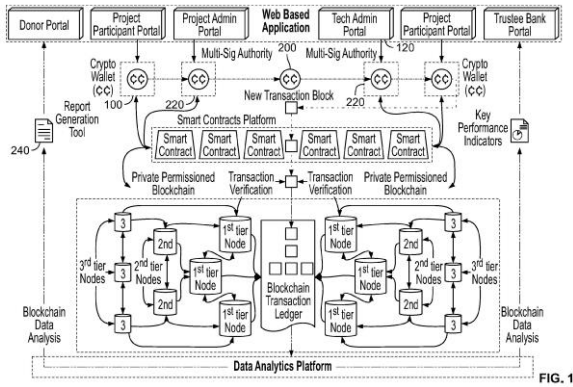


Fig. 1

21: 2018/05493. 22: 2018/08/16. 43: 2021/10/15
 51: C10L; C07C
 71: HALDOR TOPSØE A/S
 72: WIX, CHRISTIAN, HOLSTEBROE, MAJKEN
 33: DK 31: PA 2016 00156 32: 2016-03-14
54: PROCESS AND APPARATUS FOR THE PRODUCTION OF METHANATED GAS

00: -
 A process for the production of a methane-rich product gas from a syngas feed comprises (a) that recycle of part of the effluent from the methanation reactor(s) back to the feed stream to the reactor inlet comprises an ejector, (b) that said ejector functions with superheated steam, (c) that liquid water is removed downstream the throttling valve, (d) that the steam from the steam drum is split into a recycle stream and a stream to be exported, and (e) that isenthalpic throttling of at least a part of the steam from a steam drum is used followed by re-heating the steam with itself upstream the throttling valve without the need of a process-fired superheater.

21: 2018/05602. 22: 2018/08/22. 43: 2021/10/15
 51: H04W
 71: Huawei Technologies Co., Ltd.
 72: GAN, Ming
 33: CN 31: 201610416585.4 32: 2016-06-14
54: DATA TRANSMISSION METHOD AND APPARATUS

00: -
 Disclosed in embodiments of the present invention are a data transmission method and device, the data transmission method comprises: a site receiving a trigger frame sent by an access point, the trigger frame including an identifier of a target frequency domain resource unit (RU) allocated for the site; the site sending an uplink orthogonal frequency division multiple access physical layer protocol data unit (OFDMA PPDU), a data section of the OFDMA PPDU being sent in the target RU, a public physical layer leader code of the OFDMA PPDU being sent in at least one basic channel unit where the target RU is located; the site receiving a confirmation frame fed back for the OFDMA PPDU. By means of the embodiments of the present invention, the public physical layer leader code is configured to be sent in the at least one basic channel unit of the target RU, which improves spectrum utilization.

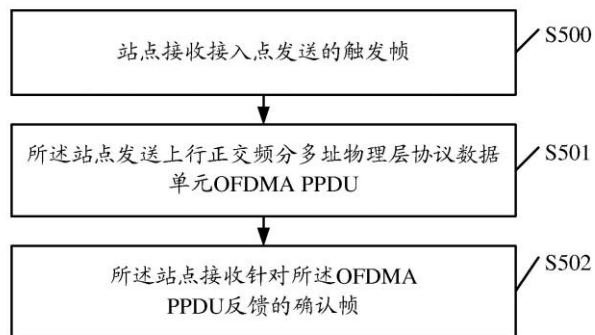


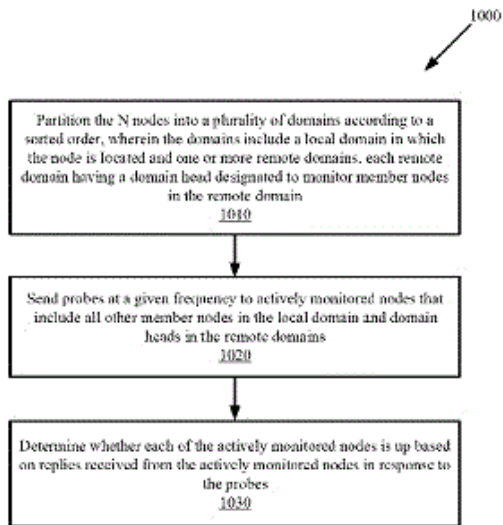
图 5

S500 A SITE RECEIVING A TRIGGER FRAME SENT BY AN ACCESS POINT
 S501 THE SITE SENDING AN UPLINK ORTHOGONAL FREQUENCY DIVISION
 MULTIPLE ACCESS PHYSICAL LAYER PROTOCOL DATA UNIT (OFDMA PPDU)
 S502 THE SITE RECEIVING A CONFIRMATION FRAME FED BACK FOR THE OFDMA
 PPDU

21: 2018/05649. 22: 2018/08/23. 43: 2021/10/15
 51: H04L
 71: TELEFONAKTIEBOLAGET LM ERICSSON
 (PUBL)
 72: MALOY, JON

**54: NEIGHBOR MONITORING IN A
 HYPERSCALED ENVIRONMENT**

00: -
 A network of N nodes performs a monitoring method, where the method is performed by each node. The N nodes are partitioned into domains according to a sorted order. The domains include a local domain in which the node is located and one or more remote domains. Each remote domain has a domain head designated to monitor member nodes in the remote domain. The node sends probes at a given frequency to actively monitored nodes that include all other member nodes in the local domain and domain heads in the remote domains. The node then determines whether each of the actively monitored nodes is up based on replies received from the actively monitored nodes in response to the probes.



21: 2018/05810. 22: 2018/08/29. 43: 2021/10/15
 51: A61K; A61P
 71: AB SCIENCE
 72: MOUSSY, ALAIN, KINET, JEAN-PIERRE,
 MANSFIELD, COLIN
 33: EP 31: 16162490.3 32: 2016-03-25

**54: USE OF MASITINIB FOR TREATMENT OF AN
 AMYOTROPHIC LATERAL SCLEROSIS PATIENT
 SUBPOPULATION**

00: -
 The present invention relates to a method for treating patients afflicted with non-aggressive or moderately aggressive amyotrophic lateral sclerosis (ALS) whose rate of change of the revised Amyotrophic Lateral Sclerosis Functional Rating Scale (ALSFRS-R) prior to treatment initiation is <1.1 points per month, said method comprising administering a tyrosine kinase inhibitor or mast cell inhibitor, in particular masitinib, or a pharmaceutically acceptable salt or solvate thereof, optionally in combination with at least one pharmaceutically active ingredient.

21: 2018/06056. 22: 2018/09/10. 43: 2021/10/15
 51: C12Q; C07H; C12N
 71: IRIDIA, INC.
 72: PREDKI, PAUL, CASSIDY, MAJA
 33: US 31: 62/301,538 32: 2016-02-29
 33: US 31: 62/415,430 32: 2016-10-31

**54: METHODS, COMPOSITIONS, AND DEVICES
 FOR INFORMATION STORAGE**

00: -
 The disclosure provides a novel system of storing information using a charged polymer, e.g., DNA, the

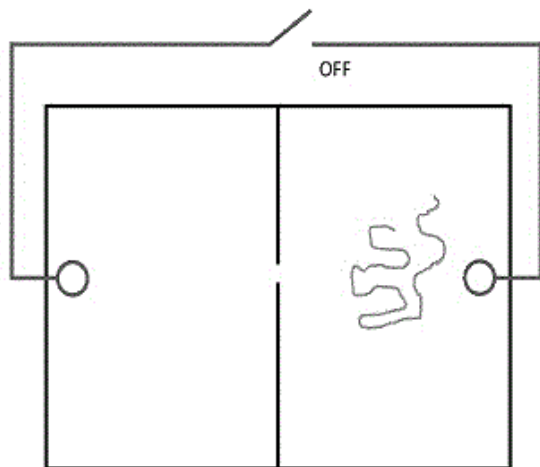
monomers of which correspond to a machine-readable code, e.g., a binary code, and which can be synthesized and/or read using a novel nanochip device comprising nanopores; novel methods and devices for synthesizing oligonucleotides in a nanochip format; novel methods for synthesizing DNA in the 3' to 5' direction using topoisomerase; novel methods and devices for reading the sequence of a charged polymer, e.g., DNA, by measuring capacitive variance as the polymer passes through the nanopore; and further provides compounds, compositions, methods and devices useful therein.

Knaifgas Microorganisms – Promising For Anabolic Synthesis On Producer Gas

Enzyme or Pathway	Reaction
Hydrogenase	$H_2 + NAD^+ \rightarrow NADH + H^+$
Carbon Monoxide Dehydrogenase	$CO + H_2O \rightarrow H_2 + CO_2$
Caldiate Phosphotransferase	$H_2 + 1/2 CO_2 + 2-3ADP + 2-3P_i \rightarrow HCO + 2-3ADP$
Covert C1/CO2 to Reverse TCA	$CO_2 \rightarrow CoA \rightarrow Acetyl-CoA$
Fatty Acid Biosynthesis (example)	$8 Acetyl-CoA + 7ATP + 9H_2O + 14NADH + 14H^+ \rightarrow Palmitic\ acid + 8CoA + 14NAD^+ + 7ADP + 9P$

- Can produce at least eight times more ATP per % of CO₂ consumed than methanogens or acetogens
- Anabolic synthesis more efficient, more carbon can be directed into the desired biomass product, rather than products of respiration such as methane or short chain organic acid (C2-C4)

© Kiverdi

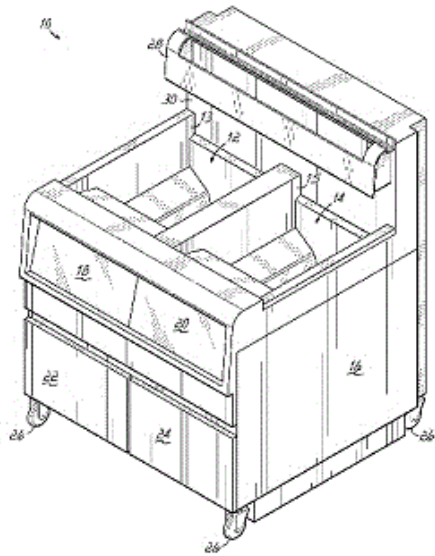


21: 2018/06090. 22: 2018/09/11. 43: 2021/10/15
 51: C12P; C25B; C12M; C12N
 71: KIVERDI, INC.
 72: REED, JOHN S, GELLER, JIL, HANDE, SONALI
 33: US 31: 62/310,705 32: 2016-03-19
 33: US 31: 62/454,347 32: 2017-02-03
54: MICROORGANISMS AND ARTIFICIAL ECOSYSTEMS FOR THE PRODUCTION OF PROTEIN, FOOD, AND USEFUL CO-PRODUCTS FROM C1 SUBSTRATES

00: -
 Microorganisms and bioprocesses are provided that convert gaseous C1 containing substrates, such as syngas, producer gas, and renewable H₂ combined with CO₂, into nutritional and other useful bioproducts.

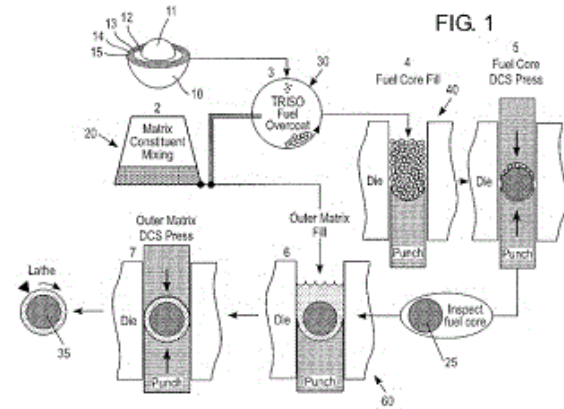
21: 2018/06276. 22: 2018/09/18. 43: 2021/10/15
 51: A23L; A47J; G05B; G05D
 71: HENNY PENNY CORPORATION
 72: GOGEL, MARK
 33: US 31: 62/309,650 32: 2016-03-17
54: TEMPERATURE MANAGEMENT OF COOKING MEDIUM IN FRYERS AROUND FILTRATION CYCLES

00: -
 Systems, methods, and computer program products are disclosed for controlling a fryer (10). In response to determining a filtration cycle (312) is scheduled to occur after a current cooking cycle, a temperature set-point (T_{SETJ}, T_{SETJ}) for a cooking medium (40) is increased to pre-heat the cooking medium (40) prior to the end of the cooking cycle. A heating element (32) used to heat the cooking medium (40) may be deactivated prior to entering the filtration cycle (312), and reactivated during the filtration cycle (312) in response to the filtered cooking medium (40) in the fry pot (12, 14) reaching a predetermined level. Activating the heating element (32) during the filtration cycle (312) may further heat the cooking medium (40) prior to starting the next cooking cycle, thereby reducing the total time needed for filtration and reheating for a subsequent cooking cycle.



21: 2018/06362. 22: 2018/09/21. 43: 2021/10/15
 51: G21C
 71: ULTRA SAFE NUCLEAR CORPORATION
 72: VENNERI, FRANCESCO
 33: US 31: 62/314,705 32: 2016-03-29
54: PROCESS FOR RAPID PROCESSING OF SIC AND GRAPHITIC MATRIX TRISO-BEARING PEBBLE FUELS

00: -
 A method for producing microencapsulated fuel pebble fuel more rapidly and with a matrix that engenders added safety attributes. The method includes coating fuel particles with ceramic powder; placing the coated fuel particles in a first die; applying a first current and a first pressure to the first die so as to form a fuel pebble by direct current sintering. The method may further include removing the fuel pebble from the first die and placing the fuel pebble within a bed of non-fueled matrix ceramic in a second die; and applying a second current and a second pressure to the second die so as to form a composite fuel pebble.



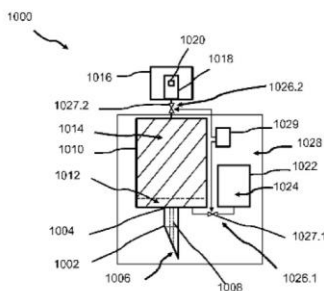
21: 2018/06405. 22: 2018/09/26. 43: 2021/11/29
 51: C21D; C23C
 71: ARCELORMITTAL
 72: Cédric GEORGES, Florin DUMINICA, Thierry STUREL, Pascal DRILLET
 33: IB 31: PCT/IB2016/000549 32: 2016-04-29
54: A PRESS HARDENING METHOD

00: -
 The present invention relates to a bispecific antibody construct comprising a first binding domain which binds to human DLL3 on the surface of a target cell and a second binding domain which binds to human CD3 on the surface of a Tcell. Moreover, the invention provides a polynucleotide encoding the antibody construct, a vector comprising said polynucleotide and a host cell transformed or transfected with said polynucleotide or vector. Furthermore, the invention provides a process for the production of the antibody construct of the invention, a medical use of said antibody construct and a kit comprising said antibody construct.

21: 2018/06808. 22: 2018/10/12. 43: 2021/11/29
 51: A61B
 71: MIDGE MEDICAL GMBH
 72: Michael DIEBOLD, Markus RIESTER, Jörn BUNGARTZ
 33: DE 31: 10 2016 207 815.1 32: 2016-05-04
54: BODY FLUID EXTRACTION DEVICE

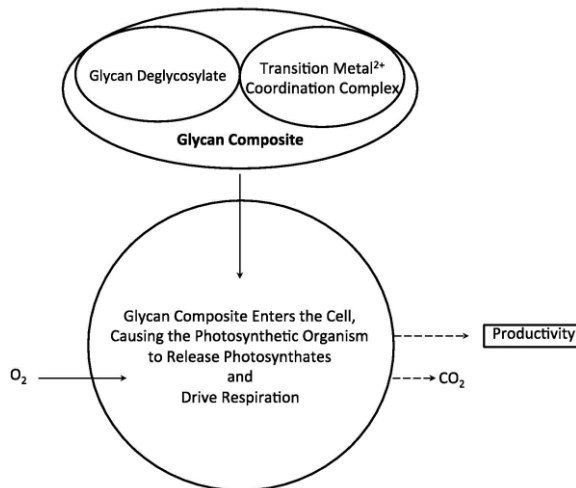
00: -
 A body fluid extraction device (1000) for extracting a body fluid and for testing a predetermined analyte or property of the fluid comprises a hollow needle (1006) having a channel (1008) linking a base end (1004) and a tip (1006) in fluid communication, a collection chamber (1010) having an input end (1012) in fluid communication with the channel, the

collection chamber comprising a capillary wick (1014) configured to transport at least a fraction of the body fluid away from the input end, a testing chamber (1016) comprising a testing unit (1018) that includes a reacting material (1020) configured to react to a predetermined analyte or property of the body fluid, a solution chamber (1022), comprising a buffer solution (1024) and flow control means (1026.1, 1026.2) configured to control, a first transfer of the buffer solution from the solution chamber to the collection chamber, and a second transfer of the body fluid from the collection chamber to the testing chamber.



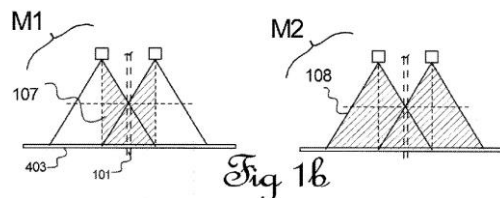
21: 2018/07329. 22: 2018/11/01. 43: 2021/10/08
 51: A01G; A01N; A01P; C07C; C07H
 71: Innovation Hammer LLC
 72: NONOMURA, Arthur M.
 33: US 31: 62/329,226 32: 2016-04-29
54: FORMULATIONS AND METHODS FOR TREATING PHOTOSYNTHETIC ORGANISMS AND ENHANCING QUALITIES AND QUANTITIES OF YIELDS WITH GLYCAN COMPOSITE FORMULATIONS

00: -
 Glycan Composites and methods for rendering glycan composites for the treatment of photosynthetic organisms, including the steps of formulating branched glycan deglycosylates into coordination complex compositions resulting in water-borne availability; stability during storage; applying a suitable volume of the resulting mixture to one or more photosynthetic organisms; delivery to photosynthetic organisms; metabolically based growth of crops; enhanced qualities and increased quantities of crops; and systems and compositions for the same.



21: 2018/07501. 22: 2018/11/08. 43: 2021/11/29
 51: B26D; F16P
 71: KANDO INNOVATION LIMITED
 72: Keith BLENKINSOPP, Niven Rhys BROWN, Nicholas Leon HILDRETH, Shaun HURD, Donald OXLEY, Winston Duang WICKHAM, Jonathan Tee WRIGLEY
 33: NZ 31: 720046 32: 2016-05-12
54: ENHANCED SAFETY ATTACHMENT FOR CUTTING MACHINE

00: -
 The safety attachment provides preferably 4 video cameras mounted around a bandsaw blade and looking parallel to the blade direction. Each camera CCD sensor is partly scanned in mode 1. In mode 1 an axis corner of each scanned area is aligned with the camera axis, produced to the table, defining a corner of a parallel-sided protected volume including the entire exposed blade. The blade is rapidly braked when the attachment detects a glove intrusion. In the alternative fully scanned mode 2 the protected area extends outside the mode 1 area and a warning only is emitted on intrusion.



21: 2019/00397. 22: 2019/01/21. 43: 2021/09/28
 51: H01H
 71: Eaton Intelligent Power Limited

72: ASKAN, Kenan, BARTONEK, Michael
33: DE 31: 10 2018 101 311.6 32: 2018-01-22

54: ELECTRICAL PROTECTION CIRCUIT ARRANGEMENT

00: -

In an electrical circuit breaker assembly (50) comprising a first outer conductor line (2) and a second outer conductor line (51), wherein the first outer conductor line (2) is arranged in the circuit in parallel to the second outer conductor line (51), wherein the first outer conductor line (2) has a first hybrid circuit breaker having a first and a second semiconductor assembly (11, 14), each controlled by a first electronic control unit (13), wherein the second outer conductor line (51) has a first hybrid circuit breaker having a third and a fourth semiconductor assembly (53, 54), each controlled by second electronic control unit (56), it is proposed that the first control unit (13) regulate the second semiconductor assembly (14) and the second control unit (56) regulate the fourth semiconductor circuit assembly (54) to balance a first current strength via the first outer conductor line (2) and a second current strength via the second outer conductor line (51), and/or the first control unit (13) and the second control unit (56) switch off the second outer conductor line (51) in the event of a first current strength and/or a second current strength less than a predefinable limiting value.

21: 2019/00833. 22: 2019/02/08. 43: 2021/09/28
51: A01N; A01P

71: Covestro LLC, Bayer CropScience LP
72: EKIN, Abdullah, THOMPSON-COLON, James A., PIKE, Timothy, GRACE, Scott, LI, Jinqi, REICHERT, Ronald, HANSON, William S.

33: US 31: 15/206,668 32: 2016-07-11

54: METHODS FOR TREATING SEEDS WITH AN AQUEOUS COMPOSTION AND SEEDS TREATED THEREWITH

00: -

Disclosed are methods for treating seeds with a seed treatment composition that includes: (A) an aqueous polyurethane dispersion; and (B) an insecticide, a fungicide, a nematicide, and/or other pesticides. Also disclosed are seeds treated with such a treatment compositions and methods for treating a seed using such treatment composition.

21: 2019/00834. 22: 2019/02/08. 43: 2021/09/28

51: A01N; A01P

71: Covestro LLC, Bayer CropScience LP, Covestro Deutschland AG

72: EKIN, Abdullah, THOMPSON-COLON, James A., PIKE, Timothy, GRACE, Scott, LI, Jinqi, DOERR, Sebastian, REICHERT, Ronald, HANSON, William S.

33: US 31: 15/206,719 32: 2016-07-11

54: AQUEOUS COMPOSITIONS FOR TREATING SEEDS, SEEDS TREATED THEREWITH, AND METHODS FOR TREATING SEEDS

00: -

Disclosed are seed treatment compositions that include: (a) an aqueous polyurethane dispersion; and (b) an insecticide, a fungicide, a nematicide, and/or other pesticides. Also disclosed are seeds treated with such a treatment compositions and methods for treating a seed using such treatment composition.

21: 2019/00835. 22: 2019/02/08. 43: 2021/09/28

51: A01N; A01P

71: Covestro LLC, Bayer CropScience LP

72: EKIN, Abdullah, THOMPSON-COLON, James A., PIKE, Timothy, GRACE, Scott, LI, Jinqi, REICHERT, Ronald, HANSON, William S.

33: US 31: 15/206,774 32: 2016-07-11

54: AQUEOUS COMPOSITIONS FOR TREATING SEEDS, SEEDS TREATED THEREWITH, AND METHODS FOR TREATING SEEDS

00: -

Disclosed are seed treatment compositions that include: (A) an aqueous polyurethane dispersion; and (B) an insecticide, a fungicide, a nematicide, and/or other pesticides. Also disclosed are seeds treated with such a treatment compositions and methods for treating a seed using such treatment composition.

21: 2019/01027. 22: 2019/02/18. 43: 2021/09/28

51: A23F

71: Société des Produits Nestlé S.A.

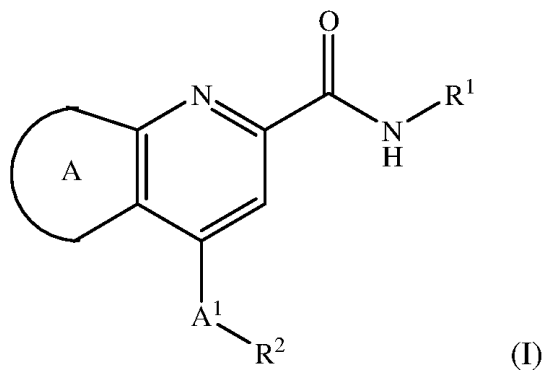
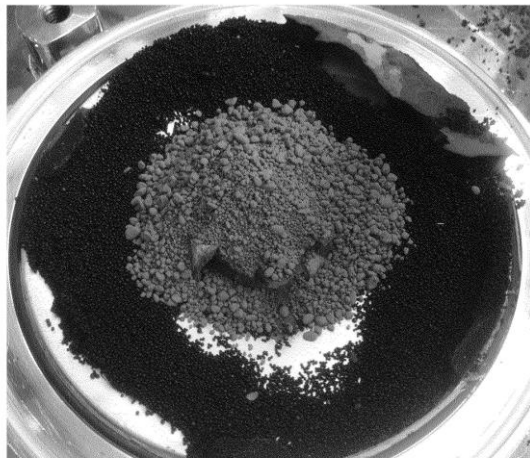
72: REH, Christoph, FRIES, Lennart, NIEDERREITER, Gerhard, PALZER, Stefan, MORA, Federico, MITCHELL, William Robert

33: EP(CH) 31: 16180070.1 32: 2016-07-19

54: COFFEE BEAN PARTICLES

00: -

The present invention relates to coffee bean particles with a D_{90} particle size of 50 microns or less and an oil content of 8% (weight/weight) or less, methods of producing coffee bean particles by de-oiling and milling of coffee beans, and use of coffee bean particles.



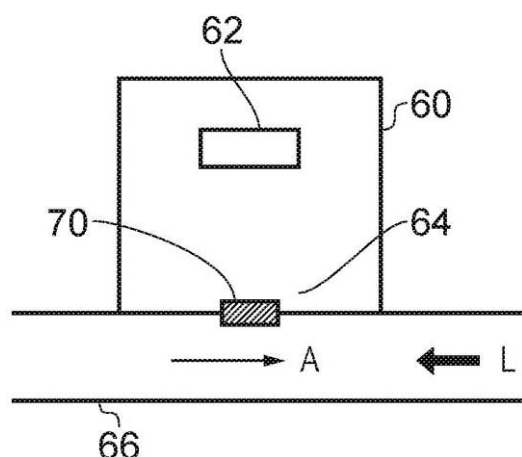
21: 2019/01111. 22: 2019/02/21. 43: 2021/10/08
 51: A61K; C07D; A61P
 71: SUVEN LIFE SCIENCES LIMITED
 72: NIROGI, Ramakrishna, SHINDE, Anil Karbhari,
 MOHAMMED, Abdul, Rasheed, BADANGE, Rajesh,
 Kumar, JAYARAJAN, Pradeep, BHYRAPUNENI,
 Gopinadh, JASTI, Venkateswarlu
 33: IN 31: 201641030062 32: 2016-09-02
 33: IN 31: 201741013343 32: 2017-04-13

54: MUSCARINIC M1 RECEPTOR POSITIVE ALLOSTERIC MODULATORS

00: -
 The present invention relates to compounds of formula (I), or their isotopic forms, stereoisomers, tautomers or pharmaceutically acceptable salt (s) thereof as muscarinic M1 receptor positive allosteric modulators (M1 PAMs). The present invention describes the preparation, pharmaceutical composition and the use of compound formula (I).

21: 2019/01195. 22: 2019/02/25. 43: 2021/09/28
 51: A61K
 71: Bayer Animal Health GmbH
 72: NICKELL, Jason, KEIL, Daniel, ABRAHAM, Albert, TULLY, Warren, OLDE RIEKERINK, Richard Gerhardus Martinu, SETTJE, Terry, VICKERS, Leland, NIBBELINK, Stuart
 33: US 31: 62/366,772 32: 2016-07-26
54: INCREASED FERTILITY IN BOVINE SPECIES
 00: -
 The present invention relates to compositions and methods for immunomodulation which are effective for increasing conception rate in cows.

21: 2019/01261. 22: 2019/02/27. 43: 2021/09/28
 51: A24F
 71: Nicoventures Holdings Limited
 72: JAIN, Siddhartha, TIPTON, Wade, BARTON, Rupert, HARRIS, William, FRASER, Rory
 33: GB 31: 1616036.8 32: 2016-09-21
54: DEVICE WITH LIQUID FLOW RESTRICTION
 00: -
 A device for controlling electrical power supply in response to air pressure measurement includes an airflow path, a chamber having an aperture, a liquid flow restrictor configured to inhibit ingress of liquid into the chamber via the aperture, a pressure sensor located in the chamber and operable to detect, in the presence of the liquid flow restrictor, air pressure changes caused by air flow in the airflow path, and a circuit for converting air pressure changes detected by the pressure sensor to control signals for controlling output of power from a battery.



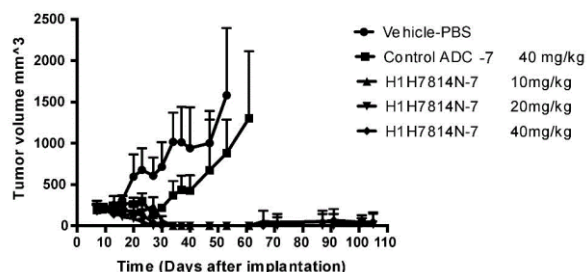
21: 2019/01558. 22: 2019/03/13. 43: 2021/10/08
51: A61K; C07K; A61P

71: REGENERON PHARMACEUTICALS, INC.
72: RUDGE, John, DELFINO, Frank, HABER, Lauric, SMITH, Eric, KIRSHNER, Jessica, R., CRAWFORD, Alison, NITTOLI, Thomas
33: US 31: 62/399,256 32: 2016-09-23
54: ANTI₂STEAP2 ANTIBODIES, ANTIBODY₂DRUG CONJUGATES, AND BISPECIFIC ANTIGEN₂BINDING MOLECULES THAT BIND STEAP2 AND CD3, AND USES THEREOF

00: -
The protein known as six-transmembrane epithelial antigen of prostate 2 (STEAP2) is highly expressed in prostate cancer and is associated with the expression of other prostate cancer-associated genes. The present invention provides novel full-length human IgG antibodies that bind to human STEAP2 (monospecific antibodies). The present invention also provides novel bispecific antibodies (bsAbs) that bind to both STEAP2 and CD3 and activate T cells via the CD3 complex in the presence of STEAP2 -expressing tumors. According to certain embodiments, the present invention provides bispecific antigen-binding molecules comprising a first antigen-binding domain that specifically binds human and monkey CD3, and a second antigen-binding molecule that specifically binds human STEAP2. In certain embodiments, the bispecific antigen-binding molecules of the present invention are capable of inhibiting the growth of tumors expressing STEAP2. The bispecific antigen-binding molecules of the invention are useful for the treatment of prostate diseases and disorders in which an upregulated or induced STEAP2 -targeted

immune response is desired and/or therapeutically beneficial. For example, the bispecific antibodies of the invention are useful for the treatment of prostate cancers, including castrate-resistant prostate cancer. The present invention also includes anti-STEAP2 antibody drug conjugates which inhibit tumor growth in vivo.

H1H7814N-7 efficacy on C4-2 tumors in SCID mice



21: 2019/01699. 22: 2019/03/19. 43: 2021/09/28
51: C07K; G01N

71: Oblique Therapeutics AB
72: ORWAR, Owe, TRKULJA, Carolina, DAVIDSON, Max
33: GB 31: 1614884.3 32: 2016-09-01
54: METHODS OF IDENTIFYING EPITOPES

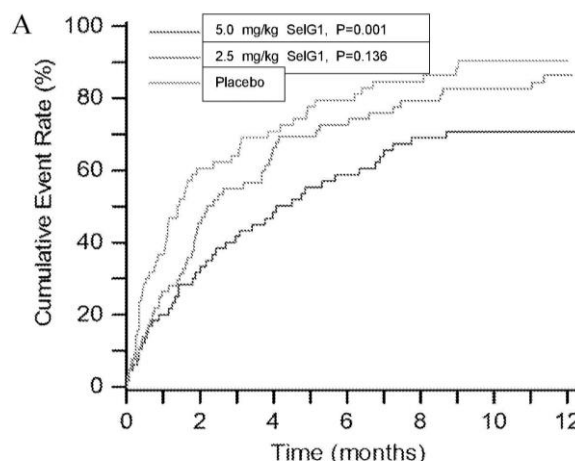
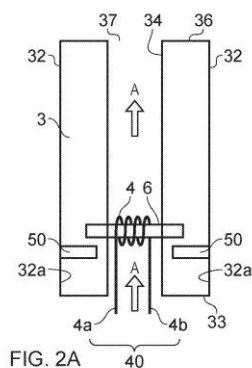
00: -
The present invention relates to methods of identifying an epitope on a protein that can be bound by an antibody. Methods of the invention typically involve a step of limited or restricted proteolysis of a protein and the identification of sites on the protein that are cut by the protease(s) used. The invention also relates to antibodies which bind to epitopes that have been identified by methods of the invention.

21: 2019/01856. 22: 2019/03/26. 43: 2021/09/28
51: A24F

71: Nicoventures Holdings Limited
72: OTIABA, Kenny, LEADLEY, David
33: GB 31: 1616430.3 32: 2016-09-28
54: LIQUID STORAGE TANK FOR A VAPOUR PROVISION SYSTEM

00: -
A liquid storage tank (3) of an electronic vapour provision device (10) comprises one or more boundary walls (32, 33, 34) defining an interior volume of the tank (3) for accommodating source liquid to be vaporised in the electronic vapour

provision device (10); and one or more baffles (50), each baffle (50) protruding from an inner surface of the boundary wall into the interior volume to impede a flow of source liquid between portions of the interior volume between which the baffle (50) is located. The tank (3) may be comprised in an electronic vapour provision device (10) or in a component for an electronic vapour provision device such as a cartomiser.



21: 2019/02174. 22: 2019/04/08. 43: 2021/10/08
51: A61K; C07K; A61P
71: NOVARTIS AG

72: BRUEDERLE, Andreas, ROLLINS, Scott, ROTHER, Russell, STOCKER, Jonathan
33: US 31: 62/541,133 32: 2017-08-04
33: GB 31: 1618532.4 32: 2016-11-03

54: TREATMENT REGIMENS

00: -
The present invention relates to the treatment or prevention of P-selectin mediated disorders, and to anti-P-selectin antibodies or binding fragments thereof, for use in the treatment or prevention of such disorders. In particular, the invention relates to the treatment or prevention of pain crises associated with sickle cell disease, and to anti-P- selectin antibodies or binding fragments thereof, for use in the treatment or prevention of pain crises associated with sickle cell disease.

21: 2019/02366. 22: 2019/04/15. 43: 2021/10/08
51: A61K; C07K
71: ENGMAB SARL
72: VU, Minh, Diem, STREIN, Klaus, PAIVA, Bruno, David, Lourenço, SAN MIGUEL IZQUIERDO, Jesús, Fernando

33: EP 31: 16196874.8 32: 2016-11-02
54: BISPECIFIC ANTIBODY AGAINST BCMA AND CD3 AND AN IMMUNOLOGICAL DRUG FOR COMBINED USE IN TREATING MULTIPLE MYELOMA

00: -
The invention relates to a bispecific antibody specifically binding to human B cell maturation antigen (BCMA) and to human CD3ε (CD3) together with an immunotherapeutic drug for combined use in treating multiple myeloma.

21: 2019/02432. 22: 2019/04/16. 43: 2021/09/28
51: A61K; A61P
71: Novo Nordisk A/S
72: CHAPLIN, Jay, WIJARANAKULA, Michael
33: US 31: 62/415,717 32: 2016-11-01

54: TOLEROGENIC DNA VACCINE

00: -
The present invention relates to plasmids encoding insulin antigens and cytokines for use in tolerizing immunization, in particular for the prevention and/or delay of e.g. type 1 diabetes.

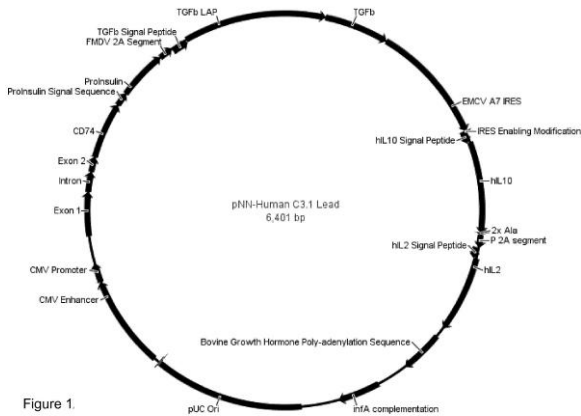


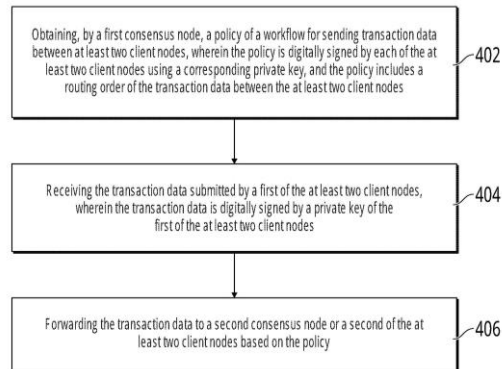
Figure 1

21: 2019/02551. 22: 2019/04/23. 43: 2021/09/28
51: H04L

71: Alibaba Group Holding Limited
72: PAN, Dong, ZHANG, Wenbin, YAN, Xuebing
54: MANAGING PRIVATE TRANSACTIONS ON BLOCKCHAIN NETWORKS BASED ON WORKFLOW

00: -
Implementations of the present disclosure include obtaining, by a first consensus node, a policy of a workflow for sending transaction data between at least two client nodes. The policy is digitally signed by each of the at least two client nodes using a corresponding private key, and the policy includes a routing order of the transaction data between the at least two client nodes. The first consensus node also receives the transaction data submitted by a first of the at least two client nodes. The transaction data is digitally signed by a private key of the first of the at least two client nodes. The first consensus node then forwards the transaction data to a second consensus node or a second of the at least two client nodes based on the policy.

400



21: 2019/02565. 22: 2019/04/23. 43: 2021/09/28
51: C07K; G01N

71: Oblique Therapeutics AB
72: ORWAR, Owe, TRKULJA, Carolina, DAVIDSON, Max, HÄGGLUND, Jessica
33: GB 31: 1617002.9 32: 2016-10-06
54: MULTI-PROTEASE METHOD

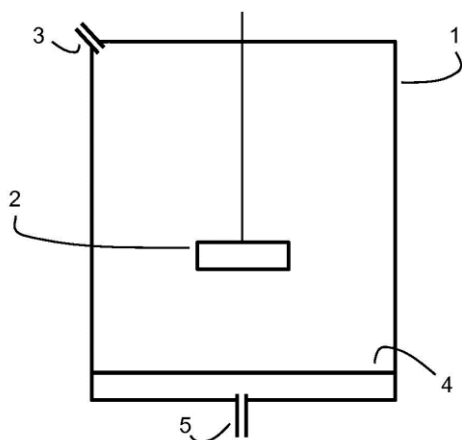
00: -
The present invention relates to methods of identifying an epitope on a protein that can be bound by an antibody. Methods of the invention typically involve a step of limited or restricted proteolysis of a protein using a single first protease or a combination of first proteases, and a further proteolysis step using a single second protease or combination of second proteases. The invention also relates to identified epitopes and to antibodies which bind to epitopes that have been identified by methods of the invention.

21: 2019/02588. 22: 2019/04/24. 43: 2021/10/08
51: B01D; B01J; C13B

71: NOVASEP PROCESS SOLUTIONS
72: VALÉRY, Eric, PRIEUR, Cédric
33: FR 31: 1661476 32: 2016-11-24
54: PURIFICATION METHOD USING A LOW GRANULOMETRY RESIN

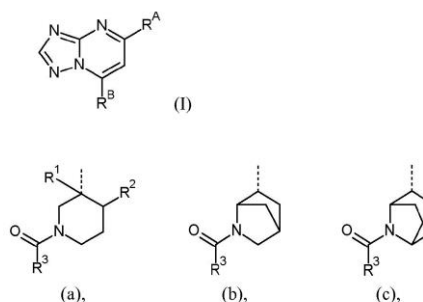
00: -
The invention relates to a method for purifying a solution, the method comprising the following successive steps: - bringing a solution to be purified into contact with an ion exchange resin by

suspending the ion exchange resin in the solution to be purified, the ion exchange resin having the form of particles having a size Dv_{50} smaller than or equal to 200 μm ; - separating the solution into a purified solution and a loaded resin; - regenerating the loaded resin by passing at least one regenerating solution through a compact bed of loaded resin. The invention also relates to an assembly for implementing the method.



21: 2019/02725. 22: 2019/04/30. 43: 2021/09/28
51: A61K; A61P; C07D
71: Janssen Pharmaceutica NV
72: VAN ROOSBROECK, Yves Emiel Maria, VAN DEN KEYBUS, Frans Alfons Maria, TRESADERN, Gary John, BUIJNSTERS, Peter Jacobus Johannes Antonius, VELTER, Adriana Ingrid, JACOBY, Edgar, MACDONALD, Gregor James, GIJSEN, Henricus Jacobus Maria, AHNAOU, Abdellah, DRINKENBURG, Wilhelmus Helena Ignatius Maria
33: EP(BE) 31: 16196924.1 32: 2016-11-02
54: [1,2,4]TRIAZOLO[1,5-A]PYRIMIDINE DERIVATIVES AS PDE2 INHIBITORS

00: -
The present invention relates to novel [1,2,4]triazolo[1,5-a]pyrimidin-yl derivatives as inhibitors of phosphodiesterase 2 (PDE2). The invention is also directed to pharmaceutical compositions comprising the compounds, to processes for preparing such compounds and compositions, and to the use of such compounds and compositions for the prevention and treatment of disorders in which PDE2 is involved, such as neurological and psychiatric disorders.



21: 2019/02726. 22: 2019/04/30. 43: 2021/09/28
51: A24D; A24F

71: British American Tobacco (Investments) Limited
72: YILMAZ, Ugurhan, WOODCOCK, Dominic
33: GB 31: 1618481.4 32: 2016-11-02
54: AEROSOL PROVISION ARTICLE
00: -

There is described an aerosol provision article for use with an aerosol provision device for generating an inhalable medium comprising an aerosol. The aerosol provision article comprises a first chamber (114) for containing a first substance that is heatable to generate an aerosol; a conduit (128) that extends through the first chamber, the conduit having an inlet through which aerosol generated from the first substance can enter the conduit and an outlet through which the aerosol can exit the conduit and a second chamber (104) for receiving a second substance, wherein the second chamber is downstream of the outlet of the conduit. The article is arranged such that in use aerosol exiting the outlet of the conduit passes through the second substance received in the second chamber, and wherein the cross-sectional area of the conduit increases at or towards the outlet.

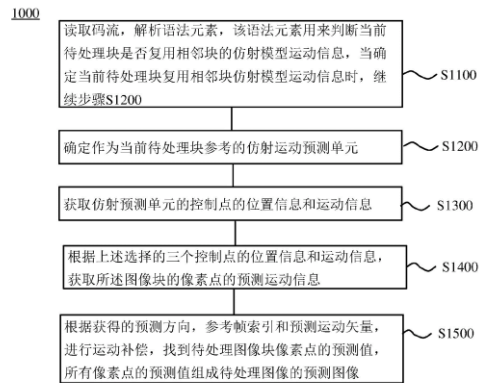
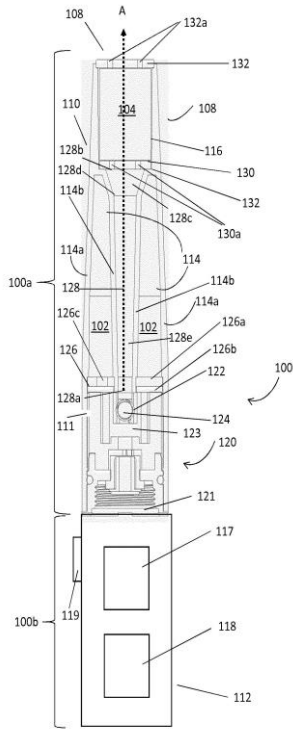


图 1

- S1100 Reading a code stream and parsing a syntax element, wherein the syntax element is used for determining whether a current block to be processed multiplexes affine model motion information about a neighbouring block, and if it is determined that the current block to be processed multiplexes the affine model motion information about the neighbouring block, proceeding to step S1200
- S1200 Determining an affine motion prediction unit as the reference of the current block to be processed
- S1300 Acquiring position information and motion information about a control point of the affine motion prediction unit
- S1400 According to position information and motion information about the above three selected control points, acquiring prediction motion information about pixels of the image block
- S1500 According to an acquired prediction direction, a reference frame index and a prediction motion vector, performing motion compensation, to find prediction values of pixels of the image block to be processed, wherein prediction values of all pixels form a prediction image of the image to be processed

21: 2019/02778. 22: 2019/05/03. 43: 2021/10/15
 51: H04N
 71: Huawei Technologies Co., Ltd., University of Science and Technology of China
 72: LV, Zhuoyi, LI, Li, LI, Houqiang, YANG, Haitao
 33: CN 31: 201510543542.8 32: 2015-08-29
54: IMAGE PREDICTION METHOD AND DEVICE
 00: -

An image prediction method and device are disclosed. The method includes: obtaining a first reference unit of an image unit, where respective predicted images are obtained for the image unit and the first reference unit by using a same affine model; obtaining motion information of basic motion compensation units at two or more preset positions in the first reference unit; and obtaining motion information of a basic motion compensation unit of the image unit according to the motion information. In this way, motion information of the first reference unit using a same affine motion prediction model is reused, and a more accurate motion vector of a current image unit is obtained, improving prediction accuracy and maintaining encoding and decoding complexity, thereby improving encoding and decoding performance.

21: 2019/03011. 22: 2019/05/14. 43: 2021/09/28
 51: C12N
 71: immatics biotechnologies GmbH
 72: BUNK, Sebastian, MAURER, Dominik, UNVERDORBEN, Felix
 33: DE 31: 10 2016 121 899.5 32: 2016-11-15
54: METHOD FOR PREPARING ELECTROCOMPETENT YEAST CELLS, AND METHOD FOR USING SAID CELLS
 00: -

The present invention relates to improved yeast transformation of yeast cells and yeast cell libraries transformed thereby. More specifically, the present invention relates to the transformation of yeast by electroporation.

21: 2019/03380. 22: 2019/05/28. 43: 2021/09/28
 51: A61K; A61Q
 71: Colgate-Palmolive Company
 72: YUAN, Shaotang, XU, Guofeng, GRONLUND, Jennifer, DICOSIMO, Robert, HAYNIE, Sharon, PAYNE, Mark S.
 33: US 31: 62/436,834 32: 2016-12-20
54: ORAL CARE COMPOSITIONS AND METHODS FOR WHITENING TEETH
 00: -

An oral care composition including an enzyme and an anhydrous matrix that at least partially stabilizes the enzyme. The anhydrous matrix includes a

source of hydrogen peroxide, an acyl donor, a non-aqueous anhydrous liquid, and a thickener.

21: 2019/03420. 22: 2019/05/29. 43: 2021/09/28

51: B41M; C09D

71: SICPA HOLDING SA

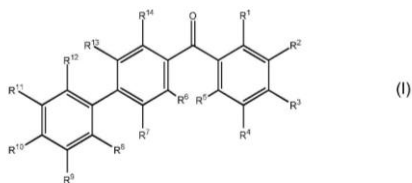
72: HOGGETT, John, CHABRIER, Stéphane

33: EP(CH) 31: 16203167.8 32: 2016-12-09

54: LOW ENERGY CURING OFFSET AND LETTERPRESS PRINTING INKS AND PRINTING PROCESS

00: -

The present invention relates to the field of low energy radically curable inks for offset or letterpress printing of security documents. In particular, the invention relates to low energy radically curable offset or letterpress printing inks for offset or letterpress printing on a substrate or security document, said low energy radically curable inks having a viscosity in the range of about 2.5 to about 25 Pa s at 40°C and 1000 s⁻¹ and comprising radically curable (meth)acrylate compounds, one or more one or more photoinitiators of formula (I), one or more machine readable materials and one or more fillers and/or extenders.



21: 2019/03504. 22: 2019/05/31. 43: 2021/09/28

51: C07K

71: immatics biotechnologies GmbH

72: ALTEN, Leonie, BUNK, Sebastian, MAURER, Dominik, WAGNER, Claudia

33: US 31: 62/431,580 32: 2016-12-08

33: DE 31: 10 2016 123 859.7 32: 2016-12-08

54: NOVEL T CELL RECEPTORS AND IMMUNE THERAPY USING THE SAME

00: -

The present invention relates to antigen recognizing constructs against a tumor associated antigen (TAA) derived from the target protein DDB1 and CUL4

associated factor 4-like 2(DCAF4L2). The invention in particular provides novel T cell receptor (TCR) based molecules which are selective and specific for the TAA of the invention. The TCR of the invention, and TAA binding fragments derived therefrom, are of use for the diagnosis, treatment and prevention of TAA expressing cancerous diseases. Further provided are nucleic acids encoding the antigen recognizing constructs of the invention, vectors comprising these nucleic acids, recombinant cells expressing the antigen recognizing constructs and pharmaceutical compositions comprising the compounds of the invention.

21: 2019/03506. 22: 2019/05/31. 43: 2021/09/28

51: H01R

71: CR Flight L.L.C.

72: WISHART, Randell, EMIGH, Jonathan

33: US 31: 62/497,937 32: 2016-12-08

54: HIGH CURRENT AND RPM-CAPABLE SLIP RING ASSEMBLY

00: -

A high current and RPM-capable slip ring assembly for use in a selected application for transferring electricity between an exterior environment and an interior environment that includes multiple electrical conduction assemblies with each having a fixed exterior electrical connection disk and rotating interior electrical connection disk mounted around a non-electrically conducting spindle that has a central aperture and a central axle running through the center of the spindle with one end of the central axle connected to the selected application and the other end of the central axle connect to a supporting structure mount and an oiled porous/sintered disk sandwiched around the spindle between the interior and exterior electrical connection disks of each conduction assembly to allow easy rotation between each exterior electrical connection disk and each rotating interior electrical connection disk.

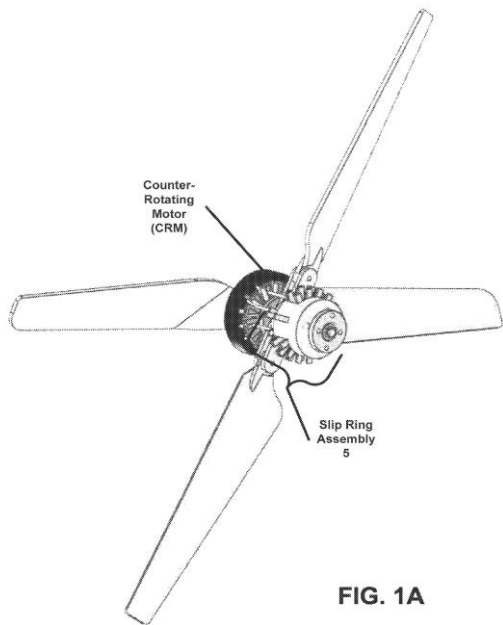
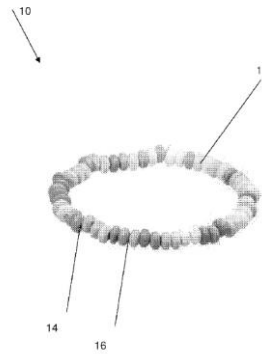


FIG. 1A

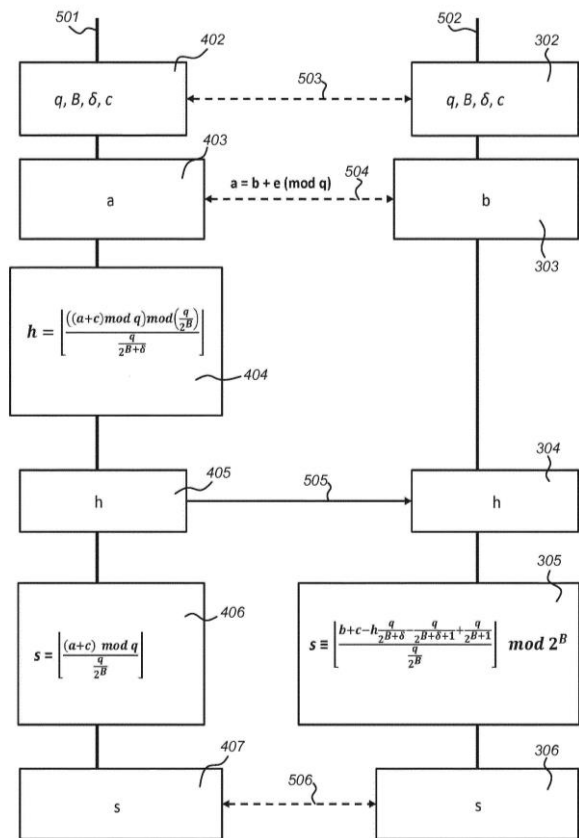


21: 2019/03514. 22: 2019/05/31. 43: 2021/11/29
 51: A01G; A01N; B29B; B29C; A01P
 71: Rensburgs Inotech Pty Ltd
 72: Christiaan JANSEN VAN RENSBURG
 33: ZA 31: 2016/08264 32: 2016-11-30
54: PESTICIDE ARRANGEMENT
 00: -

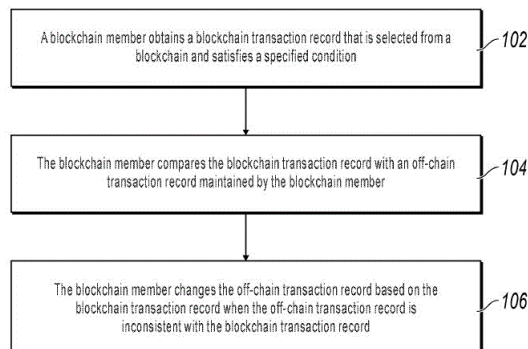
The invention discloses a pesticide arrangement, which includes at least one pesticide pellet having at least one hole therein. The arrangement may include a piece of string, thread, rope, elastic, cord, wire and/or any other suitable material running through the hole. The arrangement is adapted to be placed around the bottom section or upper section of a tree or plant's trunk, branches and/or posts and/or be placed around fence posts or similar objects surrounding fields of plants that need protection and/or be placed directly on the ground in various lengths to form a barrier between plants and pest and/or be laid directly onto the ground or surface and/or be laid around fields or in between rows of plants or trees.

21: 2019/03539. 22: 2019/06/03. 43: 2021/09/28
 51: H04L
 71: Koninklijke Philips N.V.
 72: TOLHUIZEN, Ludovicus Marinus Gerardus Maria, RIETMAN, Ronald, GARCIA MORCHON, Oscar
 33: EP(NL) 31: 16197277.3 32: 2016-11-04
54: REACHING AGREEMENT ON A SECRET VALUE
 00: -

A first device and a second device are disclosed for reaching agreement on a secret value. Herein, the second device comprises a receiver configured to receive information indicative of a reconciliation data h from the first device, a processor configured to compute a common secret s based on an integer value b , an equation, and system parameters. The processor is configured to compute b based on a key exchange protocol. The first device has a number a in approximate agreement with the number b . The first device comprises a processor configured to determine a common secret s based on an integer value a , an equation, and system parameters, and determine a reconciliation data h . The first device further comprises a transmitter configured to transmit information indicative of the reconciliation data h to the second device.



transaction record based on the blockchain transaction record.



21: 2019/03829. 22: 2019/06/13. 43: 2021/10/08
 51: C07K; A61P
 71: MERO BIOPHARMA 3 LIMITED
 72: JUNKER, Uwe, KNEISSEL, Michaela, HALL, Anthony, Kent, EUDY, Rena, Joy, RIGGS, Matthew, Manning
 33: US 31: 62/437,353 32: 2016-12-21
54: USE OF ANTI-SCLEROSTIN ANTIBODIES IN THE TREATMENT OF OSTEOGENESIS IMPERFECTA

00: -
 Disclosed are methods for treating a patient suffering from osteogenesis imperfecta comprising administering to the patient a therapeutically effective amount of an anti-sclerostin antibody. Methods for increasing bone formation and reducing bone resorption in an osteogenesis imperfecta patient by administering to the patient a therapeutically effective amount of an anti-sclerostin antibody are also disclosed. Further disclosed are compositions for increasing bone formation and reducing bone resorption in an osteogenesis imperfecta patient. The compositions comprise a therapeutically effective amount of an anti-sclerostin antibody. The invention also provides an anti-sclerostin antibody for use in the treatment of osteogenesis imperfecta.

21: 2019/03713. 22: 2019/06/10. 43: 2021/09/28
 51: G06Q
 71: Alibaba Group Holding Limited
 72: HU, Danqing, LIN, Sen, ZHANG, Junliang
 33: CN 31: 201810533812.0 32: 2018-05-29
54: BLOCKCHAIN TRANSACTION RECONCILIATION METHOD AND APPARATUS, AND ELECTRONIC DEVICE

00: -
 One or more implementations of the present specification provide a blockchain transaction reconciliation method and apparatus, and an electronic device. The method can include: obtaining, by a blockchain member, a blockchain transaction record that is selected from a blockchain and satisfies a specified condition. The blockchain member compares the blockchain transaction record with an off-chain transaction record maintained by the blockchain member. Whether the off-chain transaction record is inconsistent with the blockchain transaction record is determined. In response to a determination that the off-chain transaction record is inconsistent with the blockchain transaction record, the blockchain member updates the off-chain

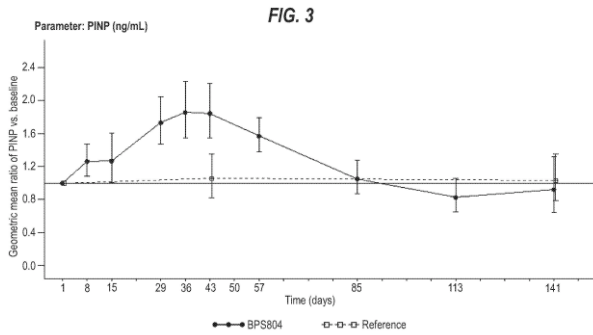
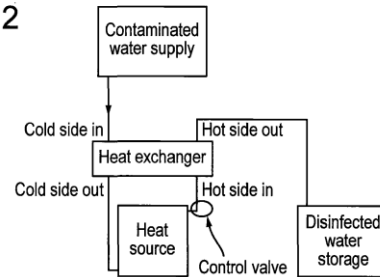


Fig. 2



21: 2019/03832. 22: 2019/06/13. 43: 2021/10/08
51: C02F; F24D
71: RELEVANT PROJECTS LIMITED
72: JOHNSTON, Barry
33: GB 31: 1619457.3 32: 2016-11-17
54: SYSTEM AND METHOD OF PASTEURIZING FLUID WITH SOLAR THERMAL COLLECTOR
00: -

A fluid treatment system for pasteurising fluid, comprising: a fluid inlet; a fluid outlet; a heat exchanger; a solar thermal collector, connected to the fluid inlet by a first fluid conduit, and connected to the fluid outlet by a second fluid conduit; a temperature monitoring means; and a valve between the solar thermal collector and the second fluid conduit, the valve comprising an aperture for fluid to flow from the solar thermal collector into the second fluid conduit. The valve has: a closed position, a fully open position and at least one intermediate position in which the valve is only partially open. The valve is operable to be in the closed position when the temperature of the fluid in the solar thermal collector is equal to or less than a first predetermined temperature (T1); in the fully open position when the temperature of the fluid in the solar thermal collector is equal to or greater than a second pre-determined temperature (T2), the second predetermined temperature being greater than the first pre-determined temperature; and in the intermediate position at an intermediate temperature (T1), the intermediate temperature being between the first predetermined temperature and the second predetermined temperature, the aperture of the valve increasing in size as the valve transitions from one position to the next position as the temperature increases and decreasing in size as the valve transitions from one position to the next position as the temperature decreases.

21: 2019/03841. 22: 2019/06/13. 43: 2021/10/08
51: F04D; F15D
71: FLSmidth A/S
72: DON, Kenneth Lloyd, ECHEVERRI, Luis, FRATER, John Semple
33: DK 31: PA 2016 71000 32: 2016-12-16
54: SUCTION PIPE INLET DEVICE FOR CENTRIFUGAL PUMP

00: -
A suction pipe inlet device for a centrifugal pump, the device having a hollow tubular axisymmetric body along a longitudinal axis having an open first end adapted for fitting into or against a retention tank; an open second end adapted for fitting into or against an inflow end of a suction pipe having an outer pipe diameter and an inner pipe diameter; a converging section located closer to the retention tank; a diverging section located closer to the suction pipe; a throat located at the intersection point between the converging and diverging sections, the converging and diverging sections defining an interior converging-diverging geometry within the tubular axisymmetric body and the throat defining a minimum inner cross sectional area of the tubular axisymmetric body.

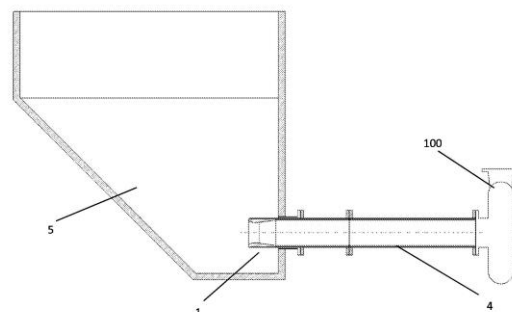


FIGURE 1

21: 2019/03842. 22: 2019/06/13. 43: 2021/09/28

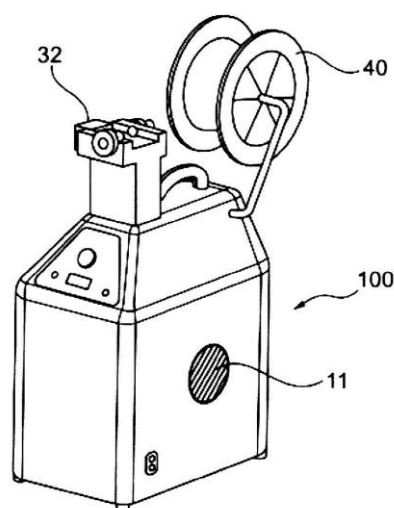
51: F04B; G02B; H02G
 71: Plumettaz Holding SA
 72: WACINSKI, Andrzej

33: CH 31: 00125/17 32: 2017-02-03

54: AUTONOMOUS FLUID COMPRESSOR FOR LAYING OPTICAL FIBERS IN A DUCT

00: -

Autonomous fluid compressor device for supplying compressed fluid to a cable laying device, the fluid compressor comprising: a fluid compressing unit arranged to compress fluid and comprising an exhaust valve, an electric motor, for driving the fluid compressing unit, a rechargeable power unit, to supply electric power to the electric motor; a fluid supply port connected to the exhaust valve, characterized in that: the fluid compressor comprises: an input unit, for receiving a fluid demand signal indicating a fluid demand from the cable laying device, a control unit, arranged to control the motor based on the fluid demand signal.



21: 2019/03875. 22: 2019/06/14. 43: 2021/10/08

51: A61K

71: Fertin Pharma A/S, Johnson & Johnson Consumer Inc.

72: GEONNOTTI, Anthony R., GOLAS, Patricia L., WITTORFF, Helle, BRUUN, Heidi Ziegler, BOESEN, Dorthe Shackinger

33: PCT/DK 31: 2016/050377 32: 2016-11-18

33: US 31: 15/356,175 32: 2016-11-18

54: METHOD OF PROVIDING ORAL CARE BENEFITS

00: -

Provided are methods of providing at least one oral care benefit by introducing a tablet into the oral cavity to generate a fluid and forcing at least a portion of fluid generated around the oral cavity, for example, by swishing, rinsing, washing, etc., to provide an oral care benefit.

21: 2019/03939. 22: 2019/06/18. 43: 2021/10/08

51: A61K; A61P; C07D; C07H

71: Calithera Biosciences, Inc.

72: BILLEDEAU, Roland Joseph, LI, Jim, CHEN, Lijing

33: US 31: 62/437,935 32: 2016-12-22

33: US 31: 62/437,915 32: 2016-12-22

54: ECTONUCLEOTIDASE INHIBITORS AND METHODS OF USE THEREOF

00: -

The invention relates to novel heterocyclic compounds and pharmaceutical preparations thereof. The invention further relates to methods of treating or preventing cancer using the novel heterocyclic compounds of the invention.

21: 2019/03943. 22: 2019/06/18. 43: 2021/10/08

51: H01B; H01F; H01R

71: Eaton Intelligent Power Limited

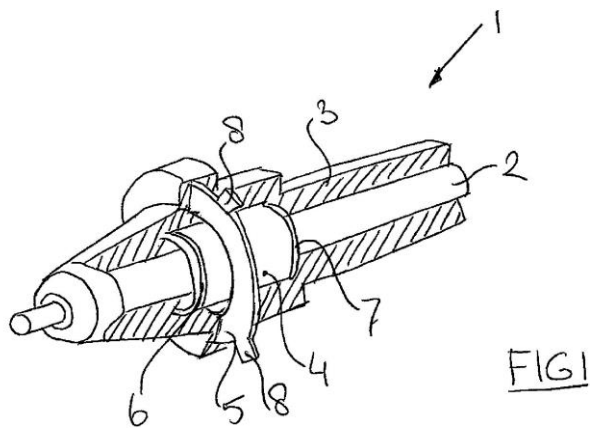
72: JADHAV, Ranjit, LAMMERS, Arend, PINGALE, Rahul, DAS, Amritendu

33: IN 31: 201611043504 32: 2016-12-20

54: BUSHING WITH INTEGRATED ELECTRONICS

00: -

The invention relates to a bushing comprising: - an elongate electrical conductor; - an insulation layer arranged around the elongate electrical conductor; - an electrically conducting sleeve coaxially arranged with the electrical conductor; and - a ring shaped printed circuit board with electrical components coaxially arranged around the electrical conductor wherein the sleeve and the printed circuit board are embedded in the insulation layer and wherein the ring shaped printed circuit board is positioned in axial direction between both ends of the electrically conducting sleeve.



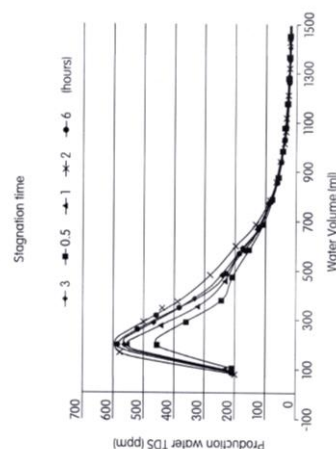
communication with a membrane inlet and a second portion of the upstream side is in fluid communication with the concentrate outlet, and the downstream side is in fluid communication with a permeate outlet. The point-of-use water filtration system also includes a permeate line in fluid communication with the permeate outlet and a filtered water outlet, a concentrate line in fluid communication with the concentrate outlet, a flow path configured to selectively connect the permeate line to the feed water line; and a controller configured to anticipate demand for the filtration mode.

21: 2019/03980. 22: 2019/06/19. 43: 2021/09/28
 51: A61K; A61Q
 71: Colgate-Palmolive Company
 72: MILLER, Jeffrey, MALONEY, Venda Porter, WU, Donghui, PEPPERNEY, Adam, SHEN, Hongwei, PATEL, Vyoma, CHENG, Chi-Yuan
 33: US 31: 62/439,228 32: 2016-12-27
54: ORAL CARE PRODUCT AND METHODS OF USE AND MANUFACTURE THEREOF

00: -
 This invention relates to a dual phase mouthwash comprising a hydrophilic phase, a hydrophobic phase, and a hydrotrope, wherein the hydrophilic phase comprises an effective amount of a preservative selected from potassium sorbate, sodium benzoate, benzyl alcohol, and a combination thereof, and CPC and a monovalent acid, as well as to methods of using and of making such compositions.

21: 2019/03999. 22: 2019/06/20. 43: 2021/11/09
 51: B01D; C02F; E03C; G05B
 71: A. O. SMITH CORPORATION
 72: ZHANG, Hai-Feng, AVERBECK, David, J., CHENG, Zhaoshan
 33: US 31: 62/433,209 32: 2016-12-12
54: WATER FILTRATION SYSTEM WITH RECIRCULATION TO REDUCE TOTAL DISSOLVED SOLIDS CREEP EFFECT

00: -
 A point-of-use water filtration system having an idle mode and a filtration mode, the water filtration system including a feed water inlet, a pump in fluid communication with the feed water inlet via a feed water line, and a semi-permeable membrane having an upstream side and a downstream side. A first portion of the upstream side is in fluid



21: 2019/04115. 22: 2019/06/25. 43: 2021/11/22
 51: C08B; C12P; C13K
 71: INDIAN OIL CORPORATION LIMITED, DEPARTMENT OF BIOTECHNOLOGY
 72: KUMAR, Ravindra, SEMWAL, Surbhi, SATLEWAL, Alok, GUPTA, Ravi Prakash, PURI, Suresh Kumar, RAMAKUMAR, Sankara Sri Venkata
 33: IN 31: 201821024153 32: 2018-06-28
54: A PROCESS FOR RECOVERING SUGAR FROM BIOMASS

00: -
 A process is provided for pre-treating lignocellulosic biomass to hydrolysable polysaccharide enriched biomass with a reduced amount of inhibitors of catalysis. The process comprises the steps of: providing a feedstock comprising cellulosic biomass; chopping the cellulosic biomass to have a cellulosic biomass feed material of uniform size; feeding the uniform sized feed material to a horizontal counter current extraction unit; removing excess water from the feed material obtained from the extraction unit;

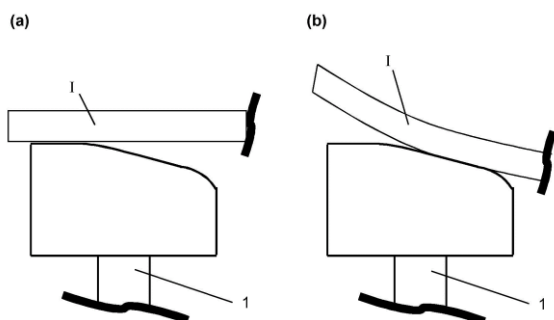
soaking the extruded feed material obtained from the extraction unit; optionally removing excess water from the feed material obtained after acid soaking; steam pre-treating the feed material obtained after removing excess water from the acid soaked feed material; neutralizing the slurry obtained from the steam pre-treating; and optionally saccharifying the neutralized slurry.

21: 2019/04133. 22: 2019/06/25. 43: 2021/10/08
51: C03B

71: Saint-Gobain Glass France
72: SCHILLINGS, Peter, BORDERIOU, Arnaud, PALMANTIER, Arthur, ZEICHNER, Achim
33: EP(FR) 31: 17165666.3 32: 2017-04-10

54: GRAVITY BENDING MOULD FOR BENDING GLASS PANES HAVING A CURVED SUPPORT SURFACE

00: -
The present invention relates to a gravity bending mould (1) for bending glass panes, comprising a frame-like support surface (2), which is suitable for arranging a glass pane (1) thereon, and which has an outer edge (3) and an inner edge (4), wherein the support surface (2) has an external region (2A) close to the outer edge (3), an internal region (2B) close to the inner edge (4), and a central region (2C) between the external region (2A) and the internal region (2B), and wherein the external region (2A) is planar and horizontal, the central region (2C) is inclined towards the inner edge (4) and is planar or curved, and the internal region (2B) has a curvature in the opposite direction to the curvature of the glass pane (1), and wherein the internal region (2B) is curved to a greater extent than the central region (2C).



21: 2019/04161. 22: 2019/06/26. 43: 2021/10/08

51: C12P
71: SYNATA BIO, INC.
72: TERRILL, Jennine B.
33: US 31: 62/438,211 32: 2016-12-22
54: METHODS AND SYSTEMS USING IONOPHORES TO CONTROL CONTAMINATION IN FERMENTATION OF GASEOUS SUBSTRATES

00: -
Provided is a method of anaerobically fermenting a gaseous substrate to form a liquid product, the method comprising: (a) introducing the gaseous substrate into a bio-reactor, the gaseous substrate comprising at least one of the following constituents: carbon monoxide, carbon dioxide, and hydrogen, (b) the bio-reactor comprising a fermentation broth therein, the fermentation broth containing at least two types of microorganisms, one type comprising at least one fermenting species, and the other type comprising at least one competing species; (c) introducing at least one type of ionophore into the reactor, the ionophore having selectivity for preferentially inhibiting the at least one competing species from growing and/or producing an undesired product; and (d) allowing the gaseous substrate to ferment by exposure to the at least one fermenting species, to produce the liquid product and a system for doing the same.

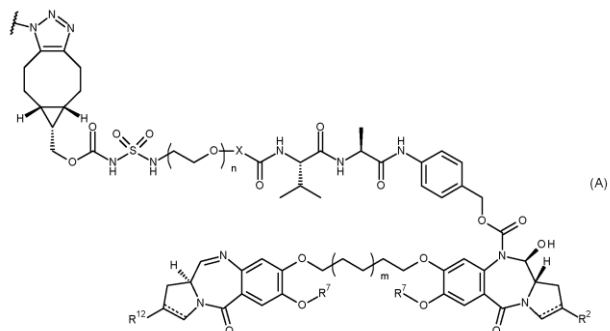
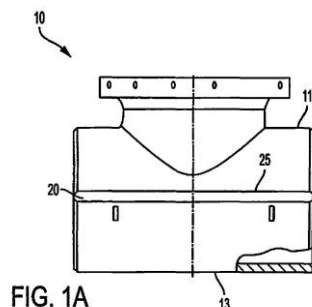
21: 2019/04278. 22: 2019/06/28. 43: 2021/10/08
51: B23K

71: TDW Delaware, Inc.
72: WOOD, Paul, VROLYK, Chris, MAH-PAULSON, Tran, ARMSTRONG, Mike
33: US 31: 62/478,950 32: 2017-03-30

54: THICK, LONG SEAM WELDING SYSTEM AND METHOD FOR DISTORTION CONTROL AND NON POST WELD HEAT TREATMENT OF PIPELINE HOT TAP FITTINGS

00: -
A method for limiting fitting distortion when welding a fitting (10) to an in-service pipeline- where the fitting (10) includes a thick, longitudinally extending, seam located between fitting halves- involves welding, on each side of the fitting, a middle third section (31) of the seam in a pyramid-like fashion using an inward progression starting from an end of the middle third section (31) along a profile of a seam bevel (19), and welding outer third sections (37) of the seam (20) using an outward progression from an end adjacent to the middle third section (31) along a profile of the

seam bevel (19). The welding of each of the three sections per side includes a temper bead welding technique of at least two layers to provide stress relief in lieu of traditional post weld heat treatment.



21: 2019/04282. 22: 2019/06/28. 43: 2021/10/08
51: A61K; A61P; C07D; C07F

71: RaQualia Pharma Inc., Asahi Kasei Pharma Corporation

72: NOGUCHI, Hirohide, ARANO, Yoshimasa, ANDO, Kazuo, TOYOSHIMA, Kazuki, SONE, Toshihiko, MATSUBARA, Koki

33: JP 31: 2017-047794 32: 2017-03-13

54: TETRAHYDROQUINOLINE DERIVATIVES AS P2X7 RECEPTOR ANTAGONISTS

00: -

The present invention relates to tetrahydroquinoline derivatives of the present invention or a pharmaceutically acceptable salt thereof or a prodrug thereof, processes for their preparation, pharmaceutical compositions containing them and their use in the treatment of various disorders which are mediated via the P2X7 receptor.

21: 2019/04353. 22: 2019/07/02. 43: 2021/11/09
51: A61K

71: ADC THERAPEUTICS SA, MEDIMMUNE LIMITED

72: VAN BERKEL, Patricius Hendrikus Cornelis

33: GB 31: 1719906.8 32: 2017-11-30

33: GB 31: 1702029.8 32: 2017-02-08

33: GB 31: 1702031.4 32: 2017-02-08

54: PYRROLOBENZODIAZEPINE-ANTIBODY CONJUGATES

00: -

A conjugate of formula (I): Ab - (DL)_p wherein: Ab is an antibody that binds to AXL; DL is formula (A).

21: 2019/04380. 22: 2019/07/03. 43: 2021/10/26

51: A61K; A61Q; A61P

71: UNILEVER PLC

72: EVANS, RICHARD LIVESEY, HARDING, CLIVE RODERICK, HARICHAN, BIJAN, ROSA, JOSE GUILLERMO, ZHOU, LUXIAN

33: EP 31: 17162972.8 32: 2017-03-27

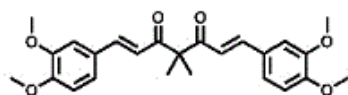
33: CN 31: PCT/CN2017/073648 32: 2017-02-15

54: A PERSONAL CARE COMPOSITION

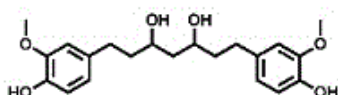
00: -

Disclosed is a personal care composition and a method of providing antiperspirant and anti-inflammation using certain curcuminoid derivatives.

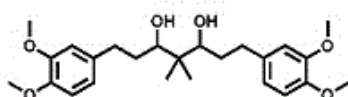
The composition comprises: (i) a compound of the Formula 1 Ar-CH_nCH_n-X.C(R)₂-X.CH_nCH_n-Ar (Formula 1) wherein Ar is a substituted or unsubstituted phenyl group; R is H or CH₃; X is CH(OH) group or C=O group; n has the value 1 or 2; and, (ii) a topically acceptable base comprising at least 0.1% of a fragrance wherein, when n=1, the compound of (Formula 1) is 1E,6E)-1,7-bis(3,4-dimethoxyphenyl)-4,4-dimethylhepta-1,6-diene-3,5-dione (Formula 2), and when n=2, the compound of (Formula 1) is 1,7-bis(4-hydroxy-3-methoxyphenyl)heptane-3,5-diol (Formula 4) or is 1,7-bis(3,4-dimethoxyphenyl)-4,4-dimethylheptane-3,5-diol (Formula 5).



(Formula 2)

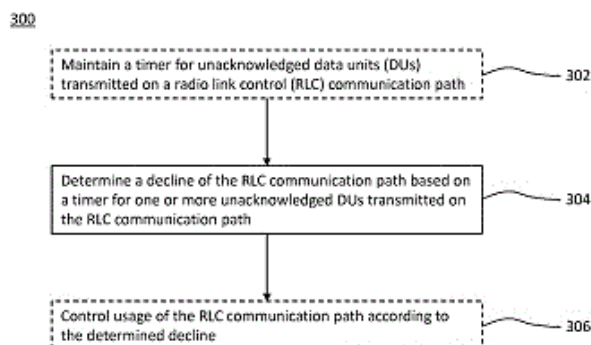


(Formula 4)



(Formula 5)

determining a decline of the RLC communication path based on a timer for one or more unacknowledged/outstanding DUs transmitted/received on the RLC communication path.



21: 2019/04409. 22: 2019/07/04. 43: 2021/10/26

51: A61K; A61Q

71: UNILEVER PLC

72: CAO, QUNHUA, SUBRAMANIAN, RAGHUPATHI, WU, XUEMENG

33: EP 31: 17166779.3 32: 2017-04-18

33: CN 31: PCT/CN2017/073177 32: 2017-02-09

54: A HAIR CONDITIONING COMPOSITION

00: -

The invention relates to a hair conditioning composition that exhibits high stability and transparency to give a smooth, grit free flow with no compromise on the desired sensorials when in use. This is achieved in a substantially silicone free composition with a judicious mix of cationic surfactant, selective antidandruff agent and octyldoecanol.

21: 2019/04524. 22: 2019/07/10. 43: 2021/10/26

51: H04L

71: TELEFONAKTIEBOLAGET LM ERICSSON (PUBL)

72: BERGQUIST, GUNNAR, SHAH, SAMIR, WITTBERG, MIKAEL, JONSSON, ANDERS

33: US 31: 62/458,177 32: 2017-02-13

54: TECHNIQUE FOR MONITORING A RADIO COMMUNICATION

00: -

Methods and devices for monitoring a radio link control, RLC, communication path for transmitting/receiving data units, DUs are disclosed. The methods/devices comprising or triggering

21: 2019/04525. 22: 2019/07/10. 43: 2021/10/26

51: B01J

71: HALDOR TOPSØE A/S

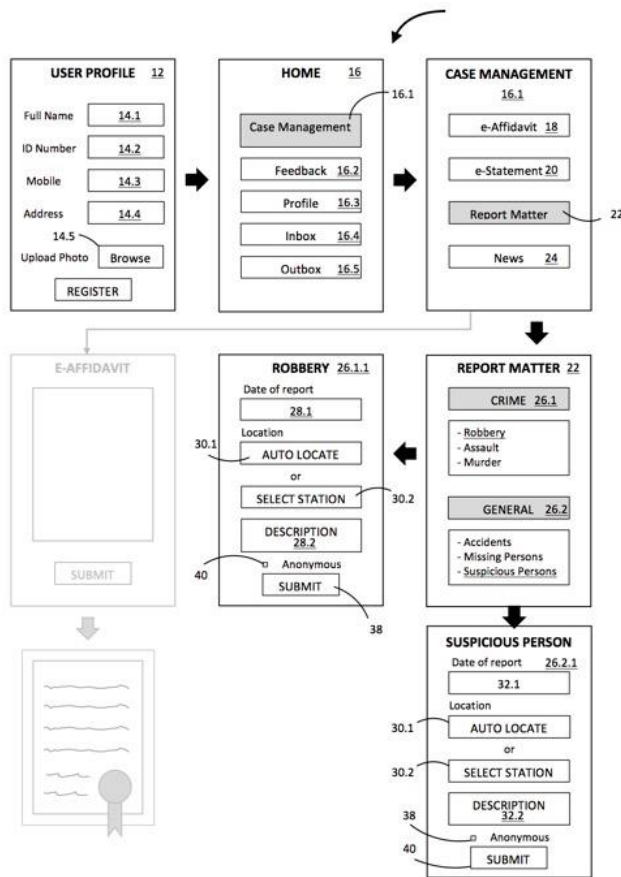
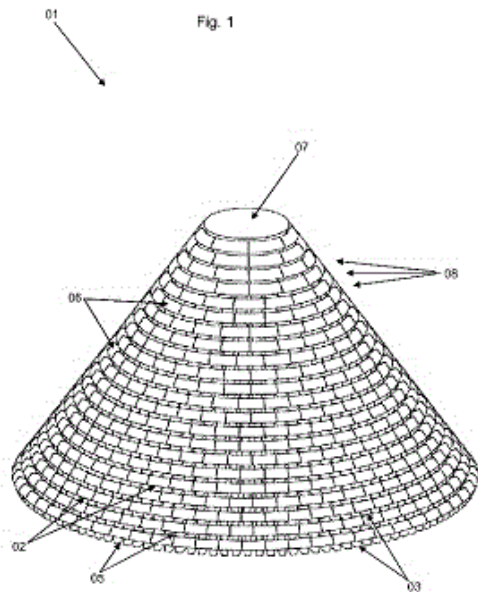
72: HANSEN, HELBO ANDERS, CHRISTENSEN, THOMAS SANDAHL, JØRGENSEN, MAGNUS MØLLER, LARSEN, JOHANNES RUBEN

33: DK 31: PA 2017 00131 32: 2017-02-27

54: CHEMICAL REACTOR WITH CATALYST SUPPORT SYSTEM

00: -

The invention relates to a chemical reactor comprising at least one catalyst support system and anti-blocking means arranged around and above a reactor opening, which prevents catalyst or other reactor parts to enter or exit a reactor opening.



21: 2019/04543. 22: 2019/07/11. 43: 2021/11/25

51: G06F; G06Q; H04W

71: MPOTOANE, Abram Modise

72: MPOTOANE, Abram Modise

54: LAW ENFORCEMENT MANAGEMENT

00: -

A method of managing a law enforcement organisation which includes electronically receiving an incident report from an individual user via a mobile device. The method includes creating an electronic case file containing the incident report. The case file is allocated a case number and stored in a database. The case files are indexed according to their case numbers on a server. The method also includes allocating the case file to a selected law enforcement unit of the law enforcement organisation. The method includes receiving case updates from the law enforcement unit. The method further includes providing case updates to the individual user, such that the individual user is kept informed on progress made on the case.

21: 2019/04587. 22: 2019/07/12. 43: 2021/10/26

51: A61K; G01N; C07K

71: GENEURO SA, THE UNITED STATES OF AMERICA, AS REPRESENTED BY THE SECRETARY, DEPARTMENT OF HEALTH & HUMAN SERVICES

72: PERRON, HERVÉ, MEDINA, JULIE, NATH, AVINDRA, STEINER, JOSEPH PERRY, LI, WENXUE, LEE, MYOUNG-HWA

33: EP 31: 17305062.6 32: 2017-01-20

54: ANTI-HERV-K ENVELOPE ANTIBODY AND USES THEREOF

00: -

The present invention relates to a novel antibody against HERV-K envelope that targets a conserved region not affected by glycosylation or by native conformation, and its use in diagnostics and/or in therapy.

A: GN mAb Err K01 light variable chain
 DVVMTDTFLLSVITIGQPASISCKRISQLLSDGRTYLNKLLQRPGESEGLLIYLVSKLDGGVDRFTGGGGIDFTLKISV
 EAEDLVVYICLQATRFPPWTFGGSTKLEIKRADAAPTYSNFFPSSEQLISGGAKERTLR

B: GN mAb Err K01 heavy variable chain
 QVQLQDPAELVRFQASVKLSCHASGTFPTSYWAWVQKRPQGLEWIGRIDPDSRTHNQKFKNGAILTVDKSSSTAYMQL
 SELLSEDSAVYYCAASLYYYGISLWQSTLVTVSAAKITPPSVYFLAPGGDITGSPFLGCLVKGIPFESVTVWNSGLS

21: 2019/04617. 22: 2019/07/15. 43: 2021/10/15
 51: A61K; A61P; C07D
 71: Janssen Pharmaceutica NV
 72: BACANI, Genesis M., CHAI, Wenying,
 KOUDRIAKOVA, Tatiana, KRAWCZUK, Paul J.,
 KREUTTER, Kevin D., LEONARD, Kristi, RIZZOLIO,
 Michele C., SEIERSTAD, Mark, SMITH, Russel C.,
 TICHENOR, Mark S., VENABLE, Jennifer D.,
 WANG, Aihua

33: US 31: 62/435,639 32: 2016-12-16
54: IMIDAZOPYRROLOPYRIDINE AS INHIBITORS OF THE JAK FAMILY OF KINASES

00: -
 2-((1r,4r)-4-(imidazo[4,5-d]pyrrolo[2,3-b]pyridin-1(6H)-yl)cyclohexyl)acetonitrile compounds, pharmaceutical compositions containing them, methods of making them, and methods of using them including methods for treating disease states, disorders, and conditions mediated by JAK, such as inflammatory bowel disease.

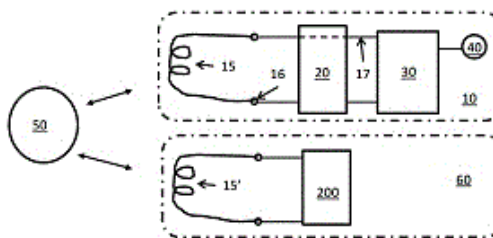
21: 2019/04643. 22: 2019/07/16. 43: 2021/10/26
 51: A61K; A61P
 71: AFIMMUNE LIMITED
 72: COUGHLAN, DAVID, CLIMAX, JOHN
 33: US 31: 62/269,280 32: 2015-12-18
54: COMPOSITIONS COMPRISING 15-HEPE AND METHODS OF USING THE SAME

00: -
 The present invention relates to the compositions comprising 15-HEPE and methods of treatment relating to same.

21: 2019/04703. 22: 2019/07/17. 43: 2021/10/26
 51: H04K
 71: CARDLAB APS
 72: GIEDENBACHER, ROBERT BERNT
 33: DK 31: PA201671067 32: 2016-12-30
54: AN ASSEMBLY COMPRISING A NOISE EMITTING ELEMENT

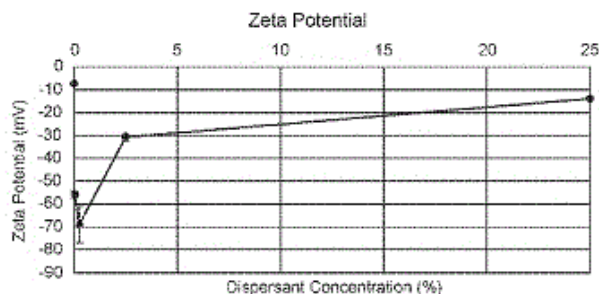
00: -
 An assembly of a standard RFID/NFC element and a scrambling element for outputting wireless noise in response to a wireless request signal from a terminal, such as NFC, RFID or the like. The scrambling element has a noise generating circuit and an antenna for receiving the request signal and outputting a voltage. The scrambling element further comprises a voltage increasing element receiving the voltage from the antenna and feeding a higher voltage to the circuit to have the circuit start

operation faster than the circuit of the standard RFID/NFC element.



21: 2019/05144. 22: 2019/08/02. 43: 2021/10/26
 51: C09G; C09K
 71: ILLUMINA, INC.
 72: YANG, ROBERT, BRITTELLE, SAMANTHA K,
 CHENG, YOU-JUNG, BAILEY, SCOTT WILLIAM,
 TSAY, JAMES M
 33: US 31: 62/463,533 32: 2017-02-24
54: CALCIUM CARBONATE SLURRY

00: -
 A composition is provided that comprises a calcium carbonate slurry. The calcium carbonate slurry comprises a plurality of calcium carbonate particles suspended in a solution, where the solution comprises a dispersant and an anionic surfactant. The concentration of the calcium carbonate particles in the calcium carbonate slurry is equal to or less than about 2.0 wt.%.



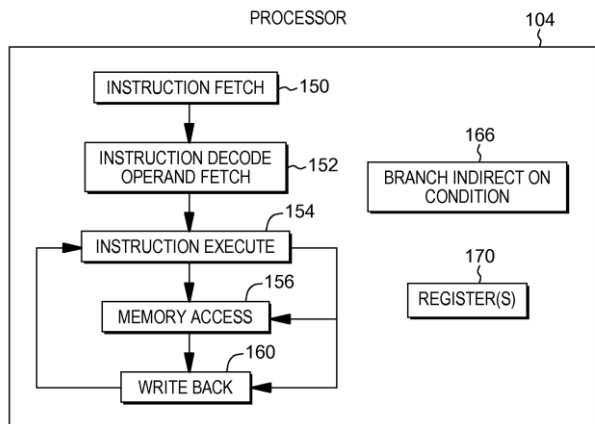
21: 2019/05156. 22: 2019/08/05. 43: 2021/10/08
 51: A61K; C07K
 71: NOVARTIS AG
 72: CEBE, Regis, YOWE, David, Langdon,
 OLLAND, Stephane
 33: US 31: 62/456,609 32: 2017-02-08
54: FGF21 MIMETIC ANTIBODIES AND USES THEREOF

00: -

The present disclosure relates to monoclonal antibodies and antigen-binding fragments thereof that bind to human β -klotho, and pharmaceutical compositions and methods of treatment comprising the same.

21: 2019/05264. 22: 2019/08/08. 43: 2021/10/26
 51: G06F
 71: INTERNATIONAL BUSINESS MACHINES CORPORATION
 72: GREINER, Dan, SAPORITO, Anthony, SHUM, Chung-Lung, SLEGEL, Timothy, JACOBI, Christian
 33: US 31: 15/409,614 32: 2017-01-19
54: CONDITIONAL BRANCH TO AN INDIRECTLY SPECIFIED LOCATION

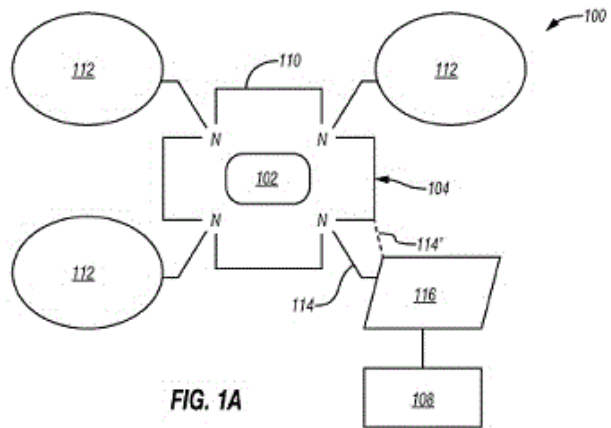
00: -
 An instruction to perform a conditional branch to an indirectly specified location is executed. A branch address is obtained from a location in memory, the location in memory designated by the instruction. A determination is made based on a condition code of another instruction, whether a branch is to occur, and a branch to the branch address is performed, based on determining the branch is to occur.



21: 2019/05277. 22: 2019/08/08. 43: 2021/10/26
 51: A61P; A61K
 71: RADIOMEDIX INC., ORANO MED
 72: TWOROWSKA, IZABELA, WAGH, NILESH, DELPASSAND, EBRAHIM S, ROJAS-QUIJANO, FEDERICO, JUREK, PAUL, KIEFER, GARRY E, STALLONS, TANIA A, SAIDI, AMAL, TORGUE, JULIEN
 33: US 31: 62/445,541 32: 2017-01-12
54: TREATMENT OF CANCER CELLS OVEREXPRESSING SOMATOSTATIN

RECEPTORS USING OCREOTIDE DERIVATIVES CHELATED TO RADIOISOTOPES

00: -
 A cancer targeting composition, kit, and method for treatment of cancer cells overexpressing somatostatin receptors is disclosed. The composition includes a radioisotope, a chelator, and a targeting moiety. The chelator includes a nitrogen ring structure including a tetraazacyclododecane, a triazacyclononane, and/or a tetraazabicyclo [6.6.2] hexadecane derivative. The targeting moiety includes a somatostatin receptor targeting peptide. The somatostatin receptor targeting peptide includes an octreotide derivative. The targeting moiety is chelated to the radioisotope by the chelator whereby the cancer cells are targeted for elimination.



21: 2019/05278. 22: 2019/08/08. 43: 2021/10/26
 51: H04L; H04N
 71: MUTUALINK, INC.
 72: WENGROVITZ, MICHAEL S, MAZZARELLA, JOSEPH R
 33: US 31: 15/401,862 32: 2017-01-09
54: DISPLAY-BASED VIDEO ANALYTICS

00: -
 The present disclosure is directed to a video surveillance system and method for performing display-based video analytics on video streams provided by internet protocol (IP) cameras and/or a video management system (VMS) over an IP network. Display-based video analytics can perform video analytics on the video streams without a direct connection to the IP network. Because the display-based video analytics can perform video analytics on the video streams without being directly connected to the IP network, the display -based video analytics

can be more readily implemented in video surveillance systems with secure IP networks.

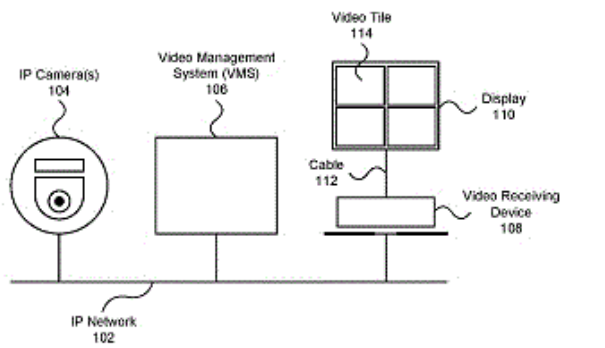


FIG. 1

21: 2019/05319. 22: 2019/08/12. 43: 2021/10/26
 51: H04W
 71: TELEFONAKTIEBOLAGET LM ERICSSON (PUBL)
 72: MÄÄTTANEN, HELKA-LIINA
 33: US 31: 62/454,087 32: 2017-02-03
54: METHODS, USER EQUIPMENT AND RADIO NETWORK NODE FOR MULTIMEDIA BROADCAST MULTICAST SERVICE
 00: -

A method and a user equipment (110) as well as a method and a radio network node (120) for multimedia broadcast service are disclosed. The radio network node (120) sends, on a physical downlink control channel of the carrier, downlink control information using a multicast network identifier. The downlink control information comprises a bit indicating whether or not at least two emergency notifications are broadcast on the carrier, and a notification relating to a change of a multicast channel of the carrier. The user equipment (110) receives, on a physical downlink control channel of the carrier, downlink control information using a multicast network identifier. The user equipment (110) behaves as if at least two fields relating to indication of said at least two emergency notifications are set to one in a paging message for the user equipment (110), when the bit is set to one. Corresponding computer program(s) (403, 603) and computer program carrier(s) (405, 605) are also disclosed.

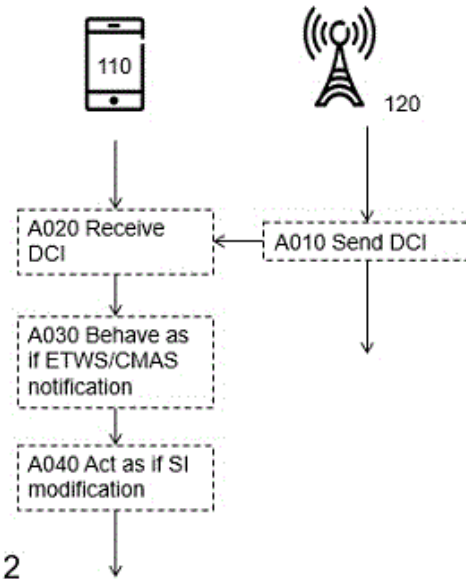
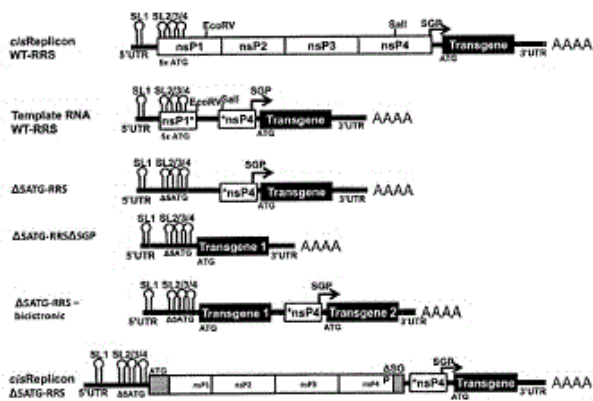


Fig. 2

21: 2019/05395. 22: 2019/08/15. 43: 2021/10/26
 51: C12N
 71: BIONTECH RNA PHARMACEUTICALS GMBH, TRON - TRANSLATIONALE ONKOLOGIE AN DER UNIVERSITÄTSMEDIZIN DER JOHANNES GUTENBERG-UNIVERSITÄT MAINZ GEMEINNÜTZIGE GMBH
 72: BEISSERT, TIM, SAHIN, UGUR, PERKOVIC, MARIO
 33: EP 31: PCT/EP2016/056165 32: 2016-03-21
54: RNA REPLICON FOR VERSATILE AND EFFICIENT GENE EXPRESSION
 00: -

The present invention embraces a RNA replicon that can be replicated by a replicase of alphavirus origin. The RNA replicon comprises sequence elements required for replication by the replicase, but these sequence elements do not encode any protein or fragment thereof, such as an alphavirus non-structural protein or fragment thereof. Thus, in the RNA replicon according to the invention, sequence elements required for replication by the replicase and protein-coding region(s) are uncoupled. According to the present invention the uncoupling is achieved by the removal of at least one initiation codon compared to a native alphavirus genomic RNA. In particular, the RNA replicon comprises a 5' replication recognition sequence, wherein the 5' replication recognition sequence is characterized in that it comprises the removal of at least one initiation codon compared to a native alphavirus 5' replication recognition sequence. The replicase of alphavirus

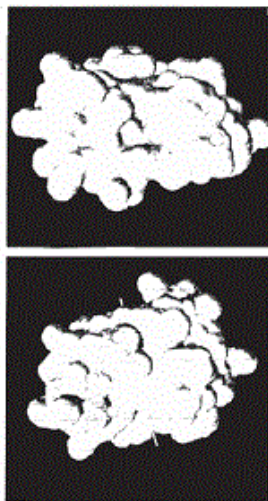
origin may be encoded by an open reading frame on the RNA replicon or on a separate RNA molecule. The present invention enables efficient and safe expression of a protein of interest in a cell or organism, but is not associated with undesired production of fragments of alphavirus non-structural protein. Methods of protein production in vitro and in vivo, as well as medical uses, are provided herein.



21: 2019/05416. 22: 2019/08/15. 43: 2021/10/26
 51: A61K; C07K; C12N
 71: CAMRIS INTERNATIONAL, INC.
 72: HWANG, YOON Y
 33: US 31: 62/460,213 32: 2017-02-17

54: UNIVERSAL ANTIVENOM

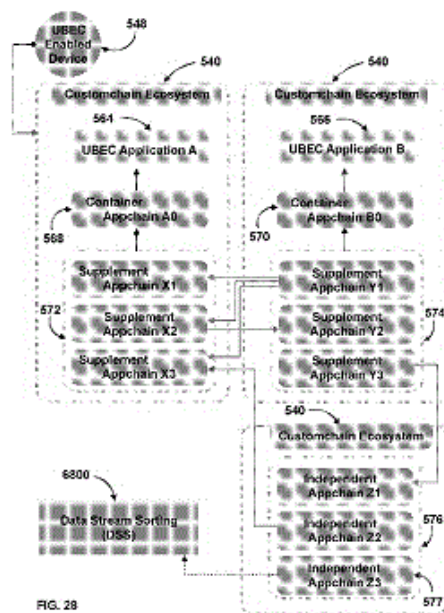
00: -
 The present disclosure is directed to a universal antivenom for the treatment of venomous animal bites, and methods of developing the same using a novel targeted phage display technique.



21: 2019/05467. 22: 2019/08/19. 43: 2021/10/26
 51: G06F
 71: HASAN, SYED KAMRAN
 72: HASAN, SYED KAMRAN
 33: US 31: 62/449,313 32: 2017-01-23
 33: US 31: 62/464,156 32: 2017-02-27
 33: US 31: 62/468,202 32: 2017-03-07
 33: US 31: 62/489,309 32: 2017-04-24
 33: US 31: 62/504,057 32: 2017-05-10
 33: US 31: 62/549,714 32: 2017-08-24
 33: US 31: 62/530,196 32: 2017-07-08

54: UNIVERSAL BCHAIN E3A CONNECTIONS (UBEC)

00: -
 A Universal BCHAIN Everyone/Everything/Everywhere Connections (UBEC) system comprises UBEC applications that operate in accordance with the BCHAIN Protocol, BCHAIN network that comprises a plurality of BCHAIN Nodes, which operate software in accordance with the BCHAIN Protocol, Appchains, which comprise data storing, serving and computational programs that operate directly upon the BCHAIN Network and Legislated UBEC Independent Governing Intelligence (LUIGI) that comprise an artificially intelligent control mechanism in a UBEC Platform.



21: 2019/05680. 22: 2019/08/28. 43: 2021/10/26
 51: C09K
 71: HOPE MEDICAL ENTERPRISES, INC. DBA HOPE PHARMACEUTICALS

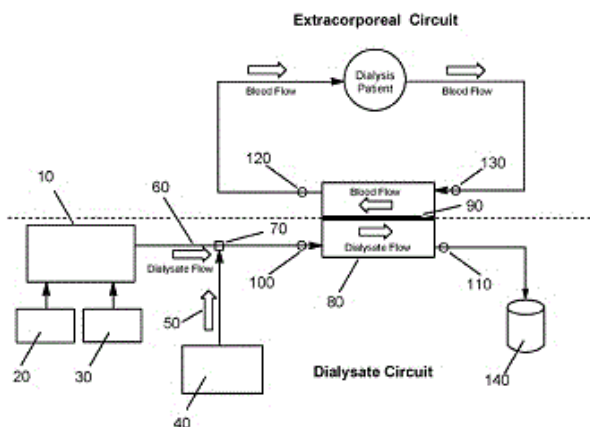
72: SHERMAN, CRAIG

33: US 31: 62/468,871 32: 2017-03-08

54: INTRADIALYTIC USE OF SODIUM THIOSULFATE

00: -

Provided herein are methods for maintaining physiological levels of thiosulfate in a subject undergoing hemodialysis. Also provided herein are methods of administering pharmaceutically acceptable sodium thiosulfate to a subject undergoing hemodialysis.



21: 2019/06024. 22: 2019/09/12. 43: 2021/11/23

51: B32B; C03C; E04H

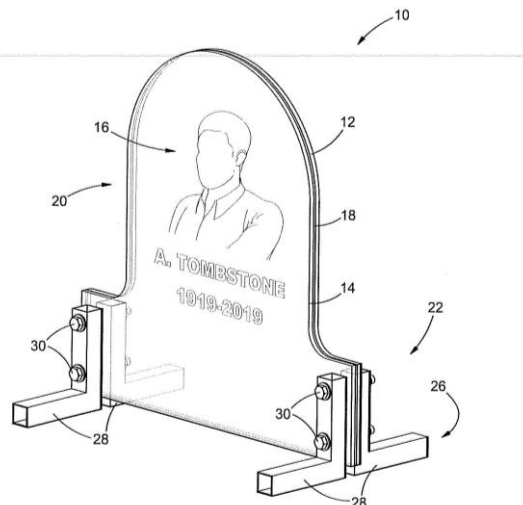
71: ISITHOMBE TOMBSTONES (PTY) LTD

72: ROODT, Thomas Butler, PYPERS, Stephanus Daniël

54: TOMBSTONE

00: -

This invention relates generally to a tombstone 10, comprising a first transparent sheet 12, a second transparent sheet 14 secured face-to-face to the first sheet 12, and a colourant 16 sandwiched in-between the first and second sheets 12 and 14, typically portraying information associated with a deceased person.



21: 2019/06066. 22: 2019/09/13. 43: 2021/10/08

51: A61K

71: NOVARTIS AG

72: ADAMS, Christopher M., APRIL, Myriam, FAZAL, Tanzina, FORSTER, Cornelia, Jutta, HALL, Edward, Charles, LEE, Cameron, Chuck, Munn

33: US 31: 62/487,888 32: 2017-04-20

54: SUSTAINED RELEASE DELIVERY SYSTEMS COMPRISING TRACELESS LINKERS

00: -

Described herein are drug delivery systems for delivering biologically active agents comprising primary or secondary amines, or a ring nitrogen atom of an azaheteroaryl ring, pharmaceutically acceptable salts thereof, drug delivery reagents related thereto, pharmaceutical compositions comprising the drug delivery systems, and the use of the drug delivery systems as sustained release therapeutics.

21: 2019/06175. 22: 2019/09/18. 43: 2021/11/09

51: B65G; E21F; F16G

71: JOY GLOBAL UNDERGROUND MINING LLC

72: WALKER, Aaron, Philip, STEWART, Christopher, George

33: US 31: 62/467,761 32: 2017-03-06

33: US 31: 62/467,766 32: 2017-03-06

33: US 31: 62/467,767 32: 2017-03-06

33: US 31: 62/467,769 32: 2017-03-06

33: US 31: 62/467,770 32: 2017-03-06

33: US 31: 62/467,773 32: 2017-03-06

54: CHAIN CONVEYOR WITH CAST SECTIONS

00: -

A conveyor chain includes first link, a second link, a connecting link, a first flight, and a second flight. The

first link includes a first side portion and a second side portion. The first side portion has apertures and a first drive pin disposed between the apertures. The first drive pin is configured to be driven by a first sprocket. The second side portion has apertures and a second drive pin disposed between the apertures and extending in a direction opposite the first drive pin. The second drive pin is configured to be driven by a second sprocket. The second link includes a first side portion and a second side portion. The first flight is cast integrally with an end of the first drive pin of the first link, and the second flight is cast integrally with an end of the second drive pin of the first link.

invention provides a protective mechanism for use in an ATM which includes a holder (16) in which a plurality of banknotes are stacked, one against the other, each banknote lying generally in a vertical plane, and a cover which is engageable with the holder and which includes a lower surface which is spaced from and which opposes upper edges of the stacked banknotes, the protective mechanism including a container (22), a banknote traceability substance (60) inside the container and an explosive device, inside the container, which, in response to a detected signal indicating an attack on the ATM, is ignited and which then causes the container to fracture at a plurality of spaced apart locations or along an elongate path.

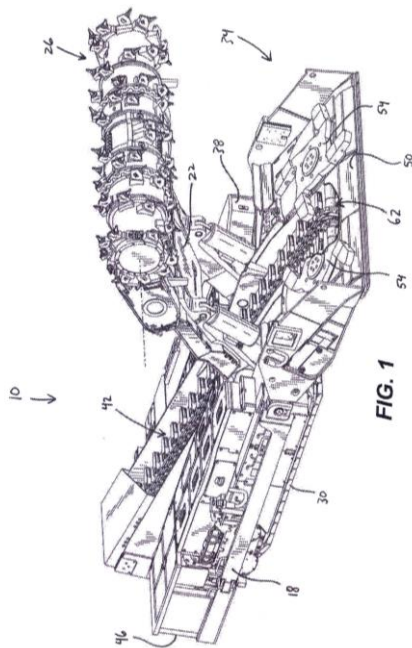
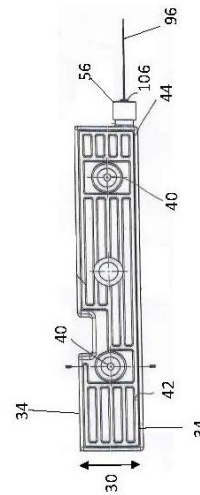


FIG. 1



21: 2019/06385. 22: 2019/09/27. 43: 2021/11/29
51: E05G; G07D; G07F

71: ROBSON, Michael Donald

72: ROBSON, Michael Donald

33: ZA 31: 2016/07946 32: 2017-03-29

33: ZA 31: 2017/01120 32: 2017-03-29

54: PROTECTION MECHANISM

00: -

This invention relates to the protection of valuables and more particularly, but not exclusively, to valuables such as banknotes (20) in a cassette of an automatic teller machine (hereinafter "ATM"). The

21: 2019/06956. 22: 2019/10/22. 43: 2021/09/28

51: A61K; A61P

71: Eli Lilly and Company

72: PAAVOLA, Chad Donald, ZHANG, Jun

33: US 31: 62/513,645 32: 2017-06-01

54: RAPID-ACTING INSULIN COMPOSITIONS

00: -

The invention is a composition of insulin or insulin analog that has faster pharmacokinetic action than commercial formulations of rapid-onset insulin analog products.

21: 2019/07704. 22: 2019/11/21. 43: 2021/11/29

51: G05F; H02J; H02K; H02P

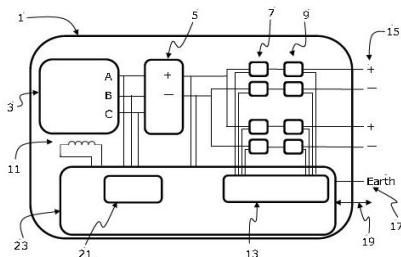
71: Giuliano RES

72: Giuliano RES (Australian Citizen)
33: AU 31: 2018904444 32: 2018-11-21

54: A POWER MANAGEMENT SYSTEM AND DEVICE FOR FLAMEPROOF ALTERNATORS

00: -

A power management system including a power management device for managing fault activity of a flameproof alternator. The alternator includes at least two pairs of output power terminals each pair comprising a positive terminal and a negative terminal; the system including a fault detector capable of detecting electrical faults on any pair of the at least two pairs of output power terminals and of identifying a pair of the at least two pairs of output power terminals on which the fault or faults is/are detected. The power management system further includes a power management device including: a power control for each pair of said at least two pairs of output power terminals for shutting down or limiting the output power on the pair of output power terminals on which the fault has been detected. Power is automatically shut down when an electrical fault is detected on a pair of output power terminals. The presence of a battery is automatically detected and, if present, the over-current fault detection threshold is reduced as the battery charging load drops.



21: 2019/07791. 22: 2019/11/25. 43: 2021/10/26
51: B01J; C07C; C07B

71: MITSUBISHI CHEMICAL CORPORATION

72: ITO, MITSUNOBU, ITO, HIROTO

33: JP 31: 2018-055537 32: 2018-03-23

54: CATALYST

00: -

A catalyst for producing an unsaturated aldehyde and an unsaturated carboxylic acid, wherein: the integrated pore volume (A) of pores in the catalyst, said pores having a pore diameter of 1-100 μm inclusive, is 0.12-0.19 ml/g inclusive; and the ratio

(A/B) is 0.30-0.87 inclusive [wherein A stands for the aforesaid integrated pore volume (A); and B stands for the integrated pore volume (B) of pores having a pore diameter of 1-100 μm in a portion, said portion not passing through a Tyler 6 mesh screen, of a crushed material which is obtained by crushing the catalyst under specific conditions].

21: 2019/08025. 22: 2019/12/03. 43: 2021/09/28

51: C01B

71: SACHEM, Inc.

72: MOULTON, Roger, LITTLE, Charles B.

33: US 31: 62/521,949 32: 2017-06-19

54: MORPHOLINIUM-BASED QUATERNARY AMMONIUM CATION AND AEI TYPE ZEOLITE MADE THEREWITH

00: -

An aluminosilicate zeolite comprising at least 90% phase pure AEI zeolite crystals, the crystals having a plate-shaped morphology. In embodiments, at least 50% of the crystals have at least one ratio in at least one pair of dimensions in the range from 3:1 to 20:1, and thickness of 30-100 nm. A process of making the AEI zeolite comprising reacting an oxide of silicon, faujasite, a quaternary ammonium compound comprising 2,4,4,6-tetramethylmorpholinium cation, alkali metal hydroxide and water at at least 100C. to form crystals of a zeolite having an AEI framework. A crystalline AEI zeolite having pores comprising a 2,4,4,6-tetramethylmorpholinium cation. The zeolite may comprise at least 90% phase pure AEI zeolite with the 2,4,4,6-tetramethylmorpholinium cation within pores of the zeolite. In some embodiments the zeolite comprises crystals having a plate-shaped morphology and with the 2,4,4,6-tetramethylmorpholinium cation within pores of the AEI zeolite.

21: 2019/07791. 22: 2019/11/25. 43: 2021/10/26
51: B01J; C07C; C07B

71: MITSUBISHI CHEMICAL CORPORATION

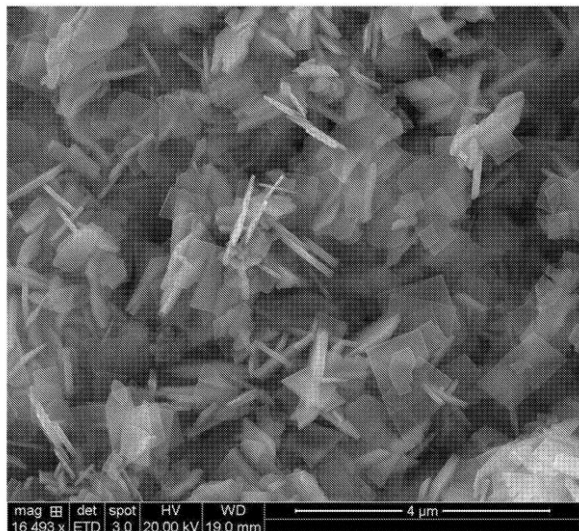
72: ITO, MITSUNOBU, ITO, HIROTO

33: JP 31: 2018-055537 32: 2018-03-23

54: CATALYST

00: -

A catalyst for producing an unsaturated aldehyde and an unsaturated carboxylic acid, wherein: the integrated pore volume (A) of pores in the catalyst, said pores having a pore diameter of 1-100 μm inclusive, is 0.12-0.19 ml/g inclusive; and the ratio



21: 2019/08206. 22: 2019/12/10. 43: 2021/11/29
 51: A61B; G01N
 71: DRÄGER SAFETY AG & CO. KGAA
 72: Jens REKOW (German Citizen), Stefan MORLEY (German Citizen), Stefan BARTEN (German Citizen), Carsten STEMICH (German Citizen), Michael RICHENBERGER (German Citizen), Sebastian SCHRÖTER (German Citizen)
 33: DE 31: 10 2017 008 008.9 32: 2017-08-25
54: BREATH ALCOHOL MEASUREMENT WITH CONTACTLESS SAMPLE PROVISION

00: -

The invention relates to a device for breath alcohol measurement, having a sample collector (1) into which a breath sample can be introduced via a sample inlet (2) by the test person. The device has a measurement unit (9) having a sensor (16) which is situated therein and to which some of the breath sample provided into the sample inlet (2) can be supplied. Said measurement unit generates a measurement signal on the basis of an alcohol content in the breath sample. A control and evaluation unit (4) is also provided, which determines the alcohol content of the breath sample on the basis of the measurement signal and transmits a result-specific signal to an output unit (5) which provides information about the breath alcohol content of the breath sample. The described technical solution is characterised in that: the sample collector (1) and the sample inlet (2) are designed to be suitable for contactless introduction of the breath sample; adjoining the sample inlet there is a main flow duct (10) which runs at least partially within the

sample collector (1) and from which some of the breath sample provided into the sample inlet (2) is applied at least intermittently to the sensor (16) via a measurement gas duct (21) and which opens into the environment (7) via an outlet downstream of the measurement gas duct (21) in the flow direction; and between the sample inlet (2) and the outlet of the main flow duct (10) there is at least one further outflow opening (6) through which some of the breath sample introduced into the sample inlet (2) exits into the environment (7).

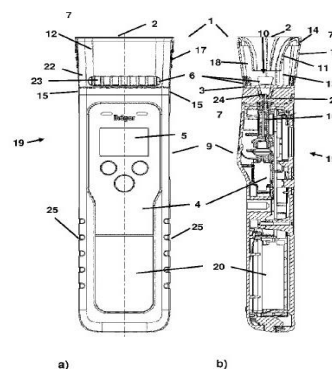


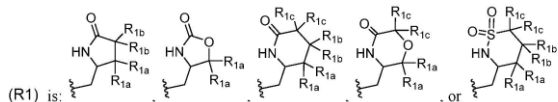
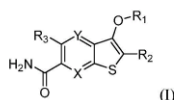
Fig. 4

21: 2019/08220. 22: 2019/12/10. 43: 2021/09/28
 51: A61K; A61P; C07D
 71: Bristol-Myers Squibb Company
 72: AHMAD, Saleem, LI, Ling, NEGASH, Lidet A., HYNES, John
 33: US 31: 62/504,956 32: 2017-05-11

54: THIENOPYRIDINES AND BENZOTHIOPHENES USEFUL AS IRAK4 INHIBITORS

00: -

Disclosed are compounds of Formula (I) or a salt or prodrug thereof, wherein: X is CR₄ or N; Y is CR₅ or N; provided that only one of X and Y is N; (R₁) is: or; wherein R₁, R_{1a}, R_{1b}, R_{1c}, R₂, and R₃ are define herein. Also disclosed are methods of using such compounds as modulators of IRAK4, and pharmaceutical compositions comprising such compounds. These compounds are useful in treating, preventing, or slowing inflammatory and autoimmune diseases, or in the treatment of cancer.



21: 2019/08579. 22: 2019/12/23. 43: 2021/11/29
51: B65H

71: Patrice KANDIN (French Citizen)

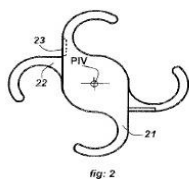
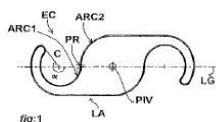
72: Patrice KANDIN (French Citizen)

33: FR 31: 17/70715 32: 2017-07-05

54: DEVICE FOR WINDING A FLEXIBLE TUBE

00: -

The invention relates to a device for winding a flexible tube, comprising two identical plates (LA) mounted head-to-foot against one another and pivoting as one about the respective axes of axial symmetry thereof, said axes forming a pivot axis (PIV). The device is characterised in that: the left-hand edge of one of the plates is provided with an upwardly-open recess (EC) formed by a first arc of circle (ARC1) of which the origin is a connection point (PR) located on the right-hand edge of the recess and on the longitudinal axis (LG) of the plate, a diameter of the first arc of circle being borne by the longitudinal axis, and the first arc of circle having a central angle at least equal to 180°.



21: 2020/00078. 22: 2020/01/07. 43: 2021/10/20
51: G06Q, G06F

71: IDECO BIOMETRIC SECURITY SOLUTIONS (PROPRIETARY) LIMITED

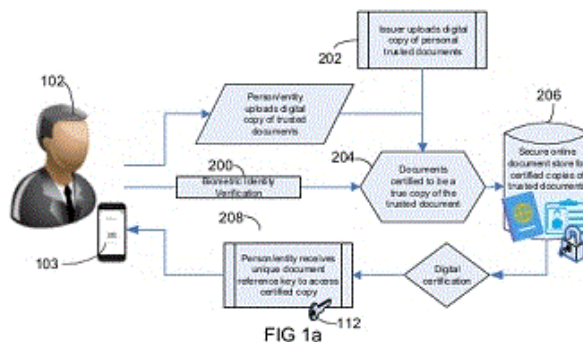
72: COETZEE, MARIUS

33: ZA 31: 2019/00916 32: 2019-02-13

54: SYSTEM AND METHOD FOR PROVIDING A CERTIFIED COPY OF A DOCUMENT

00: -

The invention relates to a method of, and system for, creating/generating a certified digital copy of a document. The system includes a communication module and a certification module. The communication module is configured to receive identification information of a user via a communication network/link, and receive/retrieve a digitised copy/version of a document which is associated with the user from a database or via a communication network/link. The certification module is configured to compare the received identification information with identification information which is associated with the particular document and which is stored on the database or another database. If the comparison indicates a match, then the certification module creates/generates a certified digital copy/version of the digitised document.



21: 2020/00620. 22: 2020/01/30. 43: 2021/10/15
51: A01P; C12N

71: Valent BioSciences LLC

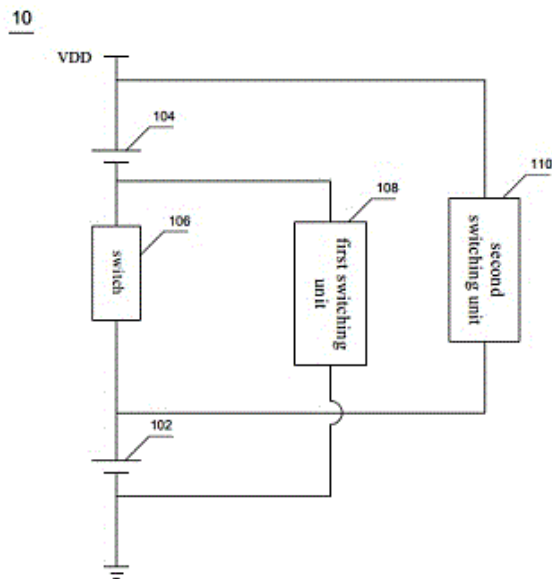
72: HUANG, Zhengyu, BELKIND, Benjamin A., GANGAVARAPU, Venkat, ZHENG, Zuoxing, MAYHEW, Todd James, ALCALA, Ana Vida C.

33: US 31: 62/345,420 32: 2016-06-03

54: NON-AQUEOUS, NON-OIL BACILLUS AMYLOLIQUEFACIENS COMPOSITIONS

00: -

The present invention is directed to non-aqueous, non-oil liquid compositions comprising *Bacillus amyloliquefaciens* and a liquid carrier. The present invention is further directed methods of controlling nematodes comprising applying an effective amount of a non-aqueous, non-oil liquid composition comprising *Bacillus amyloliquefaciens* and a liquid carrier to an area in need of nematode control.



21: 2020/00766. 22: 2020/02/05. 43: 2021/10/21
51: H02J

71: GUANGDONG OPPO MOBILE TELECOMMUNICATIONS CORP., LTD.
72: CHEN, SHEBIAO, ZHANG, JUN, ZHANG, JIALIANG

54: BATTERY SUPPLY CIRCUITS, DEVICES TO BE CHARGED, AND CHARGING CONTROL METHODS

00: -
The present disclosure provides a battery supply circuit, a device to be charged, and a charging control method. The battery supply circuit includes a first cell, a second cell, a switch, a first switching unit and a second switching unit. A first end of the second cell is coupled to a first end of the second switching unit, and a second end of the second cell is coupled to a first end of the switch, a second end of the second switching unit is coupled to a second end of the switch; a first end of the first cell is coupled to the second end of the switch, a second end of the first cell is coupled to a first end of the first switching unit, and a second end of the first switching unit is coupled to the first end of the switch.

21: 2020/00783. 22: 2020/02/06. 43: 2021/10/19
51: A61K; C07K
71: GENENTECH, INC.
72: ALAVATTAM, SREEDHARA, AMLER, LUKAS , DE TOLEDO PELIZON, CHRISTINA H, BENYUNES, MARK C, CLARK, EMMA L, KWONG GLOVER, ZEPHANIA W, MITCHELL, LADA, RATNAYAKE, JAYANTHA, ROSS, GRAHAM A, WALKER, RU-AMIR
33: US 31: 61/547,535 32: 2011-10-14
33: US 31: 61/682,037 32: 2012-08-10
33: US 31: 61/567,015 32: 2011-12-05
33: US 31: 61/694,584 32: 2012-08-29
33: US 31: 61/657,669 32: 2012-06-08

54: USES FOR AND ARTICLE OF MANUFACTURE INCLUDING HER2 DIMERIZATION INHIBITOR PERTUZUMAB

00: -
The present application describes uses for and articles of manufacture including Pertuzumab, a first-in-class HER2 dimerization inhibitor. In particular, the application describes methods for extending progression free survival in a HER2-positive breast cancer patient population; combining two HER2 antibodies to treat HER2-positive cancer without increasing cardiac toxicity; treating early-stage HER2-positive breast cancer; treating HER2-positive cancer by co-administering a mixture of Pertuzumab and Trastuzumab from the same intravenous bag; treating HER2-positive metastatic gastric cancer; treating HER2-positive breast cancer with Pertuzumab, Trastuzumab and Vinorelbine; treating HER2-positive breast cancer with Pertuzumab,

Trastuzumab and aromatase inhibitor; and treating low HER3 ovarian, primary peritoneal, or fallopian tube cancer. It also describes an article of manufacture comprising a vial with Pertuzumab therein and a package insert providing safety and/or efficacy data thereon; a method of making the article of manufacture; and a method of ensuring safe and effective use of Pertuzumab related thereto. In addition the application describes an intravenous (IV) bag containing a stable mixture of Pertuzumab and Trastuzumab suitable for administration to a cancer patient.

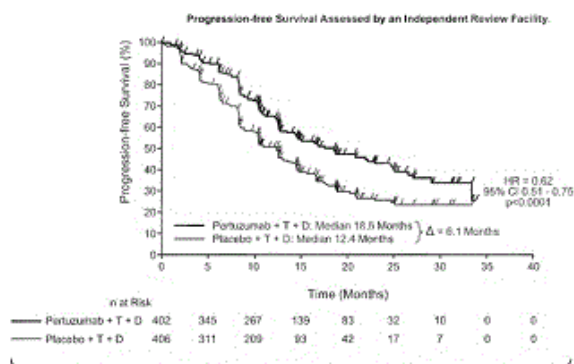
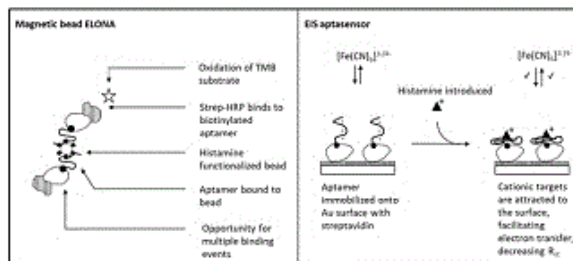


FIG. 8

21: 2020/00973. 22: 2020/02/14. 43: 2021/11/11
51: A47F

71: THERMASOLUTIONS INTERNATIONAL LIMITED

72: GREEN, COLIN

33: GB 31: 1708931.9 32: 2017-06-05

33: GB 31: 1719553.8 32: 2017-11-24

33: IB 31: PCT/EP2017/052384 32: 2017-02-03

54: REFRIGERATED DISPLAY CASE AND NIGHT COVER THEREFOR

00: -

A refrigerated display case 1 of the open front type has a roller mounted night cover (51) formed of flexible material which, in a deployed position, is arranged to close the front opening of the display case. The flexible material of the night cover has a plurality of apertures (54) arranged in a first section (51) that are disposed in an upper 30% - 40% of the front opening. The apertures have a constant diameter D, chosen to be a fixed dimension in the range 9mm - 11mm, that are arranged in a vertical and a horizontal grid. The spacing between the aperture centres in the vertical direction y of the grid is 3D and the spacing between aperture centres in the horizontal direction x of the grid is in the range 2D to 4D, preferably 3D. The specific dimensions of the first section and of the apertures and their grid arrangement is arranged to eliminate hotspots and improve the efficiency of the refrigeration system.

21: 2020/00802. 22: 2020/02/07. 43: 2021/10/20

51: C12N; C12Q

71: RHODES UNIVERSITY

72: LIMSON, JANICE LEIGH, HO, LANCE ST JOHN, FOGEL, RONEN

33: GB 31: 1901791.2 32: 2019-02-08

54: HISTAMINE-TARGETING APTAMERS AND APPLICATIONS THEREOF

00: -

The present invention relates to aptamers having selectivity for histamine and a biosensor comprising aptamers having selectivity for histamine. The invention further relates to a method of detecting histamine in a sample using the aptamers or biosensor of the invention, comprising detecting the binding of the aptamers to histamine.

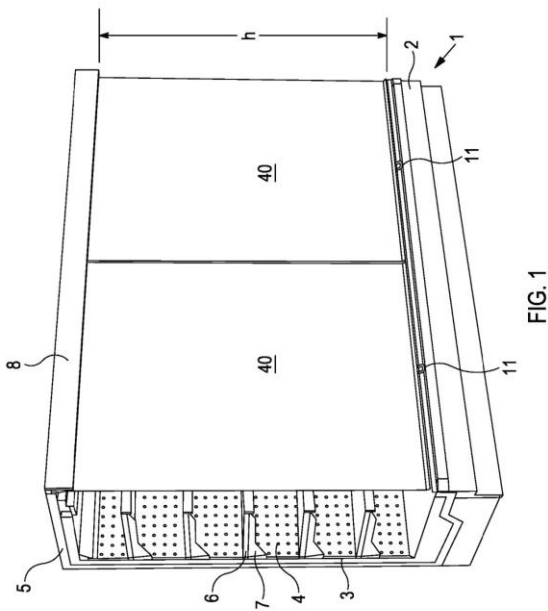


FIG. 1

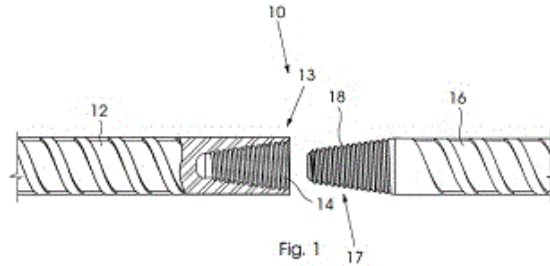


Fig. 1

21: 2020/00981. 22: 2020/02/17. 43: 2021/10/20
51: E21D

71: NAVE PHARMA AFRICA (PTY) LTD T/A RSH MINING

72: JOHNSON, JOHN FRANCIS NEVILLE

33: ZA 31: 2019/00973 32: 2019-02-15

54: ROOF BOLT ASSEMBLY

00: -

This invention relates to a roof bolt assembly. The roof bolt assembly comprises a first roof bolt portion and a second roof bolt portion, which are coupled together to form a single roof bolt. The first roof bolt portion comprises a body having a first end and a second end. The second end includes a female threaded connection extending axially into the body thereof. The second roof bolt portion includes a body with a first and a second end. The first end includes a male threaded connection extending axially therefrom. The configuration is such that, in use, the female threaded connection of the first roof bolt portion and the male threaded connection of the second roof bolt portion are engaged, thereby to couple the first and second roof bolt portions together to form the roof bolt.

21: 2020/01043. 22: 2020/02/19. 43: 2021/10/08

51: G10L H04S

71: FRAUNHOFER-GESELLSCHAFT ZUR FOERDERUNG DER ANGEWANDTEN FORSCHUNG E.V.

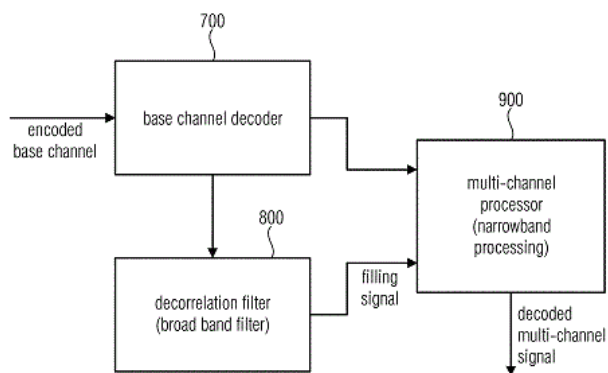
72: BÜTHE, Jan, REUTELHUBER, Franz, DISCH, Sascha, FUCHS, Guillaume, MULTRUS, Markus, GEIGER, Ralf

33: EP 31: 17183841.0 32: 2017-07-28

54: APPARATUS FOR ENCODING OR DECODING AN ENCODED MULTICHANNEL SIGNAL USING A FILLING SIGNAL GENERATED BY A BROAD BAND FILTER

00: -

An apparatus for decoding an encoded multichannel signal, comprises: a base channel decoder (700) for decoding an encoded base channel to obtain a decoded base channel; a decorrelation filter (800) for filtering at least a portion of the decoded base channel to obtain a filling signal; and a multichannel processor (900) for performing a multichannel processing using a spectral representation of the decoded base channel and a spectral representation of the filling signal, wherein the decorrelation filter (800) is a broad band filter and the multichannel processor (900) is configured to apply a narrow band processing to the spectral representation of the decoded base channel and the spectral representation of the filling signal.



21: 2020/01137. 22: 2020/02/24. 43: 2021/10/13
51: G21C

71: Joint Stock Company "State Scientific Centre of The Russian Federation - Institute for Physics and Power Engineering, Joint Stock Company "Science and Innovations"

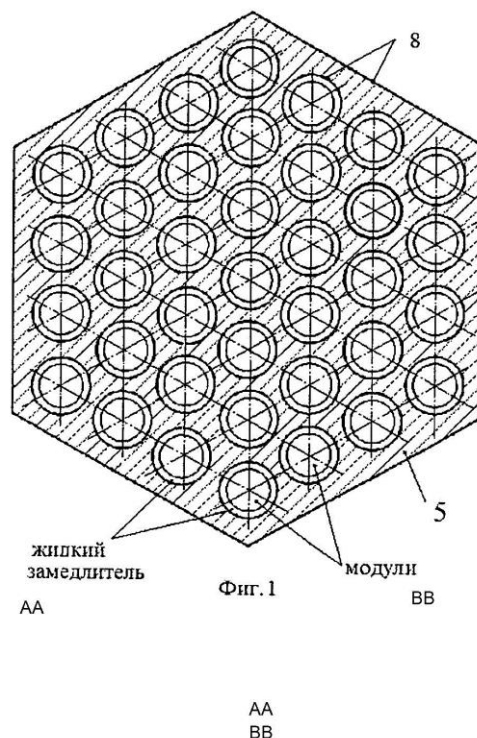
72: LOGINOV, Nikolay Ivanovich, LITVINOV, Viktor Viktorovich, KROTOV, Aleksey Dmitrievich

33: RU 31: 2018113680 32: 2018-04-13

54: NUCLEAR REACTOR CORE

00: -

A nuclear reactor core relates to the field of atomic power. A nuclear reactor core comprises at least one module, a solid neutron moderator (5) and a liquid neutron moderator. The module comprises a housing (2), at least one heat pipe, at least one fuel element, a casing (1) and thermal insulation (6). The heat pipe is formed from a housing (3) and a wick (7), and contains an evaporating coolant. The fuel element consists of a shell (4) and nuclear fuel (9). An evaporation zone of the heat pipe and the fuel elements are enclosed in the casing (1) which is filled with a liquid coolant. Liquid metals having a high boiling point, for example lithium, calcium, lead and silver, are used as the heat pipe coolant and the liquid coolant in the casing (1). The thermal insulation (6) is placed in a space between the casing (1) and the module housing (2). The solid neutron moderator (5) has at least one opening in which at least one module is arranged. A space between the solid neutron moderator (5) and the module is filled with the liquid neutron moderator. The technical result is an increase in the efficiency of reactor plants and an extension of the field of use of a core.



AA Liquid moderator
BB Modules

21: 2020/01199. 22: 2020/02/26. 43: 2021/10/08
51: C12N C12P C07K

71: CJ CHEILJEDANG CORPORATION

72: LEE, Ji Yeon, CHANG, Jin Sook, KIM, Hyung Joon, YOON, Byoung Hoon, CHOI, Sun Hyung, CHOI, Yunjung

33: KR 31: 10-2018-0035156 32: 2018-03-27

54: NOVEL PROMOTER, AND METHOD FOR PRODUCING L-AMINO ACID BY USING SAME

00: -

The present application relates to a novel promoter, and a method for producing L-amino acid by using same and, more specifically, to: a novel polynucleotide having a promoter activity, a vector and a Corynebacterium sp. microorganism comprising same; a method for producing L-amino acid by using the microorganism; a method for producing a fermented composition; and the fermentation composition.

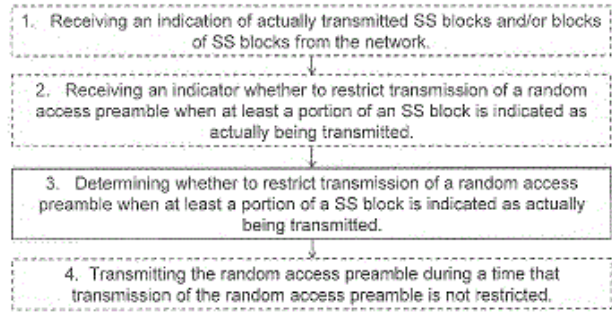
21: 2020/01202. 22: 2020/02/26. 43: 2021/10/08

51: C12N C12P C07K
 71: CJ CHEILJEDANG CORPORATION
 72: LEE, Ji Yeon, CHANG, Jin Sook, KIM, Hyung Joon, YOON, Byoung Hoon, CHOI, Sun Hyoung, CHOI, Yunjung
 33: KR 31: 10-2018-0035156 32: 2018-03-27
54: MICROORGANISM HAVING ENHANCED GLYCINE PRODUCTIVITY AND METHOD FOR PRODUCING FERMENTED COMPOSITION BY USING SAME

00: -
 The present application pertains to a microorganism having enhanced glycine productivity and a method for producing a fermented composition by using same and, more particularly, to a *Corynebacterium* sp. microorganism that has a mutation introduced into the HisG thereof, with the resultant improvement of glycine productivity, a method for producing a fermented composition comprising glycine and glutamic acid by using same, and the fermented composition.

21: 2020/01265. 22: 2020/02/27. 43: 2021/10/27
 51: H04W
 71: TELEFONAKTIEBOLAGET LM ERICSSON (PUBL)
 72: AXNÄS, JOHAN, SAHLIN, HENRIK
 33: US 31: 62/567,168 32: 2017-10-02
54: CONFIGURING RANDOM ACCESS CHANNELS FOR WIRELESS COMMUNICATIONS

00: -
 According to certain embodiments, a method for use in a wireless device is disclosed. The method comprises determining whether to restrict transmission of a random access preamble during at least a portion of a synchronization signal (SS) burst set. The SS burst set comprises at least one SS block indicated as being transmitted. In certain embodiments, the method/wireless device/computer program code further comprises transmitting the random access preamble during a time that transmission of the random access preamble is not restricted.



21: 2020/01497. 22: 2020/03/10. 43: 2021/10/20
 51: B65D
 71: MAGNABAG (PTY) LTD
 72: KAHN, DAVID SAMUEL
 33: ZA 31: 2018/08342 32: 2018-12-11
54: A CONTAINER

00: -
 A container includes a cavity therein and an opening through which items can be inserted into and removed from the cavity. A sealing mechanism, typically in the form of a zip, is connected to the opening and is movable between a closed position and an open position so the cavity in the container can be accessed through the opening. A magnetic locking mechanism is used for locking the sealing mechanism in the closed position. The locking mechanism is released when introduced to a magnetic field of sufficient magnetic strength. A security tag is connected to the container so that an external alarm system can detect if the container is removed from a predefined physical location and sound an alarm. A see-through window is formed on or in at least one wall of the container for displaying printed advertising material located in the window.

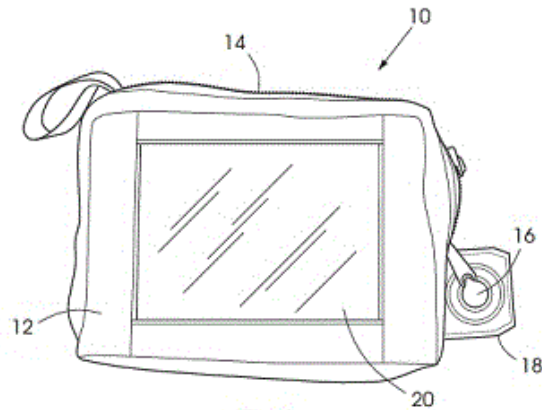


Fig. 1

21: 2020/01498. 22: 2020/03/10. 43: 2021/10/21
51: F15B

71: SKF LUBRICATION SYSTEMS GERMANY
GMBH

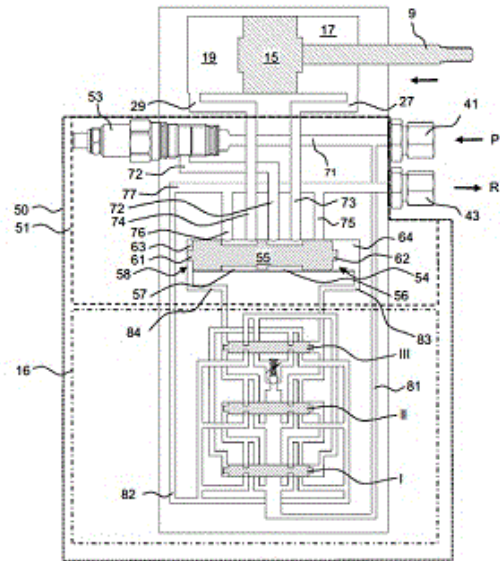
72: HESS, DIETER, KREUTZKAEMPER,
JUERGEN, SCHUERMAN, STEFAN

33: DE 31: 102019204874.9 32: 2019-04-05

**54: SWITCHING DEVICE AND LUBRICATING
PUMP**

00: -

A switching device for alternately connecting lines of a hydraulic drive of a lubricating pump (1) to a pressure line and a return line of a hydraulic circuit includes the following features: (a) hydraulic lines that are connectable to the lines of the hydraulic drive, and further hydraulic lines that are connectable to the pressure line and the return line, (b) a switching valve that is configured to interact with the hydraulic lines such that in a first switching state of the switching device at least one first of the lines of the hydraulic drive is connectable to the pressure line, and that in a second switching state of the switching device at least one second of the lines of the hydraulic drive is connectable to the pressure line, and (c) a hydraulic control unit including hydraulic control lines, of which at least the first of the control lines is connectable to the pressure line. The second of the control lines are configured as switching lines such that the switching valve is switchable by them between the first switching state and the second switching state. The hydraulic lines and the control lines are configured such that a different volumetric flow of hydraulic fluid is conductible by the hydraulic lines than by the control lines.



21: 2020/01567. 22: 2020/03/12. 43: 2021/10/27
51: F24S

71: ABSOLICON SOLAR COLLECTOR AB

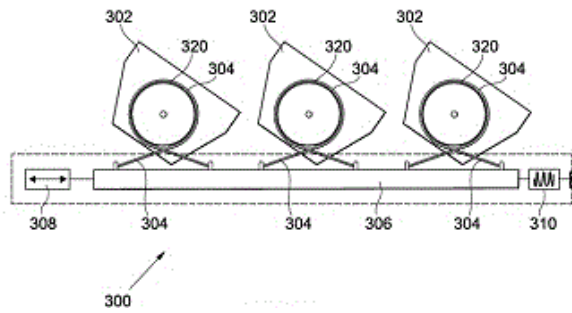
72: BYSTRÖM, JOAKIM

33: SE 31: 1751126-2 32: 2017-09-14

**54: SOLAR TRACKING ARRANGEMENT FOR
CONTROLLING PARABOLIC TROUGH SOLAR
COLLECTORS, AND A THERMAL SOLAR
ENERGY SYSTEM**

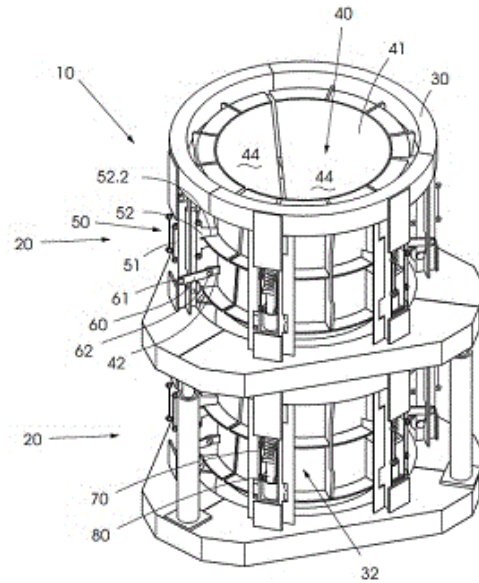
00: -

The solar tracking arrangement (300) enables a plurality of parallel arranged PTCs (302) to be directed towards the travelling sun. The solar tracking arrangement comprises a drive means (308), a transmission means (306), and a plurality of conversion means (304). The transmission means are connected with the drive means and to each of the plurality of conversion means. The transmission means is configured to convey an operating movement caused by the drive means to the plurality of conversion means, and each of the conversion means is configured to convert the conveyed operating movement into a pivoting movement of a respective one of the plurality of PTCs about a focus line, such that each of the pivoting movements directs the respective PTC towards the travelling sun. One or more of the conversion means are adjustably connected with the transmission means in a direction along the transmission means (306).



21: 2020/01629. 22: 2020/03/16. 43: 2021/10/20
 51: H05B
 71: FURNCOR ENGINEERING (PTY) LTD T/A FURNCOR
 72: JAMIESON, JOSH ELGAR ALCHWYN, O'NEILL, CORNELIUS JOHANNES
 33: ZA 31: 2018/08491 32: 2018-12-18
54: ELECTRODE SLIPPING DEVICE

00: -
 The invention relates to an electrode slipping device, and more particularly, but not exclusively, to an electrode slipping device suitable for use in an electrical arc furnace. The electrode slipping device includes a clamping device that comprises an outer frame, and a central clamping assembly located inside the outer frame, and being displaceable relative to the outer frame between a clamping position and a release position. The clamping assembly comprises a plurality of clamping shoes located side-by-side so as to define a composite circular clamping sleeve suitable for receiving an electrode therein. The clamping shoes are radially displaceable relative to the outer frame, in order for an inner diameter of the composite sleeve to change when the arcuate elements are displaced relative to the outer frame. Complementary engagement formations are provided on the outer frame and the central clamping assembly, wherein the engagement formations are configured in order for the clamping shoes to be displaced when the central clamping assembly and the outer frame are displaced relative to one another along a common longitudinal axis.



21: 2020/01639. 22: 2020/03/16. 43: 2021/09/28
 51: H04L
 71: Huawei Technologies Co., Ltd.
 72: HUANG, Lingchen, DAI, Shengchen, XU, Chen, QIAO, Yunfei, LI, Rong
 33: CN 31: 201710807301.9 32: 2017-09-08
54: ENCODING METHOD AND APPARATUS

00: -
 The present application provides an encoding method and device. The method comprises: performing CRC encoding, according to a CRC polynomial, on A information bits to be encoded, to obtain a first bit sequence, the first bit sequence comprising L CRC bits and A information bits; and performing polarization encoding on the first bit sequence. Encoding satisfying FAR requirements is realized according to the improved CRC polynomial.

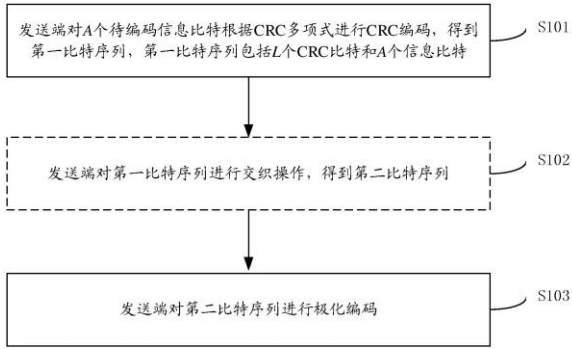
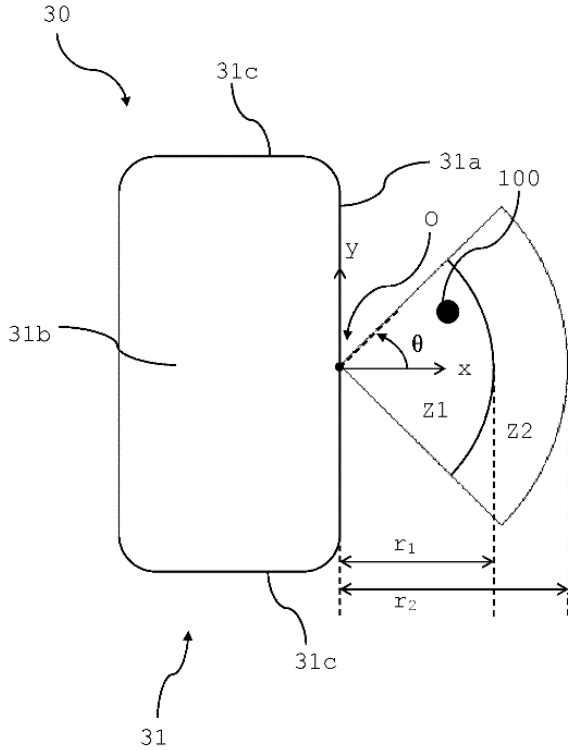


图 3

- S101 A sending terminal performs CRC encoding, according to a CRC polynomial, on A information bits to be encoded, to obtain a first bit sequence, the first bit sequence comprising L CRC bits and A information bits
- S102 The sending terminal performs an interleaving operation on the first bit sequence, to obtain a second bit sequence
- S103 The sending terminal performs polarization encoding on the second bit sequence



21: 2020/01685. 22: 2020/03/17. 43: 2021/10/15
 51: A47K; G01S
 71: ESSITY HYGIENE AND HEALTH AKTIEBOLAG
 72: ELFSTRÖM, Boris Allan

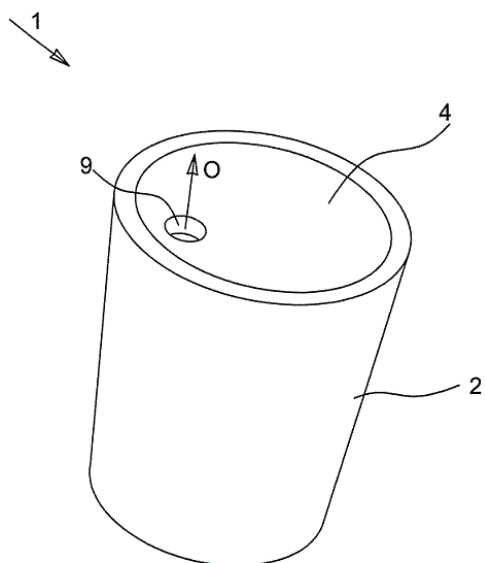
54: A DISPENSER FOR DISPENSING A HYGIENE PRODUCT AND A METHOD OF OPERATING THE SAME

00: -
 A dispenser for dispensing a hygiene product, comprising a time-of-flight sensor for measuring a position of an object relative to the dispenser; and a controller configured to selectively operate at least one function of the dispenser based on the measured position of the object relative to the dispenser.

21: 2020/01701. 22: 2020/03/18. 43: 2021/10/08
 51: G08B F41H
 71: UR FOG S.R.L.

54: FOG-GENERATING DEVICE

00: -
 A fog-generating device (1) is described, comprising a heat accumulator to store thermal energy and release it to a fog-generating fluid, to produce steam, and a thermal mass composed of a plurality of small metal plates (11, 12, 13, 14, 15, 16, 17, 18, 19, 20) housed, inside a container (2), in order to locate a path of the fog-generating fluid adapted to lick the surface of the small metal plates (11, 12, 13, 14, 15, 16, 17, 18, 19, 20), generating a vaporization of the fog-generating fluid.



discharging a reaction system effluent comprising the oligomer product from the reaction system. The reaction system includes a total reaction mixture volume and a heat exchanged portion of the reaction system comprising a heat exchanged reaction mixture volume and a total heat exchanged surface area providing indirect contact between the reaction mixture and a heat exchange medium. A ratio of the total heat exchanged surface area to the total reaction mixture volume within the reaction system is in a range from 0.75 in^{-1} to 5 in^{-1} , and an oligomer product discharge rate from the reaction system is between $1.0 \text{ (lb)(hr}^{-1}\text{)(gal}^{-1}\text{)}$ to $6.0 \text{ (lb)(hr}^{-1}\text{)(gal}^{-1}\text{)}$.

21: 2020/01763. 22: 2020/03/19. 43: 2021/10/20
51: C07K; C12N; A01N
71: CORTEVA AGRISCIENCE LLC
72: ZACK, MARC D, SOPKO, MEGAN, HASLER, JAMES M

33: US 31: 62/563,228 32: 2017-09-26

54: CHIMERIC INSECTICIDAL PROTEINS

00: -

IRDIG35563 vegetative insecticidal toxins, polynucleotides encoding such toxins, use of such toxins to control pests, and transgenic plants that produce such toxins are disclosed. The invention includes IRDIG35563 variants, fragments and analogs.

21: 2020/01774. 22: 2020/03/20. 43: 2021/10/27
51: C07C

71: CHEVRON PHILLIPS CHEMICAL COMPANY LP

72: KREISCHER, BRUCE

33: US 31: 14/858,588 32: 2015-09-18

33: US 31: 14/858,526 32: 2015-09-18

54: IMPROVED DESIGN OF AN ETHYLENE OLIGOMERIZATION/TRIMERIZATION/TETRAMERIZATION REACTOR

00: -

A process includes periodically or continuously introducing an olefin monomer and periodically or continuously introducing a catalyst system or catalyst system components into a reaction mixture within a reaction system, oligomerizing the olefin monomer within the reaction mixture to form an oligomer product, and periodically or continuously

21: 2020/02068. 22: 2020/05/04. 43: 2021/11/11
51: H02B

71: RITTAL GMBH & CO. KG

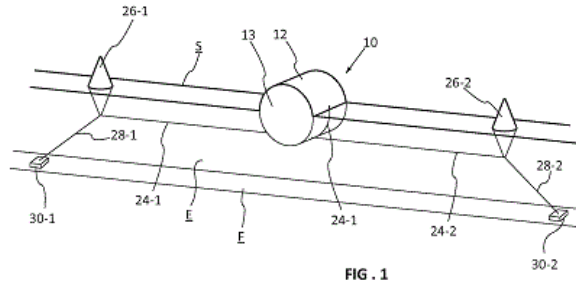
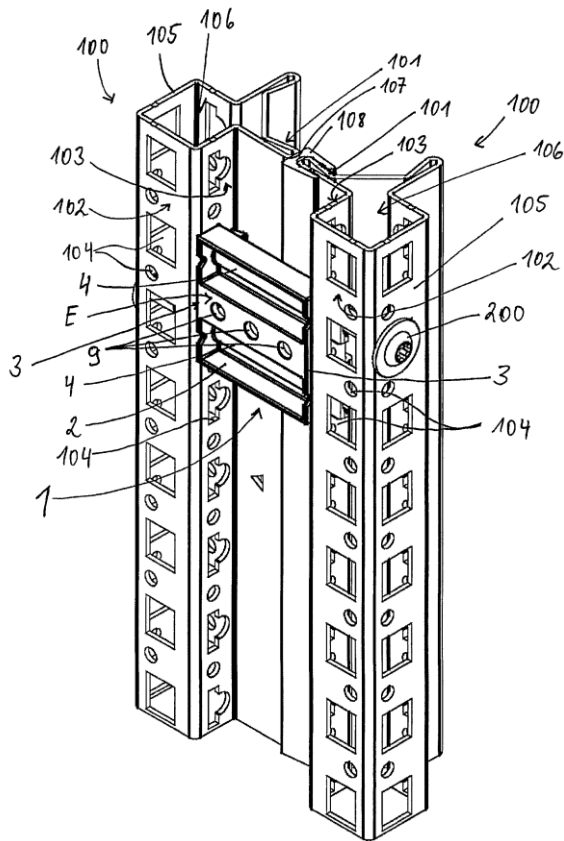
72: REUTER, Wolfgang, SCHINDLER, Timo, HOF, Michael

33: DE 31: 20 2018 100 613.4 32: 2018-02-05

54: ARRANGEMENT COMPRISING TWO SWITCH CABINET RACKS INTERCONNECTED BY MEANS OF A BAYING CONNECTOR

00: -

The invention relates to an arrangement, which comprises two switch cabinet racks (100) interconnected by means of a baying connector (1), the switch cabinet racks (100) each having a profile web (101), which lie in a first common plane and by means of which the switch cabinet racks (100) adjoin each other, and wherein the switch cabinet racks (100) each have a mounting side (102) which lie in a second common plane and face an interior space of the interconnected switch cabinet racks (100) each, the first and the second plane extending parallel to one another and being spaced apart from one another, characterized in that the baying connector (1) is completely arranged between the first and the second plane.



21: 2020/02134. 22: 2020/05/04. 43: 2021/10/08
 51: F03B B63B
 71: SEATURNS
 72: TOURNERIE, Vincent
 33: FR 31: 1771127 32: 2017-10-26
54: FLOATING WAVE ENERGY DEVICE
 00: -
 Floating wave energy device intended to be installed in an aquatic medium comprising a surface S, water E and a bottom F, produced by a cylinder (10) comprising means for generating energy, and connecting means connected to anchors (30-1) and (30-2), characterized in that the connecting means (20) are crossed.

21: 2020/02155. 22: 2020/05/04. 43: 2021/10/15
 51: C23C; C23G
 71: Henkel AG & Co. KGaA
 72: GEICK, Volker, SCHAEUBLE, Kathrin
 33: EP(DE) 31: 17191578.8 32: 2017-09-18
54: TWO-STAGE PRE-TREATMENT OF ALUMINUM, IN PARTICULAR ALUMINUM CASTING ALLOYS, COMPRISING PICKLE AND CONVERSION TREATMENT
 00: -

The present invention relates to a method for anti-corrosion treatment of components produced from aluminum, in particular casting parts such as vehicle rims, comprising a pre-treatment stage and subsequent painting. The pre-treatment stage in turn includes a pickle on the basis of sulfuric acid aqueous solutions containing water-soluble compounds of the element Ti and at least one #-hydroxycarboxylic acid which is carried out upstream of an acidic conversion treatment on the basis of an acidic aqueous solution containing water-soluble compounds of the elements Zr and/or Ti.

21: 2020/02232. 22: 2020/05/04. 43: 2021/10/15
 51: A61K
 71: Universidade De Santiago De Compostela
 72: ALONSO FERNANDEZ, María José, TEIJEIRO OSORIO, Desireé, TEIJEIRO VALIÑO, Carmen María, CADETE PIRES, Ana
 33: ES 31: P201731277 32: 2017-11-02
54: DRUG DELIVERY SYSTEMS AND METHODS COMPRISING POLYSIALIC ACID AND/OR OTHER POLYMERS
 00: -

The present invention generally relates to particles, including nanocapsules or other nanoentities, comprising a polymer such as polysialic acid. The particles are able to access the interior of the cells, and/or to procure the intracellular release of the associated drugs. In one aspect, the present invention is directed to nanocapsules or other entities having an exterior or surface comprising a polymer such as polysialic acid. In some cases, targeting moieties such as Lyp-1 or tLyp-1 peptide are bonded to the polymer, e.g., using aminoalkyl (C₁-C₄) succinimide or other linkers. These may be created, for example, by reacting a carboxylate moiety on a polymer with an aminoalkyl maleimide (C₁-C₄) or an aminoalkyl (C₁-C₄) methacrylamide, and reacting the resulting aminoalkyl (C₁-C₄) maleimide or the aminoalkyl (C₁-C₄) methacrylamide to a cysteine or other sulfur group. Targeting moieties are bonded to the polymer, for example, by reacting a carboxylate moiety on a polymer with a N-hydroxysuccinimide or a carbodiimide, and reacting the intermediate formed with a lysine or arginine group on a targeting peptide to produce polymer-amide-peptide. Other aspects of the invention are generally directed to methods of making or using such compositions, kits including such compositions, or the like.

21: 2020/02322. 22: 2020/05/04. 43: 2021/10/20
51: B29C; B65G

71: INTEGRATED PLASTICS PTY LIMITED

72: MELLEN, NICK, KIM, HO-SEON

33: AU 31: 2017903839 32: 2017-09-21

33: AU 31: 2018900977 32: 2018-03-23

33: AU 31: 2017904831 32: 2017-11-30

33: AU 31: 2018901184 32: 2018-04-10

33: AU 31: 2018900795 32: 2018-03-09

54: CONTINUOUS BLOW MOULDING MACHINE, PREFORMS, SYSTEM AND PROCESS

00: -

A continuously rotating, non-symmetric preform feed, stretch-blow-moulding machine dedicated to the stretch-blow-moulding of containers from non-symmetric injection moulded preforms; the non-symmetric preforms including an integral handle extending from a first junction point to a second junction point on a body of the preform; the body of the preform and the integral handle constituted from the same material.

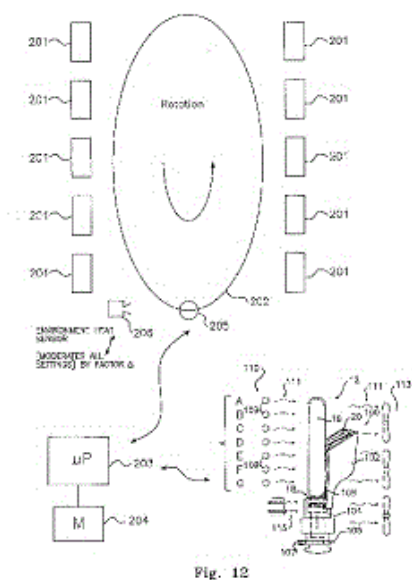


Fig. 12

This invention is in the field natural fibre composite. The invention relates to reduce noise levels within the vehicle cabin and reduce product development time. The invention provides a method of preparing a natural fibre composite for use as a sound absorber. The method comprises combining a natural fibre with a suitable matrix. The natural fibre can be a poroelastic natural fibre such as kenaf, or sisal, or combination of the kenaf and sisal natural fibres in predetermined proportions. The kenaf fibres can have a diameter of about 79 μ m and the sisal fibres may have a diameter of about 128 μ m. The matrix is a thermoplastic polymer such as Acrylonitrile Butadiene Styrene (ABS). The natural fibre composite is used as a sound absorber.

21: 2020/02444. 22: 2020/05/05. 43: 2021/11/23
51: G09G

71: CHINA JILIANG UNIVERSITY

72: Ying TANG, Yulong WANG, Zugang LIU, Hong

ZHAO, Mei YANG, Qinyuan BAI, Yi WEI

33: CN 31: 201910178386.8 32: 2019-03-12

54: IMPROVED OLED PIXEL DRIVER CIRCUIT

00: -

The present invention relates to an improved pixel driver circuit solution. The improved pixel driver circuit solution is used for a slew rate enhancement circuit which is used for the design of an organic light emitting diode (OLED) microdisplay. The area of a basic pixel unit of the OLED microdisplay only is a few hundred square microns, so the drive current of a pixel circuit only is hundreds of picoamps to tens of nanoamps. When the gray scale is very low, the slew rate enhancement circuit is utilized to be inserted into an original circuit, and at this time, the circuit current of a built-in reference voltage is tiny and is easy to be influenced by noise of a switching transistor, so an isolator is needed to be added between the reference voltage and the switching transistor M1 in order to isolate the noise generated by the switching transistor.

21: 2020/02353. 22: 2020/05/04. 43: 2021/09/14

51: C08J; C08K; D04H

71: TSHWANE UNIVERSITY OF TECHNOLOGY

72: DUNNE Regan Kyle, DAWOOD, Desai, SADIKU

Emmanuel Rotimi

33: ZA 31: 2019/02168 32: 2019-04-08

54: NATURAL FIBRE COMPOSITE

00: -

21: 2020/02485. 22: 2020/05/06. 43: 2021/10/15

51: C04B; C08L; E01C

71: Iterchimica S.r.l.

72: GIANNATTASIO, Federica, CISANI, Sergio,

BERTULETTI, Elisa

33: IT 31: 102017000126622 32: 2017-11-07

54: ADDITIVE COMPOSITION FOR BITUMINOUS CONGLOMERATES WITH HIGH MECHANICAL PERFORMANCES

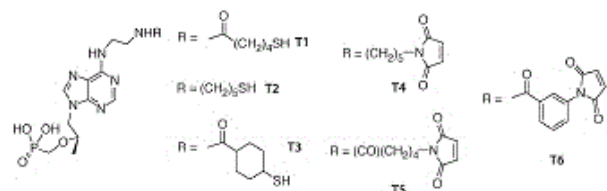
00: -
 Additive composition intended to be mixed into bituminous conglomerates for road paving, comprising a thermoplastic polymer, a polymeric compound selected from the group consisting of polyvinylbutyral (PVB), polyethylacrylate (PEA) polymethylacrylate (PMA), polybutylacrilate (PBA), lignin and mixtures thereof, and graphene, preferably wherein the graphene is contained in quantity between 0.005 and 1% by weight based on the total weight of the composition; it is also described a bituminous conglomerate suitable for making a road paving, comprising aggregates, filler, bitumen and said additive.

21: 2020/02656. 22: 2020/05/11. 43: 2021/10/26
 51: G01N; A61K

71: ORASURE TECHNOLOGIES, INC.
 72: DAUGHTRIDGE, GIFFIN, KARDOS, KEITH
 33: US 31: 62/572,126 32: 2017-10-13

54: PRODUCTS AND METHODS FOR MONITORING ADHERENCE TO NUCLEOSIDE REVERSE TRANSCRIPTASE INHIBITOR THERAPY

00: -
 The invention provides novel compounds, reagents, systems, and methods for detecting a metabolite related to a NRTI in a biological sample, and use thereof in monitoring adherence to pre-exposure prophylaxis or anti-retroviral treatment. Such reagents comprise NRTI derivatives, analogs, NRTI derivatives conjugates, along with antibodies directed to same, which are useful for antibody-based methods, such as a lateral flow immunoassay and other point of care devices.

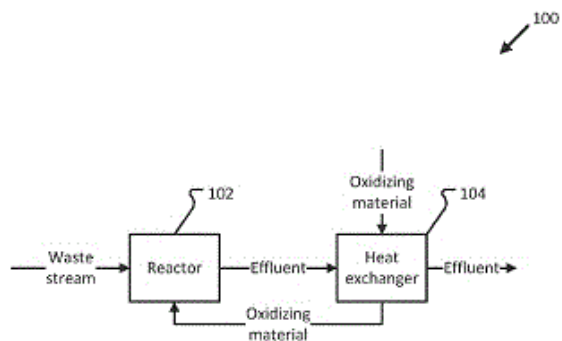


21: 2020/02658. 22: 2020/05/11. 43: 2021/10/20
 51: A62D; C02F
 71: DUKE UNIVERSITY

72: NAGAR, YAACOV, JOOSS, KATHLEEN, DESHUSSES, MARC, DUBA, KURABACHEW
 33: US 31: 62/574,787 32: 2017-10-20

54: SYSTEMS, METHODS, AND TECHNIQUES FOR WASTE PROCESSING

00: -
 A waste processing system includes a reactor including an inlet end and an outlet end configured to discharge reactor effluent. The inlet end includes a mixing unit having an oxidizing material input and a waste stream input. The reactor oxidizing material input is configured to receive reactor oxidizing material at a temperature greater than 200°C and at a pressure greater than 60 atm. A second waste stream input is positioned between the reactor inlet end and the reactor outlet end.



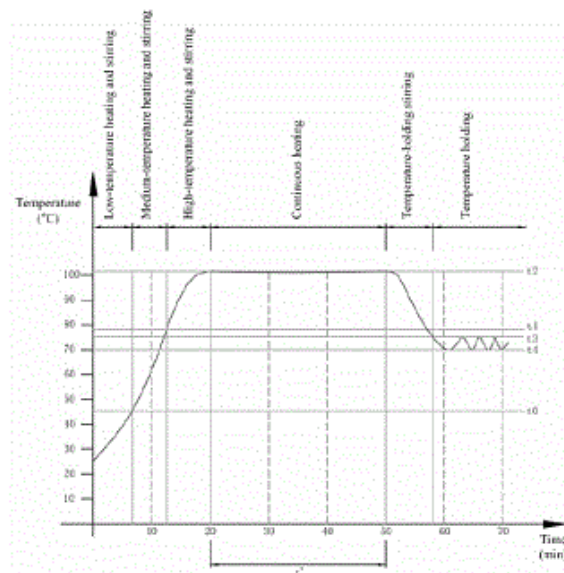
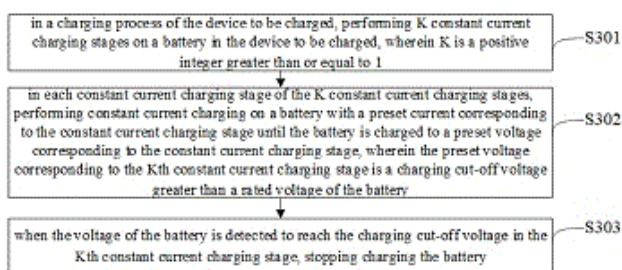
21: 2020/02676. 22: 2020/05/12. 43: 2021/10/27
 51: H02J

71: GUANGDONG OPPO MOBILE TELECOMMUNICATIONS CORP., LTD.
 72: CHEN, WEI

54: CHARGING CONTROL METHOD, CHARGING CONTROL DEVICE AND COMPUTER STORAGE MEDIUM

00: -
 Embodiments of the present disclosure provide a charging control method, a charging control device and a computer storage medium. The method is applicable for a device to be charged, and includes: in a charging process of the device to be charged, performing K constant current charging stages on a battery in the device to be charged, where K is a positive integer greater than or equal to 1; in each constant current charging stage of the K stages, performing constant current charging on the battery with a preset current corresponding to the constant current charging stage until the battery is charged to a preset voltage corresponding to the constant

current charging stage, wherein the preset voltage corresponding to the Kth constant current charging stage is a charging cut-off voltage greater than a rated voltage of the battery; and when the voltage of the battery is detected to reach the charging cut-off voltage in the Kth constant current charging stage, stopping charging the battery.



21: 2020/02731. 22: 2020/05/13. 43: 2021/10/27
 51: A47J
 71: CHANGHONG MEILING HOME APPLIANCES TECHNOLOGY CO., LTD.
 72: CHEN, ZHIYONG, MA, QINGBING
 33: CN 31: 201911423897.8 32: 2019-12-31
54: METHOD FOR PREPARING PIZZA-TYPE FOOD WITH INTELLIGENT HEATING AND STIRRING COOKING MACHINE

00: -
 The present disclosure relates to a method for preparing pizza-type food with an intelligent heating and stirring cooking machine, including the following preparation steps: step 1: a preparation phase; step 2: a low-temperature heating and stirring phase; step 3: a medium-temperature heating and stirring phase; step 4: a high-temperature heating and stirring phase; step 5: a continuous heating phase; step 6: a temperature-holding stirring phase; and step 7: a temperature-holding phase. According to the method for preparing pizza-type food with an intelligent heating and stirring cooking machine, pizza-type food can be easily prepared through proper control and preparation steps. Moreover, a preparation effect is good, a preparation time is short, operations are convenient, and user experience is good.

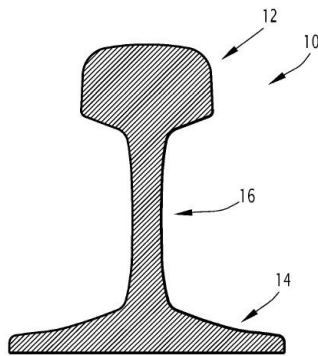
21: 2020/02780. 22: 2020/05/14. 43: 2021/10/27
 51: B32B; B65D
 71: AMCOR FLEXIBLES TRANSPAC BVBA
 72: DE SCHOENMAKER, BERT, MALFAIT, TONY, PLAETINCK, LIEVEN
 33: EP 31: 17203752.5 32: 2017-11-27
54: SINGLE-SERVE PORTION PACK

00: -
 The present invention is related to a single-serve portion pack comprising a multilayer film structure, said multilayer film structure comprising a protective layer, a print, a base layer and a peelable seal layer, said print situated in-between said protective layer and said base layer wherein said protective layer is a polyalkylene terephthalate based layer characterized by: - a stress value at 20% strain, at 90°C, comprised between 5 and 20MPa, preferably between 5 and 15 MPa; - a melting peak temperature comprised between 190 and 240°C, preferably between 200 and 230°C.

21: 2020/02822. 22: 2020/05/15. 43: 2021/11/11
 51: B21B; C21D; C22C; E01B
 71: ARCELORMITTAL
 72: José ARANCON ALVAREZ, David ALVAREZ DIEZ, José Manuel ARTIMEZ ENCINA, Francisca GARCIA CABALLERO, Benjamin POHU
 33: IB 31: PCT/IB2017/057424 32: 2017-11-27
54: METHOD FOR MANUFACTURING A RAIL AND CORRESPONDING RAIL

00: -
 Method for manufacturing a rail, comprising: - casting a steel to obtain a semi-product, said steel

having a composition comprising 0.20% # C # 0.60%, 1.0% # Si # 2.0%, 0.60% # Mn # 1.60% and 0.5 # Cr # 2.2%, optionally 0.01% # Mo # 0.3%, 0.01% # V # 0.30%; the remainder being Fe and impurities - hot rolling the semi-product into a hot rolled semi-product having the shape of the rail and comprising a head, with a final rolling temperature TFRT higher than Ar3; - cooling the head to a cooling stop temperature TCS between 200°C and 520°C, the temperature of the head over time being comprised between an upper boundary having the coordinates defined by A1 (0 second, 780°C), B1 (50 seconds, 600°C), and C1 (110 seconds, 520°C) and a lower boundary having the coordinates defined by A2 (0 second, 675°C), B2 (50 seconds, 510°C), and C2 (110 seconds, 300°C); - maintaining the head in a temperature range comprised between 300°C and 520°C during a holding time thold of at least 12 minutes, and; - cooling down the hot rolled semi-product to room temperature to obtain the rail.

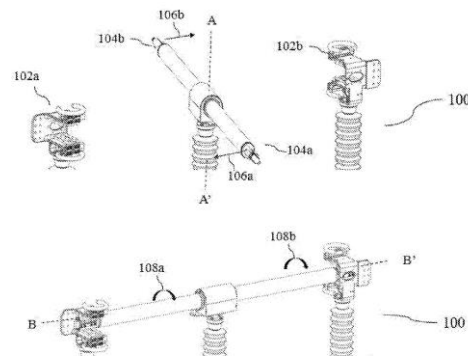


21: 2020/02828. 22: 2020/05/15. 43: 2021/09/28
 51: H01H
 71: ABB Power Grids Switzerland AG
 72: SINJONIA, Manish, KANSARA, Krunal, KADAM, Ajit, CHAUHAN, Shashwat
 33: IN 31: 201741041220 32: 2017-11-17

54: CONTACT SYSTEM FOR ELECTRICAL CURRENT CONDUCTION AND BUS TRANSFER SWITCHING IN A SWITCHGEAR

00: -
 The invention relates to a switchgear (100) having bus transfer current switching capability by turn and twist mechanism. The switchgear comprises a contact system for electrical current conduction and bus transfer switching. The contact system has fixed and movable contact assemblies. Each contact

assembly comprises main and arcing contacts. The arcing contacts (204, 310) are for bus transfer switching. The movable contact assembly comprises a current path pipe (302) and an end piece (304). The current path pipe (302) is a cylindrical pipe, and the end piece (304) is a rectangular block. The movable contact assembly comprises a movable main contact (308) provided on the rectangular block, and a movable arcing contact (310) provided at the end of the cylindrical pipe on a portion about the periphery. During engagement, the cylindrical pipe (302) turns about a first axis to bring the contact assemblies proximal to each other, and twists about a second axis for engagement of the main contacts (202a, 202b, 308).



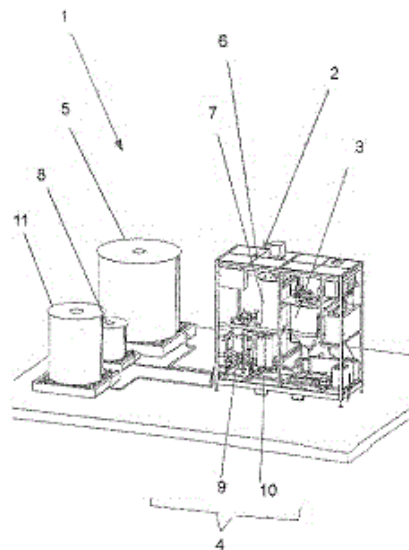
21: 2020/02848. 22: 2020/05/15. 43: 2021/10/26
 51: B09B; C02F

71: NEWSTER SYSTEM S.R.L.
 72: BENEDETTINI, ELISA, MAGRINI, GIANLUCA, RONCHI, GILBERTO, CATAPANO, ENRICO, CASALBONI, GIORGIO

33: IT 31: 102017000128463 32: 2017-11-10

54: PLANT AND METHOD FOR THE TREATMENT OF WASTE, IN PARTICULAR WASTE FROM LABORATORIES FOR MEDICAL ANALYSIS

00: -
 A plant for the treatment of waste, in particular waste from laboratories for medical analysis, comprises an equipment (2) for pre-treatment of waste designed to change at least one physical and/or chemical characteristic of the waste, at least one reaction tank (3), located downstream of said equipment (2) for pre-treatment, and at least one filtration system (4) located downstream of said reaction tank (3).

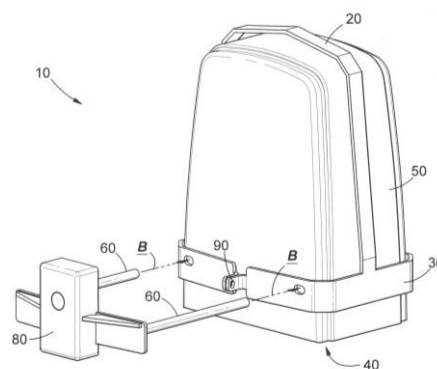


21: 2020/02907. 22: 2020/05/19. 43: 2021/11/25
51: E05B

71: CENTURION SYSTEMS (PTY) LIMITED
72: BONNEY, Lee Gordon, RENS, Grant Edwin
33: ZA 31: 2019/02913 32: 2019-05-10

54: ANTI-THEFT DEVICE

00: -
An anti-theft device comprising a frame, terminating at one end in a pair of opposed arms, the frame being dimensioned and configured to receive a motor within it; at least one locking rod – and preferably a pair of spaced-apart rods – for locking the device to the motor, the rod passing through at least part of the internal mechanics of the motor; and a lock, for locking the device to the motor, characterised in that any unauthorised, forced removal, or attempted removal, of the device from the motor forces the rods to damage at least part of the internal mechanics, rendering the motor inoperable.



21: 2020/02937. 22: 2020/05/20. 43: 2021/10/08
51: C09K

71: RPL HOLDINGS LIMITED
72: POOLE, John Edward, POWELL, Richard
33: GB 31: 1719692.4 32: 2017-11-27
33: GB 31: 1800521.5 32: 2018-01-12
33: GB 31: 1805792.7 32: 2018-04-06
33: GB 31: 1810959.5 32: 2018-07-04
33: GB 31: 1815477.3 32: 2018-09-24
33: GB 31: 1816781.7 32: 2018-10-15

54: LOW GWP REFRIGERANT BLENDS

00: -
Non-ozone depleting and non-flammable refrigerant compositions with GWPs less than 1050 which may replace HFC404A, HFC507 and HFC410A in refrigeration and air-conditioning systems.

21: 2020/02958. 22: 2020/05/20. 43: 2021/10/15
51: A61K; A61P

71: Eli Lilly and Company
72: COX, David Andrew, MILICEVIC, Zvonko, THAM, Lai San, WERNER, Andrew Gordon, WOODWARD, David Bradley
33: US 31: 62/589,244 32: 2017-11-21

54: METHODS OF USING AND COMPOSITIONS CONTAINING DULAGLUTIDE

00: -
The present invention relates to methods of using new doses of dulaglutide and compositions containing such higher doses of dulaglutide.

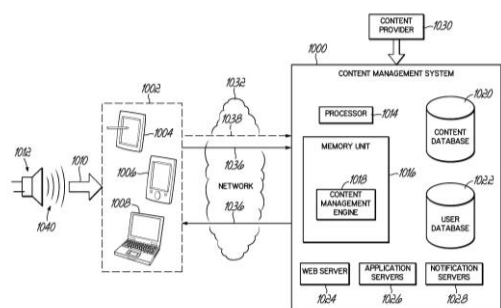
21: 2020/03077. 22: 2020/05/25. 43: 2021/10/08
51: H04B

71: LISNR, Inc.
72: FARRAR, Rebekah L., PRINCE, Daniel Paul, KNAUER, William
33: US 31: 15/719,164 32: 2017-09-28

54: HIGH BANDWIDTH SONIC TONE GENERATION

00: -
 A sonic signal encodes a symbol sequence representing a binary message, for delivery as audio content. The symbols are associated with frequency characteristics transmitted over a time period. Two carriers (A/C, B/D) are transmitted at two selected frequencies during each time period, delivering the binary data at a high rate. The symbol sequence 4014 is preceded by a prefix 4006, 4008, 4010 which includes a sweeping frequency tone 4006 which sweeps over the frequency ranges of the carriers. Further, the amplitudes of the carriers are adjusted so that higher frequency transmissions (e.g. those using carriers C/D) are transmitted at higher sound pressure levels. Methods 6000-6140 for synchronizing to the symbol sequence and decoding the symbol sequence are also described.

comprising enzalutamide, abiraterone or apalutamide and a p38 inhibitor selected from LY2228820 and ARRY-614, and at least one pharmaceutically acceptable excipient. The invention also concerns the use of a p38 inhibitor for restoring the sensitivity to androgen-deprivation therapy (ADT) in patients suffering from prostate cancers having acquired a resistance to ADT following a treatment with an inhibitor of the androgen receptor signaling pathway and wherein the prostate tumour cells express the AR-V7 variant androgen receptor protein.



21: 2020/03096. 22: 2020/05/25. 43: 2021/10/08
 51: H04W
 71: TELEFONAKTIEBOLAGET LM ERICSSON (PUBL)
 72: RUNE, JOHAN, BERGQVIST, JENS, FRENGER, PÅL
 33: US 31: 62/616,200 32: 2018-01-11

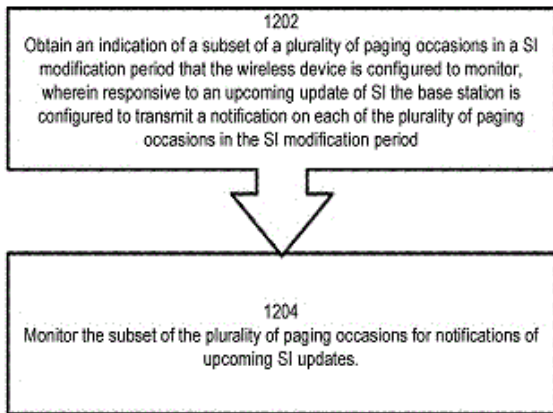
54: METHODS AND APPARATUS FOR UPDATING SYSTEM INFORMATION

00: -
 According to embodiments described herein there is provided methods and apparatus for receiving notifications at a wireless device from a base station of upcoming system information (SI) updates. The wireless device is communicating with the base station using a contiguous subset of physical resources on a first carrier. A method in a wireless device comprises obtaining an indication of a subset of a plurality of paging occasions in a SI modification period that the wireless device is configured to monitor, wherein responsive to an upcoming update of SI the base station is configured to transmit a notification on each of the plurality of paging occasions in the SI modification period; and monitoring the subset of the plurality of paging occasions for notifications of upcoming SI updates.

21: 2020/03095. 22: 2020/05/25. 43: 2021/10/08
 51: A61K; A61P
 71: INSTITUT RÉGIONAL DU CANCER DE MONTPELLIER (ICM), INSTITUT NATIONAL DE LA SANTE ET DE LA RECHERCHE MEDICALE (INSERM), UNIVERSITÉ DE MONTPELLIER
 72: GONGORA, CÉLINE, TOSI, DIEGO
 33: EP 31: 17306576.4 32: 2017-11-14

54: ASSOCIATION OF ACTIVES FOR TREATING PROSTATE CANCER

00: -
 The invention concerns a pharmaceutical combination of an inhibitor of the androgen receptor signaling pathway and of a p38 inhibitor for use in the treatment of prostate cancer in individuals wherein the prostate tumor cells express the AR-V7 variant androgen receptor protein or for preventing the occurrence of resistance in patients suffering from prostate cancer treated by an inhibitor of the androgen receptor signaling pathway. The invention further concerns a pharmaceutical composition



21: 2020/03119. 22: 2020/05/26. 43: 2021/10/15
 51: A61K; A61P; C07C
 71: Synergia Life Sciences Pvt. Ltd.
 72: MEHTA, Dilip, VAIDYA, Ashok, VAIDYA, Rama, DOUND, Yogesh, DE SOUZA, Anselm
 33: IN 31: 201721045728 32: 2017-12-19
54: VITAMIN K2 COMPOSITIONS FOR THE TREATMENT OF DRUG INDUCED NEUROPATHY
 00: -

The present invention provides the use of vitamin K2 compositions for the treatment of drug- induced neuropathy. More particularly it is related to the use of vitamin K2-7 compositions for the treatment of drug- induced peripheral neuropathy caused by the drugs used for the treatment of multiple myeloma.

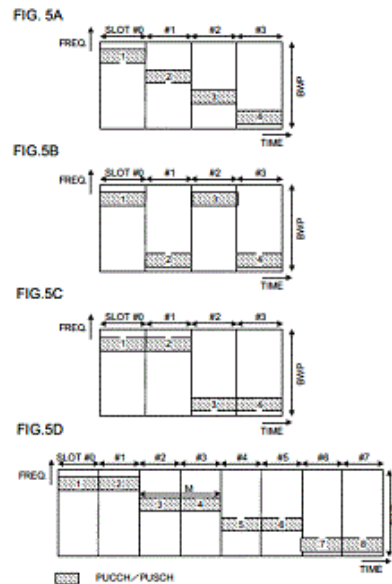
21: 2020/03186. 22: 2020/05/28. 43: 2021/10/08
 51: C09D
 71: KANSAI PAINT CO., LTD.
 72: MEHROTRA, MAHESH, MARATHE, MUKUL
 33: IN 31: 201721027842 32: 2017-08-04
54: AN ANTI MOSQUITO PAINT COMPOSITION AND A PROCESS FOR PREPARATION THEREOF
 00: -

The present disclosure relates to an anti mosquito paint composition and a process for preparation thereof. The anti mosquito paint composition comprises a polymeric emulsion, an insecticide that depolarizes axonal sodium channels of mosquitoes, a biocide, a pigment, a dispersing agent, a filler, and water. The insecticide is in an amount in the range of 0.9 to 1.1 mass% of the total mass of the anti mosquito paint composition, which acts on the central nervous system (CNS) of the mosquitoes by affecting the sodium channels in the axonal

membranes, thereby paralyzing the mosquito and further leading to its death. The anti mosquito paint composition of the present disclosure is non-toxic to humans.

21: 2020/03244. 22: 2020/05/29. 43: 2021/10/26
 51: H04B; H04L
 71: NTT DOCOMO, INC.
 72: MATSUMURA, YUKI, TAKEDA, KAZUKI, NAGATA, SATOSHI, WANG, LIHUI
54: USER TERMINAL AND RADIO COMMUNICATION METHOD

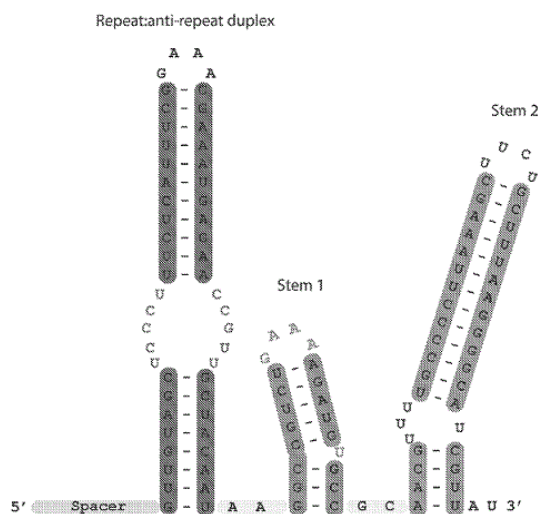
00: -
 The present invention is designated to appropriately control inter-slot frequency hopping of an uplink channel/signal. A user terminal of the present invention includes a transmitting section that transmits an uplink control channel over a plurality of slots and a control section that controls frequency hopping of the uplink control channel between the plurality of slots.



21: 2020/03314. 22: 2020/06/03. 43: 2021/10/08
 51: C12N
 71: UNIVERSITY OF MASSACHUSETTS
 72: SONTHEIMER, Erik, Joseph, IBRAHEIM, Raed, XUE, Wen, MIR, Aamir, EDRAKI, Alireza, ILDAR, Gainetdinov
 33: US 31: 62/596,375 32: 2017-12-08
 33: US 31: 62/584,310 32: 2017-11-10
 33: US 31: 62/667,084 32: 2018-05-04
54: TARGETED CRISPR DELIVERY PLATFORMS

00: -

The present invention is related to compositions and methods for gene therapy. Several approaches described herein utilize the Neisseria meningitidis Cas9 system that provides a hyperaccurate CRISPR gene editing platform. Furthermore, the invention incorporates full length and truncated single guide RNA sequences that permit a complete sgRNA-Nme1Cas9 vector to be inserted into an adeno-associated viral plasmid that is compatible for in vivo administration. Furthermore, Type II-C Cas9 orthologs have been identified that target protospacer adjacent motif sequences limited to between one - four required nucleotides.



21: 2020/03317. 22: 2020/06/03. 43: 2021/10/08

51: A01B

71: KVERNELAND GROUP OPERATIONS NORWAY AS

72: FURRE, Arnold, SØLVBERG, Erlend, EGELAND, Øyvind

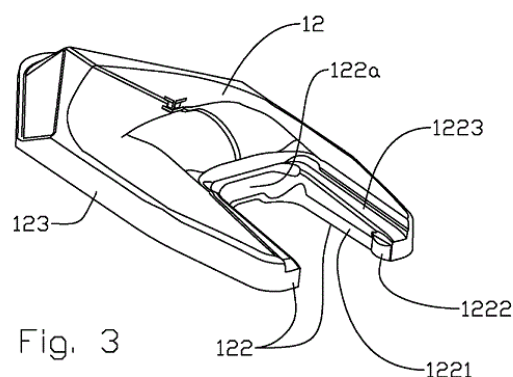
33: EP 31: 17200596.9 32: 2017-11-08

54: QUICK-FIT COUPLING FOR A WEARING PART OF A SOIL-WORKING TOOL

00: -

A wearing part arrangement (1) provided with a holder (11) providing releasable attachment of a wearing part (12) by means of a socket-and-pin type quick-fit coupling, wherein the holder (11) comprises a pair of opposing first guide portions (1132) being arranged to face corresponding supporting faces (1221) provided on the wearing part (12), and a pair of second guide portions (1134) arranged to face

corresponding top faces (1223) of the wearing part (12), wherein one of the pair of the opposing first guide portions (1132) and the corresponding side supporting faces (1221) of the wearing part (12) is provided with at least one elevation (1222), and the other one of the pair of the opposing first guide portions (1132) and the corresponding side supporting faces (1221) is provided with a corresponding recess (1135) arranged for receipt of the elevation (1222) when the wearing part (12) is in engagement with the holder (11).



21: 2020/03448. 22: 2020/06/09. 43: 2021/10/26

51: C12P; A23L

71: LESAFFRE ET COMPAGNIE

72: JOLIVET, HÉLÈNE, MENIN, RUDY, THOMAS, ANTOINE

33: FR 31: 17 62074 32: 2017-12-13

54: RIBONUCLEOTIDE-RICH YEAST EXTRACT AND USE OF SAME FOR MASKING UNDESIRABLE FLAVOURS AND UNDESIRABLE AROMATIC NOTES

00: -

The present invention concerns a novel yeast extract comprising 25% to 55% by weight of 5'-ribonucleotides, including 5% to 20% by weight of adenosine 5'-monophosphate (5'-AMP) and 5% to 20% by weight of guanosine 5'-monophosphate (5'-GMP) in a 5'-AMP/5'-GMP ratio ranging from 0.85 to 1.25. The weight percentages are expressed relative to the weight of dry matter of the yeast extract. The invention also concerns the use of such an extract for masking bitter and acid flavours and undesirable notes of sweeteners and proteins and undesirable metallic notes in a product, and a method for masking these flavours and notes.

21: 2020/03485. 22: 2020/06/10. 43: 2021/09/28
51: A61K; C12N

71: The Trustees of the University of Pennsylvania
72: WILSON, James M., HINDERER, Christian,
HORDEAUX, Juliette

33: US 31: 62/593,090 32: 2017-11-30

**54: GENE THERAPY FOR
MUCOPOLYSACCHARIDOSIS IIIB**

00: -

Provided herein is a recombinant AAV (rAAV) comprising an AAV capsid and a vector genome packaged therein, wherein the vector genome comprises an AAV 5' inverted terminal repeat (ITR), an engineered nucleic acid sequence encoding a functional human N-acetyl-alpha-glucosaminidase (hNAGLU), a regulatory sequence which direct expression of hNAGLU in a target cell, and an AAV 3' ITR. Also provided is a pharmaceutical composition comprising a rAAV as described herein in a formulation buffer, and a method of treating a human subject diagnosed with MPS IIIB.

21: 2020/03577. 22: 2020/06/15. 43: 2021/11/09
51: A61K; C07D; A61P

71: SIEGFRIED AG, CONTRAF-NICOTEX-
TOBACCO GMBH

72: WEBER, Beat, LOTHSCHÜTZ, Christian, PAN,
Ben

33: EP 31: 17210187.5 32: 2017-12-22

**54: PREPARATION OF RACEMIC NICOTINE BY
REACTION OF ETHYL NICOTINATE WITH N-
VINYLPIRROLIDONE IN THE PRESENCE OF AN
ALCOHOLATE BASE AND SUBSEQUENT
PROCESS STEPS**

00: -

The present invention relates to a method of preparing racemic nicotine comprising: (i) reacting ethyl nicotinate and N-vinylpyrrolidone in the presence of an alcoholate base to 3-nicotinoyl-1-vinylpyrrolidin-2-one; (ii) reacting the 3-nicotinoyl-1-vinylpyrrolidin-2-one with an acid to myosmine; (iii) reducing the myosmine to nornicotine using a reducing agent; and (iv) methylating the nornicotine to obtain the racemic nicotine.

21: 2020/03628. 22: 2020/06/17. 43: 2021/10/08
51: C12N A61K

71: HANMI PHARM. CO., LTD.

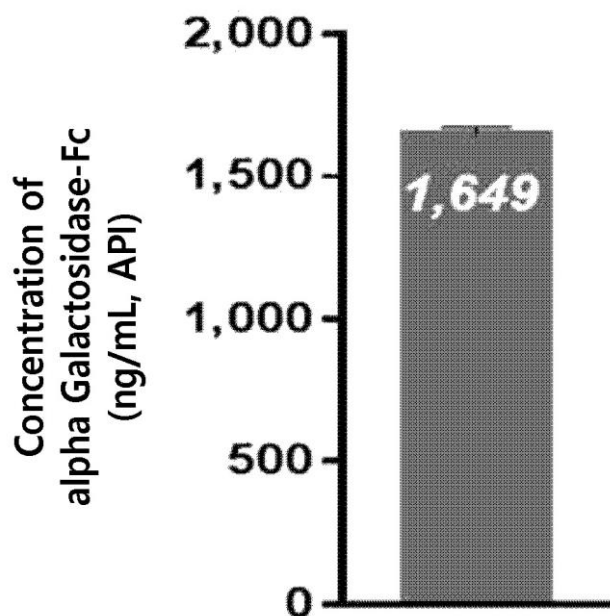
72: JUNG, Eui Joon, KIM, Jin Young, CHOI, In
Young, JUNG, Sung Youb

33: KR 31: 10-2017-0178378 32: 2017-12-22

**54: THERAPEUTIC ENZYME FUSION PROTEIN
HAVING NOVEL STRUCTURE AND USE
THEREOF**

00: -

The present invention relates to a fusion protein of a dimeric therapeutic enzyme and immunoglobulin Fc region, a production method therefor, and a composition comprising the same.



21: 2020/03631. 22: 2020/06/17. 43: 2021/10/08
51: B01D

71: DONALDSON COMPANY, INC.

72: MOERS, Anthonius Jan-Baptist, Maria,
CRAESSAERTS, Johnny, CATOOR, Bart

33: US 31: 62/591,169 32: 2017-11-27

**54: AIR CLEANER ASSEMBLIES AND METHODS
OF USE**

00: -

A filter cartridge for an air cleaner assembly is disclosed. The filter cartridge can include a media pack configured for installation into an air cleaner housing, the media pack extending along a longitudinal axis between opposite inlet and outlet flow ends, the media pack defining an outer perimeter. The filter cartridge can also include a circumferential shell surrounding at least a portion of the media pack outer perimeter. A radial flange extending from the circumferential shell proximate the media pack inlet end can also be provided. The flange can define a plurality of openings that are configured to receive protrusions on a housing body

of the air cleaner assembly. The interaction between the protrusions and openings operates to ensure a secure seal between the housing body and the seal member.

21: 2020/03657. 22: 2020/06/18. 43: 2021/11/29

51: H01C

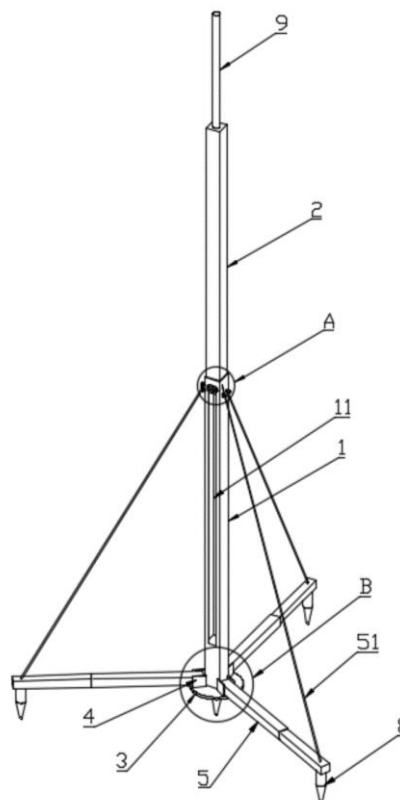
71: SUZHOU UNIVERSITY

72: Hao Li

54: LIGHTNING ARRESTER USED FOR LIGHTNING PROTECTION ON THE PLAYGROUND

00: -

The invention relates to the field of lightning protection, specifically relating to a lightning arrester used for lightning protection on the playground comprising the first hollow rod and the second telescoping rod arranged therein; on the side surface of said first hollow rod is provided with a strip-shaped square hole, at the bottom of said first hollow rod is provided with a circular bottom plate and on the side surface of the bottom of said first hollow rod is provided with positioning plates on which are hingedly connected with third telescoping rods; connecting strings are arranged on one end of said third telescoping rods that are away from positioning plates and the other end of said connecting strings is arranged on said first hollow rod on the side surface of the top of which is mounted with the first limitation poles and the second limitation poles; a groove is arranged on the side surface of bottom of said second telescoping rod and a handle is provided on the bottom of said second telescoping rod. The product of the invention has simple and reasonable structure which can conveniently and quickly move the position as required in the using process and can be folded in both the longitudinal height and the transverse width when not used, thereby occupying small space.



21: 2020/03786. 22: 2020/06/22. 43: 2021/11/09

51: C08B

71: BIOLOGICAL E LIMITED

72: VEDULA, Manohar Sarma, KOSGI, Sreedhar, MANTENA, Narender Dev, ARYASOMAYAJULA, Ratnakar

33: IN 31: 201741044415 32: 2017-12-11

54: PROCESS FOR THE PREPARATION OF LOW MOLECULAR WEIGHT HEPARIN

00: -

The present invention provides an improved process for the preparation of Enoxaparin sodium. The process is simple, commercially viable and industrially advantageous.

21: 2020/03824. 22: 2020/06/24. 43: 2021/11/09

51: A61B

71: RESPIRATORY MOTION, INC.

72: BRAYANOV, Jordan, FREEMAN, Jenny, HARVEY, Brian, QUI, Chunyuan, CHEUNG, Man Ching, IMSIROVIC, Jasmin

33: US 31: 62/599,153 32: 2017-12-15

54: DEVICES AND METHODS OF CALCULATING AND DISPLAYING CONTINUOUSLY MONITORED TIDAL BREATHING FLOW-VOLUME LOOPS (TBFVL) OBTAINED BY NON-INVASIVE

IMPEDANCE-BASED RESPIRATORY VOLUME MONITORING

00: - Methods and systems of displaying flow-volume loops of a patient and variability of the flow-volume loops across measured breaths are disclosed. The methods comprise obtaining a physiological dataset of the patient on a data acquisition device, applying a smoothing and curve fitting algorithm to the physiological dataset on a processing device to obtain real-time volume and flow data at a plurality of time instances, applying a visualization algorithm on the processing device to the volume and flow data to create a series of flow-volume loops based on the volume and flow data, and outputting a plot of the flow-volume loops on a display device to aid evaluation or diagnosis of the patient.

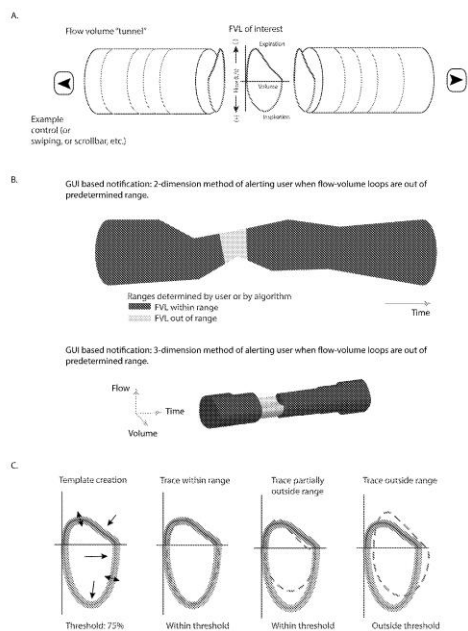
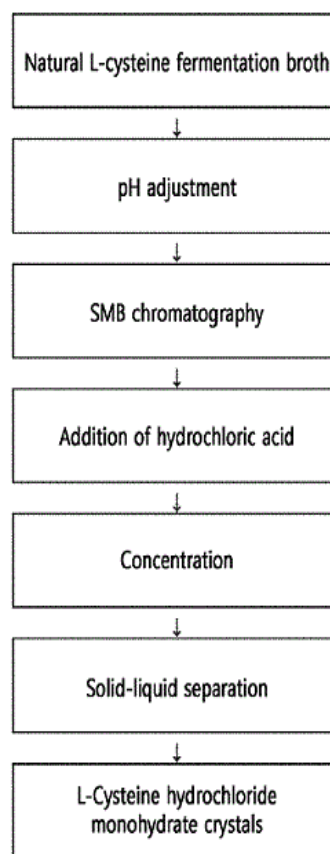


Figure 7 (A) A representation of FVL's, arranged in flow tunnel with the current FVL (and associated parameters) displayed on screen. (B). Flow volume tunnel represented in schematic form, with the yellow segment highlighting when FVL's were out of range. (C). A template can be created to help triage/sort actual FVLs for each breath.

CRYSTALS BY CONTINUOUS CHROMATOGRAPHY

00: - The present disclosure relates to a method for preparing L-cysteine hydrochloride hydrate crystals, and L-cysteine hydrochloride hydrate crystals prepared by the method. Through the method for preparing L-cysteine hydrochloride hydrate crystals of the present disclosure, L-cysteine hydrochloride hydrate crystals can be obtained from a natural L-cysteine fermentation broth with a high recovery rate and/or purity without a chemical reaction or the use of an artificial synthetic compound.



21: 2020/03880. 22: 2020/06/25. 43: 2021/11/09
 51: B02C; B66C
 71: METSO OUTOTEC FINLAND OY
 72: JÄRVENPÄÄ, Ville, VAKKURI, Hannu
 33: FI 31: 20185177 32: 2018-02-26

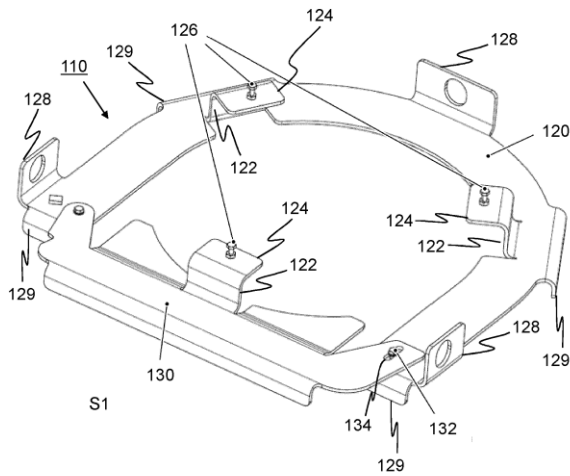
54: LIFTING TOOL FOR NUT OF INNER WEAR PART OF CONE CRUSHER

00: - A nut lifting tool (100) of an inner wear part of a cone crusher. The lifting tool (100) has a frame (110) to be

21: 2020/03861. 22: 2020/06/25. 43: 2021/10/08
 51: C07C C12P
 71: CJ CHEILJEDANG CORPORATION
 72: KIM, Jun-Woo, LEE, Jung Min, JO, Se-Hee, KIM, Il Chul, LEE, In Sung, JUNG, Jun Young
 33: KR 31: 10-2018-0012290 32: 2018-01-31
54: METHOD FOR PREPARING NATURAL L-CYSTEINE HYDROCHLORIDE HYDRATE

placed around a nut to be lifted. The frame 100 has nut lifting lugs (120) for supporting occurring from at least three sides of the center of gravity of the nut and frame suspension brackets (124) for suspending the frame from the nut before lifting the nut. The frame also has an open side (S1) for receiving a nut; lateral limiters (122), which, together with the lifting lugs (120) and the suspension brackets (124), form a nut receiving space such that the frame (110) can be slid from the open side (S1) to surround the nut; and lifting connection pieces (128) for connecting a crane to the frame (110).

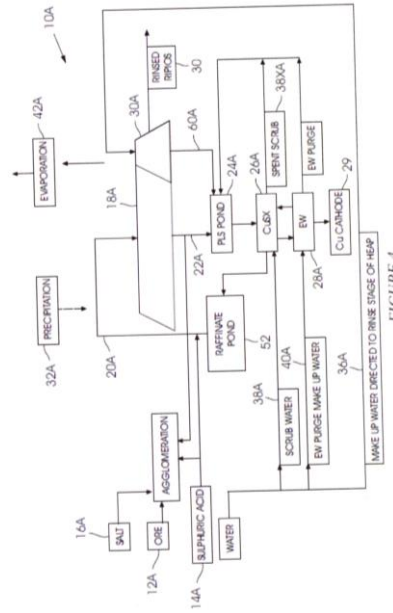
Fig. 1 100



21: 2020/03910. 22: 2020/06/26. 43: 2021/11/09
 51: C22B
 71: BHP CHILE INC
 72: BARIOS ORMEÑO, Damaso, CHIBWANA, Clement Chilowa, STRAUSS, Johannes Mattheus
 33: ZA 31: 2017/08732 32: 2017-12-21
 33: ZA 31: 2018/00346 32: 2018-01-18

54: WATER BALANCE IN A CHLORIDE HEAP LEACH

00: -
 A method of maximising the amount of water available for rinsing in a high-chloride heap leach operation which includes the step of using process make-up water in the range of 0.05 to 0.35 m³ / ton of ore to rinse leach residue ore, in the heap, thereby to displace a chloride-containing aqueous liquor from the leached ore.



21: 2020/03932. 22: 2020/06/29. 43: 2021/11/11
 51: C04B; C08L; C09D; C09K

71: BIND-X GMBH

72: Martin SPITZNAGEL, Dr. Luitpold FRIED, Saskia PAZUR, Jan-Philip MERKL, Florian HORNING

33: EP 31: 20176894.2 32: 2020-05-27

54: BIOCEMENTING MIXTURE FOR DUST CONTROL

00: -
 The present invention relates to the use of a mixture to reduce dust formation and / or erosion. The invention also relates to a method for reducing dust formation and / or erosion and a mixture suitable therefore.

21: 2020/04119. 22: 2020/07/06. 43: 2021/10/26
 51: A61K; A61P

71: EMPHYSEMA SOLUTIONS BV

72: JANSSEN, ROB

33: NL 31: 1042709 32: 2018-01-11

54: COMPOSITIONS AND METHODS FOR THE TREATMENT OF LUNG EMPHYSEMA AND OTHER FORMS OF COPD

00: -
 A composition for use in a method for the treatment of lung emphysema and other forms of COPD is provided comprising an active agent comprising a copper compound, preferably copper sulfate, and a glycosaminoglycan, preferably heparin, or a physiologically acceptable salt thereof. The

composition is preferably administered via inhalation and/or via instillation.

21: 2020/04124. 22: 2020/07/06. 43: 2021/10/26

51: H04B

71: TELEFONAKTIEBOLAGET LM ERICSSON (PUBL)

72: DA SILVA, ICARO L. J, RAMACHANDRA, PRADEEPA, MÄÄTTANEN, HELKA-LIINA

33: US 31: 62/632,292 32: 2018-02-19

54: RESOLVING AMBIGUITIES RELATED TO NR CELL QUALITY DERIVATION

00: -

Systems and methods are disclosed herein for enabling a User Equipment (UE) to perform cell quality derivation in a wireless communication network utilizing parameters from an appropriate measurement object. In some embodiments, a method of operation of a UE to perform cell quality derivation in a wireless communication network comprises obtaining parameters to perform cell quality derivation for a serving cell of the UE from a measurement object that contains frequency information that matches frequency information provided in a serving cell configuration of the serving cell. The method further comprises performing cell quality derivation for the serving cell based on the obtained parameters. In this manner, the UE is enabled to perform cell quality derivation using parameters from an appropriate measurement object.

54: INHIBITING THE TRANSIENT RECEPTOR POTENTIAL A1 ION CHANNEL

00: -

The present invention relates to pharmaceutical compounds of the Formula (I), or a pharmaceutically acceptable salt or composition thereof, and methods of their use for the treatment of pain, respiratory conditions, as well as inhibiting the Transient Receptor Potential A1 ion channel (TRPA1).

21: 2020/04152. 22: 2020/07/07. 43: 2021/10/26

51: H04N

71: TELEFONAKTIEBOLAGET LM ERICSSON (PUBL)

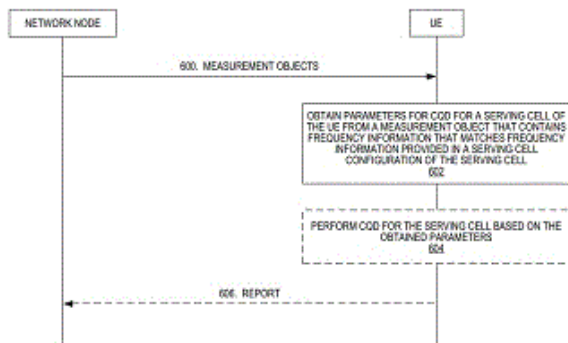
72: PHILLIPS, CHRIS, FORSMAN, ROBERT HAMMOND, COHEN, SAREL

33: US 31: 16/148,001 32: 2018-10-01

54: SYSTEM AND METHOD FOR PROVIDING QUALITY CONTROL IN 360° IMMERSIVE VIDEO DURING PAUSE

00: -

A system and method for providing quality control in 360° immersive video during pausing of a video streaming session, wherein a paused video frame may comprise a plurality of mixed quality video tiles depending on user gaze vector information. Under pause control of a video optimization node, the video quality of all tiles of the tiled video frame is equalized to a highest video quality corresponding to the quality of the tiles presented in a viewport. In one embodiment, a custom replacement video frame is generated having tiles with the same equalized video quality throughout the full 360° immersive video frame, e.g., an X-frame, is presented to the client device player for decoding and displaying instead of the mixed quality video frame while the streaming session is paused. In another embodiment, a still image based on the custom replacement video frame is provided to the client device to display instead of the mixed quality paused video frame.



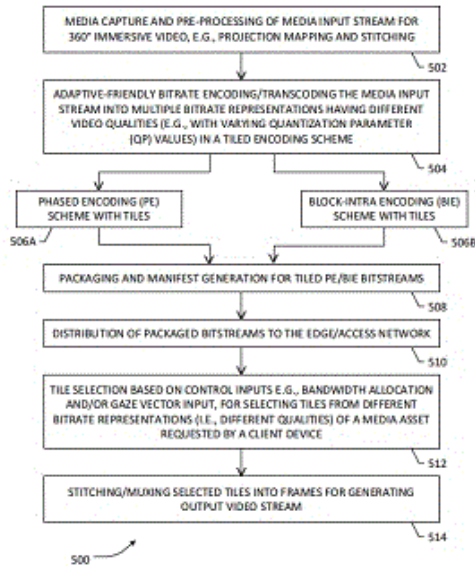
21: 2020/04147. 22: 2020/07/07. 43: 2021/10/15

51: A61K; A61P; C07D

71: Eli Lilly and Company

72: WU, Xinyuan

33: US 31: 62/624,276 32: 2018-01-31



21: 2020/04178. 22: 2020/07/08. 43: 2021/10/08
 51: C12N C12P C07K
 71: CJ CHEILJEDANG CORPORATION
 72: KIM, Hee Ju, LIM, Bo Ram, YOON, Byoung Hoon, BAEK, Min Ji, LEE, Ji Hye
 33: KR 31: 10-2018-0009632 32: 2018-01-25
54: CORYNEBACTERIUM SP. MICROORGANISM PRODUCING PURINE NUCLEOTIDE AND METHOD FOR PRODUCING PURINE NUCLEOTIDE BY USING SAME
 00: -

The present application relates to a *Corynebacterium* sp. microorganism producing a purine nucleotide and a method for producing a purine nucleotide by using the same.

21: 2020/04183. 22: 2020/07/08. 43: 2021/10/26
 51: H04W
 71: SHARP KABUSHIKI KAISHA, FG INNOVATION COMPANY LIMITED
 72: AIBA, TATSUSHI, YIN, ZHANPING
 33: US 31: 62/616,233 32: 2018-01-11
54: USER EQUIPMENTS, BASE STATIONS AND METHODS
 00: -

A user equipment (UE) is described. Receiving circuitry is configured to receive a radio resource control (RRC) message including first information used for indicating an index of a downlink bandwidth part (DL BWP) in a primary cell. Transmitting circuitry is configured to perform, based on an initiation of a random access procedure, the random access procedure. In a case that physical random

access channel (PRACH) resources are not configured for an active UL BWP in the primary cell, the random access procedure is performed on a DL BWP in the primary cell and an UL BWP in the primary cell. An index of the DL BWP being defined as "0", and an index of the UL BWP being defined as "0".

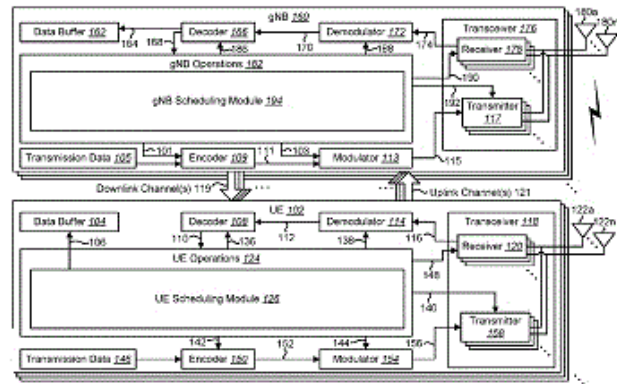
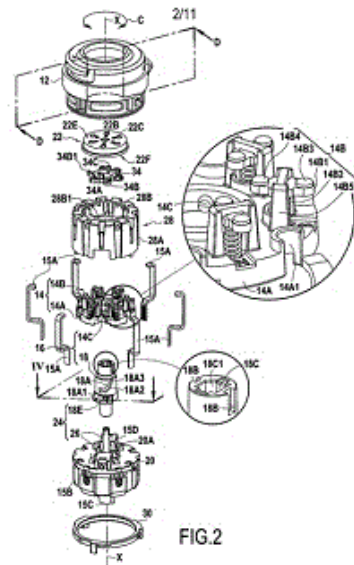
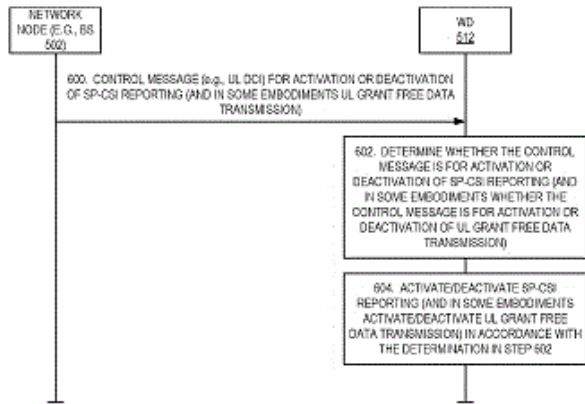


FIG. 1

21: 2020/04184. 22: 2020/07/08. 43: 2021/10/26
 51: H04L
 71: TELEFONAKTIEBOLAGET LM ERICSSON (PUBL)
 72: GAO, SHIWEI, FAXÉR, SEBASTIAN, MURUGANATHAN, SIVA
 33: US 31: 62/616,823 32: 2018-01-12
54: ACTIVATION AND DEACTIVATION OF SEMI-PERSISTENT CSI REPORTING
 00: -

Systems and methods for validating a control message for activation or deactivation of Semi-Persistent Channel State Information (SP-CSI) reporting in a wireless communication system are disclosed. In some embodiments, a method performed by a wireless device for validating a control message for activation or deactivation of SP-CSI reporting in a wireless communication system comprises receiving, from a network node, a control message for activation or deactivation of the SP-CSI reporting. The method further comprises making, based on the control message, a determination as to whether to activate the SP-CSI reporting or to deactivate the SP-CSI reporting and activating or deactivating the SP-CSI reporting in accordance with the determination. In this manner, the wireless device is enabled to distinguish between a control message activating SP-CSI reporting and a control message deactivating SP-CSI reporting.



21: 2020/04186. 22: 2020/07/08. 43: 2021/10/26
 51: H01R
 71: MARECHAL ELECTRIC
 72: PILLARD, ROMAIN, DOS SANTOS, JOHNNY, ZAGROUN, FRANCIS J
 33: FR 31: 1850261 32: 2018-01-12
54: SOCKET-OUTLET EQUIPPED WITH A DISC AND A SHUTTER

00: -
 An socket-outlet (10) comprising a fixed element (28), a disc (22) having through holes (22C) for passing the pins (54) of a plug (50), the disc (22) being rotationally movable about the axial direction (X) with respect to the fixed element (28) between a protection position and a connection position, and a shutter (34) rotationally movable about the axial direction (X) with respect to the fixed element (28) and with respect to the disc (22) between a closing position wherein the shutter (34) closes at least one hole (22C) of the disc (22) when the disc (22) is in the protection position and an open position wherein the shutter (34) opens up the at least one hole (22C) when the disc (22) is in the connection position.

21: 2020/04205. 22: 2020/07/09. 43: 2021/10/08
 51: D01F
 71: LENZING AKTIENGESELLSCHAFT
 72: KLAUS-NIETROST, Christoph, HERCHL, Richard, WEILACH, Christian
 33: EP 31: 18151697.2 32: 2018-01-15
54: METHOD FOR RECYCLING CELLULOSE-CONTAINING TEXTILE MATERIAL

00: -
 A method for recycling cellulose-containing textile material for producing regenerated cellulose molded bodies (102), wherein, in the method, the textile material is comminuted (56), at least a portion of non-fiber components of the comminuted textile material is separated (58) from fiber components of the comminuted textile material, at least a portion of non-cellulose fibers of the fiber components is mechanically separated (66) from cellulose fibers of the fiber components, at least one additional portion of the non-cellulose fibers is chemically separated (76) from the cellulose fibers, and the molded bodies (102) are produced (94) based on the cellulose fibers after the mechanical separation (66) and the chemical separation (76).

21: 2020/04206. 22: 2020/07/09. 43: 2021/10/08
 51: D01F C08J
 71: LENZING AKTIENGESELLSCHAFT
 72: KLAUS-NIETROST, Christoph, HERCHL, Richard, WEILACH, Christian, SPERGER, Christian
 33: EP 31: 18151708.7 32: 2018-01-15

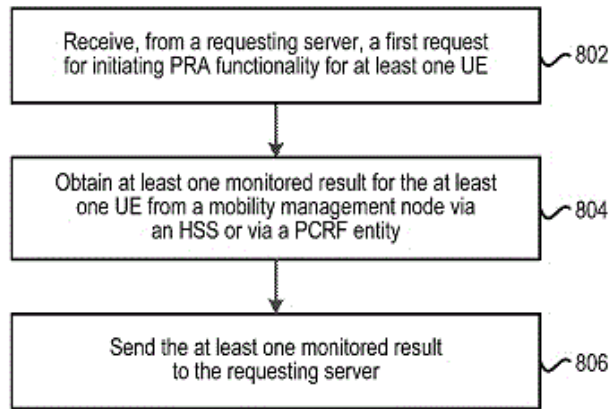
54: RECYCLING OF LYOCELL CELLULOSE FOR LYOCELL PROCESSES

00: -
 A method for producing a regenerated cellulose molded body (102), the method having the steps of: supplying (78) a starting material (110) which contains cellulose and is produced by means of a Lyocell process, said starting material being produced by the steps of dissolving (52) a cellulose source (48) in a solvent in order to produce a spinning material, extruding (54) and subsequently precipitating (56) the spinning material in a spinning bath; dissolving (68) the cellulose-containing starting material (110) in a solvent (116) in order to produce a spinning material; and extruding (70) and subsequently precipitating (72) the spinning material in a spinning bath (191), whereby the molded body (102) is obtained.

21: 2020/04216. 22: 2020/07/09. 43: 2021/10/26
 51: H04W
 71: TELEFONAKTIEBOLAGET LM ERICSSON (PUBL)
 72: QU, ZHIWEI, ZHU, JINYIN
 33: CN 31: PCT/CN2018/075618 32: 2018-02-07

54: METHODS AND APPARATUSES FOR EXPOSURE OF PRESENCE REPORTING AREA FUNCTIONALITY

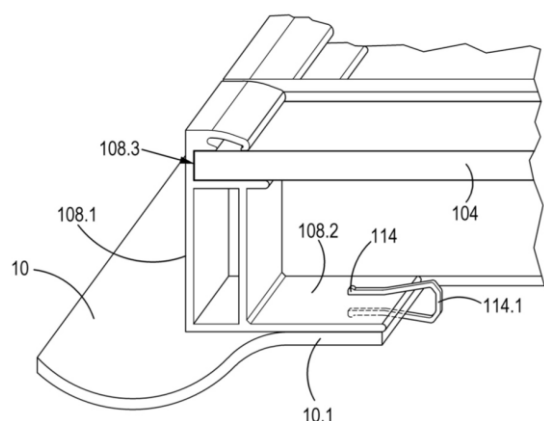
00: -
 Methods and apparatuses for exposure of presence reporting area (PRA) functionality are disclosed for a wireless communication system. According to an embodiment, a service capability exposure function (SCEF) entity receives, from a requesting server, a first request for initiating PRA functionality for at least one user equipment (UE). The PRA functionality is used to monitor whether the at least one UE is located in at least one area of interest. The SCEF entity obtains at least one monitored result for the at least one UE from a mobility management node via a home subscriber server (HSS) or via a policy and charging rules function (PCRF) entity. The SCEF entity sends the at least one monitored result to the requesting server.



21: 2020/04227. 22: 2020/07/10. 43: 2021/11/11
 51: H02S; F24S
 71: Energy Partners Solar (Pty) Ltd
 72: POTGIETER, Andries Johannes
 33: ZA 31: 2019/02241 32: 2019-04-10

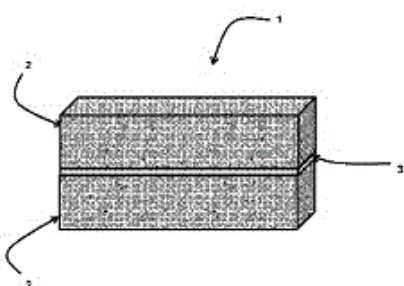
54: DRIP TRAY

00: -
 The invention relates to a photovoltaic system installation which includes drip tray attached to a photovoltaic solar panel to prevent moisture accumulated on the surface of the solar panel from dripping onto the metal roof sheeting below, which may cause concentrated rust spots. The drip tray is attached to at least one side of the surrounding frame of the solar panel. The drip tray is in the form of an elongate member having a planar face attachable to the underside of the frame and a catchment area extending away from the planar face, such that the catchment area extends outwardly from the frame allowing liquid to drip over and edge of the surrounding frame into the catchment area.



21: 2020/04241. 22: 2020/07/10. 43: 2021/10/26
 51: A61L; B32B; C08J; A61F
 71: POLYNOVO BIOMATERIALS PTY LIMITED
 72: MOORE, TIMOTHY GRAEME
 33: AU 31: 2017905177 32: 2017-12-22
54: TISSUE REPAIR LAMINATES

00: -
 There are provided tissue repair laminates containing at least two biodegradable polyurethane foam layers and a polyurethane structural layer. The biodegradable polyurethane is derived from biodegradable polyols. The laminates resist shrinkage under in vivo conditions and possess desirable mechanical properties such as high tensile strength. The laminates find use in, for example, the repair of tissue or muscle wall defects.



21: 2020/04243. 22: 2020/07/10. 43: 2021/10/26
 51: A01N
 71: GREENING BE GONE, LLC
 72: EVELAND, WINSOR GEBHARD, BROWN, KENNETH EARL
 33: US 31: 62/620,646 32: 2018-01-23
 33: US 31: 16/250,332 32: 2019-01-17
54: METHOD OF TREATING CITRUS GREENING
 00: -

A composition that contains at least citrus oil, pine oil, and salt water is effective in mitigating or eliminating a detrimental microbial, in one example, a gram-negative bacteria disease in plants. This mixture is effective against citrus greening and other gram-negative bacteria diseases. A mixture containing at least the foregoing components can be used as a root and/or a foliar treatment by diluting a concentrated mixture of the composition and spraying it on the leaves of a diseased plant or one that is prone to disease. Similarly, the combined composition can be used as a root drench or in an irrigation system to treat a diseased plant. Additional active components in a composition as disclosed herein may optionally include a surfactant (especially in a foliar application) and a growth stimulant (especially in a root drench or irrigation application).

21: 2020/04250. 22: 2020/07/10. 43: 2021/10/15
 51: A47J

71: Société des Produits Nestlé S.A.
 72: ROMAND, Damien, CROZIER, Etienne, MAGATTI, Marco
 33: EP(CH) 31: 17210543.9 32: 2017-12-22
54: EXCHANGEABLE CARTRIDGE FOR BEVERAGE PORTION DISPENSER

00: -
 Exchangeable cartridge (3) for portion dispenser (1) arranged for storing and dispensing beverage items (8) for the preparation of beverages comprising: an elongated hollowed storage member (7) comprising an interior for accommodating a plurality of beverage items (8), comprising a closed end (9) and an open end (10) comprising an exit opening (11), a closure cap (14) adapted to connect in a removable manner to the elongated hollowed storage member (7) at the open end of the storage member (7) and to be sealed through a removable complementary connection (15) of the storage member (7) and closure cap (14), wherein the closure cap (14) comprises a locking member (26), or respectively keying member, being arranged for complementarily fitting with a keying member (25), or respectively a locking member, of the portion dispenser (1) and for allowing the closure cap (14) to be removed from the elongated hollowed member (7) and to be re-connected to the elongated hollowed member (7).

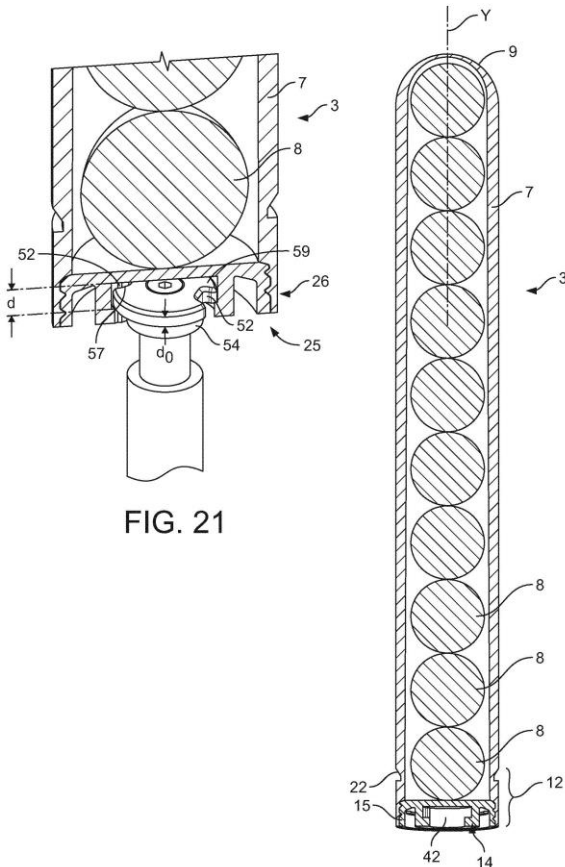
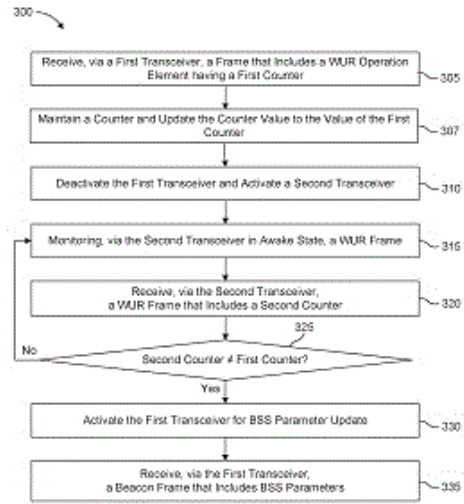


FIG. 21

FIG. 22

21: 2020/04260. 22: 2020/07/10. 43: 2021/10/26
 51: H04W
 71: INTERDIGITAL PATENT HOLDINGS, INC.
 72: WANG, XIAOFEI, LOU, HANQING, LEVY, JOSEPH S
 33: US 31: 62/691,799 32: 2018-06-29
 33: US 31: 62/616,977 32: 2018-01-12
54: METHOD FOR EFFICIENT REDISCOVERY AND MEDIUM ACCESS FOR WAKE-UP RADIOS
 00: -
 Methods and apparatuses are described herein for rediscovery and medium access for wake-up radios. For example, a wireless transmit receive unit (WTRU) may receive, via a first transceiver, a frame that includes a wake-up radio (WUR) operation element having a first counter value. The WTRU may deactivate the first transceiver and activate a second transceiver, wherein the first transceiver enters into a doze state and the second transceiver is in an awake state. The WTRU may then receive, via the second transceiver in the awake state, a WUR frame that includes a second counter value

indicating an update of a plurality of basic server set (BSS) parameters associated with the first transceiver. On a condition that the second counter value is different than the first counter value, the WTRU may activate the first transceiver to update the plurality of BSS parameters, wherein the first transceiver enters into an awake state.



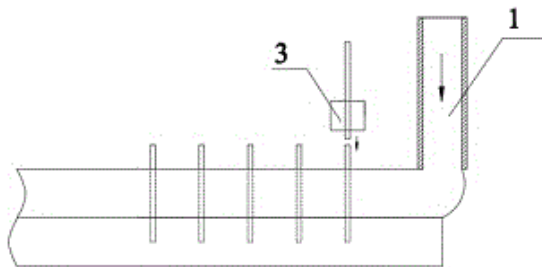
21: 2020/04288. 22: 2020/07/13. 43: 2021/10/26
 51: C09K; F25B
 71: DAIKIN INDUSTRIES, LTD.
 72: ITANO, MITSUSHI, KARUBE, DAISUKE, YOTSUMOTO, YUUKI, TAKAHASHI, KAZUHIRO, OHKUBO, SHUN
 33: JP 31: 2017-242185 32: 2017-12-18
54: COMPOSITION CONTAINING REFRIGERANT, USE OF SAID COMPOSITION, REFRIGERATOR HAVING SAID COMPOSITION, AND METHOD FOR OPERATING SAID REFRIGERATOR
 00: -

The present invention addresses the problem of providing a mixed refrigerant combining: a refrigeration capacity (also referred to as cooling capacity) and coefficient of performance (COP) equivalent to those of R410A; and a sufficiently low GWP. To resolve the problem, a composition containing a refrigerant is provided, wherein the refrigerant includes trans-1,2-difluoroethylene (HFO-1132(E)), trifluoroethylene (HFO-1123), 2,3,3,3-tetrafluoro-1-propene (R1234yf), and R32.

21: 2020/04325. 22: 2020/07/14. 43: 2021/10/26
 51: B28B; B33Y

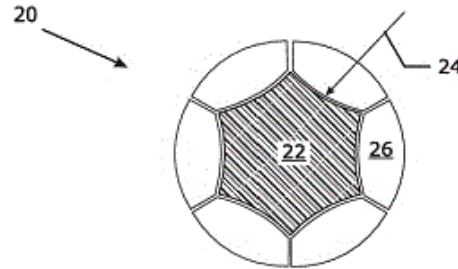
71: CHINA BUILDING MATERIALS ACADEMY
 72: WANG, ZHENDI, WANG, LING, ZHAO, XIA
 33: CN 31: 201811497996.6 32: 2018-12-07
54: 3D PRINTING-BASED BUILDING STRUCTURE MANUFACTURING DEVICE AND METHOD

00: -
 A 3D printing-based building structure manufacturing device. Said device comprises a 3D printing apparatus (1) and a reinforcement apparatus; the 3D printing apparatus has a storage cavity (11) and a print head (12) connected to the storage cavity (11) and movable relative to a base frame; the reinforcement apparatus is provided movably relative to the base frame, and has a driving mechanism (3) for driving short reinforcing bars or short ribs to perform an insertion movement in a direction intersecting with the direction of stacking of cement-based slurry layers, the driving mechanism (3) inserting the short reinforcing bars or short ribs into interfaces at least crossing two adjacent cement-based slurry layers printed by the 3D printing apparatus (1). Further provided is a 3D printing-based building structure manufacturing method. There is no printing gap between the cement-based slurry layers printed by said device and the reinforcing bars inserted, ensuring tight connection between the cementitious slurry and the reinforcing bars, improving the mechanical performance and toughness of interfaces between the 3D-printed cement-based material layers.



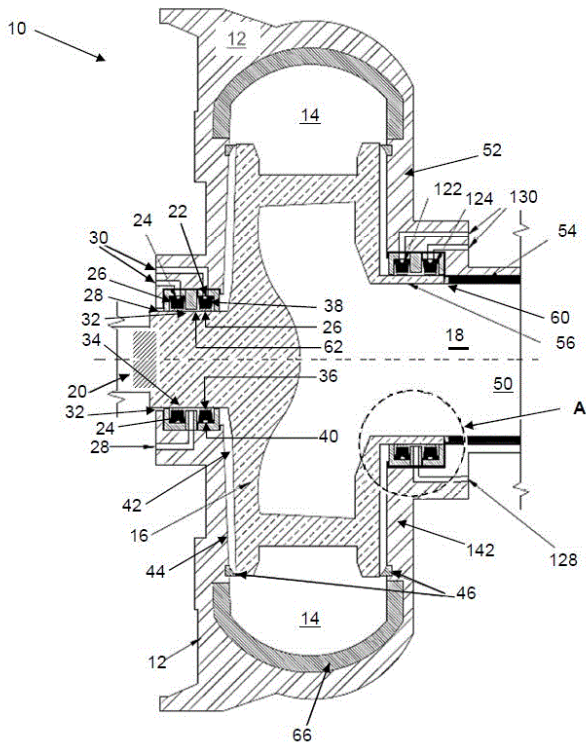
21: 2020/04355. 22: 2020/07/15. 43: 2021/10/26
 51: D07B
 71: BRIDON INTERNATIONAL LIMITED
 72: HUNTER, TIMOTHY, WANG, PENGZHU
 33: EP 31: 18250009.0 32: 2018-03-06
54: SYNTHETIC ROPE
 00: -
 A synthetic rope (20) comprises a core (22) and at least a first layer surrounding the core (22). The first

layer has first layer strands (26). The core has a fluted outer surface with spaced apart helical concave grooves. Each of these grooves contacts one of the first layer strands (26). The grooves have a radius of curvature (24) that is greater than the radius of curvature (14) of a circle having a same diameter as the contacting first layer strand before twisting.



21: 2020/04372. 22: 2020/07/16. 43: 2021/11/19
 51: F04D
 71: Boyce Barrow
 72: Boyce Barrow
 33: AU 31: 2017905113 32: 2017-12-21
54: CENTRIFUGAL PUMP ASSEMBLY AND IMPELLER

00: -
 In centrifugal pumps and, in particular, pumps for transferring fluids containing abrasive particles such as slurry pumps, wear of wetted areas is a major maintenance issue. The invention provides for the protection of internal surfaces vulnerable to wear from such particles by providing means for adjusting and controlling distribution of gland fluid for flushing vulnerable areas. The invention extends to a method and a retrofit kit, but provides primarily for a centrifugal pump assembly comprising an impeller rotatably mounted therein and support means operatively arranged for supporting the impeller from its suction side in sealing relationship with the housing. The sealing means may be mechanically adjustable for substantially even distribution of gland fluid to both axial sides of the impeller in the pump housing.

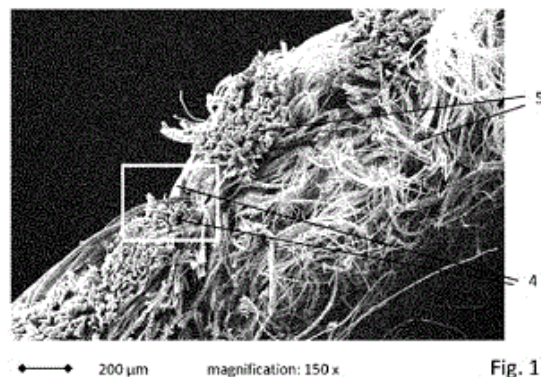


21: 2020/04379. 22: 2020/07/16. 43: 2021/10/26
 51: A61K; A61P; C07K
 71: BICYCLETX LIMITED
 72: CHEN, LIUHONG, HUXLEY, PHILIP, PAVAN, SILVIA, VAN RIETSCHOTEN, KATERINE
 33: GB 31: 1721259.8 32: 2017-12-19
 33: GB 31: 1818603.1 32: 2018-11-14
 33: GB 31: 1804102.0 32: 2018-03-14
54: BICYCLIC PEPTIDE LIGANDS SPECIFIC FOR EPHA2

00: -
 The present invention relates to polypeptides which are covalently bound to non-aromatic molecular scaffolds such that two or more peptide loops are subtended between attachment points to the scaffold. In particular, the invention describes peptides which are high affinity binders of the Eph receptor tyrosine kinase A2 (EphA2). The invention also includes drug conjugates comprising said peptides, conjugated to one or more effector and/or functional groups, to pharmaceutical compositions comprising said peptide ligands and drug conjugates and to the use of said peptide ligands and drug conjugates in preventing, suppressing or treating a disease or disorder characterised by overexpression of EphA2 in diseased tissue (such as a tumour).

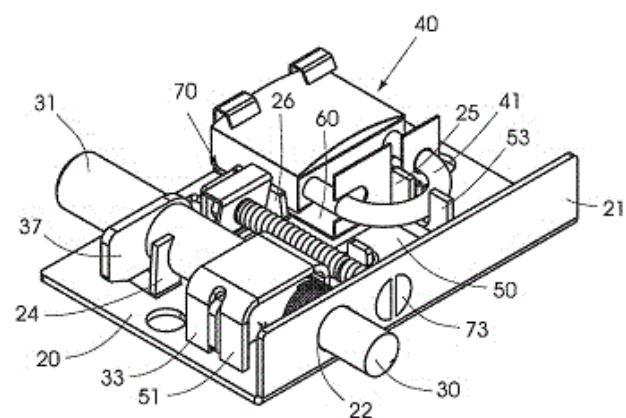
21: 2020/04380. 22: 2020/07/16. 43: 2021/10/26
 51: D06M; A47K; A61K; A61F; D04B; D04H
 71: FILAG MEDICAL SCHWEIZ AG
 72: LEHMANN, MARKUS
 33: US 31: 62/615,247 32: 2018-01-09
54: SKIN CARE FABRIC

00: -
 A skin care fabric for medical, pharmaceutical or cosmetic use includes at least 80% by weight of microfibers whose fibers have a diameter of less than 50 microns and are a mixture of polyamide and polyester, wherein the fabric has been subjected to a splitting process by a alkaline solution treatment, splitting each microfiber producing fine fibers closely packed in a parallel structure having a capillary effect and an abrasive effect. The fabric has a surface weight of less than 180 g/m² and is loaded with medical, pharmaceutical or cosmetic active agents. The fabric is a warp-knitted fabric having a first surface on one opposite side and a second surface on the other opposite side, wherein the first surface is mechanically roughened and cut making it fluffy and yet short-haired compact in order to leave as few loose fibers as possible on the skin during use and resulting in a further surface enlargement of the fabric structure, having a water absorbency of at least four times the surface weight of the fabric.



21: 2020/04384. 22: 2020/07/16. 43: 2021/10/26
 51: E05B; E05C
 71: ULTRAFAB (PROPRIETARY) LIMITED
 72: VAN NIEKERK, HENDRIK JOHANNES
 33: GB 31: 1809117.3 32: 2018-06-04
54: SECURITY LOCK

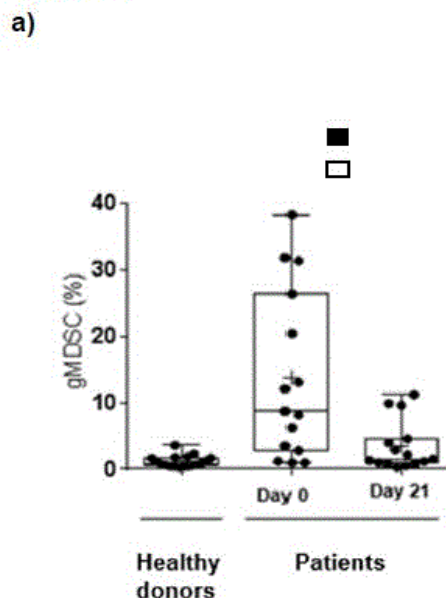
This invention concerns a security lock (10) for use with a lock unit (40). The security lock (10) has a base (20), a casing (11) in which the base (20) is, in use, received, an elongate locking bolt (30), biasing means (32) for urging the locking bolt (30) towards its inoperative position, an externally accessible operating member (31) for moving the locking bolt (30) and a locking mechanism (50) which is used to lock the bolt (30) in its operative position. A securing mechanism (70) is operable between a locked state in which the base (20) and casing (11) are locked to each other and a released state in which the base (20) and casing (11) are released from each other. A securing element (72) is held captive such that it remains in position irrespective of whether the securing mechanism (70) is in its locked or released state.



21: 2020/04529. 22: 2020/07/22. 43: 2021/10/08
 51: A61K A61P
 71: CENTRO DE INMUNOLOGÍA MOLECULAR
 72: MESA PARDILLO, Circe, OLIVER RÍOS, Liliana, ALVAREZ ARZOLA, Rydell, PEÑA SÁNCHEZ, Vladimir, FERNÁNDEZ MOLINA, Luis Enrique, VALDÉS ZAYAS, Anet, RÁBADE CHEDIAK, Maura Lisett, AGUIAR GARCÍA, Lena, HERNÁNDEZ DE LA ROSA, Lourdes, FERNÁNDEZ GÓMEZ, Audry, PÉREZ RUÍZ, Leslie, RODRÍGUEZ RODRÍGUEZ, Camilo, GRACIA MEDINA, Elias Antonio, RUBIO HERNÁNDEZ, Maria Caridad, VALDÉS GUERRERO, Orlando, CURBELO HAREDIA, Idelmis
 33: CU 31: 2017-0173 32: 2017-12-27
54: GANGLIOSIDE GM3-CONTAINING NANOPARTICLES AS IMMUNOMODULATORS
 00: -

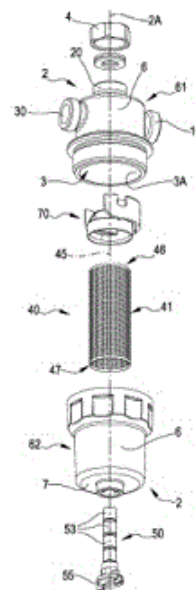
The present invention relates to a pharmaceutical composition with an active principle that includes membrane vesicle conjugates of Neisseria meningitidis and the GM3 ganglioside in a conjugation proportion with a protein excess, with special features regarding the size, surface charge and morphology associated with nanoparticle systems that confer advantageous properties as an immunomodulator, since it induces a convenient and significant reduction of myeloid-derived suppressor cells, with an impact on lymphocyte T response and the survival of tumour patients. The invention further relates to the use of the disclosed pharmaceutical composition for the treatment of cancer, in particular those types of cancer with an increase of myeloid-derived suppressor cells (MDSC); and to a method for treating cancer patients with this composition and to a method for selecting the patients receiving this treatment.

FIGURE 4



21: 2020/04550. 22: 2020/07/22. 43: 2021/10/26
 51: B01D
 71: I.V.A.R. S.P.A.
 72: BERTOLOTTI, MR. UMBERTO
 33: IT 31: 102018000002685 32: 2018-02-14
54: DEVICE AND METHOD FOR FILTERING A FLUID CIRCULATING IN A PLUMBING AND HEATING SYSTEM
 00: -

The present invention relates to a device (1) for filtering a fluid circulating in a plumbing and heating system, said device comprising a body (2) which defines therewithin a filtration chamber (3) that is intended to have a fluid to be subjected to filtration pass through it. The body is provided with a first inlet/outlet opening (10), a second inlet/outlet opening (20) and a third inlet/outlet opening (30): each one of them sets the filtration chamber (3) in communication with the outside of the device and is associable with a line of the system so as to receive therefrom, or to send thereto, fluid entering, or exiting from, said body of the device. The device operates a passage of fluid through the filtration chamber (3), in a selective manner according to a plurality of operative configurations, from one opening among said first inlet/outlet opening (10), second inlet/outlet opening (20) and third inlet/outlet opening (30) to another opening among said first inlet/outlet opening (10), second inlet/outlet opening (20) and third inlet/outlet opening (30). The device further comprises: filtering members (40) that are housed inside the filtration chamber (3) and operatively interposed between the inlet/outlet openings to carry out filtering of the fluid passing through the filtration chamber; a flow-directing insert (70) that is housed inside the filtration chamber (3) and configured to channel the fluid passing through the filtration chamber, in each one of the operative configurations, so that the fluid passes at least partially through the filtering members (40).



21: 2020/04551. 22: 2020/07/22. 43: 2021/10/26

51: C07D; A61P; A61K

71: RAPT THERAPEUTICS, INC.

72: JACKSON, JEFFREY J, KETCHAM, JOHN MICHAEL, OKANO, AKINORI, REILLY, MAUREEN KAY, ROBLES-RESENDIZ, OMAR, SCHWARZ, JACOB BRADLEY, TIVITMAHAISOON, PARCHAREE, WUSTROW, DAVID JUERGEN, YOUNAI, ASHKAAN, ZIBINSKY, MIKHAIL

33: US 31: 62/622,771 32: 2018-01-26

33: US 31: 62/772,027 32: 2018-11-27

33: US 31: 62/784,161 32: 2018-12-21

54: CHEMOKINE RECEPTOR MODULATORS AND USES THEREOF

00: -

Disclosed herein, inter alia, are compounds and methods of use thereof for the modulation of certain chemokine receptor activity.

21: 2020/04553. 22: 2020/07/22. 43: 2021/10/26

51: A01M; B05B

71: INSTITUT NATIONAL DE RECHERCHE POUR L'AGRICULTURE, L'ALIMENTATION ET L'ENVIRONNEMENT

72: DE RUDNICKI, VINCENT, BONICEL, JEAN-FRANÇOIS, CHERFAN, RAPHAËL

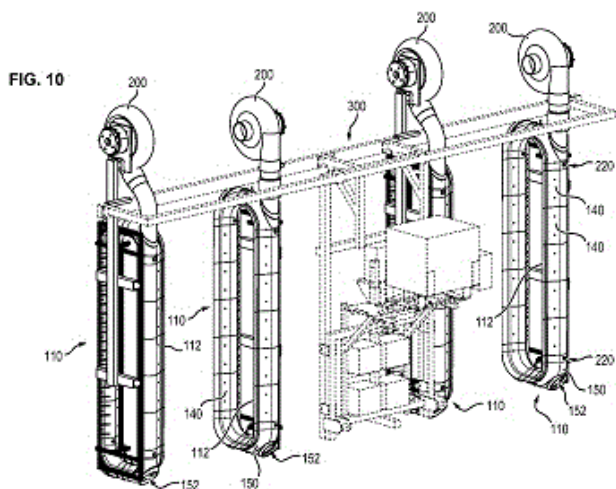
33: FR 31: 1763165 32: 2017-12-22

54: SYSTEM AND METHOD FOR SPRAYING A PRODUCT, NOTABLY A PLANT-PROTECTION PRODUCT

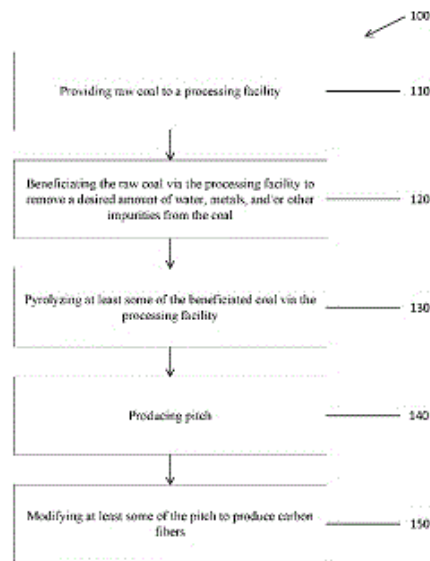
00: -

The present invention relates to a system for spraying a product, notably a plant-protection

product, comprising product spray nozzles (10) and airflow generating means (110), characterized in that the airflow generating means comprise an outlet (112) in the form of an annular slit designed to generate an airflow (102) in the form of a continuous tubular curtain of air enclosing the jets (12) emanating from the spray nozzles (10) and that the sprayed product cannot cross.



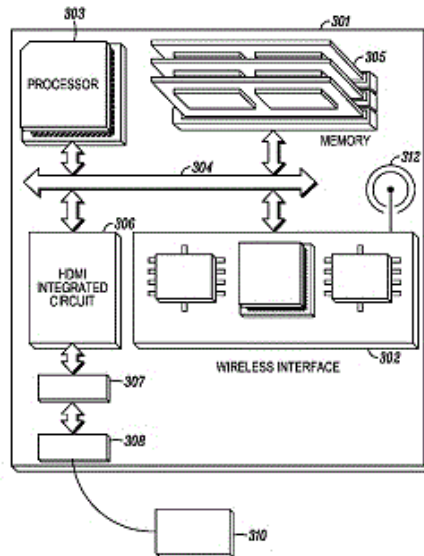
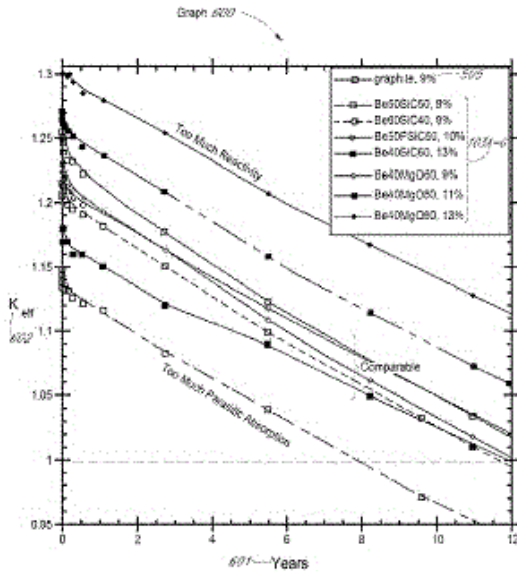
21: 2020/04554. 22: 2020/07/22. 43: 2021/10/26
 51: C10C; C04B; D01F
 71: CARBON HOLDINGS INTELLECTUAL PROPERTIES, LLC
 72: ATKINS, CHARLES, LINDEMANN, GARRETT, TARGETT, MATTHEW
 33: US 31: 62/610,037 32: 2017-12-22
54: METHODS FOR PRODUCING CARBON FIBERS, RESINS, GRAPHENE, AND OTHER ADVANCED CARBON MATERIALS FROM COAL
 00: -
 A method of producing advanced carbon materials can include providing coal to a processing facility, beneficiating the coal to remove impurities from the coal, processing the beneficiated coal to produce a pitch, and treating the pitch to produce an advanced carbon material such as carbon fibers, carbon nanotubes, graphene, carbon fibers, polymers, biomaterials, or other carbon materials.



21: 2020/04578. 22: 2020/07/23. 43: 2021/10/26
 51: G21C

71: ULTRA SAFE NUCLEAR CORPORATION
 72: VENNERI, FRANCESCO, VENNERI, PAOLO FRANCESCO, SNEAD, LANCE LEWIS
 33: US 31: 62/619,925 32: 2018-01-22
 33: US 31: 16/254,019 32: 2019-01-22
54: COMPOSITE MODERATOR FOR NUCLEAR REACTOR SYSTEMS

00: -
 A composite moderator medium for nuclear reactor systems and a method of fabricating a composite moderator block formed of the composite moderator medium. The composite moderator medium includes two or more moderators, such as a low moderating material and a high moderating material. The high moderating material has a higher neutron slowing down power compared to the low moderating material. The low moderating material includes a moderating matrix of silicon carbide or magnesium oxide. The high moderating material is dispersed within the moderating matrix and includes beryllium, boron, or a compound thereof. The high moderating material is encapsulated within the low moderating material such that the high moderating material is not exposed outside of the low moderating material. The method can include selecting a sintering aid and a weight percent of the sintering aid in a composite moderator mixture based on the low moderating material and spark plasma sintering.



21: 2020/04580. 22: 2020/07/23. 43: 2021/10/26
51: H04N

71: ARRIS ENTERPRISES LLC

72: ZEIDLER, DAVID E

33: US 31: 15/889,465 32: 2018-02-06

54: REDUCING WIRELESS INTERFERENCE FROM A WIRED DIGITAL INTERFACE

00: -

Circuits and systems may be operable to provide improved wireless networking performance in the presence of a high speed wired interface. Filter circuits may be applied to wired interface leads to suppress frequency content that may interfere with wireless home networking. High speed digital wired interface systems on a chip may similarly be altered to suppress interfering frequency content before it leaves the chip. Systems with reduced radiated energy from wired interface circuits in frequencies of interest to wireless networking have improved wireless range and throughput characteristics.

21: 2020/04602. 22: 2020/07/24. 43: 2021/10/26
51: A61K; A61P

71: AELIS FARMA, INSERM (INSTITUT NATIONAL DE LA SANTÉ ET DE LA RECHERCHE MÉDICALE), UNIVERSITE DE BORDEAUX

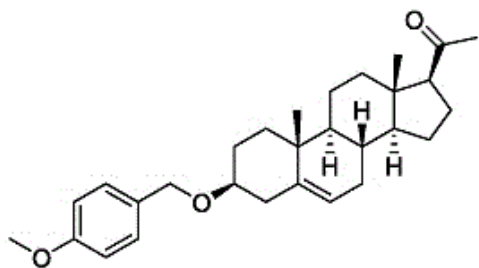
72: PIAZZA, PIER VINCENZO, FABRE, SANDY, METNA, MATHILDE, MONLEZUN, STÉPHANIE, BUSQUET-GARCIA, ARNAU, COTA, DANIELA, MARSICANO, GIOVANNI, REVEST, JEAN-MICHEL, VALLÉE, MONIQUE

33: EP 31: 18305177.0 32: 2018-02-20

54: 3BETA-(4-METHOXYBENZYLOXY)PREGN-5-EN-20-ONE FOR USE IN THE TREATMENT OF CANNABINOIDS-RELATED DISORDERS

00: -

The present invention generally relates to a specific pregnenolone derivative for its use for the treatment of a Cannabinoids-Related Disorder. More particularly, the invention relates to a compound of Formula (I), for its use in the treatment of a Cannabinoids-Related Disorder. Indeed, the compound of the invention is in vivo very potent in inhibiting the effects of THC, and is able to inhibit both unconditioned and conditioned effects of THC including THC self-administration and reinstatement in THC seeking in non-human primates.



(I)

21: 2020/04606. 22: 2020/07/24. 43: 2021/10/26
51: A61K

71: GLENMARK SPECIALTY S.A.

72: KHAIRATKAR-JOSHI, NEELIMA, KULKARNI, ABHAY, WALE, DINESH PRADEEP, BHOSALE, VIKRAM M, AGARWAL, PIYUSH, KEOHANE, PATRICK, TANTRY, SUDEESH K, OH, CHAD

33: US 31: 15/903,597 32: 2018-02-23

54: TREATMENT OF ALLERGIC RHINITIS IN PEDIATRIC SUBJECTS USING A COMBINATION OF MOMETASONE AND OLOPATADINE

00: -

The present invention relates to a method of treating allergic rhinitis in a pediatric subject in need thereof comprising nasally administering to the subject an effective amount of a fixed-dose pharmaceutical composition comprising mometasone or its salt and olopatadine or its salt.

21: 2020/04608. 22: 2020/07/24. 43: 2021/10/26
51: G01R

71: DEHN SE + CO KG

72: EHRLER, JENS, ZAHLMANN, PETER, BROCKE, RALPH

33: DE 31: 10 2018 104 462.3 32: 2018-02-27

54: METHOD FOR EVALUATING THE STATE AND THE QUALITY OF LOW-VOLTAGE NETWORKS

00: -

The invention relates to a method for evaluating the state and the quality of low-voltage networks, in the branched system of which there is a plurality of connected loads, by determining network measurement data by means of power quality measuring and testing devices and transferring the network measurement data, by means of a standard interface, to a control system or in retrievable form to a server. According to the invention, the overvoltage protection devices, which are or can be used in the low-voltage system and have a self-diagnosis unit and an existing wireless or wired standard interface

for data transfer, are able to determine network measurement data by means of integrated or adapted power quality measuring and testing devices.

21: 2020/04619. 22: 2020/07/27. 43: 2021/10/26
51: A61K; A61P

71: LUBRIS LLC

72: JAY, GREGORY D, SULLIVAN, BENJAMIN D, SCHMIDT, TANNIN AVERY, ELSAID, KHALED, TRUITT, EDWARD R, KRAWETZ, ROMAN, SZMYDYNGER-CHODOBSKA, JOANNA, CHODOBSKI, ADAM, FAREED, JAWED

33: US 31: 62/107,799 32: 2015-01-26

33: US 31: 62/273,059 32: 2015-12-30

54: USE OF PRG4 AS AN ANTI-INFLAMMATORY AGENT

00: -

Disclosed herein are methods of using PRG4 glycoprotein, also known as lubricin, to reduce, inhibit, or down-regulate pro-inflammatory pathways in patients at risk of or suffering from an inflammatory response or allergy symptom through CD44 antagonization, regulating pro-inflammatory cytokine production, inhibiting NF- κ B translocation and/or facilitating removal of inflammation-inducing cellular or matrix debris or allergens.

21: 2020/04626. 22: 2020/07/27. 43: 2021/10/06
51: G01N

71: GOLDWAY TECHNOLOGY LIMITED

72: CHENG, Ka Wing, WONG, Kin Wing, CHAN, Kong, CHENG, Juan, TANG, Wing Chi, HUI, Koon Chung

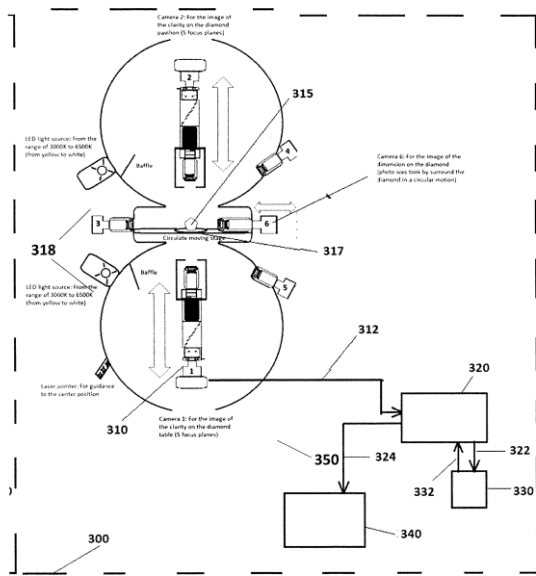
33: HK 31: 17113980.6 32: 2017-12-29

54: DIAMOND CLARITY MEASUREMENT PROCESS AND SYSTEM

00: -

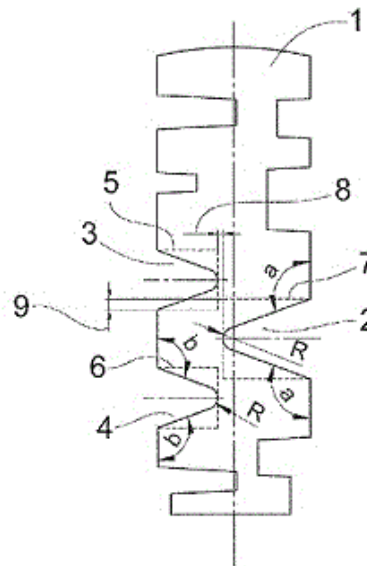
A process operable using a computerized system (300) for grading the clarity of a diamond (315, 400) as a function of internal defects within the body of the diamond (315, 400), the computerized system (300) including an optical image acquisition device (310), a processor module (320) and an output module (340) operably interconnected together, said process including the steps of (i) acquiring via an optical image acquisition device (310) a plurality of top view images of a diamond (315, 400) with different focus depths corrected with the refractive index of the diamond (315, 400) wherein the focal

depths are determined by the height of the diamond (315, 400) and the plurality of top view images are acquired in an environment having a predetermined constant light level, and wherein the top view is defined as a view normal to the table (410) of the diamond (315, 400) and the height of the diamond (315, 400) is defined as the length of a central axis normal to the table (410) of the diamond (315, 400) and passing through the apex of the pavilion of the diamond (315, 400); (ii) in a processor module (320), detecting defects within the body of the diamond (315, 400), wherein the defect is detected from contrasted changes in pixel brightness levels in comparison with adjacent pixel in each acquired image of said plurality of top view images; applying a penalty score to each detected defect as a function of the geometry, size and location of the defect within the body of the diamond (315, 400); and assigning a clarity grade based upon a function of the penalty scores; and (iii) from an output module (340), providing a signal indicative of the clarity grade assigned in (ii).



21: 2020/04636. 22: 2020/07/27. 43: 2021/10/26
 51: E05B
 71: ASSA ABLOY SICHERHEITSTECHNIK GMBH
 72: MATSCHKE, STEFFEN
 33: EP 31: 18197124.3 32: 2018-09-27
 33: DE 31: 10 2018 101 438.4 32: 2018-01-23
54: FLAT KEY PROFILE FOR A LOCK-KEY SYSTEM

00: -
 The invention relates to a flat key profile for a lock-key system in which a keyway corresponding to the key profile is provided in the lock cylinder. Here, the key profile of the key shank has an upper profile portion facing the key spine and a lower profile portion facing the key breast, wherein a triangular paracentric profile groove (2) projecting beyond the centre plane of the key shank is provided in the lower profile portion in the one lateral surface of the key shank, a triangular profile groove (3; 4) arranged one above or one below the opposite paracentric profile groove (2) is provided on the opposite lateral surface of the key shank, and the arrangement of the paracentric profile groove in relation to the opposite profile grooves is such that an imaginary line (7), which runs perpendicularly to the key shank plane from the point of intersection of the upper or lower leg of the paracentric profile groove with the key lateral surface to the opposite profile groove, has a vertical spacing (9) from an imaginary line (5) which extends from the point of intersection of the upper or lower leg of the opposite profile groove with the key lateral surface to the paracentric profile groove.



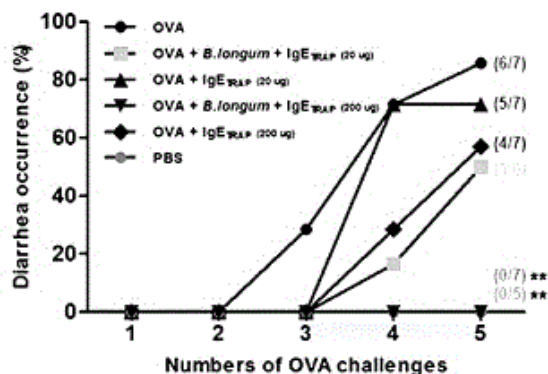
21: 2020/04723. 22: 2020/07/30. 43: 2021/10/26
 51: A61K; A61P
 71: GI INNOVATION, INC.
 72: JANG, MYOUNG HO, SUNG, YOUNG CHUL, YANG, ZUNGYOON
 33: KR 31: 10-2018-0004421 32: 2018-01-12

54: COMPOSITION COMPRISING PROBIOTICS AND POLYPEPTIDE HAVING BINDING AFFINITY FOR IGE AND USE THEREOF

00: -

The present invention relates to a composition comprising probiotics and a polypeptide having binding affinity for IgE as effective ingredients. Particularly, when probiotics and a recombinant protein comprising an extracellular domain of the alpha subunit of IgE Fc receptor were administered in combination, a synergic effect of remarkably reducing food allergy was observed. Therefore, the composition can provide a remarkable therapeutic effect on IgE-mediated allergy disorder, compared to conventional pharmaceutical composition, and thus is expected to find high industrial applicability.

FIG. 19B



21: 2020/04724. 22: 2020/07/30. 43: 2021/10/26

51: C07D; A61K; A61P

71: JIANGSU HENGRUI MEDICINE CO., LTD.

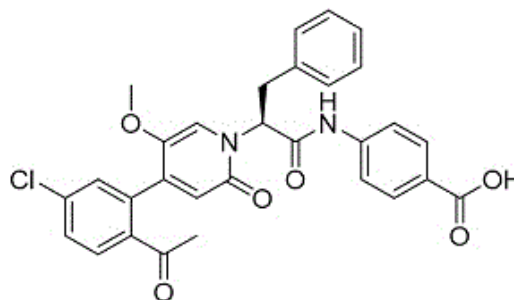
72: YANG, JUNRAN, WANG, LIN, SHAO, QIYUN, DU, ZHENXING, WANG, LIKUN

33: CN 31: 201810163529.3 32: 2018-02-27

54: CRYSTAL FORM OF OXOPICOLINAMIDE DERIVATIVE AND PREPARATION METHOD THEREFOR

00: -

Provided are a crystal form of an oxopicolinamide derivative and a preparation method therefor. In particular, provided are crystal forms A, B, C, D, E, and F of a compound as shown in formula (I) and a preparation method therefor. Crystal forms A, B, C, D, E, and F of the compound of formula (I) obtained in the present disclosure have good crystal stability and chemical stability, and can be better used in clinical treatment.



(I)

21: 2020/04726. 22: 2020/07/30. 43: 2021/10/26

51: F16K; F01C; F01L; G01N

71: TALIS BIOMEDICAL CORPORATION

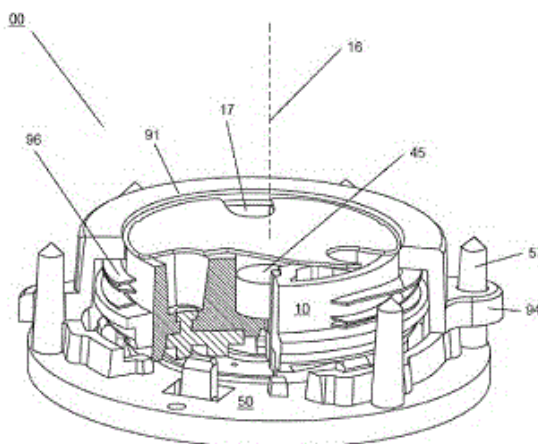
72: ANDESHMAND, SAYEED, CAULEY, THOMAS H. III, DIXON, JOHN

33: US 31: 15/898,064 32: 2018-02-15

54: ROTARY VALVE

00: -

Rotary valves and methods of using, manufacturing, and storing the same are provided herein. The rotary valve includes a rotor and a stator, biased toward one another to form a fluid tight seal. In some implementations, the rotor comprises an integrated flow channel containing a porous solid support. Frequently, the interface between rotor and stator is made fluid-tight using a gasket. Some implementations of the rotary valve include a displaceable spacer to prevent the gasket from sealing against at least one of the rotor and stator prior to operation, wherein when the spacer is displaced, the gasket seals the rotor and stator together in a fluid-tight manner.



21: 2020/04727. 22: 2020/07/30. 43: 2021/10/26
51: B60C

71: TRELLEBORG WHEEL SYSTEMS ITALIA S.P.A.

72: SGRECCIA, MARIO, LOBENE, STEFANO, MELORO, GIANLUCA, AGAMETTI, GIANNI, ABBATI, GIANLUCA

54: SOLID TYRE PROVIDED WITH CUSHIONING HOLES

00: -
Described herein is a resilient tyre (1) designed to be used on industrial and construction machinery, said resilient tyre (1) comprising a plurality of circular layers of elastic material set on top of one another in the radial direction, said layers forming, proceeding from the centre of the resilient tyre (1) towards the periphery, an inner portion referred to as base (2), an outer portion referred to as tread (3), and two lateral surfaces (4, 4') with height (Q). The resilient tyre (1) comprises a plurality of cushioning holes (7) made in both of the lateral surfaces (4, 4') of the resilient tyre (1), said cushioning holes (7) substantially having a wing-like shape.

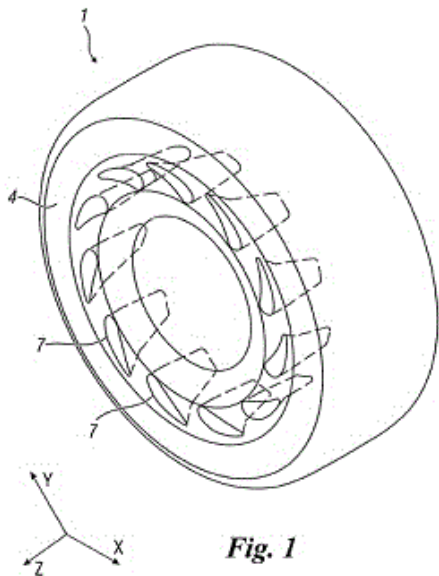


Fig. 1

21: 2020/04786. 22: 2020/07/31. 43: 2021/10/26
51: A47J

71: JURA ELEKTROAPPARATE AG

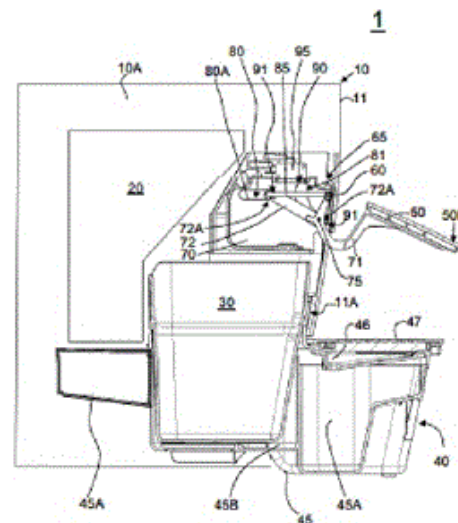
72: BÜTTIKER, PHILIPP, RÜTTI, PASCAL

33: DE 31: 20 2018 101 006.9 32: 2018-02-23

54: BEVERAGE PREPARATION MACHINE FOR BREWED BEVERAGES HAVING A COVER

PLATE FOR COVERING AN OPENING FORMED IN A HOUSING WALL

00: -
The invention relates to a beverage preparation machine (1) for brewed beverages, comprising a housing (10) having a housing wall (11) that surrounds an inner space (10A) and has an opening (11A); a brewing device (20) arranged in the inner space (10A) for brewing a quantity of a solid material accommodated by the brewing device (20), wherein the quantity of the solid material can be output from the brewing device (20); a movable container (30) for receiving a quantity of the solid material output from the brewing device (20), which container (30) can be brought into the inner space (10A) through the opening (11A); a movable cover plate (50) for covering the opening (11A), which cover plate (50) in a first position (50A) covers at least one region of the opening (11A), and which in a second position (50B) uncovers the opening (11A). The cover plate (50) is connected to the housing (10) via a pivoting device (65) so that the cover plate (50) is movable between the first position (50A) and the second position (50B) by pivoting about a pivot axis (60).



21: 2020/04832. 22: 2020/08/04. 43: 2021/11/19
51: C21D; C22C

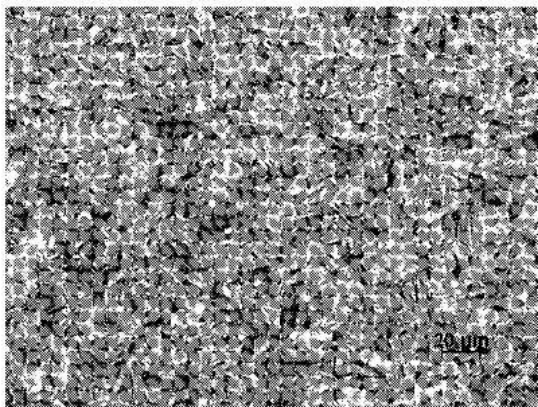
71: NANJING IRON & STEEL CO., LTD.

72: SUN, Chao., WANG, Congdao, DUAN, Dongming, JIANG, Shan, DANG, Jun

33: CN 31: 201810126521.X 32: 2018-02-07

54: HOT-ROLLED, ABRASION-RESISTANT STEEL PLATE AND MANUFACTURING METHOD THEREOF

00: -
 Disclosed is a hot-rolled, abrasion-resistant steel plate and a manufacturing method thereof. The chemical composition of the steel sheet comprises, by weight percent: 0.14% to 0.22% of C, 5.3% to 6.5% of Mn, 0.1% to 0.5% of Si, and 0.01% to 0.04% of Ti, with the balance being Fe and unavoidable impurities. The method of manufacturing the steel plate uses air cooling instead of on-line quenching, and heat treatment is not required in the production.

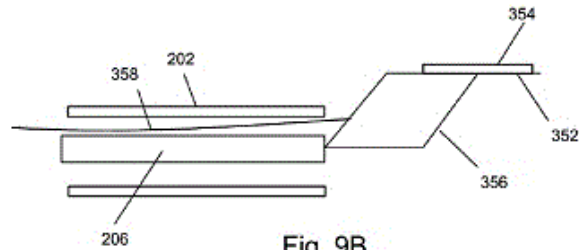


21: 2020/04842. 22: 2020/08/05. 43: 2021/10/26
 51: A61B
 71: CREO MEDICAL LIMITED
 72: MEADOWCROFT, SIMON, HANCOCK, CHRISTOPHER PAUL, ULLRICH, GEORGE, WEBB, DAVID, TURNER, LOUIS, EBBUTT, JULIAN MARK

33: GB 31: 1609537.4 32: 2016-05-31
54: ELECTROSURGICAL APPARATUS AND METHOD

00: -
 An electrosurgical apparatus and method for performing thermal treatment in the gastrointestinal tract, e.g. to ablate duodenal mucosal tissue. The apparatus comprises an instrument having a flexible cable and an applicator suitable for use with a gastroscope, which can be deployed within a patient to delivery energy in a targeted or otherwise controllable manner. The applicator can deliver microwave energy by radiation. The direct and depth-limited nature of microwave energy can be make it more effective than treatments that rely on thermal conduction. The applicator may include a

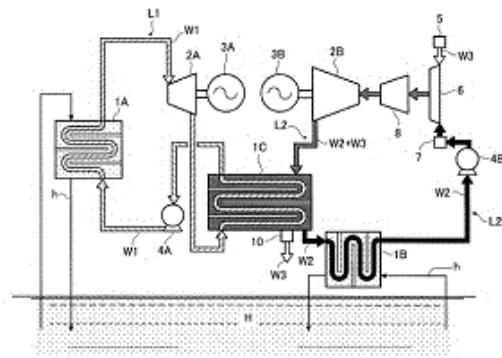
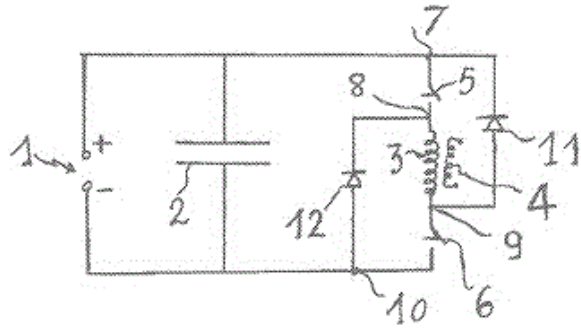
radially extendable portion arranged to move a microwave energy delivery structure into contact with duodenal mucosal tissue at the treatment region. The applicator may comprise any of a balloon, bipolar radiator, movable paddle, and rotatable roller element.



21: 2020/04868. 22: 2020/08/05. 43: 2021/10/26
 51: H05C
 71: LACME HOLDING
 72: HAMM, VALÉRY, BONNE, JULIEN
 33: FR 31: 18 51838 32: 2018-03-02

54: ELECTRIC FENCE ELECTRIFIER AND METHOD FOR CONTROLLING SAME

00: -
 Electric fence electrifier comprising a capacitor (2) for storing energy capable of being discharged in the primary (3) of a step-up transformer, the secondary of which (4) is connected to the electric fence, and comprising an internal electronic device for controlling discharge pulses from the capacitor (2) to the electric fence. The capacitor (2) is discharged into a circuit consisting, in a series and in the following order, of a first electronic actuator (5), followed by the primary (3) of the transformer followed by a second electronic actuator (6), each of the two electronic actuators (5, 6) being controllable in opening and closing, and capable of interrupting, while discharging, discharge pulses from the capacitor (2) into the primary (3) of the transformer and then allowing them.



21: 2020/04895. 22: 2020/08/07. 43: 2021/10/26
 51: F01K; H02K
 71: KOBAYASHI, TAKAITSU
 72: KOBAYASHI, TAKAITSU
 33: JP 31: 2018-036840 32: 2018-03-01
54: WORKING MEDIUM PROPERTY DIFFERENCE POWER GENERATION SYSTEM AND WORKING MEDIUM PROPERTY DIFFERENCE POWER GENERATION METHOD THAT USES THE POWER GENERATION SYSTEM

00: -
 To provide a power generation system and a power generation method that can use thermal energy in a natural world as a thermal source, and can perform power generation while suppressing loss of thermal energy as far as possible. A first heat exchanger 1A, a first thermal engine 2A, and a first power generator 3A are included on a first working medium line L1 that circulates a first working medium W1, a second heat exchanger 1B, a third working medium supply means 5 that supplies a third working medium W3, a mixing means 6 that mixes a second working medium W2 and the third working medium W3, a second thermal engine 2B, and a second power generator 3B are included on a second working medium line L2 that circulates the second working medium W2, and on both of a downstream side of the first thermal engine 2A on the first working medium line L1 and a downstream side of the second thermal engine 2B on the second working medium line L2, a third heat exchanger 1C is included, and a third working medium discharge means 10 for discharging the third working medium W3 to the third heat exchanger 1C is included.

21: 2020/04949. 22: 2020/08/11. 43: 2021/09/28
 51: H01H; H02H
 71: Eaton Intelligent Power Limited
 72: ASKAN, Kenan, BARTONEK, Michael, KATZENSTEINER, Matthias
 33: DE 31: 102018101309.4 32: 2018-01-22
54: DIRECT CURRENT CIRCUIT BREAKER DEVICE

00: -
 The invention relates to a direct current circuit breaker device (1) having a first current path (2) and a second current path (5), a mechanical bypass switch (8) being arranged in the first current path (2), the bypass switch (8) having at least one bypass switch exciter coil (21). A first semiconductor circuit assembly (11) of the direct current circuit breaker device (1) is connected in parallel with the bypass switch (8), an electronic control unit (13) of the direct current circuit breaker device (1) being designed to actuate the first semiconductor circuit assembly (11). The direct current circuit breaker device (1) has a second semiconductor circuit assembly (22) which is actuated by the control unit (13), and the second semiconductor circuit assembly (22) is connected to the bypass switch exciter coil (21) in terms of circuitry. The invention proposes that at least one terminal of the second semiconductor circuit assembly (22) is connected directly to the second supply terminal (6) in terms of circuitry.

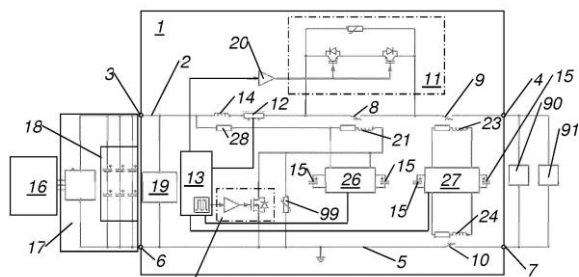
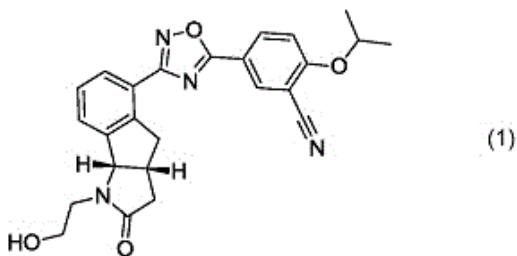


Fig. 1

21: 2020/05078. 22: 2020/08/17. 43: 2021/10/15
 51: C07D; A61P
 71: MEDSHINE DISCOVERY INC.
 72: ZHANG, PENG, LI, WEIDONG, WU, LINGYUN
 33: CN 31: 201810049853.2 32: 2018-01-18
**54: CRYSTAL AND SALT FORMS OF TRICYCLIC
 COMPOUND AND PREPARATION METHOD
 THEREOF**

00: -
 Provided are a crystal form of a tricyclic compound and a preparation method thereof. Also provided is an application of the crystal form in preparing a drug for treating a disease related to a sphingosine-1-phosphate subtype 1 (S1P1) receptor.



21: 2020/05458. 22: 2020/09/01. 43: 2021/10/26
 51: B05C; B05B; B65B
 71: DÜRR SYSTEMS AG
 72: RÜGER, ALEXANDER
 33: DE 31: 10 2018 109 344.6 32: 2018-04-19
**54: SUPPLY SYSTEM FOR SUPPLYING
 MULTIPLE CONSUMERS WITH AN APPLICATION
 SUBSTANCE**

00: -
 The invention relates to a supply system (100) for supplying multiple consumers (10, 20, 30, 40) with an application substance, preferably paint, to be applied to motor vehicle bodies and/or add-on parts thereof. The supply system (100) comprises a feed line (L1), a return line (L3), a first consumer device (A) which comprises a first consumer (10), wherein

the first consumer (10) is connected to the feed line (L1) and to the return line (L3) and preferably forms a first consumer (10) of the feed line (L1) in the flow direction of the application substance, and a further consumer device (D) which comprises a further consumer (40), wherein the further consumer (40) is connected to the feed line (L1) and to the return line (L3) and preferably forms a last consumer (40) of the feed line (L1) in the flow direction of the application substance and/or is arranged downstream of the first consumer (10) in the flow direction of the application substance. The supply system (100) is in particular characterized in that the feed line (L1) is connected to the return line (L3) via a connecting line (L2). The invention further relates to an associated coating facility and to an associated supply method.

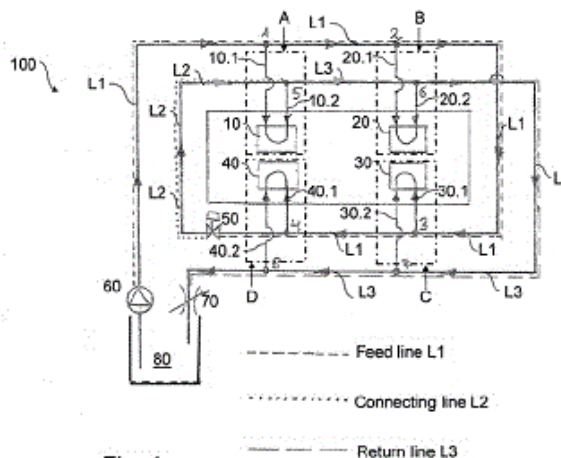
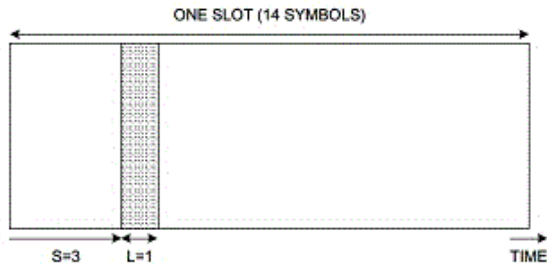


Fig. 1

21: 2020/05562. 22: 2020/09/08. 43: 2021/10/26
 51: H04L; H04W
 71: NTT DOCOMO, INC.
 72: TAKEDA, KAZUKI, NAGATA, SATOSHI, WANG, LIHUI, HOU, XIAOLIN
**54: USER TERMINAL AND RADIO
 COMMUNICATION METHOD**

00: -
 To appropriately perform data transmission using a certain symbol, one aspect of a user terminal of the present disclosure includes: a transmitting section that transmits an uplink shared channel by using a certain number of symbols; and a control section that performs control such that transmission of the uplink shared channel using one symbol is performed when an allocation type allowing a

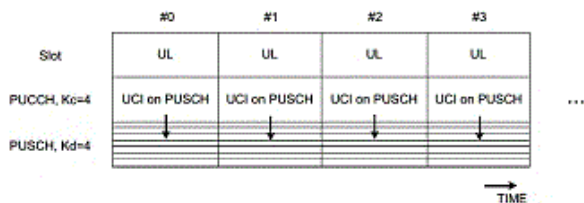
change of a start position of the uplink shared channel is employed in a case that a plurality of allocation types for a time direction of the uplink shared channel are supported.



21: 2020/05563. 22: 2020/09/08. 43: 2021/10/26
 51: H04W
 71: NTT DOCOMO, INC.
 72: TAKEDA, KAZUKI, NAGATA, SATOSHI, WANG, LIHUI, HOU, XIAOLIN

54: USER TERMINAL AND RADIO COMMUNICATION METHOD

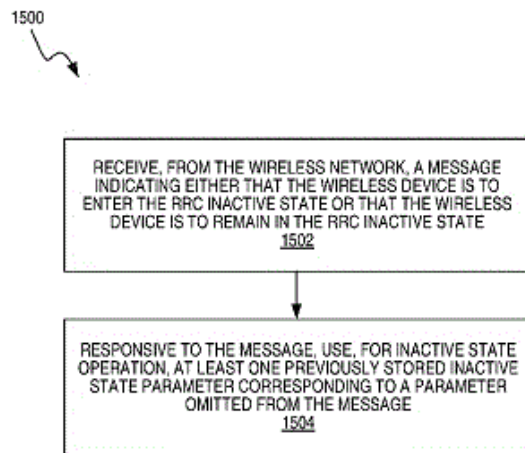
00: -
 A user terminal according to the present invention includes: a transmitting section that transmits uplink data and uplink control information in a slot unit; and a control section that controls transmission of the uplink control information via a channel of the uplink data based on a Downlink (DL)/Uplink (UL) allocation configuration of Time Division Duplex (TDD), and a relationship between a plurality of slots indicated to the transmission of the uplink data and a plurality of slots indicated to the transmission of the uplink control information.



21: 2020/05568. 22: 2020/09/08. 43: 2021/10/26
 51: H04W
 71: TELEFONAKTIEBOLAGET LM ERICSSON (PUBL)
 72: DA SILVA, ICARO L. J, MILDH, GUNNAR
 33: US 31: 62/668,016 32: 2018-05-07

54: METHODS FOR SUSPENDING INACTIVE WHEN RESUMING AND RESUMING INACTIVE WHEN SUSPENDING

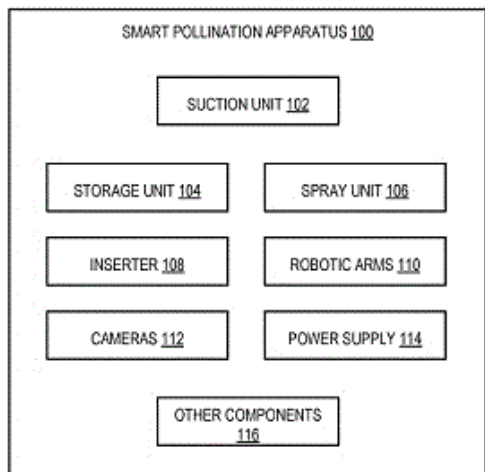
00: -
 According to an aspect, a wireless device, operating in a wireless network, handlestransitions from Radio Resource Control, RRC, connected state to an RRC inactive state. The wireless device receives (1502), from the wireless network, a message indicating either that the wireless device is to enter the RRC inactive state or that the wireless device is to remain in the RRC inactive state. The wireless device, responsive to the message, uses(1504), for inactive state operation, at least one previously stored inactive state parameter corresponding to a parameter omitted from the message.



21: 2020/05605. 22: 2020/09/09. 43: 2021/10/26
 51: A01H
 71: CHINTALA, SANDEEP KUMAR
 72: CHINTALA, SANDEEP KUMAR
 33: IN 31: 201841005490 32: 2018-02-13

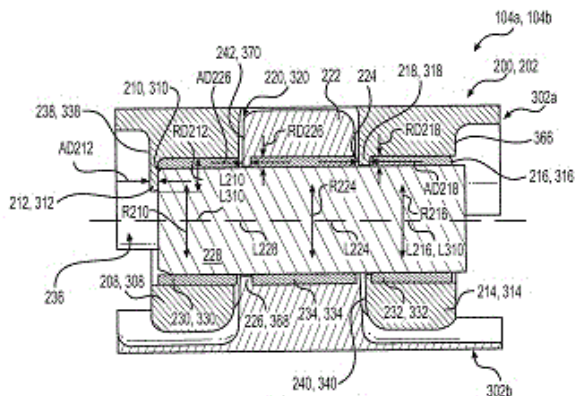
54: SMART POLLINATION SYSTEM

00: -
 The present subject matter relates to a smart pollination system, which is a smart pollination apparatus (100). The smart pollination apparatus (100) is machine learned and uses artificial intelligence engine for pollination. The smart pollination apparatus (100) is communicatively coupled to a global communications system (GCS). The GCS and the smart pollination apparatus (100) manage the pollination trends with the help of artificial intelligence and machine learning.



21: 2020/05613. 22: 2020/09/09. 43: 2021/10/26
 51: B62D
 71: CATERPILLAR INC.
 72: JONES, BENJAMIN I, DUMITRU, MIRCEA
 33: US 31: 15/903,719 32: 2018-02-23
54: TRACK PIN AND BUSHING RETENTION DESIGN FOR A TRACK CHAIN
 00: -

A track chain member (200) may comprise a shoe member (206), and a first rail member (204a) extending from the shoe member (206). The first rail member (204a) may include a first lug (208) defining a first bore (210) defining a first longitudinal axis (L210) and including a first bushing retention shelf (212) disposed in the first bore (210), a second lug (214) including a second bushing retention shelf (218) disposed in the second bore (216). A third lug (222) may extend in a direction opposite that of the first lug (208) and second lug (214) and may be disposed axially between the first lug (208) and the second lug (214).

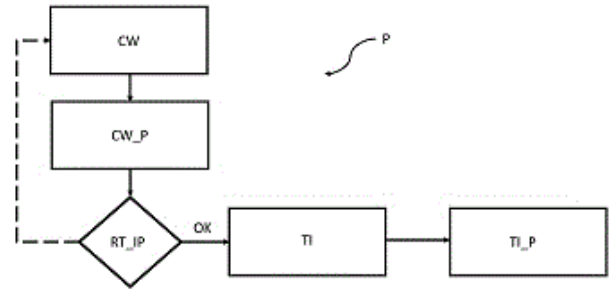
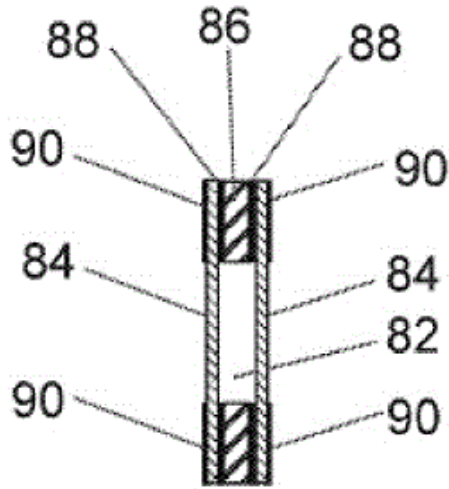


21: 2020/05614. 22: 2020/09/09. 43: 2021/10/26
 51: B01J; C07C
 71: DOW GLOBAL TECHNOLOGIES LLC
 72: NIESKENS, DAVY L.S, POLLEFEY, GLENN, MALEK, ANDRZEJ, CALVERLEY, EDWARD M, GROENENDIJK, PETER E, SANDIKCI, AYSEGUL CIFTCI
 33: US 31: 62/635,831 32: 2018-02-27
54: CATALYST AND METHOD FOR CONVERTING CARBON-CONTAINING STREAM TO C2 TO C5 PARAFFINS USING IT
 00: -

A process for preparing C₂to C₅paraffins includes introducing a feed stream comprising hydrogen gas and a carbon-containing gas into a reaction zone of a reactor, and converting the feed stream into a product stream comprising C₂to C₅paraffins in the reaction zone in the presence of a hybrid catalyst. The hybrid catalyst includes a metal oxide catalyst component and a microporous catalyst component. The metal oxide catalyst component satisfies: an atomic ratio of Cu/Zn from 0.01 to 3.00; an atomic ratio of Cr/Zn from 0.01 to 1.50; and percentage of (A1 + Cr) from greater than 0.0 at% to 50.0 at% based on a total amount of metal in the metal oxide catalyst component.

21: 2020/05625. 22: 2020/09/10. 43: 2021/10/26
 51: A61M; A24F; G05D
 71: ALTRIA CLIENT SERVICES LLC
 72: RAICHMAN, YOSSEF
 33: US 31: 14/662,607 32: 2015-03-19
54: VAPORIZER FOR VAPORIZING AN ACTIVE INGREDIENT
 00: -

The invention relates to a capsule which comprises a first conductive mesh, a second conductive mesh, and a housing portion. The housing portion is sandwiched between the first conductive mesh and the second conductive mesh. The housing portion defines a cavity with a curved section. The first conductive mesh and the second conductive mesh may be configured to undergo resistive heating. The first conductive mesh and the second conductive mesh may define openings from 15 to 80 microns. A periphery of at least the first conductive mesh or the second conductive mesh may be aligned with a periphery of the housing portion.



21: 2020/05636. 22: 2020/09/10. 43: 2021/10/26
 51: A61B
 71: ECHOSENS
 72: SANDRIN, LAURENT, LOREE, HUGO
 BERNARD MARTIN
 33: FR 31: 1851821 32: 2018-03-02

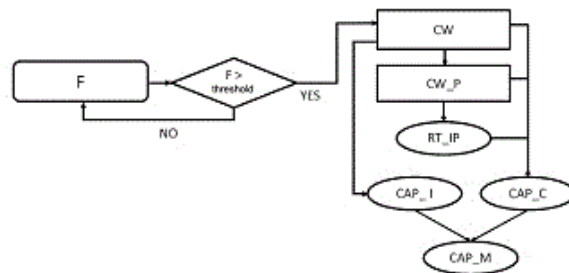
54: HYBRID ELASTOGRAPHY METHOD, PROBE, AND DEVICE FOR HYBRID ELASTOGRAPHY

00: -
 The invention relates to a method for hybrid elastography (P), comprising the following steps: - applying a continuous low-frequency vibration, and generating (CW), using an ultrasonic transducer in contact with the viscoelastic medium, a first series of ultrasound acquisitions, said first series of ultrasound acquisitions comprising groups of ultrasound acquisitions, which groups of ultrasound acquisitions are generated at a first repetition rate, each group of ultrasound acquisitions comprising at least one acquisition, and the continuous vibration generating an elastic wave inside the viscoelastic medium; and - applying a low-frequency pulse, and generating (TI), using the ultrasonic transducer, a second series of ultrasound acquisitions, the ultrasound acquisitions which make up the second series being generated at a second repetition rate, the low-frequency pulse generating a transient shear wave propagating inside the viscoelastic medium; and the continuous vibration applied by the first vibrator being stopped before the application of the low-frequency pulse.

21: 2020/05638. 22: 2020/09/10. 43: 2021/10/26
 51: A61B; G01S
 71: ECHOSENS
 72: SANDRIN, LAURENT, AUDIERE, STÉPHANE
 33: FR 31: 1851822 32: 2018-03-02

54: METHOD FOR MEASURING AN ULTRASONIC ATTENUATION PARAMETER, GUIDED BY HARMONIC ELASTOGRAPHY; PROBE; AND DEVICE FOR IMPLEMENTING SAID METHOD

00: -
 The invention relates to a method for measuring an ultrasonic attenuation parameter, guided by harmonic elastography, and comprising a step of application, using a vibrator contained in a probe in contact with a viscoelastic medium, of a continuous low-frequency vibration, said continuous low-frequency vibration generating an elastic wave inside the viscoelastic medium, and generation (CW), during propagation of the elastic wave and using an ultrasonic transducer in contact with the viscoelastic medium, of a series of ultrasound acquisitions, said series of ultrasound acquisitions comprising groups of ultrasound acquisitions, which groups of ultrasound acquisitions are generated at a repetition rate, wherein each group of ultrasound acquisitions comprises at least one acquisition; the ultrasonic attenuation parameter is measured on the basis of the ultrasound acquisitions obtained during the application of the continuous low-frequency vibration.



21: 2020/05676. 22: 2020/09/11. 43: 2021/10/26
51: A61K; A61P

71: BERLIN-CHEMIE AG

72: MERLINO, GIUSEPPE, BIGIONI, MARIO,
BINASCHI, MONICA, PELLACANI, ANDREA

33: IT 31: 102018000004082 32: 2018-03-29

**54: ANTICANCER PHARMACEUTICAL
COMPOSITIONS FOR COMBINED THERAPY**

00: -

The present invention relates to new combinations of antitumour or anticancer agents for the tumour combination therapy, pharmaceutical compositions intended for combined use and kit containing compositions of different antitumour agents for combined use. In particular the present invention relates to combinations of various tumour agents with the PBK-Class I inhibitor 5-(7-methanesulfonyl-2-morpholin-4-yl)-6,7-dihydro-5H-pyrrolo[2,3-d]pyrimidin-4-yl)-pyrimidin-2-yl-amine or pharmaceutically acceptable salts thereof.

21: 2020/05678. 22: 2020/09/11. 43: 2021/10/26
51: H04B; H04L; H04W

71: TELEFONAKTIEBOLAGET LM ERICSSON
(PUBL)

72: GRANT, STEPHEN, FAXÉR, SEBASTIAN,
TIDESTAV, CLAES

33: US 31: 62/660,738 32: 2018-04-20

**54: CROSS-CARRIER SPATIAL RELATION
INDICATION FOR SEMI-PERSISTENT SOUNDING
REFERENCE SIGNAL (SP-SRS) RESOURCES**

00: -

Exemplary embodiments include methods for activating or deactivating reference signal (RS) resources usable for management of transmit and/or receive beams for communication with a user equipment (UE) in a wireless communication network. Embodiments include sending, to the UE, one or more control messages comprising configuration of a plurality of RS resources associated with a particular bandwidth part (BWP) of a particular component carrier (CC) in the network. Embodiments also include sending, to the UE, a further control message comprising identification of at least one RS resource, of the plurality, to be activated or deactivated. The further control message can also include, for each identified RS resource, an indication of the identified RS resource's spatial relation with a further resource that is not associated with the particular BWP of the

particular CC. Embodiments also include complementary methods performed by a UE, and apparatus configured to perform the exemplary methods.

A/D	Serving Cell ID		BWP ID		
R	R	R	SUL	SP-SRS	Resource Set ID
F ₀	Resource ID ₀				3
⋮					
F _{N-5}	Resource ID _{N-5}				N
Target CC/BWP ID for Resource ID ₀		Target CC/BWP ID for Resource ID ₁		N+1	
⋮					
Target CC/BWP ID for Resource ID _{N-4}		Target CC/BWP ID for Resource ID _{N-3}		N+(N-3)/2	

21: 2020/05726. 22: 2020/09/15. 43: 2021/10/26
51: C07D; A61P; A61K

71: CELGENE CORPORATION

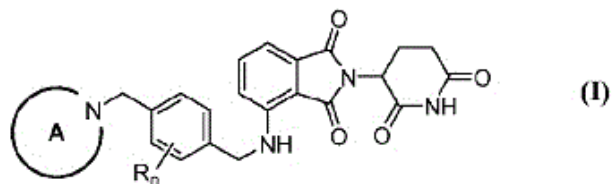
72: ALEXANDER, MATTHEW D, CARRANCIO,
SORAYA, CORREA, MATTHEW D, GRANT,
VIRGINIA HEATHER SHARRON, HANSEN,
JOSHUA, HARRIS, ROY L, HUANG, DEHUA,
KERCHER, TIMOTHY S, LOPEZ-GIRONA,
ANTONIA, NAGY, MARK A, PLANTEVIN-
KRENITSKY, VERONIQUE

33: US 31: 62/661,525 32: 2018-04-23

**54: SUBSTITUTED 4-AMINOISOINDOLINE-1,3-
DIONE COMPOUNDS AND THEIR USE FOR
TREATING LYMPHOMA**

00: -

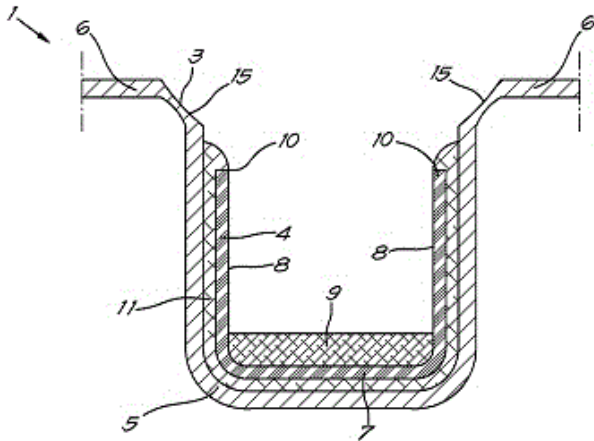
Provided herein are 4-aminoisoindoline-1,3-dione compounds having the following structure: Formula (I) wherein R, Ring A, and n are as defined herein, compositions comprising an effective amount of a 4-aminoisoindoline-1,3-dione compounds and their use for treating lymphoma.



21: 2020/05752. 22: 2020/09/16. 43: 2021/10/26
 51: B42C; B42D
 71: UNIBIND LIMITED
 72: PELEMAN, GUIDO FRANS M

54: BINDING FOLDER FOR BINDING LEAVES AND METHOD TO PRODUCE SUCH BINDING FOLDER

00: -
 Binding folder for binding a bundle of leaves (2), whereby this binding folder (1) comprises a cover (3) with a spine (5) and two endpapers (6), whereby in the spine (5) a U-shaped profile (4) from heat-conductive material is applied, whereby the U-shaped profile (4) comprises a base (7) and upright arms (8) and whereby in the U-shaped profile (4) a binding adhesive (9) in the form of a hotmelt adhesive is applied, characterised in that the U-shaped profile (4) in the spine (5) is applied by means of an assembly adhesive (11) between the upright arms (8) of the U-shaped profile (4) and the spine (5) of the cover (3), whereby this assembly adhesive (11) extends beyond the free edges (10) of the upright arms (8) and over these free edges (10).

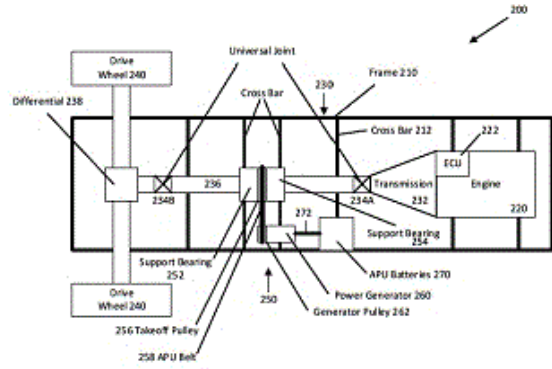


21: 2020/05769. 22: 2020/09/17. 43: 2021/10/26
 51: H02P; F02N
 71: BLACKBURN ENERGY, INC.
 72: AMIGO, ANDREW
 33: US 31: 62/155,855 32: 2015-05-01

54: METHOD AND SYSTEM FOR AUXILIARY POWER GENERATION

00: -
 An auxiliary power system for a motor vehicle includes an engine connected to a transmission and a drive line connecting the transmission to a differential whereby rotational power of the engine is

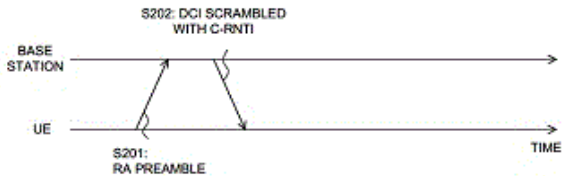
transmitted to rotate one or more drive wheels. The drive line includes a generator and a stator. The generator includes a magnetic rotor drive coupled to the drive line and configured to rotate with respect to the drive line. The stator is configured to surround the rotor and generate electrical energy from the rotating rotor.



21: 2020/05781. 22: 2020/09/17. 43: 2021/10/26
 51: H04B
 71: NTT DOCOMO, INC.
 72: TAKEDA, KAZUKI, NAGATA, SATOSHI, WANG, LIHUI, HOU, XIAOLIN

54: USER TERMINAL AND RADIO COMMUNICATION METHOD

00: -
 A user terminal according to one aspect of the present disclosure includes a receiving section that performs monitoring of a downlink control channel during a beam failure recovery (BFR) procedure, and a control section that identifies correspondence between a format of downlink control information transmitted on the downlink control channel and a search space in which the monitoring is performed. According to one aspect of the present disclosure, a beam recovery procedure can be preferably successfully completed.

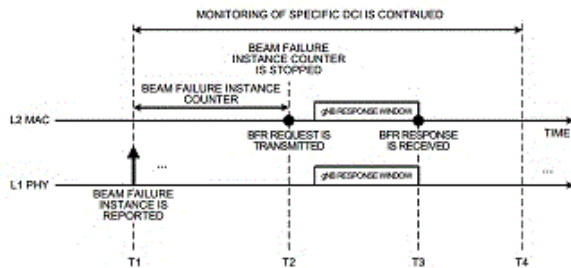


21: 2020/05782. 22: 2020/09/17. 43: 2021/10/26
 51: H04B; H04W
 71: NTT DOCOMO, INC.

72: TAKEDA, KAZUKI, NAGATA, SATOSHI, WANG, LIHUI, HOU, XIAOLIN

54: USER TERMINAL AND RADIO COMMUNICATION METHOD

00: -
 According to one aspect of the present invention, a user terminal has a transmission section that transmits a beam failure recovery request signal to a radio base station, a receiving section that receives a response signal in response to the recovery request signal, from the radio base station, and a control section that controls beam failure recovery procedures, including at least transmitting the recovery request signal and receiving the response signal, and the control section maintains monitoring of specific downlink control information in the beam failure recovery procedures.

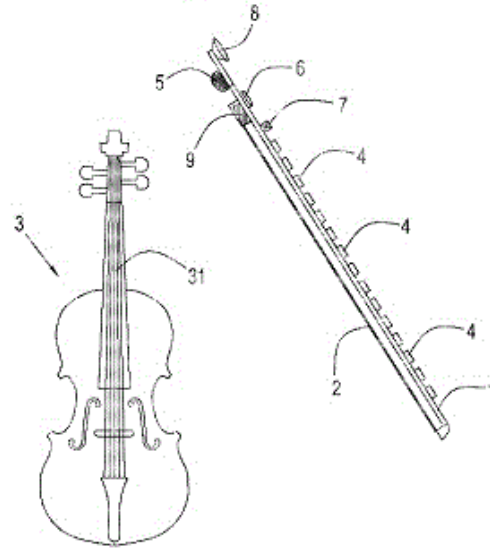


21: 2020/05784. 22: 2020/09/17. 43: 2021/10/26
 51: G10D

71: MARTINEZ ORTS, CONSTANTINO
 72: MARTINEZ ORTS, CONSTANTINO
 33: ES 31: U201830279 32: 2018-03-02

54: BOW FOR A BOWED STRING MUSICAL INSTRUMENT

00: -
 The invention relates to a bow for a bowed string musical instrument, which comprises a narrow stick and one or more strips or hairs for rubbing the strings of a bowed string musical instrument. The bow incorporates at least one illuminating means, a processing means able to activate and control the illuminating means, and a power supply battery for the electrical power supply of the illuminating means, all said elements being disposed on the narrow stick.



21: 2020/05813. 22: 2020/09/18. 43: 2021/10/26

51: C01B; B01J; C08G

71: PRAYON

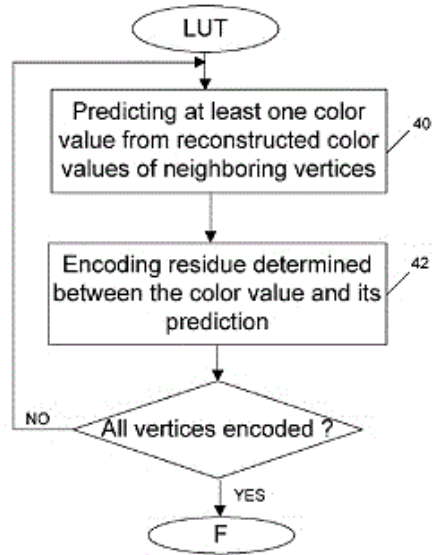
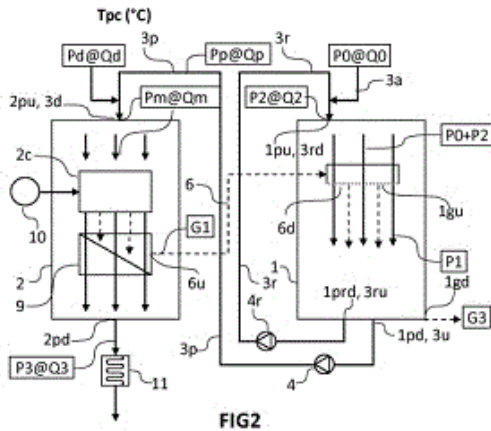
72: HEPTIA, BERNARD, SZÖCS, CARL, LERUTH, DENIS, GABRIEL, DAMIEN

33: BE 31: 2018/5917 32: 2018-12-20

33: BE 31: 2018/5218 32: 2018-03-30

54: METHOD FOR PRODUCING POLYPHOSPHORIC ACID AND DEVICE FOR SUCH A METHOD

00: -
 The invention relates to a method and device for producing a solution of polyphosphoric acid from a feed solution P0 by the wet method. An enriched phosphoric acid solution optionally mixed with a direct feed solution is pulverised in a flame of a combustion chamber in order to form the polyphosphoric acid solution. The combustion gases from the combustion chamber are placed in contact with the feed solution in a gas-acid contactor in order to increase the temperature and the P₂O₅ concentration thereof and thus to form an enriched phosphoric acid solution. A portion of the enriched phosphoric acid solution is conveyed with a flow rate of Q_p into the combustion chamber in order to be pulverised in the flame. The rest of the enriched phosphoric acid solution is conveyed into a recirculation loop in order to be reinjected into the gas-acid contactor with a flow rate of Q₂. The ratio of Q_p / (Q_p + Q₂) is controlled with a predefined value.



21: 2020/05823. 22: 2020/09/21. 43: 2021/10/26
 51: H04N
 71: DOLBY INTERNATIONAL AB
 72: BORDES, PHILIPPE, ANDRIVON, PIERRE, JOLLY, EMMANUEL
 33: EP 31: 13306010.3 32: 2013-07-15
 33: EP 31: 13305453.6 32: 2013-04-08
 33: EP 31: 14305109.2 32: 2014-01-27

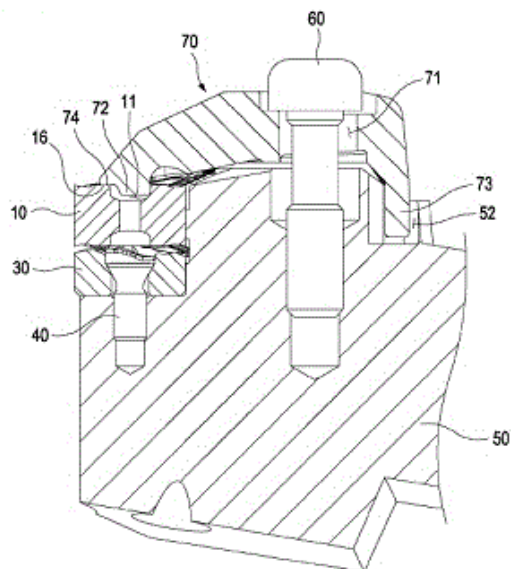
54: METHOD FOR ENCODING AND METHOD FOR DECODING A LUT AND CORRESPONDING DEVICES

00: -
 A method for encoding a LUT defined as a lattice of vertices is disclosed. At least one value is associated with each vertex of the lattice. The method comprises for a current vertex: predicting the at least one value associated with said current vertex from another value which is for example obtained from reconstructed values associated with neighboring vertices; and encoding in a bitstream at least one residue computed between the at least one value of the current vertex and its prediction in a bitstream.

21: 2020/05838. 22: 2020/09/21. 43: 2021/10/26
 51: B23B
 71: TAEGUTEC LTD.
 72: CHOI, CHANG HEE, JEONG, CHANG WON
 33: KR 31: 10-2018-0036180 32: 2018-03-28

54: INSERT AND CUTTING TOOL ASSEMBLY COMPRISING SAME

00: -
 The present disclosure provides a cutting tool assembly for cutting a workpiece. The cutting tool assembly includes an insert having an upper surface that has a quadrilateral shape so as to include first to fourth insert corner portions, and a shim configured to support the insert. The insert includes an upper surface and a lower surface on which first to sixth inclined mounting portions are respectively formed. The shim simultaneously supports the first to third inclined mounting portions, or simultaneously supports the fourth to sixth inclined mounting portions.

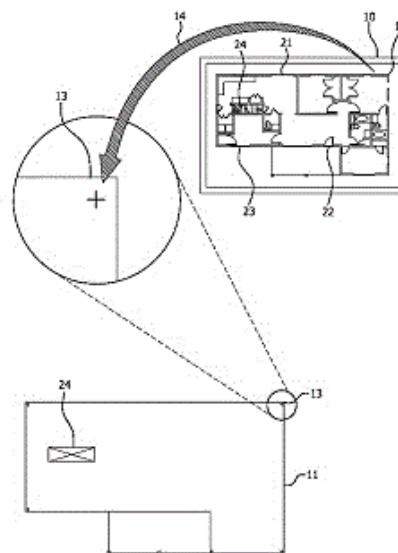


51: B41F; B43K
 71: IMAGE CLONE, LLC
 72: PINHO, FERNANDO J
 33: US 31: 62/633,130 32: 2018-02-21
54: SYSTEM AND METHOD FOR AUTOMATED LAYOUT OF BUILDINGS

00: -
 Starting from a set of plans, such as, without limitation, blueprints, drawings, or Autocad® files, a system and method for calibrating such plans and transferring such plans into a computer readable file and loading a specially designed electronic version of such plans into a hardware based system that locates, adjusts, transfers, and prints, to a desired scale, a lasting image of said construction plans drawn onto a building surface.

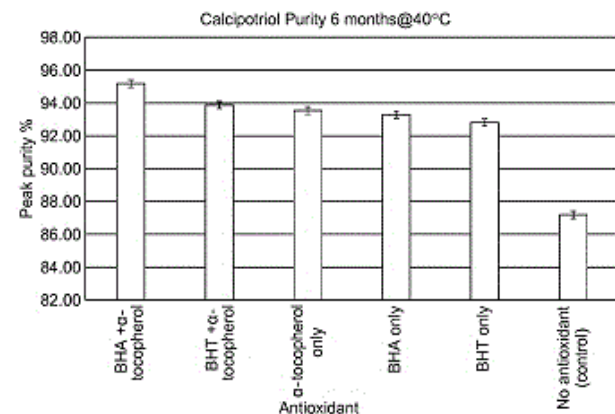
21: 2020/05839. 22: 2020/09/21. 43: 2021/10/26
 51: A61K
 71: MC2 THERAPEUTICS LIMITED
 72: CRUTCHLEY, NIGEL, GEORGIU, MICHELLE, LENON, STEPHEN, PRAESTEGAARD, MORTEN
 33: EP 31: 18162664.9 32: 2018-03-19
54: TOPICAL COMPOSITION

00: -
 The present invention relates to a composition for topical application comprising a polyaphron dispersion, the polyaphron dispersion comprising a continuous aqueous phase and at least one discontinuous oil phase, wherein the polyaphron dispersion comprises calcipotriol, betamethasone dipropionate, alpha-tocopherol and butylated hydroxyanisole, and wherein the composition has a pH of 7.75 ± 0.5 .



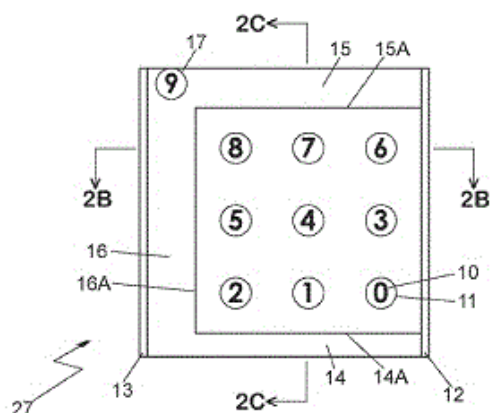
21: 2020/05872. 22: 2020/09/22. 43: 2021/10/26
 51: G09B
 71: RANKINE, ANTHONY JOHN
 72: RANKINE, ANTHONY JOHN
 33: US 31: 15/906,374 32: 2018-02-27
54: BEAD-ON-TILE APPARATUS AND METHODS

00: -
 Apparatus and methods for providing instruction include at least one instruction site defining an instruction board and at least one instruction piece configured to be received on the instruction site. A user manipulates the at least one instruction piece to perform a change of state operation relating to the instruction. The apparatus and methods are based on applied cognitive science, where children play the lead role in storylines staged upon a rule-enforcing



21: 2020/05845. 22: 2020/09/21. 43: 2021/10/26

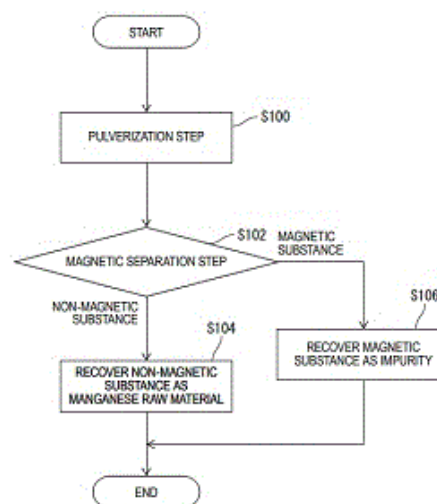
apparatus and by so doing, become self-enlightened about denumerability, rank-wise denumerability, addition, subtraction, multiplication, division, and other change-of-state processes encountered in mathematics and the quantifiable sciences.



21: 2020/05906. 22: 2020/09/23. 43: 2021/10/08
 51: C22B; C21C
 71: JFE STEEL CORPORATION
 72: ODA, NOBUHIKO, HINO, YUTA, TAKAKI, YUKI, NISHINA, YOSHIAKI, KIKUCHI, NAOKI
 33: JP 31: 2018-036865 32: 2018-03-01
54: METHOD FOR MANUFACTURING MANGANESE RAW MATERIAL AND METHOD FOR MANUFACTURING MANGANESE-CONTAINING MOLTEN STEEL

00: -
 There are provided a method for manufacturing a manganese raw material and a method for manufacturing manganese-containing molten steel that can reduce cost for manufacturing manganese-containing molten iron by recovering a manganese raw material having low impurity concentration from a manganese oxide-containing material. The manufacturing method includes a first pulverization step (S100) of compressively pulverizing a manganese oxide-containing material containing at least manganese, calcium, silicon, iron, and phosphorus, which is used as a raw material, to form a composite in which a compound phase of $n\text{CaO} \times \text{P}_2\text{O}_5$ is combined with at least one phase of a spinel phase and a calcium ferrite phase, which are ferromagnetic materials, and produce a first pulverized manganese oxide-containing material containing the composite; a first magnetic separation

step (S102) of separating the first pulverized manganese oxide-containing material produced in the pulverization step into a magnetic substance and a non-magnetic substance under a magnetic force; and a step (S104) of recovering the non-magnetic substance separated in the first magnetic separation step as a manganese raw material.

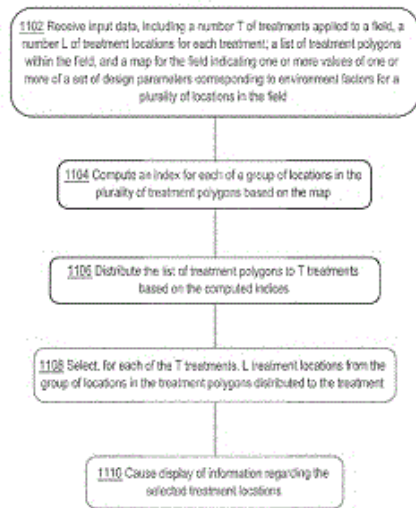


21: 2020/05918. 22: 2020/09/25. 43: 2021/10/26
 51: G01N; G06Q; A01B
 71: THE CLIMATE CORPORATION
 72: HU, JIE, LADONI, MOSLEM
 33: US 31: 15/713,507 32: 2017-09-22
 33: US 31: 62/468,896 32: 2017-03-08

54: LOCATION SELECTION FOR TREATMENT SAMPLING

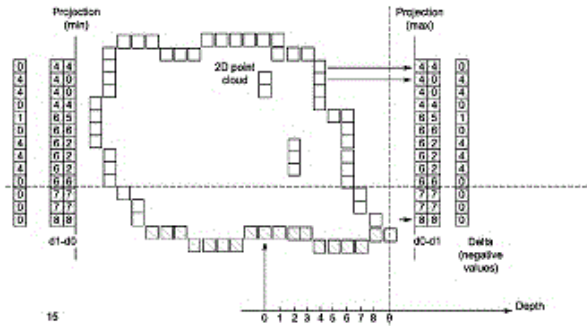
00: -
 A computer-implemented method of selecting locations in a field for treatment sampling. The method comprises receiving input data including (i) a number T of treatments applied to a field, (ii) a number L of treatment locations for each treatment, and (iii) a map for the field indicating one or more values of a set of design parameters corresponding to environment factors affecting treatments to the field for each of a plurality of locations in the field. The method further comprises (a) determining a number of categories for each of the set of design parameters, (b) computing an environment class index for each of a group of locations in the field, comprising identifying a category for each of the set of design parameters from the corresponding number of categories based on one or more values of the set of design parameters for the location in the

map, (c) selecting, for each of the T of treatments, L treatment locations from the group of locations to increase a number of unique environment class indices of the selected treatment locations, and (d) causing display of information regarding the selected treatment locations.



21: 2020/05924. 22: 2020/09/25. 43: 2021/10/26
 51: H04N
 71: INTERDIGITAL VC HOLDINGS, INC.
 72: RICARD, JULIEN, GUEDE, CELINE, OLIVIER,
 YANNICK, LLACH PINSACH, JOAN
 33: EP 31: 18305437.8 32: 2018-04-11
**54: A METHOD FOR ENCODING DEPTH VALUES
 OF A SET OF 3D POINTS ONCE
 ORTHOGONALLY PROJECTED INTO AT LEAST
 ONE IMAGE REGION OF A PROJECTION PLANE**
 00: -

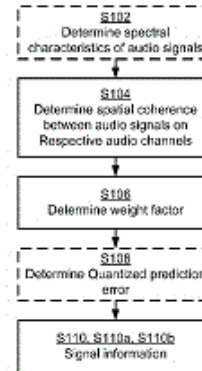
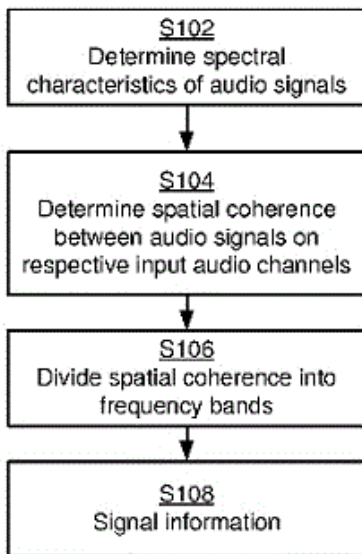
At least one embodiment relates to a method comprising encoding a projection mode associated with an image region of a first depth image, said projection mode indicating if said image region stores either the minimum or the maximum depth value of at least one orthogonally projected 3D point of the point cloud along a same projection direction; and encoding said depth minimum and maximum depth values as a function of said projection mode.



21: 2020/05925. 22: 2020/09/25. 43: 2021/10/26
 51: G10L
 71: TELEFONAKTIEBOLAGET LM ERICSSON
 (PUBL)
 72: JANSSON, FREDRIK, NORVELL, ERIK,
 JANSSON TOFTGÅRD, TOMAS
 33: US 31: 62/652949 32: 2018-04-05
 33: US 31: 62/652941 32: 2018-04-05
 33: US 31: 62/653078 32: 2018-04-05

54: SUPPORT FOR GENERATION OF COMFORT NOISE

00: -
 A method and a transmitting node for supporting generation of comfort noise for at least two audio channels at a receiving node. The method is performed by a transmitting node. The method comprises determining spectral characteristics of audio signals on at least two input audio channels and determining a spatial coherence between the audio signals. The spatial coherence is associated with perceptual importance measures. A compressed representation of the spatial coherence is determined per frequency band by weighting the spatial coherence within each frequency band according to the perceptual importance measures. Information about the spectral characteristics and the compressed representation of the spatial coherence per frequency band is signaled to the receiving node for enabling the generation of the comfort noise at the receiving node.



21: 2020/05926. 22: 2020/09/25. 43: 2021/10/26
 51: G10L
 71: TELEFONAKTIEBOLAGET LM ERICSSON (PUBL)
 72: NORVELL, ERIK, JANSSON, FREDRIK
 33: US 31: 62/652,949 32: 2018-04-05
 33: US 31: 62/653,078 32: 2018-04-05
 33: US 31: 62/652,941 32: 2018-04-05

54: SUPPORT FOR GENERATION OF COMFORT NOISE, AND GENERATION OF COMFORT NOISE

00: -
 A method for generation of comfort noise for at least two audio channels. The method comprises determining a spatial coherence between audio signals on the respective audio channels, wherein at least one spatial coherence value per frame and frequency band is determined to form a vector of spatial coherence values. A vector of predicted spatial coherence values is formed by a weighted combination of a first coherence prediction and a second coherence prediction that are combined using a weight factor α . The method comprises signaling information about the weight factor α to the receiving node, for enabling the generation of the comfort noise for the at least two audio channels at the receiving node.

21: 2020/05927. 22: 2020/09/25. 43: 2021/10/26

51: G01M

71: SHANDONG UNIVERSITY OF SCIENCE AND TECHNOLOGY

72: ZENG, QINGLIANG, YANG, YANG, WAN, LIRONG, ZHANG, XIN, WANG, CHENGLONG, WANG, LIANG, LIU, ZHIHAI, GAO, KUIDONG, ZHANG, YI

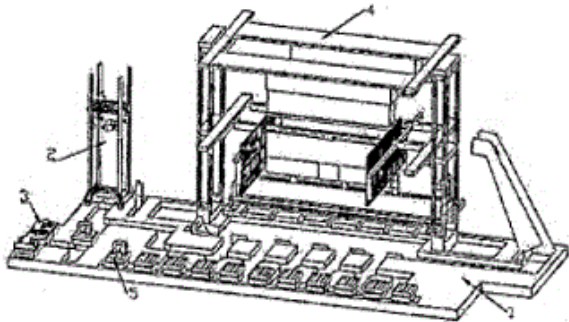
33: CN 31: 201810209819.7 32: 2018-03-14

54: COAL GANGUE INTERFACE RECOGNITION TEST SYSTEM FOR TOP COAL CAVING

00: -

A coal gangue interface recognition test system for top coal caving, comprising a base (1), a coal gangue particle impact vibration test device, and a coal flow-simulated coal gangue caving impact test device, wherein the coal gang particle impact vibration test device comprises a vibration stand device (3), a support assembly, a coal caving device (2), and a high-speed camera assembly (205). The coal gangue particles is released to the vibration stand device (3) by means of the coal caving device (2). Instantaneous image information of the coal gang particles falling to the vibration stand device (3) is obtained by the high-speed camera assembly (205). The coal flow-simulated coal gangue caving impact test device comprises a coal flow-simulated caving device (4), a coal gangue conveying device (401), a coal shoveling device (405), and a top coal caving hydraulic support working group (5). The coal flow-simulated coal gangue caving impact test is performed on the top coal caving hydraulic support working group (5) by means of a simulated mining pressure loading device (402) and a coal flow pressing device (403). The test system can achieve the vibration plate test of impact simulation of single-particle, multi-particle, and group-particle coal

gangue, and can also simulate the actual release of top coal caving and effectively obtain the data of the release test of top coal caving.



21: 2020/05984. 22: 2020/09/28. 43: 2021/10/26
 51: B01F; F16H
 71: MASCHINENFABRIK GUSTAV EIRICH GMBH & CO. KG
 72: BLAU, SIMON, SCHMITT, CLEMENS
 33: DE 31: 10 2018 106 188.9 32: 2018-03-16
54: DEVICE FOR CONVERTING A LINEAR MOVEMENT IN A STATIONARY SYSTEM INTO A ROTATIONAL MOVEMENT ABOUT A PIVOT AXIS IN A SYSTEM WHICH ROTATES ABOUT A ROTATIONAL AXIS

00: -
 The invention relates to a converting device for converting a linear movement in a stationary system into a rotational movement about a pivot axis (9) in a system which rotates about a rotational axis (8), wherein the pivot axis (9) and the rotational axis (8) are not identical and do not run parallel to each other. The converting device has a lifting element and a lifting device (12, 13), by means of which the lifting element can be moved in a translational manner relative to the stationary system, and the lifting element has a first (14) and a second lifting element part (15) which are connected together via a rotary bearing (16) such that the first lifting element part (14) can be rotated relative to the second lifting element part (15) about the axis of the rotary bearing (16). The two parts of the lifting element (14, 15) are connected together in a formfitting manner in the direction of the translational movement of the lifting device (12, 13). The first lifting element part (14) is connected to the lifting device (12, 13), and the second lifting element part (15) is connected to the converting device. The converting device is connected to a shaft (19, 19', 19'') positioned on the

pivot axis (9) such that a linear movement of the second lifting element part is converted into a rotational movement of the shaft (19, 19', 19'') about the pivot axis (9).

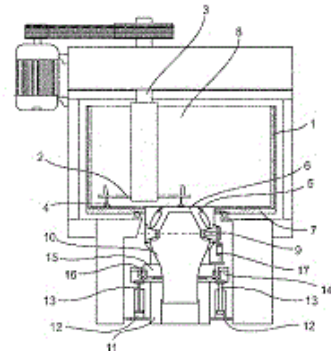
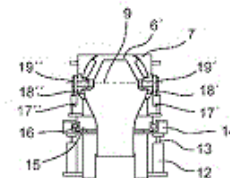
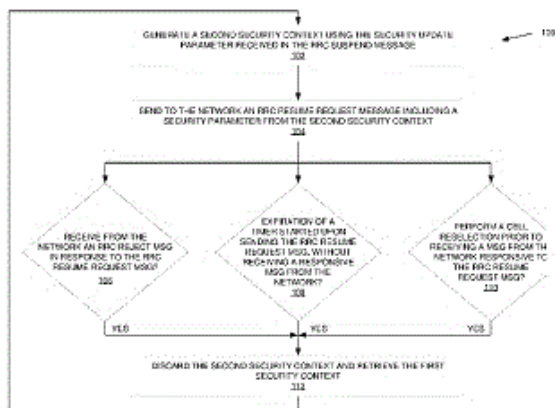


FIG. 1



21: 2020/05986. 22: 2020/09/28. 43: 2021/10/26
 51: H04W
 71: TELEFONAKTIEBOLAGET LM ERICSSON (PUBL)
 72: MILDH, GUNNAR, DA SILVA, ICARO L J
 33: US 31: 62/657,967 32: 2018-04-16
54: SECURITY HANDLING FOR RRC RESUME FROM INACTIVE STATE

00: -
 Methods are provided for a User Equipment, UE, (10) in NR RRC to revert back to an old security context if an RRC Resume procedure from an inactive state fails. In this way, any subsequent Resume attempts by the UE (10) will derive new security keys from the old keys, which means that the keys and security context will be the same for each attempt. In this way, the security context in the UE (10) will remain synchronized with the network security context, regardless of how many attempts the UE (10) has performed (assuming the network does not change the security context when the Resume procedure fails). Alternatively, the UE (10) may store the new security context it derives during the first Resume attempt, and then ensure that it is reused at subsequent Resume attempts.



21: 2020/06019. 22: 2020/09/29. 43: 2021/10/26
 51: G10K; F23R; F23C; F28G
 71: EXPLO ENGINEERING AG, MARTIN GMBH FÜR UMWELT- UND ENERGIETECHNIK, RÜEGG, HANS, HITACHI ZOSEN INOVA AG
 72: MÜLLER, PAUL, HERZ, HARALD
 33: EP 31: 18165013.6 32: 2018-03-29

54: DEVICE AND METHOD FOR PRODUCING PRESSURE WAVES OF HIGH AMPLITUDE

00: -
 A device for producing pressure waves of high amplitude, in particular for cleaning boilers, has a pressure-tight vessel (21, 40) comprising a burning chamber (121) introduced therein, which can be filled via feed lines with a flowable material that can be burned. The pressure-tight vessel has a discharge opening (306) for the directed discharge of gas pressure produced by ignition of the burnable material. A piston (70) closes the discharge opening, can release it for directed discharge and can be returned to the starting position by a spring means. The seat of the piston (70), with respect to its longitudinal direction (305), has a piston surface (302) which is inclined obliquely with respect to the discharge opening (306) and is arranged opposite a housing surface which is inclined likewise obliquely with respect to the discharge opening (306), wherein the housing surface (303) opposite the piston surface (302) opens with an angle (304) oriented towards the discharge opening (306) proceeding from a closure line (65) oriented perpendicular to the piston direction (90).

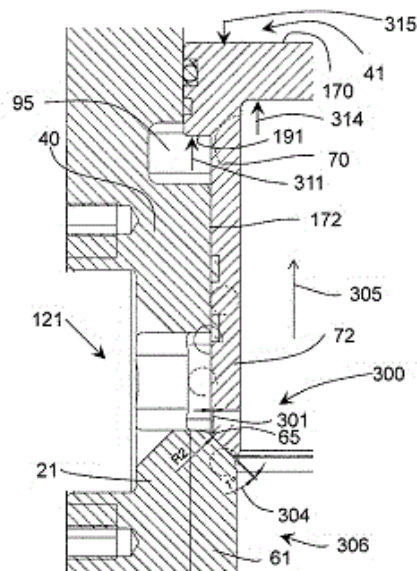


FIG. 14

21: 2020/06020. 22: 2020/09/29. 43: 2021/10/26
 51: C10G; B01D
 71: INNER MONGOLIA YITAI COAL-BASED NEW MATERIALS RESEARCH INSTITUTE CO., LTD.
 72: QIAN, ZHEN, WU, JINGWEI, ZHANG, XIAOLONG, ZHANG, JINGQUAN, LI, JUNCHENG, JIAN, QINGE
 33: CN 31: 201810713767.7 32: 2018-06-29

54: PRETREATMENT METHOD AND SYSTEM FOR FRACTION OIL FOR PRODUCTION OF ALKYL BENZENE

00: -
 Disclosed are a pretreatment method and system for a fraction oil for the production of alkylbenzene, the method comprising: adding a fraction oil, a weak base solution and an inorganic salt solution into a reactor, and leaving same to stand and layering same after the reaction is complete; adding water and an inorganic salt solution into an oil phase for washing with water; extracting same with a polar solvent having a high boiling point, and then adsorbing same with an adsorbent to separate oxygen-containing compounds in the neutral fraction oil; sending the extraction agent containing the oxygen-containing compounds to an extraction agent recovery unit; and then sending the neutral fraction oil to an alkylation reactor for a reaction.

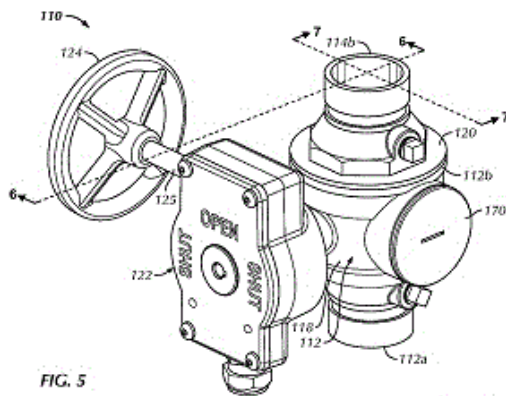
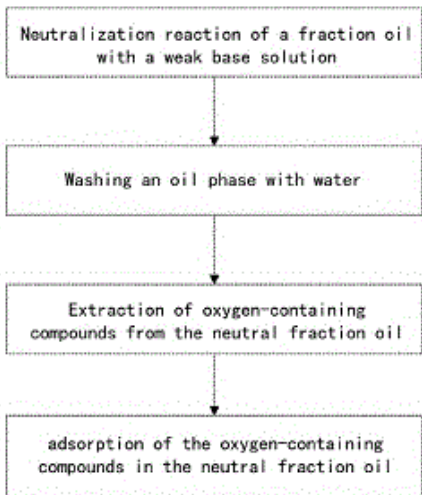


FIG. 5

21: 2020/06024. 22: 2020/09/29. 43: 2021/10/26
 51: F16K; A62C
 71: VICTAULIC COMPANY
 72: RINGER, YORAM, MEYER, STEPHEN J, FARRELL, GORDON, HUANG, FANG
 33: US 31: 62/649,680 32: 2018-03-29

54: COMBINATION CONTROL AND CHECK VALVE ASSEMBLY FOR A WET PIPING SYSTEM

00: -
 A combination control and check valve assembly for a wet piping system includes a control valve in the form of a ball valve and a one-way check valve mounted within the flow pathway of the ball valve. A valve actuation assembly is mounted to the valve assembly to selectively rotate the ball valve between the open and closed positions thereof. The valve actuation assembly is mounted to a first side of the valve assembly and rotationally fixed to the ball, whereby rotation of the valve actuation assembly rotates the ball between the open and closed positions. A side opening is formed in a second side of the valve assembly that is angularly spaced from the first side. The side opening is positioned to align with the fluid flow pathway of the ball valve in the closed position thereof to provide access to the check valve.

21: 2020/06043. 22: 2020/09/30. 43: 2021/10/26
 51: E02F; E05B
 71: CATERPILLAR INC.
 72: HARDER, CRAIG, WEBER, PAUL
 33: US 31: 62/469,027 32: 2017-03-09

54: POWER OPERATED LOCKING SYSTEM EARTH MOVING EQUIPMENT AND METHOD

00: -
 This invention concerns an adaptor for use with a power locking device. The adaptor comprises a body defining a longitudinal axis and a transverse axis that is normal to the longitudinal axis. The body includes a leading portion defining a lock receiving recess extending transversely at least partially through the leading portion. The leading portion defines at least one linear portion in the lock receiving recess that is configured to engage the power locking device.

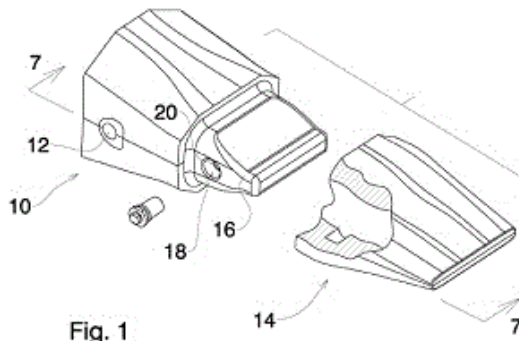


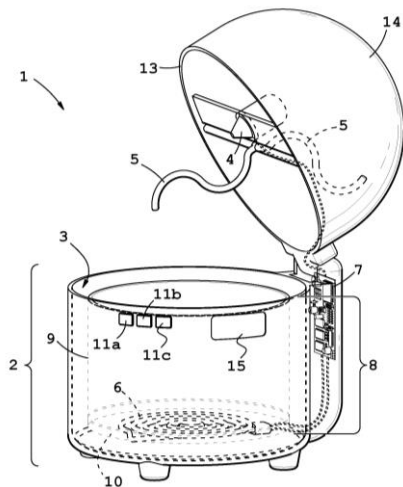
Fig. 1

21: 2020/06148. 22: 2020/10/05. 43: 2021/11/19
 51: A21B
 71: MASHAU, Thiambi Franklin
 72: MASHAU, Thiambi Franklin
 33: ZA 31: 2019/04362 32: 2019-07-03

54: COOKING APPARATUS

00: -

This invention relates to a cooking apparatus and more specifically, but not exclusively, to a cooking apparatus for cooking porridge. In accordance with the invention there is provided a cooking apparatus comprising a body with an internal cavity, mixing means integrally formed with the apparatus, a heating element at least partially located within the body, dispensing means for dispensing ingredients to the cavity, an electronic control unit for electronically controlling the heating element, mixing means, and dispensing means to cook the ingredients inside the cavity. It is envisaged that the invention will provide a cooking apparatus for cooking porridge which will alleviate the laborious and time-consuming efforts that are normally associated with preparing the dish.



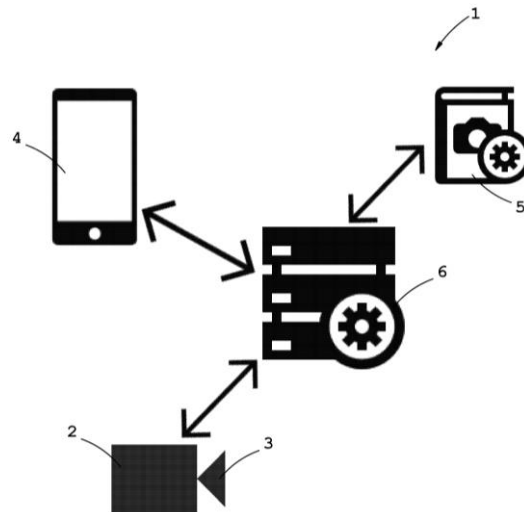
21: 2020/06243. 22: 2020/10/08. 43: 2021/11/19
 51: B60R; G06T
 71: DIVISION X (PTY) LTD
 72: HURDEEN, Rikash Ramrajh, HARRINGTON,
 Joshua Michael, UNSER, Evan James
 33: ZA 31: 2019/04542 32: 2019-07-11

54: VEHICLE MONITORING SYSTEM

00: -

This invention relates to a vehicle monitoring system and more specifically, but not exclusively, to a vehicle monitoring system for monitoring occupants of a vehicle. In accordance with the invention there is provided a vehicle monitoring system comprising a device which may be installed in the vehicle, the device including image capturing means for

capturing images of the vehicle's interior, an application running on a mobile device, the application including means of receiving notifications, an image processor for extracting information from an image captured by the device, and a central processing node for storing and retrieving information and performing actions based on the information wherein the node receives information extracted from the image from the image processor and sends a notification to the application if the information satisfies predetermined criteria.



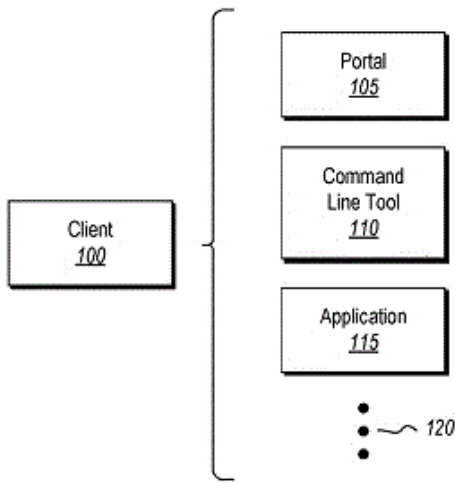
21: 2020/06249. 22: 2020/10/08. 43: 2021/10/20
 51: G06F
 71: MICROSOFT TECHNOLOGY LICENSING, LLC
 72: RUIZ-MERAZ, CESAR M, RAVIPATI, VENKATA
 RAJAGOPAL, KALYANA SUNDARAM,
 JAYARAMAN, MONGE, HILLARY CAITUIRO,
 HAMAD, ASHRAF, BANISADR, BAHRAM
 33: US 31: 62/666,477 32: 2018-05-03
 33: US 31: 15/991,350 32: 2018-05-29

54: INPUT AND OUTPUT SCHEMA MAPPINGS

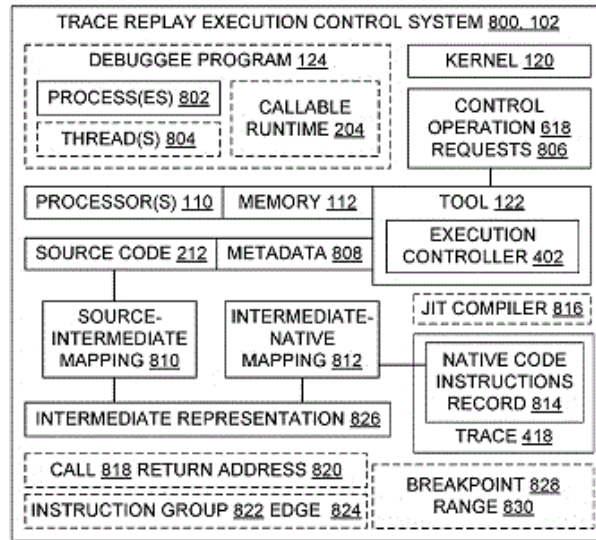
00: -

Optimizations are provided for interconnecting event sources with event subscribers in a seamless manner so that the native formatting/schema methodologies used by event sources and subscribers will not need to be natively modified. An event grid service is provided as a routing and mapping service. This event grid service receives event data that may be organized in any kind of format. By analyzing the format, the event grid service determines whether the format correlates

with a format used by a consumer of that event data. If the formats conform, then the event grid service extracts relevant data from the event data and pushes it to the subscriber. If the formats do not conform, the event grid service intelligently generates a mapping to map the two formats together.



control a replay execution of the trace. Aspects of familiar compilers or familiar runtimes may be re-purposed for innovative execution control which replays previously generated native code, as opposed to their established purpose of generating native code.



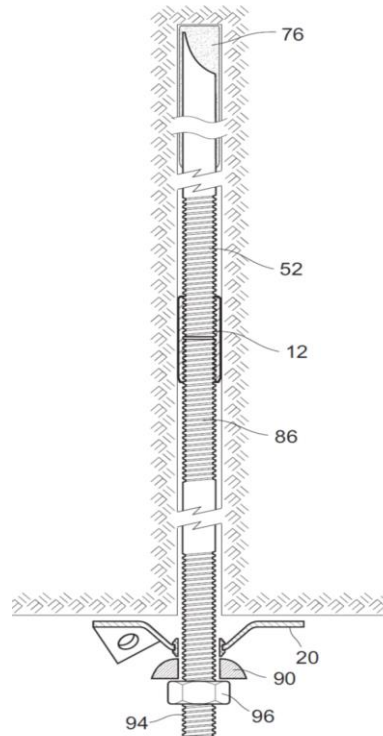
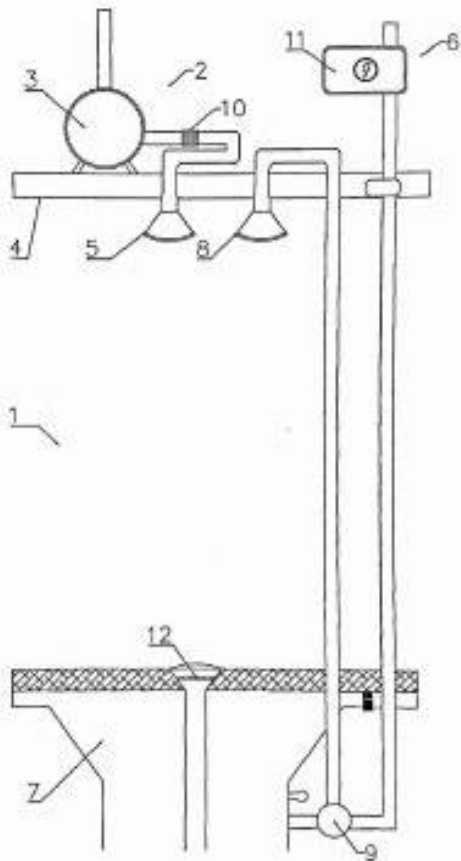
21: 2020/06250. 22: 2020/10/08. 43: 2021/10/20
 51: G06F
 71: MICROSOFT TECHNOLOGY LICENSING, LLC
 72: NELSON, PATRICK, DAVIS, JACKSON, MYERS, DEL, LAI, THOMAS, CHEN, DEBORAH, MOLA, JORDI, FALK, NOAH
 33: US 31: 15/969,721 32: 2018-05-02
54: EXECUTION CONTROL WITH CROSS-LEVEL TRACE MAPPING

00: -
 Described technologies aid execution control during replays of traced program behavior. Cross-level mapping correlates source code, an intermediate representation, and native instructions in a trace. The trace includes a record of native code instructions which were executed by a runtime-managed program. The trace does not include any executing instance of the runtime. Breakpoints are set to align trace locations with source code expressions or statements, and to skip over garbage collection and other code unlikely to interest a developer. A live debugging environment is adapted to support trace-based reverse execution. An execution controller in a debugger or other tool may utilize breakpoint ranges, cross-level mappings, backward step-out support, and other items to

21: 2020/06489. 22: 2020/10/19. 43: 2021/11/19
 51: A47K; E03C
 71: MARE, Jeremias, Jesajas, Jacobus
 72: MARE, Jeremias, Jesajas, Jacobus
 33: ZA 31: 2018/01971 32: 2018-03-26
54: WASHING UNIT

00: -
 A passive water-and-energy saving washing unit is provided having a first shower sub-assembly and a second shower sub-assembly. The first shower sub-assembly comprises a first water reservoir, for holding a predetermined volume of water for washing at least part of a body, a water heater, for heating water for the first water reservoir, and a shower head, in fluid communication with the first water reservoir for receiving water from the reservoir and providing water spray on the body part. The second shower sub-assembly comprises a second, grey water reservoir, for collecting the sprayed water from the first shower head and running off the body part, a shower head, in fluid communication with the second water reservoir for receiving the water from the reservoir and providing water spray on the body part, and a water pump, for pumping the water from the second water reservoir to the second shower head. A corresponding kit and a method for washing

at least part of body with a washing unit are also provided.

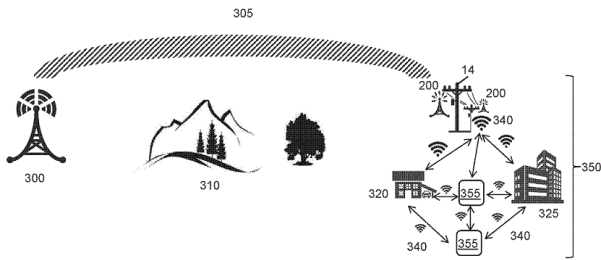


21: 2020/06788. 22: 2020/10/30. 43: 2021/11/19
 51: E21D
 71: RSC MINING (PTY) LTD
 72: CRONJÉ, FRANS HERMANUS
 33: ZA 31: 2019/06750 32: 2019-10-14
54: ROCK BOLT
 00: -

This invention relates to a rock bolt, rock bolt assembly and rock bolt component, of a kind which is suitable for use in an underground excavation in order to stabilise or reinforce a rock formation. The rock bolt component comprises a tubular coupling and a load-spreading washer which is fixed to the coupling and movable relative to the coupling by the application of a force in excess of a predetermined value which acts between the washer and the coupling.

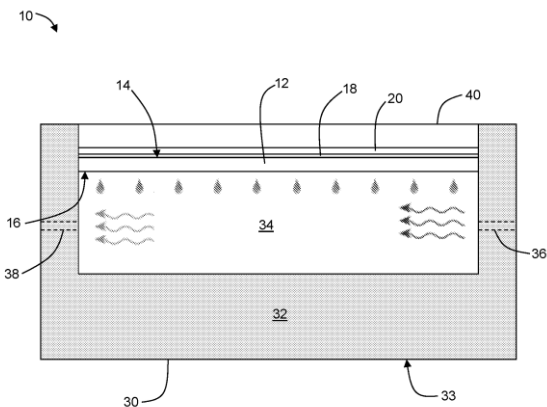
21: 2020/06839. 22: 2020/11/02. 43: 2021/10/08
 51: H04W G01D H04Q
 71: DELTA ENERGY & COMMUNICATIONS, INC.
 72: TEICHMANN, Keith
 33: US 31: 62/651,580 32: 2018-04-02
54: MESH NETWORK DATA TRANSFER USING A HYBRID TV WHITE SPACE, WI-FI AND ADVANCED METERING INFRASTRUCTURE
 00: -

An apparatus and system are provided that provide advanced metering infrastructure and transformer monitoring operations in a smart grid and a wireless mesh network with a television white space (TVWS) backhaul to provide Internet connectivity to consumer devices. A transformer monitoring device receives signaling comprising utility usage data from one or more smart meters in a smart grid, monitors the transmission of electricity from a transformer to the buildings in the smart grid, and establishes a wireless mesh network to provide Internet connectivity to the one or more smart meters and to user devices. The apparatus receives a TVWS signal from a broadcast source, and converts the TVWS signal to a radio frequency or Wi-Fi signal, for transmission to the one or more smart meters and/or user devices to establish the wireless mesh network with a TVWS backhaul.



21: 2020/06878. 22: 2020/11/04. 43: 2021/10/15
 51: C23C; F25B; F25D
 71: THE RESEARCH FOUNDATION FOR THE STATE UNIVERSITY OF NEW YORK, WISCONSIN ALUMNI RESEARCH FOUNDATION
 72: GAN, Qiaoqiang, SONG, Haomin, YU, Zongfu, ZHOU, Ming
 33: US 31: 62/652,886 32: 2018-04-04
54: SYSTEMS AND METHODS FOR PASSIVE COOLING AND RADIATOR FOR SAME
 00: -

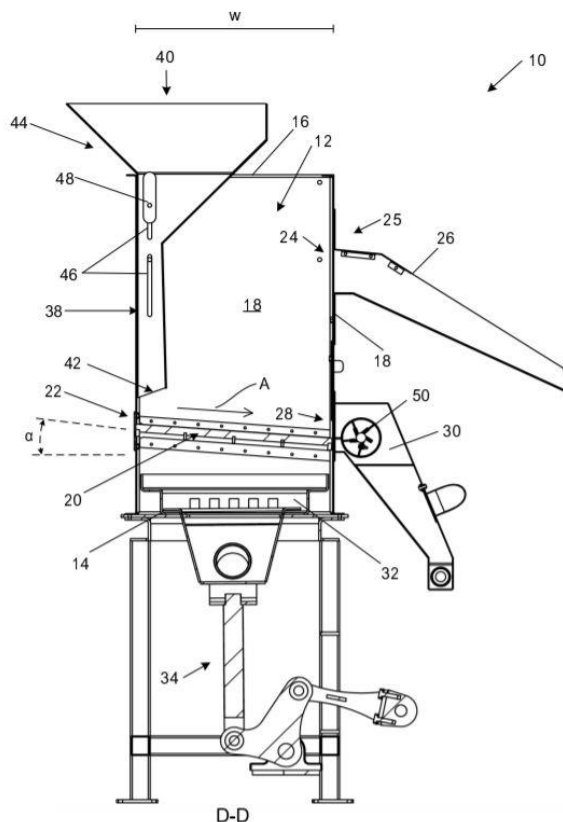
Disclosed herein are systems and methods for passively cooling water vapor to enable efficient condensation, and methods of making such systems. A passive cooler can include a thermally conductive substrate having a first side and a second side opposite the first side, a coating disposed on at least a portion of the first side of the substrate, and a housing having one or more insulative walls. The insulative walls may define a vapor flow channel from an inlet to an outlet of the housing such that the second side of the substrate is exposed to water vapor flowing through the vapor flow channel.



21: 2020/06955. 22: 2020/11/09. 43: 2021/10/27
 51: B03B

71: PULSATING JIGS INTERNATIONAL (PTY) LTD
 72: VERMEULEN, Johannes Jacobus
 33: ZA 31: 2018/05502 32: 2018-08-17
54: A SEPARATION APPARATUS AND METHOD
 00: -

A separation apparatus and method for separating ore is provided. The separation apparatus includes a separation chamber and is configured to be utilised with a fluid pulsing mechanism for operatively pulsating a fluid through ore deposited in the chamber resulting in the migration of generally lighter ore particles toward an upper region of the chamber and for generally heavier particles to migrate toward a bottom region of the chamber. The ore is deposited by means of a chute in the bottom region of the chamber and the lighter ore particles may then be extracted from the chamber through a first chamber outlet while the heavier particles may be extracted through a second chamber outlet.



21: 2020/07010. 22: 2020/11/11. 43: 2021/10/08
 51: G01N
 71: ALIFAX S.R.L.
 72: GALIANO, Paolo
 33: IT 31: 10201800004630 32: 2018-04-17

54: APPARATUS AND METHOD TO DETERMINE ERYTHROCYTE SEDIMENTATION RATE AND OTHER CONNECTED PARAMETERS

00: -

Apparatus and corresponding method used, in the field of medical analysis, to determine erythrocyte sedimentation rate, as well as other connected parameters, said apparatus comprising: a sampling member (11) to take the blood sample to be analyzed disposed in test tubes (22); - a pipe (12) inside which the blood sample is able to be introduced, transparent to electromagnetic radiations in a field comprised between 100 and 2000 nm; - a circuit (13) that connects said sampling member (11) to said pipe (12) and inside which the blood sample circulates; - a pump (14) associated with said circuit (13) and cooperating with means to create an air bubble between two successive blood samples; - a discharge pipe (15) to discharge the blood sample after the analysis; - a measuring instrument comprising a radiation emitter device (16) associated with a mating detector device (17), together defining a measuring zone; - a control and processing unit (20) able to manage the functioning of said apparatus, and - an interface unit (18) by means of which said devices (16 and 17) are connected to said control and processing unit (20), wherein said pump (14), with each measuring cycle, is configured to take a quantity of blood in a range from 30 microliters to 180 microliters, and wherein said measuring instrument is configured to perform the measurement on a quantity equal to about 1 final microliter of said initial sample quantity, the apparatus also comprising means (23) to make the test tubes (22) rotate or tilt before the sampling in order to perform programmed mixing cycles of the blood contained in the test tubes (22), wherein said sampling member comprises means (11, 11 a) to take the blood sample from the test tubes (22) both oriented with the stopper facing upward and also oriented with the stopper facing downward.

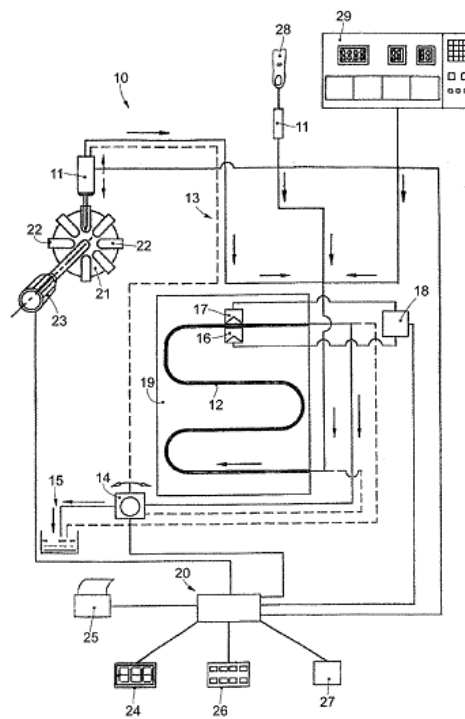


fig. 1

21: 2020/07528. 22: 2020/12/03. 43: 2021/11/11
51: A01G

71: Institute of Resource Insects, Chinese Academy of Forestry

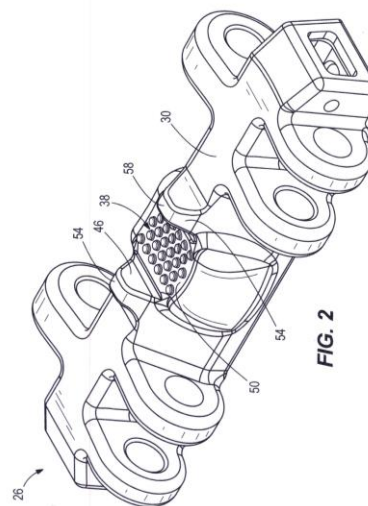
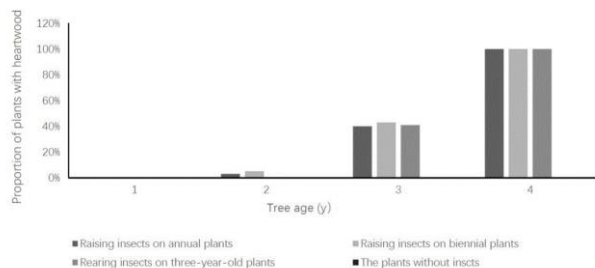
72: Bingyi Wang, Lei Shi, Jiang Deng, Ting Du, Mengxue Li, Fuxian Xia

54: PLANTING METHOD TO PROMOTE FORMATION OF THE DALBERGIA SISSOO DC. HEARTWOOD

00: -

Dalbergia sissoo DC. heartwood has economic values of medicinal use, wood use and the like; the heartwood yield is a main index pursued in the Dalbergia sissoo DC. planting process. At present, people mainly promote heartwood formation by methods such as drought stress, chemical stimulation and mechanical damage, but the stimulation effect is poor due to difficulty in controlling stimulation strength and in persisting for long term, slow reaction speed, and prone to cause mechanical damage. The invention makes full use of characteristics of the Dalbergia sissoo DC. as a superior host of the lac insect and the principle of interaction between insects and host plants, combines the change of main characteristic chemical substances in the formation of heartwood,

scientifically and reasonably utilizes the relationship between the lac insect and its host plant, Dalbergia sissoo DC., and promotes the formation of the Dalbergia sissoo DC. heartwood by properly stocking lac insects. The method has the main advantages that 1) the wood quality is not influenced; 2) the stimulation conduction speed is high, and the effect is obvious; 3) the action intensity is controllable; 4) the stimulation effect can be detected and the stimulation intensity can be adjusted according to the effect.

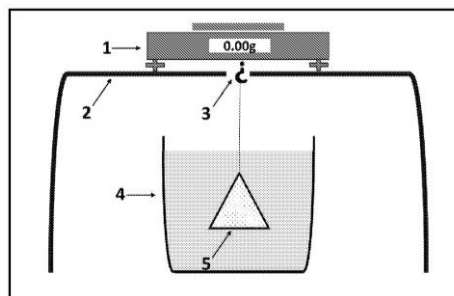


21: 2020/07557. 22: 2020/12/04. 43: 2021/10/08
 51: E21C
 71: JOY GLOBAL SURFACE MINING INC.
 72: GROSS, Matthew L., HUTSICK, James M., WIRKUS, Joseph J., SEVERSON, Josh, PEDRETTI, Ethan
 33: US 31: 62/947,109 32: 2019-12-12
54: SHOE TRIMMING TOOL
 00: -

A mining machine includes a frame having a guide rail, the guide rail having a central portion. The mining machine also includes a shoe having a recessed area that defines a roller path, the shoe further having a drive lug, wherein the central portion of the guide rail is configured to be disposed within the recessed area. The mining machine also includes a cutting tool coupled to the frame and positioned such that the cutting tool is configured to abrasively remove material from the drive lug as the drive lug passes by the cutting tool.

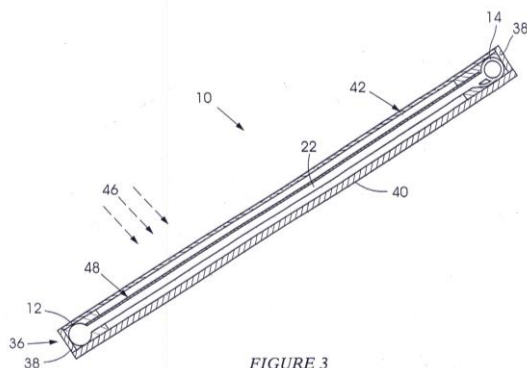
21: 2020/07581. 22: 2020/12/04. 43: 2021/11/19
 51: A01N; C02F
 71: BLUEGREEN WATER TECHNOLOGIES LTD.
 72: HAREL, Moshe, BEREZIN, Oleg Yu.
 33: IL 31: 264657 32: 2019-02-05
54: COMPOSITIONS FOR CONTROLLING PHYTOPLANKTON CONTAMINATION
 00: -

A composition for mitigating, inhibiting, ameliorating and / or eliminating phytoplankton growth in a waterbody, the composition comprising an active ingredient at concentration of 80.0-99.5% (w / w) of the composition and a coating material at concentration of 0.5-20% (w / w) of the composition; wherein the critical surface tension of the composition is between 15-60 dyn / cm and wherein the relative density of the composition, prior to being submerged in water, is above 1 g / cm³.



21: 2020/07648. 22: 2020/12/08. 43: 2021/12/09
 51: F24D; F24S
 71: HOLDER, Etienne
 72: HOLDER, Etienne
54: SOLAR HEATING SYSTEM

00: -
 A solar heating system for use with a storage tank, the system comprising a first manifold, a second manifold which includes an inner tube and an outer tube, a jacket which is formed between opposed surfaces of the inner tube and the outer tube and which is connectable to the storage tank, a plurality of riser tubes which extend between the first manifold and the second manifold, and which in use are inclined upwardly to the second manifold, and a fluid within at least the first manifold, wherein the fluid when heated by solar radiation evaporates and releases vapour into the tubes, which vapour condenses in the jacket to transfer heat energy into the inner tube.



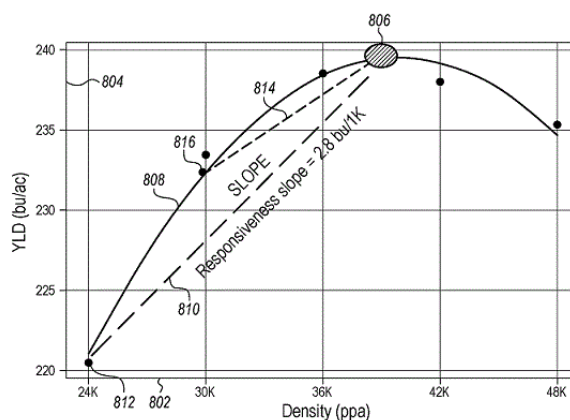
21: 2020/07723. 22: 2020/12/10. 43: 2021/10/06
 51: C08F; C08K; C08L
 71: LUMMUS NOVOLEN TECHNOLOGY GMBH
 72: NEIDHÖFER, Michael, JÖRRES, Volker Heinrich
 33: EP 31: 18176724.5 32: 2018-06-08
54: PROPYLENE COPOLYMER COMPOSITIONS SUITABLE FOR FOAMING

00: -
 The disclosure relates to a method for producing a propylene copolymer, comprising extruding a molten propylene copolymer and a composition essentially comprising at least one peroxydicarbonate and at least one organic peroxide. Extruding is performed by extruding the propylene copolymer, adding the composition to the propylene copolymer, and melt extruding the propylene copolymer in the presence of the composition.

21: 2020/07742. 22: 2020/12/11. 43: 2021/10/08
 51: G06Q

71: THE CLIMATE CORPORATION
 72: DHARNA, Jyoti, JACOBS, Morrison, ZENG, Beiyan, TRAPP, Allan
 33: US 31: 15/989,944 32: 2018-05-25
54: CROSS-GROWER STUDY AND FIELD TARGETING

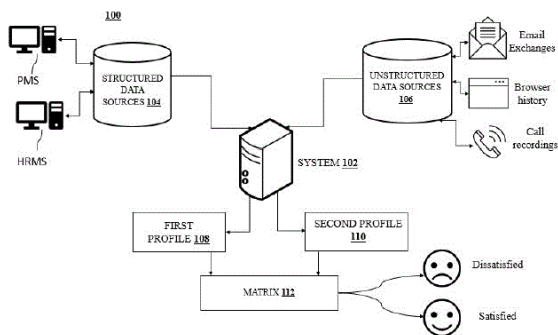
00: -
 A computer-implemented method of targeting grower fields for crop yield lift is disclosed. The method comprises receiving, by a processor, crop seeding rate data and corresponding crop yield data over a period of time regarding a group of fields associated with a plurality of grower devices; receiving, by the processor, a current seeding rate for a grower's field associated with one of a plurality of grower devices; determining, whether the grower's field will be responsive to increasing a crop seeding rate for the grower's field from the current seeding rate to a target seeding rate based on the crop seeding rate data and corresponding crop yield data; preparing, in response to determining that the grower's field will be responsive, a prescription including a new crop seeding rate and a specific hybrid to be implemented in the grower's field.



21: 2020/07805. 22: 2020/12/15. 43: 2021/10/15
 51: G06N; G06Q
 71: Zensar Technologies Limited
 72: KISHORE, Sandeep, S M, Hari Eswar, CHAURASIA, Aishwarya, SAWHNEY, Richa, SOMANI, Shree Krishna
 33: IN 31: 201921053186 32: 2019-12-20
54: A METHOD AND A SYSTEM FOR IDENTIFYING SENTIMENTS OF EMPLOYEE TOWARDS AN ORGANIZATION

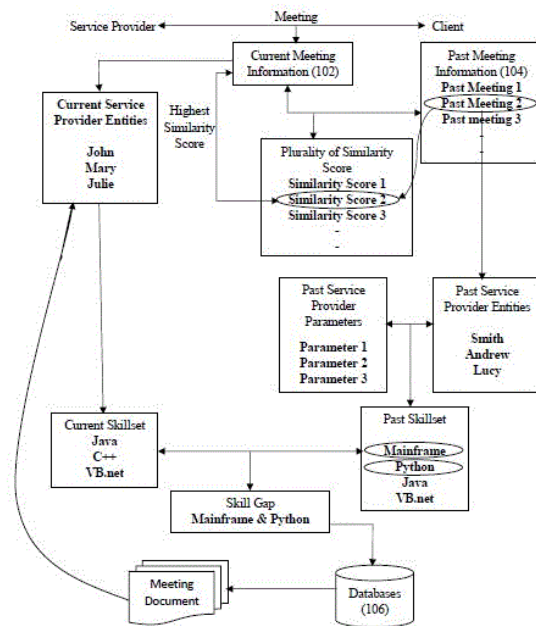
00: -
 A method and system for determining sentiment of an employee towards an organization comprises

extracting structured and unstructured data from one or more structured data sources (104) comprising structured datapoints and one or more unstructured data sources (106) comprising unstructured datapoints. The method comprises building regression model (224) on the plurality of structured datapoints to determine a relationship of structured datapoints amongst the structured datapoints, creating a first profile (108) of the employee based on said relationship, creating a second profile (110) of the employee by selecting one or more words from each unstructured datapoints by using a prestored vocabulary (226), assigning one or more scores, corresponding to said words, in context of corresponding each of the unstructured datapoints. Method comprises generating a matrix (112) based on the first profile (108) and the second profile (110) indicating sentiments of employee towards organization.



information. The system identifies a past meeting information with highest similarity score and a set of past service provider entities from the past meeting information. The system identifies a past skillset based on a set of past service provider parameters associated with the set of past service provider entities and correlates the past skillset with a current skillset associated with at least one current service provider entity to identify a skill gap, between the past and current skillsets. The system extracts and facilitates meeting content to the at least one current service provider entity for attending the meeting based on the identified skill gap.

100



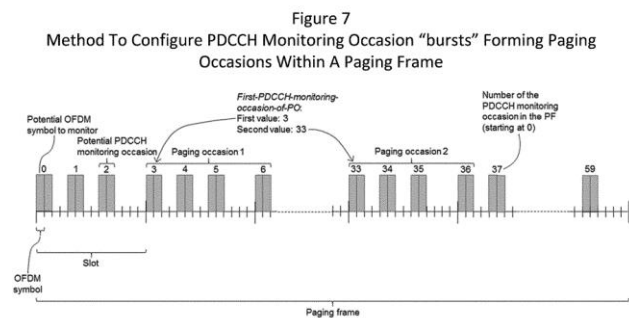
21: 2020/07806. 22: 2020/12/15. 43: 2021/10/15
 51: G06N; G06Q
 71: Zensar Technologies Limited
 72: KISHORE, Sandeep, KULKARNI, Sumant, AGRAWAL, Shikhar, S M, Hari Esvar, CHAURASIA, Aishwarya, SAWHNEY, Richa, SOMANI, Shree Krishna
 33: IN 31: 201921052195 32: 2019-12-16
54: A SYSTEM AND A METHOD FOR FACILITATING MEETING CONTENT FOR ATTENDING A MEETING

00: -
 A system and a method for facilitating meeting content to be referred for attending a meeting. The system receives a current meeting information associated with the meeting. The system computes similarity scores corresponding to a plurality of past meeting information against the current meeting

21: 2020/07821. 22: 2020/12/15. 43: 2021/10/08
 51: H04W
 71: TELEFONAKTIEBOLAGET LM ERICSSON (PUBL)
 72: RUNE, Johan, PERSSON, Claes-Göran
 33: US 31: 62/688,319 32: 2018-06-21
54: PROVISION OF DISTRIBUTED PAGING OCCASIONS

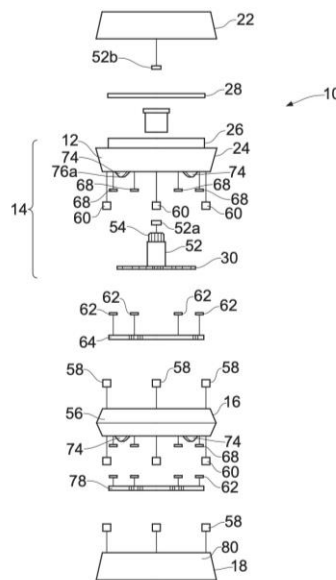
00: -
 According to some embodiments, methods are provided to operate a base station of a wireless communication network. For example, parameters may be generated that define a plurality of potential PDCCH monitoring occasions and that define a plurality of paging occasions, wherein each one of

the plurality of paging occasions includes a respective subset of the plurality of potential PDCCH monitoring occasions, wherein consecutive paging occasions are spaced apart in time with at least one of the potential PDCCH monitoring occasions therebetween not being included in any of the plurality of paging occasions. The parameters are transmitted over a radio interface to a wireless device. Related methods of operating wireless devices, related base stations, and related wireless devices are also discussed.



21: 2021/00320. 22: 2021/01/15. 43: 2021/10/18
 51: B02C
 71: HØJ LIFE LIMITED
 72: Simon Villum Folmann, Matias Taul Hansen
 33: GB 31: 1809968.9 32: 2018-06-18
54: ORGANIC-MATTER FRAGMENTATION APPARATUS

00: -
 An organic-matter holding chamber (16) is provided for holding organic-matter in a handheldable organic-matter fragmentation apparatus (10), the chamber(16) comprising a first chamber part (56) having a first magnetic member (58) and a second chamber part (24) having angularly offset second and third magnetic members (60, 62). The first and second chamber parts (56, 24) are rotatable relative to each other to adopt locked and unlocked conditions. When the chamber (16) is in the locked condition, the first and second magnetic members (58, 60) face each other so as to magnetically attract. The first and third magnetic members (58, 62) being positionable via angular displacement of the first and second chamber parts (56, 24) to magnetically repel thereby biasing the first and second chamber parts (56, 24) away from each to adopt the unlocked condition.



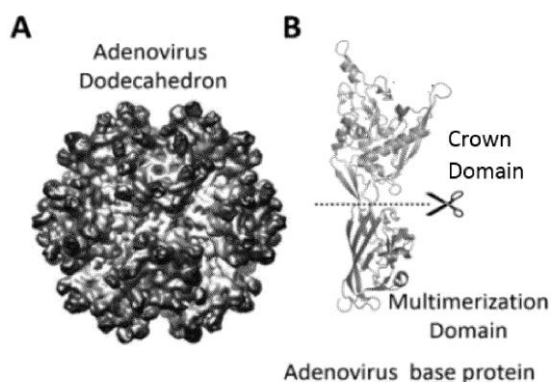
21: 2021/00342. 22: 2021/01/18. 43: 2021/11/19
 51: D06M
 71: CHEN, Xia
 72: CHEN, Xia
54: FABRIC FOR PREVENTING HIGH BLOOD PRESSURE

00: -
 A fabric for preventing high blood pressure, which is impregnated with traditional Chinese medicine impregnation solution for preventing high blood pressure in the process of fabric preparation. The traditional Chinese medicine impregnation solution consists of codonopsis pilosula, raw atractylodes macrocephala, prepared common monkshood daughter root, eucommia, roasted licorice, Euphorbea lactea, concha ostreae, and margaritifera concha.

21: 2021/00621. 22: 2021/01/28. 43: 2021/11/04
 51: A61K; C07K; C12N
 71: IMOPHORON LTD.
 72: GARZONI, Frédéric
 33: EP 31: 18186731.8 32: 2018-07-31
54: MULTIMERIZING POLYPEPTIDES DERIVED FROM JELLY ROLL FOLD DOMAIN OF ADENOVIRUS PENTON BASE

00: -
 The present invention relates to the design and the production of a novel polypeptide scaffolds for optimized presentation of oligopeptides, polypeptide sequences, protein domains, proteins and protein complexes made up of two, several or many

subunits. These oligopeptides, polypeptide sequences, protein domains and proteins presented by the polypeptide scaffolds of the invention can include antigenic entities that stimulate the immune system to trigger an immune response, for example for vaccination purposes, or for preparing antibodies or other binder molecules in cell culture, or in vitro in a test tube. In a preferred embodiment, the polypeptides of the invention are assembled into Virus Like Particles (VLPs) optimized for presentation of antigens useful in the context of vaccination against infectious agents or tumors.

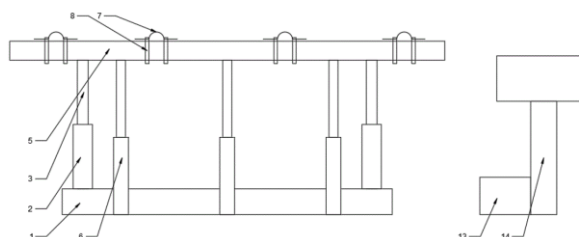


21: 2021/00712. 22: 2021/02/02. 43: 2021/11/19
 51: A63B
 71: Huaihua University
 72: Xiaojun Hu

54: LEG PRESS DEVICE FOR DANCE EXERCISE
 00: -

The invention discloses a leg press device for dance exercise, which includes support base, support legs are installed on the support base, and telescopic legs are installed on the support legs, leg press frame is installed on the telescopic legs, the leg press frame is wrapped with soft protective layer, and telescopic handrails are also installed on the leg press frame, there are also detachable leg straps on the leg press frame, the detachable leg straps include fixed frames on both sides, one end of the fixed frames is provided with hinge joints, and the end away from the hinge joints is installed with limit clips, fixed joints are installed on one side of the hinge joints, and strap fixed buckles are provided on the fixed joints. Compared with the prior art, the present invention has the advantage that it can be adjusted effectively according to the height of the

user, avoiding the problem that the traditional leg press frame has only one height, and it also adds hand bars, leg press cushion and leg straps, which will bring good user experience during use, only one person can also perform leg press exercises, which has a good market prospect.

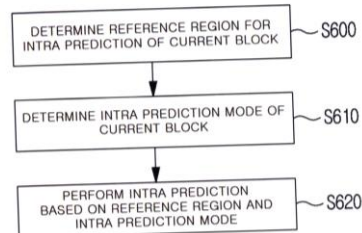
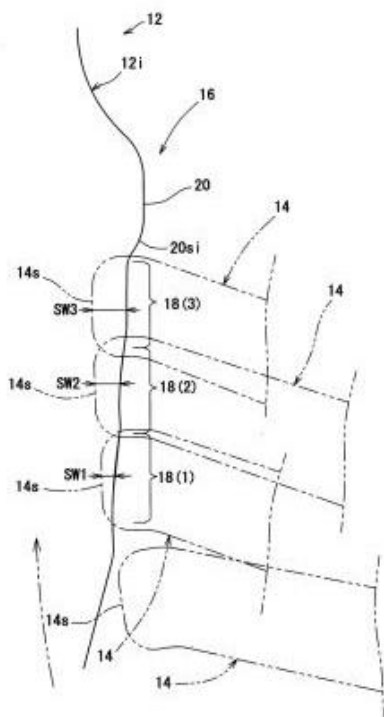


21: 2021/00845. 22: 2021/02/08. 43: 2021/09/08
 51: A47C
 71: OKUMURA ENGINEERING corp.
 72: TOKUYA Yasuhiro
 33: JP 31: JP2020-125325 32: 2020-07-22

54: INNER CIRCUMFERENCE SEALING STRUCTURE, SEAT STRUCTURE, AND VALVE
 00: -

An object of the invention of the present application is to provide an inner circumference sealing structure, a seat structure, and a valve, which are capable of reducing operating torque for closing a valve body. An inner circumference sealing structure 16, which is provided on a seat ring 12 of a butterfly valve 10, swells from an inner circumferential surface 12i of the seat ring 12, and allows an outer circumferential surface 14s of a valve body 14 to abut thereagainst, the valve body 14 being to be applied with fluid pressure, is configured by including: a first sealing surface 18(1) that allows the outer circumferential surface 14s of the valve body 14 to abut thereagainst and stop there; an engaging convex portion 20 that restricts rotation of the valve body 14; and an engaging sealing surface 18(3) that allows the outer circumferential surface 14s to abut thereagainst and stop there, in which the inner circumference sealing structure 16 is configured so that the first sealing surface 18(1), the engaging sealing surface 18(3), and the engaging convex portion 20 are arranged in this order in a direction in which the outer circumferential surface 14s of the valve body 14 moves by the rotation of the valve body 14, and is configured so that the engaging

sealing surface 18(3) has a larger sealing amount than the first sealing surface 37 18(1).



21: 2021/01431. 22: 2021/03/02. 43: 2021/11/11
51: H04N

71: B1 INSTITUTE OF IMAGE TECHNOLOGY
72: KIM, Ki Baek

33: KR 31: 10-2018-0107250 32: 2018-09-07

33: KR 31: 10-2018-0110815 32: 2018-09-17

33: KR 31: 10-2018-0112528 32: 2018-09-19

54: METHOD AND DEVICE FOR CODING/DECODING IMAGE USING INTRA PREDICTION

00: -

A method and a device for encoding/decoding an image according to the present invention may determine a reference region for intra prediction of a current block, derive an intra prediction mode of the current block on the basis of a predetermined MPM candidate group, and perform intra prediction on the current block on the basis of the reference region and the intra prediction mode.

21: 2021/01780. 22: 2021/03/17. 43: 2021/10/14
51: C07H

71: ATEA PHARMACEUTICALS, INC.

72: MOUSSA, ADEL, SOMMADOSSI, JEAN-PIERRE

33: US 31: 62/384,664 32: 2016-09-07

54: 2'-SUBSTITUTED-N6-SUBSTITUTED PURINE NUCLEOTIDES FOR RNA VIRUS TREATMENT

00: -

The use of described compounds or pharmaceutically acceptable salts or compositions thereof for the treatment of a host infected with a Flavivirus, Dengue fever, West Nile fever, Yellow fever, Zika virus, or Japanese encephaliti.

21: 2021/01844. 22: 2021/03/18. 43: 2021/11/25
51: E04C; E06B

71: GERE, James Warren, SMITH, Michelle Joy

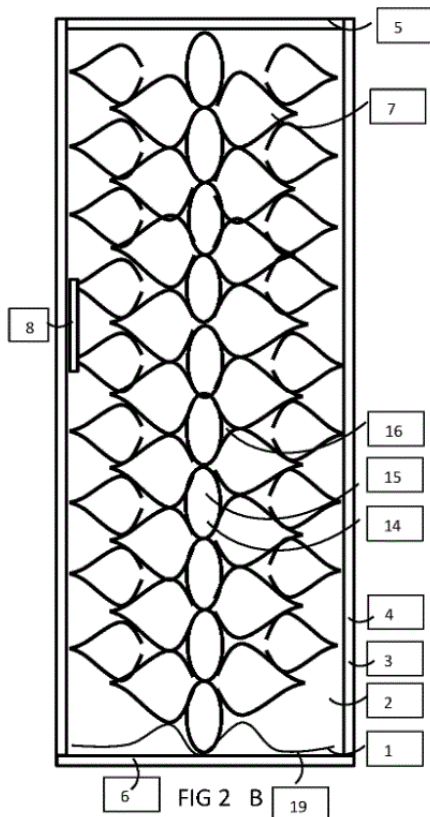
72: GERE, James Warren, SMITH, Michelle Joy

33: ZA 31: 2018/04990 32: 2018-07-25

54: CORE AND METHOD FOR AUTOMATED HOLLOW DOOR AND PANEL ASSEMBLY

00: -

This invention relates to a core for hollow door manufacture comprising a method whereby the mechanical arrangement of the core glue applicators produces multi sized closed cell filler material once severed and expanded wherein a combination of both contracting and expanding cells presents as a centrally aligned column of contracting cells while other cells expand utilizing adhesively affixed non rigid flexible single face corrugated material.



production capacity of the device is increased from 300,000 tons per year to 600,000 tons per year.

21: 2021/02882. 22: 2021/04/29. 43: 2021/11/04
51: A47J

71: JOMA KUNSTSTOFFTECHNIK GMBH

72: FRIES, Rudolf

33: AT 31: A 51128/2018 32: 2018-12-18

54: GRINDING MILL HAVING CONVEXLY CURVED MILLING PROJECTIONS

00: -

The invention relates to a grinding mill (15) for grinding seasonings, particularly salt, with a stator (1) and a rotor (11) which is rotatably mounted and arranged concentrically with respect to said stator, wherein the stator (1) and the rotor (11) have, in at least some sections, milling projections (2) which are convexly curved in cross-section and the surfaces of which are devoid of discontinuities.

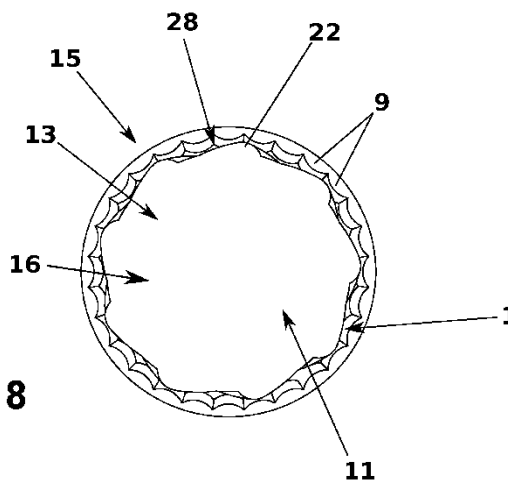


Fig. 8

21: 2021/02647. 22: 2021/04/21. 43: 2021/12/08
51: B01J; C07C

71: YANKUANG LUNAN CHEMICALS CO., LTD.

72: LIU, Qiang, ZHANG, Zhiwei, LI, Zhiyuan, LU,

Yiwu, ZHAO, Yuedong, ZHAO, Yang, WANG,

Jinbing, WU, Jinfeng, SHI, Fengfeng, LI, Tao

33: CN 31: 201811224192.9 32: 2018-10-19

54: PRODUCTION DEVICE AND PRODUCTION METHOD FOR SYNTHESIZING ACETIC ACID BY LOW-PRESSURE CARBONYLATION OF METHANOL

00: -

Disclosed are a production device and production method for synthesizing acetic acid by low-pressure carbonylation of methanol. In the present invention, the configuration of a fluid stirring device changes the situation that a mechanical stirring shaft seal and a transmission device are easy to damage in an operation process, eliminates dynamic seal points, and greatly improves the safe and stable operation of a system. At the same time, by matching with a CO distributor, the CO gas distribution in a reactor is more uniform, the gas-liquid two-phase mixing effect is improved, the reaction rate is increased, the reaction state of the system is optimized, and the

21: 2021/03340. 22: 2021/05/18. 43: 2021/11/25
51: C08L

71: GUIZHOU INSTITUTE OF MATERIALS
INDUSTRY TECHNOLOGY

72: SUN, Jing, HUANG, Anrong, SHI, Min, LUO,
Shanshan, JIANG, Tuanhui

54: HIGH-MELT-STRENGTH POLYPROPYLENE MATERIAL AND PREPARATION METHOD AND APPARATUS THEREOF

00: -

Disclosed is a high-melt-strength polypropylene material and a preparation method and apparatus thereof. The polypropylene material includes 70-98 parts by mass of polypropylene matrix, 2-30 parts by mass of fiber forming phase, 1-9 parts by mass of

compatilizer and 0.1-0.5 part by mass of antioxidant. The polypropylene material, the fiber forming phase, the compatilizer and the antioxidant are directly added into an extruder in a micro-nano cascading extrusion apparatus for extrusion, and by virtue of further stretching after strong shear action and extrusion of a layer multiplier in a polymer micro-nano cascading co-extrusion apparatus, microfibers formed by the fiber forming phase are uniformly dispersed in the polypropylene matrix material, the microfibers are long and small in diameter that reaches a nano level. The slender microfibers can be intertwined with polypropylene molecular chains to form a physical network, thereby improving the melt strength and the foaming property of the polypropylene material.

21: 2021/03414. 22: 2021/05/20. 43: 2021/11/25
51: A61B

71: SHANDONG UNIVERSITY

72: JIANG, Qi, DONG, Xin

33: CN 31: 2020109155696 32: 2020-09-03

54: FLEXIBLE PULSE DIAGNOSIS HAND AND TRADITIONAL CHINESE MEDICINE PULSE DIAGNOSIS INSTRUMENT

00: -

A flexible pulse diagnosis hand includes a plurality of flexible fingers, and one end of each flexible finger is connected with each other to form a wrist joint part; an air chamber is arranged in the flexible finger, and the flexible finger is controlled to bend by inflating and deflating the air chamber; an airbag is fixed between adjacent flexible fingers, and the distance between the flexible fingers is adjusted by inflating and deflating the airbag; and a plurality of fiber Bragg gratings connected in series are arranged in the flexible finger.

21: 2021/03475. 22: 2021/05/21. 43: 2021/12/08
51: H01M

71: MONASH UNIVERSITY

72: SHAIBANI, Mahdokht, MAJUMDER, Mainak

33: AU 31: 2018904381 32: 2018-11-12

54: METHOD OF PRODUCING THICK SULPHUR CATHODES FOR LI-S BATTERIES

00: -

A method of producing Sulfur cathodes for Li-S batteries utilising dry mixing of constituents (sulphur, carbon and binder) or semi-dry mixing. The resultant structure binds the neighbouring particles without

covering them, i.e. by attaching a few parts of a particle to other neighbouring particles provides a solution for the successful cycling of thick and ultra-thick sulfur cathodes. Such an approach provides a robust thick cathode where particles are strongly bonded with minimal surface coverage with the polymer providing sufficient room to expand during lithiation. Bridging bonds are formed within the cathodes.

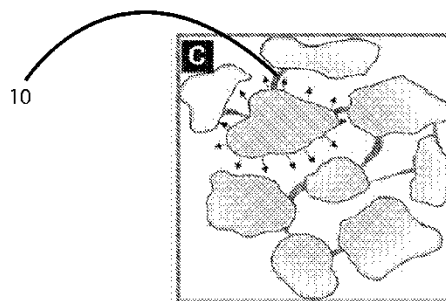


Figure 1C

21: 2021/03843. 22: 2021/06/04. 43: 2021/11/04
51: G06F

71: Anhui University of Science and Technology

72: XU, Xiaohui, YANG, Liuyin

54: AUXILIARY DEVICE FOR THREE-DIMENSIONAL MODEL RECONSTRUCTION OF PALEONTOLOGICAL FOSSIL

00: -

The present invention discloses an auxiliary device for three-dimensional model reconstruction of a paleontological fossil, including a support frame, a cross, a support module, connection modules, telescopic clamping modules, trolley hangers, displacement rods, and a modeling module. The present invention can not only achieve construction of a paleontological model in any shape, but also stabilize the model during modeling, preventing the model from tipping over during the modeling. The present invention is widely applicable and highly practicable, and is not only suitable for building various paleontological three-dimensional models in any shape, but also suitable for three-dimensional modeling of any other objects. The present invention resolves a problem in the prior art that during modeling of a large ancient creature or an object with a relatively high center of gravity, because the modeling process is generally carried out from

bottom to top, the model easily tips over as the center of gravity gradually moves upward or becomes off-centered.

21: 2021/04061. 22: 2021/06/14. 43: 2021/11/04
51: F03D

71: Anhui University of Science and Technology
72: RUAN, Xueyun, WEI, Yue, GAO, Jian, SONG, Yuzhong, JIA, Shilin, CHEN, Yingdong, YANG, Zheng, FU, Junjie

54: ROLLER TYPE CAGE EAR CHARGING AND GENERATING SET

00: -

The present utility model discloses a roller type cage ear charging and generating set, comprising a case, wherein a motor platform is fixedly connected to a top of the cage, an explosion-proof generator is fixedly connected to the motor platform, a small belt pulley is fixedly connected to a driving end of the explosion-proof generator, a large belt pulley is arranged above the small belt pulley, a swing arm base is fixedly connected to the top of the cage, a swing arm is arranged on the swing arm base, and a pinch roller is rotationally connected to an outer surface of the swing arm. In the present utility model, a roller is always in contact with a cage guide through the arrangement of a spring compression device, so that continuity of power charging and generating of a roller type cage ear device is ensured; and through the arrangement of the large belt pulley and the small belt pulley, the requirement for power generation speed is met, the load of the cage is reduced, and the roller and the cage guide are kept in contact.

21: 2021/04382. 22: 2021/06/25. 43: 2021/11/04
51: E21C

71: Anhui University of Science and Technology
72: HU, Xiongwu, XU, Hu, KONG, Bingqing, HAN, Dan

54: ELECTROMAGNETIC METHOD PERSPECTIVE EXPLORATION SYSTEM AND METHOD FOR COAL SEAM ROOF WATER

00: -

The present invention discloses an electromagnetic method perspective exploration system and method for coal seam roof water, and belongs to the field of coal mining. The method includes the following steps: firstly determining a ground observation area according to geological data; then emitting a multi-

frequency mixed electromagnetic field by an 5 emitting coil formed around an underground coal mining working face; receiving an electromagnetic field signal point by point in the observation area by loading a receiving coil on an unmanned aerial vehicle on the ground; processing and interpreting the signal to obtain three-dimensional apparent resistivity distribution characteristics of a coal seam roof, to further accurately position water-rich areas of different rock stratum of the coal seam roof 10 and guarantee the safe and efficient production of a coal mine.

21: 2021/04383. 22: 2021/06/25. 43: 2021/11/04
51: G01G

71: Anhui University of Science and Technology
72: HU, Xiongwu, CHEN, Renjun, KONG, Bingqing, XU, Biao

54: CARRIER TRANSIENT ELECTROMAGNETIC SYSTEM AND TEST METHOD THEREOF

00: -

The present invention discloses a carrier transient electromagnetic system and a test method thereof, and belongs to the field of coal mining. The carrier transient electromagnetic system comprises a supporting piece, a transmitting coil, a receiving coil, a host, a connecting wire and a mobile terminal. Through reasonable arrangement of the transmitting coil and the 5 receiving coil, an amplitude value of a carrier band primary field is greatly reduced; through transmission of linear turn-off current, the primary field keeps a constant, and thorough elimination of interference of the carrier band primary field is achieved, so that a carrier band pure secondary field signal is obtained; through apparent resistivity calculation and imaging, refined detection of shallow geological and geoelectric information is realized, and the 10 problem of exploration blind area existence of a traditional transient electromagnetic method is solved.

21: 2021/04850. 22: 2021/07/12. 43: 2021/11/04
51: G06F

71: Anhui University of Science and Technology
72: GUI, Haixia, ZHAO, Banglei, WANG, Xiangqian, YANG, Chaoyu

54: COLD-CHAIN LOGISTICS ROUTE OPTIMIZATION METHOD BASED ON IMPROVED ANT COLONY ALGORITHM

00: -

The present invention relates to the field of cold-chain logistics delivery route optimization technologies, and discloses a cold-chain logistics route optimization method based on an improved ant colony algorithm, which can be effectively applied in the cool-chain logistics delivery field to provide a theoretical basis for cold-chain logistics route delivery optimization. The method is implemented by the following steps: firstly, constructing a vehicle speed characteristics model for different periods of time based on a weather condition, and with an aim of minimizing a total cost composed of a fixed vehicle cost, a transportation cost, a goods damage cost, a refrigeration cost, and a carbon emission cost, determining constraints on a distance between a customer and a refrigerated delivery center, a distance between customers, a quantity of goods demanded by a customer, a time window, and the like; secondly, initializing parameters of an ant colony algorithm and vector parameters of a cold-chain logistics delivery cost model; thirdly, optimizing delivery costs by using an improved ant colony algorithm, when all ants complete a route search, calculating and saving lengths and optimized costs of all routes, and performing next global pheromone updating; and finally, during solving by using the improved ant colony algorithm, dynamically improving updating rules for a pheromone attenuation coefficient and a pheromone increment, so as to continuously adjust pheromones, expand a search space for an optimal solution, and determine an optimal route and an optimal objective function value.

21: 2021/04851. 22: 2021/07/12. 43: 2021/11/04
51: F16D

71: Anhui University of Science and Technology
72: MENG, Limin, ZHOU, Peng, HU, Haixia, YU, Xiangming, LI, Hu

54: RADIAL SPECIALLY-SHAPED PLUNGER PUMP HAVING VANE FEATURE AND OPERATING METHOD THEREFOR

00: -

The present invention discloses a radial specially-shaped plunger pump having a vane feature and an operating method therefor. The plunger pump includes a left valve plate; a right valve plate, having a pair of oil suction windows and a pair of oil

discharge windows distributed thereon, where the pair of oil suction windows and the pair of oil discharge windows are respectively in communication with the oil suction port a and the oil discharge port b on the pump case; a stator, having an inner surface curve composed of arcs with different radii and a transition curve that are spaced apart from each other; a cylindrical rotor, placed concentrically inside the stator; a plurality of plunger grooves, arranged radially and uniformly in a circumferential direction of the rotor, where an outer surface of the flow distribution shaft is inserted into an inner hole of the cylindrical rotor through a bushing; and a plurality of vane-type plungers, inserted into the plunger grooves in such a way that the vane-type plungers are slidable in the plunger grooves, and having a top end portion that is in sliding contact with an inner surface of the rotor. The plunger pump of the present invention has such advantages as a high flow rate, a low pulsation, and a desirable resistance to a high pressure.

21: 2021/04852. 22: 2021/07/12. 43: 2021/11/04
51: B03D

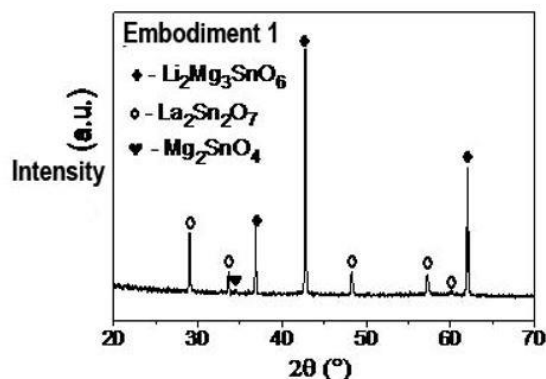
71: Anhui University of Science and Technology
72: XIAO, Baiqing, GE, Jianhua, ZHAO, Guixia, MI, Xufeng

54: FILTER-TYPE SAMPLER FOR SUSPENDED SEDIMENT AND SAMPLING METHOD THEREFOR

00: -

The present invention discloses a filter-type sampler for suspended sediment and a sampling method therefor. The sediment sampler includes a fish lead, a flow velocity meter, and a motor speed regulator. A waterproof compartment is provided in the fish lead. A peristaltic pump is provided in the waterproof compartment. A water inlet pipe and a water outlet pipe are provided on a side wall of the waterproof compartment. One end of the water inlet pipe stretches out of a front end of the fish lead. An other end of the water inlet pipe is connected to the peristaltic pump through a peristaltic pump hose. A strainer-type water sample bag is provided at an end of the water outlet pipe. The sampling method based on the sampler is implemented by adjusting a rotational speed of the peristaltic pump through the motor speed regulator, so that the peristaltic pump draws a water sample at an appropriate flow rate.

According to the sampler of the present invention, a volume of a water sample is determined through a flow rate of a peristaltic pump and a sampling duration, without the need to measure the volume of the water sample, and collection and filtration of the water sample are synchronously performed, without the need to provide a large-capacity container to store the water sample. The sampler has some of advantages of a pressure-regulated suspended load sampler, which is also a time-accumulative sediment sampler. The sampler reduces an influence of pulsation of a sand content on the accuracy of sand measurement.



21: 2021/05710. 22: 2021/08/12. 43: 2021/10/13
51: C04B

71: ANHUI UNIVERSITY OF SCIENCE AND TECHNOLOGY

72: MA, Jianli, FU, Zhifen, LI, Can, CHENG, Qing, YANG, Zhongyi, LI, Chang

33: CN 31: 2021106327271 32: 2021-06-07

54: LOW-TEMPERATURE-FIRED STANNATE MICROWAVE DIELECTRIC CERAMIC HAVING HIGH TEMPERATURE STABILITY AND PREPARATION METHOD THEREOF

00: -

A low-temperature-fired stannate microwave dielectric ceramic material having high temperature stability and a preparation method thereof. The phase components of the ceramic material comprise $\text{Li}_2\text{Mg}_3\text{SnO}_6$, $\text{La}_2\text{Sn}_2\text{O}_7$ and Mg_2SnO_4 , wherein the content of $\text{Li}_2\text{Mg}_3\text{SnO}_6$ is 70.7 wt%-82.8 wt%, the content of $\text{La}_2\text{Sn}_2\text{O}_7$ is 12.7 wt%-24.3 wt% and the rest is Mg_2SnO_4 . The dielectric constant of the ceramic material is 11.7-12.0, the quality factor is 10400-12900 GHz, the resonance frequency temperature coefficient is -9.8-10.0 ppm/°C. The firing temperature of the ceramic material is 900-950°C. Through adopting the present invention, the technical problems relating to a high firing temperature and a large resonance frequency temperature coefficient of the ceramic material are solved, the temperature stability of the ceramic material is ensured. The preparation method can be extensively used in the production of microwave devices such as low-temperature co-firing ceramic systems, GPS antennas, filters for infinite LAN and multilayer dielectric resonators, etc.

21: 2021/06111. 22: 2021/08/24. 43: 2021/11/18
51: C01G

71: GUANGXI GUILIU CHEMICAL CO. LTD

72: WU, Yuanhua, HUANG, Jingming, QIN, Shengxian, LUO, Chifei, LUO, Yongcheng

33: CN 31: 202110345368.1 32: 2021-03-31

54: A METHOD OF PREPARING ELECTROLYTIC MANGANESE DIOXIDE FOR PRODUCING LITHIUM MANGANATE

00: -

The present disclosure provides a method of preparing electrolytic manganese dioxide (EMD) for producing lithium manganate. A manganese oxide ore powder, a pyrite powder and sulfuric acid are mixed and reacted to obtain a slurry. A calcium carbonate powder is used to neutralize residual sulfuric acid and remove iron in the slurry. A vulcanization mixture is added to remove heavy metals, and a filter aid is added to filter to remove a precipitate to obtain a solution B. The solution B is electrolyzed to obtain a semi-finished EMD product. The semi-finished EMD product is crushed, and subjected to a rinsing with hot water wash, filter pressing and drying to obtain the EMD for producing lithium manganate. The method provided herein has low cost and low energy consumption, and can produce high-quality electrolytic manganese dioxide.

21: 2021/06479. 22: 2021/09/03. 43: 2021/10/26
51: H04M; G06F

71: SAMSUNG ELECTRONICS CO., LTD.

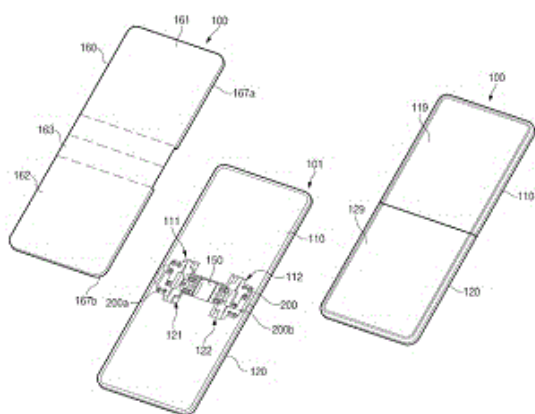
72: KIM, JUNGJIN, KIM, JONGYOON, HWANG, SEUNGHYUN, YOO, CHUNGKEUN, KANG, JAEHO, LEE, MINSUNG

33: KR 31: 10-2019-0050282 32: 2019-04-30

54: HINGE STRUCTURE AND ELECTRONIC DEVICE INCLUDING THE SAME

00: -

A hinge structure includes a first rotary bracket that rotates about a first virtual axis and a second rotary bracket that rotates about a second virtual axis. The hinge structure also includes a fixed bracket that includes the first rotary bracket and the second rotary bracket fixed thereto. The hinge further structure includes a first rotary member, a second rotary member, a first arm and a second arm. Additionally, the hinge structure includes a cam part that includes bumpy structures. A first elastic body is mounted on the first rotary member and supports at least one side of the cam part and second elastic body is mounted on the second rotary member and supports at least an opposite side of the cam part. The hinge structure also includes a support bracket that supports the first elastic body and the second elastic body.

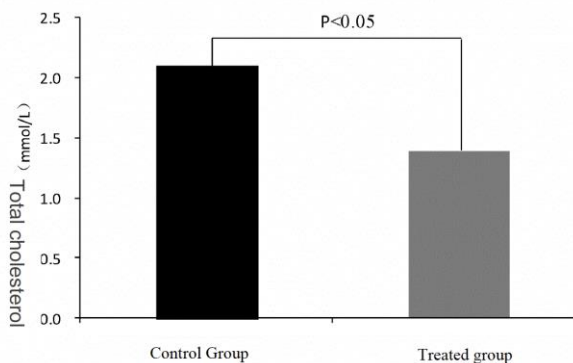


21: 2021/06838. 22: 2021/09/17. 43: 2021/11/17
 51: A61K
 71: Xuzhou Institute of Agricultural Sciences of the Xuhuai District
 72: Niu Fuxiang, Sun Jian, Zhang Yi, Zhang Wenting, Zhu Hong, Xu Fei, Yue Ruixue, Wang Hongyun, Ma Chen

54: PROCESSING METHOD OF SWEET POTATO ORAL LIQUID WITH BLOOD LIPID REDUCING EFFECT

00: -
 The invention discloses a processing method of sweet potato (*Ipomoea batatas* L.) oral liquid with the function of reducing blood fat, belonging to the technical field of health food. The method comprises the following steps: cleaning and removing impurities from fresh sweet potato, freeze-drying in a freeze dryer, crushing and sieving to obtain sweet potato powder. After gradient ethanol extraction and

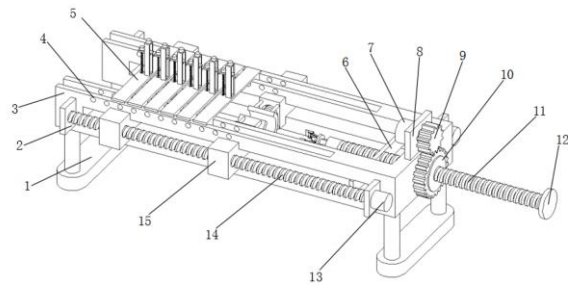
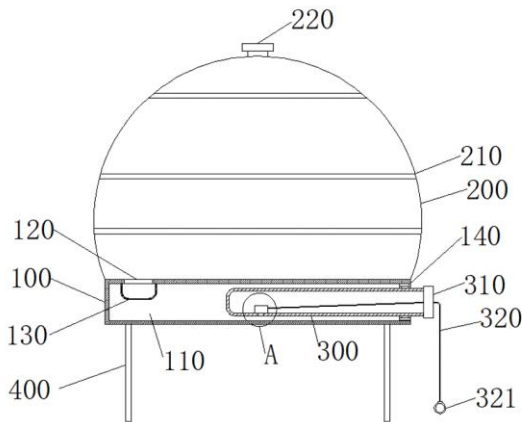
gradient ultrasonic extraction, concentrate in vacuum until the weight of concentrated solution is 1.8 times that of sweet potato powder, centrifuge, and take supernatant to obtain sweet potato extract. The sweet potato oral liquid has the function of reducing blood fat and can be used for regulating hyperlipidemia.



21: 2021/06844. 22: 2021/09/17. 43: 2021/12/02
 51: B63C
 71: Chongqing University of Science and Technology
 72: Niu, Yihui, He, Zhixue
 33: CN 31: CN202122078745.8 32: 2021-08-31
54: WARNING DEVICE FOR OVERWATER LIFE-SAVING

00: -
 The invention discloses a warning device for overwater life-saving, which includes a reactor, inside which a cavity is arranged, said cavity is configured with a material canister therein, the material canister presents as a hollow structure; a gasbag arranged on said reactor, an air hole is provided where said reactor is connected to said gasbag, to allow gas inside said cavity to be able to enter said gasbag through said air hole, the inside wall of said material canister is provided with a regulating member, where said material canister and said regulating member are connected is configured with a first through hole. Fill with manganese dioxide particles in the cavity of the reactor and hydrogen peroxide in the material canister, the first through hole arranged on the material canister will allow hydrogen peroxide within the material canister to enter the cavity of the reactor, which triggers a strong reaction by the catalytic action of manganese

dioxide, to generate massive oxygen, an air hole is arranged where said reactor is connected to said gasbag, due to which the said gasbag is to be able to be inflated and generate buoyant force, the purpose of life-saving is achieved.



21: 2021/06954. 22: 2021/09/20. 43: 2021/11/17
51: B23B

71: West Anhui University

72: Zhou Fengwu, Mo Junmei, Wang Jin, Zhang Chengyong, Shen Bingyi

33: CN 31: 202110975541.6 32: 2021-08-24

54: A HIGH-EFFICIENCY DE-JOINT DRILLING DEVICE FOR PROCESSING FLUTE

00: -

The invention provides a high-efficiency de-joint drilling device for processing flute, including a U-shaped bracket; a drill rod arranged on the U-shaped bracket; a mounting ring sleeved on the drill rod; a pushing device arranged on the U-shaped bracket and used to push the mounting ring to move on the drill rod; two sets of de-joint mechanisms arranged symmetrically on the mounting ring, each set of de-joint mechanisms includes: the first connecting rod, one end of which is rotatably connected to one side of the mounting ring; a cutting structure, which is rotatably connected with the other end of the first connecting rod; the second connecting rod, one end of which is rotatably connected with the cutting structure, and the other end is rotatably connected with the end of the drill rod. The device can automatically remove joints and drill holes according to the pipe diameter.

21: 2021/06955. 22: 2021/09/20. 43: 2021/11/17
51: A01C

71: Nanjing Institute of Agricultural Mechanization, Ministry of Agriculture and Rural Affairs, Suzhou Hualei Agricultural Technology Co., Ltd.

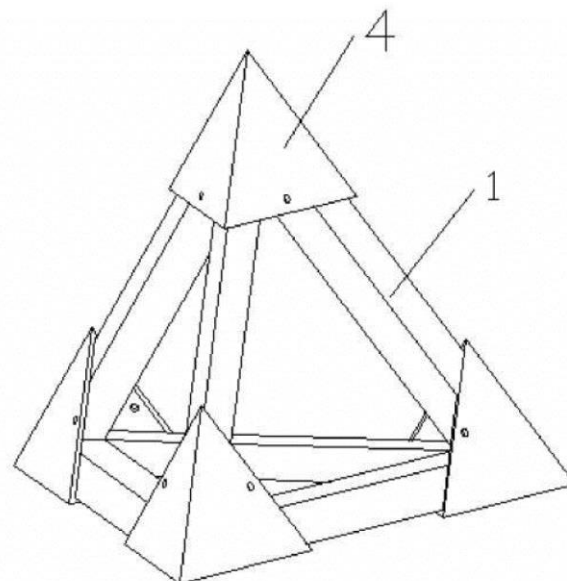
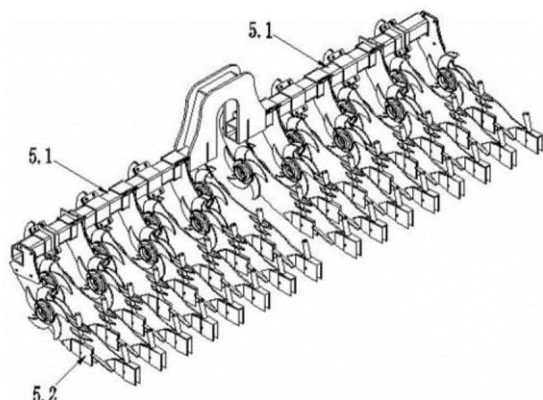
72: Yu Shanshan, Jin Qianli, Wang Shanshan, Zhang Aiping, Wang Gang

54: DOUBLE-RATCHET TYPE STUBBLE-PRESSING, SOIL-COVERING AND FERTILIZING-SOWING DEVICE

00: -

The invention discloses a double-ratchet type stubble-pressing, soil-covering and fertilizing-sowing device, which is arranged on a compound fertilizing-sowing machine and comprises a fertilizing-sowing supporting pipe and a plurality of fertilizing-sowing units; the fertilizing-sowing unit comprises a supporting plate, a fertilizing pipe and a sowing pipe; a stubble-pressing and soil-covering structure is arranged on the supporting plate at the front end of the fertilizing pipe; the stubble-pressing and soil-covering structure comprises a supporting shaft and two stubble-pressing and soil-covering wheels, wherein the stubble-pressing and soil-covering wheels are of a flaky disc structure, and a plurality of arc teeth rotating in one direction are uniformly distributed on the outer circumference; the supporting shaft is fixedly connected to the supporting plate; two stubble-pressing and soil-covering wheels are respectively rollingly connected to both ends of the supporting shaft on both sides of the supporting plate; the further improvement is that the stubble-pressing and soil-covering wheels on adjacent fertilizing-sowing units are longitudinally staggered. According to the invention, the straws on the ground at the front end of the supporting plate can be pressed into the soil, thereby significantly reducing the resistance of fertilizing-sowing unit forward and soil separation and trenching; the position of the fertilizing and sowing unit on the

fertilizing-sowing supporting pipe can be adjusted according to the requirement.



21: 2021/06956. 22: 2021/09/20. 43: 2021/11/17
51: A01K; E02B
71: TIANJIN RESEARCH INSTITUTE FOR WATER TRANSPORT ENGINEERING, M.O.T., OCEAN UNIVERSITY OF CHINA

72: Luan Yingni, Chen Hanbao, Zhang Huaqing, Yin Zegao, Liang Bingchen, Tan Zhonghua, Guan Ning, Ge Longzai, Hu Chuanqi, Liu Mingyang

54: ASSEMBLED SUBMERGED WAVE-DISSIPATING BREAKWATER WITH FUNCTION OF ARTIFICIAL REEF

00: -
The invention provides an assembled submerged wave-dissipating breakwater with function of artificial reef, which comprises a wave-dissipating structure that formed by a plurality of stacked tetrapods, wherein the wave-dissipating structure are centrosymmetrically assembled by six rods, and the ends of adjacent rods are bonded with each other by concrete glue, then tied with a connecting sleeve by iron wires. Firstly, the present invention has a simple form which can be assembled independently and installed easily; secondly, with the function of artificial reef, it is conducive for shellfish, polychaetes and other sea creatures to inhabit, and can play the role of wave-dissipating and sand-retaining at the same time; besides, it has a wide range of application and costs less in construction.

21: 2021/06957. 22: 2021/09/20. 43: 2021/11/17
51: A01G
71: Institute of grain crops, Yunnan Academy of Agricultural Sciences

72: Zhang Jianhua, Li Xiaolin, Guan Junjiao, Zhang Peng, Li Sheping, An Hua, Ji Jiagao, Fu Zhaocong

54: FARMING METHOD OF MULTIPLE CROPPING IN A YEAR ON ARID LAND IN LOW-LATITUDE AND HIGH-COLD MOUNTAINOUS AREAS

00: -
The invention discloses a farming method of four cropping on arid land in low-latitude and high-cold mountainous areas, which comprises the following steps: the first cropping is potatoes or oats; the second cropping is vegetable A or miscellaneous grains, the third cropping is corns and the fourth cropping is vegetable B, green manure or miscellaneous grains. The farming method includes two modes. One mode is sowing spring potatoes from late December of last year to mid-January of next year, transplanting corns after harvest from late May to mid-June, and sowing vegetable A or miscellaneous grains with a growth period of 45-55 days; and sowing vegetable B, green manure or miscellaneous grains after harvest of vegetable A; another mode is: sowing spring potatoes from late January to mid-March, interplanting corns from late April to early June, sowing vegetables A or miscellaneous grains in rotation after potato harvest in spring from July to August, and interplanting vegetable B, green manure or miscellaneous grains

between corn rows from late August to early September; according to the invention, a high-yield and high-efficiency farming method of four crops in a year is realized in the low-latitude mountainous areas, and the utilization rate and the yield of land in the mountainous areas are improved.

21: 2021/06958. 22: 2021/09/20. 43: 2021/11/17
51: E02B

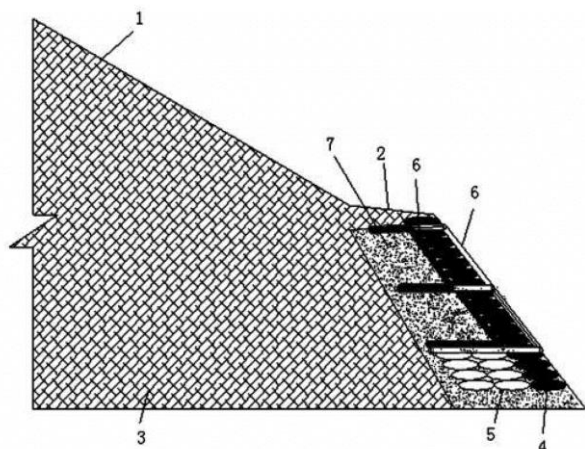
71: Ludong University

72: Du Wenyan, Li Huaqing, Zhang Xuri, Gao Haojie, Xing Hao, Shi Hongyuan, Yu Lehan, Liu Chaoyue, Deng Hongli, Dong Xiaolong, Ma Chengkun

54: SHORELINE SAND DUNE PROTECTIVE STRUCTURE

00: -

The invention discloses a shoreline sand dune protective structure, which divides the shoreline into an inclined section and a smooth section, wherein undisturbed soil is arranged below the inclined section, and single-layer sandbags, dual-layer sandbags, geotextile grilles and fine sand are arranged in the smooth section. Single-layer sandbags are laid on the side of the smooth section, and geotextile grilles are arranged on both sides of the single-layer sandbags for reinforcement; a dual-layer sandbags are arranged at the lower part beside the geotextile grilles, and fine sand is arranged at the upper part beside the geotextile grilles. The protection structure has the advantages of excellent protection strength, acid and alkali resistance and anti-aging.



21: 2021/06959. 22: 2021/09/20. 43: 2021/11/17
51: F03B

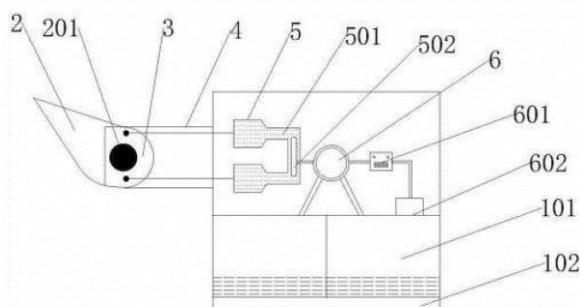
71: Ludong University

72: Liu Zhiyi, Li Huaqing, Zhang Xuri, Gao Haojie, Xing Hao, Ma Chengkun, Yu Lehan, Liu Chaoyue, Deng Hongli, Dong Xiaolong, Shi Hongyuan

54: A SUBMERSIBLE OCEAN WAVE POWER GENERATION DEVICE

00: -

The invention discloses a submersible ocean wave power generation device, which comprises a submersible body and a self-adaptive swing arm, wherein the left side of the submersible body is provided with a self-adaptive swing arm, and the right side of the self-adaptive swing arm is provided with a connector; the self-adaptive swing arm is fixedly connected to the submerged floating body through a connector, and a swing shaft is arranged inside the self-adaptive swing arm. The submersible ocean wave power generation device adapts to the working conditions by automatically adjusting the ballast water quantity and ballast water distribution in the ballast tank below the submersible body, and is flexible and convenient for offshore maintenance and floating, and is not affected by the change of tide level height, and the limitation of the water depth in the sea or area seabed topography. The wave and current directions can be sensed by the wave direction sensor and the current direction sensor in the wave pendulum internal sealing space, so that the direction and height of the self-adaptive swing arm can be adjusted by lifting and rotating the platform to adapt to waves and currents in different directions.



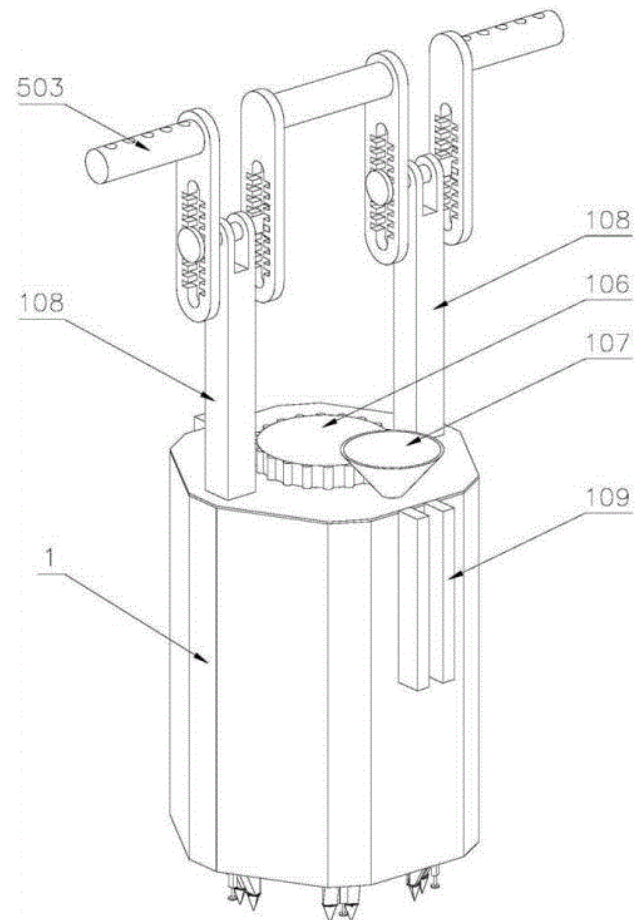
21: 2021/06960. 22: 2021/09/20. 43: 2021/11/17
51: A01B; A01C

71: Shandong Academy of Agricultural Sciences

72: Bo Luji, Li Bing, Ma Ronghui, Zhang Rongquan, Li Yan, Huang Xianmin, Wang Yanqin, Liu Zhaohui, Zhang Yingpeng

54: MULTI-POINT FERTILIZING AND SEEDING PLATE AND INTEGRATED FERTILIZING AND SEEDING MACHINE EQUIPPED WITH SAME
00: -

The invention discloses a multipoint fertilizing and seeding plate and an integrated fertilizing and seeding machine equipped with the same, which comprises a shell, an installation plate, a fertilizing device/seeding device; wherein, the shell comprises an outer cylinder, an inner cylinder arranged inside the outer cylinder, and a bottom plate arranged at the bottoms of the outer cylinder and the inner cylinder; the installation plate comprises a central plate and a plurality of supporting arms arranged around the central plate, wherein the seeding device is arranged in the mounting groove; the fertilizing device is arranged on the supporting arms, and the seeding device and the fertilizing device are connected with the bottom plate through connecting hoses; the seeding device has the same structure as the fertilizing device. The invention also discloses an integrated fertilizing and seeding machine equipped with multi-point fertilizing and seeding plates, which comprises a seeding plate and a connecting cover. According to the invention, seeding and fertilizing are integrated, and a plurality of groups of fertilizing devices are arranged around the seeding device to form multi-point application, so that the utilization rate of fertilizer is improved, the waste of fertilizer is avoided, the uniformity of base fertilizer is ensured, the topdressing of crops in the later stage is reduced, and the labor intensity of cultivation is reduced.



21: 2021/06961. 22: 2021/09/20. 43: 2021/11/17

51: G01C

71: Xi'an University of Technology

72: Zhu Guojun, Li Kang, Feng Jianjun, Luo Xingqi

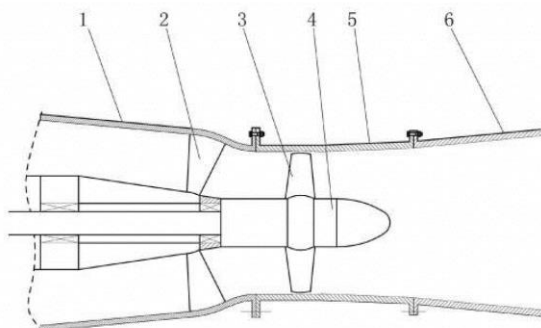
33: CN 31: 202011094423.6 32: 2020-10-14

54: SYNCHRONOUS TESTING METHOD FOR VIBRATION OF RUNNER AND OUTER WALL OF THROUGH-FLOW HYDRAULIC MACHINERY

00: -

The invention discloses a synchronous testing method for vibration of a runner and an outer wall of through-flow hydraulic machinery, which specifically comprises the following steps: step 1, machining a runner chamber based on different objects to be tested; step 2, arranging a laser vibrometer, a photoelectric encoder and a piezoelectric vibration speed sensor according to the selected test objects in step 1; and step 3, synchronously collecting the output signals from the rotary photoelectric encoder, the two laser vibrometers and all piezoelectric vibration speed sensors by a computer, and carrying out cross-power spectrum analysis and cross-correlation analysis of the collected signals to

determine the correlation among the signals. According to the invention, the normal operation of the through-flow hydraulic machinery is not affected at all in the testing process, and the vibration of the runner and the vibration of the outer wall can be tested synchronously.



21: 2021/06962. 22: 2021/09/20. 43: 2021/11/17

51: A01C

71: Qingdao Agricultural University

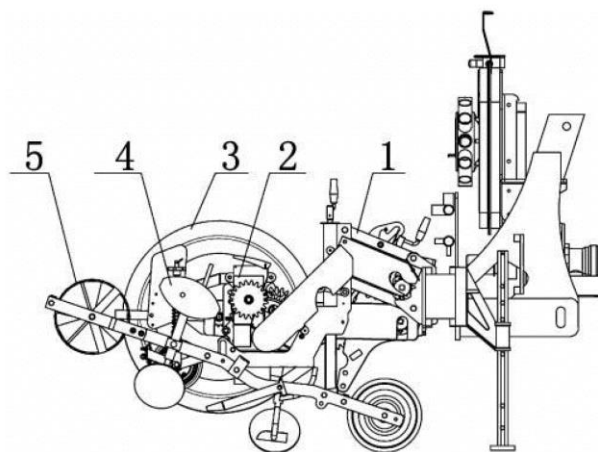
72: Wang Fangyan, Liu Xinghua

54: PNEUMATIC SEEDER

00: -

The invention relates to agricultural machinery, in particular to a pneumatic vegetable seeder, which comprises a machine frame and a plurality of seed metering units arranged on the machine frame, wherein the seed metering units comprise a fertilizing device, a seed metering device, a seesaw crushing and pressing wheel and a pressing wheel; the fertilizing device comprises a fertilizer leakage device and a furrow opener, the fertilizing device is positioned outside the seed metering device, a seesaw crushing and pressing wheel is positioned at the tail of the machine frame, and the pressing wheel is positioned in front of the seesaw crushing and pressing wheel; the seed metering device comprises a right shell, a left shell and a seed sucking disc arranged in the left shell, wherein the seed sucking disc is provided with two rows of annular seeding holes; the bottom of the corresponding right shell is provided with seed releasing plates; two seed metering channels corresponding to the seeding holes are formed between the seed releasing plates; and an adjustable seed scraping device is arranged in the seed metering device. The utility model has simple structure, can scrape seeds of different sizes, realizes active seed scraping, has good seed

scraping effect and improves seed scraping efficiency.



21: 2021/06963. 22: 2021/09/20. 43: 2021/11/17

51: B29B

71: Shandong Kuanyuan new material technology co., ltd

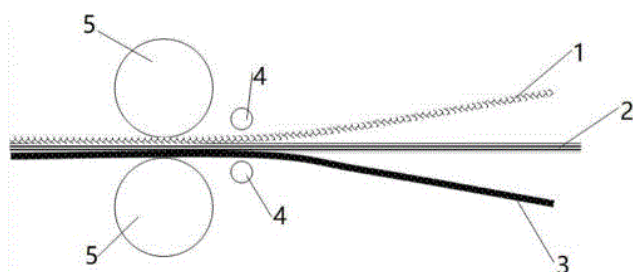
72: Zhu Bo, Cao Weiwei, Wang Yongwei, Zhou Liang, Luo Zengshu, Liu Yulan, Di Chengrui

54: PREPARATION METHOD FOR THERMOPLASTIC PREPREG FABRIC BY RADIANT HEATING

00: -

The invention relates to a method for preparing a thermoplastic prepreg fabric by radiant heating, and belongs to the field of preparing composite prepreg fabrics; the method includes: lay the upper surface thermoplastic high-melting hybrid matrix layer, the middle reinforcing fiber fabric layer, and the lower surface thermoplastic high-melting hybrid matrix layer in sequence to form a composite layer with an upper, middle and lower structure; then, the composite layer in step 1) is placed in a composite pressure roller equipped with a radiant heater, and the continuous preparation of the prepreg fabric is completed through the transmission of the roller body and the radiant heating. The invention adopts heat radiation heating method, and cooperates with high melting and high flow hot melt impregnation layer and fiber fabric layer, the pressure-heating-impregnation process is realized synchronously under the action of the composite pressure roller. This preparation process avoids solvent doping, the subsequent solvent volatilization process is omitted, and at the same time, the instantaneous temperature of radiant heating is higher, the thermal

inertia is small, the overall production efficiency is higher, and the energy consumption for preparing the prepreg fabric is greatly reduced.

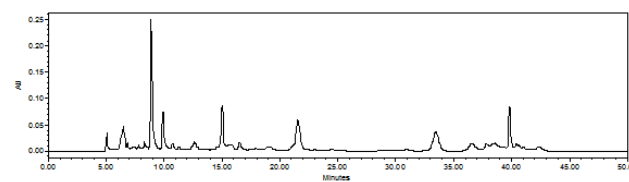


21: 2021/06964. 22: 2021/09/20. 43: 2021/11/17
 51: C02F
 71: Nanjing Agricultural University
 72: Dong Changxun, Shi Weixi, Zheng Wei, Wang Wanqing, Tang Yingmei
54: PURIFICATION AND TREATMENT METHOD OF CHEMICAL LEACHING WASTEWATER GENERATED BY REMEDIATION OF HEAVY METAL CONTAMINATED SOIL

00: -
 The invention discloses a method for purifying chemical leaching wastewater generated by repairing heavy metal contaminated soil, which specifically comprises the following steps: adding hydrogen peroxide into wastewater to be treated, adding 0.5-5 mL of 30 percent H₂O₂ into every 100 mL of wastewater, and stirring; adjusting the pH of the waste water to 6-10; centrifuge the waste water, and pour out the supernatant to obtain a clear solution. The wastewater to be treated refers to the washing wastewater obtained by washing cadmium, lead, zinc, copper and other contaminated soil with a compound washing agent prepared from 10-50 mmol/L inorganic salt and 10-150 mmol/L organic acid. The method has the advantages of good precipitation effect, no secondary pollution, simple operation and relatively low cost; after adding a small amount of H₂O₂, the complex form of heavy metals in wastewater is destroyed; after adding a small amount of alkali, the heavy metals can be completely precipitated under the condition of lower pH, and the removal rate can reach 99.69 percent at the highest; and the treated water can be recycled after adjusting the pH.

21: 2021/06965. 22: 2021/09/20. 43: 2021/11/17
 51: A61K
 71: Qilu University of Technology, Poultry Institute, Shandong Academy of Agricultural Sciences
 72: Yang Xiaohui, Su Bei, Liu Yueyue, Yin Bin, Yan Shaoyue, Yi Yunpeng, Yang Shifa, Huang Zhongli, Zhao Zengcheng, Lin Shuqian
54: METHOD FOR PREPARING ANTIBACTERIAL EXTRACT OF SCHISANDRA CHINENSIS

00: -
 The invention particularly discloses a method for preparing antibacterial extract of Schisandra chinensis. The preparation method of the antibacterial extract of Schisandra chinensis comprises the following steps: (1) adding distilled water into Schisandra chinensis, decocting with water, and filtering the extract; (2) concentrating the extract solution until each milliliter of the extract solution contains 1 g of Schisandra chinensis to obtain concentrated solution; (3) adding ethanol, stirring, filtering, and concentrating under reduced pressure; (4) extracting with chloroform and retaining the aqueous phase; (5) extracting with ethyl acetate and retaining the aqueous phase; (6) extracting with normal butanol and retaining the aqueous phase; (7) passing the aqueous phase extract through D101 macroporous adsorption resin column, eluting, and concentrating under reduced pressure to obtain the antibacterial extract of Schisandra chinensis. The invention has the advantages that the preparation process is simple, and the prepared antibacterial extract of Schisandra chinensis contains a large quantity of organic acid, wherein the content of shikimic acid is as high as 13.98%, and has obvious antibacterial activity in vivo and in vitro, broad spectrum and high efficiency, and the antibacterial activity does not generate drug resistance.



21: 2021/06966. 22: 2021/09/20. 43: 2021/11/17
 51: A23L
 71: Hebei University of Engineering
 72: Liu Meiyu, Li Tiemei, Lian Zhaohui, Lian Haiping

54: POTATO SLIMMING MEAL REPLACEMENT POWDER AND PREPARATION METHOD THEREOF

00: -

The invention discloses a potato slimming meal replacement powder and a preparation method thereof, and belongs to the field of food processing technologies; the raw materials of the meal replacement powder are calculated in parts by weight, including 40-65 parts of whole potato powder, 5-30 parts of rice powder, 3-8 parts of sesame powder, 10-15 parts of soy protein isolate, 8-12 parts of medium chain triglyceride powder, 1-5 parts of konjac powder, 0.1-0.2 parts of grape seed extract and 0.02-0.05 parts of sucralose; the invention prepares a meal replacement powder with low GI value and good sensory quality by using whole potato powder as the main raw material, supplemented by grape seed extract and konjac powder, which is suitable for obese people to eat, so as to achieve the goal of dietary weight loss; the potato slimming meal replacement powder of the present invention provides a foundation for building a diet structure for obese people, not only develops the functional food industry, but also leads a new field and new direction of nutrition intervention research, so as to better guide the diet of obese people.

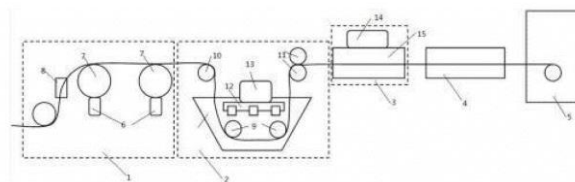
21: 2021/06967. 22: 2021/09/20. 43: 2021/11/17
51: C01B; D01D; D01F
71: Shandong Yunhai New Material Technology Co., Ltd.
72: Zhu Bo, Gao Xueping, Zhang Min, Qiao Kun, Liu Yulan, Cao Weiwei, Wang Yongwei

54: CONTINUOUS PREPARATION METHOD OF CARBON FIBER WITH HIGH ELECTRICAL CONDUCTIVITY AND HIGH THERMAL CONDUCTIVITY

00: -

The invention provides a preparation method and device for preparing continuous high-conductivity and high-thermal conductivity carbon fiber, which mainly comprises five main parts: a glue removing process, a dipping/atomizing spraying process, a drying process, a high-temperature setting process and a winding process. Among them, the glue removing process mainly realizes the high-speed removal of sizing agent on the surface of finished carbon fiber; the dipping/atomization spraying

process mainly realizes the coating treatment of the surface sizing agent for continuous carbon fiber filaments; the drying process mainly realizes the rapid drying of the surface of the carbon fiber filament coated with the sizing agent; in the high-temperature setting process, special continuous heating device is mainly used to realize the high-temperature setting treatment of carbon fibers, so as to achieve the preparation and surface optimization of carbon fibers with high electrical conductivity and high thermal conductivity; the winding device adopts the continuous cooperation of tension system and winding system to realize the filament winding action of carbon fiber and realize the production of continuous carbon fiber filament with high conductivity and high thermal conductivity. The device and preparation method can be used to produce and process different linear carbon fiber filaments.



21: 2021/06968. 22: 2021/09/20. 43: 2021/11/17
51: A47B

71: Shandong Jianzhu University

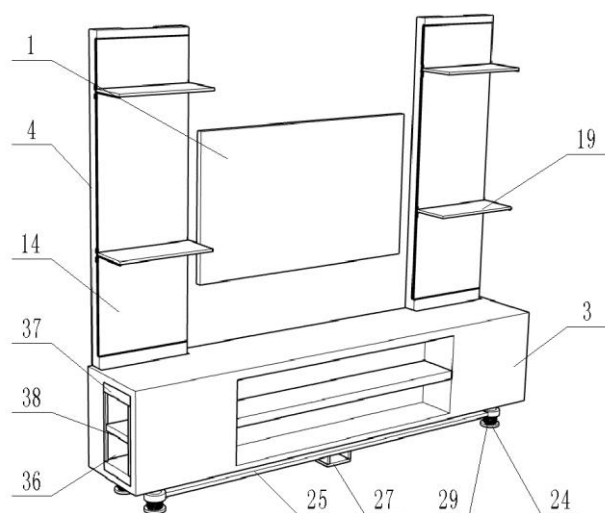
72: Dong Min, Zhang Qingran

54: FOLDING FURNITURE WITH SPACE REUSABLE TECHNOLOGY

00: -

The invention discloses a folding furniture capable of spatial reuse technology, which comprises a wall and a TV fixedly connected on the wall, two oppositely arranged mounting boards are fixedly connected to the wall, the TV is positioned between the two mounting boards, and the side of the mounting boards far away from the wall is connected with a TV cabinet through a supporting part; the supporting part comprises a supporting board, one side of the supporting board close to the mounting board is provided with a groove, and a hinge is arranged in the groove; the supporting board is in sliding contact with the mounting board through the hinged piece, and the top of the TV cabinet is provided with a placing slot, the end of the supporting board away from the hinge is located in

the placing slot, and the supporting board is rotatably connected with the TV cabinet through a rotating rod. The present invention can move the TV cabinet so that the TV cabinet can be transformed into a bed or a dining table, which is convenient for households to use, and the TV cabinet can be used as a projection screen. In addition, the moving parts are arranged to facilitate the movement of the TV cabinet, thereby facilitating the deformation of the TV cabinet.



21: 2021/06969. 22: 2021/09/20. 43: 2021/11/17
51: C05G
71: Institute of grain crops, Yunnan Academy of Agricultural Sciences
72: Zhang Jianhua, Li Xiaolin, Guan Junjiao, Zhang Peng, Li Sheping, An Hua, Wang Baoshu, Zhang Xingfu

54: METHOD OF REDUCING NITROGEN FERTILIZER APPLICATION ON CORN IN LOW-LATITUDE AND HIGH-COLD MOUNTAINOUS AREAS

00: -
The invention discloses a method for reducing the application of nitrogen fertilizer on corn in low-latitude and high-cold mountainous areas, and belongs to the field of fertilization technologies of crops. Specifically, it includes the following steps: using nitrogen fertilizer as seed fertilizer, and applying farmyard manure as cover fertilizer to the soil, and then applying nitrogen fertilizer to the soil in the first batch, second batch, and third batch during the growth of corn. According to the geographical location and the characteristics of the ecological

climate, the present invention uses suitable fertilization times, fertilization amount, and fertilization depth to fertilize the soil for planting corn, and takes full advantage of the geographical conditions in the low-latitude and high-cold mountainous areas, the corn yield increased by 4.28% when the nitrogen fertilizer application was only 50% of the conventional nitrogen fertilizer application.

21: 2021/06970. 22: 2021/09/20. 43: 2021/11/17
51: A21D
71: Hebei University of Engineering
72: Liu Meiyu, Yan Chenmiao, Lian Zhaohui, Lian Haiping

54: PREPARATION METHOD OF LOW GI POTATO BREAD

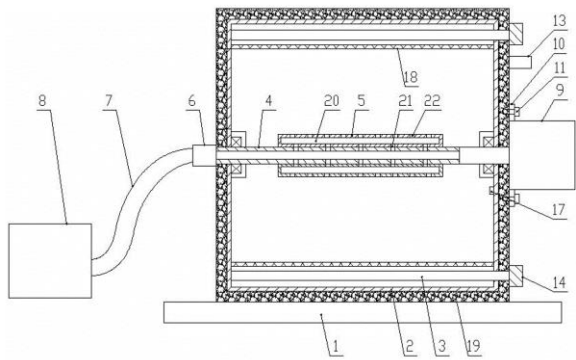
00: -
The invention discloses a method for preparing low GI potato bread, belonging to the technical field of food processing and comprising the following steps: weighing flour, potato flour, yeast, maltitol, wheat gluten, compound modifier, salt, eggs, butter, water, inulin, erythritol and sugarcane extract; mixing to obtain dough and fermenting; then dividing, shaping, fermenting and baking to obtain low GI potato bread. Accord to the invention, adding the potato powder into the bread improves the nutritional value of the bread; moreover, the preparation method of potato bread is optimized and inulin, erythritol and sugarcane extract are added into the bread, so the prepared bread not only has good sensory quality, but also significantly reduces GI value, is suitable for diabetics to eat, and can prevent diabetes by diet.

21: 2021/06971. 22: 2021/09/20. 43: 2021/11/17
51: C09J
71: Zhengzhou University of Aeronautics
72: Li, Yan, Chu, Bo, Zhong, Facheng, Zeng, Fanguang, Wang, Yanyan, Tan, Qianwen, Yuan, Sheng, Ma, Huali

54: PREPARATION METHOD FOR ANTI-BLUE LIGHT PROTECTIVE FILM BASED ON PLASMONIC PARTICLES

00: -
The invention discloses a preparation method for an anti-blue light protective film based on plasmonic particles, which includes the following steps: coat a layer of silver film on the transparent substrate; annealing treatment, silver nanoparticles are

obtained on the surface of the transparent substrate; using the atomic layer deposition method to wrap a layer of alumina transparent dielectric layer outside the silver nanoparticles to form a silver-alumina core-shell structure; annealing treatment, obtaining gold nanoparticles; using atomic layer to wrap a layer of titanium dioxide transparent dielectric layer on the outside of gold nanoparticles to form a gold-titanium dioxide core-shell structure; plating a layer of silica transparent film on the titanium dioxide transparent dielectric layer. Through a simple coating and annealing process, the present invention can form nanoparticles with a regular shape and a size and a controllable resonance band, thereby effectively absorbing blue light and reducing the yellowing of the film, which has important application value.



21: 2021/06972. 22: 2021/09/20. 43: 2021/11/17
51: C09J

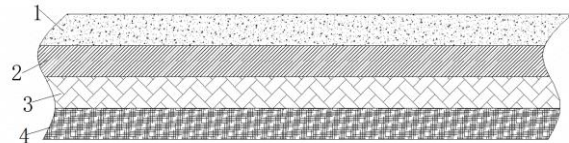
71: Zhengzhou University of Aeronautics
72: Wang, Yanyan, Li, Yan, Xin, Su, Yang, Peng, Zhong, Facheng, Wang, Haili

54: ANTI-BLUE LIGHT PROTECTIVE FILM

00: -

The present invention relates to the technical field of protective films, specifically disclosure provides an anti-blue light protective film, which includes an anti-blue light protective film, wherein an anti-static layer, an anti-blue light layer, an adhesive layer, a tempered film layer, the anti-static layer, the tempered film layer, the anti-blue light layer and the adhesive layer are arranged sequentially from top to bottom, and the adhesive layer can be adhered to the surface of the electronic product display. The advantages of the present invention are: the anti-blue light protective film is provided with an anti-static layer on the uppermost layer thereof, which can prevent the dust from being attracted onto the

display due to the electrostatic phenomenon occurring on the display; the anti-blue light protective film can absorb more blue light and prevent blue light from passing through by providing an anti-blue light layer made of a mixture of a base resin and a ketone based blue light absorber therein; the anti-blue light protective film increases the strength of the film by providing a tempered film layer therein.



21: 2021/06979. 22: 2021/09/20. 43: 2021/11/18
51: E21C

71: SHANDONG GOLD GROUP CO., LTD., DEEP MINING LABORATORY, SHANDONG GOLD GROUP CO., LTD.

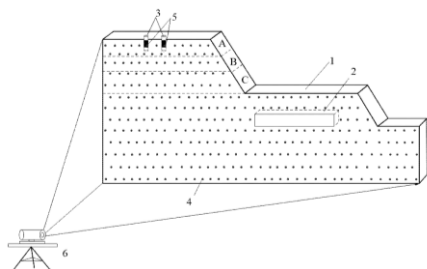
72: JIA, Hanwen, LIU, Huanxin, ZHANG, Pingshun, WU, Qinzhen, LI, Xuguang, WANG, Jianbo, YAN, Baoxu, YIN, Yantian, PENG, Chao, LI, Guilin, CHEN, Kexu

33: CN 31: 202110667176.2 32: 2021-06-16

54: TEST METHOD FOR DYNAMIC INSTABILITY FAILURE MECHANISM OF GOAF IN OPEN-PIT MINE SLOPE

00: -

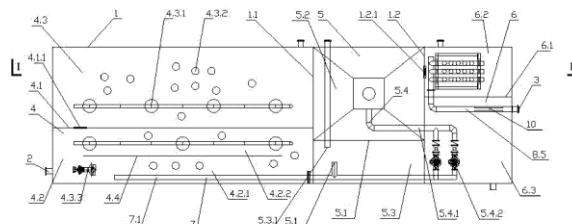
The present disclosure provides a test method for dynamic instability failure mechanism of goaf in open-pit mine slope including: obtain the field parameters of the mine, and determine the similarity ratio between the model and the field; pour model based on the similar materials and proportion required for model making, and embed force sensors and sacrificial parts of simulated goaf in the model; treat the model after maintaining, establish slope and remove sacrificial parts to obtain goaf, arrange acoustic sensors and construct model strain monitoring array and blasting hole; obtain and analyze acoustic data, model stress data and model deformation data during blasting; by constructing a similar model test body, the blasting test is carried out on the model test body, the AES, stress data and displacement data related to the dynamic instability failure characteristics of goaf are obtained, and the dynamic disturbance process of explosion stress wave is monitored.



21: 2021/06995. 22: 2021/09/20. 43: 2021/11/17
 51: C02F
 71: LINGZHI ENVIRONMENTAL PROTECTION CO., LTD, JIANGSU LINGZHI ENVIRONMENTAL PROTECTION CO., LTD, JIANGSU LINGZHI ENVIRONMENTAL PROTECTION EQUIPMENT CO., LTD, LINGZHI ENVIRONMENTAL PROTECTION (LINQUAN) CO., LTD
 72: LING, Jianjun, ZHANG, Dong
 33: CN 31: 201911123541.2 32: 2019-11-17
54: OXIDATION DITCH AND MOVING BED BIOFILM REACTOR INTEGRATED SEWAGE TREATMENT EQUIPMENT

00: -
 Oxidation ditch and moving bed biofilm reactor integrated sewage treatment equipment, comprising a horizontal housing (1), and a water inlet (2) and a water outlet (3) separately provided on the horizontal housing (1). The horizontal housing (1) is provided with main partition plates (1.1, 1.2) to be divided into at least three compartments in the length direction, which are respectively at least one compartment (4) as an A/O area, at least one compartment (5) as a sedimentation area, and at least one compartment (6) as a water outlet area from left to right; a sub-partition plate (4.1) is provided in the A/O area; the sub-partition plate (4.1) divides the A/O area into an anoxic tank (4.2) and an aerobic tank (4.3) in the length direction of the horizontal housing (1); a branch partition plate (4.4) is provided in the anoxic tank (4.2) in the length direction of the horizontal housing (1) to divide the anoxic tank (4.2) into two chambers, which are respectively an anoxic section (4.2.1) and an aerobic section (4.2.2), communicated with each other at the head and tail ends, to form an oxidation ditch circulation channel; the water inlet (2) is located in the anoxic section (4.2.1) of the anoxic tank (4.2); the A/O area is communicated with the sedimentation area by means of a pipe; the main partition plate (1.2) between the sedimentation area and the water outlet

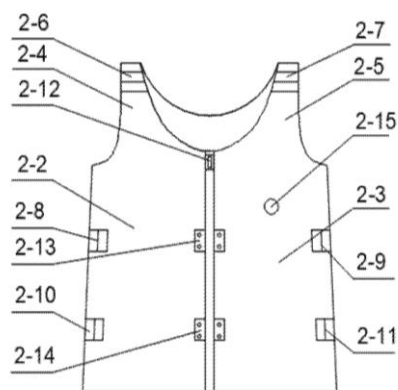
area is provided with an overflow port/water passing port (1.2.1); a fiber membrane reactor (8) and a water outlet (3) are provided in a filter tank (6.2) of the water outlet area. The integrated sewage treatment equipment can be applied to the treatment of rural domestic sewage in various environments.



21: 2021/06996. 22: 2021/09/20. 43: 2021/11/17
 51: C02F
 71: LINGZHI ENVIRONMENTAL PROTECTION CO., LTD, JIANGSU LINGZHI ENVIRONMENTAL PROTECTION CO., LTD, JIANGSU LINGZHI ENVIRONMENTAL PROTECTION EQUIPMENT CO., LTD, LINGZHI ENVIRONMENTAL PROTECTION (LINQUAN) CO., LTD
 72: LING, Jianjun, ZHANG, Dong
 33: CN 31: CN 201910301756.2 32: 2019-04-16
54: INTEGRATED SEWAGE TREATMENT TANK EMPLOYING BIOLOGICAL DOUBLE-EFFICIENCY PROCESS AND FLUIDIZED BED PROCESS

00: -
 Disclosed is an integrated sewage treatment tank employing the Biological Double-efficiency Process and a fluidized bed process. The tank comprises a tank body and separation plates disposed inside the tank body, the separation plates successively dividing the tank body into an anaerobic zone, an anoxic zone, an aerobic zone, and a precipitation zone. The separation plates have water holes. The tank body has a water inlet and a water outlet. The aerobic zone is connected to the anaerobic zone via a sludge reflux pipe for performing reflux to the anaerobic zone. The tank is characterized in that an inclined tube is disposed in the precipitation zone, the inclined tube having an upper layer and a lower layer, and the diameter of the lower-layer inclined tube being larger than that of the upper-layer inclined tube. A filler is disposed in the anaerobic zone, the anoxic zone and the aerobic zone. In the present invention, the Biological Double-efficiency Process and a fluidized bed process are organically combined, which achieves high efficiency and

stability, favorable sewage treatment, and a small area. Moreover, a principle of "shallow precipitation" is employed, which shortens the distance along which particles precipitate, thus reducing the time for precipitation, and increasing the precipitation area in a precipitation pool, thereby increasing processing efficiency. The diameter of the lower-layer inclined tube is larger than that of the upper-layer inclined tube, which provides a better processing effect.



21: 2021/07003. 22: 2021/09/20. 43: 2021/11/18
51: A61B

71: QINGDAO UNIVERSITY OF TECHNOLOGY,
NINGBO SANHAN ALLOY MATERIAL CO., LTD.

72: LI, Changhe, WU, Xifeng, CUI, Xin, ZHANG,
Yanbin, LUO, Liang, YANG, Min, JIA, Dongzhou,
GAO, Teng, LIU, Mingzheng, CHEN, Shuai, MA,
Wuxing, LU, Bingheng, HOU, Yali, LI, Runze, CAO,
Huajun

33: CN 31: 201911413320.9 32: 2019-12-31

**54: FLEXIBLE AND WEARABLE MULTI-ENERGY
ELECTRICITY-CONVERTED INTELLIGENT
MONITORING SYSTEM FOR PHYSIOLOGICAL
SIGNS**

00: -

The present invention discloses a flexible and wearable multi-energy electricity-converted intelligent monitoring system for physiological signs, including: an information acquisition module, using wearable devices as carriers, on which flexible sensors are respectively arranged for real-time acquisition of heart rate, electrocardiogram, respiration, temperature, blood flow rate, blood glucose and blood oxygen parameters; an information transmission module, configured to transmit the acquired information to an information processing and feedback module wirelessly; and the information processing and feedback module, configured to perform hierarchical processing on the received data information, and feed a health status corresponding to the data information back to the information transmission module, wherein the information transmission module compares the health status data fed back with a preset health threshold to determine whether to alarm.

21: 2021/07004. 22: 2021/09/20. 43: 2021/11/18
51: A61B

71: QINGDAO UNIVERSITY OF TECHNOLOGY,
NINGBO SANHAN ALLOY MATERIAL CO., LTD.

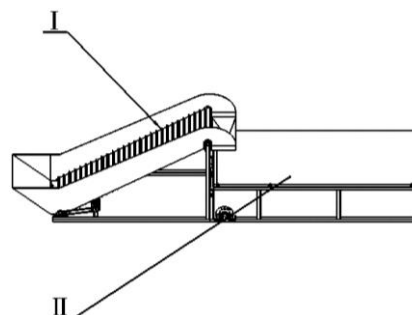
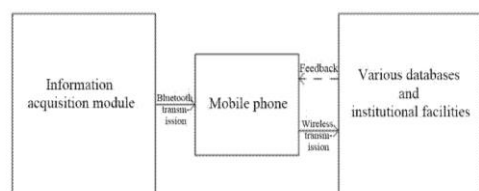
72: LI, Changhe, WU, Xifeng, CUI, Xin, ZHANG,
Yanbin, LUO, Liang, YANG, Min, JIA, Dongzhou,
GAO, Teng, LIU, Mingzheng, CHEN, Shuai, MA,
Wuxing, LU, Bingheng, HOU, Yali, LI, Runze, CAO,
Huajun

33: CN 31: 201911413320.9 32: 2019-12-31

**54: MEDICAL CARE AND HEALTH INTELLIGENT
EXECUTION SYSTEM BASED ON INTERNET OF
THINGS AND INTERNET**

00: -

The present invention discloses a medical care and health intelligent execution system based on an Internet of Things and an Internet, including: an information acquisition module, using wearable devices as carriers, on which flexible sensors are respectively arranged for real-time acquisition of heart rate, electrocardiogram, respiration, temperature, blood flow rate, blood glucose and blood oxygen parameters; an information transmission module, configured to transmit the acquired information to an information processing and feedback module wirelessly; and the information processing and feedback module, configured to perform hierarchical processing on the received data information, and feed a health status corresponding to the data information back to the information transmission module, wherein the information transmission module compares the health status data fed back with a preset health threshold to determine whether to alarm.

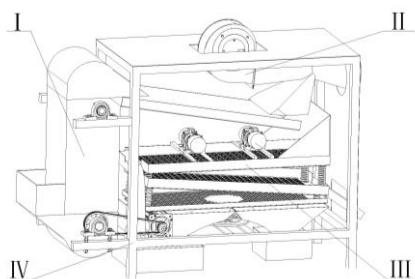


21: 2021/07005. 22: 2021/09/20. 43: 2021/11/18
 51: B07B
 71: QINGDAO UNIVERSITY OF TECHNOLOGY, RESEARCH INSTITUTE OF AGRICULTURAL MECHANIZATION, XINJIANG ACADEMY OF AGRICULTURAL SCIENCES, HENAN UNIVERSITY OF SCIENCE AND TECHNOLOGY
 72: WANG, Xiaoming, LI, Changhe, LIU, Mingzheng, LI, Xinping, LIU, Xiangdong, YANG, Huimin, ZHANG, Yanbin, HOU, Yali
 33: CN 31: 202010287117.8 32: 2020-04-13
54: SPIRAL PEANUT SHELL BREAKING SYSTEM AND WORKING METHOD

00: -
 The present invention belongs to the technical field of peanut processing, and provides a spiral peanut shell breaking system and a method thereof. Wherein, in order to solve the problem of poor general performance of shelling machinery due to slightly poor uniformity of peanut pods and fixed shelling clearance, the spiral peanut shell breaking system includes a feeding device, which is used to send peanuts to the spiral shell breaking device; the spiral shell breaking device comprises a spiral shell breaking rotor, the periphery of the spiral shell breaking rotor is provided with a grid bar, a gap between the spiral shell breaking rotor and the grid bar is adjustable, and a spiral shell breaking module is arranged within the gap, which is used to squeeze and break the shell of peanuts.

21: 2021/07006. 22: 2021/09/20. 43: 2021/11/18
 51: B07B
 71: QINGDAO UNIVERSITY OF TECHNOLOGY, HENAN UNIVERSITY OF SCIENCE AND TECHNOLOGY, RESEARCH INSTITUTE OF AGRICULTURAL MECHANIZATION, XINJIANG ACADEMY OF AGRICULTURAL SCIENCES
 72: WANG, Xiaoming, LI, Changhe, LIU, Mingzheng, LI, Xinping, LIU, Xiangdong, YANG, Huimin, ZHANG, Yanbin, HOU, Yali
 33: CN 31: 202010286319.0 32: 2020-04-13
54: SYSTEM AND METHOD OF ADSORPTION AND MULTISTAGE SCREENING TYPE FOR PEANUT POD CLEANING AND IMPURITY REMOVAL

00: -
 The present invention discloses a system of adsorption and multistage screening type for peanut pod cleaning and impurity removal and method, which comprises: a feeding device, an air separation device and a vibration screening device; the feeding device intermittently feeds the material to the air separation device; the air separation device performs negative pressure adsorption on the light impurities in the material when the material slides down to the vibrating screening device under the action of gravity; the vibrating screening device comprises a multi-layer screen and two vibrating motors whose rotating shafts are at a certain angle. The multi-layer screen is subject to compound rotation vibration as a whole; each layer screen of the multi-layer screen is installed at different angles, so that the materials can produce fluidity in the screening process, and the impurities larger than peanut pod particles, peanut pods and small particle impurities are screened out respectively.



21: 2021/07007. 22: 2021/09/20. 43: 2021/11/18
 51: B07B
 71: QINGDAO UNIVERSITY OF TECHNOLOGY,
 XINJIANG JIANG NING LIGHT INDUSTRIAL
 MACHINERY ENGINEERING TECHNOLOGY CO.,
 LTD., HENAN UNIVERSITY OF SCIENCE AND
 TECHNOLOGY

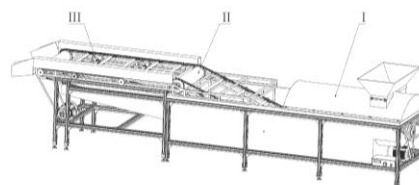
72: SHI, Mingcun, LI, Changhe, LIU, Mingzheng,
 YANG, Huimin, CHE, Ji, LI, Xinpeng, LIU,
 Xiangdong, ZHANG, Yanbin, WANG, Xiaoming,
 HOU, Yali

33: CN 31: 202010287322.4 32: 2020-04-13

**54: WALNUT SHELLS CLEANING DEVICE AND
 METHOD WITH COOPERATION OF ULTRASONIC
 VIBRATION AND AUGER ROTARY PROPULSION**

00: -

The invention belongs to the field of walnut shells cleaning and processing, and provides a walnut shells cleaning device and method with cooperation of ultrasonic vibration and auger rotation pushing. In order to overcome the defects that an existing walnut shells cleaning device is poor in adaptability and generally poor in cleaning effect on objects with huge surface shape changes, the walnut shells cleaning device comprises a cleaning part, the cleaning part comprises a sleeve, an auger is arranged in the sleeve, and the auger is used for rotationally pushing walnut shells to relatively move in water of the sleeve to generate viscous resistance; an ultrasonic transducer is arranged at the bottom of the outer side of the sleeve, and the ultrasonic transducer is used for generating cavitation in water through ultrasonic waves and cooperatively cleaning the walnut shells with auger rotation pushing.



21: 2021/07009. 22: 2021/09/20. 43: 2021/11/18
 51: B01D

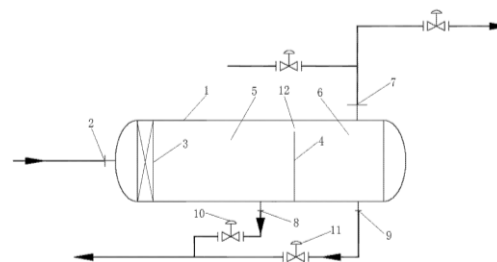
71: YANKUANG LUNAN CHEMICALS CO., LTD.
 72: ZHANG, Yu, XU, Kaifeng, LU, Yiwu, WU,
 Xiaoping, CHANG, Liang, BAO, Leilei, GUO,
 Xiangdong, ZHANG, Yujuan, ZHANG, Jianli, SHI,
 Panpan, CHEN, Ming, PENG, Xin

33: CN 31: 201910641099.6 32: 2019-07-16

**54: ETHYL ACETATE AND WATER
 STRATIFICATION DEVICE AND APPLICATION
 THEREOF**

00: -

The present invention relates to the technical field of ethyl acetate production devices, in particular to an ethyl acetate and water stratification device and application thereof. The ethyl acetate and water stratification device comprises a shell, a feed port, a packing, a baffle, a front part, a rear part, an organic phase outlet, a first aqueous phase outlet and a second aqueous phase outlet; wherein the feed port is arranged at one end of the shell; the packing is arranged in the shell and located at one end of the feed port; the baffle is arranged inside the shell, and an edge of the baffle is in sealed connection with an inner wall of the shell, but there is a gap between an upper end of the baffle and the inner wall of the shell, thus dividing the shell into the communicated front part and the rear part.



21: 2021/07069. 22: 2021/09/22. 43: 2021/10/08
 51: G06Q

71: ARETHA BAUWENS HOLDINGS (PTY) LTD.
 72: BAUWENS, MARTIN - JEAN

54: UNPOLISHED DIAMONDS ONLINE BIDDING SYSTEM AND METHOD

00: -

An online bidding system which includes a registration database, a diamond database and a bid management module. Information of one or more registered bidders are stored on the registration database. Information of one or more unpolished diamonds, or parcels/groups of unpolished diamonds, available for purchasing via an online bidding process, is stored on the diamond database. The bid management module is configured to receive, via a communication network, a bid from a registered bidder on a bid-per-carat basis which indicates how much the registered bidder is willing to pay per carat for a particular unpolished diamond or a parcel/group of unpolished diamonds. The bid is sent from a computing device of the bidder via the communication network to the system. The bid management module is further configured to record the bid for the particular unpolished diamond or parcel/group of unpolished diamonds by storing/recording information thereon on a bidding database.

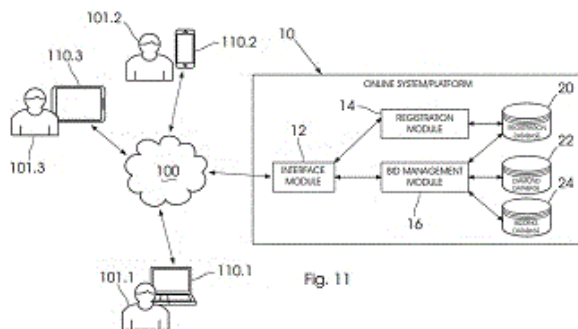


Fig. 11

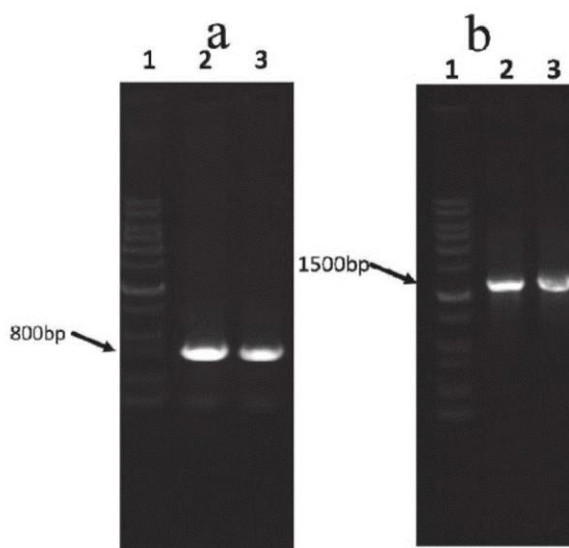
21: 2021/07108. 22: 2021/09/23. 43: 2021/12/08
 51: A01N; C12N; C12P; C12R; A01P
 71: Qilu University of Technology
 72: LIU, Kaiquan, WANG, Ruiming, LV, Yandong, LI, Ling, WANG, Tengfei

54: ENGINEERING STRAIN FOR PRODUCING 2-HYDROXY-PHENAZINE AND USE THEREOF

00: -

The present disclosure particularly relates to an engineering strain for producing 2-hydroxy-phenazine and use thereof. Microbial pesticides have a good application prospect. *Pseudomonas chlororaphis* may naturally secrete phenazine

compounds such as 2-hydroxy-phenazine (2-OH-PHZ), is a low-pathogenicity bacterial strain and has a good application prospect as an engineering strain. According to the present disclosure, a 2-hydroxy-phenazine high-yield strain Qlu-1-3 may be obtained by modifying *Pseudomonas chlororaphis* Qlu-1 through knocking out negative regulatory factors *psrA* and *parS*. The constructed *Pseudomonas chlororaphis* Qlu-1-3 is used as an engineering strain for producing 2-hydroxy-phenazine and important for agricultural production.



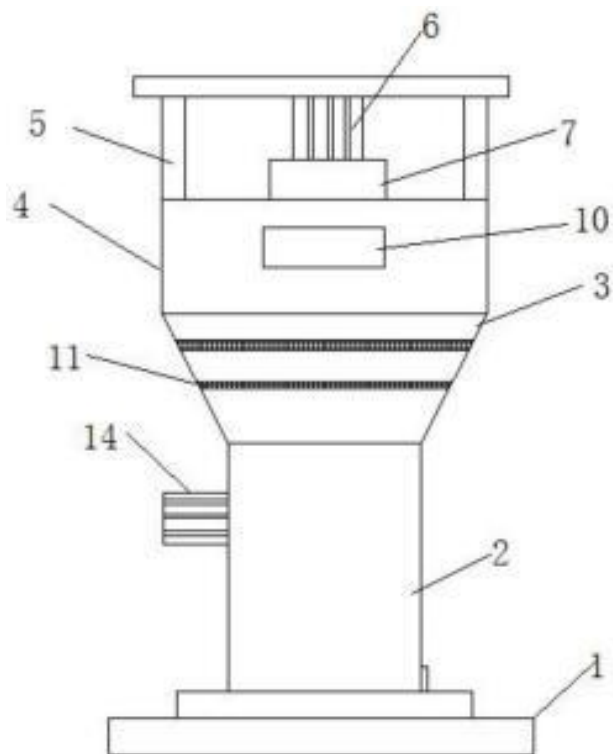
21: 2021/07109. 22: 2021/09/23. 43: 2021/12/02
 51: A01K; B02C
 71: INSTITUTE OF ANIMAL HUSBANDRY AND VETERINARY MEDICINE, SHANDONG ACADEMY OF AGRICULTURAL SCIENCES
 72: GUO, JIANFENG, LIN, HAICHAO, ZHAO, XUEYAN, WANG, HUAIZHONG

54: FEED CRUSHING DEVICE FOR PIG BREEDING

00: -

The present invention discloses a feed crushing device for pig breeding, which comprises a stable backing plate. The top of the stable backing plate is provided with a functional seat box which is fixedly connected with the stable backing plate. The top of the functional seat box is provided with a filtering column box which is fixedly connected with the functional seat box. The top of the filtering column box is communicated with a crushing seat box. The top of the crushing seat box is provided with a fixing rack which is detachably connected with the

crushing seat box. The bottom of the fixing rack is provided with a power motor, the bottom of which is connected with a speed reducer. A rotating shaft rod is arranged in the crushing seat box and the rotating shaft rod is rotatably connected with the power motor.



21: 2021/07167. 22: 2021/09/27. 43: 2021/11/03
51: A01G; C07D

71: Qingdao Agricultural University

72: Chen Zhao, Miao Zhang

54: TECHNOLOGY OF SEPARATING URACIL FROM PHELLINUS FUNGUS

00: -

The invention discloses a kind of method separating uracil from phellinus fungus (*Phellinus igniarius* (LexFr) Quel, *phellinus linteus* (BerketCurt) Teng, *Phellinus baumii*, *Phellinus hartigii* (AlleschetSchnabl) Imaz). First of all, the crude extract of phellinus fungus was prepared, then normal phase silica gel chromatography was carried out, petroleum ether and acetone were adopted to conduct gradient elution, followed by TLC detection, then normal phase silica gel chromatography was conducted again, followed by methanol gel chromatography. After PLC detection, the eluate was combined

appropriately and, after drying under pressure, the uracil was obtained.



21: 2021/07177. 22: 2021/09/27. 43: 2021/11/24
51: C07D

71: JIANGNAN UNIVERSITY

72: ZOU, Lianghua, MA, Chengwei, SHAO, Zeyu, WANG, Cheng, REN, Fei, LIU, Shuang, SONG, Yingying

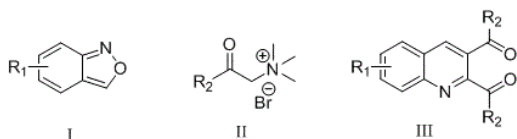
33: CN 31: 202011506295.1 32: 2020-12-18

54: PROCESS FOR SYNTHESIZING 2,3-DIACYLQUINOLINE COMPOUND

00: -

A process for synthesizing 2,3-diacylquinoline compound is disclosed, comprising the steps of: dissolving a benzo[c]isoxazole compound of formula I and an ammonium compound of formula II in an organic solvent, reacting in the presence of a copper catalyst and a base reagent, and purifying the resulting reaction solution, to obtain a 2,3-diacylquinoline compound of formula III. The raw materials used in the present disclosure are cheap, the catalysts used are easily available with small

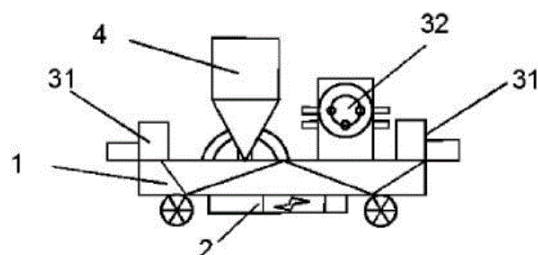
amount, the operation is simple and the scope of application of substrates is broad.



21: 2021/07182. 22: 2021/09/27. 43: 2021/11/24
51: E02D
71: Sichuan University of Science and Engineering, Bizhao Geotechnical Technology (Nanjing) Co., Ltd.
72: SUN, Xinpo, BI, Yuzhang, FU, Xianlei, WU, Haoliang, GUO, Yi, LIU, Yu, LIANG, Junyong, CHEN, Yandan, GAO, Xi'an, DING, Zehao, FU, Shenjing, SONG, Heng, FENG, Zhen, YANG, Ning, LI, Jiaxin

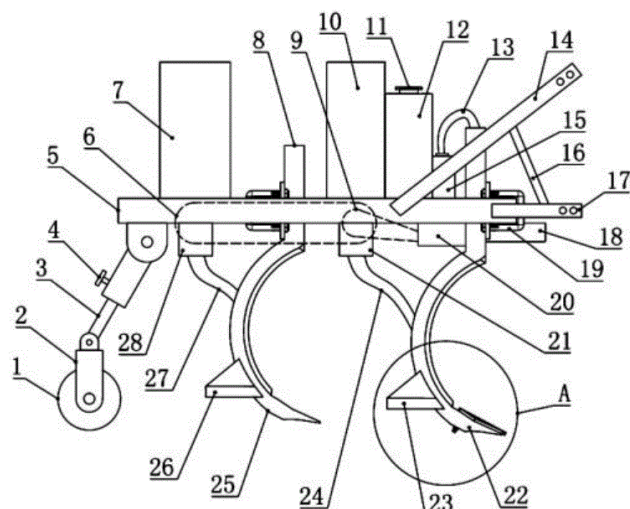
33: CN 31: 202011213785.2 32: 2020-11-04
54: INTELLIGENT SPRAYING TROLLEY FOR REPAIRING HORIZONTALLY BLOCKING SYSTEM OF POLLUTED SITE

00: -
The invention relates to the technical field of artificial intelligence, in particular to an intelligent spraying trolley for repairing a horizontally blocking system of a polluted site, structurally including a movable base, a control system, a detection device, and a spraying device. Through the cooperative collaboration of each device, the invention can directly enter an area with a complex geographical environment or serious pollution, independently detect a target area, spray or inject repairing solution orderly and efficiently, repair and maintain the damaged geomembrane, repair the cracked compacted clay layer, and achieve the final purpose of controlling crack development. The intelligent trolley can be freely switched between an automatic mode and a manual mode, overcomes various geographical difficulties, can also have different spraying ways, and is simple and convenient to operate.



21: 2021/07195. 22: 2021/09/27. 43: 2021/11/03
51: A01C; A01G
71: Qingdao Agricultural University
72: Liu, Shutang, Wei, Wenliang, Zhao, Longgang, Liu, Jintao, Li, Jun, Wang, Zhiqiang, Yu, Chunkai
54: CORN NO-TILLAGE SUBSOILING LAYERED FERTILIZATION PRECISION SOWING MACHINE
00: -

The invention relates to the technical field of agricultural machinery, in particular to a corn no-tillage subsoiling layered fertilization precision sowing machine, which comprises a frame. A precision sowing box, a fertilization box and a medicament box are sequentially fixed on the top of the frame from left to right. A sowing shovel which can be adjusted up and down is arranged on the frame between the precision sowing box and the fertilization box, a seeder is arranged at the bottom of the precision sowing box, and the seeder is connected with the sowing shovel through a sowing hose. The frame on the right side of the medicament box is provided with a subsoiling fertilization shovel which can be adjusted up and down, a fertilizer applicator is arranged at the bottom of the fertilization box, and the fertilizer applicator is connected with the subsoiling fertilization shovel through a fertilization hose. A pump is also arranged at the bottom of the medicament box, and the pump is connected with the subsoiling fertilization shovel through a medicine delivery hose. According to the invention, pesticide application, fertilization, soil covering, sowing and soil covering, soil pressing and water conservation, integrated layered operation can be carried out, the operation efficiency and effect are improved. The invention has a good development prospect in agricultural production.



21: 2021/07196. 22: 2021/09/27. 43: 2021/11/03
51: A01B

71: Qingdao Agricultural University
72: Liu, Shutang, Wang, Anzhen, Wei, Wenliang,
Liu, Jintao, Wang, Min, Li, Jun, Wang, Shuangji,
Jiang, Xue, Wang, Zhiqiang, Yu, Chunkai

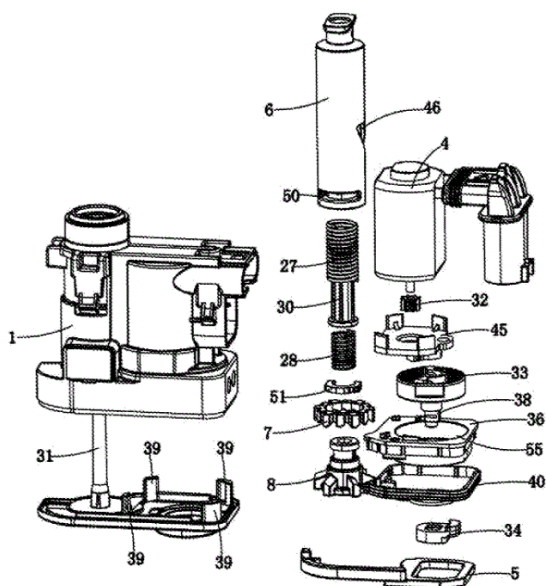
54: MICROBIAL SOIL CONDITIONER AND PREPARATION METHOD THEREOF

00: -
The invention provides a microbial soil conditioner and a preparation method thereof. The raw material composition of the soil conditioner, in parts by weight, includes: 0.4-2 parts of compound microbial inoculum, 1.5-3 parts of phosphatase, and modified medical stone 10-15 parts, 1-4 parts of attapulgite, 3-6 parts of shell mineral powder, 6-12 parts of seaweed powder, 6-12 parts of soybean meal powder, 6-12 parts of coconut shell powder, 0.6-3 parts of accelerator, 5-10 parts of hydroxypropyl-beta-cyclodextrin. The preparation process includes the steps of probiotic culture, ingredients, strain insertion, granulation, and drying. The soil conditioner prepared by the above formula and preparation method has good water absorption capacity and strong water retention capacity, and the water absorption rate can reach 200-240g/g. After the accelerated drying test at 80 degree, the water retention time can reach 20-25h, and it has excellent effects of improving soil structure and improving soil fertility. It is a soil conditioner suitable for popularization.

21: 2021/07202. 22: 2021/09/27. 43: 2021/11/24
51: B60K; E05B

71: Ningbo Huakai Electronic Technology Co. LTD
72: SUN, Yunfei, ZHOU, Junchen
33: CN 31: 201911379132.9 32: 2019-12-27
54: VEHICLE MICRO-ACTUATOR APPLIED TO AUTOMOTIVE FUEL TANK COVER OR CHARGING BOX COVER

00: -
The patent for invention relates to an automobile micro actuator, which applies to the cover of an automobile fuel tank or the cover of a charging case, including a casing. The casing comprises a motor chamber and a locking chamber. The motor chamber is provided with electric locking components, which comprises a motor, transmission components and locking components from top to bottom. The locking chamber is provided with manual locking components, which comprise a rotary push rod, a driving sleeve and a rotary sleeve from top to bottom. The locking components comprise a locking base in the motor chamber, a locking tab for locking the rotary sleeve, and a hook arm for connecting the locking base and the locking tab. A passage suitable for the hook arm is provided between the motor chamber and the locking chamber. The wall of the locking chamber is provided with a locking hole. The passage is connected with the locking hole. The locking tab can pass through the locking hole and form an interference fit with the rotary sleeve. In the present invention, as the rotary sleeve is located at the component of the last link of the manual locking components, the interaction force between the locking tab and the rotary sleeve is relatively small, which can effectively reduce the risk of wear and tear of locking pieces.



21: 2021/07351. 22: 2021/09/30. 43: 2021/11/24
51: A23L

71: Crop Research Institute, Shandong Academy of Agricultural Sciences

72: GONG, Kuijie, SUN, Linlin, LI, Xiaoyue, CHEN, Lirong, LIU, Kaichang, GUO, Yuqiu, XIA, Haiyong

54: WHOLE GRAIN CHINESE STEAMED BREAD PREPARED FROM FRESH WAXY CORN AND PREPARATION METHOD THEREOF

00: -

The present disclosure provides a whole grain Chinese steamed bread prepared from fresh waxy corn and a preparation method thereof. The preparation method comprises the following steps: (1) washing the fresh waxy corn kernels clean, or quickly thawing the quick-frozen fresh waxy corn kernels; (2) preparing a fresh waxy corn kernel slurry and performing a viscosity reduction treatment; (3) mixing the fresh waxy corn kernels with water, and beating into a paste; (4) mixing the product obtained in the step (3) with the product obtained in the step (2); (5) mixing the yeast with the product obtained in the step (4) uniformly; (6) mixing the wheat flour and gluten with the product obtained in the step (5) uniformly, then kneading, fermenting, cutting, molding, proofing, steaming, and cooling, to obtain a finished bread.

21: 2021/07352. 22: 2021/09/30. 43: 2021/11/24
51: C23C

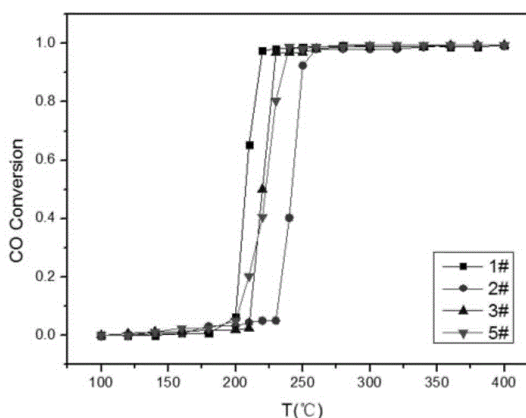
71: Beijing University of Technology

72: Guizhen Zhang, Zeyuan He, Yameng Xu, Shuzhen Li, Xiaodong Yang, Hong He

54: AN IMPROVED ALD METHOD FOR DEPOSITING CeO2

00: -

The method for depositing CeO₂ by an improved Atomic Layer Deposition (ALD) method relates to the technical field of noble metal catalysis. The catalyst regeneration involved in the invention mainly comprises the following steps: weighing a certain amount of tetrakis (2,2,6,6-tetramethyl-3,5-heptanedionato) cerium, (Ce(TMHD)₄) and a certain amount of commercial catalyst Pd/Al₂O₃ in the glove box and mix them into the polytetrafluoroethylene lining, sealing, taking out, heating in an oven, taking out and putting into a muffle furnace, and roasting in an air atmosphere to obtain Pd/Al₂O₃.



21: 2021/07353. 22: 2021/09/30. 43: 2021/11/24
51: G06Q

71: Institute of Animal Sciences, Ningxia Academy of Agricultural and Forestry Sciences, Lanzhou University

72: Tianhui Yang, Ting Gao, Chuan Wang, Fujiang Hou, Xiaochun Wang, Weidi Yang

54: A METHOD FOR PREDICTING YIELD AND QUALITY OF THE ALFALFA GRASS

00: -

The invention discloses a method for predicting yield and quality of the alfalfa grass, and relates to the technical field of agriculture. The method of the invention comprises: building the regression model by acquiring the growth time of the alfalfa grass and the indicator data of yield and nutritional quality corresponding to the growth time; or, building the regression model by acquiring the greater or equal to 0C accumulated temperature of the alfalfa grass

and the indicator data of yield and nutritional quality corresponding to the accumulated temperature; predicting the yield and nutritional quality of the alfalfa grass in the next year and determining the best harvest time of the alfalfa grass by putting the growth time or the greater or equal to OCC accumulated temperature of the alfalfa grass to be analyzed into the corresponding regression model. The method of the invention is characterized by less climate effect, simpleness, practicability, rapidness, convenience, accuracy and low cost; therefore, this method is suitable for agricultural product enterprises, agricultural cooperatives, individual farmers and other small and medium-sized production units. This method can save a lot of money and time for small and medium-sized agricultural production units. To a certain extent, the production cost of forage can be reduced, and the production efficiency of forage can be improved.

21: 2021/07354. 22: 2021/09/30. 43: 2021/11/24
51: E21B

71: Hohai University, Hebei University of Engineering

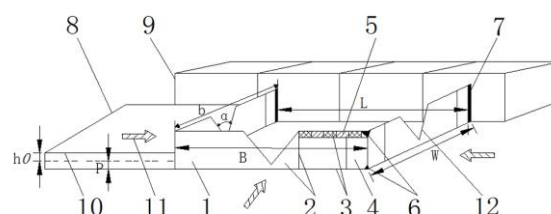
72: Luan, Qinghua, Fu, Xiaoran, Liu, Jinjie, Li, Yang, Lv, Rulan, Xu, Huan, Li, Huayue, Li, Bin, Shi, Hongyuan

54: FLOW/OVERFLOW DISCHARGE MONITORING DEVICE FLOWING THROUGH RAIN PERFORATED STRAINER

00: -

The invention discloses a flow/overflow discharge monitoring device flowing through rain perforated strainer, which comprises a thin-walled triangular weir, a fluorescent water gauge, a telescopic adjusting chute, a rectangular thin plate, a night reflective strip, a weir body connecting device, a curbstone fixing device, surface precipitation runoff, curbstone, surface runoff water level, water flow direction, a rectangular rain grate, a thin-walled weir notch, an arc curved surface and a linear-shaped groove. According to the invention, by setting a thin-walled triangular weir, a fluorescent water gauge, a telescopic adjusting chute, a rectangular thin plate, a night reflective strip, a weir body connecting device, a curbstone fixing device, surface precipitation runoff, curbstone, surface runoff water level, water flow direction and a rectangular rain grate are arranged, the device can achieve the functions of

quick observation, convenience for carrying and on-site layout, and is suitable for monitoring surface precipitation runoff on urban street; the width of the triangle weir can be adjusted and applied to flow/overflow monitoring of rain perforated strainers of various specifications, which can improve the monitoring ability of urban precipitation runoff.



21: 2021/07355. 22: 2021/09/30. 43: 2021/11/24
51: C12N; C12Q

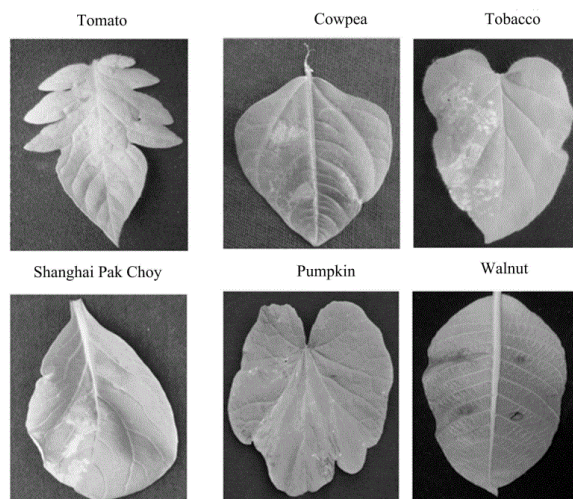
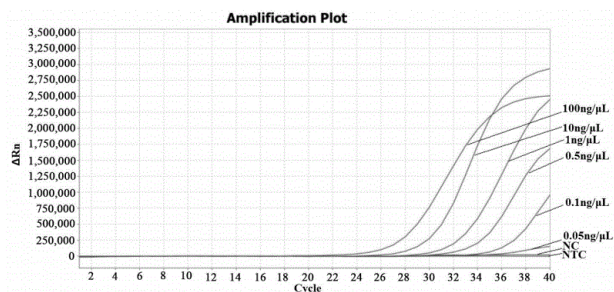
71: SHAANXI LIFEGEN CO., LTD.

72: DAI, Jiaxin, LU, Lu, LV, Yawei, YANG, Yu, XIAO, Lei

54: FLUORESCENT PCR METHOD FOR DETECTING HLA-B*15:02 ALLELE AND SPECIFIC PRIMER PROBE COMBINATION THEREOF

00: -

Disclosed is a fluorescent PCR method for detecting HLA-B*15:02 allele and a specific primer probe combination. In the present disclosure, a set of primers and probes are designed based on an HLA-B*15:02 specific SNP gene locus by using TaqMan probe technology, combining another set of primers and probes corresponding to the internal reference gene Beta-Actin, and a set of primer probe for non-HLA-B*15:02 genes are designed to detect whether a DNA sample contains an HLA-B*15:02 gene and whether a sample is homozygous or heterozygous. Compared with the similar detection methods in the past, the technical scheme in the present disclosure inherits the advantages of high specificity, high throughput, high resolution, low cost, simple and convenient operation, process controllability and the like of the fluorescent PCR, and may detect whether a sample is homozygous or heterozygous.



21: 2021/07356. 22: 2021/09/30. 43: 2021/11/24
 51: A01N; C08B; C12N; C12R; A01P
 71: Northwest A and F University, Weinan
 Dongwang Nonghua Biological Technology Co., Ltd.
 72: HAN, Lirong, SUN, Yubo, WU, Hao, TANG,
 Shiqi, GU, Lihua, TIAN, Xiangrong
 33: CN 31: 202110797798.7 32: 2021-07-14
**54: STREPTOMYCES SP. HL-66, AND
 FERMENTATION PRODUCT, MICROBIAL
 INOCULANT, AND USE THEREOF**
 00: -

The present disclosure relates to the technical field of microorganisms and plant immune inducers, and in particular to *Streptomyces* sp. HL-66, and a fermentation product, a microbial inoculant, and use thereof. The strain was deposited at the China General Microbiological Culture Collection Center (CGMCC) on June 8, 2021, with an accession number of CGMCC No. 22674. The *Streptomyces* sp. HL-66 of the present disclosure can metabolize polysaccharide A. With broad-spectrum antiviral and antibacterial activity, the *Streptomyces* sp. HL-66 can arouse resistance of plants per se to a plurality of fungal and viral diseases, and possess broad application prospects in controlling agricultural diseases.

21: 2021/07359. 22: 2021/09/30. 43: 2021/11/24
 51: G01B
 71: Qingdao University of Technology
 72: Liang Li, Zhiliang Liu, Dongxian Li, Houlai Lin,
 Liang Xu, Kaiqi Meng, Chunli Li, Xuesong Chu,
 Shibao Lu
 33: CN 31: 202110542818.6 32: 2021-05-19
**54: A METHOD FOR DETERMINING THE DATA
 WEIGHT OF TUNNEL MONITORING POINTS**
 00: -

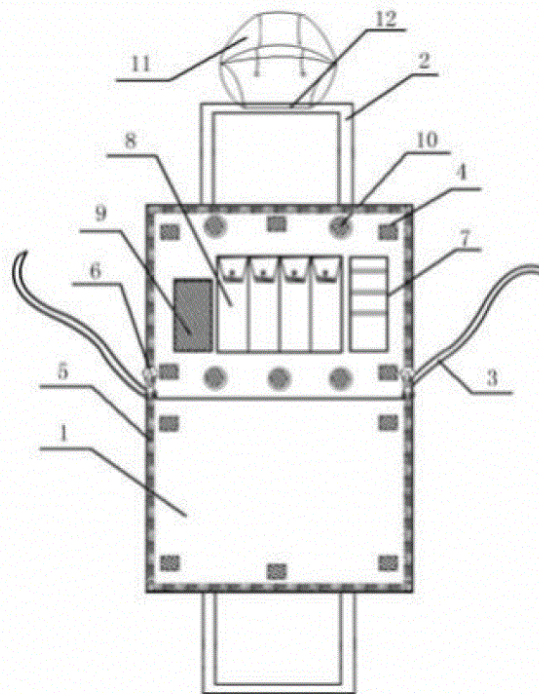
A method for determining the data weight of tunnel monitoring points, relating to the technical field of safety risk assessment, comprising the following steps: step 1, according to the different distance from the tunnel, assign initial weights to the monitoring point data that are at the same step in the extensometer; step 2, deduct the distance of different monitoring point data in the same extensometer and obtain the updated weight assignment. By considering the distance from monitoring points of different steps in different extensometers to the tunnel surface, the invention quantifies the contribution rate of the monitoring data of different monitoring points to the tunnel safety, and overcomes the hidden safety risk of the traditional equal weight assignment method assuming that each tunnel monitoring data value has the same weight, which makes the monitoring data more of reference significance. It can deeply excavate the effective information of the tunnel monitoring points, and effectively guarantee the safety of the tunnel.

According to the tunnel monitoring plan, obtain the number of extensometers m , the number of measuring points in each extensometer n and the distance to the tunnel surface $d(i,j)$, $i=1, 2, \dots, m$; $j=1, 2, \dots, n$.

Start from the tunnel surface, select the first step monitoring points in different extensometers, calculate the initial weights according to formula (1), and calculate the initial weights of the next step monitoring points in sequence.

Start from the first extensometer, use formula (2) to calculate the updated weights of monitoring points on every extensometer.

bag is convenient to carry; when there are many articles, the work bag can be folded in reverse, thus avoiding the situation that the work bag is unable to be closed due to many articles.



21: 2021/07360. 22: 2021/09/30. 43: 2021/11/24
51: A45C
71: Crop Research Institute, Shandong Academy of Agricultural Sciences
72: Cheng Dungong, Li Faji, Liu Jianjun, Li Haosheng, Cao Xinyou, Zi Yan, Zhai Shengnan, Liu Aifeng, Wang Xiaolu, Han Ran, Liu Cheng, Guo Jun, Liu Jia, Xu Wenjing

54: WHEAT SCIENTIFIC RESEARCH WORK BAG
00: -

The invention provides a wheat scientific research work bag, which belongs to the field of agricultural operations. According to the technical scheme, the wheat scientific research work bag comprises a rectangular base layer, wherein lifting straps are arranged on both sides of the short side of the base layer, a retaining strap is arranged in the middle of the long side of the base layer, and buckles and zippers are arranged on both sides of the long side of both sides of the base layer; the outer surface of the base layer is provided with a sundries pocket, a sample pocket and a water cup pocket. The work bag has the advantages that various bags are arranged in the work bag, which is convenient for workers to classify and place various articles required for work; after the work bag is spread flat, the work bag has a larger area, which can protect the human body of workers; when folded, the work

21: 2021/07361. 22: 2021/09/30. 43: 2021/11/24
51: A61K
71: Pearl River Fishery Research Institute, Chinese Academy of Fishery Sciences
72: Sun Chengwen, Lai Yingtiao, Tao Jiafa, Jiang Xiaoyan, Zhao Changchen, Gong Hua, Liu Chunhua, Chen Zonghui, Huang Zhibin

54: COMBINED INACTIVATED VACCINE OF AEROMONAS VERONII AND AEROMONAS HYDROPHILA AND LARGE-SCALE PREPARATION METHOD THEREOF
00: -

Bacterial hemorrhagic septicemia outbreaks in freshwater fish often occur in the aquaculture industry, and the most closely related pathogenic bacteria are mainly *Aeromonas veronii* and *Aeromonas hydrophila*, which cause more than 80 percent of bacterial septicemia. The present invention relates to the combined inactivated vaccine of *Aeromonas veronii* and *Aeromonas hydrophila* and a large-scale preparation method thereof. The combined inactivated vaccine of *Aeromonas veronii* and *Aeromonas hydrophila* described in the present

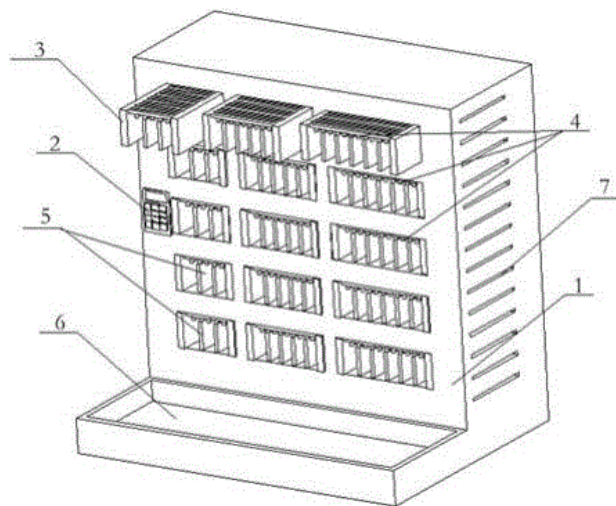
invention includes the following components: *Aeromonas veronii* culture inactivated solution, *Aeromonas hydrophila* culture inactivated solution. The present invention also provides a large-scale preparation method of the combined inactivated vaccine of *Aeromonas veronii* and *Aeromonas hydrophila*. It is characterized as follows: by expanding the culture of pathogenic bacteria *Aeromonas veronii* and *Aeromonas hydrophila* step by step, culturing the above two pathogenic bacterial solutions separately in 500L fermenters, adding formaldehyde liquid inactivation, mixing and stirring *Aeromonas veronii* culture inactivation solution and *Aeromonas hydrophila* culture inactivation solution in 1:1 ratio, and then aseptically filling, the finished product of *Aeromonas veronii* and *Aeromonas hydrophila* combined inactivated vaccine is obtained. The vaccine can prevent bacterial septicemia in freshwater fish, and the protection rate of freshwater fish such as crucian carp and grass carp can reach more than 80 percent by injection and more than 50 percent by immersion. The present invention overcomes the shortcomings of a single inactivated vaccine targeting only one pathogenic bacterium, and provides a combined vaccine to achieve the effect that one immunization can protect against two pathogenic bacteria at the same time, and the vaccine can be applied by injection, immersion or mixed with feed, which is convenient.

21: 2021/07362. 22: 2021/09/30. 43: 2021/11/24
51: A01F
71: Crop Research Institute, Shandong Academy of Agricultural Sciences
72: Li Haosheng, Liu Jia, Dai Haiying, Li Faji, Zi Yan, Zhai Shengnan, Liu Aifeng, Cao Xinyou, Han Ran, Liu Cheng, Guo Jun, Wang Xiaolu, Xu Wenjing, Liu Jianjun, Cheng Dungong

54: A WHEAT SEED STORAGE CABINET

00: -
The invention discloses a wheat seed storage cabinet, belonging to the field of sample storage equipment. According to the technical scheme, the cabinet comprises a cabinet body, wherein the top of the cabinet body is provided with a top plate, the bottom is provided with a bottom plate, the left side, the right side and the rear side are provided with baffles, and the front end is provided with a control panel; a plurality of layered-plates are horizontally

arranged in the cabinet body, and column plates are vertically arranged, and each layer is divided into large, medium and small columns by the column plates; the columns to store can be chose according to the size of the sample bag. The invention has the beneficial effects that: the invention is suitable for storing wheat samples, adopts a sample clip adsorption mode for storage, does not change the original sample bag structure, can directly put the sample bag into the sample cabinet through the sample clip, and can realize remote operation through the wifi module.

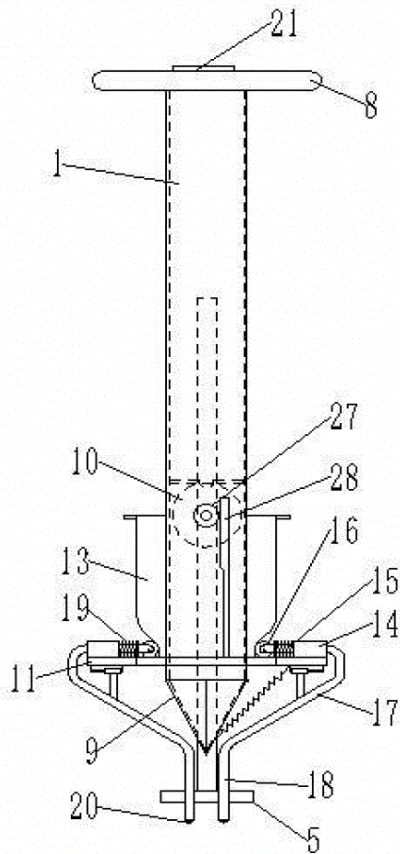


21: 2021/07363. 22: 2021/09/30. 43: 2021/11/24
51: A01C
71: Shanxi Institute of Organic Dryland Farming, Shanxi Agricultural University
72: Zhang Dongmei, Yang Ke, Jiang Chunxia, Zhang Wei, Liu Huatao, Chen Qiong, Liu Enke, Zhai Guangqian

54: DIBBLER FOR DETECTING SUITABLE SOIL MOISTURE IN DRYLAND

00: -
The disclosure relates to a dibbler for detecting suitable soil moisture in dryland, and belongs to the technical field of seed sowers, which provides a soil moisture detecting dibbler for dry land crops. The device is simple in structure, convenient to use, and capable of digging dry soil according to the moisture condition of soil and planting enough moisture. According to the technical scheme adopted by the device, a sliding sleeve is arranged at the rear part of a seed storage barrel, the sliding sleeve is slidably mounted on a support rod, a return spring is arranged between the sliding sleeve and a lower

limit block, a conical discharging nozzle is arranged at the bottom of the seed storage barrel, and a seed metering device is arranged at the lower part of the seed storage barrel; two sides of the lower part of the support rod are also provided with fixing plates, two sides of the seed storage barrel are provided with trajectory cams, the fixing plates are provided with guide sleeves, the guide sleeves are slidably provided with sliding rods, one end of the sliding rods is provided with rollers, and the other end of the sliding rods is connected with a soil scraping plate through connecting rods; a compression spring is arranged between the roller and the guide sleeve, a soil humidity sensor is arranged at the bottom of the soil stripping plate, and a humidity display is arranged at the top of the seed storage barrel; the disclosure is widely used for soil moisture exploration and sowing.

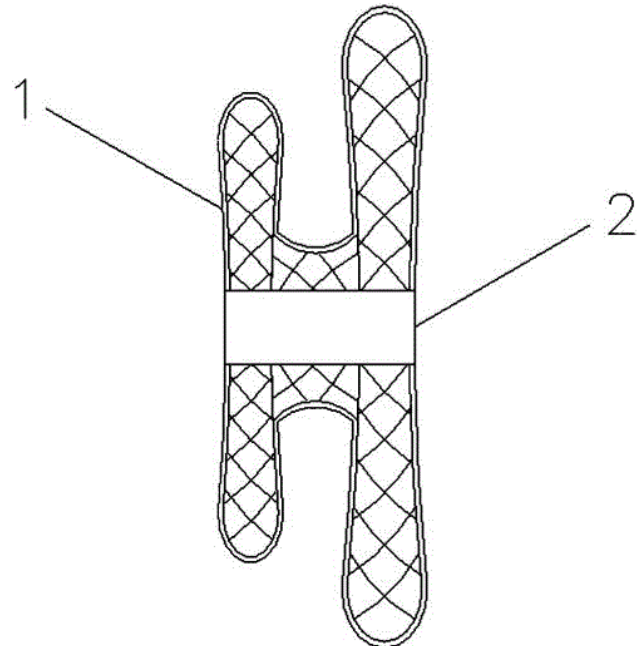


72: Dai Hailong, Jing Zhicheng, Guang Xuefeng, Han Zhiyan

54: A POROUS OCCLUDER FOR ATRIAL SEPTAL DEFECT

00: -

The invention discloses an atrial septal defect occluder and a manufacturing method thereof, and relates to the technical field of medical instruments. The porous atrial septal defect occluder comprises a supporting part and a blocking body, wherein the blocking body is embedded in the central position of the supporting part; a layer of absorbable polymer elastic membrane is coated on the periphery of the supporting part, and the blocking body is provided with reserved holes with different apertures and a plugging umbrella; it can be stably placed at the atrial septal defect position, and the periphery is coated with a layer of absorbable polymer elastic membrane, and meanwhile, the blocking body is provided with reserved holes and conveying structures of different sizes; the structure design is reasonable, the plugging is firm and stable, and shunting the adjustable body-pulmonary can reduce complications, and is suitable for popularization and use in medical institutions.



21: 2021/07364. 22: 2021/09/30. 43: 2021/11/24
51: A61F
71: Yan'an Affiliated Hospital of Kunming Medical University

21: 2021/07365. 22: 2021/09/30. 43: 2021/11/24
51: A01B
71: Shandong Academy of Agricultural Sciences

72: Dong Yumei, Sun Jianlei, Jiao Zigao, Wang Chongqi, Gao Chao, Xiao Shouhua, Huang Kedong, Guang Lanchang, Liu Fengling

54: SEED PRODUCTION AND HIGH YIELD METHOD OF MUSKMELON IN PROTECTED FIELD

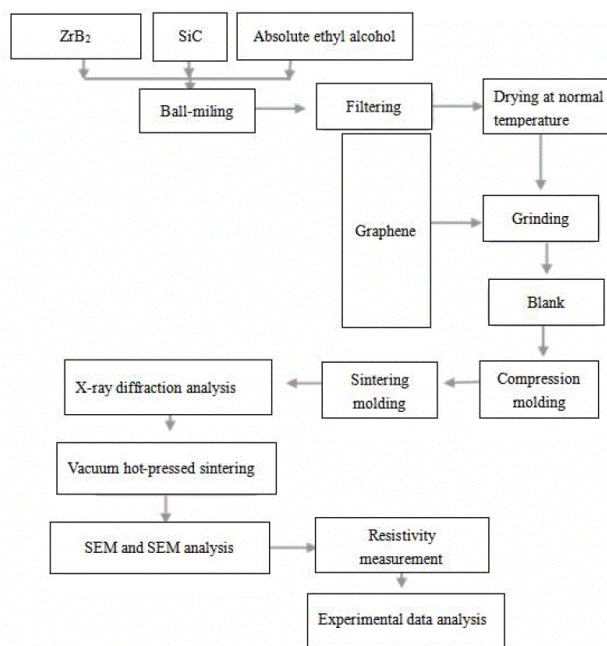
00: -
 The invention discloses a high-yield method for seed production of muskmelon in protected field, in order to solve the problems that the fruits of adjacent pollination nodes cannot develop synchronously and normally after pollination and fertilization, resulting in low rate of double melons, deformity of both melons or one melon, irregular fruit setting and the like. The method comprises the following steps of: firstly, according to the characteristic that muskmelon vine continuously produce fruiting flowers, using a method of small topping pruning, spraying boron fertilizer on leaf surfaces, artificial cross pollination and hormone forchlorfenuron, selecting young fruits at adjacent leaf nodes after artificial pollination and fertilization, and spraying forchlorfenuron at an appropriate concentration at an appropriate time, so as to ensure the balanced development of the two melons and the normal development of fruits, seed cavities and seeds, as well as significantly improve the rate (85 percent) of double-melon in single-vine and the seed production yield, and save the cost.



21: 2021/07366. 22: 2021/09/30. 43: 2021/11/24
 51: C04B
 71: Guangdong University of Petrochemical Technology
 72: Liu Baoliang, Huang Jialiang, Shi Xiaojun, Wang Yining

54: GRAPHENE DOPED ZrB2-SiC COMPOSITE CERAMIC AND PREPARATION METHOD THEREOF

00: -
 The invention discloses a graphene-doped ZrB₂-SiC composite ceramic and a preparation method thereof, belonging to the technical field of ZrB₂-SiC ultrahigh temperature ceramics. The raw materials of the graphene-doped ZrB₂-SiC composite ceramic comprise ZrB₂-SiC composite powder and graphene, wherein the mass ratio of the ZrB₂-SiC composite powder to the graphene is (4-16): 1. According to the invention, the graphene-doped ZrB₂-SiC composite ceramic with compact structure and strong conductivity is prepared by successfully sintering the ceramic composite powder prepared by a mechanical method in two steps.

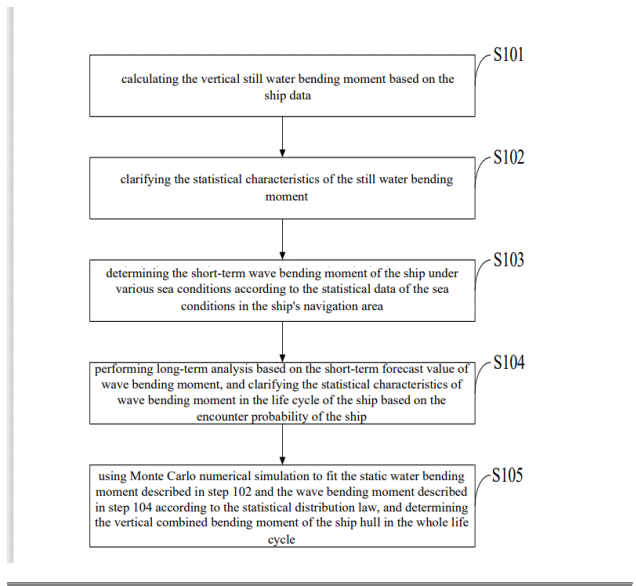


21: 2021/07367. 22: 2021/09/30. 43: 2021/11/24
 51: B63B
 71: Naval University of Engineering
 72: Lin HUA, Shaosong MIN, Zhiyuan HU, Jinlei MOU, Fan WU

54: VERTICAL COMBINED BENDING MOMENT DATA PROCESSING METHOD AND SYSTEM FOR FULL LIFE CYCLE OF CONVENTIONAL SURFACE WARSHIP

00: -
 The present invention belongs to the technical field of marine engineering (ship hull structure design and evaluation), and discloses a vertical combined

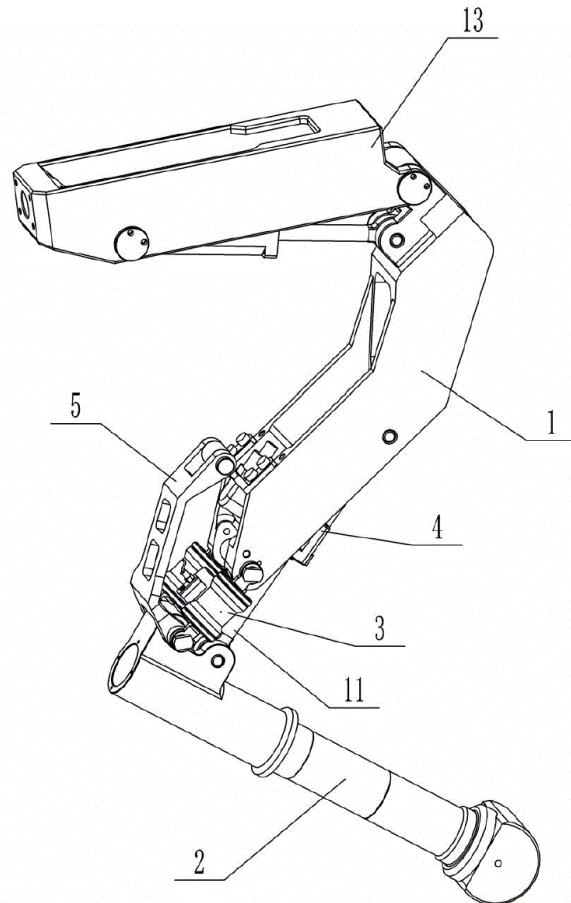
bending moment data processing method and system for the full life cycle of the conventional surface warship, comprising the following steps: clarifying the statistical characteristics of still water bending moments; using regional sea state statistical data to determine short-term wave bending moments under various sea conditions; making long-term analysis based on short-term wave bending moment forecast values, combined with ship encounter probability, clarifying the statistical characteristics of wave bending moments during the life cycle of the ship; using Monte Carlo values to make the simulation method fits the static water bending moment and the wave bending moment according to the statistical distribution law, and determining the vertical combined bending moment of the ship hull in the whole life cycle. Compared with the calculation method given in the specification, the present invention can provide accurate load effects for the design of the ship hull at the design stage and the evaluation of the hull structure of the ship in service, and can provide technical support for the ship's speed reduction and navigating zone service, and can improve economic and military benefits.



21: 2021/07410. 22: 2021/10/01. 43: 2021/12/01
51: B62D

71: Anhui University of Science and Technology
72: HUA, Zisen, SUN, Yaru, LI, Long, TIAN, Xing
54: **SINGLE LEG MECHANISM OF HYDRAULIC LEG ROBOT WITH PASSIVE FLEXIBLE KNEE JOINT**

00: -
The present disclosure discloses a single leg mechanism of a hydraulic leg robot with a passive flexible knee joint. A flexible knee joint assembly disposed therein includes a cylinder and a connection plate; two first piston rods in the cylinder are respectively hinged to an end part of a leg section and an end part of a crus section; one end of the connection plate is hinged to the same position as the first piston rod on the crus section, and the other end is hinged to the end part of the legs section; and a distance between two hinge points of the connection plate is greater than a distance between the hinge points of the two first piston rods. The present disclosure can effectively reduce the contact impact of the sole of the leg structure of the robot on the ground in a moving process.



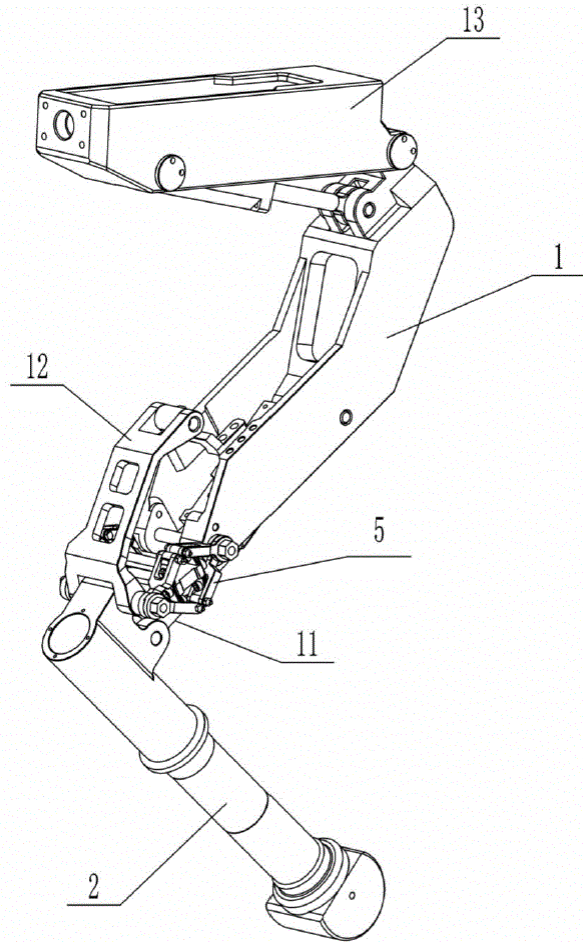
21: 2021/07411. 22: 2021/10/01. 43: 2021/12/01
51: B62D

71: Anhui University of Science and Technology
72: SUN, Yaru, HUA, Zisen, ZHANG, Zhiwei

54: HIGH-RIGIDITY PASSIVE COMPLIANCE DEVICE AND SINGLE LEG MECHANISM OF HYDRAULICALLY DRIVEN LEGGED ROBOT

00: -

The present disclosure discloses a high-rigidity passive compliance device and a single leg mechanism of a hydraulically driven legged robot. The high-rigidity passive compliance device includes rotating shaft and several high-rigidity elastic assemblies hinged to the rotating shafts at intervals. The high-rigidity elastic assembly includes a composite spring plate and two rotating arms. Two ends of the component spring plate are respectively hinged to one end of each of the two rotating arms, and the other ends of the two rotating arms are hinged to the rotating shafts and can rotate around the rotating shafts. The composite spring plates are perpendicular to the rotating shafts. Opening directions of the composite spring plates are the same as opening directions of the two rotating arms. A central angle corresponding to the composite spring plate in a natural state is less than 90 degrees.



21: 2021/07412. 22: 2021/10/01. 43: 2021/11/24
51: F15B

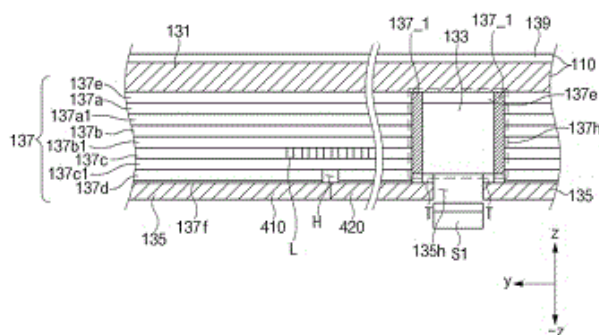
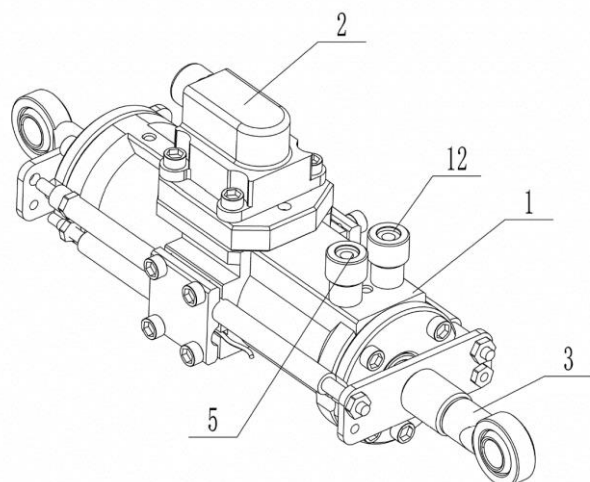
71: Anhui University of Science and Technology
72: HUA, Zisen, SUN, Yaru, WANG, Chengjun
33: CN 31: 202110954212.3 32: 2021-08-19

54: DOUBLE-PISTON-ROD HYDRAULIC SERVO OIL CYLINDER APPLIED TO HYDRAULICALLY DRIVEN LEG ROBOT

00: -

The present disclosure discloses a double-piston-rod hydraulic servo oil cylinder applied to a hydraulically driven leg robot, including a cylinder barrel and an electro-hydraulic servo valve. The electro-hydraulic servo valve is fixed in the middle of a barrel wall of the cylinder barrel; and two piston rods are provided inside the cylinder barrel and are respectively located on two sides of a ringlike step. Several oil holes communicating with the electro-hydraulic servo valve are formed in the middle of the cylinder barrel. In the present disclosure, by the adoption of the single-cylinder-barrel and double-piston-rod

structure, an actual motion range of each piston cylinder is narrowed without changing an effective action travel of the hydraulic servo oil cylinder, so that the adverse effect caused by excessive extension of the piston rod on the stability of a pressing rod of the whole hydraulic oil cylinder is reduced.



21: 2021/07449. 22: 2021/10/04. 43: 2021/10/08
51: G06F; G09F

71: SAMSUNG ELECTRONICS CO., LTD.
72: WOO, JEONG, AN, JUNGCHUL

33: KR 31: 10-2019-0160970 32: 2019-12-05
33: KR 31: 10-2020-0015894 32: 2020-02-10

54: PORTABLE COMMUNICATION DEVICE INCLUDING DISPLAY

00: -

A portable communication device includes: a foldable housing, a flexible display accommodated in the housing and including a first display area that remains substantially flat in a state in which the housing is folded and a second display area that is bendable as the housing is folded, a support located between the flexible display and the housing and including a first area corresponding to the first display area and having a first flexibility and a second area corresponding to the second display area and having a second flexibility greater than the first flexibility, wherein an opening is formed in the first area, and a sensing module accommodated in the housing and including a light receiving sensor at least partially aligned with the opening to sense light passing through the opening.

21: 2021/07494. 22: 2021/10/05. 43: 2021/10/08
51: C07D; A61P; A61K

71: HAISCO PHARMACEUTICALS PTE. LTD.

72: ZHANG, CHEN, LIAO, YUTING, WANG, JIANMIN, ZHU, GUOZHI, YE, FEI, TANG, PINGMING, CHEN, XIAOGANG, HUANG, ZHENGANG, WU, SHOUTAO, LI, YAO, YAN, PANGKE

33: CN 31: 201910454977.3 32: 2019-05-31

33: CN 31: 201910997078.8 32: 2019-10-25

33: CN 31: 201910706239.3 32: 2019-08-02

33: CN 31: 201911291561.0 32: 2019-12-16

54: BTK INHIBITOR RING DERIVATIVE, PREPARATION METHOD THEREFOR AND PHARMACEUTICAL APPLICATION THEREOF

00: -

A BTK inhibitor ring derivative, a preparation method therefor and a pharmaceutical application thereof.

The BTK inhibitor ring derivative is a compound represented by a general formula (I) or a stereoisomer, a solvate, a prodrug, a metabolite, a pharmaceutically acceptable salt or co-crystal thereof, and the BTK inhibitor ring derivative is used to treat BTK-related diseases such as tumors or autoimmune system diseases.

21: 2021/07569. 22: 2021/10/08. 43: 2021/11/24
51: A01G

71: Institute of Horticulture, Sichuan Academy of Agricultural Sciences, Chengdu Longquanyi District Bureau of Agriculture and Rural Development

72: Li Jing, Chen Xiaolan, Jiang Guoliang, Zhi Yurong, Sun Shuxia, Chen Dong, Tu Meiyuan, Liu Jia, Song Haiyan, Zhang Guowei, Wang Shiqiang

54: METHOD FOR PREVENTING SCALE INSECTS

00: -

The disclosure is a method for preventing scale insects, which comprises the following steps:

pruning peach trees after falling leaves and before sprouting, and spraying butane gas on branches attached with scale insects after pruning. The method is simple, low in cost and environment-friendly, and has obvious control effect on scale insects. The method for preventing overwintering female scale insects of peaches has a control rate of 100% and an obvious control effect. The method has strong popularization and applicability. The scale insects not only harm peach trees, but also harm plum, apricot, cherry, apple, grape, walnut, plum, persimmon, loquat, citrus, kiwifruit and so on. The method of the invention is simple, and the control effect is remarkable, so the method has strong popularization and applicability.

21: 2021/07570. 22: 2021/10/08. 43: 2021/11/24

51: A01B; A01G

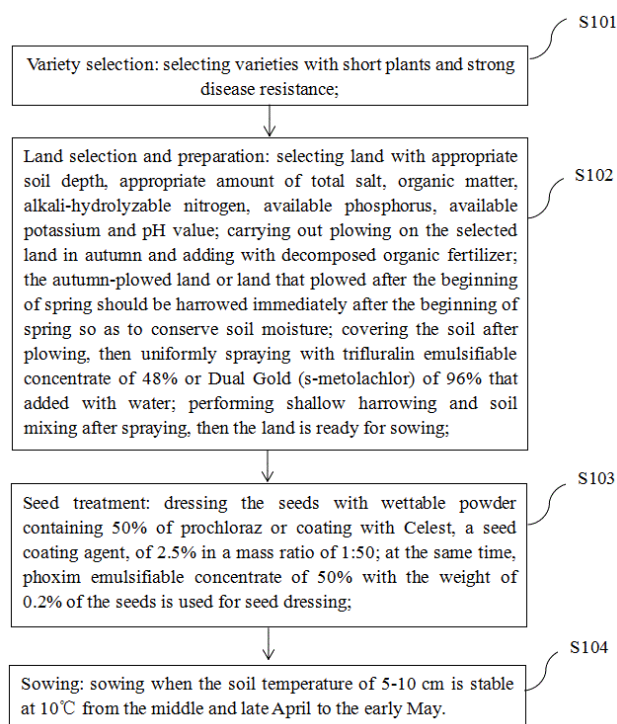
71: Liu Yantao, Deng Tinghe

72: Liu Yantao, Duan Wei, Deng Tinghe, Liu Shengli, Wang Peng, Dong Hongye, Liu Li, Huang Dingcheng

54: METHOD FOR CULTIVATING POLLUTION-FREE CONFECTIONERY SUNFLOWER

00: -

Disclosed is a method for cultivating pollution-free confectionery sunflower, which comprises variety selection, land selection and preparation, sowing, seedling check and reseeding, thinning and final singling, intertillage and weeding, dripping and topdressing, supplementary pollination, pests prevention and control and harvest and cleaning. The disclosure is characterized in that: by adopting pollution-free management measures and production technologies, the method provided for cultivating pollution-free confectionery sunflower systematically solves the problems of pesticide pollution, quality reduction and low yield, the low-cost production of the pollution-free sunflower of healthy growth is achieved thereby. The method breaks through the traditional planting technology and realizes production of confectionery sunflower with high yield, quality and efficiency.



21: 2021/07571. 22: 2021/10/08. 43: 2021/11/24

51: B32B; C23C

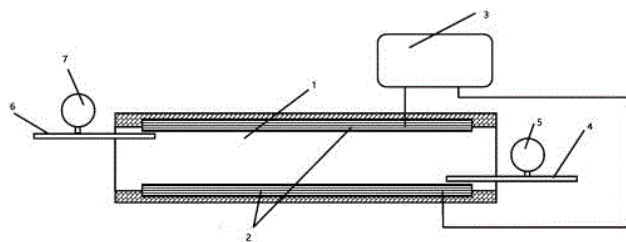
71: Shandong University

72: Zhu Bo, Qiao Kun, Cao Weiwei, Yu Junwei, Yu Liyuan

54: METHOD, PRODUCT AND APPLICATION OF SURFACE METALLIZATION OF ACTIVATED CARBON FIBER FELT FOR HYDROGEN STORAGE

00: -

The invention provides a method, product and application for surface metallization of activated carbon fiber felt for hydrogen storage, the method includes carbonizing and activating the carbon fiber felt to obtain an activated carbon fiber felt, and performing metallization treatment on the activated carbon fiber felt, including placing it in a metal treatment liquid with electric current for ultrasonic treatment. The invention has simple process, convenient operation, low cost, and good uniformity of the surface treatment of monofilament fibers, the method can effectively control the type and layer thickness of the metal layer on the fiber surface, and the treated activated carbon fiber felt with a metal layer can be applied in the field of hydrogen storage.

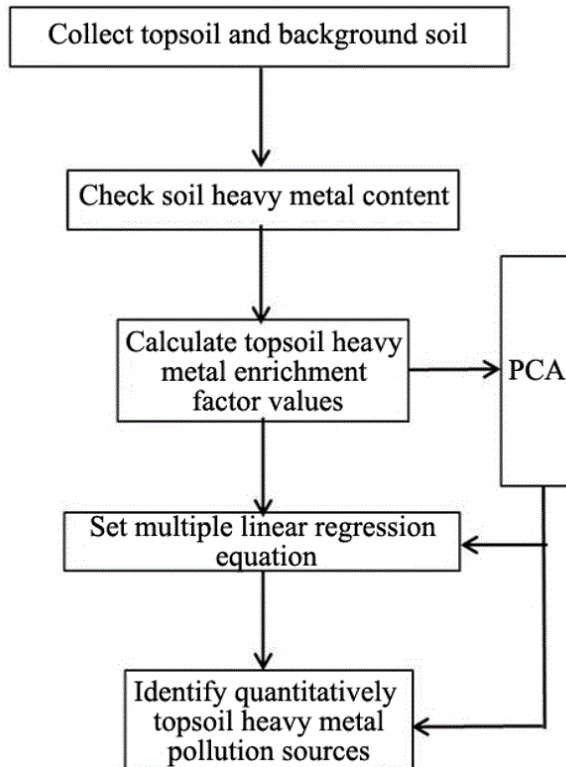


21: 2021/07572. 22: 2021/10/08. 43: 2021/11/24
51: G01N

71: LINYI UNIVERSITY
72: JIAO, Wei, LI, Bao

54: QUANTITATIVE IDENTIFICATION METHOD OF TOPSOIL HEAVY METAL CONTAMINATION SOURCES CALCULATED BASED ON ENRICHMENT FACTOR VALUES

00: -
The present invention discloses a quantitative identification method of topsoil heavy metal contaminant sources calculated based on enrichment factor values, comprising collecting topsoil and underlying background soil from a region, and measuring heavy metal content values; calculating enrichment factor values of topsoil heavy metals; conducting principal component analysis based on the enrichment factor values and identifying quantitatively primary pollution sources of the topsoil heavy metals; taking as a dependent variable standardized total heavy metal enrichment factor values and as an independent variable loadings of different components by the principal component analysis, and establishing a multiple linear regression equation; and identifying quantitatively relative pollution contribution rates of different source components in the topsoil heavy metals according to magnitude of coefficients of the regression equation. And beneficial effects of the present invention are that relative pollution contribution rates of different sources and components can be quantitatively identified, which is accurate and effective.



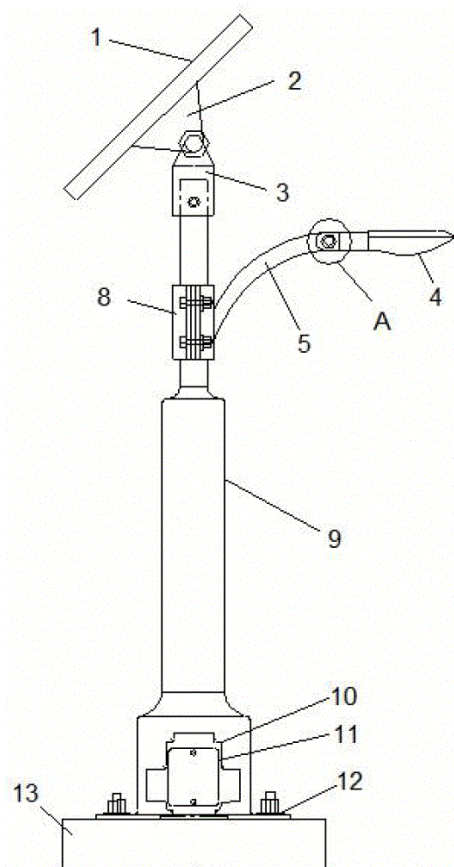
21: 2021/07573. 22: 2021/10/08. 43: 2021/11/24
51: F21S

71: Shandong University of Science and Technology
72: Zhu Youfeng, Jin Zancheng, Wan Yuchu

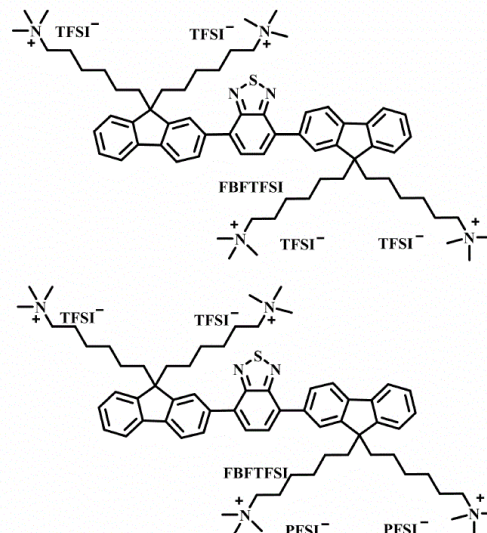
54: SOLAR STREET LAMP BASED ON FLYWHEEL BATTERY

00: -
The invention discloses a solar street lamp based on flywheel battery, which comprises a lamp pole, wherein the lamp pole is sequentially divided into an overhaul section, a supporting section and an installation section from bottom to top; a base is detachably connected to the bottom end of the overhaul section of the lamp pole; a photovoltaic module is detachably connected to the top end of the installation section of the lamp pole; an installation part is fixedly sleeved on the installation section of the lamp pole, and a supporting rod is fixedly connected to the installation part, and a street lamp is installed at the end of the supporting rod; the overhaul section of the lamp pole is provided with a cavity in which a flywheel battery is installed, and the flywheel battery is fixed on the base; the photovoltaic module is electrically connected with the flywheel battery, and the flywheel battery is electrically connected with the street lamp. According to the

invention, the optimal lighting angle of the photovoltaic panel can be achieved by adjusting the orientation of the photovoltaic module; by adjusting the height of the installation part on the lamp pole, the optimal illuminating angle of the street lamp can be achieved. The flywheel battery is used to store energy, which effectively solves the problems of poor recovery ability of the battery's state of charge, low charging constant current ratio and short service life.



ring and 4,7- dibromobenzothiadiazole are subjected to Suzuki coupling reaction for the first time to prepare fluorene and benzothiadiazole compounds; The final products can be obtained by trimethylamine ionization and lithium ion exchange of bis trifluoromethane sulfonimide or BIS pentafluoroethane sulfonimide. The side chain contains polar ionic groups and F atoms, which makes the polymer not only form dipoles at the interface, reduce the interface potential barrier and improve the interface contact, but also realize the processing of polar non halogen solvents such as N, N-dimethylformamide and dimethyl sulfoxide, which is environmentally friendly. In addition, due to the existence of F atoms, the material has the function of hydrophobicity and improves its stability in air, so as to improve the stability of the device. The device efficiency based on the interface layer has exceeded 11%.



21: 2021/07574. 22: 2021/10/08. 43: 2021/11/24
51: C01G; H01M

71: Nanchang Hangkong University
72: Zhou Dan, Xu Zhentian, Xu Haitao, Tong Yongfen, Lv Ruizhi, Xie Yu, Hu Bin, Li Mingjun

54: PREPARATION METHOD OF CATHODE INTERFACE LAYER WITH HIGH AIR STABILITY

00: -

The invention discloses two preparation methods of cathode interface layers with high air stability, which are as follows: 2-(9,9- bis (6- bromohexyl) -9H-fluorene) -4,4,5,5- tetramethyl-oxyboron heterocyclic

21: 2021/07575. 22: 2021/10/08. 43: 2021/11/24
51: A61K; A61P

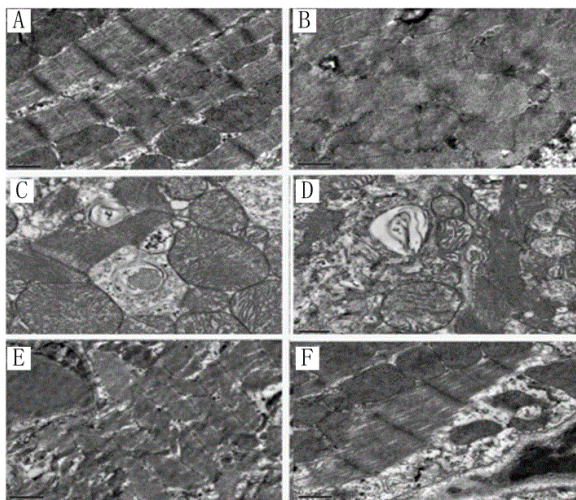
71: Jiangxi Normal University
72: SONG, Chunhui, XIE, Zhengxia, LI, Lin, GONG, Zhigang, CHEN, Hongtao

33: CN 31: 202110499735.3 32: 2021-05-08

54: USE OF CARDIOTONIC COMPOSITION IN PREPARATION OF MEDICINE FOR BLOCKING DIABETIC CARDIOMYOPATHY (DCM) THROUGH AUTOPHAGY MECHANISM OF DCM CARDIOMYOCYTE

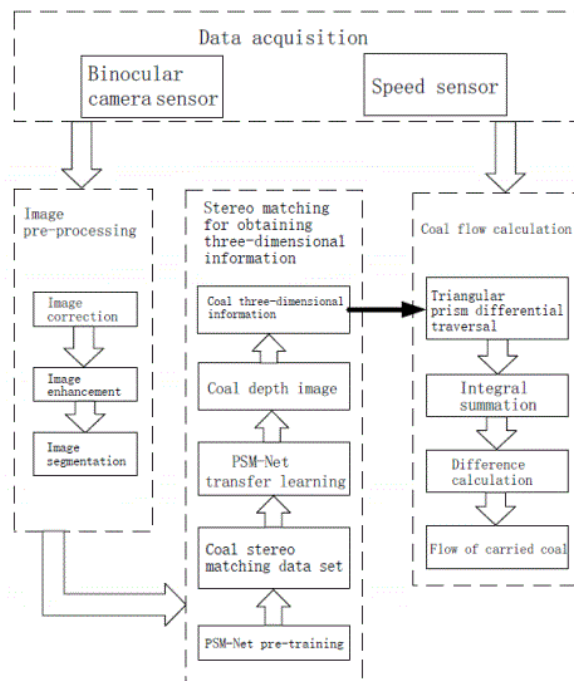
00: -

The present disclosure relates to use of a cardiotoxic composition in preparation of a medicine for blocking diabetic cardiomyopathy (DCM) through an autophagy mechanism of a DCM cardiomyocyte. In the present disclosure, a DCM rat model is replicated, and changes in blood glucose and blood lipid in a rat are detected. An adenosine monophosphate activated protein kinase (AMPK) and mechanistic target of rapamycin (mTOR) signaling pathway and an expression of downstream mitochondrial autophagy-specific proteins tuberous sclerosis 2 (TSC2) and Ras homolog enriched in brain (RHEB) of the AMPK-mTOR signaling pathway, as well as an expression of cardiomyocyte autophagy-related proteins Beclin1, microtubule-associated protein light chain 3 I (LC3-I) and LC3-II are detected. It is confirmed that the cardiotoxic composition can block the process of the DCM by stimulating an AMPK-mTOR-mediated autophagy mechanism of the DCM cardiomyocyte. The disclosure provides a new way for treating the DCM.



21: 2021/07576. 22: 2021/10/08. 43: 2021/11/24
 51: G01B; G06T
 71: China University of Mining and Technology
 72: YANG, Chunyu, GU, Zhen, ZHANG, Xin, ZHOU, Linna, DAI, Wei, MA, Lei, WANG, Guoqing
 33: CN 31: 202011509023.7 32: 2020-12-18
54: DEEP TRANSFER LEARNING-BASED BINOCULAR VISION MEASUREMENT METHOD OF COAL FLOW OF BELT CONVEYOR
 00: -
 The present invention discloses a deep transfer learning-based binocular vision measurement

method of coal flow of a belt conveyor, including: performing coal image pre-processing according to a Bouguet image correction algorithm, a histogram equalization image enhancement algorithm, and a Hough transformation image segmentation algorithm; performing transfer learning on a pre-trained PSM-Net model according to coal stereo matching data sets, constructing a deep learning model for a coal stereo matching task, and performing coal three-dimensional information calculation by using a binocular vision measurement principle; and calculating the volume of a loaded rubber belt by using triangular prism grid differential traversal summation, and obtaining the flow of carried coal by calculating a difference between an unloaded rubber belt and the loaded rubber belt. According to the present invention, non-contact type measurement is realized by using binocular vision to acquire data.

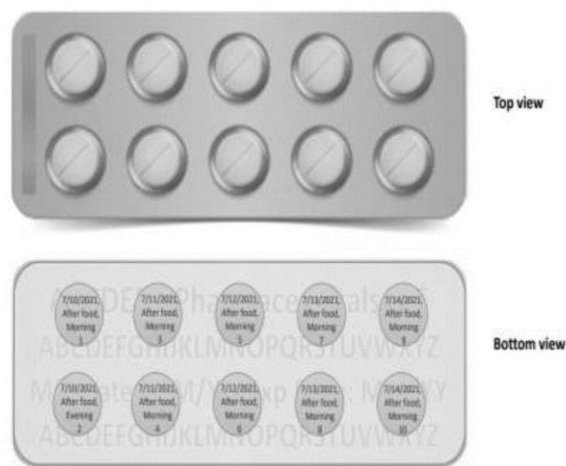


21: 2021/07578. 22: 2021/10/08. 43: 2021/11/24
 51: B65B
 71: Dr Manish Kumar Thimmaraju, Dr A Mohathasim Billah, Dr Goje Arjun, Mr Vijaya Kumar Meher, Dr P. Venkatesan
 72: Dr Manish Kumar Thimmaraju, Dr A Mohathasim Billah, Dr Goje Arjun, Mr Vijaya Kumar Meher, Dr P. Venkatesan

54: NOVEL STICK PROOF SEMI GLASSY FORMULATION LABELS FOR ENHANCING MEDICATION COMPLIANCE

00: -

The present invention relates to traceability in number of medicines and effective medication compliance by using semi glassy formulation labels. The formulation labels made up of semi-transparent tape which made them non-sticky by enabling its easy removal; and facilitates re-sticking to the surface. The formulation labels are printed in any local language or English or in combination of languages with essential information such as dosage regimen or dosage directions with prescription terms to increase the patient compliance. The transparency of these labels may be between 5 to 45%. The label may also contain the serial number of medicines to be taken by the patient/ user.



21: 2021/07597. 22: 2021/10/08. 43: 2021/10/13
51: A61K

71: SOUTHEAST UNIVERSITY

72: YANG, FANG, LI, MINGXI, GU, NING

33: CN 31: 201910260442.2 32: 2019-04-01

54: PLATELET MEMBRANE SELF-ASSEMBLY NANOBUBBLE, AND PREPARATION METHOD AND APPLICATION THEREOF

00: -

A platelet membrane self-assembly nanobubble, and a preparation method and application thereof. The preparation process comprises the following steps of: (1) performing repeated freezing and thawing on platelets, and obtaining a purified platelet membrane vesicle suspension after washing; and performing homogenization by means of a water bath ultrasonic

effect; and (2) implementing self-assembly and reorganization of platelet membrane fragments on a gas-liquid interface after the homogenized platelet membrane vesicle suspension is subjected to ultrasonic cavitation fragmentation or gas-liquid mixing repeated extrusion, so as to construct and form a platelet membrane-coated nanobubble. The preparation method of the platelet membrane nanobubble is simple; and the nanobubble which has a nanometer size and retains the natural properties of the platelet membrane has high biocompatibility and vascular injury targeting, and can be used for ultrasound imaging diagnosis of a vascular injury part, thereby solving the problem of difficult targeted ultrasound imaging diagnosis of early small micro-lesions of cardio-cerebrovascular diseases.

21: 2021/07605. 22: 2021/10/08. 43: 2021/11/24
51: A61F

71: WUHAN YOUNGSEN BIOTECH CO., LTD.

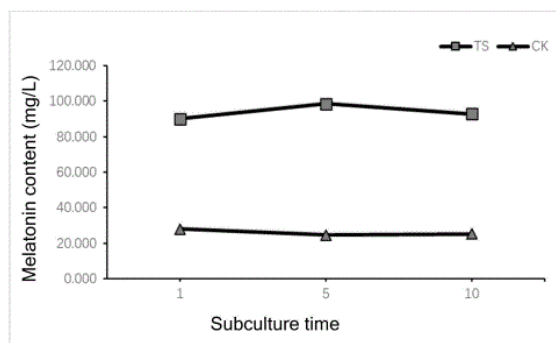
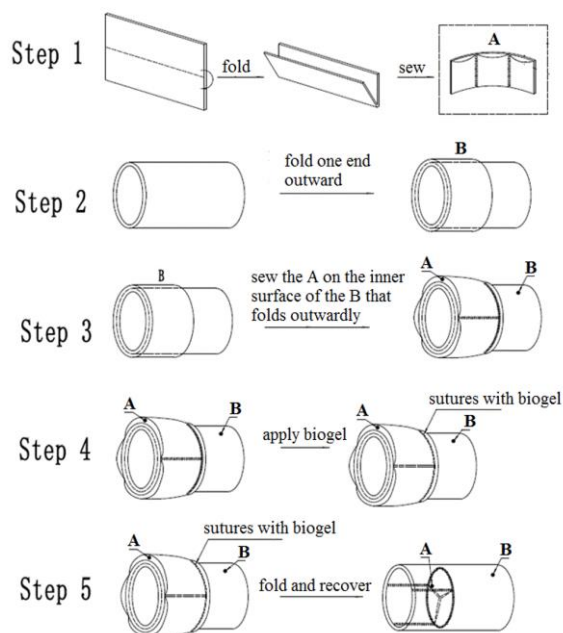
72: OUYANG, Chenxi, YAN, Tuo, LIU, Sishi, JIAO, Pei, LIU, Yawen, LONG, Xing

33: CN 31: 201910210738.3 32: 2019-03-20

54: VALVED VASCULAR PROSTHESIS AND MANUFACTURING METHOD THEREOF

00: -

The present invention provides a valved vascular prosthesis and a manufacturing method thereof. The valved vascular prosthesis, comprising an artificial blood vessel and a valve disposed inside for obstruction; the valve is in a skirt state extending toward the centerline of the artificial blood vessel; the valve is made by sewing a tubular vascular material on the artificial blood vessel; one end of the vascular material is connected to the artificial blood vessel along its radial direction, and the other end is a free end; the entire tubular body of the vascular material is sewed on the artificial blood vessel by a plurality of sutures; the sutures are radially parallel to the tubular body of the vascular material, and are arranged at intervals along the circumference of the tubular body of the vascular material. The valved vascular prosthesis of the present invention adopts suture of a polymer material and an artificial blood vessel. When the valved vascular prosthesis is implanted into human body, the valved part is implanted together. The process is simple, easy to mold and has good biocompatibility.



21: 2021/07609. 22: 2021/10/11. 43: 2021/12/01
 51: C12G; C12N; C12P; C12R
 71: TAISHAN UNIVERSITY, SHANDONG AGRICULTURAL UNIVERSITY

72: QIN, Weishuai, YAO, Yuxin, ZHANG, Na, JIA, Runpu

33: CN 31: 202110140188.X 32: 2021-02-02

54: WINE YEAST SACCHAROMYCES CEREVISIAE WITH HIGH MELATONIN PRODUCTION AND USE THEREOF

00: -
 The present disclosure discloses a wine yeast *Saccharomyces cerevisiae* with high melatonin production and use thereof, and belongs to the technical field of wine brewing. In the present disclosure, a wine yeast *Saccharomyces cerevisiae* TS001 with high melatonin production has been deposited in the China General Microbiological Culture Collection Center (CGMCC) on January 7, 2021, with a biological deposit number of CGMCC NO.21601. The wine yeast *Saccharomyces cerevisiae* strain bred by the present disclosure can increase a content of the melatonin in a wine by more than 4 times during wine production. The wine yeast strain bred in the present disclosure is used for alcohol fermentation to effectively increase the content of the melatonin in the wine and improve health-care value of the wine.

21: 2021/07610. 22: 2021/10/11. 43: 2021/12/01
 51: G01N

71: China University of Mining and Technology, Shale Gas Research Institute of PetroChina Southwest Oil & Gasfield Company
 72: Chen Shangbin, Wang Yiwen, Wu Jianfa, Zhang Jian, Zhao Shengxian, Wang Yang, Wang Huijun, Li Xueyuan

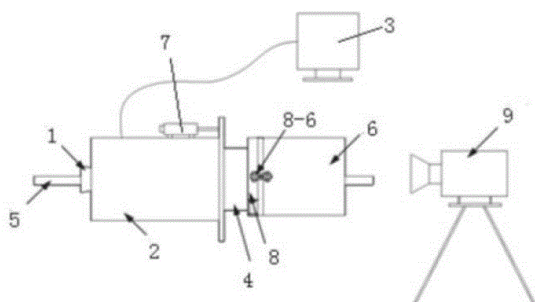
54: COMPREHENSIVE CHARACTERIZATION METHOD OF SHALE FULL-SCALE PORE STRUCTURE HETEROGENEITY CHARACTERISTICS

00: -
 The invention discloses a comprehensive characterization method of shale full-scale pore structure heterogeneity characteristics, belonging to the technical field of unconventional oil and gas exploration and development, the fractal dimension of shale macropores is calculated by Menger fractal theory; the fractal dimension of shale mesopores is calculated by FHH fractal model, and the fractal dimension of shale micropores is calculated by micropore media fractal theory. Micropores are the main factors that affect the heterogeneity of shale pore structure, and the specific surface area of pores increases with the increase of micropores. Therefore, the ratio of the specific surface area of pores in different pore size sections to the total specific surface area of full pore size sections is used as a weighted value to calculate the comprehensive fractal dimension of shale pore structure, and a classification standard for heterogeneity of marine facies, land-sea transitional facies and continental facies shales is proposed, which comprehensively characterizes the complexity and heterogeneity of shale pore structure from both quantitative and qualitative aspects, and provides a basis for fine characterization of shale reservoirs.

21: 2021/07611. 22: 2021/10/11. 43: 2021/12/01
 51: G01N
 71: Shandong Jianzhu University
 72: HAN, Jianyong, WANG, Jun, LIU, Dong, YOU, Xiaozhuang, ZHANG, Xuecong, REN, Xiexu, LI, Tiantian, XU, Dehao, ZHANG, Rongzhen, WU, Wenzhi

54: TENDON PULL-OUT TEST SYSTEM AND METHOD

00: -
 The present invention relates to a tendon pull-out test system and method. The system includes a fixing piece used to fix one side end part of a tendon; a loading piece used to apply a load in an axial direction of the tendon to a test piece threaded with the tendon; and a rotation angle measurement device including a carrier ring capable of being fixed with the test piece. A base plate is fixed on one side end surface of the carrier ring; the carrier ring is provided with a gap; the base plate is provided with a pointer at a gap position and is rotatably connected with a rotating piece extending into the carrier ring; a dial is coaxially fixed at a periphery of the rotating piece; and the inside of the rotating piece is slidably connected with a locking piece used to be locked with the tendon.

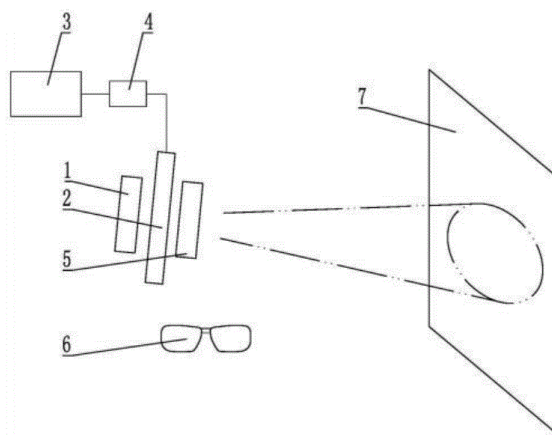


21: 2021/07612. 22: 2021/10/11. 43: 2021/12/01
 51: F21V; G02B; G02F
 71: WEIFANG UNIVERSITY
 72: DAI, Changzhi, ZHAO, Jiaqiang, CAO, Lianzhen

54: LIGHTING DEVICE WITH FEATURE OF INVISIBLE TELEPROMPTER

00: -
 Disclosed is a lighting device with a feature of an invisible teleprompter, including a light source, a liquid crystal panel, a prompt caption signal generating module, a liquid crystal panel driving module, a lens module, and polarized glasses. The device of the disclosure is scientifically designed and

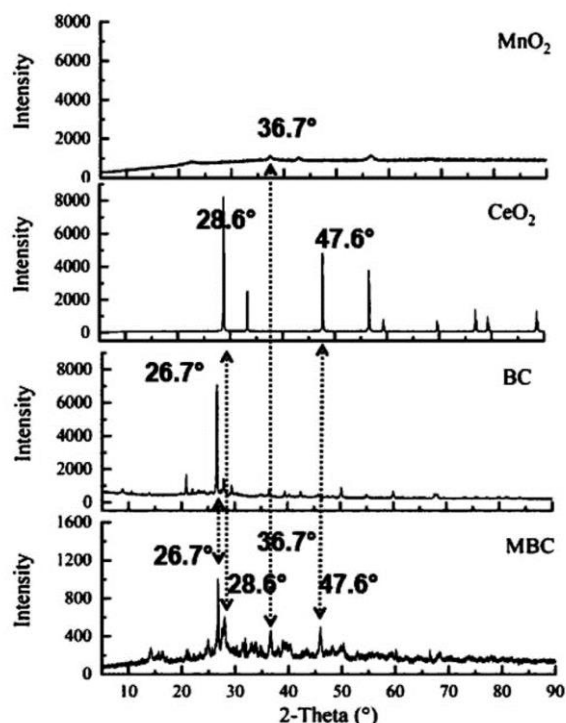
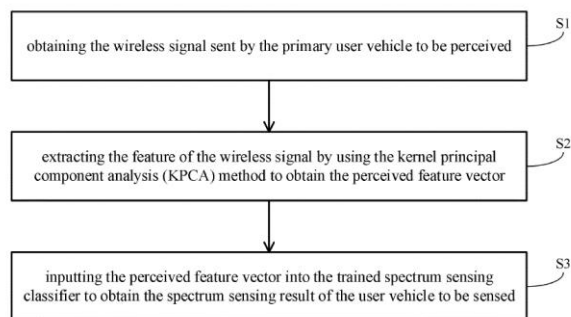
convenient to use and is particularly suitable for use in filming or TV program making to prompt the actors when they forget their lines.



21: 2021/07613. 22: 2021/10/11. 43: 2021/12/01
 51: H05K
 71: Qingdao University of Science and Technology
 72: Xu Lingwei, Duan Yanyan, Zhou Xinpeng, Chen Zhe, Gao Zhihe

54: INTELLIGENT SPECTRUM SENSING METHOD FOR COGNITIVE INTERNET OF VEHICLES

00: -
 The invention discloses an intelligent spectrum sensing method for cognitive Internet of vehicles, comprising: obtaining the wireless signal sent by the primary user vehicle to be perceived; extracting the feature of the wireless signal by using the kernel principal component analysis(KPCA) method to obtain the perceived feature vector; inputting the perceived feature vector into the trained spectrum sensing classifier to obtain the spectrum sensing result of the user vehicle to be sensed; the training process of the spectrum sensing classifier includes: taking the feature vector to be trained as the input and the spectrum sensing result of the primary user vehicle to be trained as the output, the convolutional neural network(CNN) is trained to obtain the spectrum sensing classifier. The invention can improve the spectrum sensing accuracy and spectrum utilization under low SNR.



21: 2021/07614. 22: 2021/10/11. 43: 2021/12/01
51: B01J

71: Institute of agricultural environment and sustainable development, Chinese Academy of Agricultural Sciences

72: Lianfang Li, Ting Liang

54: A KIND OF MODIFIED BIOCHAR WITH ITS PREPARATION METHOD AND APPLICATION THEREOF

00: -

The invention provides a kind of modified biochar with its preparation method and application thereof, and belongs to the technical field of heavy metal remediation in soil and water. In the invention, manganese and cerium are adopted to load the biochar, and the loading of manganese and cerium greatly improved the adsorption and fixation capacity of the biochar for arsenic; meanwhile, the loading of manganese and cerium increased the specific surface area of biochar, and further improved the arsenic adsorption effect of modified biochar.

Example data show that the specific surface area of the modified biochar provided by the invention is 6.10-8.36 m².g⁻¹, and the arsenic adsorption capacity can reach 96.13 mg/g; when the modified biochar is used to remove arsenic from soil, and when the added amount of the modified biochar is 1-10% of the soil weight, the passivation efficiency is 70.59-94.72% for red soil, 75.24-98.35% for yellow soil and 76.53-99.61% for purple soil.

21: 2021/07615. 22: 2021/10/11. 43: 2021/12/01
51: C04B

71: Shihezi University, Fifth Division Tian Fuyuan new building materials Co., Ltd.

72: Wang Yushan, Wang Rui, Yuan Jie, Jiang Zhenyang, Liao Huan, Wang Haifeng, Zhou Yang, Yang Zhihui, Zeng Xiaoyun, Wang Di

54: SAND AUTOCLAVED AERATED CONCRETE BLOCK AND ITS PROCESSING METHOD

00: -

The invention relates to a novel building wall material and a processing method. A desert sand autoclaved aerated concrete block comprises the following raw materials in percentage by mass: 50-60 percent of desert sand, 25-35 percent of cement, 3-5 percent of gypsum and 5-17 percent of quicklime, the density of foaming agent aluminum powder is 0.1-0.3 kg/m³, and the mix proportion is as follows: the water-material ratio is 0.6-0.65. The processing method includes the following steps: sending desert sand and water as raw materials into a ball mill for grinding and pulping to form slurry with a water-material ratio of 1.6-1.65; crushing the quicklime; stirring the aluminum powder into a suspension with a concentration of 4.5-5 percent by a stirrer and storing the suspension in a storage tank for later use; adding the regulator gypsum after stirring, adding the aluminum powder suspension

before pouring the materials, and stirring to obtain the slurry; and pouring, curing, demoulding and cutting to form a green bod, and carrying out steam curing to obtain a finished product. The product according to the invention has advantages of light bulk density, strong machinability, and is most suitable for masonry and infilled walls in villages and towns. The method of the product has the advantages of simple operation, cost saving, economy and practicality.

21: 2021/07616. 22: 2021/10/11. 43: 2021/12/01
51: A61K

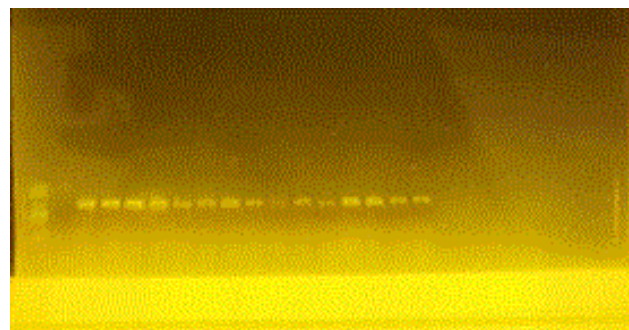
71: Institute of Chinese Materia Medica, China MEDICO Corporation

72: Zhu Guangwei, Qu Yuanzhang, Li Baoguo, Ma Shengjun, Li Gang, Cao Lijuan, Kang Yajuan, Jiang Hengli, Wang Shuangshuang, Ma Xianghui

54: QUALITY CONTROL METHOD OF SHAOYAO-GANCAO-DECOCTION

00: -

The invention belongs to the technical field of traditional Chinese medicine analysis, and particularly relates to a quality control method of Shaoyao-Gancao-Decoction. The quality control method of Shaoyao-Gancao-Decoction provided by the invention comprises a test solution preparation step, a reference solution preparation step and an ultrahigh liquid chromatography detection step. The qualitative and quantitative analysis of the index components in Shaoyao-Gancao-Decoction can be realized by the above quality control method, which provides an important reference for the quality evaluation and clinical application of Shaoyao-Gancao-Decoction. By optimizing the chromatographic conditions of ultra-high performance liquid chromatography detection, the responsiveness of index components can be improved, which is conducive to improving the accuracy of index component content detection, and realizing the attribution and content determination of complex chemical components in Shaoyao-Gancao-Decoction.



21: 2021/07617. 22: 2021/10/11. 43: 2021/12/01
51: A01G

71: Zhongkai University of Agriculture and Engineering

72: Wang Fenglan, Huang Zifeng, Wu Qing, Xia Hanhan

54: HIGH-YIELD PLANTING METHOD OF CHRYSANTHEMUM

00: -

The invention discloses a high-yield planting method of chrysanthemum, and relates to that technical field of agricultural planting. The planting method comprises the following steps: land preparation: turning over the land, ridging and putting lime in winter every year, and spraying the lime-sulfur mixture in spring next year; transplanting: applying diammonium phosphate and potassium sulfate to the field, then transferring the cuttage seedlings to the field, covering with soil and compacting after planting, and pouring root fixing water; weeding and ridging: weeding on the planting land where transplanted seedlings survive and ridging; pinching: pinching for three times, and spraying calcium superphosphate aqueous solution after pinching; within 4 days after spraying calcium superphosphate fertilizer, exposing seedlings to illumination at night everyday; spraying foliar fertilizer: spraying foliar fertilizer on the leaves of plants after budding; and harvesting: harvesting when the flower heart scatters. By adopting the above planting method, both yield and quality can be improved.

21: 2021/07618. 22: 2021/10/11. 43: 2021/12/01
51: A01C; C05G

71: Zhongkai University of Agriculture and Engineering

72: Wang Fenglan, Huang Zifeng, Zhou Hougao, Luo Honghui, Qiu Minde, Li Zhimei

54: SPECIAL CONTROLLED RELEASE FERTILIZER FOR CHRYSANTHEMUM AND PREPARATION METHOD THEREOF

00: -

The disclosure is a special controlled release fertilizer for chrysanthemum and a preparation method thereof, belonging to the technical field of slow and controlled release fertilizers. The special controlled release fertilizer for chrysanthemum consists of slow-release granules of nitrogen, phosphorus and potassium and coated potassium fertilizer. The raw materials of the nitrogen, phosphorus and potassium slow-release granules comprise oxamide, phosphate fertilizer, potassium fertilizer and bentonite; the raw materials of the coated potash fertilizer include coating materials, potash fertilizer and zeolite powder. According to the fertilizer requirements of chrysanthemums, the special controlled release fertilizer for chrysanthemums is beneficial for cultivating chrysanthemum plants with thick stems, which are beautiful with large flowers and rich color.

21: 2021/07619. 22: 2021/10/11. 43: 2021/12/01
51: B01D; B01J; C01B

71: Shaoxing University

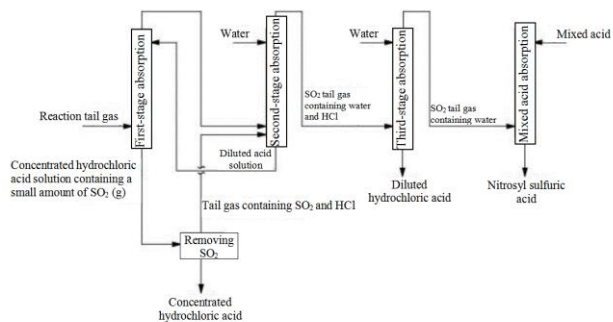
72: Shen Runpu, Dong Huaping, Chen Bin, Sheng Guodong, Liu Wei, Gao Xiaozhong, Xu Huiting, Song Xiaohua

54: REGENERATION PROCESSING OF REACTION TAIL GAS

00: -

Disclosed relates to a regeneration processing of reaction tail gas, and belongs to the technical field of recovering volatile gas from tail gas, which is comprised of first-stage absorption, N stages of intermediate absorption and mixed acid absorption; in the first-stage absorption, water is used as an initial absorbent, wherein tail gas is processed into liquid material, from which concentrated hydrochloric acid is formed after removing SO₂ (g); in the intermediate absorption, water is used as absorbent, and the recoverable liquid generated is used as a supplemental absorbent back to the first-stage absorption; tail gas free of HCl (g) is delivered to an oxidizing mixed acid for absorption, wherein SO₂ (g) in that tail gas is converted to nitrosyl sulfuric acid. The disclosure can be applied to the regeneration and treatment of waste gas containing hydrogen chloride and sulfur dioxide with advantages of high

removal efficiency, stable removal performance and the like.



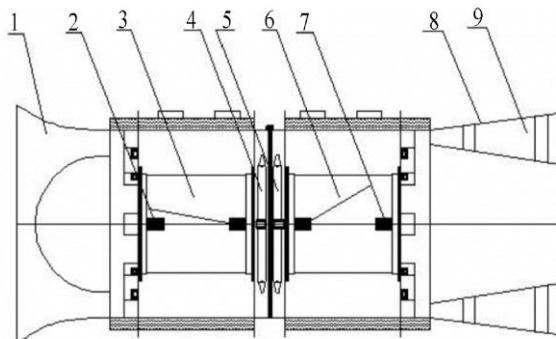
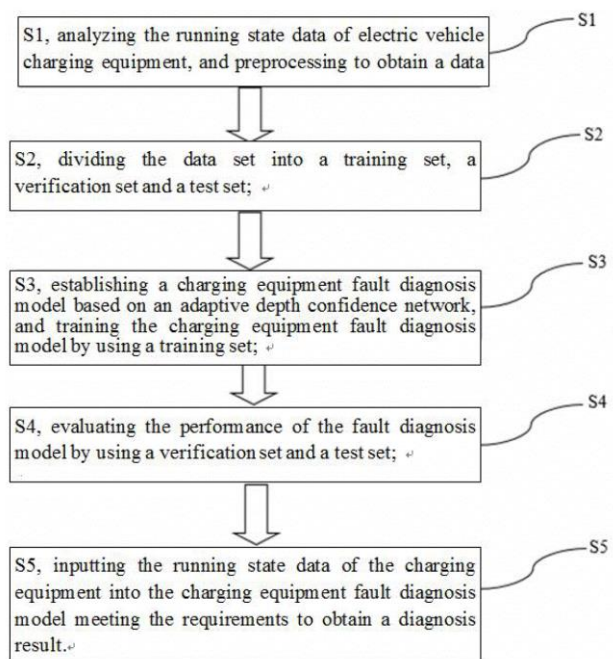
21: 2021/07620. 22: 2021/10/11. 43: 2021/12/01
51: G05B; H04B

71: Lanjiang Qinghu (Beijing) Technology Co., Ltd
72: Fang Xiang

54: METHOD AND SYSTEM FOR FAULT DETECTION OF CHARGING FACILITIES BASED ON DEEP LEARNING

00: -

The invention discloses a charging facility fault detection method and system based on deep learning, which comprises the following steps: step 1, analyzing and preprocessing the running state data of electric vehicle charging equipment to obtain a data set; step 2, dividing the data set into a training set, a verification set and a test set; step 3, establishing a charging equipment fault diagnosis model based on an adaptive depth confidence network, and training the charging equipment fault diagnosis model by using a training set; step 4, evaluating the performance of the fault diagnosis model by using a verification set and a test set; step 5, inputting the running state data of the charging equipment into the charging equipment fault diagnosis model meeting the requirements to obtain a diagnosis result. According to the invention, the measurement accuracy problem of the intelligent electric energy meter is solved, charging equipment is accurately and efficiently detected, the consumption of time and financial cost is reduced, and the management work efficiency is improved.



21: 2021/07621. 22: 2021/10/11. 43: 2021/12/01
51: F04D; H02K

71: China University of Mining and Technology, Beijing, Nanjing University of Aeronautics and Astronautics

72: NIE, Baisheng, ZHOU, Jin, LI, Xiangchun, MENG, Junqing, CAO, Liuji, GAO, Qiang

33: CN 31: 202011079726.0 32: 2020-10-10

54: MAGNETIC-LEVITATION AUXILIARY FAN FOR MINE

00: -

A magnetic-levitation auxiliary fan for mine is provided, which includes a shell unit and a ventilation unit installed inside an outer shell. The ventilation unit includes an inner shell, a sheath, a magnetic bearing, an electromagnetic coil, a stator, a rotor, a rotating shaft, an impeller and a limited rolling ball. The magnetic bearing includes an inner magnetic ring, an outer magnetic ring and a bearing bush. The inner magnetic ring is fixed on the rotating shaft by the bearing bush. The outer magnetic ring is fixed to the sheath by the bearing bush. The rotating shaft is rotatably connected to the sheath in a non-contact manner by the magnetic bearing and the limited rolling ball, and the electromagnetic coil is configured for levitating the inner magnetic ring.

21: 2021/07626. 22: 2021/10/11. 43: 2021/12/01
51: B01J

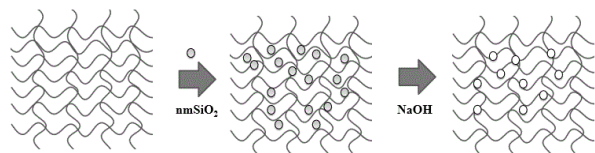
71: Qingdao University of Science & Technology, Qingdao Keda Future Biotechnology Co., LTD

72: Xie Wancui, Yang Xihong, Song Lin, Che Hongxia, Dong Xiufang, Li Hongyan, Lu Kuan, Guo Hao

54: THE PREPARATION METHOD AND APPLICATION OF MALIC ACID-CHITOSAN NANOPOROUS HYDROGEL MICROSPHERES

00: -

The present invention discloses a method and application of malic acid-chitosan nanoporous hydrogel microspheres, which belongs to the technical field of ensuring the safety of aquatic food and preparing biosorbents for paralytic shellfish toxins; the preparation method for preparing malic acid-chitosan nanoporous hydrogel microspheres disclosed in the present invention specifically includes the following steps. Making a hydrogel with malic acid and chitosan; then adding nano-silica, glycerin and sodium hydroxide to the hydrogel, and nano-silica dissolves completely to form uniformly distributed nano-pores under alkaline conditions; The malic acid-chitosan nanoporous hydrogel microspheres were prepared by washing, freeze-drying, grinding and sieving. The malic acid-chitosan nanoporous hydrogel microspheres of the present invention can be used as a high-efficiency adsorbent to adsorb and remove paralytic shellfish toxins in water bodies. The preparation method disclosed by the invention is simple, convenient to use, easy to store after drying, which has great application significance for shellfish toxin contamination as well as improving the safety of the products.



21: 2021/07627. 22: 2021/10/11. 43: 2021/11/24
51: B01J; C08K

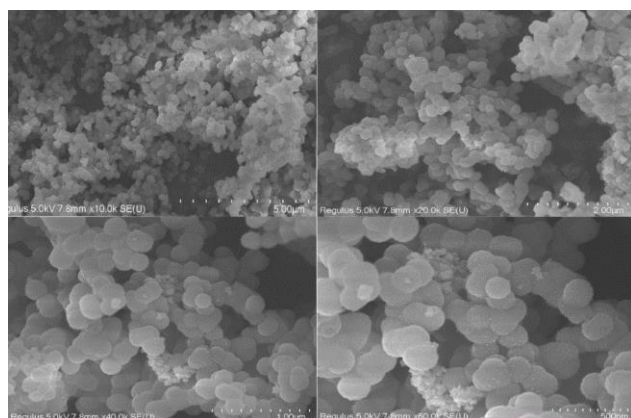
71: Qingdao University of Science & Technology, Qingdao Keda Future Biotechnology Co., LTD

72: Xie Wancui, Yang Xihong, Song Lin, Che Hongxia, Dong Xiufang, Li Hongyan, Dong Zequn, Guo Hao

54: SYNTHESIS, PRODUCT, AND APPLICATION OF A MAGNETIC COVALENT ORGANIC FRAMEWORK DENOTED AS MTFBD-PPD

00: -

The invention discloses a preparation method, product, and application of a magnetic covalent organic framework denoted as mTFBD-PPD, which belongs to the technical field of preparation of toxin adsorbents. The synthetic method was as follows: Briefly, 3,3',5,5'-tetraformyl-4,4'-biphenyldiol and alkali were dissolved in ultrapure water, p-phenylenediamine and magnetic nanoparticles were dispersed in an organic solvent. mTFBD-PPD was obtained by mixing the two solutions. The novel adsorbent mTFBD-PPD was prepared by combining the covalent organic framework material and magnetic nanoparticles, which had a large specific surface area, good thermal stability, strong selectivity. mTFBD-PPD could be quickly separated and reused. It could be used in the adsorption of diarrheal shellfish toxins, which effectively increased the adsorption rate.



21: 2021/07628. 22: 2021/10/11. 43: 2021/11/24
51: A61G; A61M

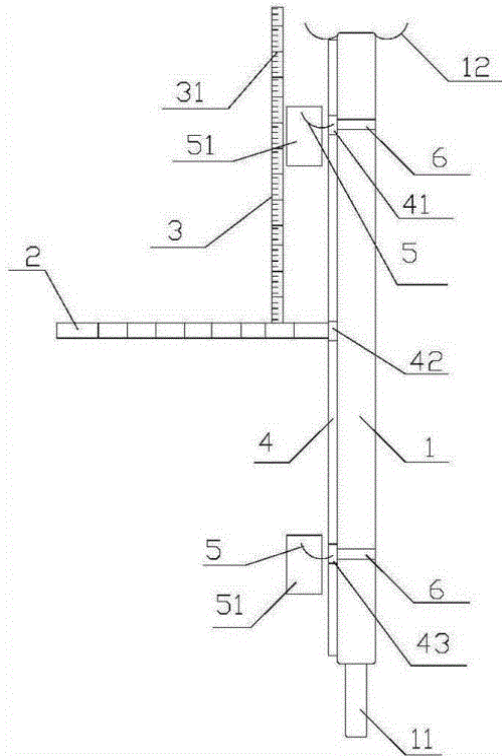
71: The Affiliated Hospital of Youjiang Medical University for Nationalities

72: Peng Hao

54: VENTRICULAR DRAINAGE FIXING DEVICE SUITABLE FOR TRANSPORT VEHICLE

00: -

The invention relates to the field of medical instruments, in particular to a ventricular drainage fixing device suitable for a transport vehicle. The ventricle drainage fixing device comprises a support rod, a first telescopic rod and a second telescopic rod; the support rod is fixed on the bed stall through the bed stall insert; a slide rail is arranged on the support rod, and a first slider, a second slider and a third slider are slidably installed on the slide rail; the first slider and the third slider are provided with hooks and locking pieces; one end of the first telescopic rod is hinged with the second slider; one end of the second telescopic rod is connected with the first telescopic rod, and the second telescopic rod and the first telescopic rod are perpendicular to each other; scale lines are arranged on the second telescopic rod, and the scale lines are arranged along the elongation direction of the second telescopic rod; the zero scale value of the scale line is located at the intersection of the first telescopic rod and the second telescopic rod. According to the invention, the operator can conveniently adjust the zero scale location of the fixing device and adjust the height of the ventricle drainage bottle.



21: 2021/07629. 22: 2021/10/11. 43: 2021/11/24
 51: A61B
 71: The Affiliated Hospital of Youjiang Medical University for Nationalities
 72: Peng Hao

54: BLOOD PRESSURE CUFF OF MULTI-PARAMETER MONITOR

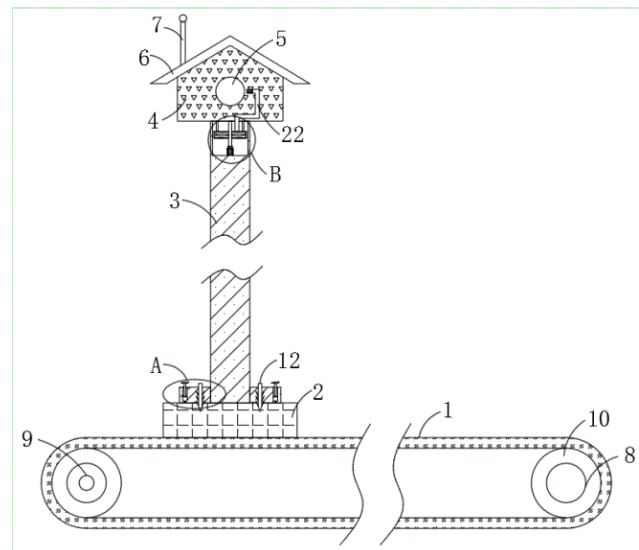
00: -
 The invention relate to medical equipment, in particular to a blood pressure cuff of a multi-parameter monitor. Comprise two blood pressure cuffs and a double-pass tube, wherein that two blood pressure cuff are respectively an adult blood pressure cuff and a child blood pressure cuff, and the two blood pressure cuffs are respectively provided with air ducts; The two-way pipe comprises a main pipe and two branch pipes, one end of the main pipe is used for communicating with a blood pressure monitor, and the other end is communicated with one end of both branch pipes, and the ends of the two branch pipes far away from the main pipe are respectively connected with air ducts on two blood pressure cuff, wherein the two branch pipes are provided with movable valves for controlling the on-off of corresponding branch pipes. According to the invention, the blood pressure cuff

for children and adults can be used alternately, which brings convenience to medical staff.

21: 2021/07630. 22: 2021/10/11. 43: 2021/12/01
 51: B08B; F16M
 71: Central South University of Forestry and Technology

54: TRACK TYPE VISUAL FORESTRY MONITORING DEVICE

00: -
 The present invention discloses a track type visual forestry monitoring device, including a caterpillar band arranged above the ground. The caterpillar band is provided with a moving mechanism; a bearing plate is fixedly mounted on the caterpillar band; an upper end of the bearing plate is fixedly provided with a rigid barrel; the bearing plate and the rigid barrel are provided with the same stability mechanism; a monitoring case is arranged above the rigid barrel; and a monitoring camera is embedded on an outer side wall of a front end of the monitoring case. By the arrangement of the moving mechanism, the stability mechanism, and the rotating mechanism, the present invention can monitor a forest in 360 degrees cyclically in a reciprocating manner, which improves the maneuverability and expands a monitoring range. The monitoring equipment can be fixed by multiple means, and dust on a lens can be cleared away



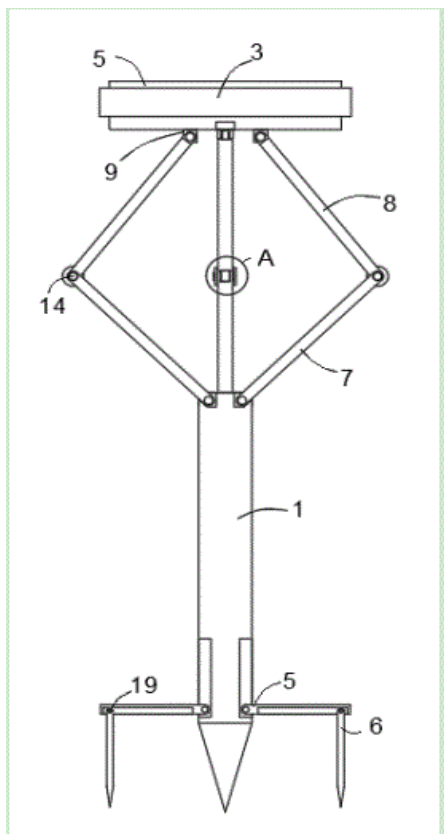
21: 2021/07631. 22: 2021/10/11. 43: 2021/12/01
 51: F16M

71: Central South University of Forestry and Technology
72: ZHANG, Jiang

54: A QUICK-INSTALLED VISUAL MONITORING SUPPORT FOR FORESTRY

00: -

A quick-installed visual monitoring support for forestry comprising a main support. The bottom of the main support is arranged in a taper; the top of the main support is connected with a mounting plate by a plurality of balance adjusting assemblies; the mounting plate is rotatably connected with a controllable rotating ring, the top of the mounting plate is provided with a mounting port, and a clamping assembly is arranged in the mounting port; and the outer side wall of the main support is provided with a plurality of rectangular openings, and the inner wall of each rectangular opening is connected with a balance rod by a stationary shaft. The contact surface between the main support and the ground can be enlarged, and the clamping plates are gathered inwards to stably clamp monitoring device. The rotating rod and the biasing rod can provide a stable support for the monitoring device.

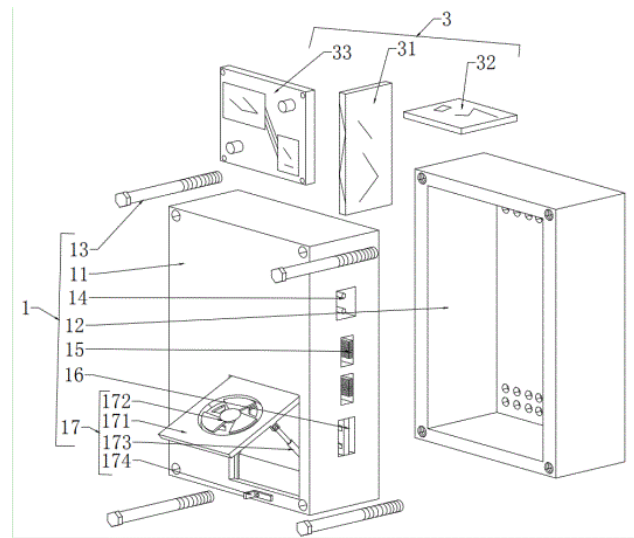


21: 2021/07632. 22: 2021/10/11. 43: 2021/12/01
51: H05K; G06Q
71: Central South University of Forestry and Technology
72: YANG, Mei

54: INFORMATION INTERACTION SYSTEM FOR HOTEL TOURISM MANAGEMENT

00: -

Disclosed is an information interaction system for hotel tourism management, including: a body structure, a hanging structure detachably configured on the body structure, and an integrated structure fixedly disposed in the body structure. The disclosure relates to the field of tourism information technology, the body structure can be installed by hanging with the hanging structure, and is small in size, convenient to carry around, to install, and to use, and easy to regulate so as to facilitate heat dissipation of the integrated structure therein; the overall device can enable an installation inside a hotel to communicate various information in the hotel with many tourism agencies, as such, tourists can get familiar with the surroundings of the hotel and what it is like in the hotel, such as room availability and floor layouts, online or upon arrival, and they may not get lost or feel difficult to find their way.

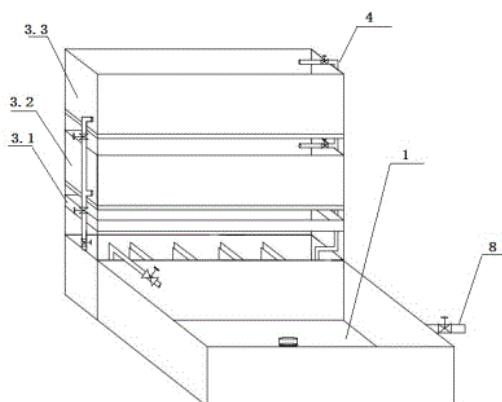


21: 2021/07633. 22: 2021/10/11. 43: 2021/12/01
51: A01G; A01K; C02F
71: Qingdao Agricultural University, Shandong Tangwang Carp Agricultural Development Co., Ltd.
72: WANG, Feng, JIANG, Shibo, ZHENG, Bo, LIU, Bo
33: CN 31: 202110542499.9 32: 2021-05-18

54: KOI AND VEGETABLE SYMBIOSIS CIRCULATING AQUACULTURE SYSTEM AND METHOD

00: -

The present disclosure provides a koi and vegetable symbiosis circulating aquaculture system and method. The method includes five steps: water conserving, vegetable growing, fish putting in, management and harvesting. The system includes a culture pond, a water quality treatment system and a vegetable hydroponic system, where the culture pond communicates with the water quality treatment system through a pipe; the water quality treatment system includes a purification tank and a pump tank; the pump tank pumps treated water back to the culture tank; and the vegetable hydroponic system is divided into 3 layers, a floating culture layer, a shallow flow hydroponic layer and a deep flow hydroponic layer.



21: 2021/07634. 22: 2021/10/11. 43: 2021/12/01
51: C02F

71: West Anhui University

72: Jia Rusheng, Wang Wanfen, Yang Jie, Tu Youxiao

33: CN 31: 202111097878.8 32: 2021-09-18

54: PREPARATION METHOD OF FLOCCULANT FOR TREATING COAGULATION OF PI RIVER WATER

00: -

The invention discloses a preparation method of a flocculant for treating the coagulation of Pi River water, and relates to the technical field of flocculant preparation. The preparation method comprises the following steps: aPAC is added to ultrapure water and stirred and dissolved to get PAC solution;

PDMDAA is added to ultrapure water and completely dissolved to get PDMDAA solution; constant temperature magnetic stirrer is maintained at high speed, PDMDAAC solution is transferred into PAC solution to get mixed solution, mixed solution is stirred at high speed and then left to prepare into PAC-PDMDAAC compound coagulant. The highest removal rate of the flocculant prepared by the invention for the turbidity of Pi River water can reach 90.06%, and the highest removal rate of UV254 can reach 58.64%.

21: 2021/07635. 22: 2021/10/11. 43: 2021/12/01

51: E04G; G08B

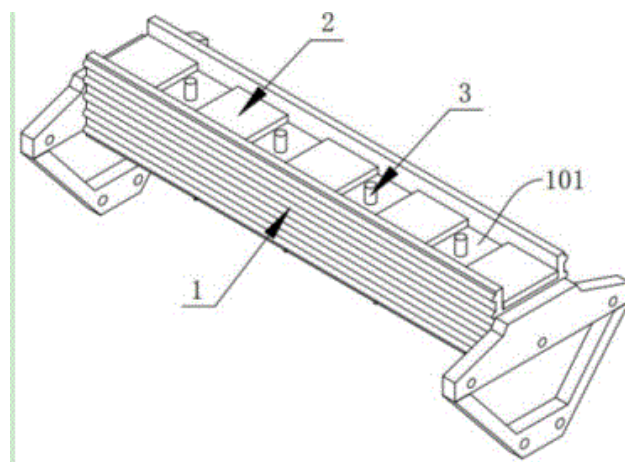
71: Nan Tong Xin Hua Construction Group Co., Ltd.

72: LU, Zongbing, LU, Jian, ZHANG, Naihua, QU, Zuming

54: FRAME BEAM REINFORCEMENT DEVICE FOR ARCHITECTURAL ENGINEERING AND USING METHOD THEREOF

00: -

The present invention discloses a frame beam reinforcement device for architectural engineering. A relatively good reinforcement effect is achieved. In addition, whether a frame beam settles may be monitored in real time, and when the frame beam settles, an alarm sound may be produced immediately to prompt a worker to deal with the settlement of the frame beam to avoid unthinkable consequences, so that the safety is relatively high. The device is particularly applicable to the supporting reinforcement in case of local settlement of the bottom of a frame beam and relatively high in practicability.



21: 2021/07636. 22: 2021/10/11. 43: 2021/12/01

51: A61K; A61P

71: LINYI UNIVERSITY

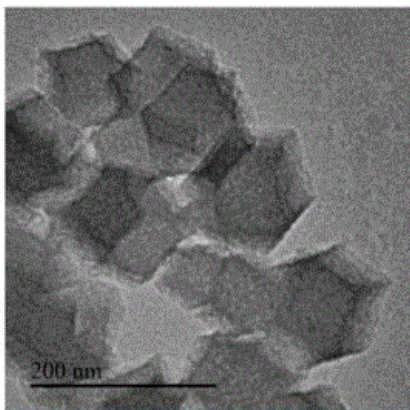
72: HU, Zunfu, SUN, Yunqiang, DAI, Zhichao, WANG, Shan, ZHANG, Huimin, TANG, Weina, ZHENG, Xiuwen

33: CN 31: 202011608358.4 32: 2020-12-30

54: PREPARATION METHOD AND USE OF MULTIFUNCTIONAL DIAGNOSTIC AND THERAPEUTIC AGENT BASED ON CU SINGLE ATOM/AU CLUSTER

00: -

The present disclosure belongs to the technical field of medical nanomaterials, and specifically relates to a preparation method and use of a multifunctional diagnostic and therapeutic agent based on a Cu single atom/Au cluster. The method includes the following steps: transferring a Cu single atom precursor to a tube furnace in an Ar atmosphere and gradually heating for high-temperature calcination to obtain a Cu single atom catalyst; fully dispersing the Cu single atom catalyst in ethylene glycol, adding chloroauric acid and refluxing at high temperature to obtain a Cu single atom/Au cluster nanocomposite; and conducting ultrasonic dispersion on the Cu single atom/Au cluster nanocomposite in a N,N-dimethylformamide (DMF) solution, adding 1,2-distearoyl-sn-glycero-3-phosphoethanolamine-N-[folate(polyethylene glycol)] (DSPE-PEG-FA), and stirring to obtain the multifunctional diagnostic and therapeutic agent based on a Cu single atom/Au cluster.



21: 2021/07649. 22: 2021/10/11. 43: 2021/12/01

51: B09B; B29B; B32B

71: VIELFREUND, Amit, VIELFREUND, Tal David, VIELFREUND, Sissel Alexander Symon

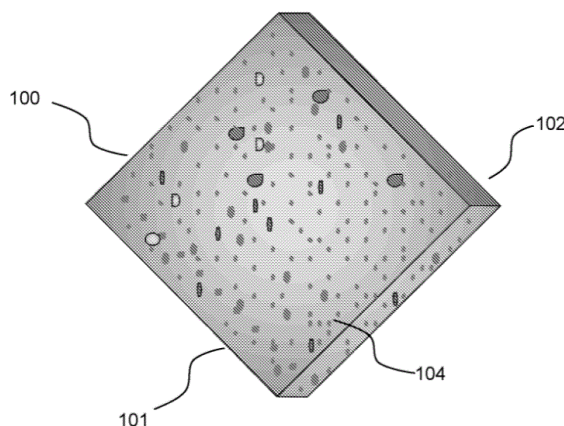
72: VIELFREUND, Sissel Alexander Symon

33: US 31: 62/839,801 32: 2019-04-29

54: COMPOSITE BOARD FROM PLASTIC WASTE

00: -

Plastic waste is shredded and formed to a desired shape and held together using a binder and/or heat, etc. The resulting composite material may be useful for building and/or furniture and/or flooring, etc. (similar to wood composite board). In some embodiments, the board is highly water resistant. Optionally, the board is made of layers. For example, an inner layer has reduced density and/or an outer layer may have decreased particle size and/or increased fiber content.



21: 2021/07673. 22: 2021/10/12. 43: 2021/12/01

51: H01M; B82Y

71: Qingdao University of Science and Technology

72: LI, Zhenjiang, DING, Shiqi, SUN, Changlong, DAI, Xin, MENG, Alan

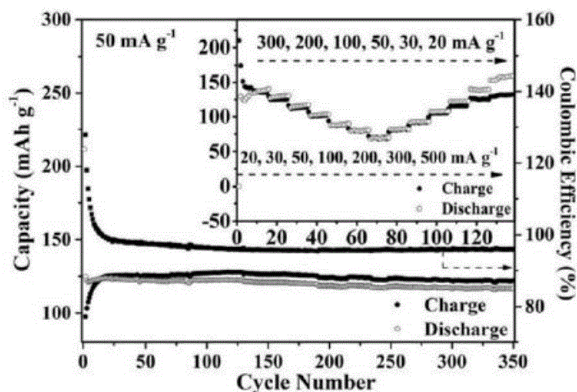
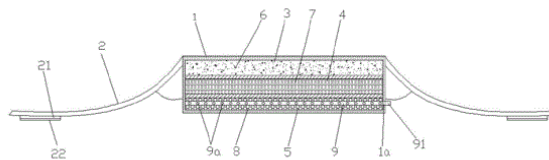
33: CN 31: 202011123676.1 32: 2020-10-20

54: MO-DOPED VS4 CATHODE MATERIAL FOR MAGNESIUM ION BATTERY AND USE THEREOF

00: -

The present disclosure discloses a Mo-doped VS₄ cathode material for a magnesium ion battery and use thereof, and belongs to the technical field of battery materials. Ammonium metavanadate and ammonium molybdate are mixed as a proper proportion, and it is mixed with a solution of excessive thioacetamide, then the mixture solution is transferred into a reaction kettle for a hydrothermal reaction at 200°C for 4 h; the product is washed for 3 times with deionized water and absolute ethanol respectively, and collected through centrifugation; and the obtained product was subjected to vacuum drying to obtain a Mo-doped VS₄ electrode material. Then the button battery is assembled with Mo-doped

VS4 cathode material and metal magnesium anode. The cathode material prepared by the present disclosure has a morphology of hollow flower-like microsphere, the enlarged VS4 layer spacing, and rich S vacancies.

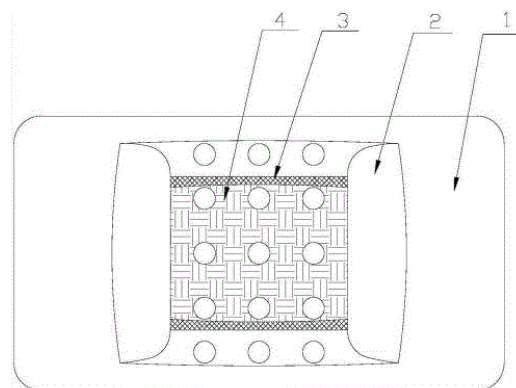


21: 2021/07674. 22: 2021/10/12. 43: 2021/12/01
 51: A61F; A61M
 71: Chongqing Medical and Pharmaceutical College
 72: XIAO, Xiang, CHENG, Yuanhui, WU, Xia, PENG, Jing, WANG, Xin
54: HEATING DRUG-PERMEABLE EYELID HOT COMPRESS BAG

00: -
 The present invention discloses a heating drug-permeable eyelid hot compress bag, comprising a bag body and connecting belts used for connecting the bag body to the face of a human body. A self-heating cavity, a heat storage cavity and a liquid absorbing cavity are sequentially formed in the bag body from outside to inside; a heating body used for heating is arranged in the self-heating cavity; a heat storage body used for storing heat is arranged in the heat storage cavity; and a liquid absorbing body used for absorbing eye medicine liquid is arranged in the liquid absorbing cavity. When the compress bag is used, the bag body is taken out of a vacuum package, the eye medicine liquid is added into the liquid absorbing body according to needs, and the bag body is connected to two sides of the upper eyelid or the lower eyelid through the connecting belts.

21: 2021/07675. 22: 2021/10/12. 43: 2021/12/01
 51: A61F; A61H; A61M
 71: Chongqing Medical and Pharmaceutical College
 72: XIAO, Xiang, WANG, Xin, CHENG, Yuanhui, WU, Xia, PENG, Jing
54: PORTABLE CERVICAL VERTEBRA AND SHOULDER CIRCUMFERENCE MASSAGE DEVICE

00: -
 The portable cervical vertebra and shoulder circumference massage device provided by the utility model comprises a pressurizing air bag adapted to a position to be massaged. A self-heating patch is arranged on the inner side outer surface of pressurizing air bag, and a medicinal patch is affixed to the self-heating patch. According to the utility model, the functions of hot compress, medical therapy, and massage are integrated. On one hand, the absorption of the effective components in the medicinal patch can be promoted through the dual effects of pressurizing air bag kneading massage and self-heating patch heating, and on the other hand, the absorption of the effective components in the medicinal patch helps to match with a massage device to achieve better effects of relieving cervical vertebra and shoulder circumference muscle fatigue, relaxing muscles, and promoting blood circulation.



21: 2021/07676. 22: 2021/10/12. 43: 2021/12/01
 51: B09C; C02F
 71: Northwest A and F University

72: ZHANG, Zengqiang, LI, Ronghua, SHEN, Feng, WANG, Ping, ZHANG, Han

54: METHOD FOR REMEDIATION OF HEAVY METAL CONTAMINATED SOIL OR WATER USING HYPERACCUMULATOR POTHERB MUSTARD

00: -

The present disclosure relates to the technical field of phytoremediation in remediation of contaminated environments, and in particular, to a method for remediation of heavy metal contaminated soil or water using hyperaccumulator potherb mustard. The technical solution adopted in the present disclosure includes the following steps: growing potherb mustard in contaminated soil or water containing chromium, copper, nickel, lead and zinc; at the maturing stage of the potherb mustard, harvesting and removing shoots or entire plants of the potherb mustard from the contaminated soil or water; and repeating the processes of growing, harvesting and removing the potherb mustard in the contaminated soil or water containing chromium, copper, nickel, lead and zinc, until the contents of chromium, copper, nickel, lead and zinc in the soil or water meet environmental quality standards.

21: 2021/07677. 22: 2021/10/12. 43: 2021/12/01
51: B08B

71: Shandong University

72: Zhu Bo, Lyu Jianguo, Zhao Shengyao, Liu Yayun, Kang Wanping, Ji Jintao, Wang Hongli

54: EFFICIENT CLEANING METHOD AND DEVICE FOR SPINNERET PLATE OF DRY SPRAY WET SPINNING CARBON FIBER PRECURSOR

00: -

The invention relates to an efficient cleaning method and device for a spinneret plate of dry spray wet spinning carbon fiber precursor, which specifically comprises the following steps: 1) the spinneret plate and its components are connected with a branch bypass of a circulating cleaning device through quick connection, and are vertically fixed to the upper cover of a solvent tank; 2) start the circulating pump and filter; 3) when the slurry in the spinneret is sprayed out with the solvent, stop the circulating pump, switch the spinneret and its components from the bypass to the solvent circulation tank, and vertically install them on the positioning tank through quick connection; 4) restart the circulating pump and filter; 5) after the cleaning in step 4), soak the

spinneret in water and carry out ultrasonic cleaning on the spinneret; and obtaining the cleaned spinneret. The cleaning effect of spinneret is provided, so that the spinneret surface is smooth without damage and corrosion, and then ultrasonic cleaning in deionized water is carried out to enhance the removal effect and completely remove the slurry remaining in the spinneret hole in the spinneret.

21: 2021/07678. 22: 2021/10/12. 43: 2021/12/01
51: C07C

71: ZHUANG, Yingjun

72: ZHUANG, Yingjun

54: METHOD FOR PREPARING LITHIUM TRI-TERT-BUTOXYALYMINIUM HYDRIDE-TETRAHYDROFURAN SOLUTION

00: -

The present disclosure discloses a method for preparing lithium tri-tert-butoxyaluminum hydride-tetrahydrofuran solution, comprising the following steps: (1) adding lithium tri-tert-butoxyaluminum hydride to ether, stirring evenly, and introducing nitrogen for later use; (2) adding tert-butanol to ether, stirring evenly for later use; (3) adding the solution obtained in the step (2) dropwise to the solution in the step (1) at 25-28 degrees Celsius to react under reflux and nitrogen protection conditions, and stirring 1-2 hours when the solution becomes a white emulsion; (4) placing the product obtained in the step (3) for 10-24 hours, pouring out the supernatant, evaporating the material to dryness by controlling the temperature at 50-70 degrees Celsius, introducing nitrogen and discharging, to obtain lithium tri-tert-butoxyaluminum hydride; (5) dissolving the lithium tri-tert-butoxyaluminum hydride prepared in the step (4) in tetrahydrofuran to obtain a lithium tri-tert-butoxyaluminum hydride-tetrahydrofuran solution.

21: 2021/07679. 22: 2021/10/12. 43: 2021/12/01
51: E01F

71: Southwest University of Science and Technology

72: Mingying Zeng, Qingsong Xian

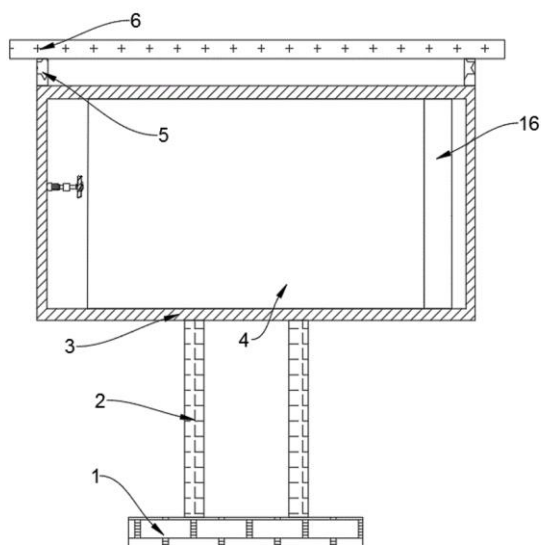
33: CN 31: 202110260721.6 32: 2021-03-10

54: AN INTELLIGENT LANDSCAPE ARCHITECTURE DESIGN SIGN

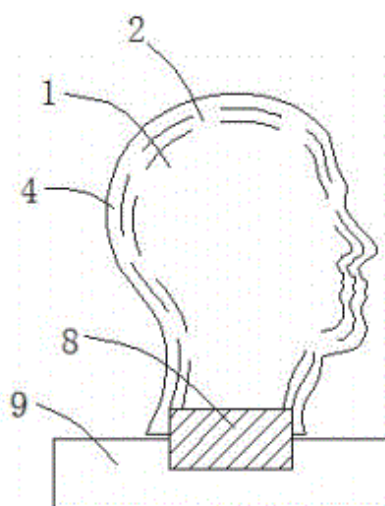
00: -

The invention discloses an intelligent landscape architecture design sign, comprising a base, and the

upper surface of the base is fixedly connected with two support frames, the outer walls at the top of the support frames are fixedly connected with a housing, and the outer wall at the top of the housing is fixedly connected with two mounting plates, the outer walls at the top of the mounting plates are fixedly connected with a top plate, and the side wall of the housing is fixedly connected with transparent glass. The invention, by starting a second motor to rotate, drives a rotation rod to rotate, and makes a belt and a fixing rod rotate by rotating the rotation rod, driving two blades to rotate in the meantime, and when the display screen displays, the rear processor works and generates much heat, and the wind is blown by blade rotation, realizing the heat dissipation and cooling of the processor, and solving the problem that when the current intelligent signs display, with the increase of usage time, much heat is generated inside, probably leading to the damage of interior electronic components due to excessive heat.



and examination appliance comprises an inner core (1) manufactured from a magnet block, the inner core (1) is integrally of a structure attached to the outer contour of head and neck of the human, the outer surface of the inner core (1) is coated with a layer of protective sleeve (2), the outer surface of the protective sleeve (2) is provided with a layer of grid layer (4), and the grid layer (4) is provided with a plurality of grid frames (5) corresponding to various acupoint areas; and a puzzle part (6) which can be matched with the grid frame (5) in a gap inserting mode is arranged in each grid frame (5).



21: 2021/07680. 22: 2021/10/12. 43: 2021/12/01
51: G09B
71: HUANG, Heyin
72: HUANG, Heyin, ZHANG, Lanzhi, ZHANG, Qinxu, Li, Xinrong, HE, Hengsheng, WU, Xiaojuan, LAN, Jianbin, ZHOU, Hao

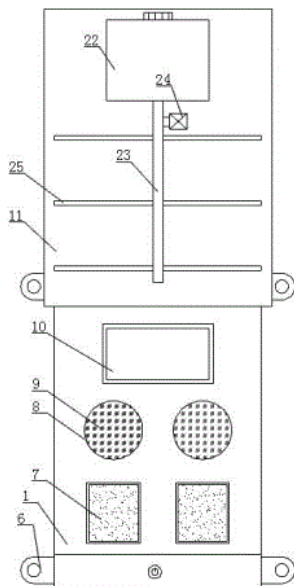
54: HEAD-NECK ACUPOINT 3D COLOR PUZZLE TEACHING AND EXAMINATION APPLIANCE

00: -
The present disclosure a head-neck acupoint 3D color puzzle teaching and examination appliance. The head-neck acupoint 3D color puzzle teaching

21: 2021/07681. 22: 2021/10/12. 43: 2021/12/01
51: A61L; B08B; G07C
71: LINYI UNIVERSITY
72: LI, Kaicai
33: CN 31: 202110242291.5 32: 2021-03-04
54: SIGNING-IN DEVICE FOR COLLEGE STUDENT MANAGEMENT AND USE METHOD THEREOF

00: -
The invention discloses a signing-in device for college student management and a use method thereof, comprising a device body, wherein a fingerprint recognizer is mounted in the device body, a microprocessor is mounted below the fingerprint recognizer, a Bluetooth connector and a timer are mounted below the microprocessor, a dustproof cover is connected to the device body in a sliding mode, and a disinfectant box is fixedly arranged on a front side of the dustproof cover. According to the invention, signing-in management is carried out

through fingerprint identification, so that convenience and rapidness are realized, disorder cannot be caused, timing control can be carried out through operating the device, and the use is convenient, rapid and convenient to control.



21: 2021/07682. 22: 2021/10/12. 43: 2021/12/01
 51: B29C; B32B
 71: Shandong University
 72: Zhu Bo, Cao Weiwei, Wang Yongwei, Qiao Kun, Zhang Min

54: COMPOSITE BOARD FORMED BY PULTRUSION

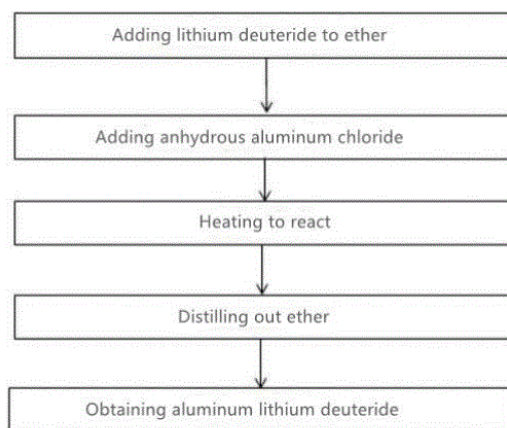
00: -
 The invention relates to a pultrusion composite board, belonging to the technical field of carbon fiber board preparation. The composite board of the present invention consists of three layers, including a pultrusion rigid layer at the core, a tough split-resistant layer of hybrid fiber fabric in the middle and a high-strength impact-resistant layer of hybrid fiber fabric on the surface. The three-layer structure is laminated and integrally formed by pultrusion process. Because the rigid core layer in the middle has the ability to resist deformation, and the split-resistant layer in the middle and the impact-resistant layer on the surface have both high toughness and impact resistance, the composite board can be widely used in the fields of wall reinforcement for various buildings, secondary processing of thermoplastic profiles, transportation, protection, etc.



21: 2021/07683. 22: 2021/10/12. 43: 2021/12/01
 51: C01B; G01N
 71: ZHUANG, Yingjun
 72: ZHUANG, Yingjun

54: PREPARATION OF ALUMINUM LITHIUM DEUTERIDE AND DETERMINATION METHOD

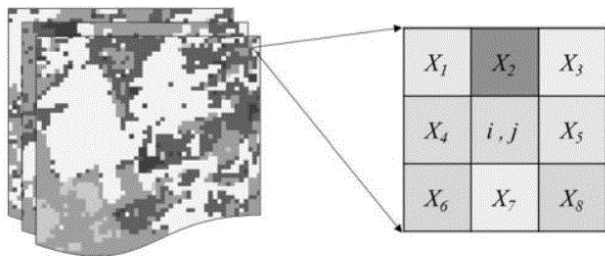
00: -
 The present disclosure discloses a method for preparing aluminum lithium deuteride and a method for determining the content of aluminum lithium deuteride product, comprising the following steps: (1) adding lithium deuteride to ether under a reflux condition, stirring evenly and then adding anhydrous aluminum chloride to continue stirring; (2) heating to 25-35°C and reacting at an atmospheric pressure for 5.5-7 hours; (3) distilling out ether, to obtain aluminum lithium deuteride. The aluminum lithium deuteride product prepared by the method has a high content, the reaction condition is mild and the safety is higher.



21: 2021/07728. 22: 2021/10/13. 43: 2021/12/01
 51: G06K; G06T
 71: Xi'an Jiaotong University
 72: Wu Yiping, Wang Fan, Zhao Wenzhi, Li Huiwen, Sun Yuzhu

54: UNIVERSAL METHOD FOR ASSESSING CHANGES OF REGIONAL HABITAT LANDSCAPE

00: -
 A universal method for assessing changes in regional habitat landscapes, including the following steps: acquiring remote sensing satellite imagery spatio-temporal data; preprocess the image spatio-temporal data to obtain the spatial pattern of land use in the study area; according to the spatial pattern of land use, evaluate the change of habitat landscape. The present invention calculates the connectivity of the landscape by traversing each grid unit, which can intuitively and visually express the connection characteristics of the regional ecosystem, reflect the migration in and out of the habitat, reflect the destruction and reconstruction of the ecological environment, and achieve the effect of bidirectional assessment of habitat landscape changes from the perspective of landscape structure and landscape function.



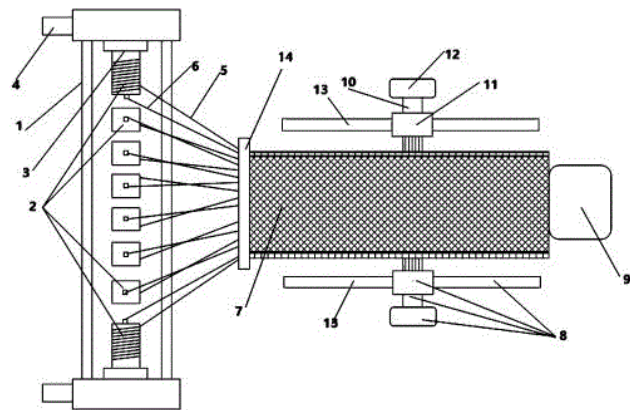
Land use grid data

21: 2021/07729. 22: 2021/10/13. 43: 2021/12/01
 51: D04B; D05B
 71: Shandong University
 72: Zhu Bo, Cao Weiwei, Wang Yongwei, Qiao Kun, Zhang Min

54: THREE-DIMENSIONAL STRUCTURE STITCHBONDING FORMING DEVICE AND STITCHBONDING FORMING METHOD

00: -
 The invention discloses a three-dimensional structure stitchbonding forming device and a stitchbonding forming method. The stitchbonding forming device has dual knitting functions of two-dimensional weaving and three-dimensional stitchbonding, and the device comprises an annular frame, radial spindles, a guide disc, a driving device, knitting yarns, axial yarns, a molding die core, a circumferential stitchbonding device and a mechanical arm. The circumferential stitchbonding

device comprises an annular frame, a circumferential sewing machine, a driving device and a guide rail. The mixed stitchbonding device can complete the lamination of knitting layers at the same time of two-dimensional weaving through the axial reciprocating motion of the mechanical arm, and form synchronous action with two-dimensional weaving through the circumferential stitching device between adjacent laminated structures to complete radial stitching of interlaminar yarns, thereby forming a three-dimensional stitchbonding structure fabric. The thickness of the fabric formed by the device can be adjusted arbitrarily, and the size specification of the formed three-dimensional fabric can be adjusted arbitrarily according to requirements.

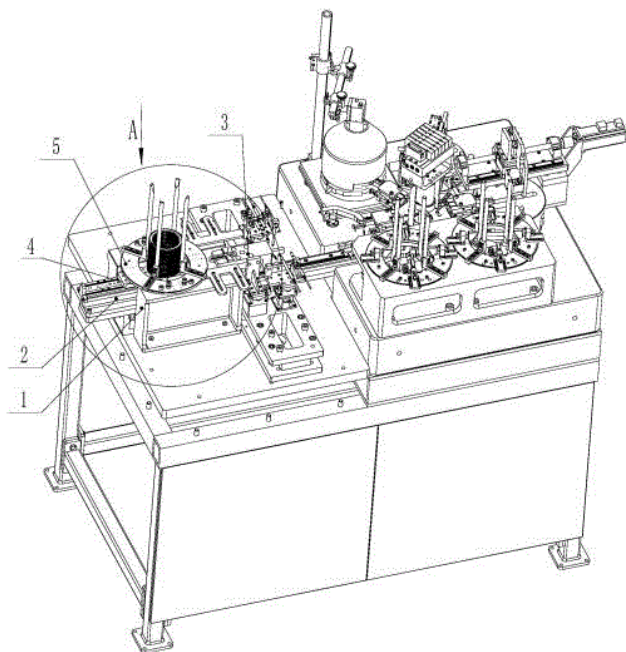


21: 2021/07730. 22: 2021/10/13. 43: 2021/12/01
 51: B65G; G01D
 71: Qingdao University of Science and Technology
 72: Liu Jiangsheng, Qian Juan

54: PISTON INSERT RING MEASURING AND FEEDING DEVICE

00: -
 The invention relates to the field of piston measurement and, specifically, to a piston insert ring measuring and feeding device, which consists of a fixed bracket, an insert ring temporary storage device installed at the upper end of the fixed bracket, a slide rail below the insert ring temporary storage device, an active feeding device and a feeding follower device which are matched with the slide rail; the insert ring temporary storage device consists of an insert ring fixing ring and guide columns installed on the insert ring fixing ring, and the feeding follower device consists of a follower plate and a reset spring connected at one end of the follower plate. The piston insert ring measuring and feeding device is

highly automated and can quantitatively transport piston insert rings, which improves the work efficiency and solves the problems in the prior art that the feeding process in piston measurement mainly relies on manual feeding, which is low in automation, resulting in high labor cost, low work efficiency, inaccurate feeding interval, etc.



21: 2021/07731. 22: 2021/10/13. 43: 2021/12/01
51: C22B; C22C

71: Jiangxi University of Science and Technology
72: Li Liangxing, Huang Qianlin, Zhu Zhicheng,
Yang Jingwei, Dong Xueshu

54: METHOD FOR PREPARING ALUMINUM-SCANDIUM MASTER ALLOY BY USING CHLORIDE-OXIDE SYSTEM MOLTEN SALT ELECTROLYSIS

00: -

A method for preparing aluminum-scandium master alloy by using chloride-oxide system molten salt electrolysis, using scandium oxide as a raw material, adding CaO or MgO to a chloride molten salt electrolyte composed of NaCl-CaCl₂ or KCl-CaCl₂, and add the electrolysis raw material Sc₂O₃ to form a chloride-oxide mixed molten salt electrolyte, with liquid aluminum as the cathode and graphite as the anode. Under the condition of temperature 943-1053K, direct current electrolysis is conducted, anode current density is 0.5-1.5A/cm², electrolysis time is 4-10h, and liquid aluminum-scandium master alloy is obtained at the cathode at the bottom of the

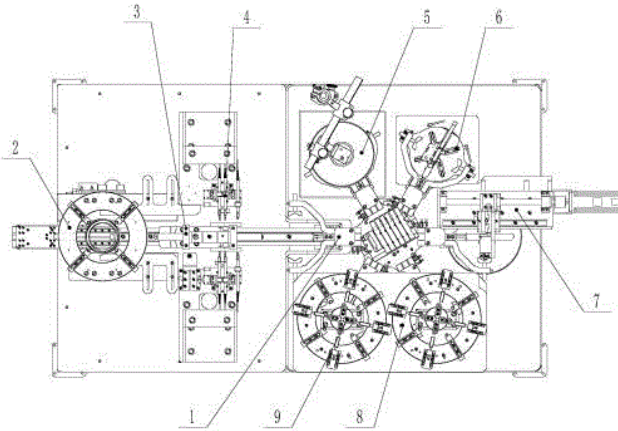
electrolytic cell. The invention has the advantages of simple process, low production cost, high product purity, easy continuous production, and no need for reducing agents; at the same time, during the electrolysis process, the cathode at the bottom of the electrolytic cell obtains a liquid aluminum-scandium master alloy, and the anode emits CO₂, no other harmful gases are generated, which effectively reduces the serious pollution to the environment.

21: 2021/07732. 22: 2021/10/13. 43: 2021/12/01
51: G01B

71: Qingdao University of Science and Technology
72: Liu Jiangsheng, Qian Juan

54: PISTON INSERT RING MEASURING SYSTEM
00: -

The invention relates to the field of piston insert ring measurement, in particular to a piston insert ring measuring system, which comprises a feeding device, a thickness measuring device, an outer diameter measuring device, a rotary conveying device, an inner diameter measuring device, a defective product storage device and a qualified product storage device. The inner diameter measuring device, the defective product storage device and the qualified product storage device are circumferentially arranged outside the rotary conveying device. Automatic feeding of the piston insert ring is realized through the cooperation of the insert ring temporary storage device, the active feeding device and the feeding follower device in the feeding device, so that the automation degree of the feeding process is high and the piston insert ring can be quantitatively conveyed, and the feeding efficiency is improved. Through optical measuring equipment and linear laser measuring device, the piston insert ring is measured many times, and the accuracy of piston insert ring measurement is improved. It solves the problems of few functions, low intelligence, complex operation and low system measurement speed of the piston insert ring measuring equipment in the prior art.



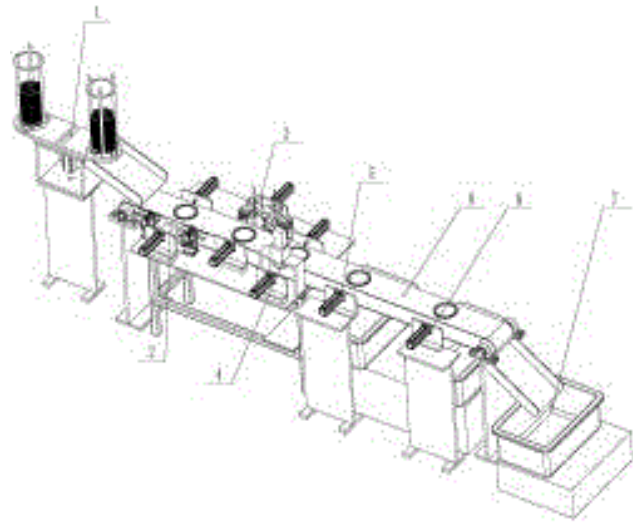
21: 2021/07733. 22: 2021/10/13. 43: 2021/12/01
51: G01B

71: Qingdao University of Science and Technology
72: Liu Jiangsheng, Qian Juan

54: PISTON INSERT RING MEASURING LINE

00: -

The invention relates to the field of piston insert ring measurement, in particular to a piston insert ring measuring line, which consists of a feeding device, a conveying device connected with the feeding device, an outer diameter measuring device, a thickness measuring device and an inner diameter measuring device positioned beside the conveying device. The end of the conveying device is also provided with a collecting device. Different measurement stations can realize synchronous measurement of several piston insert rings simultaneously, which improves the measurement efficiency. The feeding device has two blanking components, and one blanking component can, after the completion of blanking of the piston insert ring on it, quickly replace the other blanking component, thus feeding without interruption and improving feeding efficiency. The outer diameter measuring device, thickness measuring device and inner diameter measuring device are simple in structure and high in measurement accuracy, and realize omni-directional measurement of piston insert rings, which makes the measurement of piston insert rings highly intelligent, high in accuracy and not dependent on manual labor, and improving the overall measurement efficiency.



21: 2021/07734. 22: 2021/10/13. 43: 2021/12/01
51: A61N

71: North China University of Science and Technology

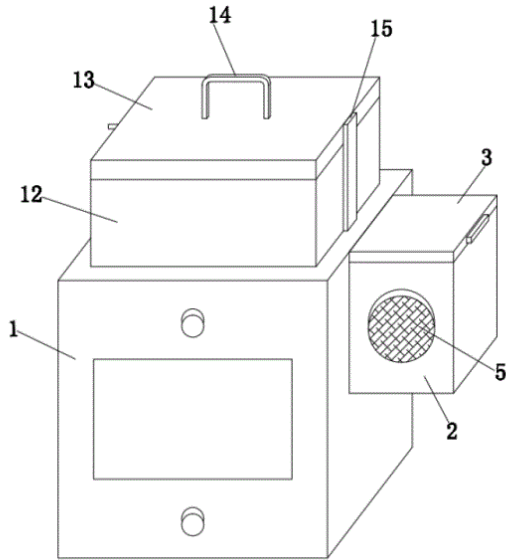
72: BO, Haimei, CHENG, Guang, ZHAO, Jihua, WANG, Ling, XING, Fengmei

33: CN 31: 202110923598.1 32: 2021-08-12

54: AED SYSTEM WITH REMOTE CALL RESCUE GUIDANCE FUNCTION

00: -

The invention provides an AED system with a remote call rescue guidance function, providing a solution for solving existing problems that, for a person who has never used the AED, the user cannot master it easily, and electrode sheets on the AED are not stored conveniently, so that we cannot carry the AED conveniently. The invention includes a defibrillator body, a call rescue structure, an electrode sheet storage structure and a limiting structure; the defibrillator body is fixedly connected with a side box contacting with a cover plate provided with an edge hole into which a clamping plate is slidably mounted; the defibrillator body is provided with a clamping groove, and the clamping plate is clamped with the clamping groove; and the defibrillator body is fixedly connected with a storage box. The user can be guided by the call rescue device, and the electrode sheet can be conveniently stored.

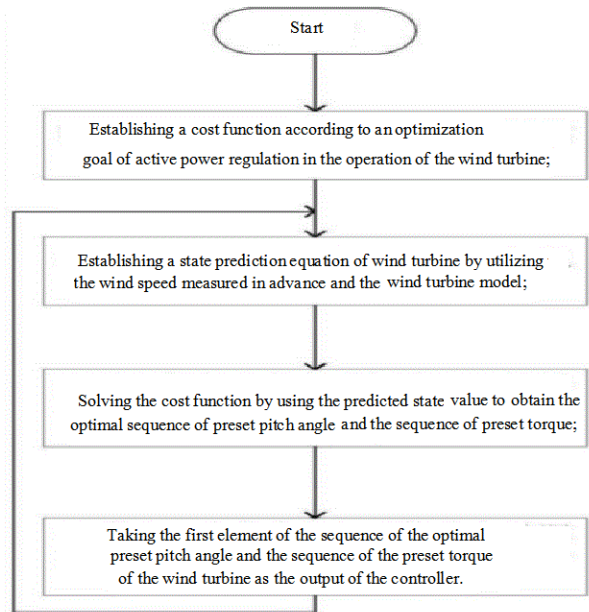


21: 2021/07735. 22: 2021/10/13. 43: 2021/12/01
 51: F03D
 71: Central South University
 72: Song Dongran, Yang Jian, Dong Mi, Sun Yao, Su Mei

54: ACTIVE POWER REGULATION METHOD AND DEVICE FOR WIND TURBINES BASED ON WIND SPEED MEASUREMENT IN ADVANCE

00: -
 The invention discloses an active power regulation method for wind turbines based on wind speed measurement in advance, which comprises the following steps: step 1, establishing a cost function according to an optimization goal of active power regulation in the operation of the wind turbine; step 2, establishing a state prediction equation of wind turbine by utilizing the wind speed measured in advance and the wind turbine model; step 3, solving the cost function by using the predicted state value to obtain the optimal sequence of preset pitch angle and the sequence of preset torque; step 4, taking the first element of the sequence of the optimal preset pitch angle and the sequence of the preset torque of the wind turbine as the output of the controller. According to the invention, under the high-speed wind condition, the active power output is equal to the target power, and at the same time, the action of the pitch actuator can be reduced and the fatigue load of the pitch system can be lightened; tracking operation at maximum power is realized under low-speed wind conditions. At each prediction step, only one of the pitch angle sequence or torque sequence is used as the candidate finite control set, which

greatly reduces the controller computation and enhances the engineering applicability.

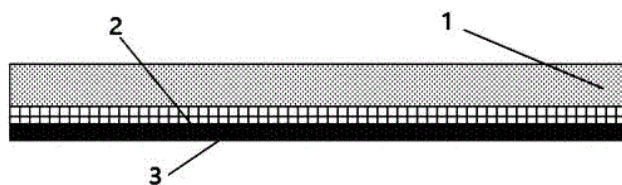


21: 2021/07736. 22: 2021/10/13. 43: 2021/12/01
 51: B32B
 71: Shandong University
 72: Zhu Bo, Qin Rongman, Sun Na, Wang Dongzhe, Du Mingyuan, Teng Linghong, Cao Weiwei, Qiao Kun

54: THERMOPLASTIC COMPOSITE FILM

00: -
 The invention belongs to the field of thermoplastic resin matrix films, and particularly relates to a thermoplastic composite film. The composite membrane matrix consists of three parts from outside to inside: a surface mechanical strength layer, a middle grid support layer and a core hot melt infiltration layer. Wherein, the surface mechanical strength layer is formed by a thermoplastic resin matrix with a high melting point; The middle grid support layer adopts a hot melt fiber grid cloth structure, which provides mechanical support for the whole melt infiltration process before hot melt infiltration of the membrane-like composite matrix and the fiber fabric, and ensures the integrity of the infiltration passage in the infiltration process of the composite membrane. The hot melt infiltration layer of the core is made of thermoplastic resin with low melting point and low viscosity, which can penetrate between the monofilaments of the fiber fabric with high fluidity during the whole melt infiltration process

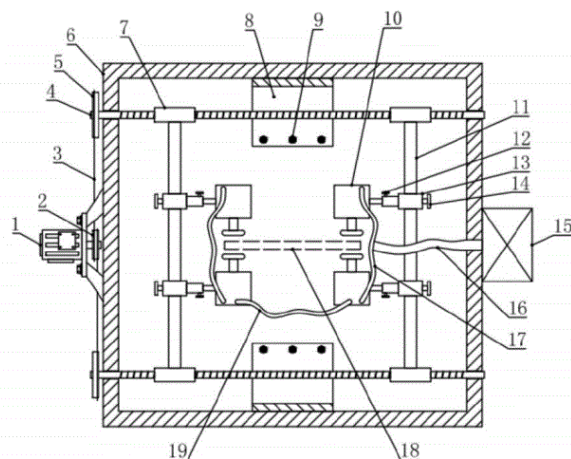
of the composite membrane and the fiber reinforced fabric, thus ensuring the interfacial bonding effect between the thermoplastic matrix and the fiber fabric.



21: 2021/07737. 22: 2021/10/13. 43: 2021/12/01
 51: F26B; G02B
 71: West Anhui University
 72: LIU, Xiangyuan, FANG, Jie, KONG, Min, ZHAO, Minfu, ZHANG, Bo, CHENG, Bao'an
 33: CN 31: 202011340021.X 32: 2020-11-25

54: APPARATUS FOR PROCESSING PHOTOELECTRIC DISPLAY THIN FILM DEVICE

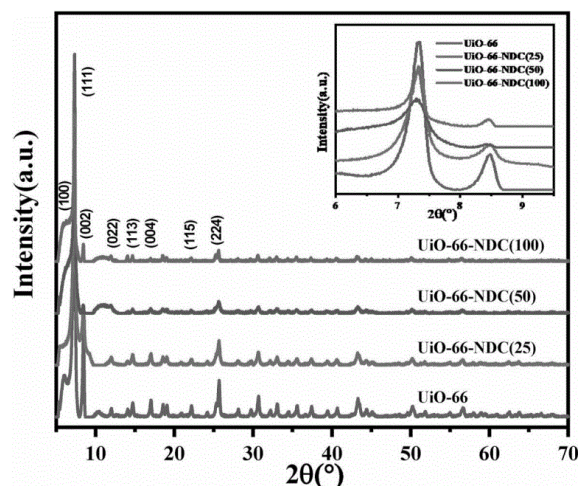
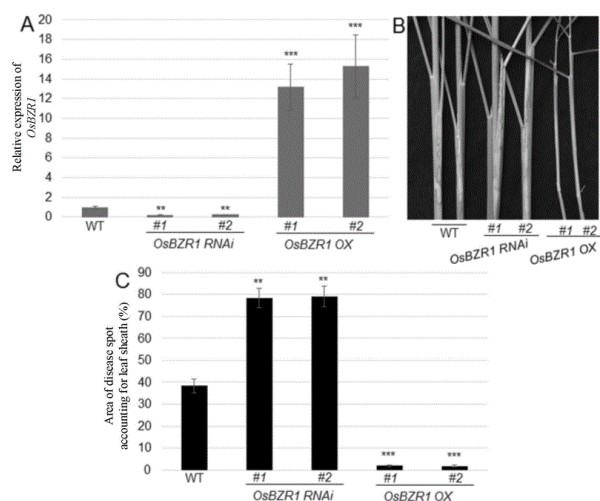
00: -
 The present invention relates to an apparatus for processing a photoelectric display thin film device. The apparatus comprises a processor body. A threaded rod is installed at each of an upper portion and a lower portion inside the processor body, a driving mechanism for driving the two threaded rods to rotate synchronously and equidirectionally is installed outside the processor body, and a set of transverse support components are respectively installed across left and right sides of the two threaded rods and move at a same speed equidirectionally when the threaded rods rotate; two slide bushings are adjustably and movably installed on the transverse support components, pneumatic clamping components are fixedly installed on the slide bushings, and a pressure air pump is also installed outside the processor body; and a set of hot lamp components are respectively installed at an inner top and an inner bottom of the processor body.



21: 2021/07738. 22: 2021/10/13. 43: 2021/12/01
 51: A01H; C07K; C12N
 71: Shenyang Agricultural University
 72: XUAN, Yuanhu, WU, Xianxin, LI, Tianya, SUN, Qian, MEI, Qiong, QIU, Yongchun, GAO, Yue
 33: CN 31: 202110207784.5 32: 2021-02-24

54: USE OF OSBZR1 GENE AND ENCODED PROTEIN IN REGULATING RESISTANCE TO RICE SHEATH BLIGHT

00: -
 The present disclosure provides use of an OsBZR1 gene and an encoded protein in regulating resistance to rice sheath blight, and relates to the technical field of molecular biology. In the present disclosure, OsBZR1 in rice is silenced through an RNAi technology to obtain ultra-low OsBZR1-expressed rice, while an OsBZR1-overexpressed plant OsBZR1 OX is constructed. Compared with wild type rice, OsBZR1 RNAi rice plants are more susceptible to the disease, and the OsBZR1 OX is more resistant to the diseases, indicating that the OsBZR1 gene participates in regulating the resistance to rice sheath blight.



21: 2021/07739. 22: 2021/10/13. 43: 2021/12/01
 51: B01D; B01J
 71: Shandong University
 72: SUN, Jing, LI, Wenxiang, WANG, Wenlong, MA, Xiaoling, SONG, Zhanlong, MAO, Yanpeng, ZHAO, Xiqiang
 33: CN 31: 202110402063.X 32: 2021-04-14
54: HYDROPHOBIC DUAL-LIGAND METAL-ORGANIC FRAMEWORK (MOF) AND PREPARATION METHOD AND USE THEREOF IN ADSORPTION OF VOLATILE ORGANIC COMPOUND (VOC)

00: -

The present disclosure provides a hydrophobic dual-ligand metal-organic framework (MOF) and a preparation method and use thereof in adsorption of volatile organic compounds (VOCs). Part of benzene rings in a MOF are replaced with naphthalene rings, and each naphthalene ring is linked with metal nodes at two of 1 to 4 positions of the naphthalene ring. The MOF provided in the present disclosure can maintain the stability in a humid environment and exhibit the performance of efficient adsorption of VOCs in the humid environment.

21: 2021/07740. 22: 2021/10/13. 43: 2021/12/01
 51: A01G

71: Zhejiang Yiligu Agricultural Science and Technology Co., Ltd.

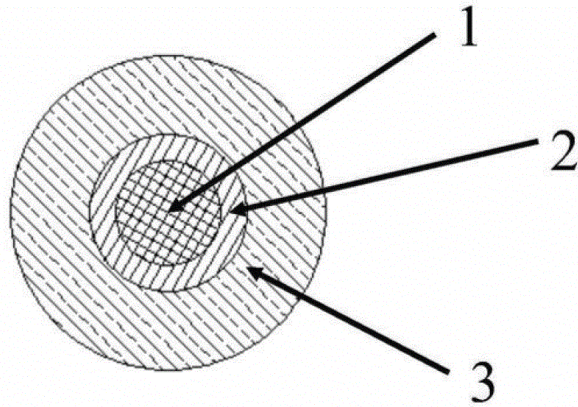
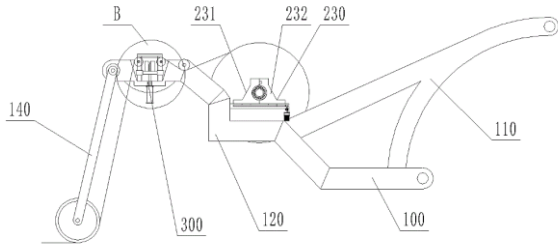
72: LI, Hanqiong, SUN, Jun, XU, Yongchao, LU, Xuefeng, HUANG, Yaoliang, XU, Dan, CHEN, Yiping, YING, Xiao

54: BLACK FILM UNWINDING AND MULCHING APPARATUS FOR BLACK-FILM WEEDS SHIELDING IN RICE PLANTING

00: -

Disclosed is a black film unwinding and mulching apparatus for black-film weeds shielding in rice planting, which includes a main bracket, an unwinding mechanism, a trimming mechanism and a film pressing wheel, where the main bracket includes a mounting bracket, an unwinding mounting bracket, a cutting mounting bracket and a film pressing mounting bracket which are fixedly connected to each other; the unwinding mechanism is mounted above the unwinding mounting bracket and the unwinding mechanism includes an unwinding roller, a first unwinding roller mounting seat and a second unwinding roller mounting seat, the first unwinding roller mounting seat and the second unwinding roller mounting seat are located at the left and right ends of the unwinding roller respectively, and the first unwinding roller mounting seat and the second unwinding roller mounting seat are both rotatably connected to the unwinding roller. In the present disclosure, the film pressing wheel and the unwinding roller still can drag a film to further transport for a distance, then the unwinding roller stops unwinding, and the film is torn apart inside, and at the moment, the head of the film still can be located below the film pressing wheel, with no need

for pulling out the head of the film again from the unwinding roller. With a simple structure, the apparatus of the present disclosure facilitates the implementation of a black-film weeds shielding technology.



21: 2021/07741. 22: 2021/10/13. 43: 2021/12/01
51: H01B

71: Shandong University

72: Wang Yongwei, Qiao Kun, Gao Xueping, Liu Yulan, Yu Junwei, Liu Bing, Zhu Bo

54: ULTRA-HIGH VOLTAGE FIBER COMPOSITE CORE OVERHEAD CONDUCTOR

00: -

The invention relates to an extra-high voltage fiber composite core overhead conductor, which comprises a fiber composite core and an outer conductor, wherein the fiber composite core comprises an inner fiber composite core layer and an outer fiber composite core layer; the fiber composite core of the invention has conductive fibers and conductive fillers, so that the core rod can conduct electricity, and the composite structure of fiber resin can ensure that the wire has good mechanical properties, so the invention can simultaneously meet the requirements of ultrahigh voltage overhead wires on mechanical properties and electrical properties; the wire provided by the invention is provided with an outer conductor which is a metal coating, so that the surface resistance of the conductor can be reduced and the surface corona phenomenon of the extra-high voltage wire can be reduced; the extra-high voltage overhead conductor of the invention has many advantages such as light weight, high strength, high conductive efficiency, light corona discharge and the like, and makes up for the shortcomings of the traditional extra-high voltage conductor.

21: 2021/07742. 22: 2021/10/13. 43: 2021/12/01
51: B29C

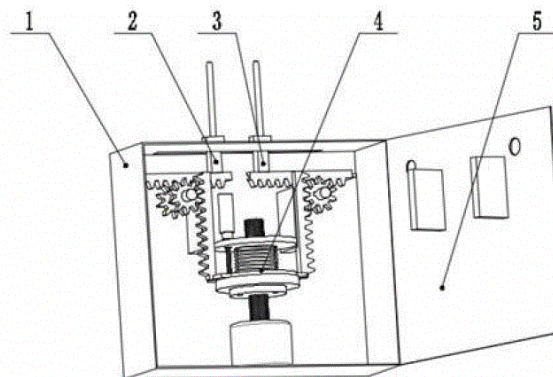
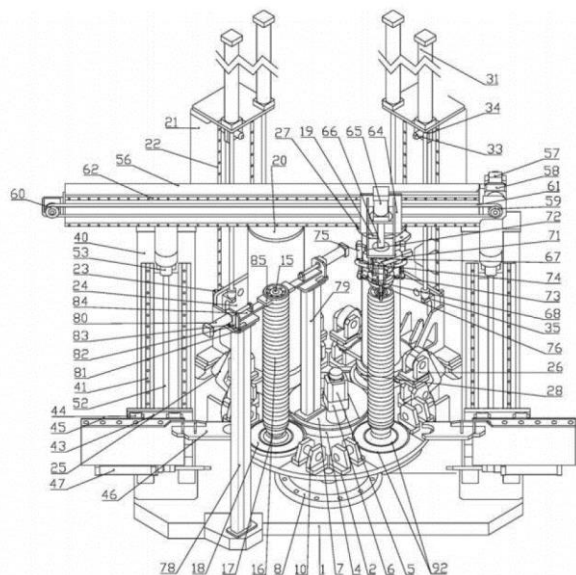
71: Qingdao University of Science & Technology

72: Zhang Weifeng, Liu Huanyi, Zhang Fuxia, Ge Guoqiang, Song Lirong

54: NEW TYPE OF AUTOMATIC VULCANIZATION UNIT WITH WRAPPING BELT

00: -

The invention discloses a new type of automatic vulcanization unit for wrapping belts, which includes a rotating part, a lifting plate part, a vulcanization cooling part, the lifting drive part, the grabbing demoulding part, the clamping auxiliary part, the lifting plate part are fixed on the rotating seat in the rotating part and are arranged in four groups, the vulcanization tank and cooling cylinder in the vulcanization cooling part are driven up and down by the cylinder, and the size of the cavity of the vulcanization tank is adapted to the mold components. The shift fork in the lifting driving part drives the mold assembly to move up and down along the core shaft rod, and the grabbing hand in the grabbing and demolding part is driven by the cylinder to separate the mold from the wrapping belt. Its advantage is that it can save a lot of steam, automatically complete the demolding process, and can simultaneously and circulate the four processes of vulcanization, cooling, demolding and mold loading, saving time and manpower, and improving the work efficiency of the entire process.



21: 2021/07743. 22: 2021/10/13. 43: 2021/12/01
51: A61B

71: Taiyuan University of Technology
72: Gao Guijun, Wang Yan, Niu Xiaofeng, Li Xuefan

54: ELASTIC FINGER CLAMPING DEVICE AND CLAMPING FORCE CALCULATION METHOD THEREOF

00: -
An elastic finger clamping device belongs to the mechanical field and comprises an upper housing, a left sliding module, a right sliding module, a direct push module and a lower housing. Characterized in that: the left sliding module and the right sliding module are symmetrically arranged on the sliding rail above the upper housing and move oppositely along the sliding rail direction; the direct push module is engaged and driven with the left sliding module and the right sliding module through gear racks.

According to the invention, elastic clamping of the electric finger can be realized, and mechanical damage caused by excessive clamping is avoided. Meanwhile, the clamping force can be calculated, and then the dynamic adjustment of the clamping force between the left slider and the right slider can be realized.

21: 2021/07744. 22: 2021/10/13. 43: 2021/12/01
51: C12P
71: Qingdao Agriculture University
72: Tang Juan, Yang Qingli, Yu Chundi, Guo Liping, Zhao Haiyan

54: FERMENTATION METHOD OF CORN STALK, FERMENTED CORN STALK PREPARED BY THE METHOD AND ITS APPLICATION

00: -
The invention discloses a method for fermenting corn stalks, a fermented corn stalk prepared by the method and its application, and belong to the technical field of biological fermentation. The corn stalk fermentation method of the present invention includes processes such as steam explosion, aerobic fermentation, and anaerobic fermentation. The method for fermenting corn stalks of the present invention can effectively degrade the cellulose component in the corn stalks and increase the protein content in the corn stalks, using the fermented corn stalks of the present invention to feed livestock and poultry can significantly improve the growth performance of animals, maintain the stability of the intestinal environment, and reduce the number of intestinal pathogenic bacteria.

21: 2021/07745. 22: 2021/10/13. 43: 2021/12/01
51: A23L

71: Sanmenxia Moyuanwai Food Co., Ltd.
72: CHEN, Xiao'e, YUAN, Liping, FANG, Xubo

54: METHOD FOR PROCESSING CADMIUM-REMOVAL CUTTLEFISH SAUCE

00: -
The present disclosure provides a method for processing a cadmium-removal cuttlefish sauce. The processing method and conditions are easy to realize, can safely and effectively remove cadmium

in the sepia, and improve the edible value of the cuttlefish sauce.

21: 2021/07746. 22: 2021/10/13. 43: 2021/12/01
51: D21H

71: Puyang Long Feng Paper Co., Ltd.

72: ZHAO, Jiuhui, FENG, Dongwang, CHEN, Dezhong, SHAO, Genbo, LIU, Gangbiao, WEI, Jiguo, SHI, Juan, LV, Shefang, YAN, Zhanwei, JIN, Qiang, LIU, Fulei, HUA, Chunfeng, FENG, Yihao, LIU, Xin, LI, Xingwei, LI, Xiaodong, LI, Xiaoqin, SUN, Huibin

54: PREPARATION PROCESS OF LIGHTWEIGHT COATED PAPER AND COATING FOR COATING SAME

00: -

The present disclosure relates to the field of papermaking, and in particular to a preparation process of lightweight coated paper and a coating for coating the same. Disclosed is a preparation process of lightweight coated paper, including the preparation of an alkaline peroxide mechanical pulp slurry and a commercial pulp slurry; manufacturing of base paper with the alkaline peroxide mechanical pulp slurry and commercial pulp slurry; a treatment process of pressing, drying and hard calendering on the base paper; a coating process of the base paper; and a treatment process of drying and supercalendering after coating. A coating for coating the lightweight coated paper has a pH of 8.5-9.0 and a solid content of 62-65%, which is used for coating the base paper in a paper machine after being prepared.

21: 2021/07747. 22: 2021/10/13. 43: 2021/12/01
51: B60P; B65B; G06Q

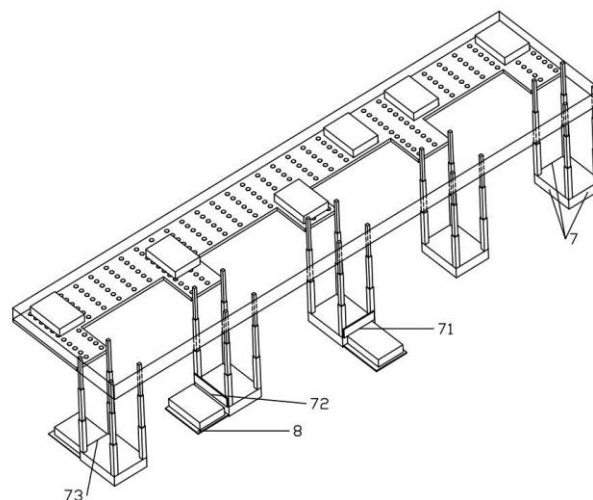
71: Shandong University of Science and Technology
72: Jia Shun, Wang Shang, Hou Tianyou, Min Xiangpeng, Chen Hong, Jie Xiaoming, Zhou Guangfeng, Guan Yihao, Zhao Jiali, Yang Yang, Zhang Jingyan, Su Shengshuai, Ma Le

54: UNMANNED FOOD DELIVERY DEVICE IN CABIN AND USE METHOD THEREOF

00: -

The invention is suitable for the field of aviation service equipment, and provides an unmanned food delivery device in the cabin. The device comprises a first conveying mechanism, a second conveying mechanism and a loading and unloading mechanism, wherein the first conveying mechanism

comprises a universal conveyor belt, and the universal conveyor belt is driven by a delivery wheel to convey lunch boxes, and the universal conveyor belt is used to transport lunch boxes back and forth between kitchen area and passenger area; a plurality of second conveying mechanisms are respectively arranged on the bottom plate of the luggage rack in the passenger area, a plurality of blanking ports corresponding to seats are arranged on the bottom plate of the luggage rack at intervals, each second conveying mechanism is respectively located at the blanking port, and is connected with the first conveying mechanism for conveying lunch boxes of the first conveying mechanism to the seats; the loading and unloading mechanism is arranged in the kitchen area and connected with the first conveying mechanism for loading or unloading the first conveying mechanism. It can automatically deliver and collect meals, and saves the space of the walkway.



21: 2021/07748. 22: 2021/10/13. 43: 2021/12/01
51: G01V

71: Earthquake Agency of Ningxia Hui Autonomous Region

72: MA, Heqing, YANG, Mingzhi, LUO, Guofu, XU, Xiaoqing, MA, Xiaojun, ZENG, Xianwei, DING, Fenghe, LUO, Hengzhi, ZHU, Pengtao

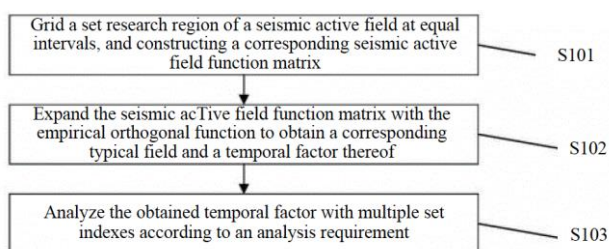
33: CN 31: 202011108712.7 32: 2020-10-16

54: METHOD AND SYSTEM FOR ANALYZING SEISMIC ACTIVE FIELD BASED ON EXPANSION OF EMPIRICAL ORTHOGONAL FUNCTION

00: -

A method and system for analyzing a seismically active field based on expansion of an empirical

orthogonal function is provided. The research region of the seismic active field is gridded at equal intervals for the preset research region of a seismic active field; a seismic active field function matrix correlated with the research region of the seismic active field spatially and temporally is constructed according to the gridding of the research region of the seismic active field; and the seismic active field function matrix is expanded with an empirical orthogonal function to obtain a main typical field and a temporal factor thereof, and an anomaly on the temporal factor of the seismic active field is analyzed with a method index, a parameter index and an anomaly index.

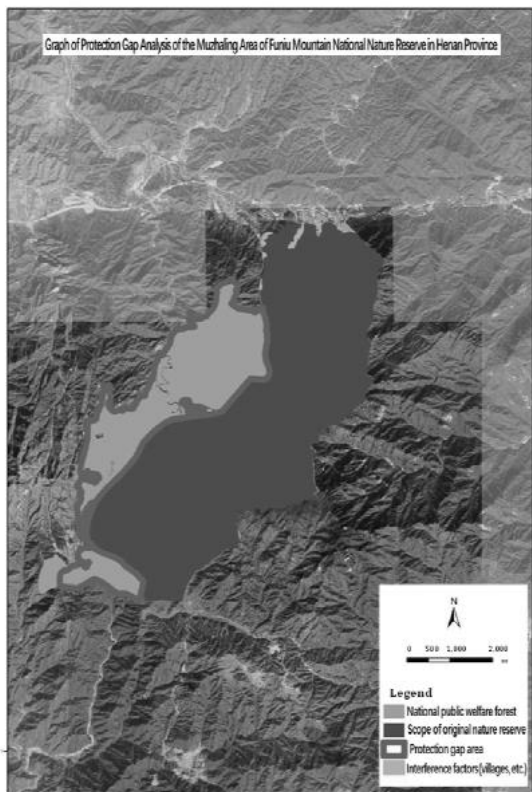


21: 2021/07749. 22: 2021/10/13. 43: 2021/12/01
 51: C10B; C10C; C10K
 71: Northwest A and F University
 72: ZHENG, Jilu, ZHU, Mingqiang, YIN, Dangyu
 33: CN 31: 202011110044.1 32: 2020-10-16
54: METHOD FOR DIRECTLY SEPARATING WOOD VINEGAR AND WOOD TAR ON-LINE
 00: -

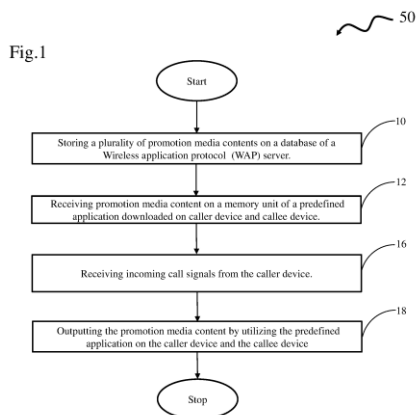
The present disclosure discloses a method for separating wood vinegar and wood tar on-line, comprising the following key steps in sequence: a key step 1, the pyrolysis gas (mixed gas of gaseous wood tar, gaseous wood vinegar, wood gas) formed by slow pyrolysis of biomass first enters a high-temperature condenser, and most of gaseous wood tar is condensed into liquid wood tar; a key step 2, the pyrolysis gas passes through a high-voltage electrostatic precipitator, and the residual wood tar droplets in the pyrolysis gas are captured and harvested under the action of the electrostatic field; a key step 3, the pyrolysis gas passes through a low-temperature condenser, and the gaseous wood vinegar in the pyrolysis gas is condensed into liquid wood vinegar. Compared with conventional separation methods of wood vinegar and wood tar.

21: 2021/07752. 22: 2021/10/13. 43: 2021/10/29
 51: G06Q
 71: EAST CHINA INVENTORY AND PLANNING INSTITUTE, NATIONAL FORESTRY AND GRASSLAND ADMINISTRATION
 72: HU, Xunyu, LOU, Yi, ZHANG, Xianwu, LIU, Daoping, CHEN, Huochun, QIAN, Yifan, FU, Yu, LIU, Jun
 33: CN 31: CN202011320949.1 32: 2020-11-23
54: METHOD AND SYSTEM FOR ANALYZING NATURE RESERVE PROTECTION GAPS
 00: -

The invention provides a method for analyzing nature reserve protection gaps, including the step of: evaluating the physical environment, biological environment and interference factors of the target area in an incremental manner per unit area according to a vector diagram of a nature reserve in a target area to obtain an analysis result of whether a protection gap area exists. Before or during this process, the method further includes the steps of: collecting spatial geographic environment data of the target area to build a basic database; collecting data representing the distribution characteristics of an ecosystem and natural resources, data representing biological distribution characteristics and data representing the service characteristics of the ecosystem to build an index database; processing the basic database and the index database, and allowing calculation of the basic database and the index database, so as to obtain a macro evaluation result of the target area.



(400), (500), by detecting at least one signal from plurality of telephony signals via signal detecting module (260) on a screen of at least one device (400) or device (500).



21: 2021/07780. 22: 2021/10/13. 43: 2021/12/01
51: H04M

71: NANGIA, Rajender Kumar, JUNEJA, Rajvir Singh, PATHAK, Santosh

72: NANGIA, Rajender Kumar, JUNEJA, Rajvir Singh, PATHAK, Santosh

33: IN 31: 201911015162 32: 2019-04-16

54: METHOD AND SYSTEM FOR PLAYING PROMOTION MEDIA CONTENT IN TELECOMMUNICATION NETWORK

00: -

A method of playing promotion media content in a telecommunication network is disclosed. The method involves storing a plurality of promotion media contents on a database (102) of server (100). The method further includes receiving media content on a memory unit of caller device (400) and callee device (500). The method is followed by receiving incoming call signals from the device (400). The method further includes outputting the promotion media content by a predefined application on the devices (400), (500). The media content is played when the device (400) commencing a call to the device (500), during telephonic conversation between the device (400) and the device (500), and after disconnecting of the call between the devices

21: 2021/07785. 22: 2021/10/14. 43: 2021/12/02
51: E21C; G01V

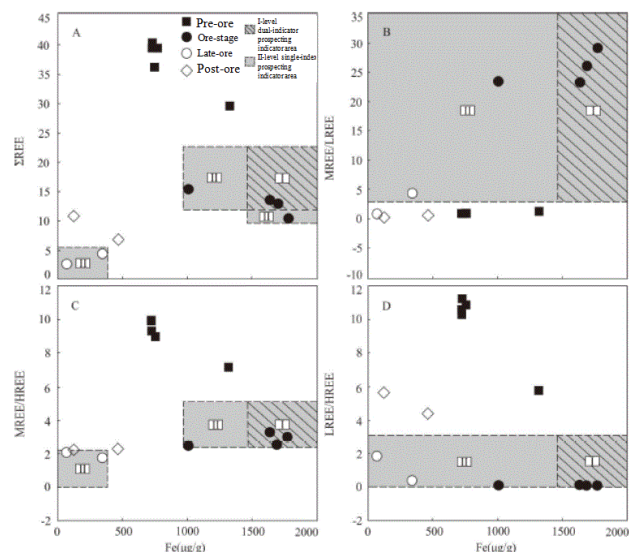
71: Kunming University of Science and Technology
72: Wang Jiasheng, Fu Hao, Li Chao, Chang Jinyang, Liu Fan

54: METHOD FOR PROSPECTING AND EXPLORATION OF CARLIN-TYPE GOLD DEPOSITS BY USING CALCITE CHARACTERISTICS

00: -

The invention discloses a method for prospecting and exploring Carlin-type gold deposits by using calcite characteristics, which comprises the following steps: collecting calcite samples in the field, observing and analyzing the mineral typomorphic characteristics of the collected calcite; then conduct trace and O isotope tests through calcite samples, and analyze the characteristics and laws of calcite REE, Fe elements and O isotope to find clues for prospecting and signs and information related to mineralization, so as to carry out prospecting exploration. The invention constructs a method for prospecting and exploration by utilizing calcite characteristics of common gangue minerals in Carlin-type gold deposits, the method can carry out more accurate analysis on the prospecting target area in combination with the traditional prospecting method, and has the advantages of low testing cost, short testing and analysis time, easy implementation and accurate and easy observation of the obtained analysis result, this will provide new ideas for the

exploration of gold resources in the "Golden Triangle" of Yunnan, Guizhou and Guangxi.



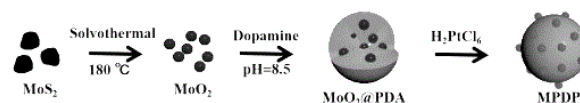
21: 2021/07786. 22: 2021/10/14. 43: 2021/12/02
51: A61P

71: Qingdao University of Science and Technology
72: He Peng, Zhao Lin, Sui Yongkun, Bi Cheng

54: MOO2-DOPED POLYDOPAMINE PLATINUM PARTICLE NANOMATERIAL AND A PREPARATION METHOD THEREOF

00: -
The invention discloses a MoO₂-doped polydopamine platinum particle nanomaterial and a preparation method thereof, belonging to the technical field of nanomaterial, which comprises MPDPs nanoparticles, wherein the MPDPs nanoparticles comprise MoO₂ nanoparticles, Tris-HCl, dopamine hydrochloride powder, deionized water, PDA@MoO₂ solution and chloroplatinic acid aqueous solution, and the MoO₂ nanoparticles comprise H₂O₂, MoS₂ powder and ethanol. According to the MoO₂-doped polydopamine platinum particle nanomaterial and the preparation method thereof, the device synthesizes the final MoO₂@PDA@Pt(MPDPs) nanoparticles by in-situ reduction on the surfaces of polydopamine particles, and the designed and synthesized MPDPs nanoparticles have the functions of surface enhancement Raman, photothermal and oxygen generation, and the size of the synthesized MPDPs nanoparticles is about 40 nm, which can enter tumor cells through endocytosis to realize cancer detection and treatment, and platinum particles can enhance

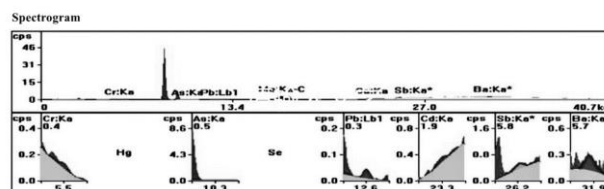
SERS, photothermal and oxygen production performance, which makes the device widely used.



21: 2021/07787. 22: 2021/10/14. 43: 2021/12/20
51: A43B
71: Xuzhou College of Industrial Technology
72: Yunhui Xu, Zaixue Wang, Keyong Tang, Yonggang Guo, Guowen Weng, Chen Yang, Lei Lu, Yanan Zang, Houluo Cong

54: AN ENVIRONMENT-FRIENDLY FLAME-RETARDANT NEOPRENE MATERIAL FOR SHOES

00: -
The invention discloses an environment-friendly flame-retardant neoprene material for shoes, comprising the following raw materials in mass part: 100 phr of chloroprene rubber CR, 4-6 phr of zinc oxide, 3-5 phr of magnesium oxide, 5-30 phr of carbon black, 0.45-1.05 phr of MTT-80, 0.15-0.35 phr of HPCA-50, 7-13 phr of aluminum hydroxide, 7-13 phr of ammonium polyphosphate, 0.25-0.75 phr of accelerator DM, 1-3 phr of antioxidant MB, 0.5-1.5 phr of stearic acid, 2-5 phr of processing aid WB16, 5-15 phr of hexamoll dinch. The material has the characteristics of being environment-friendly, flame-retardant, low-pollution and high-performance, it can be used to make shoe soles, after vulcanization, the product complies with EU EN-71 standards, ensuring the export sales of products.

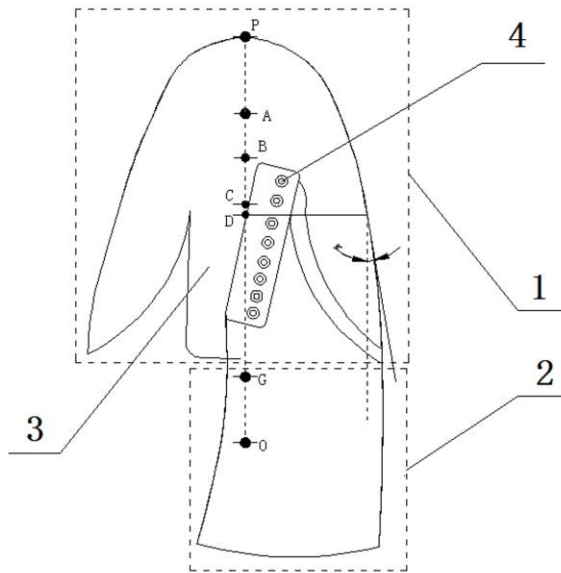


21: 2021/07788. 22: 2021/10/14. 43: 2021/12/02
51: A43D
71: Xuzhou College of Industrial Technology
72: Yunhui Xu, Zaixue Wang, Yanan Zang, Keyong Tang, Yonggang Guo, Guowen Weng, Houluo Cong, Lei Lu, Chen Yang

54: A KIND OF SHOE UPPER FOR NEW TYPE TRAINING SHOES

00: -

The invention discloses a A kind of shoe upper for new type training shoes, wherein the upper includes a front upper, a rear upper, and a tongue and an eyelet installed on the front upper; wherein the lap width of the front upper and the rear upper is 8-10mm for the 44 percent of the length; wherein the height of the heel in the rear upper is 80-100mm, and the convexity is about 5-7mm; wherein the apex of the tongue is lower than the two ends of the front upper 1-3mm, and the width occupies 42-46 percent of the width of the corresponding upper surface. The beneficial technical effects of the invention: the upper of training shoes is wear-resistant, breathable and beautiful; the rear upper of high-top training shoes is high and soft, and does not hurt during training; the process adopts the bottom hemming process, without the use of bands; this kind of shoe upper has a simple structure and strong practicability.

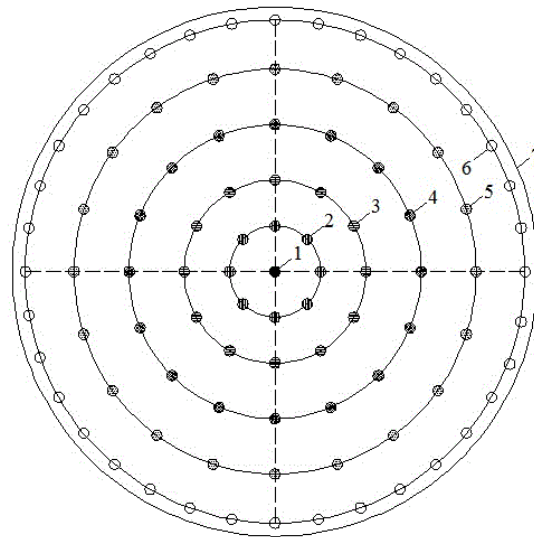


21: 2021/07789. 22: 2021/10/14. 43: 2021/12/02
 51: E21D
 71: Anhui University of Science and Technology
 72: Wang Haibo, Wang Hao, Wang Mengxiang, Ma Shoulong, Cheng Bing, Zong Qi

54: VERTICAL SHAFT STRAIGHT HOLE PROGRESSIVE CUT METHOD BASED ON REINFORCED CRACKING CHARGE AND SINGLE-SIDE SLIT CHARGE

00: -
 The invention disclose a vertical shaft straight hole progressive cutting method base on reinforced

cracking charge and single-side slit charge, which comprises that follow steps: drilling: drilling a central cut hole perpendicular to a working face, wherein the central cut hole is located in the center of the working face, and sequentially drilling first circle of cut holes, second circle of cut holes, third circle of auxiliary holes, fourth circle of auxiliary holes and peripheral holes from inside to outside with the central cut hole as the center; and the peripheral holes are positioned in the excavation outline of the working face; charging: sequentially filling the central cut hole with third-sections reinforced cracking charge, interval stemming, second-section reinforced cracking charge, interval stemming, first-section of reinforced cracking charge and plugging stemming from the bottom end of the hole to the orifice end; blasting: initiating in sequence according to blasting sections: one-stage blasting, second-stage blasting, third-stage blasting, fourth-stage blasting, fifth-stage blasting and sixth-stage blasting. The method can obtain a larger cavity volume, increase the free surface for subsequent blasting, reduce the use of clamps, improve the utilization rate of blast holes and reduce the drilling difficulty.



21: 2021/07790. 22: 2021/10/14. 43: 2021/12/02
 51: G06Q
 71: Institute of Food and Nutrition Development, Ministry of Agriculture and Rural Affairs, Chemmind Technologies (Beijing) Co, Ltd.

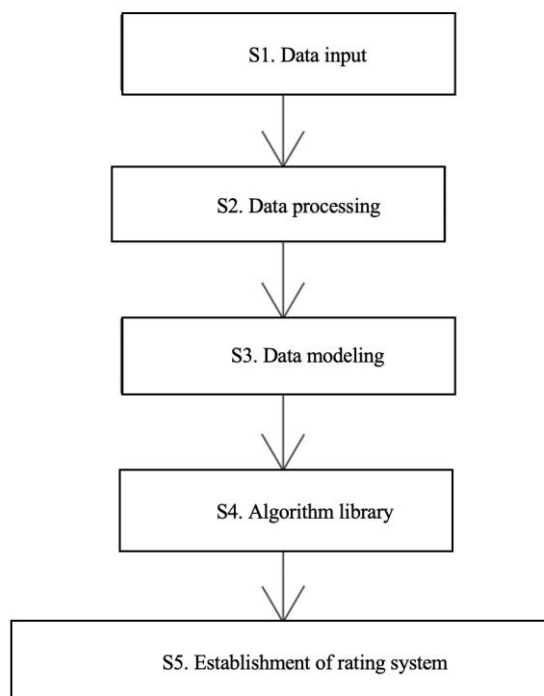
72: WANG, Jing, TIAN, Runtao, HAN, Di, LIU, Tao, LI, Fangyan, HE, Xiaoye, LIU, Xinyue, ZHU, Zijian, LI, Hu, WU, Meishan

33: CN 31: 202111049289.2 32: 2021-09-08

54: ARTIFICIAL INTELLIGENCE BASED QUALITY AND NUTRITION RATING SYSTEM OF AGRICULTURAL PRODUCTS

00: -

The present invention provides an artificial intelligence based quality and nutrition rating system of agricultural products, and relates to the field of artificial intelligence. The system includes the following steps: S1. testing of agricultural products, and input of test data of the agricultural products; S2. data processing of the test data of the agricultural products, wherein the data processing includes a multispectral instrument data processing system and an omics data analysis systems; S3. data modelling of a basic database of quality and nutrition of agricultural products; S4. a chemometrics and machine learning algorithm library for the rating of the agricultural products; and S5. establishment of an agricultural product rating system. By means of the combination of agricultural product testing and artificial intelligence, the present invention can promote the in-depth understanding on the material basis and the functional law of the quality and nutrition of the agricultural products, which is beneficial to promoting the rating of the agricultural products, and promoting the transformation and development of agricultural production in China from the survival food supply to healthy quality and nutrition improvement.



21: 2021/07791. 22: 2021/10/14. 43: 2021/12/02

51: C02F; C22B

71: Jiangxi University of Science and Technology

72: Liao Chunfa, Zeng Yanliang, Nie Huaping, Jiao Yunfen

54: METHOD FOR EFFICIENTLY RECOVERING ARSENIC, ANTIMONY AND BISMUTH FROM COPPER ANODE SLIME IN STEPS

00: -

The invention discloses an improvement of a copper anode slime leaching process, particularly to a method for leaching, separating and enriching antimony, bismuth and arsenic in stages from copper anode slime.

21: 2021/07792. 22: 2021/10/14. 43: 2021/12/02

51: B29C; B32B

71: Shandong University

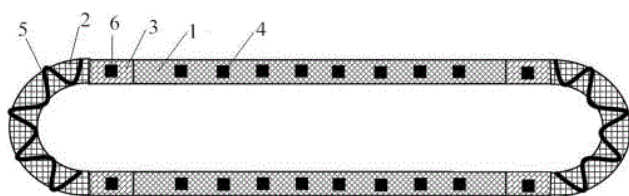
72: Cai Xun, Zhu Bo, Yu Kuan, Cao Weiwei, Wang Yongwei

54: INTELLIGENT TWO-DIMENSIONAL CARBON FIBER COMPOSITE PRESSURE CYLINDER AND PREPARATION METHOD THEREOF

00: -

The invention discloses an intelligent two-dimensional carbon fiber composite pressure cylinder and a preparation method thereof, and relates to the field of novel composite pressure vessels. The intelligent two-dimensional carbon fiber

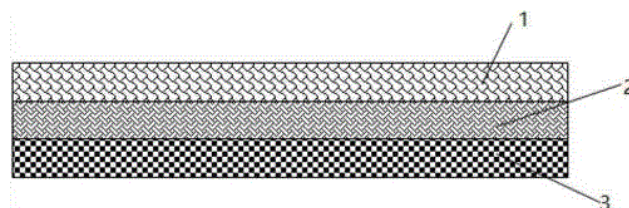
composite material comprises a cylinder body, a head section and a connecting section for connecting the cylinder body and the head section. Wherein, the cylinder body is a two-dimensional spiral winding layer, and first sensors which are uniformly distributed are arranged at the middle or outer surface of the cylinder body; the head section is also a two-dimensional spiral winding layer, and second sensors which are uniformly distributed are arranged at the middle or outer surface of the head section; the connecting section connects the cylinder body and the head section through a longitudinally stitched two-dimensional braided laminated structure, a third sensor is arranged at the middle or outer surface of the connecting section. The method can effectively monitor the state of the composite pressure-resistant structure, and realize the life prediction and working condition tracking of the composite pressure cylinder.



21: 2021/07793. 22: 2021/10/14. 43: 2021/12/02
 51: B29C; B32B
 71: Shandong University
 72: Qiao Kun, Cao Weiwei, Wang Yongwei, Gao Xueping, Yuan Xiaomin, Yu Junwei, Zhu Bo
54: THREE-DIMENSIONAL BRAIDED CARBON-CARBON COMPOSITE PLATE AND PREPARATION METHOD THEREOF
 00: -

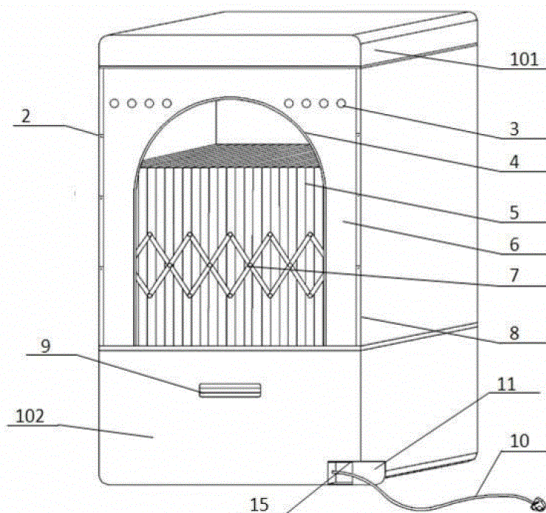
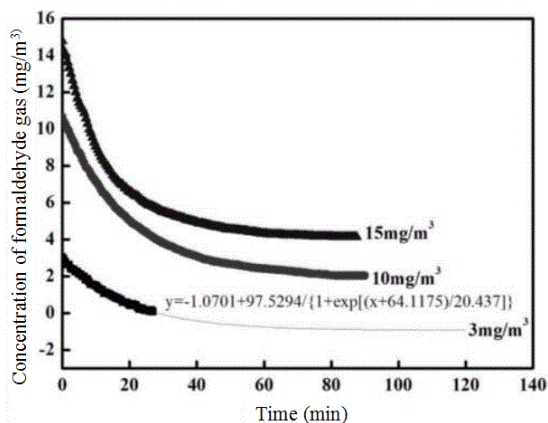
The invention discloses a three-dimensional braided carbon-carbon composite plate and a preparation method thereof, and belongs to the field of carbon-carbon composite materials. The three-dimensional braided carbon-carbon composite plate comprise a surface ablation-resistant layer, an intermediate strength layer and an internal rigid layer, wherein that surface ablation-resistant layer, the intermediate strength layer and the internal rigid layer are all prepared by adopting a three-dimensional braided prefabricated fabric structure, and are formed by adopting a modified high-temperature resistant resin matrix to be dipped for many times, carbonized by inert gas and then subjected to high-temperature graphitization treatment. The invention has high

interlayer bonding strength and comprehensive properties of high rigidity and ablation resistance.



21: 2021/07794. 22: 2021/10/14. 43: 2021/12/02
 51: C01B
 71: Shandong University
 72: Zhu Bo, Yu Junwei, Qiao Kun, Yu Liyuan, Di Chengrui, Zhang Min, Zhang Ye
54: COMPOSITE ACTIVATED POROUS CARBON MATERIAL AND PREPARATION METHOD AND APPLICATION THEREOF
 00: -

The invention discloses a composite activated porous carbon material and a preparation method and application thereof, belonging to the field of environmental protection engineering. The porous carbon material has the simultaneous grafting of organic polybasic acid, ethylenediamine or propane diamine, and the surface contains a large number of carboxyl groups, amino groups and amide groups. A large number of amino groups and carboxyl groups exist on the surface of the composite activated porous carbon material prepared by the invention, and a large number of amide groups exist, so that the composite activated porous carbon material has the advantages of high adsorption rate, large adsorption capacity and the like in the aspect of formaldehyde adsorption. The method provided by the invention is simple and easy to realize continuous or batch production.



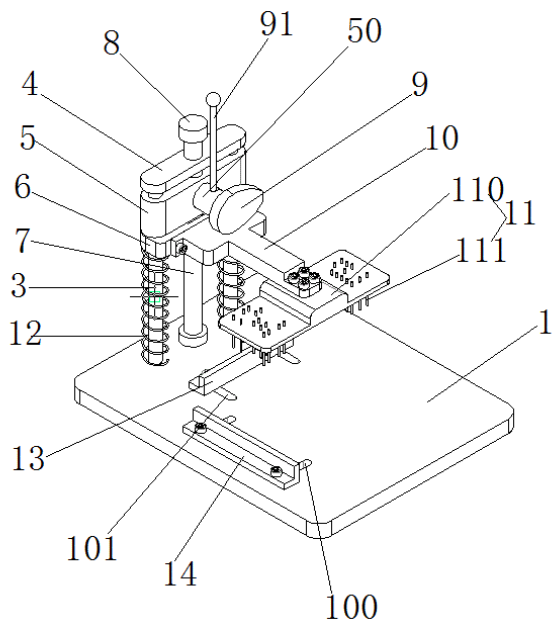
21: 2021/07795. 22: 2021/10/14. 43: 2021/12/02
 51: B65D
 71: Jiangxi Agricultural University
 72: Tang Ming, Xu Ying, Yu Fen, Qiu Lihong, Zhang Rui, Fan Yu, Zhao Liaocheng
54: PORTABLE MULTIFUNCTIONAL DRYING DEVICE FOR FIELD SAMPLING

00: -
 The invention discloses a portable multifunctional drying device for field sampling, which comprises a box shell, wherein the box shell comprises an upper body and a lower body detachably connected with the upper body; nylon cloth is surrounded between the edge of the bottom opening of the upper body and the edge of the top opening of the lower body; The nylon cloth is provided with an opening, an arched zipper is arranged at the edge of the opening, and the opening is connected with a curtain through the arched zipper; Two symmetrically arranged slide rails are arranged in the lower body, and a plurality of specimen racks are slidably connected between the two slide rails; The lower body is internally provided with a heating pipe which is positioned below the slide rail and is electrically connected with a power cord. According to the invention, the traditional specimen drying device is improved, and convenience is provided for field sampling work.

21: 2021/07796. 22: 2021/10/14. 43: 2021/12/02
 51: G01N; H05K
 71: Zhejiang University of Water Resources and Electric Power
 72: Wu Xiushan, Cui Jiamin, Yao Wei, Zhang Guoqin, Peng Tao
54: CIRCUIT BOARD DETECTION TOOLING

00: -
 The utility model relates to the technical field of detection tooling, and discloses a circuit board detection tooling, which comprises a bottom plate, the rear end of the bottom plate is fixed with two vertical sliding rods, a connecting plate is fixed between the upper ends of the sliding rods, and an upper sliding block and a lower sliding block are arranged between the sliding rods; a vertical screw is arranged between the two sliding rods, and the upper end of the screw passes through the connecting plate and is rotationally connected with the connecting plate; the upper end of the screw is provided with a rotating handle, the screw passes through the upper sliding block and is threaded with the upper sliding block, and the front side of the upper sliding block is provided with a cam; the cam is rotationally connected with the upper sliding block, and a supporting plane is arranged on the contour surface where the large diameter end of the cam is located; the front side of the lower sliding block is fixed with a connecting arm, and the front end of the connecting arm is fixed with a detection assembly for pin detection on the circuit board; a compression spring is arranged between the lower end of the sliding rod and the lower sliding block, and the top

surface of the connecting arm butts with the contour surface of the cam. The utility model has the advantages of convenient use, high detection efficiency and effective prevention of missed detection.

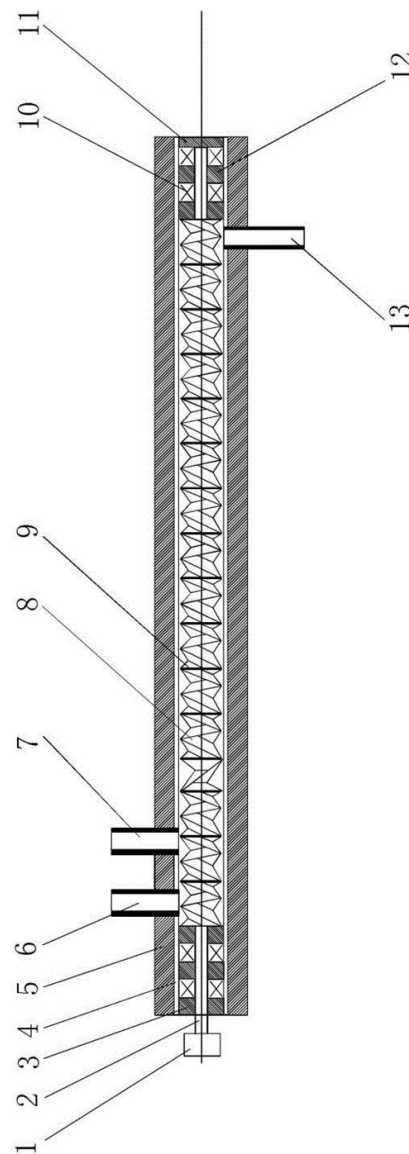


21: 2021/07797. 22: 2021/10/14. 43: 2021/12/02
 51: D01D; D01F; D06M
 71: Shandong University
 72: Zhao Shengyao, Lv Jianguo, Gao Xueping, Yuan Xiaomin, Cai Xun, Cai Fei, Sun Na, Zhu Bo

54: HIGH-EFFICIENCY SCREW DISSOLVING DEVICE

00: -
 The invention relates to a high-efficiency screw dissolving device. It can meet the demand of spinning high-performance precursor in carbon fiber production, and has good sealing effect, which can effectively prevent the solution from overflowing. The high-efficiency screw dissolving device comprises a corrosion-resistant screw cavity, wherein one end of the screw cavity is provided with at least one feed inlet and the other end is provided with at least one discharge port; sealing devices are also arranged at both ends of the screw cavity; the inn wall of that screw cavity is provided with a corrosion-resistant coat; the screw assembly comprises a core rod and a plurality of dissolving assemblies assembled on the core rod, wherein two ends of the core rod are rotatably arranged in a screw cavity through bearings, and one end of the core rod is connected

to a power device; each dissolving assembly is an independent spiral block with teeth.

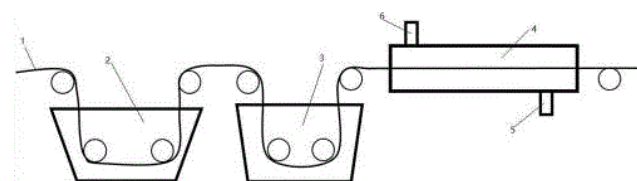
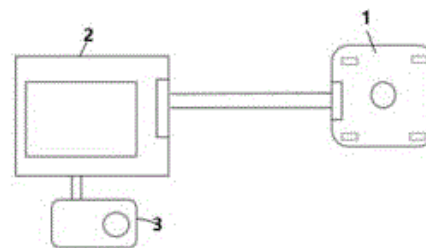


21: 2021/07798. 22: 2021/10/14. 43: 2021/12/02
 51: D06M
 71: Shandong University

54: SURFACE ACTIVATION TREATMENT DEVICE AND PROCESS FOR ACTIVATED CARBON FIBER TO ADSORB HEAVY METAL IONS

00: -
 The invention discloses a surface activation treatment device and process for activated carbon fiber to adsorb heavy metal ions, and belongs to the field of carbon fiber surface treatment. The surface

activation treatment device for the activated carbon fiber to adsorb heavy metal ions sequentially includes: surface treatment device: surface treatment device is used for surface treatment of carbon fiber with nitric acid; ultrasonic cleaner: ultrasonic cleaner is used for ultrasonic vibration treatment of carbon fiber after surface treatment; activation device: the activation device is used to pass in water vapor to activate the carbon fiber after the oscillation treatment. The activation device is provided with a water vapor inlet and a water vapor outlet. The activated carbon fiber prepared by the invention has good flexibility, the activation process adopts a combination of multiple processes, and the product acquisition rate is high.

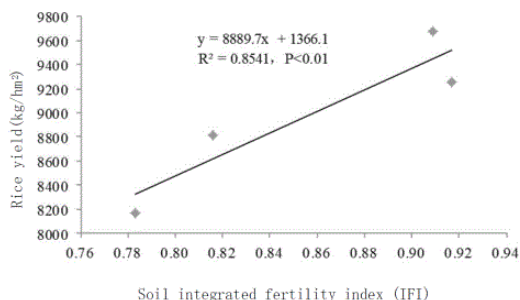


21: 2021/07799. 22: 2021/10/14. 43: 2021/12/02
 51: G08B
 71: Civil Aviation Flight University of China
 72: DENG, Li, LIU, Quanyi, HE, Yuanhua, WANG, Haibin, ZHU, Bo, WANG, Kang
54: PHOTOELECTRIC SMOKE DETECTOR FOR AIRCRAFT CARGO COMPARTMENT
 00: -

The utility model provides a photoelectric smoke detector for aircraft cargo compartment, which comprises a dual-band smoke detector, a signal processing circuit board and an alarm device; the dual-band smoke detector is in data transmission connection with the signal processing circuit board, and the signal processing circuit board is in data transmission connection with the alarm device; the dual-band smoke detector is configured to emit light waves of two wavelengths to detect and identify smoke, and is also configured to receive the light waves emitted back due to shielding of the smoke; and transmit the reflected wave signal to the signal processing circuit board; the signal processing circuit board is configured to compare difference and set a reasonable threshold, and output a fire smoke judgment signal and transmit the signal to the alarm device; and the alarm device will issue an alarm if combustion smoke exists.

21: 2021/07800. 22: 2021/10/14. 43: 2021/12/02
 51: G01N
 71: Institute of Agricultural Resources and Environment, SAAS, Institute of Agricultural Resources and Regional Planning, CAAS
 72: FAN, Hongzhu, XU, Minggang, ZHANG, Huimin, CHEN, Qingrui, ZHANG, Xiao, LI, Changke
54: EVALUATION METHOD FOR SOIL FERTILITY OF PURPLE SOIL PADDY FIELD

00: -
 The present invention belongs to the technical field of soil fertility evaluation, and discloses an evaluation method for soil fertility of purple soil paddy field, including steps: S1, acquiring values of soil indexes in a soil fertility index, and calculating a membership value and a weight coefficient of each soil index according to the values of the soil indexes, wherein the soil fertility index is composed of the following soil indexes: bulk density, pH, organic matter, total nitrogen, total phosphorus, total potassium, alkali-hydrolyzed nitrogen, available phosphorus, available potassium, cation exchange capacity, microbial biomass carbon, microbial biomass nitrogen and relative yield; and S2, obtaining a soil integrated fertility index used for evaluating soil fertility by calculation according to the membership values and the weight coefficients of the soil indexes. The present invention has the characteristics of comprehensive and reasonable selection of soil evaluation indexes.



21: 2021/07801. 22: 2021/10/14. 43: 2021/12/02
 51: A23L; C07J; A61P
 71: Ocean University of China, QINGDAO INSTITUTE OF MARINE BIORESOURCES FOR NUTRITION AND HEALTH INNOVATION
 72: XU, Jie, LI, He, XUE, Changhu, CONG, Peixu, WANG, Yuming, LI, Zhaojie, JIANG, Xiaoming
54: METHOD FOR PREPARING SEA CUCUMBER STEROL SULFATE AND APPLICATION THEREOF

00: -
 The present disclosure relates to the technical field of screening of active substances. The sterol sulfate prepared by the present disclosure is used for the preparation of foods or medicines for improving cholesterol balance and regulating lipid metabolism.

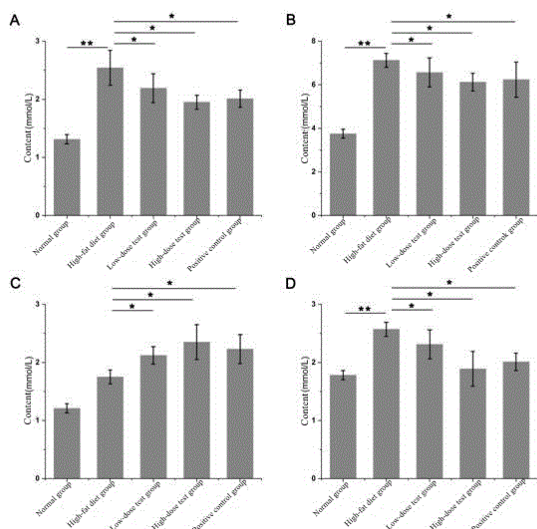
54: TERNARY COMPOSITE COMPONENT HIGH-EFFICIENCY ANTIMICROBIAL AND ANTIVIRAL TREATMENT AGENT, PREPARATION METHOD AND USES THEREOF

00: -
 The present invention discloses a ternary composite high-efficiency antimicrobial and antiviral treatment agent, a preparation method and uses thereof. The antimicrobial and antiviral treatment agent comprises a ternary active antimicrobial and antiviral component of zinc-loaded silica sol, long-acting chlorine-containing organic antimicrobial agent and macromolecular antimicrobial agent, and a cosolvent, a solubilizer, and water. The functional nanofibers obtained by the present invention have an antimicrobial rate of more than 99% against E. coli, Staphylococcus aureus and Candida albicans, and have a very good inhibitory effect against influenza A virus (H1N1), and are non-toxic and non-irritating to the skin, exhibiting a very good and durable effect.

21: 2021/07803. 22: 2021/10/14. 43: 2021/12/02
 51: A01N; A01P
 71: Sanhe Jingna Environmental Technology Co., Ltd.

54: METHOD FOR PREPARING SILICON-BASED SILVER-LOADED ANTIBACTERIAL AGENT

00: -
 The present disclosure discloses a method for preparing a silicon-based silver-loaded antibacterial agent. The method is from the patent ZL201410009948. The nano-silver sol is simply stirred in water/alcohol mixed solution, then the silica material is added and stirred to form a suspension; then the resulting suspension is homogenized once or twice through a high-pressure homogenizer under a pressure of 100-200 Mpa at a temperature of 55-65 degrees centigrade; finally the homogenized material is heated and stirred to remove water/alcohol solvent, to obtain an ultra-fine powdered silicon-based silver-loaded antibacterial agent. When the silicon-based silver-loaded antibacterial agent obtained by the method of the present disclosure is applied to a high-transparency silicone rubber material, it does not produce adverse effect on the transparency of the material itself and meets the performance requirements of high-end antibacterial products.



21: 2021/07802. 22: 2021/10/14. 43: 2021/12/02
 51: A01N; D01F; A01P
 71: Sanhe Jingna Environmental Technology Co., Ltd.
 72: LI, Zeguo, MA, Ying, JIANG, Hongjuan

21: 2021/07804. 22: 2021/10/14. 43: 2021/12/02
51: A01C

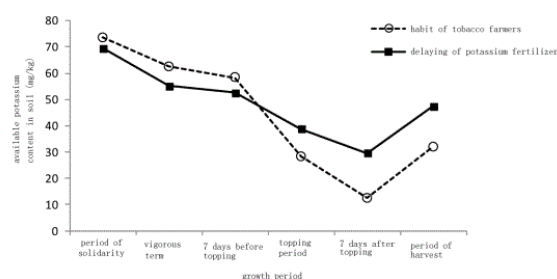
71: Liangshan Prefecture Branch of Sichuan Tobacco Company, Institute of Agricultural Resources and Environment, SAAS

72: FAN, Hongzhu, WANG, Yong, CHEN, Yulan, CHEN, Qingru, QIN, Yusheng, ZHANG, Xiao, LI, Changke

54: FERTILIZATION METHOD FOR CONTROLLING TOTAL AMOUNT OF POTASSIUM FERTILIZER FOR TOBACCO AND DELAYING TOPDRESSING

00: -

The present invention discloses a fertilization method for controlling total amount of potassium fertilizer for tobacco and delaying topdressing, which comprises the following steps of: 1) applying a base fertilizer, wherein fertilization period is when tobacco seedlings are transplanted, and a fertilizer application amount is 45-55% of a potassium application amount; 2) topdressing for a first time, wherein fertilization period is 15-25 days after the tobacco seedlings are transplanted, and a topdressing amount is 15-25% of the potassium application amount; 3) topdressing for a second time, wherein fertilization period is 35-40 days after the tobacco seedlings are transplanted, and a topdressing amount is 15-25% of the potassium application amount; and 4) topdressing for a third time, wherein fertilization period is 60-65 days after the tobacco seedlings are transplanted, and a fertilizer topdressing amount is 5-15% of the potassium application amount.



21: 2021/07830. 22: 2021/10/14. 43: 2021/12/02
51: B01F

71: YANKUANG LUNAN CHEMICALS CO., LTD.

72: WANG, Guangyi, ZHANG, Ling, ZANG, Xiaochen, CAO, Lingling, CHANG, Liang, SHEN, Qi, MENG, Fanchao, TIAN, Xinwei, MA, Zhenzhou,

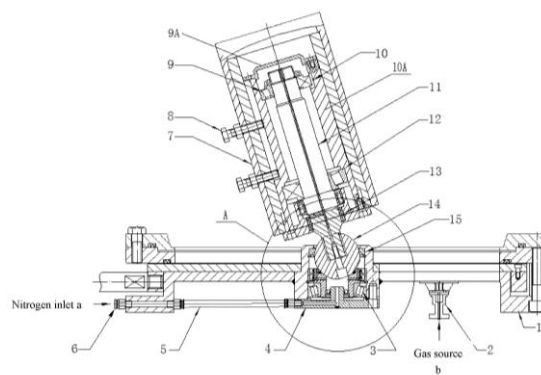
YANG, Juan, XU, Hongqiu, HUANG, Wenlong, ZHANG, Wen, MA, Yuanbin

33: CN 31: 201910208529.5 32: 2019-03-19

54: BOTTOM STRUCTURE FOR POWDER MIXING AGITATOR, MIXING AGITATOR, AND STORAGE DEVICE

00: -

The present invention relates to a bottom structure for a powder mixing agitator, a mixing agitator, and a storage device. The bottom structure comprises a support base plate, a middle part of the support base plate is provided with a ball head support seat, a ball head is disposed in the ball head support seat, a quill shaft is fixedly connected to the outside of the ball head, an outer ring of the quill shaft is sleeved with a shaft sleeve, the shaft sleeve is rotatably connected with the quill shaft, and the shaft sleeve is used to connect an external agitating shaft. The present invention can solve the problems that the bottom support in the mixing agitator is prone to generate high heat to cause agglomeration of materials, and the groove in the agitating shaft is easily separated from the thimble so that the agitating shaft is damaged.



21: 2021/07842. 22: 2021/10/15. 43: 2021/12/02
51: A01C; C05G

71: Qingdao Agricultural University

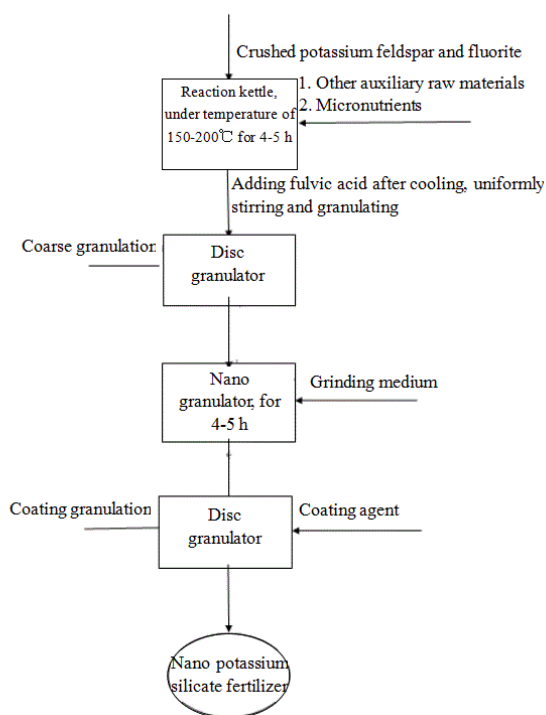
72: Shi Yan, Chen Shuang, Cao Wenqin

54: NANO POTASSIUM SILICATE FERTILIZER AND PREPARATION METHOD THEREOF

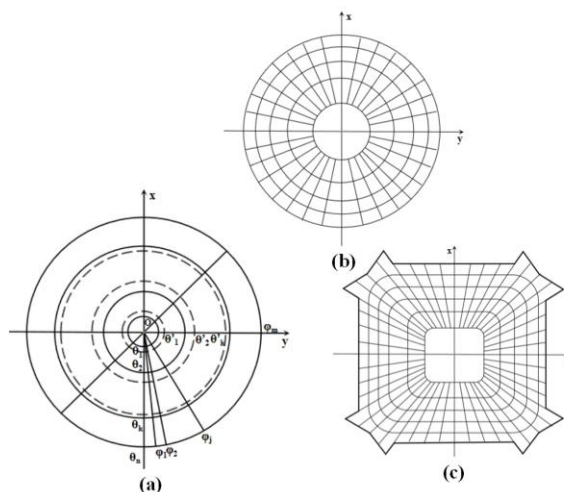
00: -

Disclosed are a nano potassium silicate fertilizer and a preparation method thereof, which belong to that technical field of fertilizers. The raw materials adopted comprise the following components: silicon-

bearing ore, macronutrients, micronutrients, water, auxiliary raw materials, grinding medium and coating agent. Prepared under nanotechnology, the nanoscale fertilizer of the present disclosure has larger specific surface area, which facilitates the absorption of crop, and improved utilization efficiency of fertilizer as a result; itaconic anhydride and tetrabutyl orthosilicate are used to form a protective film on the outside of the fertilizer, and the film helps to slow the releasing of the potassium silicate fertilizer and reduce the leaching and runoff loss of the potassium silicate fertilizer; the slowed releasing of fertilizer and improved yields as well as fertilizer utilization efficiency are achieved therefore.



method, which is characterized in that the specific steps are: grid division of the light source and the target illumination plane, establishment of the mapping relationship between the light source and the target surface, and the use of iteration. The way to form an initial free-form surface, according to the illuminance of the target surface of the extended light source, a feedback coefficient is established for each iteration curve, the grid points are corrected and a new mapping relationship is established, and finally a good uniformity and energy utilization are formed. A free-form surface lens with no illuminance in the center of the target surface with high efficiency. The free-form surface lens designed by the invention has good uniformity in the illumination area, high light energy utilization rate, and broad application prospects.



21: 2021/07843. 22: 2021/10/15. 43: 2021/12/02
 51: G02B
 71: NANTONG UNIVERSITY
 72: SONG, Guohua, YANG, Chao, FAN, Tingtong, MIAO, Jianwen
 33: CN 31: 202111060783.9 32: 2021-09-13
54: DESIGN OF AN LED FREEFORM LENS BASED ON THE BIDIRECTIONAL FEEDBACK GRID METHOD

00: -
 The invention discloses a design of an LED freeform lens based on the bidirectional feedback grid

21: 2021/07844. 22: 2021/10/15. 43: 2021/12/02
 51: H02K
 71: ANHUI UNIVERSITY OF SCIENCE AND TECHNOLOGY
 72: GAO, Jian, SHEN, Jing
54: CAST COPPER ROTOR OF MOTOR
 00: -

The present invention relates to the technical field of rotors, and particularly relates to a cast copper rotor of a motor. The cast copper rotor of a motor includes a housing, where a connecting rod is connected to an inner wall of the housing, the connecting rod is connected to a cylindrical ring, an oil conveying mechanism is connected besides the connecting rod, a first inflating pipe is disposed inside the oil conveying mechanism, the first inflating pipe is connected to a blower, one end of the blower is

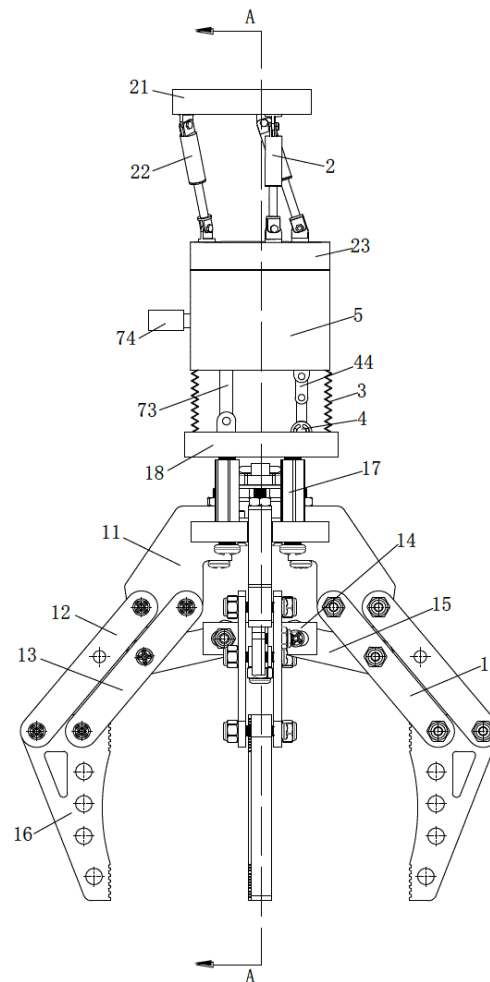
connected to an air outlet pipe, the air outlet pipe is connected to a water conveying mechanism, the top of the water conveying mechanism is provided with a first water outlet, a second water outlet and a water inlet, the pipe openings are respectively connected to a center groove inside the cylindrical ring, a rotating shaft is disposed in the center inside the cylindrical ring, and a center shaft is disposed in the center of the rotating shaft. A design of a planetary gear set is adopted inside the rotor, so that the large-area contact of the inside rotor with the gear is avoided, the center shaft of the rotor drives a gearwheel to rotate, the center shaft and the gearwheel adopt direct clamping, and the transmission efficiency is high. Secondly, a contact area between the gearwheel and a pinion is small, and the transmission efficiency is high, so that a phenomenon of higher temperature inside the motor due to severe friction during rotation can be avoided.

encapsulation case. The bottom of the parallel rotating structure is rotationally connected with the encapsulation case, a gripper angle adjusting cavity is formed in the encapsulation case, an angle control structure is disposed in the gripper angle adjusting cavity, and a bottom end of the angle control structure is hinged to the grasping structure. The grasping structure includes a first fixing plate, a first rotating rod, a second rotating rod, a second fixing plate, a third rotating rod, a clamping plate, fixing rods, a third fixing plate, a first motor and a lead screw. Top ends of the four fixing rods are all in threaded connection with the bottom of the third fixing plate. Through the arrangement of the angle control structure and a rotating structure at the bottom of the parallel rotating structure, a rotating angle of the parallel rotating structure is increased, the gripper is favorably applied to more working scenarios, and the sensitivity of the gripper is effectively improved.



21: 2021/07845. 22: 2021/10/15. 43: 2021/12/02
 51: B23Q
 71: ANHUI UNIVERSITY OF SCIENCE AND TECHNOLOGY
 72: LI, Yihua, ZUO, Cheng, YU, Zuyu, YAO, Jintao
54: MULTI-AXIS NUMERICAL CONTROL GRIPPER BASED ON PARALLEL MECHANISM
 00: -

The present invention relates to the field of grippers, and more particularly relates to a multi-axis numerical control gripper based on a parallel mechanism. The multi-axis numerical control gripper based on a parallel mechanism includes a grasping structure, a parallel rotating structure and an



21: 2021/07846. 22: 2021/10/15. 43: 2021/12/02
51: B23Q; B25J

71: ANHUI UNIVERSITY OF SCIENCE AND TECHNOLOGY

72: GAO, Jian, SHEN, Jing

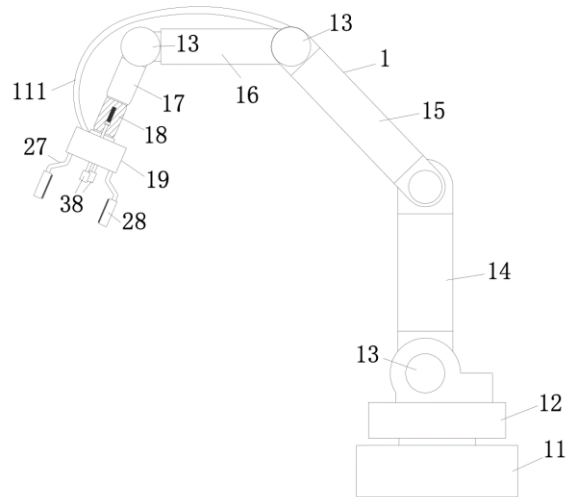
54: INDUSTRIAL ROBOT BASED ON INTERNET OF THINGS

00: -

The present invention discloses an industrial robot based on Internet of Things. The industrial robot based on Internet of Things includes a main body, a first clamp, a second clamp and a steering mechanism. A scanner scans a target to be clamped, determines the size of the target, and feeds back the same to a main control computer for clamp selection through threshold value limitation.

The first clamp is suitable for clamping a larger target, the second clamp is suitable for clamping a smaller target, and the clamping and carrying of different objects can be achieved under the cooperation of the first clamp and the second clamp.

Through a combined structure of a limiting support rod, a buffer sleeve rod and a reset spring, the adaptation to objects of different shapes can be realized, a clamping area is increased, and at the same time, a clamping force intensity can be ensured. Through the cooperation of a limiting wedge head and a limiting clamp groove and the cooperation of a linkage guide post and a limiting guide groove, it is ensured that the second clamp cannot to swing or deflect in the use process, and the stability of the second clamp is promoted.



21: 2021/07847. 22: 2021/10/15. 43: 2021/12/02
51: F16H

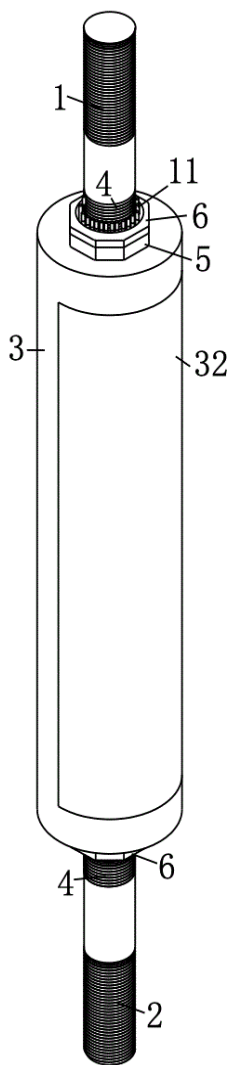
71: ANHUI UNIVERSITY OF SCIENCE AND TECHNOLOGY

72: LUAN, Zhenhui, ZHANG, Liming, CHEN, Tao, CHEN, Jun

54: TENSION ADJUSTING BOLT

00: -

The present invention discloses a tension adjusting bolt. The tension adjusting bolt includes an upper bolt and a lower bolt, and further includes a casing located between the upper bolt and the lower bolt. A locking bolt is fixedly connected to one end of each of the upper bolt and the lower bolt opposite to the casing, one end of the locking bolt passes through the casing and is located inside the casing, a locking nut and a connecting block are connected onto the locking bolts at two sides of the casing through screw threads, the locking nut is located between the connecting block and the casing, an end surface of the locking nut is provided with an accommodating groove, a rotating post is rotationally connected in the accommodating groove, a driving toothed plate is fixedly connected onto a circumferential outer side wall of the rotating posts, a through hole is formed in the connecting block, and an active toothed plate meshed with the driving toothed plate is fixedly connected onto an inner side wall of the through hole. Before a distance between the upper bolt and the lower bolt being adjusted, thin ice around the locking bolts is convenient to clear, and convenience is brought to operations by workers.



2, Prevotella; microbial marker 3, Ureaplasma; microbial marker 4, Gardnerella and microbial marker 5, Pelomonas. The microbial marker of the invention can be used for predicting the risk of cervical cancer as an assistant diagnosis, guiding the adjustment of vaginal microbial environment and reducing the risk of cervical cancer.

21: 2021/07849. 22: 2021/10/15. 43: 2021/12/02
51: C23C

71: ANHUI UNIVERSITY OF SCIENCE AND TECHNOLOGY

72: TANG, Qiong, CHEN, Jun, CHEN, Tao

54: HIGH-STRENGTH COLD ROLLED STEEL SHEET STAMPING PART

00: -

The present invention relates to a high-strength cold rolled steel sheet stamping part including a support plate, a first connecting assembly, a second connecting assembly and a positioning screw bolt, wherein stamping square holes are symmetrically formed in one end of the support plate, the other end of the support plate is provided with an installing hole, a connecting round hole is formed inside the support plate and is located in a gap position of the two stamping square holes, the first connecting assembly and the second connecting assembly are respectively disposed at two side surfaces of one end of the two stamping square holes, the first connecting assembly and the second connecting assembly are connected and fixed through the positioning screw bolt, and the first connecting assembly and the second connecting assembly are two components with completely identical structures. According to the present invention, wiring harnesses are subjected to multi-area fixation in a primary and secondary combination manner, the stability and firmness during wiring harness fixation are effectively improved. At the same time, the fixation manner can be applicable to the fixation of a plurality of wiring harnesses, a fixing manner is unified, and the installation operation by an operator is convenient.

21: 2021/07848. 22: 2021/10/15. 43: 2021/12/02
51: A61L; C12Q

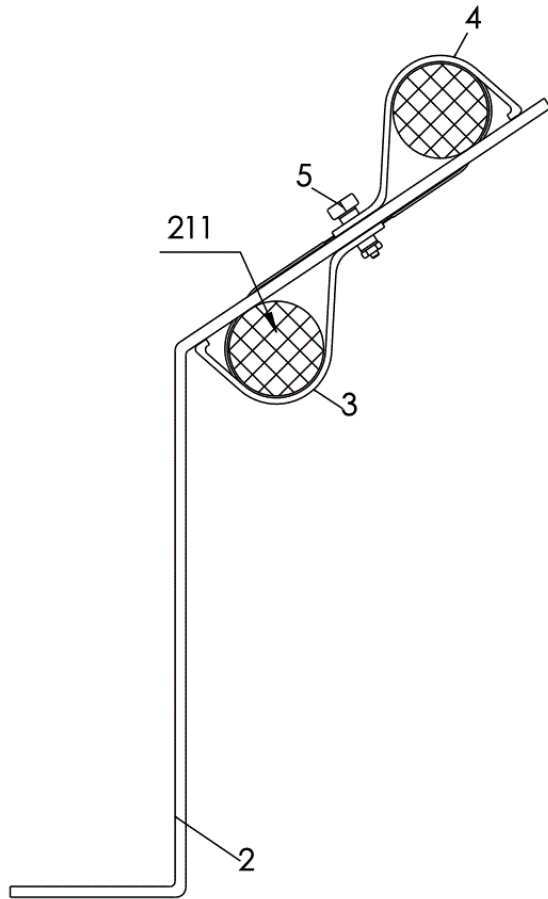
71: The Affiliated Wuxi Maternity and Child Health Care Hospital of Nanjing Medical University

72: Chen Yu, Xu Feng, Chen Jiale, Lu Mudan, Chen Daozhen, Xu Hanjie, Yang Rui, Song Yuexiao

54: VAGINAL MICROBIAL MARKER FOR EVALUATING CERVICAL CANCER RISK AND APPLICATION THEREOF

00: -

The invention discloses a vaginal microbial marker for evaluating the risk of cervical cancer and an application thereof, belonging to the technical field of biomedicine. The vaginal microbial marker is used for providing relative abundance information and comprises one or more selected from the following: microbial marker 1, Lactobacillus; microbial marker



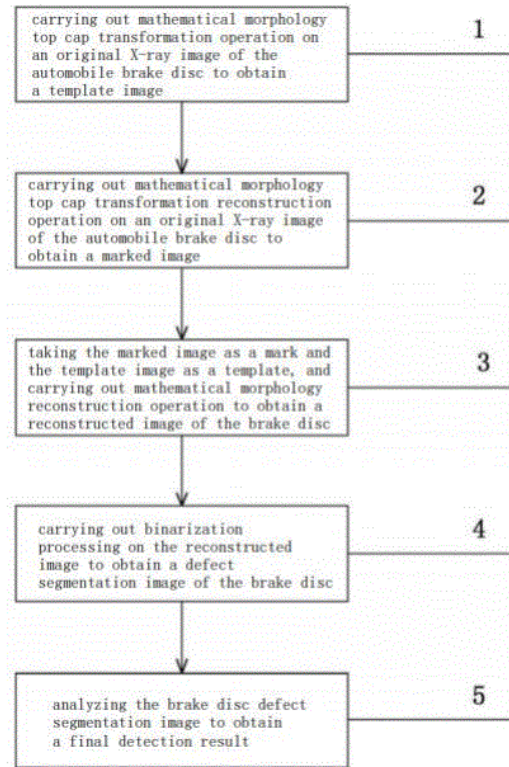
21: 2021/07850. 22: 2021/10/15. 43: 2021/12/02
51: G06T

71: Taiyuan Institute of Technology
72: ZHANG, Junsheng, HE, Yingfeng, ZHANG, Xiaojuan, GUO, Caiping

54: METHOD FOR DETECTING INTERNAL DEFECTS OF AUTOMOBILE BRAKE DISC

00: -
The invention discloses a method for detecting internal defects of an automobile brake disc, which belongs to the technical field of X-ray nondestructive inspection. The method comprises carrying out mathematical morphology top cap transformation operation on an original X-ray image of the automobile brake disc to obtain a template image; carrying out mathematical morphology top cap transformation reconstruction operation on an original X-ray image of the automobile brake disc to obtain a marked image; taking the marked image as a mark and the template image as a template, and carrying out mathematical morphology reconstruction operation to obtain a reconstructed image of the brake disc; carrying out binarization

processing on the reconstructed image to obtain a defect segmentation image of the brake disc; and analyzing the brake disc defect segmentation image to obtain a final detection result and fishing the detection.



21: 2021/07851. 22: 2021/10/15. 43: 2021/12/02
51: B23Q

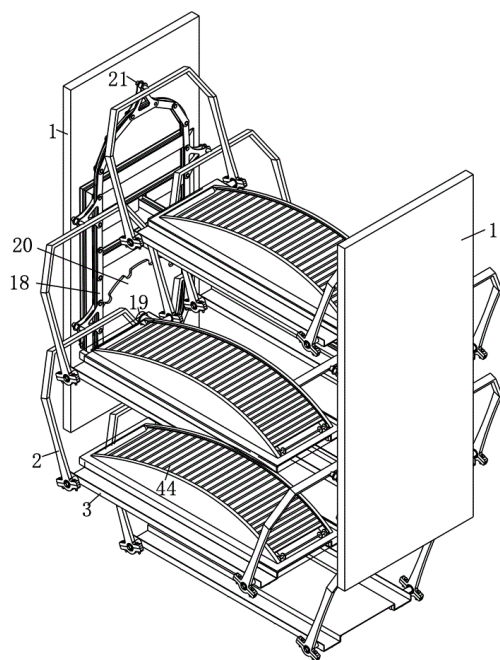
71: ANHUI UNIVERSITY OF SCIENCE AND TECHNOLOGY

72: LI, Yihua, ZHU, Ronghai, YU, Zuyu, ZHANG, Yukuan

54: CHAIN TYPE TOOL MAGAZINE OF NUMERICAL CONTROL MACHINING CENTER

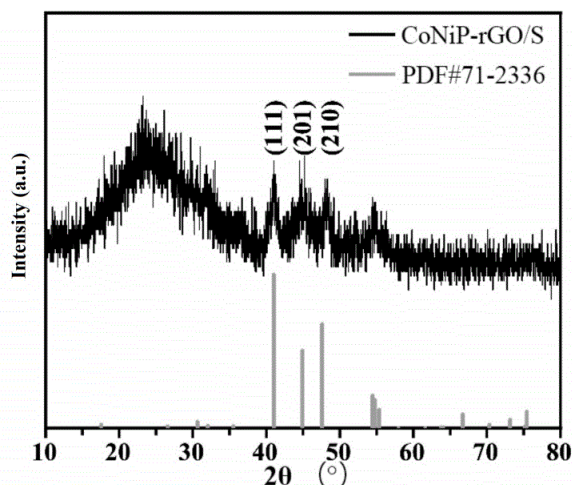
00: -
The present invention discloses a chain type tool magazine of a numerical control machining center, including symmetrically disposed side plates, wherein installing frames are rotationally connected between the side plates, and an object carrying plate is rotationally connected onto each of the installing frames; a first chain is in transmission connection on the object carrying plate, installing boxes are fixedly connected onto the first chain, a moving plate is telescopically connected into each of the installing boxes, lower surfaces of the moving plates are fixedly connected with a material carrying plate, a

lower surface of the material carrying plate is movably connected with clamping blocks, and first heat radiation holes are formed in the material carrying plate; an upper surface of the object carrying plate is provided with accommodating grooves, a phase change plate is placed in each of the accommodating grooves, the phase change plate is provided with a clamping groove fit with the clamping blocks, the phase change plate is provided with second heat radiation holes, and a vertical rod is vertically and fixedly connected into the accommodating groove. The present invention is convenient to adjust to achieve a heat radiation effect during tool clamping, so that positions of the phase change plates can be conveniently adjusted, and the heat radiation efficiency is improved.



21: 2021/07852. 22: 2021/10/15. 43: 2021/12/02
 51: H01M
 71: Qilu University of Technology
 72: REN, Manman, XIAO, Tingjiao, YI, Fengjin, LIU, Weiliang, YANG, Mingzhi
54: CONIP-RGO/S COMPOSITE LITHIUM-SULFUR BATTERY CATHODE MATERIAL AND PREPARATION METHOD THEREOF
 00: -
 The disclosure describes a CoNiP-rGO/S composite cathode material for a lithium-sulfur battery and a preparation method thereof, the material comprising CoNiP quantum dots which are attached on the rGO

sheet and S supported on CoNiP-rGO. The method comprises preparing and annealing a precursor with cobalt and nickel attached on the graphene sheet; further annealing the precursor to obtain CoNiP-rGO; and obtaining a CoNiP-rGO/S composite material. CoNiP quantum dots can not only act as a catalyst to promote the redox reaction of polysulfides, but also have an efficient chemical adsorption capacity for polysulfide. rGO as a three-dimensional highly conductive network can not only achieve fast and efficient lithium ion and electron transmission and improve the sulfur utilization rate, but also accelerate the oxidation-reduction reaction. This material is expected to be a new host material that can be used in lithium-sulfur battery cathodes with adsorption capacity, catalytic action and high conductivity.



21: 2021/07853. 22: 2021/10/15. 43: 2021/12/02
 51: C07C; A61P
 71: Qingdao University
 72: ZHANG, Zhongyin, LV, Mengqi, WANG, Kewei, WANG, Congcong, WU, Han, WANG, Junxia, SUN, Xiaoying
 33: CN 31: 202011520551.2 32: 2020-12-21
54: TRPV3 INHIBITOR AND PREPARATION METHOD THEREOF

00: -
 The present disclosure provides a transient receptor potential V3 (TRPV3) inhibitor formed by successively ligating an R1 group, an R group and an R2 group, with a general molecular formula shown in formula 1. The present disclosure further provides a preparation method and use of the TRPV3 inhibitor. In the present disclosure, the

TRPV3 inhibitor can specifically inhibit TRPV3 ion channels, and has a great scientific research and clinical value.

21: 2021/07859. 22: 2021/10/15. 43: 2021/12/02

51: B29C; B60G; F16F

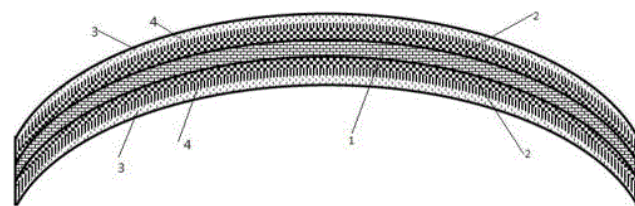
71: Tiangong University

72: Cao Weiwei, Zhang Min, Wang Yongwei, Yuan Xiaomin, Liu Yulan, Zhu Bo

54: INTERLAYER REINFORCED TWO-DIMENSIONAL/THREE-DIMENSIONAL BRAIDED COMPOSITE AUTOMOBILE LEAF SPRING AND PREPARATION METHOD THEREOF

00: -

The invention discloses an interlayer reinforced two-dimensional/three-dimensional braided composite automobile leaf spring and a preparation method thereof. Single-layer fabrics with different fiber materials are formed by three-dimensional braided, which can design specific fiber materials and single-layers of three-dimensional braided structure for specific parts with higher requirements on stiffness or strength. Finally, the laminated single-layer structure is integrated by longitudinal stitching between layers. At last, the fabric with two-dimensional/three-dimensional composite structure and resin are repeatedly impregnated and compounded with resin vacuum transfer molding, and a new composite automobile leaf spring with high strength, high rigidity, small deformation, high fatigue strength, long service life and strong adaptability in high and low temperature environment is prepared by gradient heating and curing. The novel material and structure adopted by the leaf spring can meet the use requirements of vehicles with different load capacities, especially large load capacities, and effectively avoid the interlayer damage problem caused by the low fatigue load intensity of the traditional two-dimensional laminated composite leaf spring.



21: 2021/07860. 22: 2021/10/15. 43: 2021/12/02

51: A61N

71: Tropical Crops Genetic Resources Institute, Chinese Academy of Tropical Agricultural Sciences (CATAS), Hainan University

72: Shi Liguang, Xun Wenjuan, Cao Ting

54: METHOD FOR COLLECTING SEMEN IN RAMS BY ELECTRICAL STIMULATION

00: -

The invention discloses a method for collecting semen in rams by electrical stimulation, belonging to the technical field of livestock and poultry breeding. The method for collecting semen in rams by electrical stimulation comprises the following specific steps: 1. fixation of rams; 2. cutting hair around the penis; 3. wiping the penis and testicle of rams with potassium permanganate solution and normal saline in turn; 4. leading out the penis head of the rams from the prepuce with artificial assistance and wounding and fixing with a wet sterile gauze strip; 5. performing rectal probe stimulation and massage by using an electrical stimulation sperm collector; and 6. collecting semen. The method for collecting semen by electrical stimulation is simple, rapid and repeatable in operation, and can be used for successfully collecting semen from grazing or house feeding rams with high breeding value, wild rams which are difficult to approach, rams without ability to crawl or reserve young rams. The semen obtained by the method can be used for artificial insemination, semen cryopreservation, reproductive physiology research, descendant determination, imported and exported living body inspection and quarantine, etc., and there is no need for anesthesia of rams, so that the influence on breeding rams can be minimized.

21: 2021/07861. 22: 2021/10/15. 43: 2021/12/02

51: A01B

71: Institute of Agricultural Machinery of Chinese Academy of Tropical Agricultural Sciences, LiuZhou Institute of Technology

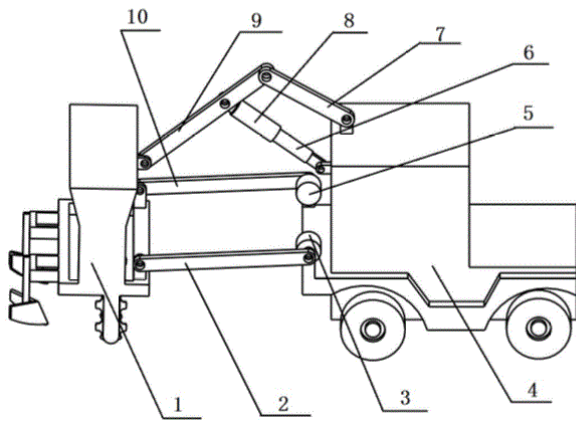
72: Lijiao Wei, Yueqin Huang, Chang Ge, Yuyin Lou, Zhaojun Niu, Ming Li, Weihua Huang, Yuan Zhang, Jian Liu

54: SUBSOILER FOR DEEP-ROOTED CROPS

00: -

The invention makes a novel subsoiler public; the subsoiler has the first linkage, whose one side is connected to the subsoiler by a revolute, and the other side of the first linkage is connected to the travelling mechanism by a revolute; the fourth linkage is situated over the first linkage, and one

side of the fourth linkage is connected to the subsoiler by a revolute, and the other side of the fourth linkage is connected to the travelling mechanism by a revolute; one side of a piston rod is connected to the travelling mechanism by a revolute, and the other side of the piston rod is connected to the first hydraulic cylinder by a sliding pair; in the subsoiler, the first motor, the second motor, the first piston rod and the first hydraulic cylinder constitute the control mechanism, realizing the action of deep tillage; the subsoiler realizes the action of deep excavation, and it overcomes the difficulties of controlling the depth of soil excavation and the angle of the traditional subsoilers because of their single degree of freedom.

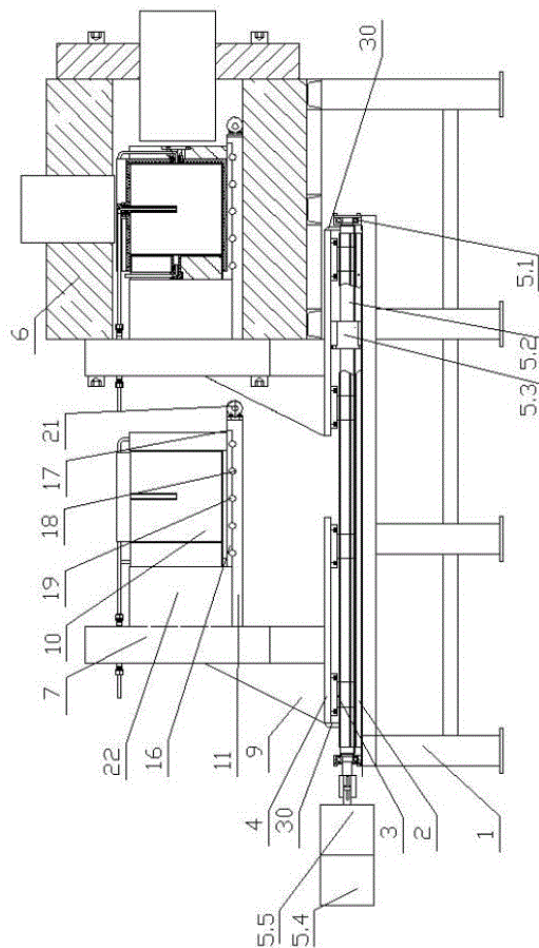


21: 2021/07862. 22: 2021/10/15. 43: 2021/12/02
 51: G01N
 71: Institute of Hydrogeology and Environmental Geology, Chinese Academy of Geological Sciences, Hebei Aijiayuan Geothermal Energy Technology CO. LTD, Jiangsu Huan Scientific Research Instrument CO. LTD
 72: Guiling Wang, Yanguang Liu, Wei Zhang, Chaowei Zheng, Haijing Dai

54: BEARING AND SAMPLE LOADING MECHANISM FOR ROCK TRIAXIAL LOADING MODEL

00: -
 The invention provides a bearing and sample loading mechanism for rock triaxial loading model and relates to the field of rock test equipment, which comprises a frame, wherein the frame is provided with a transversely arranged guide rail and a movable plate which is slidably arranged on the guide rail; one end of the frame is provided with a model, and one end of the model is an opening; the

movable plate is provided with a sealing cover for matching with the open end of the model; the sealing cover is connected to a horizontally arranged bearing plate for placing rock specimens. The driving mechanism is used for driving the movable plate forward along the guide rail and driving the rock specimens on the bearing plate to be transported into the model along the open end of the model; meanwhile, the sealing cover is sealed on the open end of the model, and bolt holes for fixing the model are arranged in the circumferential direction of the sealing cover. According to the invention, the sealing cover body is fixed on the movable plate, using the driving mechanism to realize the linear movement of the movable plate, so that the sealing cover body can move, and the operation is simple and labor-saving, and the sealing cover body moves stably and is safe to assemble and disassemble.



21: 2021/07865. 22: 2021/10/15. 43: 2021/10/21

51: A47B

71: CHINA ARCHITECTURE DESIGN & RESEARCH GROUP CO., LTD.

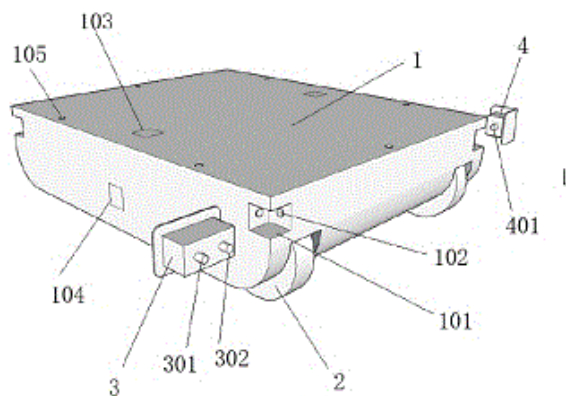
72: LIU, LIU, WANG, YU, YU, YANG, SHANG, TINGTING, MA, ZHEXUE, WANG, YIRAN, HE, CHEN, SU, JINHAO, WANG, YUE, JIN, YANG

33: CN 31: 202110282590.1 32: 2021-03-16

54: MODULAR MOVABLE FURNITURE AND DISPLACEMENT METHOD THEREOF

00: -

The present disclosure relates to modular movable furniture and displacement method thereof, belonging to the field of household furniture, and solves the problems that the furniture shape needs to be changed and the furniture needs to be quickly moved when the storage capacity of the furniture needs to be changed and residents change the living residence in the prior art. The modular movable furniture of the present disclosure includes a baseplate and boxes, wherein the boxes are fixed on the baseplate, forming the modular movable furniture of the present disclosure. The baseplate can include one or more bases, and the boxes are fixedly connected with the bases; the bottom of the bases are provided with rolling wheels for realizing the rapid movement of the furniture; brake assemblies capable of locking and unlocking the rolling wheels are equipped inside the bases to realize state switching between free movement and stable placement of furniture; the boxes are used for accommodating the clothing, and the boxes can have different structure combination to satisfy different storage demands.



21: 2021/07867. 22: 2021/10/15. 43: 2021/12/02
51: A61K

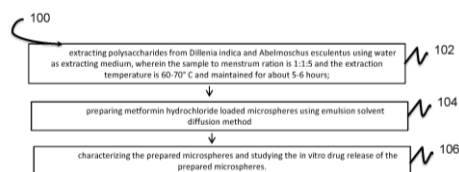
71: SHARMA, Hemanta Kumar, LAHKAR, Sunita, NATH, Lila Kanta

72: SHARMA, Hemanta Kumar, LAHKAR, Sunita, NATH, Lila Kanta

54: A METHOD FOR DEVELOPING AND EVALUATING METFORMIN HYDROCHLORIDE LOADED MICROSPHERES

00: -

The present disclosure relates to a method for developing and evaluating metformin hydrochloride loaded microspheres. The method comprises: extracting polysaccharides from *Dillenia indica* and *Abelmoschus esculentus*; preparing metformin hydrochloride loaded microspheres; and characterizing the prepared microspheres and studying the in vitro drug release of the prepared microspheres. The prepared microspheres are prepared using solvent diffusion technique with different proportions of the natural material. The prepared microspheres are evaluated for various characterizations and in vitro drug release study. The fabricated metformin hydrochloride loaded microspheres showed mucoadhesive properties and a controlled release of metformin hydrochloride. The present disclosure reveals the use of natural products in the formulation of controlled release microspheres for providing future opportunities in further studies.



21: 2021/07868. 22: 2021/10/15. 43: 2021/12/02

51: G06F

71: QINGDAO UNIVERSITY

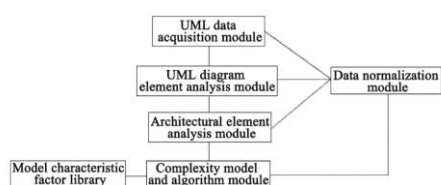
72: LI, Jinhua

54: A METHOD FOR MEASURING A SOFTWARE ARCHITECTURAL COMPLEXITY BASED ON UML

00: -

Disclosed is a method for measuring a software architectural complexity based on UML. The method includes a UML data acquisition module, a UML diagram element analysis module, a data normalization module, an architectural element analysis module, a complexity model and algorithm module, and a model characteristic factor library. The model characteristic factor library is connected

to the complexity model and algorithm module. The complexity model and algorithm module is connected to the architectural element analysis module. The architectural element analysis module is connected to the UML diagram element analysis module. The UML diagram element analysis module is connected to the UML data acquisition module. The UML data acquisition module, the UML diagram element analysis module, the architectural element analysis module and the complexity model and algorithm module are respectively connected to the data normalization module.



21: 2021/07869. 22: 2021/10/15. 43: 2021/12/02
51: G08B

71: SHUKLA, Prashant Kumar, SHUKLA, Piyush Kumar, JOSHI, Shubham, RAWAT, Paresh, MAHESHWARI, Manish, STALIN, Shalini

72: SHUKLA, Prashant Kumar, SHUKLA, Piyush Kumar, JOSHI, Shubham, RAWAT, Paresh, MAHESHWARI, Manish, STALIN, Shalini

54: AN IOT AND SENSOR BASED CHILD FENCING SYSTEM

00: -

The present invention relates to a sensor-based child fencing system. The system senses the real-time sensory data of the children through various sensors and generates an alert to the parent upon detection of abnormal sensory data. The system establishes node communication between the children node and the parent node through a Wi-Fi router. The system establishes in-direct communication when the children node and the parent node are at home with access to Wi-Fi router and generate alert.

21: 2021/07896. 22: 2021/10/18. 43: 2021/12/01
51: A01C

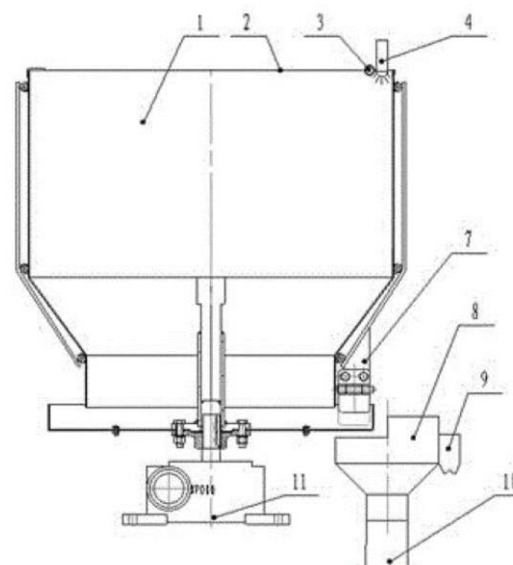
71: Institute of Agricultural Machinery of Chinese Academy of Tropical Agricultural Sciences, Guangxi Guigang Xijiang Machinery Co., Ltd

72: Weihua Huang, Lijiao Wei, Rihua Li, Ming Li, Chang Ge, Zhaojun Niu, Ronggang Qin, Yuan Zhang, Jian Liu

54: DETECTION MECHANISM FOR DETECTING FERTILIZATION CONTINUITY

00: -

The invention discloses a detection mechanism for detecting fertilization continuity, which comprises a fertilizer box, a fertilizer box cover and a box cover hinge. The detection mechanism is connected to a gearbox below, and is also provided with a fertilizer scraper. A fertilizer hopper is arranged at the lower right of the detection mechanism, and a material guide pipe is connected outside the fertilizer hopper. The gearbox can drive the fertilizer scraper to rotate to scrape the fertilizer in the fertilizer box to the fertilizer hopper, and the fertilizer applies fertilizer to crops through the material guide pipe. The fertilizer hopper is also provided with a video monitoring head, and the detection mechanism also comprises a display screen which is provided with a wireless video signal receiver. The video monitoring head feeds back the concrete situation of fertilizer applied to crops from the material guide pipe to the display screen through a wireless video signal receiver on the display screen. The invention provides a set of simple, low-cost and practical detection mechanism designed on the traditional fertilization device.



21: 2021/07898. 22: 2021/10/18. 43: 2021/12/01
51: G06Q

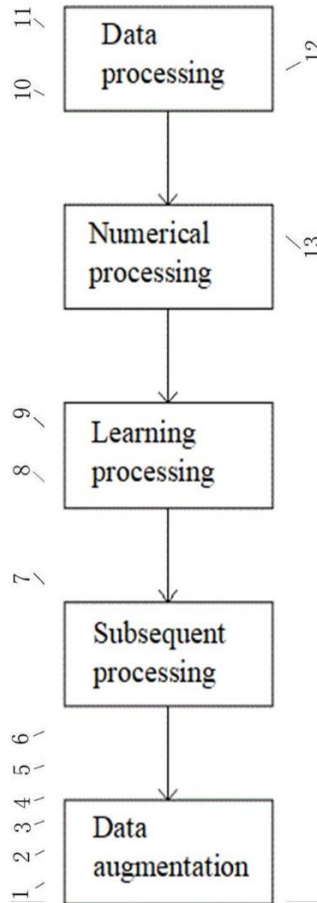
71: Guangdong Polytechnic Normal University

72: Liu Lan, Huang ZhiHao, Wu YaFeng, Yu YongJie, Wu WenHuang, Zhong KeWei, He KangJian

54: LOG DATA AUGMENTATION METHOD BASED ON CONTRASTIVE LEARNING

00: -

The present invention proposes a log data augmentation method based on Contrastive Learning, which includes five steps of data processing, numerical processing, learning processing, subsequent processing and data augmentation. Through the structured processing of irregular logs, structured log data is generated, and then the structured log data is vectorized to generate vectorized numerical log data. And using the Contrastive Learning method to evenly project the data onto the spherical space, to aggregate the same kind of data in space as much as possible, and the different types of data to be as far apart as possible in space, so as to realize the classification of the data. Then extract the vector data of each category in the comparison model, and set these vector data as the base vector, randomly extract several pieces of log data in a period of time, add random perturbation to the base vector, and replace the log data of the corresponding category to achieve data augmentation. It can greatly optimize the accuracy of classification and solve the problem of data imbalance in the real-time log generation environment.



21: 2021/07899. 22: 2021/10/18. 43: 2021/12/01
51: B43K

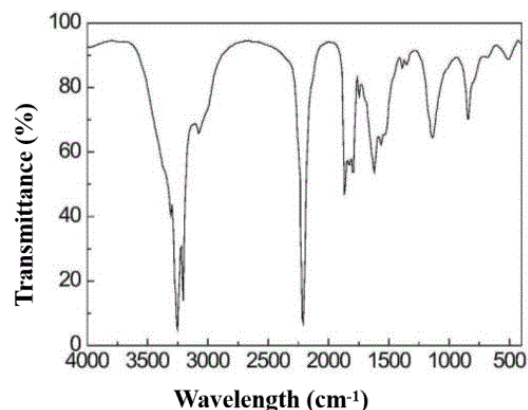
71: Linyi University

72: ZHANG, Dengbo, ZHANG, Danhui, LIANG, Ruquan, SHI, Jianhui, YANG, Liu, SONG, Yuanmei, XU, Bowen, YANG, Yueting

54: MECHANICAL PENCIL WITH FUNCTION OF MAKING PENCIL LEAD EVENLY WRITING

00: -

A mechanical pencil with the function of making a pencil lead evenly writing is disclosed by the disclosure and comprises a pencil tip, a pencil head, a pencil body, a pencil lead cylinder, a lead-out mechanism and a rotating mechanism; and the pencil tip is arranged at the bottom end of the pencil head, the pencil head is arranged at the bottom end of the pencil body, the pencil lead cylinder is arranged inside the pencil body, the lead-out mechanism is arranged in the pencil body and located at the bottom of the pencil lead cylinder, and the rotating mechanism is arranged between the pencil body and the pencil lead cylinder.



21: 2021/07900. 22: 2021/10/18. 43: 2021/12/01
51: A23L; A61K; C07C; A61P

71: Shanxi kairuisen Biotechnology Co., Ltd.
72: LIU, Kangkai, LIU, Yangyue, LI, Lei, YANG, Qian, RUAN, Yuanyuan

54: POLYUNSATURATED FATTY ACID CALCIUM-ZINC-FERRITE-MAGNESIUM COMPOSITE FORMULATION AND PREPARATION METHOD AND APPLICATION THEREOF

00: -
The present disclosure discloses a polyunsaturated fatty acid calcium-zinc-ferrite-magnesium composite formulation and a preparation method and an application thereof. The preparation method of the present disclosure has good reaction activity and high yield.

21: 2021/07901. 22: 2021/10/18. 43: 2021/12/01
51: G01T

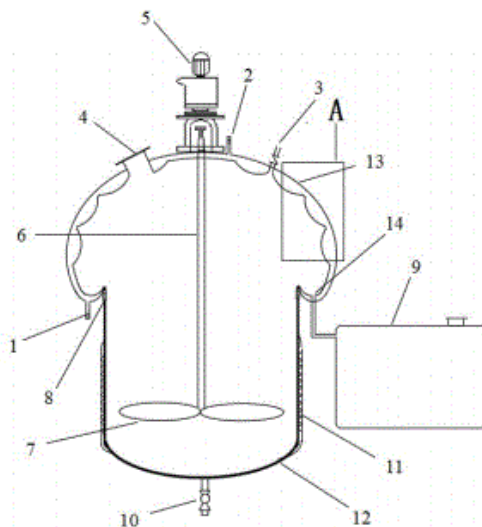
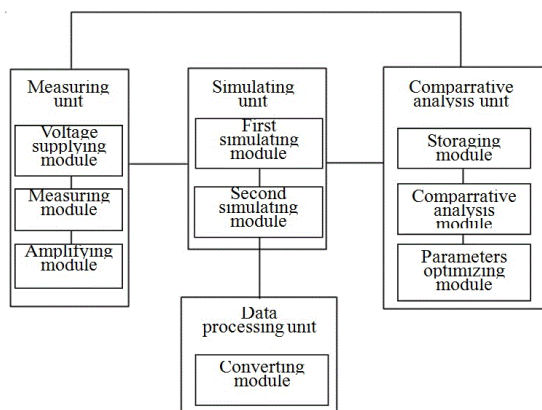
71: Inner Mongolia Minzu University, Inner Mongolia Autonomous Region Nuclear and Radiation Monitoring Center

72: Zhang Suyalatu, Li Xin, Jia Tao, Bai Liga, Wang Dexin, Huang Meirong

54: RADIATION DOSE RATE MEASURING SYSTEM BASED ON A HIGH-PURITY GERMANIUM DETECTOR

00: -
The invention discloses a radiation dose rate measuring system based on a high-purity germanium detector, which comprises a measuring unit, a simulating unit, a comparative analysis unit and a data processing unit; the measuring unit is used for performing an energy spectrum measurement experiment on the energy spectrum of the radiation source to obtain the real energy spectrum of the radiation source; the simulating unit is used for performing Monte Carlo simulation on the energy spectrum measurement experiment to obtain the simulated energy spectrum of the radiation source, and the simulating unit also simulates the radiation source under different energies based on the parameter optimized Monte Carlo simulation experiment to obtain the continuous energy spectrum of the radiation source; the comparative analysis unit is used to compare and analyze the real energy spectrum and the simulated energy spectrum, and optimize the parameters of Monte Carlo simulation experiment; the data processing unit is used for performing energy spectrum dose conversion according to the continuous energy spectrum, and obtaining the radiation dose rate based on the energy spectrum dose conversion.

According to the invention, the energy spectrum-dose conversion function can be accurately obtained by measuring the energy spectrum of the radiation source in combination with Monte Carlo simulation technology, and then the radiation dose rate can be obtained.



21: 2021/07902. 22: 2021/10/18. 43: 2021/12/01

51: B01D; B01J

71: Linyi University

72: SONG, Yuanmei, ZHANG, Dengbo, YANG, Liu, ZHANG, Danhui, SHI, Jianhui, LIANG, Ruquan

54: IN-SITU CONCENTRATION REACTION KETTLE

00: -

Disclosed is an in-situ concentration reaction kettle, and relates to the technical field of liquid concentration. The in-situ concentration reaction kettle comprises a kettle body, a kettle cover and a heating device, wherein the kettle body is provided with a cavity with an opening, the cavity is used for accommodating reaction liquid, and the opening is covered with the kettle cover; the heating device is used for heating the reaction liquid in the cavity; and the inner wall of the kettle cover is a condensing surface, a liquid collecting tank is formed in the lower portion of the inner wall of the kettle cover, and liquid drops condensed on the condensing surface flow into the liquid collecting tank along the condensing surface under the action of gravity. According to the reaction kettle provided by the present disclosure, the reaction liquid can be directly concentrated in the reaction kettle.

21: 2021/07903. 22: 2021/10/18. 43: 2021/12/01

51: F03B

71: QINGDAO UNIVERSITY OF TECHNOLOGY

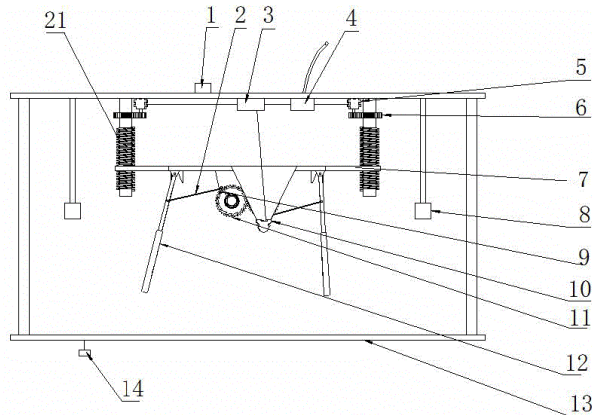
72: LIU, Qingyu, NI, Tingting, YANG, Fazhan, SUN, Shufeng

54: MARINE WATER QUALITY MONITORING PLATFORM WITH SELF-GENERATING ELECTRICITY AND MONITORING TECHNOLOGY POWERED BY SELF-GENERATING ELECTRICITY

00: -

This invention discloses marine water quality monitoring platform with self-generating electricity and monitoring technology powered by self-generating electricity, wherein, self-generating system comprises fixing frame, the first baffle, the first connecting rod, the first pawl, the first ratchet, the first big gear wheel, pinion and generator. The fixing frame is installed on the monitoring platform, the first baffle is hinged with the fixing frame, one end of the first connecting rod is hinged with the first baffle, and the other end is connected with the first pawl. The first pawl is matched with the first ratchet, the first ratchet is coaxially arranged with the first big gear wheel, the first big gear wheel is meshed with the pinion, and the pinion is connected with the input end of the generator. The water quality monitoring sensor is arranged on the monitoring platform and connected with the output end of the generator. The water quality monitoring sensor can be directly supplied with power supplied by generator that is driven by sea wave, which can avoid the tedious ways of land transmission or battery replacement,

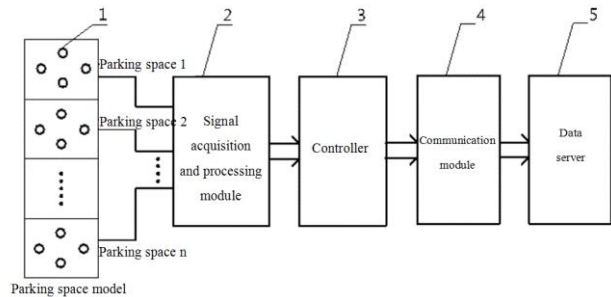
thus making the water quality monitoring system more concise and convenient.



21: 2021/07904. 22: 2021/10/18. 43: 2021/12/01
51: G08G
71: Shandong Jianzhu University
72: Liu Zhendong, Liu Fanghan, Yang Yurong, Li Dongyan, Chen Xi, Lyu Xinrong, Li Xiaofeng, Qin Mengying, Bai Ke, He Zhiqiang
54: PARKING GUIDANCE AND CONTROL SYSTEM BASED ON PARKING SPACE INFORMATION

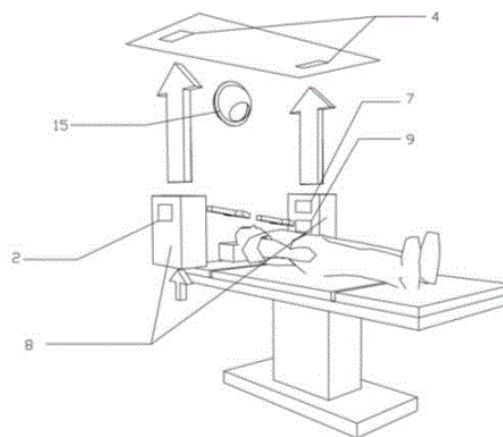
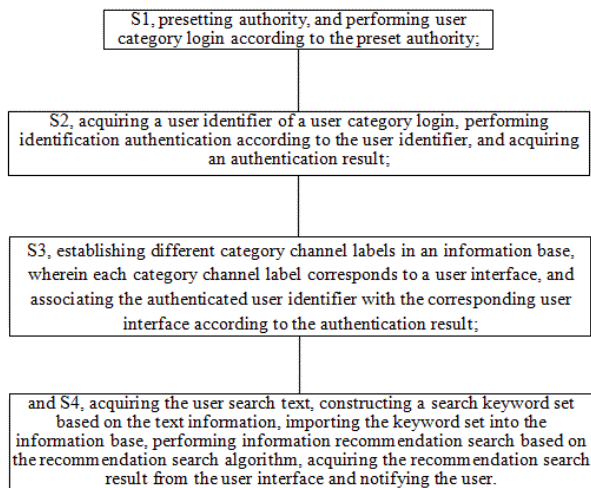
00: -
A parking guidance and control system based on parking space information comprises diffuse reflectance infrared detection sensor, signal acquisition and processing module, controller, communication module and data server. The diffuse reflectance infrared detection sensor comprises a illuminant and a light receiver which are respectively connected to the signal acquisition and processing module; the signal acquisition and processing module is connected with a controller, and the controller is connected with a data server through a communication module; diffuse reflection infrared detection sensors are arranged at four different positions of parking space, and illuminant emit light upwards; the controller judges the parking space status according to the switch status of the four diffuse reflectance infrared detection sensors collected by the signal collection and processing module, and uploads the collected parking space status data to the data server through the communication module; the data server transmits the parking space status to the user terminal to guide the driver to park the vehicle standardly. The system realizes the real-time detection of whether

the motor vehicle is parked standardly with fast detection speed, high accuracy and stable performance.



21: 2021/07905. 22: 2021/10/18. 43: 2021/12/01
51: G06K; G06Q
71: Shandong University, Shandong University-Weihai Research Institute of Industrial Technology
72: Cai, Xun, Singh, Deepak Kumar, Tyagi, Kanishka, Li, Yunfei, Zhu, Bo, Suman, Amrit, Zhang, Deliang, Gao, Yanbo, Li, Shuai, Margasahayam Subrahmanyam, Raghavendra Sriram
54: BUSINESS TRANSACTION INFORMATION ASSOCIATION PROCESSING METHOD, PLATFORM AND PROCESSING SYSTEM

00: -
The invention relates to a method, a platform and a processing system for business transaction information association processing. The invention carries out user category login according to the preset authority through the preset authority; acquiring a user identifier of a user category login, performing identification authentication according to the user identifier, and acquiring an authentication result; establishing different category channel labels in an information base, wherein each category channel label corresponds to a user interface, and associating the authenticated user identifier with the corresponding user interface according to the authentication result; acquiring a user search text, constructing a search keyword set based on text information, importing the keyword set into the information base, performing information recommendation search based on a recommendation search algorithm, acquiring a recommendation search result from the user interface and notifying the user. According to different types of users, platform information can be consulted, and this kind of product interest information can be used for purchase.



21: 2021/07906. 22: 2021/10/18. 43: 2021/12/01
 51: F24F
 71: TIANJIN CHENGJIAN UNIVERSITY, Xi'an University of Architecture and Technology
 72: YANG, Bin, YANG, Pengfei, PAN, Bing'an, XU, Shuaixing, JIN, Dacheng, ZHOU, Bin, SU, Wei, LIU, Pengju, LI, Angui

54: AIR CURTAIN SYSTEM FOR WARD VENTILATION AND USE METHOD THEREOF

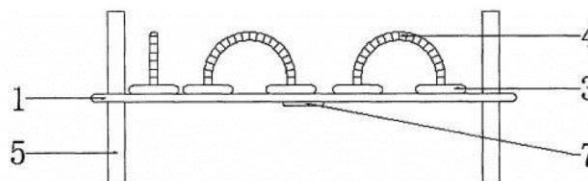
00: -
 The invention discloses an air curtain system for ward ventilation and use method thereof, which comprise air distribution boxes, a room air return and an independent exhaust hood which are oppositely arranged on two sides of a sickbed, the air sent by the air curtain air inlet enters an independent air exhaust hood or a room air return, the ventilation air curtain system provided by the invention purifies air around a patient in a targeted manner, improves the air quality of a breathing area of the patient, avoids mutual infection between the patient and medical personnel, and can be mainly applied to respiratory infectious disease wards in hospitals.

21: 2021/07907. 22: 2021/10/18. 43: 2021/12/01
 51: A61D

71: Qingdao Agricultural University
 72: Tong Zhimin, Yan Weilan, Rong Lihong, Shang Shuqi, Wang Dongwei, Yu Yan, Liu Huimin

54: MINIATURE FIXING FRAME

00: -
 The invention discloses a miniature fixing frame, which relates to the field of veterinary instruments. When the miniature fixing frame is used, limbs and heads of small animals can be wound and tied by binding ropes, and then suction cups are adsorbed on a supporting plate, and the small animals are fixed on the supporting plate so that the small animals face a door plate. Then, the support column on the bottom surface of the support plate can be laid flat on the tabletop to treat the front of the small animal. The support column on the top surface of the support plate can also be laid flat on the table top, the lock catch can be opened, the door panel can be opened, and the back of the small animal can be treated through the yielding hole on the support plate, so that it is very convenient to use.



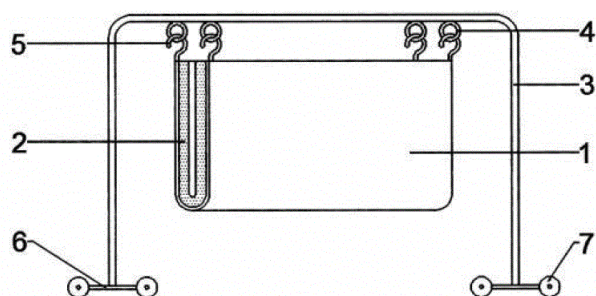
21: 2021/07908. 22: 2021/10/18. 43: 2021/12/01
 51: A61K

71: Qingdao Agricultural University
 72: Rong Lihong, Ni Hongbo, Shang Shuqi, Wang Dongwei, Li Juan, Xu Shusheng, Liu Huimin

54: LAMB THERMAL INSULATOR

00: -

This invention discloses a lamb thermal insulator, which relates to the field of animal husbandry equipment. When the lamb thermal insulator is in use, it can wrap the lamb with hanging cloth, so that the heat insulation pad is attached to the lamb's body for heat preservation. After the hanging cloth wraps the lamb, four hooks are respectively hung on four rings, thus lifting the lamb and preventing the lamb from running away from the hanging cloth. The user can feed the lambs hung in the hanging cloth, push the support frame, and easily transport the support frame and the lambs by rolling the rollers on the base, which is very flexible to operate.



21: 2021/07910. 22: 2021/10/18. 43: 2021/12/01
51: B01D

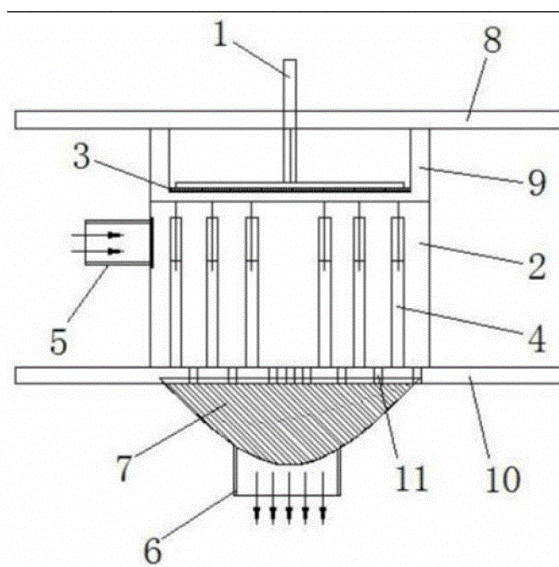
71: Yangzhou University

72: LI DAYU, HAN FEI, MIAO HONG, ZHANG YANJUN, ZHANG SHANWEN, LIU SIXING, TIAN MINGHAI

54: LOW TEMPERATURE PLASMA GENERATOR

00: -

A low temperature plasma generator, belonging to the technical field of organic waste gas purification equipment, it is structurally composed of composite high-voltage electrode, low-temperature plasma discharge phase area, quartz medium, low-voltage electrode, tail gas inlet port, exhaust port, SCR reaction catalytic cavity, upper insulation rack, high-voltage electrode mounting rack, bottom insulation rack and biofilm exhaust. According to the invention, the pollutants in the organic waste gas are degraded by the low-temperature plasma generator, and the CO, NOX and other small molecular intermediates are further treated by the catalytic reaction device, so that the pollutant degradation effect is more thorough, and especially the removal effect on low concentration and large air volume is obvious.



21: 2021/07924. 22: 2021/10/18. 43: 2021/12/01
51: C05G

71: WEIFANG UNIVERSITY

72: ZHAO, Sheng, CUI, Ying, BI, Junlai, JIANG, Xuelian, ZHAO, Yueling, LI, Mengjie

33: CN 31: 202111075316.3 32: 2021-09-14

54: FERMENTED BACTERIAL FERTILIZER AND PREPARATION METHOD AND APPLICATION THEREOF

00: -

The present invention relates to a fermented bacterial fertilizer and a preparation method and application thereof, and belongs to the technical field of bacterial fertilizers. The preparation method of the fermented bacterial fertilizer comprises the following steps: adding clear water to a fermentation tank and heating the fermentation tank; adding soybean flour for boiling; adding clear water again, and keeping the liquid temperature at 30 DEG C-40 DEG C; adding brown sugar, amino acid, a fermented functional bacteria solution and mineral fulvic acid; opening the lid for fermentation; and before application, adding trace elements, the fermented functional bacteria solution, potassium sulfate and potassium dihydrogen phosphate to obtain the fermented bacterial fertilizer. The present invention has the advantages of low cost and simple preparation procedure, and the fermented bacteria solution prepared at one time can meet the needs of large-scale planting.



21: 2021/07925. 22: 2021/10/18. 43: 2021/12/01
51: G16B

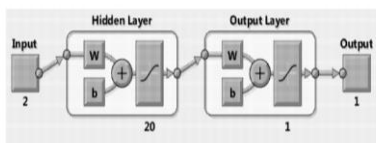
71: PRASHANTI, Gottapu, KUMAR, Gottapu Santosh

72: PRASHANTI, Gottapu, KUMAR, Gottapu Santosh

54: METHOD OF PREPARATION OF A SOLID INCLUSION COMPLEX USING ARTIFICIAL NEURAL NETWORKS

00: -

The present invention provides solid inclusion complex of Clopidogrel Bisulphate with enhanced dissolution, wherein dissolution is improved by employing a cyclodextrin and to enhance it further by adding hydrophilic polymers to the complex. The study of applicability of ANN in preparing solid inclusion complexes that have the property of enhancing dissolution rate of CBS. Further, the present invention provides a formulation of Clopidogrel Bisulphate involving Cyclodextrin (CD) complexation forming binary complexes and ternary complexes in the presence of hydrophilic polymers, with the objective of enhancing the aqueous solubility, dissolution rate and bioavailability of Clopidogrel Bisulphate. A trained two layered Levenberg-Marquardt ANN model was employed to predict the release profile and optimize the formulation composition based on the percentage of the drug released.



21: 2021/07926. 22: 2021/10/18. 43: 2021/12/01
51: H01M

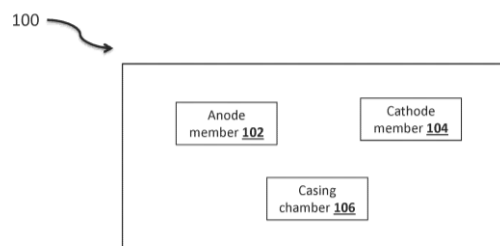
71: KHAN, Roohul Abad, MORABET, Rachida El, ALMESFER, Mohammed Khaloofa, SHAIK, Mohammad Irshad, KHAN, Amadur Rahman

72: KHAN, Roohul Abad, MORABET, Rachida El, ALMESFER, Mohammed Khaloofa, SHAIK, Mohammad Irshad, KHAN, Amadur Rahman

54: A SYSTEM AND METHOD FOR DEVELOPING A SEMI-METALLIC SALTWATER BATTERY

00: -

The present invention generally relates to a system for developing a semi-metallic saltwater battery. The system comprises an anode member from the selected group of magnesium, aluminium and zinc or their alloys. The system further comprises a cathode member at least including graphene, wherein the cathode and anode members are kept separate using spacers. Lastly, the system comprises a casing chamber for encasing the anode member and cathode member along with the electrolytes and spacers.



21: 2021/07927. 22: 2021/10/18. 43: 2021/12/01
51: A62B

71: DASH, Tusar Kanti, SAHOO, Prabodh Kumar, MISHRA, Satyasis, GOPIKRISHNA, Tiruveedula, RATHEE, Davinder Singh, KALLA, Harish, PANDA, Ganapati, GELMECHA, Demissie Jobir

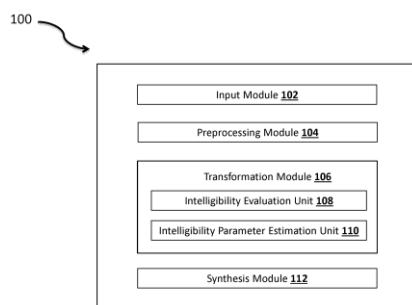
72: DASH, Tusar Kanti, SAHOO, Prabodh Kumar, MISHRA, Satyasis, GOPIKRISHNA, Tiruveedula, RATHEE, Davinder Singh, KALLA, Harish, PANDA, Ganapati, GELMECHA, Demissie Jobir

54: SPEECH INTELLIGIBILITY ENHANCEMENT SYSTEM FOR PERSONS USING COVID-19 PROTECTIVE FACE MASKS

00: -

The proposed invention essentially comprises the development of a speech intelligibility improvement system for persons using COVID-19 protective face masks. The first module of the system receives the input affected speech and preprocesses them by segmenting it into multiple frames. The next unit is a transformation module that performs intelligibility evaluation in terms of the intelligibility score. Further, an intelligibility parameter estimation unit has been proposed to compute its best possible value using particle swarm optimization. The final unit is a

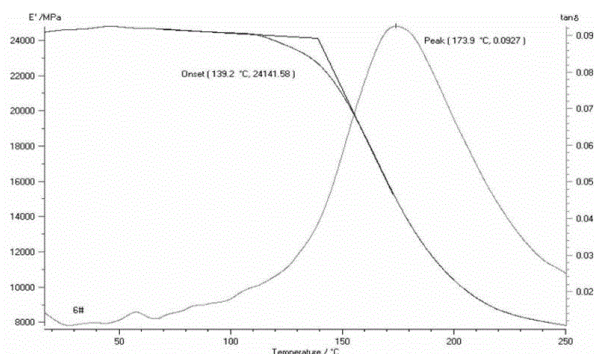
synthesis module that provides the required enhanced speech. The system has the provision to combat the speech intelligibility signal loss caused due to the use of the COVID-19 protective face mask. The intelligibility parameter helps in the correct interpretation and understanding of speech from the degraded input audio signal.



21: 2021/07929. 22: 2021/10/18. 43: 2021/12/01
 51: C08L; C09F
 71: Shandong University
 72: Zhu Bo, Qiao Kun, Di Chengrui, Wang Yongwei, Yu Junwei

54: EPOXY RESIN MODIFIED BY NANO FILLERS

00: -
 The invention relates to a nano-filler modified epoxy resin, which adopts nano-fillers, carries out surface treatment on the nano-fillers, modifies the epoxy resin after mixing, can passivate cracks after the epoxy resin is cured, improves the toughness of the epoxy resin and improves the glass transition temperature of the cured epoxy resin to a certain extent. It consists of nano fillers and epoxy resin, wherein the mass fraction ratio of nano fillers to epoxy resin is (0.5-20): 100.



21: 2021/07930. 22: 2021/10/18. 43: 2021/12/01
 51: C09J

71: Southwest Forestry University
 72: Wang Hui, Du Guanben, Lei Hong, Zhou Xiaojian

54: HIGH SOLID CONTENT UREA-FORMALDEHYDE RESIN AND PREPARATION METHOD THEREOF

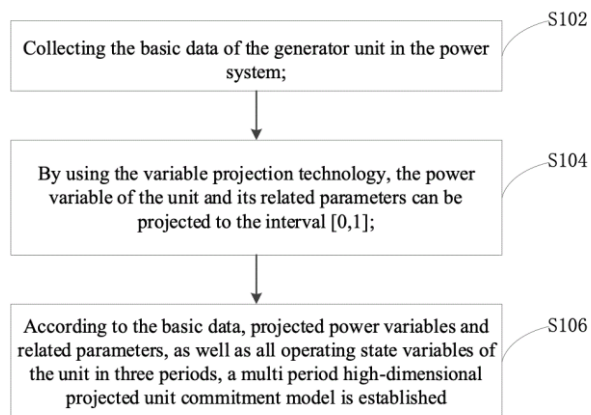
00: -
 The invention discloses a high-solid content urea-formaldehyde resin and a preparation method thereof, and belongs to the technical field of adhesive production. The high-solid content urea-formaldehyde resin raw materials include urea-formaldehyde pre-condensate liquid, urea, acid catalyst and alkaline catalyst; the present invention first synthesizes the urea-formaldehyde pre-condensation solution, and then adds urea in three times at the initial stage of the reaction, the middle stage of the reaction and the latter stage of the reaction, and the reaction obtains the urea-formaldehyde resin with high solid content; the operation process of the present invention is simple and easy to implement, the synthesized resin has a relatively high solid content and excellent performance. When it is used to prepare wood-based panels with high solid content requirements, it does not need to be dehydrated, thereby avoiding dehydration energy consumption; at the same time, it can save a lot of waste water treatment energy consumption for production enterprises and reduce the cost of glue making; and the use of urea-formaldehyde pre-condensate is also beneficial to reduce the transportation cost of aldehydes used in the preparation of urea-formaldehyde resins; the invention fundamentally prevents the generation of rubber-making wastewater, and solves the problem of the pollution of the rubber-making wastewater of the production enterprise.

21: 2021/07959. 22: 2021/10/19. 43: 2021/12/01
 51: G09B
 71: GUANGXI UNIVERSITY
 72: YANG, Linfeng, LI, Wei, FANG, Beihua, CHEN, Shifei

33: CN 31: 202011208689.9 32: 2020-11-03
54: A METHOD AND DEVICE FOR CONSTRUCTING MULTI PERIOD HIGH-DIMENSIONAL PROJECTION UNIT COMMITMENT MODEL

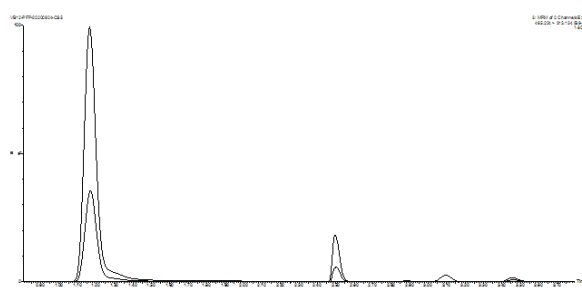
00: -

The invention is applicable to the field of electric power technology, and provides a method and device for constructing a multi-period high-dimensional projection unit commitment model. The method collects the basic data of the units of the power system, projects the power variable of unit and its related parameters to the interval [0,1] by using the variable projection technology, and some new state variables are introduced to represent all operating states of a single unit in multiple periods, and then based on the actual operation demand of the unit, the ideal expressions of multi period upper bound and multi period ramping constraints are derived by using the introduced state variables; By using the linear relationship between the introduced new state variables and other state variables, the new state variables can be eliminated and the compactness of the model will be improved. After adding other constraints and objective functions, the multi period unit commitment model is finally obtained. According to the modeling method, a multi period high-dimensional projection unit commitment model can be established. And the model is tighter and more efficient.



21: 2021/07960. 22: 2021/10/19. 43: 2021/12/01
 51: G01N
 71: Chongqing University Cancer Hospital
 72: HE, Yongpeng, LI, Yongsheng, SHAN, Juanjuan, LI, Lixian, ZHANG, Haiwei, LI, Jiatao, ZHAO, Huakan, WANG, Mengzhu
 33: CN 31: 202011338317.8 32: 2020-11-25
54: ULTRA-HIGH PERFORMANCE LIQUID CHROMATOGRAPHY COUPLED WITH TANDEM MASS SPECTROMETRY METHOD FOR MEASURING ISOTOPE DILUTION

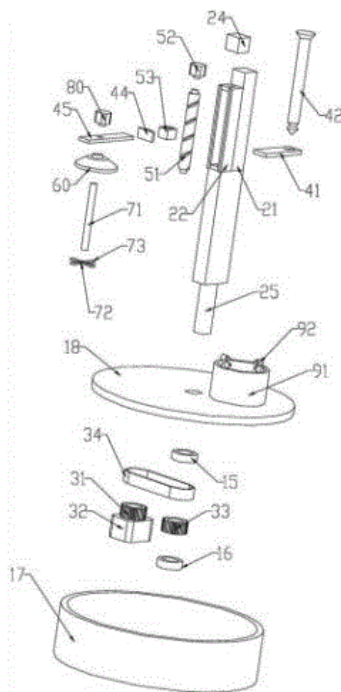
00: -
 The present disclosure provides an ultra-high performance liquid chromatography coupled with tandem mass spectrometry (UHPLC-MS/MS) method for measuring isotope dilution, including the following steps of: step 1, selecting three target compounds: pyridoxal, 5-methyltetrahydrofolate, and mecobalamine; step 2, establishing a calibration curve with a concentration ratio of the target compounds to isotope-labeled internal standards (ILISs) thereof as an X axis and a peak area ratio of the target compounds to ILISs thereof as a Y axis, and calculating the content of the above three water-soluble vitamins; step 3, preparing a protein precipitant; step 4, pretreating a serum sample; and step 5, preparing and treating standard curves. A serum sample is treated in a pretreatment mode of combining protein precipitation and liquid-liquid extraction.



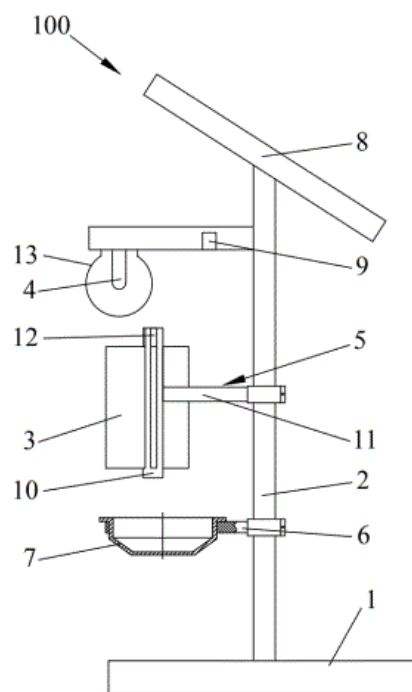
21: 2021/07962. 22: 2021/10/19. 43: 2021/12/01
 51: B01F
 71: UNION HOSPITAL TONGJI MEDICAL COLLEGE HUAZHONG UNIVERSITY OF SCIENCE AND TECHNOLOGY
 72: XIONG, Nian, LI, Jingwen, WANG, Xinyi, MEI, Surong, LI, Xiang, ZHU, Chunli, DONG, Feng, YAN, Jin, ZHENG, Tao, YANG, Qian
 33: CN 31: 202110027398.8 32: 2021-01-10
54: PREPARATION DEVICE FOR PREPARING BUFFER SOLVENT

00: -
 The present invention discloses a preparation device for preparing a buffer solvent, including a base, a rotating frame mounted rotatably on the base, a first rotation driving device, a first mounting rack arranged on one side of the rotating frame, a quantitative dropping pipette mounted on the first mounting rack, a second mounting rack mounted on the other side of the rotating frame, a lifting driving device, a top cover having a center hole formed in

the middle, a stirring device penetrating through the center hole, and a second rotation driving device mounted on the second mounting rack and configured to drive the stirring device to rotate. A liquid addition region, a first container placement region, a stirring device cleaning region and a second container placement region are formed on the base. Higher preparation accuracy and efficiency are achieved, and time is saved.



colored plate frame is connected with at least one of the colored pest sticking plates. The colored pest sticking plates of which the colors are the same as attraction colors of pests occurring in a control area are mounted on the colored plate frame, the number of the same colored pest sticking plates is positively related to the occurrence number of the pests corresponding to the colored pest sticking plates, and the low-pressure sodium lamp is in a switched-off state and in a switched-on state.



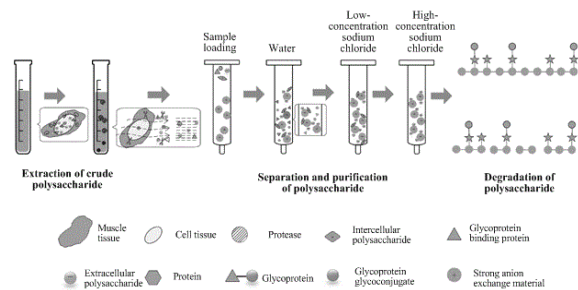
21: 2021/07963. 22: 2021/10/19. 43: 2021/12/01
51: A01M
71: Institute of Plant Protection, Henan Academy of Agricultural Sciences
72: JIANG, Yueli, LI, Tong, GONG, Zhongjun, WU, Yuqing, MIAO, Jin, DUAN, Yun
33: CN 31: 202110842509.0 32: 2021-07-26
54: COMPLEX LAMPLIGHT CONTROL DEVICE FOR PESTS AND CONTROL METHOD

00: -
Disclosed is a complex lamplight control device for pests and a control method. The complex lamplight control device includes a base, a supporting column and various colored pest sticking plates; the supporting column is connected to the base and is provided with a low-pressure sodium lamp and a colored plate frame; the colored pest sticking plates are connected to the colored plate frame, and the

21: 2021/07964. 22: 2021/10/19. 43: 2021/12/01
51: C04B; E21F
71: Xijing University
72: Yuan Kekuo, Zhang Hao, Fu Shaojun, Liu Kaide, Yang Shasha, Zhang Jingxian
54: ENGINEERING SLURRY WITH ADJUSTABLE FLUIDITY ALONG WITH SHEAR RATE, PREPARATION METHOD AND APPLICATION THEREOF

00: -
The invention discloses engineering slurry with adjustable fluidity along with shear rate as well as its preparation method and application, belonging to the technical field of geological disaster prevention and control. The raw materials for making its effective components include cementing material, base material, water and flow regulator with high-speed shear dilution characteristic, which can make the

engineering slurry have better fluidity during transportation and become solid or semi-solid when it is filled into a mining cavity. The engineering slurry provided by the invention has good fluidity during transportation, cannot be deposited in a pipeline, and can be solid or semi-solid when filled into a mining cavity, so that the engineering slurry can be stacked at a large angle, the compactness during filling is enhanced, and the engineering slurry is suitable for preparing all slurry used for filling the mining cavity.



21: 2021/07965. 22: 2021/10/19. 43: 2021/12/01
51: C08B; A61P

71: Zhejiang University

72: CHEN, Shiguo, WU, Xiaoyi, ZHU, Kai, YU, Chengxiao, WANG, Yuying, YE, Xingqian, HOU, Zhiqiang

33: CN 31: 202110922492.X 32: 2021-08-12

54: SEPARATION AND PURIFICATION METHOD OF GLYCOSAMINOGLYCAN AND PREPARATION METHOD OF SULFATED OLIGOSACCHARIDE

00: -

The present disclosure discloses a separation and purification method of glycosaminoglycan. In the method, a step-by-step elution method is used as follows: samples are dissolved in water, loaded onto a high-efficiency ion exchange material, and eluted with water, a low-concentration sodium chloride solution and a high-concentration sodium chloride aqueous solution sequentially. The method has less sample consumption, short analysis time and simple operation. The present disclosure further provides a preparation method of sulfated oligosaccharide. In the method, sulfated polysaccharide is degraded to produce oligosaccharides at a certain temperature using hydrogen peroxide as a reactant and ascorbic acid as a catalyst. The method has high efficiency in trace amounts, easily controllable conditions and no pollution.

21: 2021/07966. 22: 2021/10/19. 43: 2021/12/01
51: A01K

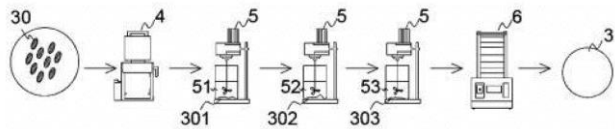
71: Sichuan University of Science and Engineering, Sichuan Zhixiangyi Technology Co., Ltd, Tsou, Chi-Hui, Sichuan Zhirenfa Biotechnology Co., Ltd

72: Tsou Chi-Hui, Gao Chen, Zeng Rui, Du Juan, Cui Xuejun, Zhang Xuemei, Yang Tao, Wang Ping, Sheng Kexing, Jia chunfen, Hu XueFei, Yi Jia, Zou JiaJun, Zhao Wenbin, Qu ChangLei, Zhou Li, Li Yu

54: METHOD FOR FEEDING HERMETIA ILLUCENS AND PREPARING COMPOSITE MATERIAL OF PUPARIUMS

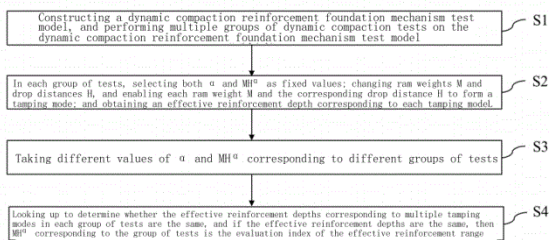
00: -

This invention discloses method for feeding *Hermetia illucens* and preparing composite material of puparium, which comprises the following steps: S1, dry *Hermetia illucens* pupariums and grind them into powdery, S2, adding powdery of *Hermetia illucens* pupariums into sodium hydroxide aqueous solution, stirring, separating and filtering, S3, adding the pupariums into hydrochloric acid solution, stirring, separating and filtering; S4, placing the pupariums into sodium hydroxide aqueous solution, stirring, separating and filtering; S5, drying the pupariums, and screening out the granular pretreated powder of the *Hermetia illucens* pupariums. The invention also disclose preparation method of composite material and thin film of *Hermetia illucens* pupariums and antibacterial and antimildew additive. The method can effectively improve the yield of chitosan in *Hermetia illucens* pupariums, and the prepared pupariums powder can be used for preparing polymer composite fibers and thin films of the *Hermetia illucens* pupariums, thus, the antibacterial effect is greatly improved. A new antibacterial and antimycotic additive can be obtained by compounding the powder of *Hermetia illucens* pupariums with the powder of oyster shell.



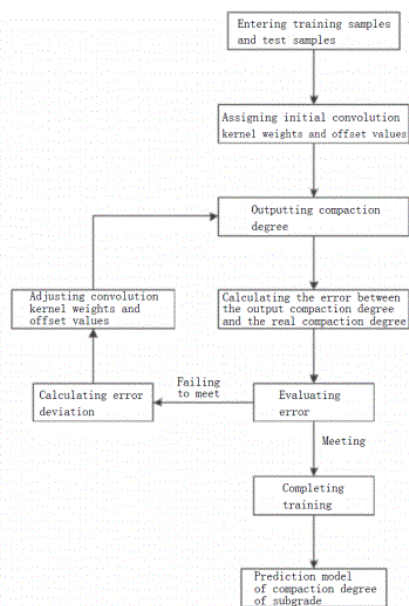
21: 2021/07967. 22: 2021/10/19. 43: 2021/12/01
 51: E02D; G06F
 71: Changsha University of Science and Technology
 72: LI, Xi, QIAN, Guoping, ZHANG, Jingyu, YANG, Hui, YU, Huanan, GONG, Xiangbing, ZHOU, Hongyu, CAI, Jun
 33: CN 31: 202110029350.0 32: 2021-01-11
54: METHOD AND DEVICE FOR DETERMINING EVALUATION INDEX OF EFFECTIVE REINFORCEMENT RANGE

00: -
 A method and a device for determining an evaluation index of an effective reinforcement range. The method comprises: constructing a dynamic compaction reinforcement foundation mechanism test model, and performing multiple groups of dynamic compaction tests on the dynamic compaction reinforcement foundation mechanism test model; in each group of tests, selecting both alpha and MHalp α as fixed values, changing ram weights M and drop distances H, and enabling each ram weight M and the corresponding drop distance H to form a tamping mode; acquiring an effective reinforcement depth corresponding to each tamping mode; taking different values of alpha and MHalp α corresponding to different groups of tests; and looking up to determine whether the effective reinforcement depths corresponding to multiple tamping modes in each group of tests are the same, and if the effective reinforcement depths are the same, then MHalp α corresponding to the group of tests is the evaluation index.



21: 2021/07968. 22: 2021/10/19. 43: 2021/12/01
 51: G01N; G06F; G06N
 71: Changsha University of Science and Technology

72: LI, Xi, QIAN, Guoping, LI, Ping, SU, Min, LEI, Ruo chen, LIU, Zhenyu, WANG, Ruizhi, SHEN, Yanliang, WANG, Dangrui, HUANG, Yuqi
 33: CN 31: 202110668694.6 32: 2021-06-16
54: METHOD FOR RAPIDLY DETECTING COMPACTION DEGREE OF RED CLAY
 00: -
 The present invention provides a method for rapidly detecting compaction degree of red clay, and belongs to the technical field of road engineering. The detection method comprises the following steps: S1: acquiring load and displacement time history data by using PFWD equipment; S2: establishing a convolution neural network, wherein the convolution neural network comprises an input layer, a convolution layer, a pooling layer, a full connection layer and an output layer. In the method, by utilizing the PFWD (portable falling weight deflectometer) equipment, and combining large data and a convolution neural network algorithm, the soil compaction degree information contained in the dynamic load and displacement time history of the falling hammer obtained by the PFWD is fully mined, a method for quickly and nondestructively obtaining the compaction degree of red clay by PFWD equipment is established, which facilitates the improvement of current standard and the guidance of engineering construction.



21: 2021/07969. 22: 2021/10/19. 43: 2021/12/01
 51: A61K

71: Qingdao Agricultural University
 72: Zhang Xiaoxuan, Ni Hongbo, Ma He, Geng Hongli, Yang Xinbo, Meng Xiangzhu, Zhang Yuan, Zhao Quan

54: AN ENEMA PHARMACEUTICAL COMPOSITION FOR TREATING DIARRHEA OF PIGLET

00: -
 The present invention discloses an enema pharmaceutical composition for treating diarrhea of piglet, and the components by weight of which consist of: 40-60 parts of Sowthistle tasselflower herb, 40-60 parts of Sargentodoxa cuneata, 40-60 parts of Andrographis paniculata, 30-50 parts of Herba pteridis multifidae, 30-50 parts of Herba euphorbiae humifusae, 30-50 parts of Herba agrimoniae, 30-50 parts of Radix pulsatillae, 30-50 parts of Radix puerariae, 30-50 parts of Atractylodes macrocephala koidz, 20-40 parts of Climbing groundsel herb, 20-40 parts of Semen plantaginis, 15-25 parts of Coptis chinensis, 15-25 parts of Fructus mume, 3-5 parts of Smecta, and 3-5 parts of lactobacillin tablets; And these aforesaid medicine are combined organically, which are administered dialectically and compatible as well as can be mutually adjuvant, and thus can enhance the efficacy of the prescription for clearing heat, eliminating dampness and relieving diarrhea, so that they can achieve the purpose of curing the diarrhea of piglet. Furthermore, the cure rate of diarrhea of piglet by means of enema treatment based upon adopting prescription reaches up to 90.23 percent, and the effective rate reaches up to 98.70 percent. Thus, the pharmaceutical composition obtained by means of the preparation method of the present invention manifested more significant therapeutic effect.

21: 2021/07970. 22: 2021/10/19. 43: 2021/12/01
 51: G06F

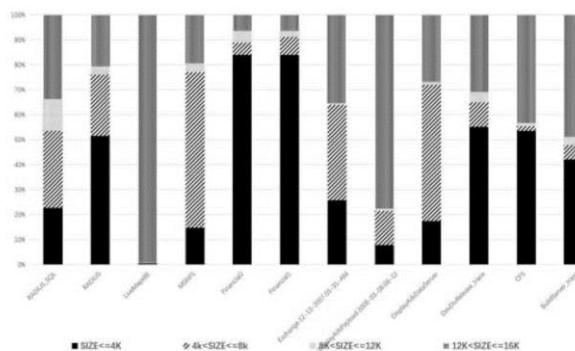
71: Nanchang Hangkong University
 72: He Dan, Xu Wen, He Ying, Mei Yuan, Yan Sixiang

33: CN 31: 202110368279.9 32: 2021-04-06

54: AN OPTIMIZATION METHOD FOR IMPROVING WRITE PERFORMANCE OF 3D FLASH CHIPS IN SOLID STATE DISKS

00: -
 The invention discloses an optimization method for improving the write performance of 3D flash memory

chip in a solid state disk. The invention takes a hybrid solid-state disk with 3D-Flash and MLC as storage media as reference, and assumes that the size of a single data page of 3D-Flash is 16K and the size of a single MLC data page is 4K. This scheme can make full use of the feature that the write request size is less than the page size, thus reducing the number of write operations of flash memory and effectively prolonging the service life of flash memory.



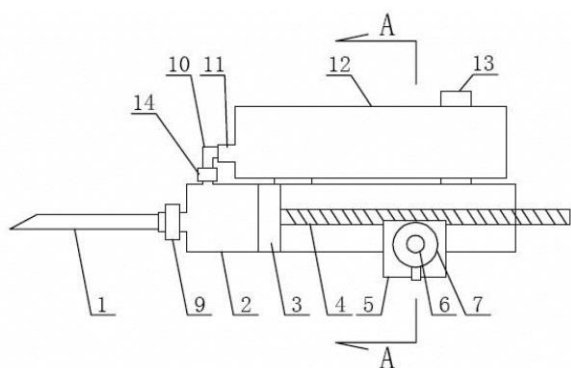
21: 2021/07971. 22: 2021/10/19. 43: 2021/12/01
 51: A61D

71: Qingdao Agricultural University, Qingdao Tiangen Biotechnology Engineering Co, Ltd
 72: Ni Hongbo, Meng Jinxin, Gao Tongrui, Li Xiaoman, Wang Xiangyu, Zhang Xiaoxuan

54: HAND HELD SPECIAL SYRINGE FOR SHEEP EPIDEMIC PREVENTION

00: -
 The present invention relates to Hand held special syringe for sheep epidemic prevention, the syringe comprises a needle, a needle tube, a piston and a piston rod, the needle tube is provided with a pressure rod box, the pressure rod box is provided with a pressure rod with inclined threads, a gear is sleeved outside the pressure rod, the inner ring surface of the gear is provided with inclined threads matched with the pressure rod, the outer ring surface is provided with a gear teeth I, and a return spring is also sleeved outside the pressure rod under the gear; the piston rod is provided with a gear teeth II, and the gear teeth I and the gear teeth II are mutually occluded; the contact between the needle tube and the needle is provided with a check valve I, the front end of the needle tube is provided with a liquid inlet tube, the liquid inlet tube is connected with a medicine storage cylinder outside the connecting tube, the medicine storage cylinder is

fixed on the needle tube, and the medicine storage cylinder is provided with a medicine inlet; the liquid inlet tube is provided with a check valve II. When using the present invention, the vaccinators hold the syringe in hands, and the force point and needle tip distance of the hands are closer to the original syringe, which reduces the probability of damage to the syringe; the present invention realizes the continuous injection of the vaccine and improves the work efficiency.



21: 2021/07972. 22: 2021/10/19. 43: 2021/12/01
51: A23L; A23P; A61K; A61P; A61Q

71: Ocean University of China

72: XU, Jie, YANG, Lu, CAI, Hanfei, QIAO, Xing, XUE, Changhu, WEI, Zihao, TANG, Qingjuan, WANG, Yuming, JIANG, Xiaoming, LI, Jing

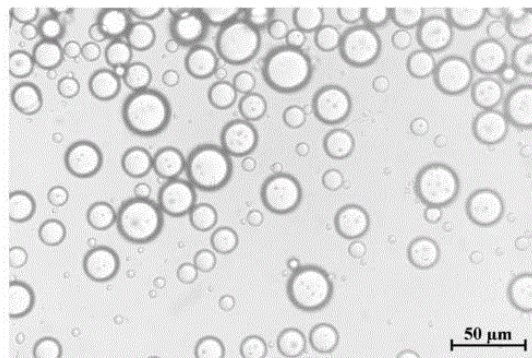
33: CN 31: 202110485240.5 32: 2021-04-30

54: ASTAXANTHIN PICKERING EMULSION AND PREPARATION METHOD THEREOF

00: -

The present disclosure relates to the preparation of active substance preparations, and specifically relates to an astaxanthin Pickering emulsion and a preparation method thereof. The preparation method comprises steps of preparing a chitosan-guar gum nanoparticle as an emulsifier and preparing the astaxanthin Pickering emulsion using the emulsifier. Steps of preparing the chitosan-guar gum nanoparticle as the emulsifier specifically comprises adding a chitosan-acetic acid solution into a guar gum solution dropwisely and slowly under a high-speed stirring condition, and then stirring continuously to adjust a pH value to 3-6, to obtain the chitosan-guar gum nanoparticle as the emulsifier. The present disclosure has a mild preparation process, green and safe raw materials, and no surfactant. The astaxanthin Pickering

emulsion prepared by the present disclosure has high physical and chemical stability, and no significant phase separation after being stored for 2 months.



21: 2021/07973. 22: 2021/10/19. 43: 2021/12/01

51: H04L; H04W

71: Tangshan University

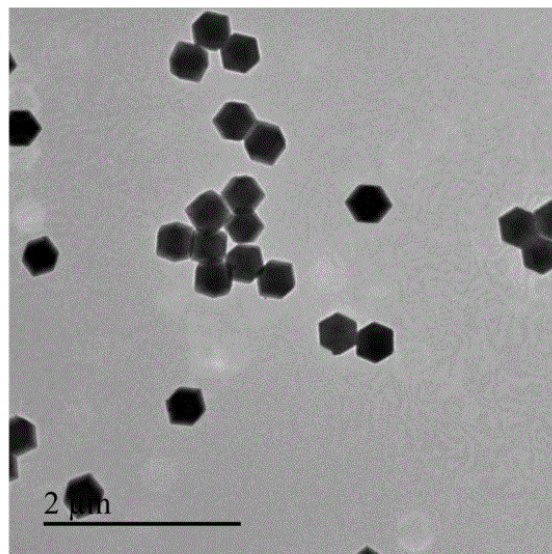
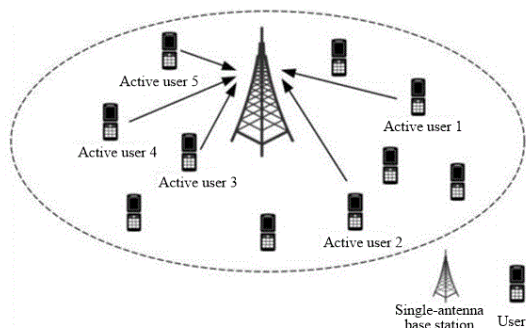
72: MA, Zhuang, TANG, Wanwei

33: CN 31: 202110556854.8 32: 2021-05-21

54: MULTI-USER DETECTION METHOD BASED ON UPLINK GRANT-FREE NOMA SYSTEM

00: -

The present disclosure provides a multi-user detection method based on an uplink grant-free non-orthogonal multiple access (NOMA) system, which is designed according to sparse characteristics of active users in an uplink grant-free NOMA system. An uplink grant-free NOMA model is first constructed, parameters are initialized based on the model, and in information exchange between a base station and users, the base station performs a combination and calculates a residual and sparsity according to a received signal and an active user support set, performs an iteration according to a result until the iteration is ended, and obtains actual active user sparsity. The present disclosure has excellent robustness, improved bit error rate (BER) performance, and low calculation complexity, and can be applied to a situation of an unknown channel.



21: 2021/07974. 22: 2021/10/19. 43: 2021/12/01

51: A61K; B01J; B22F; A61P

71: LINYI UNIVERSITY

72: HU, Zunfu, ZHENG, Xiuwen, DAI, Zhichao, SUN, Yunqiang, WANG, Shan, WEI, Qiulian

54: PREPARATION METHOD OF THERANOSTIC AGENT WITH MONODISPERSE HETERONUCLEAR DIATOMIC ACTIVE SITES AND USE THEREOF

00: -

The present disclosure belongs to the field of medical nanomaterials, and specifically relates to a preparation method of a monoatomic theranostic agent with Fe and Pt dual active sites and a use thereof. The present disclosure utilizes Fe and Pt single atoms to realize high efficient Fenton catalytic reaction and disproportionation reaction respectively, thus realizing high efficient suppression of tumors and alleviation of tumor hypoxia; meanwhile, the introduction of specific targeting reagents improves the selectivity and biological safety of tumor therapy effectively.

21: 2021/07975. 22: 2021/10/19. 43: 2021/12/01

51: A01N; C05F; A01P

71: QINGDAO AGRICULTURAL UNIVERSITY

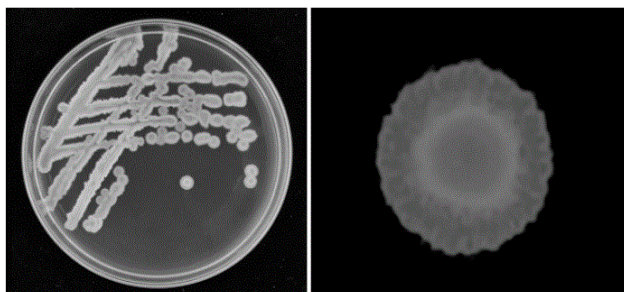
72: LI Yahua, LIU Xin, ZHAO Fanggui, ZHAO Lin, LIU Guangchao, YE Qing

33: CN 31: 202011568910.1 32: 2020-12-25

54: BACILLUS AMYLOLIQUEFACIENS, MICROBIAL INOCULUM, AND PREPARATION METHOD AND USE THEREOF

00: -

The present invention provides a *Bacillus amyloliquefaciens* F028, which was deposited in China General Microbiological Culture Collection Center (CGMCC) on April 20, 2020, with the accession number of CGMCC No. 19590. A biocontrol preparation prepared from the strain has a broad-spectrum bacteriostatic effect on bacterial diseases caused by *Xanthomonas campestris*, *Erwinia carotovora* and *Ralstonia solanacearum*, and fungal diseases caused by *Botrytis cinerea*, *Rhizoctonia solani*, *Alternaria Nees*, *Fusarium spp.*, *Phytophthora spp.*, *Glomerella cingulata*, *Colletotrichum capsici*, and *Beauveria bassiana*. The present invention provides new resources for using microorganisms instead of chemically-synthesized antimicrobial agents and using biocontrol methods to control plant diseases, and can be used as biological pesticides for development and utilization. Moreover, the *Bacillus amyloliquefaciens* provided by the present invention has an effect of promoting the plant growth of tomatoes and tobacco, and has a wide application prospect.



21: 2021/07976. 22: 2021/10/19. 43: 2021/12/01
51: A01C; A01G

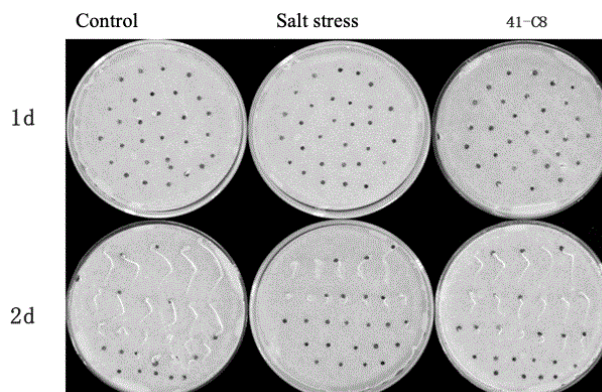
71: QINGDAO AGRICULTURAL UNIVERSITY
72: LIU Xin, LIU Guangchao, GUO Yanping, YE
Qing, BAI Yang, ZHANG Jingying, LI Yahua

33: CN 31: 202110289660.6 32: 2021-03-16

**54: SALT-TOLERANT, POTASSIUM-RELEASING
AND GROWTH-PROMOTING MICROBACTERIUM
OXYDANS 41-C8, MICROBIAL INOCULUM, AND
USE THEREOF**

00: -

The present invention provides a salt-tolerant, potassium-releasing and growth-promoting Microbacterium oxydans 41-C8. The strain was deposited in the China General Microbiological Culture Collection Center on January 4, 2021, with an accession number of CGMCC No. 21585. The strain can be used to release potassium, fix nitrogen, release phosphorus, and promote plant growth. The present invention further provides a microbial inoculum including the Microbacterium oxydans 41-C8 and a preparation method thereof. The strain has a salt tolerance of 0-7% and an optimal salt tolerance of 3-5%, and also has a variety of growth-promoting properties such as nitrogen fixation, organic phosphorus release and potassium release. The bacterial solution prepared from the Microbacterium oxydans 41-C8 can significantly improve the salt-tolerant and growth-promoting ability on cabbage under salt stress, and has the effects of alleviating salt damage phenomenon, increasing biomass, and thus promoting the growth of cabbage, which facilitates to improve the salt tolerance of cabbage and reduce the use of chemical fertilizers. The salt-tolerant and growth-promoting strain and the bacterial solution thereof have wide application prospects.



21: 2021/07990. 22: 2021/10/19. 43: 2021/12/01
51: C12M; C12P

71: JIANGSU ZHIDIAN BIOTECHNOLOGY CO.,
LTD.

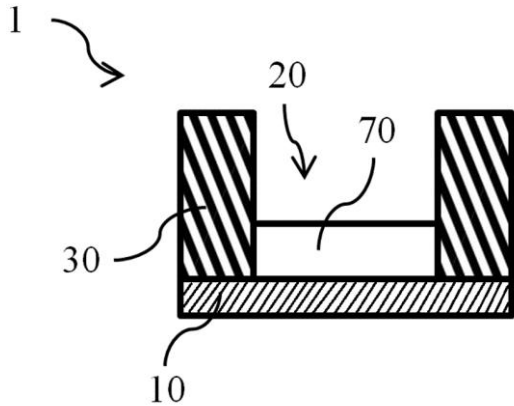
72: KAI, Lei

33: CN 31: 202010190489.9 32: 2020-03-18

54: CELL-FREE PROTEIN SYNTHESIS METHOD

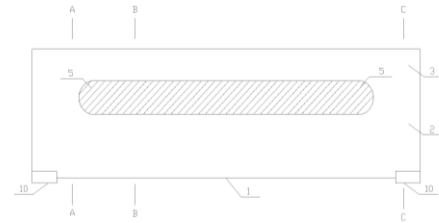
00: -

A cell-free protein synthesis method includes the following steps: (i) providing a multi-well plate. The multi-well plate includes a cover plate and a base provided with a plurality of wells. Each well is formed by one or more side walls, a bottom II and an opening, and the cover plate matches the opening. A volume of a reaction cavity of each well is less than 20 microliters. Some of the wells in the plurality of wells communicate with each other; (ii) providing fluid to some of the wells; (iii) when the fluid is a cell-free reaction mixture, adding a biochemical factor and one or more of a template DNA, a template RNA, an additive, and a reaction cofactor into the fluid; (iv) when the fluid is a mixture of the cell-free reaction mixture and the biochemical factor, adding one or more of the template DNA, the template RNA, the additive, and the reaction cofactor to the fluid; (v) placing the cover plate on a top of the base to seal the openings of the wells. The fluid is in contact with the bottom II of each well and the cover plate; and (vi) subjecting the multi-well plate to incubation for a period of time. This method can reduce the reagent cost.



33: CN 31: 201910213813.1 32: 2019-03-20
54: PREFABRICATED ASSEMBLED O-SHAPED BEAM FOR URBAN RAIL TRANSIT AND ELEVATED BRIDGE

00: -
 The present invention discloses an urban rail transit O-shaped beam and an elevated bridge including a prefabricated base, belly and upper cover plate connected to form a cross-sectional O-shaped channel, with a top of rail platforms along the length of the bottom and height of cable supports on the inside, a daylighting window, reserved holes and power supply device for equipment, material transportation during construction and operation.



21: 2021/07991. 22: 2021/10/19. 43: 2021/12/01
 51: A61C

71: The Second Affiliated Hospital of Chongqing Medical University

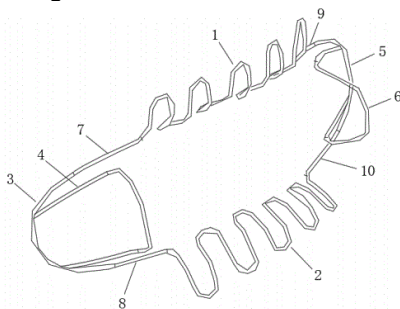
72: WANG, Shengguo

33: CN 31: 201910832948.6 32: 2019-09-04

54: METAL ORTHODONTIC MOUTH GAG

00: -

A metal orthodontic mouth gag is provided, which includes an upper supporting frame, a lower supporting frame, a supporting wing of a left molar area and a supporting wing of a right molar area. The upper supporting frame is a serpentine upper bent rod which is made by a thin steel wire being sequentially wound up and down, and the lower supporting frame is a serpentine lower bent rod which is made by a thin steel wire being sequentially wound up and down. The supporting wing of the left molar area includes a left C-shaped supporting rod and a left blocking supporting frame, and the supporting wing of the right molar area includes a right C-shaped supporting rod and a right blocking supporting frame. The blocking supporting frames are connected into the corresponding C-shaped supporting rods.



21: 2021/08022. 22: 2021/10/20. 43: 2021/12/03
 51: F16B

71: Jilin Institute of Chemical Technology

72: Li Jianwei, Wang Haiyan

54: CLAMP FOR MACHINE MANUFACTURING

00: -

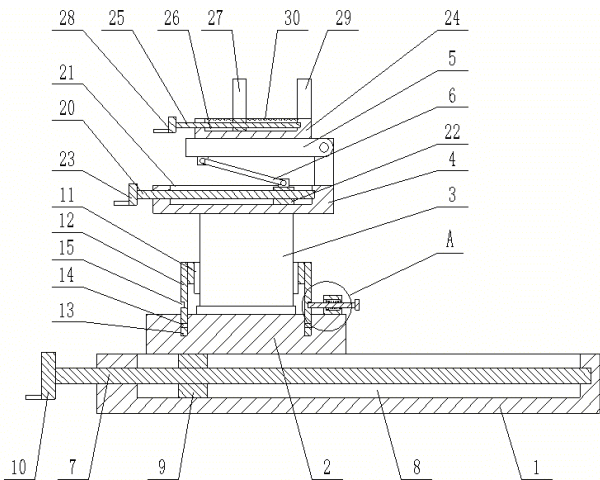
The invention discloses a clamp for machine manufacturing, comprising a bottom plate, one end of the bottom plate is installed with a first adjusting mechanism, a moving plate is slidably connected to the top of the bottom plate, and the moving plate is fixedly matched with the first adjusting mechanism; the top of the moving plate is rotatably connected with a shore, the moving plate is equipped with a rotating adjustment mechanism, and the shore is in position-limiting cooperation with the moving plate through the rotating adjustment mechanism; an adjustment plate is fixedly connected to the top of the shore, and a second adjustment mechanism is installed at one end of the adjustment plate, the other end of the adjustment plate is hinged with a mounting plate, the end of the mounting plate away from the adjustment plate is hinged with a joint lever, and the terminal end of the joint lever is hinged with the second adjusting mechanism; a clamping mechanism is fixedly installed on the mounting plate.

21: 2021/08005. 22: 2021/10/19. 43: 2021/11/24
 51: E01D; E01F

71: JINAN RAIL TRANSIT GROUP CO., LTD.

72: LU, Linhai, LIU, Jiahai, WANG, Shudong

The fixture for machine manufacturing provided by the present invention can effectively adjust the angle of the fixed workpiece for processing, thereby, it is more convenient during use and can meet the needs of people.



21: 2021/08023. 22: 2021/10/20. 43: 2021/12/03
51: G01M

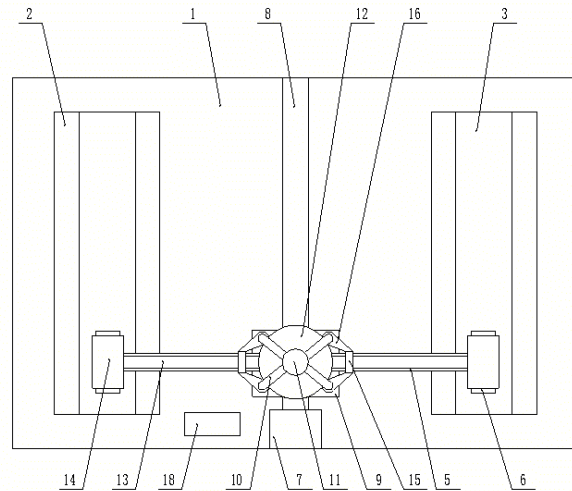
71: Qingdao University of Science & Technology
72: Zhang Dian, Wang Dong, Zhang Baolin, Liu Ximei

54: TIRE COMPRESSION RESISTANCE TESTING DEVICE

00: -

The invention discloses a tire compression resistance testing device, which comprises a test bench, wherein a translation mechanism is installed in the middle part of the test bench, and two weighbridges are fixed on the test bench; the two weighbridges are symmetrically arranged on two sides of the translation mechanism, and test tracks are detachably connected with the weighbridges; the translation mechanism is fixedly connected with a biaxial motor, an output shaft of the biaxial motor is fixedly connected with rotating shafts, the ends of the rotating shafts are detachably connected with tires, and the tires are arranged corresponding to the test tracks; the translation mechanism is fixedly provided with a pressure applying mechanism which is positioned above the tire and is arranged corresponding to the tire. According to the invention, through the arrangement of the translation mechanism and the pressure applying mechanism, the compression resistance test of the tire can truly simulate the state of the tire when traveling on the

road, so that the compression resistance of the tire can be accurately obtained, and the accuracy is high; by setting automatic components such as biaxial motor and hydraulic cylinder, the automatic operation of the device is realized with simple operation, high speed and high efficiency.



21: 2021/08024. 22: 2021/10/20. 43: 2021/12/03
51: H04B; H04N

71: Jilin Institute of Chemical Technology

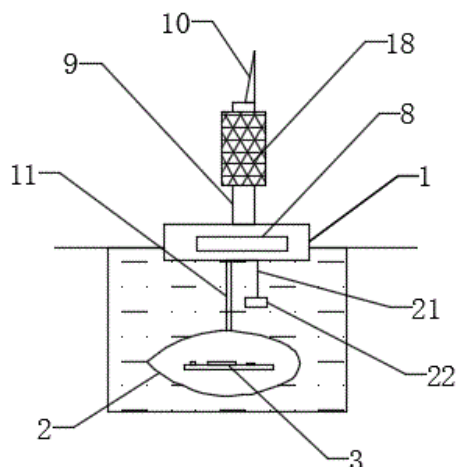
72: Wang Shun, Wang Baoping

54: COMMUNICATION EQUIPMENT AND COMMUNICATION METHOD FOR UNDERWATER DETECTION EQUIPMENT

00: -

The invention discloses a communication equipment for underwater detection equipment, which comprises a floating plate; the lower end of the floating plate is provided with a detection equipment body, and a control panel is embedded in the detection equipment body; one end of the control panel is electrically connected with a programmable controller, and one side inside the detection equipment body is provided with a sonar; the sonar is connected with the control panel through a transducer; one side of that detection equipment body is embedded with a camera; the camera is electrically connected to the control panel, and a power supply mechanism is embedded in the floating plate; the power supply mechanism is connected with the control panel through a cable; the upper end of the floating plate is fixedly connected with a strut; one side of that strut is connected with an antenna; the antenna is

electrically connected to the control panel through a cable. With good endurance ability, the communication equipment provided by the invention is convenient to send and receive data, and can be widely promoted and used.



21: 2021/08025. 22: 2021/10/20. 43: 2021/12/03

51: C23C; C25B

71: North China University of Science and Technology

72: WANG, Jiansheng, ZENG, Xiongfeng

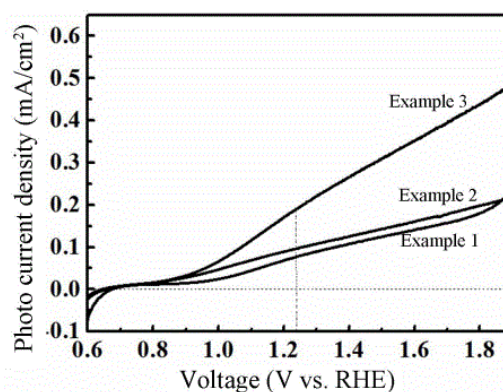
33: CN 31: 202011457192.0 32: 2020-12-10

54: COPPER TUNGSTATE PHOTOANODE FILM AND PREPARATION METHOD THEREOF

00: -

The present disclosure provides a preparation method of a copper tungstate photoanode film. The preparation method comprises the following steps: mixing copper nitrate trihydrate, ammonium metatungstate and water to obtain a precursor solution; carrying out ultrasonic spray pyrolysis coating on the obtained precursor solution to form a copper tungstate precursor film on the substrate; and carrying out heat treatment on the obtained copper tungstate precursor film to obtain the copper tungstate photoanode film. According to the preparation method, the precursor solution can be atomized into nano-sized droplets by adopting an ultrasonic spray pyrolysis coating method, the solid film with uniform thickness is finally formed on the substrate through reaction processes such as solvent evaporation and solute thermal decomposition, crystallization of the precursor film can be promoted during heat treatment, and the

uniformity of the structure of the copper tungstate photoanode film is further improved



21: 2021/08026. 22: 2021/10/20. 43: 2021/12/03
51: E02B

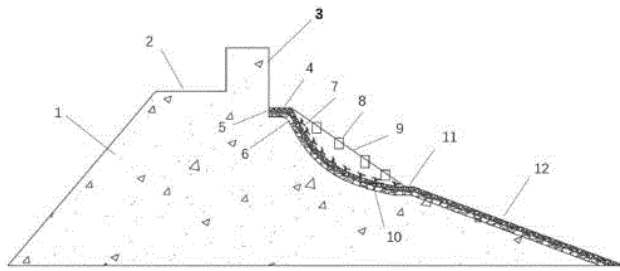
71: Zhejiang University of Water Resources and Electric Power

72: Huang Saihua, Nie Hui, Liu Yao, Yang Yijun, Zhu Lili

54: ANTI-EROSION GREEN ECOLOGICAL SEAWALL CAPABLE OF COLLECTING MARINE GARBAGE

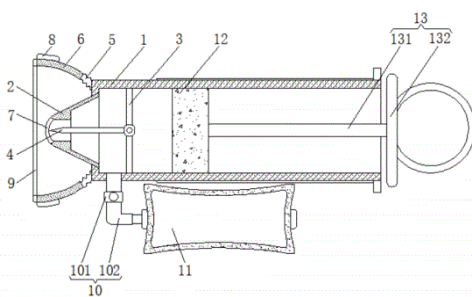
00: -

The invention discloses a green anti-erosion seawall with the ability to collect marine garbage, which belongs to the field of seawall protection. The structural is composed of a water-ward slope, a top slope and a backwater slope in sequence. The water-ward slope mainly includes a wave wall, a wave elimination platform, a concave arc slope protection surface and a water-ward buffer slope protection surface. The invention also provides a layered slope structure type that can improve erosion resistance, and an ecological vegetation cover layer is provided on the concave arc slope protection surface; the levee body is also equipped with a garbage collector, which is stretched horizontally between the first-level wave elimination platform and the second-level wave elimination platform, marine garbage can be easily collected while effectively addressing wave erosion. The invention has multiple functions such as effective energy-dissipating, erosion resistance, hydrophilicity and landscape.



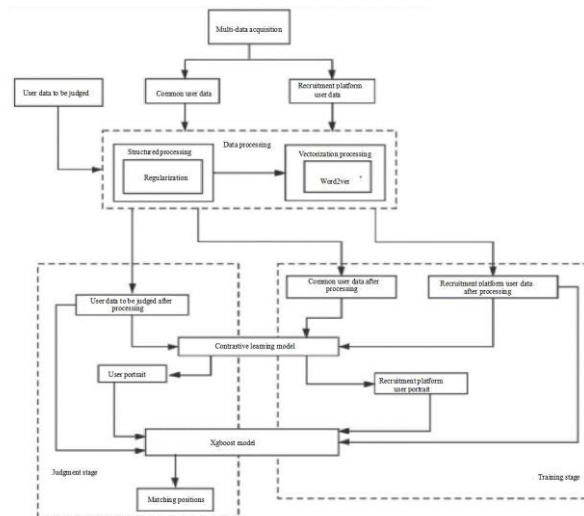
21: 2021/08063. 22: 2021/10/21. 43: 2021/12/03
 51: A61B
 71: The Second Affiliated Hospital of Shandong First Medical University
 72: ZHANG, Yingzi
54: ANTI-OUTFLOW MEMBRANE RUPTURE INSTRUMENT FOR CLINICAL OBSTETRICS
 00: -

The present invention discloses an anti-outflow membrane rupture instrument for clinical obstetrics, belonging to the technical field of medical instruments; the instrument includes a cylinder, a guide holder is buckled on the left side of the cylinder, and a strut is arranged in the cylinder; the left side of the strut is in fixed connection with the right end of a needle, the left side of the cylinder is in fixed connection with the right side of a stiffening rib, and the left side of the stiffening rib is in fixed connection with the right side of a protective cover. The anti-outflow membrane rupture instrument for clinical obstetrics is equipped with a cylinder, a protective cover, a piston, a guide holder and a needle.



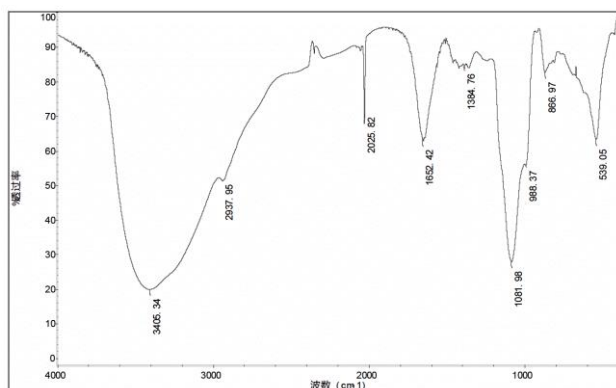
21: 2021/08064. 22: 2021/10/21. 43: 2021/12/03
 51: G06K; G06T; G06Q
 71: Guangdong Polytechnic Normal University
 72: He Kangjian, Liu Lan, Huang Zhihao, Wu Yafeng, Yu Yongjie, Zhang Baoying
54: METHOD FOR CONSTRUCTING FIGURE PORTRAITS BASED ON CONTRASTIVE LEARNING
 00: -

The method comprises the following steps: firstly collecting user behavior data, then structuring the user behavior data, then quantifying the structured data, then inputting the processed data into a contrastive learning model to generate portrait information, and finally inputting the portrait information and user data of users to be processed into an xgboost model to match the most suitable post; According to the invention, the log data is mapped to a spherical space by using a contrastive learning method, the data are classified by using spatial distance, the study is carried out from the behavior data of job seekers, the personal data of job seekers are deeply analyzed, the user portrait is generated by using contrastive learning, and the portrait result is combined with the user behavior data to match the corresponding job post for the user in the xgboost model, thereby providing the most suitable job post for job seekers and improving the job-seeking efficiency in the job-seeking recruitment market.



21: 2021/08065. 22: 2021/10/21. 43: 2021/12/03
 51: C08B
 71: Hainan Medical University
 72: Wang Yong, Zeng Niankai, Li Huanchang, Xie Huijing, Zhang Yuzhuo, Xu Chang, Zhang Xu, Tian Run, Han Yunxiao
54: POLYSACCHARIDE FROM THE FRUITING BODY OF PHLEBOPUS PORTENTOSUS AND ITS EXTRACTION, SEPARATION AND PURIFICATION METHOD
 00: -
 This invention discloses the polysaccharide from the fruiting bodies of Phlebopus portentosus and its

extraction, separation and purification method. The polysaccharide from the fruiting bodies of *P. portentosus* is composed of four monosaccharides, which are mannose, glucose, galactose and L-fucose. The extraction and purification method is as follows: the fruiting bodies of *P. portentosus* are dried at a lower temperature and crushed, the crude polysaccharide is prepared by water extraction and alcohol precipitation, the protein is removed by Sevage reagent, the pigment is removed by SP825 macroporous adsorption resin, the chromatographic separation and purification by DEAE-52 cellulose column, the inorganic salt and small molecular impurities are removed by dialysis bag, and then the refined polysaccharide is prepared by continuous separation and purification by propylene dextran gel S-400HR. According to the invention, polysaccharide is prepared from the fruiting bodies of *P. portentosus*, and its structural characteristics are characterized to a certain extent, thus accumulating experimental data for the preparation and structural analysis of *P. portentosus* polysaccharide.



21: 2021/08066. 22: 2021/10/21. 43: 2021/12/03
 51: C09K; C12N; C12R
 71: Research Institute of Forestry Chinese Academy of Forestry
 72: ZHANG, Qian, XING, Jincheng, YANG, Haishui, SUN, Qixiang, CHU, Jianmin, GUO, Jia, ZHANG, Mingqian
 33: CN 31: 202110659213.5 32: 2021-06-15
54: GLOMUS VERSIFORME, COMPOSITION FOR SALINE-ALKALI LAND REMEDIATION AND METHOD FOR SALINE-ALKALI LAND REMEDIATION

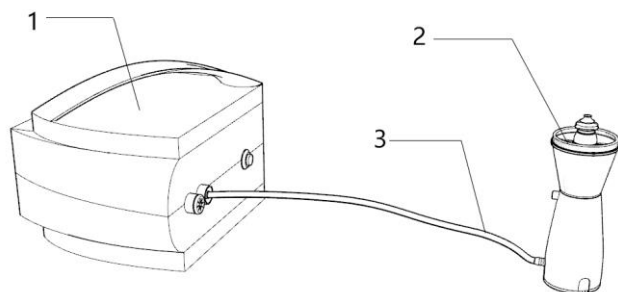
00: -
 The present disclosure provides a *Glomus versiforme*, a composition for saline-alkali land remediation and a method for saline-alkali land

remediation, and belongs to the technical field of ecological remediation. In the present disclosure, the *Glomus versiforme* has a deposit number of CGMCC No. 14546, has desirable root infection ability to pioneer plants in a saline-alkali land with a salinity of 8‰, and can significantly improve the survival rate of pioneer plants in the saline-alkali land to enhance the soil remediation effect.

21: 2021/08067. 22: 2021/10/21. 43: 2021/12/03
 51: A61M
 71: He Xia
 72: He Xia

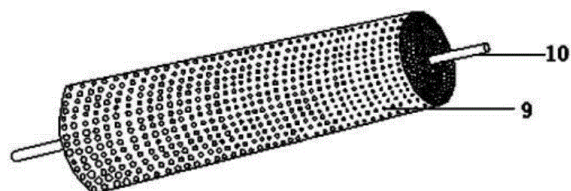
54: NOVEL NASAL IRRIGATION SYSTEM

00: -
 The invention provides a novel nasal irrigation system, which is characterized by comprising an air source device, a duct and a nose cleaner, the air source device comprises a power supply line, a switch, a brushless DC motor, fan blades and an air pump; the nose cleaner comprises a base, a support shell, a liquid medicine container and a nozzle; and the air source device is responsible for filtering air and transporting the air from the duct to the nose cleaner in the form of high-speed gas; the base of the nose cleaner is provided with an intake port which can be externally connected with an intake pipe, high-speed gas enters the nose cleaner and is ejected from the nozzle, and the liquid medicine in the liquid medicine container is driven to be ejected into the nasal cavity by using Venturi principle; According to the invention, high-quality high-speed gas is provided by the air source device and then connected to the nose cleaner through a duct, so that the sanitary condition of the gas can be optimized, the atomization effect of the liquid medicine is more ideal, and a better treatment and maintenance effect can be achieved.



21: 2021/08068. 22: 2021/10/21. 43: 2021/12/03
 51: B01J; C10B
 71: Shandong University of Science and Technology
 72: LI, Longzhi, ZHANG, Yue, SUN, Jifu, CAI, Dongqiang, ZHANG, Lianjie
54: METHOD FOR PREPARING MICROWAVE DISCHARGE METAL CATALYST COATED WITH CHARACTERISTIC CARBON FILM AND APPLICATION THEREOF

00: -
 The present disclosure discloses a method for preparing a microwave discharge metal catalyst coated with a characteristic carbon film and an application thereof, and relates to the technical field of catalyst preparation. The characteristic carbon film of the present disclosure is a microwave discharge metal catalyst prepared by using a biomass tubular film as a supporter, nickel and cobalt as active components, and penetrating a metal wire with a certain diameter and length into fine pores of a characteristic carbon film. When the present disclosure is applied to pyrolysis experiments of lignite, biomass and solid waste, etc., under the the action of microwave, the discharge effect of the two tips of the metal wire is coupled with the catalysis of the characteristic carbon film to strengthen the pyrolysis reaction, and accelerate the catalysis of lignite, biomass and solid waste to produce pyrolysis gases.



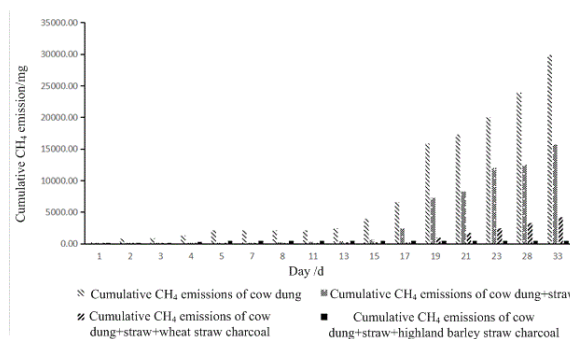
21: 2021/08069. 22: 2021/10/21. 43: 2021/12/03
 51: C01B; C05F; C05G
 71: Qinghai Normal University

72: WANG, Huichun, WEI, Jingjing, ZHANG, Haoran, HU, Ying, JIA, Huiping, XIE, Huichun, LEI, Meili, WANG, Fachun, LIU, Nian

33: CN 31: 202011604408.1 32: 2020-12-30

54: METHOD FOR REDUCING METHANE EMISSIONS DURING COW DUNG COMPOSTING

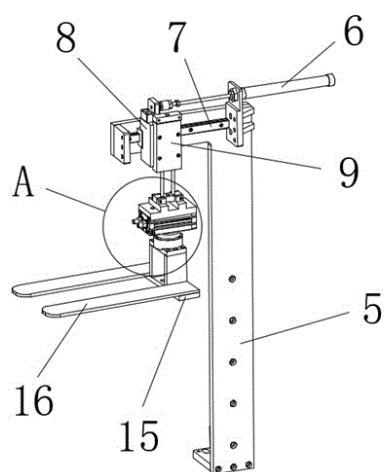
00: -
 The present disclosure provides a method for reducing methane emissions during cow dung composting, and relates to the technical field of livestock manure fermentation. In the present disclosure, aerobic fermentation is conducted by adding a highland barley straw biochar and/or a wheat straw biochar and using a cow dung and a crop straw as basic materials. The highland barley straw biochar and the wheat straw biochar are used as a conditioner for aerobic composting, which is beneficial to reduce a bulk density of a compost pile and increase aeration, thereby improving compost quality and accelerating the composting; the method can reduce the methane emissions to a certain extent, enhance life activities of beneficial microorganisms and accelerate compost maturity.



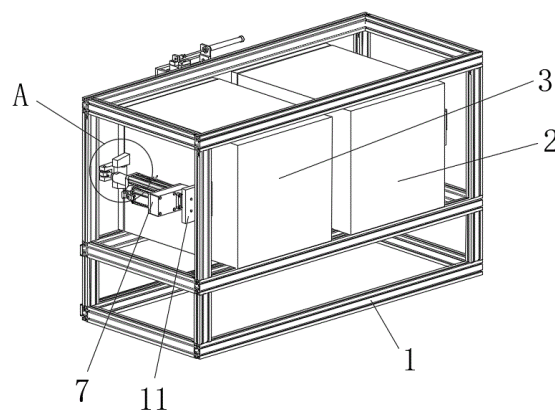
21: 2021/08070. 22: 2021/10/21. 43: 2021/12/03
 51: B23Q; B65G
 71: ShanDong JiaoTong University, SD STEEL.RIZHAO CO., LTD
 72: Wu Chengge, Liu Haiyan, Jing Yan, Yan Guanghua, Sun Yuejun, Zhang Lei
54: MANIPULATOR FOR TRANSFERRING HEAT-TREATED WORKPIECES

00: -
 The invention relates to the related technical field of heat treatment devices, particularly to a manipulator for transferring heat-treated workpieces, which comprises first linear guide rails, a first sliding seat, second linear guide rails, a second sliding seat, a connecting seat, a first telescopic electric cylinder, a second telescopic electric cylinder, a steering

assembly and a material holding assembly. The material holding assembly consists of an upper connecting plate, an intermediate connecting plate, a lower connecting plate and fork plates. The first linear guide rail are fixedly installed on a beam rod of a bracket assembly. The first sliding seat is slidably arranged on the first linear guide rails, and is driven by a first driving structure. By arranging the mechanical arm composed of the first linear guide rails, the first sliding seat, the second linear guide rails, the second sliding seat, the connecting seat, the first telescopic electric cylinder, the steering assembly and the material holding assembly, heat-treated workpieces can be transferred by mechanical arm from the heating resistance box to the low temperature box instead of traditional manual operation, thus ensuring the working efficiency of the device.



driving structure, the low temperature box is composed of a box body and a box door, and a mounting seat and a rear connecting seat are fixedly installed on the side wall of the box body, and the mounting seat is provided with a first rotating shaft hole; one side of the box door is integrally formed with a front connecting seat, which is composed of a plate body and a column structure. By arranging a cold-heat integrated heat treatment equipment box composed of a bracket assembly, a heating resistance box, a low temperature box, a first door opening driving mechanism and a second door opening driving structure, and driving the box door structures on the heating resistance box and the low temperature box to open and close through the first door opening driving mechanism and the second door opening driving structure respectively, the convenience of the cold-heat integrated heat treatment equipment box in actual use is effectively improved.



21: 2021/08071. 22: 2021/10/21. 43: 2021/12/03
51: C21D; C22F

71: ShanDong JiaoTong University, SD
STEEL.RIZHAO CO., LTD

72: Wu Chengge, Liu Haiyan, Jing Yan, Yan
Guanghua, Sun Yuejun, Zhang Lei

**54: COLD-HEAT INTEGRATED HEAT
TREATMENT EQUIPMENT BOX**

00: -

The invention relates to the related technical field of heat treatment devices, particularly to a cold-heat integrated heat treatment equipment box, which comprises a bracket assembly, a heating resistance box, a low temperature box, a first door opening driving mechanism and a second door opening

21: 2021/08072. 22: 2021/10/21. 43: 2021/12/03
51: A01G

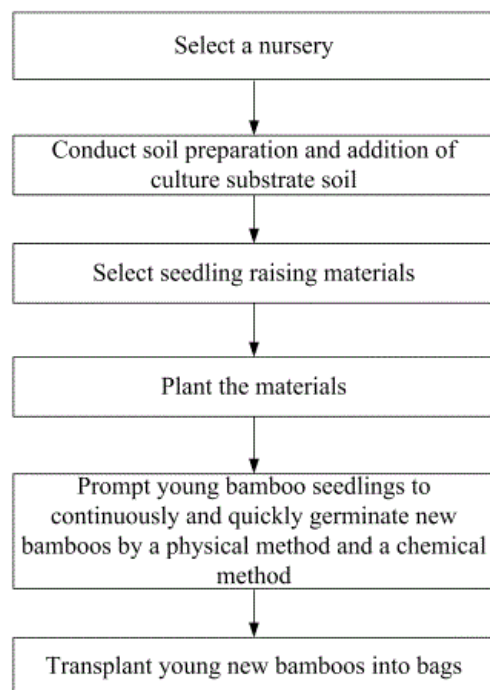
71: International Center for Bamboo and Rattan
72: LI, Deyue, CHEN, Ruiguo, FU, Meimei, HUO,
Changqing, WANG, Yi, FENG, Yun

54: BREEDING METHOD OF BAMBOOS

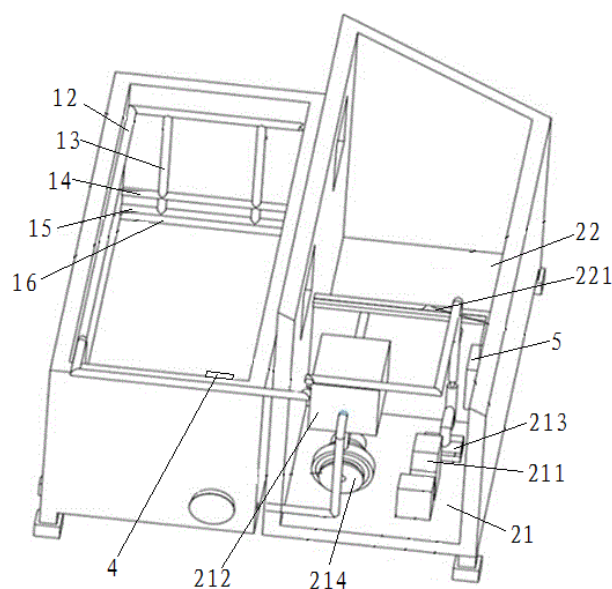
00: -

The present disclosure provides a breeding method of bamboos, where clustered bamboo seedlings are used as a mother plant propagation material to be planted in a nursery; when a basal part of stalks of germinated young bamboo shoots are jointed and elongated to form new bamboos, the stalks are cut at the basal part to accelerate maturation of a culm stump of a new bamboo, while cytokinin is applied to

promote rapid sprouting of the bamboo shoots of the culm stump; the above operations are repeated during a growth period of the bamboo shoots such that the new bamboo and the mother plant continue to germinate and proliferate in situ; after five months, new bamboos with relatively-small size are remained without pruning, these new bamboos take roots and develop side branches, and are transplanted into nursery bags and cultivated into bag seedlings of complete plantlets.



in the aquaculture box; a detection unit, which is used for detecting water parameters of the aquaculture box and the purification pond; and a control unit, which is connected with the microfilter, roots blower, centrifugal pump, heating unit and detection unit, and the control unit is used for controlling the actions of the microfilter, roots blower, centrifugal pump and heating unit to operate according to detection parameters of the detection unit. The invention realizes the intelligent management and control of the aquaculture link, and the invention has the advantages of simple and convenient use and strong practicability.



21: 2021/08073. 22: 2021/10/21. 43: 2021/12/03
 51: A61K
 71: ShangHai Ocean University
 72: Zhang Zheng, Zhou Chun, Chen Yuanshuai, Liu Zhaohui, Cao Shouqi

54: INTELLIGENT BOX-TYPE ENERGY-SAVING AQUACULTURE DEVICE

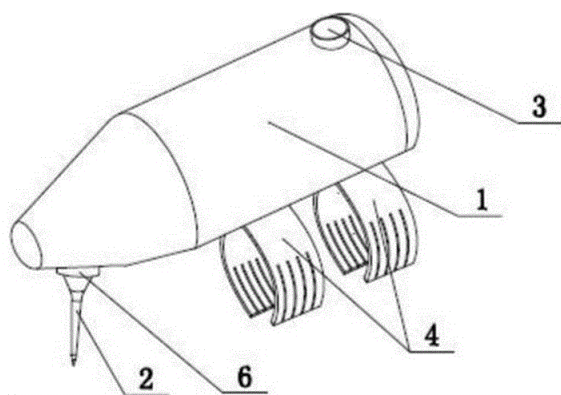
00: -
 The invention discloses an intelligent box-type energy-saving aquaculture device, which comprises the following parts: an aquaculture box, which is internally provided with a water, and the water is provided with an aeration unit; an equipment box, which is connected with the aquaculture box and comprises an equipment bin and a purification pond, and the equipment bin is equipped with a power supply, a microfilter, a roots blower and a centrifugal pump; a heating unit, which is used for heating water

21: 2021/08074. 22: 2021/10/21. 43: 2021/12/03
 51: A01G
 71: Tobacco Research Institute of Chinese Academy of Agricultural Sciences, Nanping Branch of Fujian Tobacco Company, Bijie Branch of Guizhou Tobacco Company

54: TOBACCO STEM INFUSION DEVICE FOR BOTH FERTILIZER AND PESTICIDE

00: -
 The invention discloses a tobacco stem infusion device for both fertilizer and pesticide, which comprises an infusion tube, an infusion needle, a liquid injection port and fixing devices. The infusion tube is an internal hollow container. The infusion needle is detachably arranged at one side of the

bottom of the infusion tube. The liquid injection port is arranged at the top of the infusion tube and on the opposite side to the infusion needle, and the fixing devices are arranged on the infusion tube on the same side as the infusion needle. The infusion device provided by the invention is suitable for crops with small stem such as tobacco, and is simple in structure and convenient in operation.



21: 2021/08075. 22: 2021/10/21. 43: 2021/12/03
51: A01K

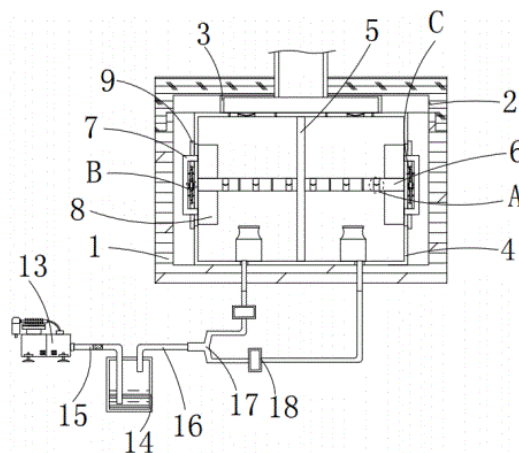
71: Institute of Plant Protection, Henan Academy of Agricultural Sciences

72: WANG, Xueqin, WU, Yuqing, JIANG, Yueli, GONG, Zhongjun, MIAO, Jin, DUAN, Yun, LI, Tong

33: CN 31: 202121004959.4 32: 2021-05-10
54: SEPARATION STRUCTURE OF OLFACTORY TEST DEVICE FOR TAXIS OF INSECTS

00: -

The present utility model provides a separation structure of an olfactory test device for taxis of insects, which includes a cabinet having an attraction mechanism and humidification mechanism arranged thereon. The attraction mechanism includes a top cover, a flow division compartment, a test box, a separator, two baffle plates, and two feeding mechanisms. The top cover is arranged on the cabinet. The flow division compartment is fixedly mounted to the top cover. The test box is fixedly mounted at a bottom of the flow division cabinet. The separator is fixedly mounted in the test box. Both of the baffle plates are fixedly mounted to the separator. Sides of the two baffle plates away from each other are fixedly connected with an inner wall of the test box. Screened insects may be conveniently taken out of the test box, and the insects may be fed and thus prevented from death.



21: 2021/08077. 22: 2021/10/21. 43: 2021/12/03
51: C12N; G01N

71: Qingdao Agricultural University

72: HUANG, Juan, SHAN, Hu

33: CN 31: 202111094400.X 32: 2021-09-17

54: A SCREENING METHOD OF WATER-SOLUBLE COMPOUND VACCINE ADJUVANT

00: -

The present invention discloses a screening method of water-soluble compound vaccine adjuvant, which comprises the following steps: Step 1. Immunization test of primary selected adjuvant on mice; Step 2. Optimizing drug combination adjuvant dose screening test; Step 3. Screening test of compound adjuvant formula. Compared with the prior art, the present invention has the advantages that the test steps are clear and reasonable, the selected reagents fit the actual situation, the test standards and detailed design are complete. The screened compound vaccine adjuvant has been confirmed by preliminary research and can enhance the immune response of ICR mice. It has certain research value, good applicability and easy to promote.

Group	Dose
Blank Group	100μL
OVA Group	100μg
OVA+PP Group	100μg+50μg
OVA+PTS Group	100μg+50μg
OVA+PGS Group	100μg+50μg
OVA+PD Group	100μg+50μg
OVA+PP+PTS Group	100μg+50μg+50μg
OVA+PP+PGS Group	100μg+50μg+50μg
OVA+PP+PD Group	100μg+50μg+50μg
OVA+Quil A Group	100μg+50μg

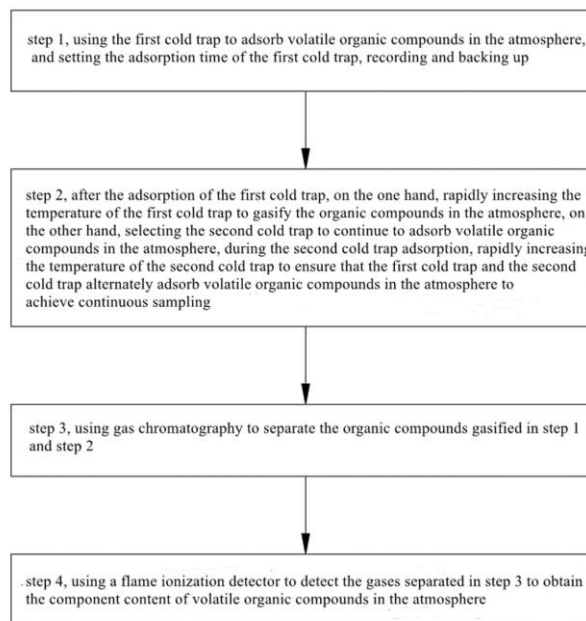
21: 2021/08078. 22: 2021/10/21. 43: 2021/12/03
51: G01N

71: Heilongjiang Bayi Agricultural University
72: ZHANG, Jinyan, BI, Hongmei, SUN, Quan, CHEN, Juan, JIAO, Yue, GAO, Shan

54: AN ONLINE MONITORING METHOD FOR VOLATILE ORGANIC COMPOUNDS IN THE ATMOSPHERE

00: -

The invention discloses an online monitoring method for volatile organic compounds in the atmosphere comprising: using a first cold trap to adsorb volatile organic compounds in the atmosphere; selecting a second cold trap to continue to adsorb volatile organic compounds in the atmosphere to ensure that the first cold trap and the second cold trap alternately adsorb volatile organic compounds in the atmosphere to achieve continuous sampling; using gas chromatography to separate the organic compounds; using a flame ionization detector to detect the separated gases to obtain the component content of volatile organic compounds in the atmosphere. The advantageous effects of the invention compared with the prior art are as follows: the method can effectively carry out continuous and uninterrupted monitoring of atmospheric organic pollutants, and provide real-time environmental monitoring data, using alternating sampling of two cold traps to realize real real-time online, the method has the characteristics of low detection limit, high sensitivity, good stability and so on.



21: 2021/08079. 22: 2021/10/21. 43: 2021/12/03
51: G06Q

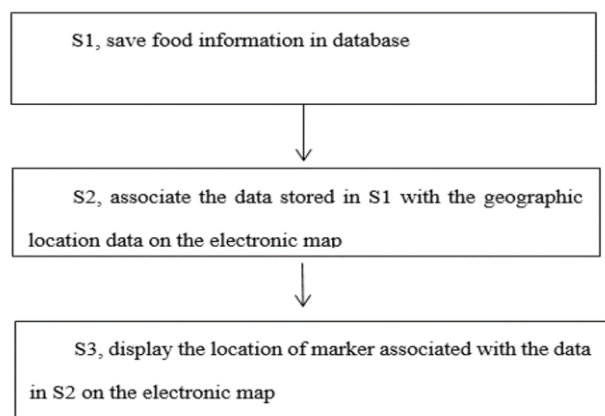
71: Heilongjiang Bayi Agricultural University
72: YU, Xiaoqiu, HAN, Wenge, TIAN, Hong, GAO, Jun, WANG, Yuqian

54: A GRAIN INFORMATION PROCESSING METHOD AND MANAGEMENT SYSTEM COMBINED WITH ELECTRONIC MAP

00: -

The invention discloses a grain information processing method and management system combined with an electronic map, which comprises the following steps: Storing grain information in databases; Associate the data stored in S1 with the geographic location data on the electronic map; Location display of the marker associated with the data in S2 on the electronic map. The advantages of the invention compared with the prior art are as follows: Through the combination of the present invention of grain in the electronic map information processing methods and management system, realize the combination of spatial location for grain information management, corresponding position or area on the electronic map display its corresponding grain information, from the current technology used in the practice of management of grain information such as EXCEL spreadsheets, has the advantages of intuitive, clear. It realizes the fusion of multi-source grain information based on the same location, and can comprehensively display the grain information of the same storage location, so that

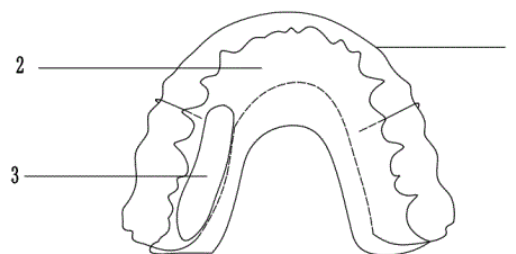
managers can comprehensively study all aspects of the situation and grasp the situation more comprehensively.



21: 2021/08123. 22: 2021/10/22. 43: 2021/12/03
 51: A61C
 71: Jilin University
 72: JIANG, Huan, HU, Min, BAO, Xingfu, ZHANG, Yi, YU, Dongsheng, LI, Yutong, WEI, Xiaoxi, QI, Huichuan, GAO, Shang, WANG, Yuzhuo, JIA, Yifan, WANG, Shaotai

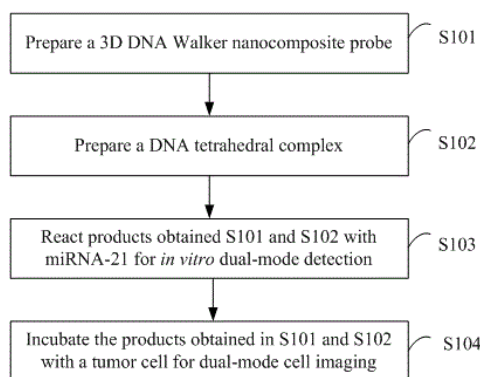
33: CN 31: 202110747422.5 32: 2021-07-02
54: ORTHODONTIC RETAINER FOR RETAINING AFTER CORRECTION OF MAXILLARY DEVIATION OF PATIENT AND MANUFACTURING METHOD THEREFOR

00: -
 The present disclosure discloses an orthodontic retainer for retaining after correction of maxillary deviation of a patient and a manufacturing method therefor. The orthodontic retainer for retaining after correction of maxillary deviation of a patient includes a fixator, a base and an arch wire configured to fix maxillary teeth, where the base is connected to the arch wire and wraps crowns of the maxillary teeth, and the fixator is mounted in a lingual position at an edge of the base and matches a lingual flange space of the mandible. The fixator matching the mandibular lingual flange space is mounted in the lingual position of the orthodontic retainer. When maxillary teeth and mandibular teeth are closed, because the maxillary teeth are in the correct position after correction, the mandibular teeth are driven to be corrected toward the correct position as the fixator is in the mandibular lingual flange space.



21: 2021/08124. 22: 2021/10/22. 43: 2021/12/03
 51: G01N
 71: Qingdao University of Science and Technology
 72: HE, Peng, LI, Tiantian, DING, Kexin, BI, Cheng, LI, Dongxiang, ZHOU, Hong
54: DETECTION METHOD OF TUMOR CELL MARKER MIRNA-21 AND TUMOR CELL
 00: -

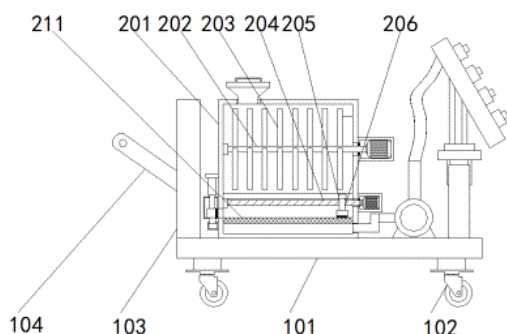
The present disclosure belongs to the technical field of tumor detection, and discloses a detection method of a tumor cell marker miRNA-21 and a tumor cell. In the present disclosure, a dual-mode detection of ratiometric detection and fluorescence Raman detection of the tumor cell marker miRNA-21 and the tumor cell is conducted in combination with amplification of a 3D DNA Walker nanomachine and a DNA tetrahedron nanoprobe.



21: 2021/08125. 22: 2021/10/22. 43: 2021/12/03
 51: A01M
 71: Sichuan Tobacco Company Guangyuan Company, Institute of Agricultural Resources and Environment, SAAS
 72: FAN, Hongzhu, MU, Mingxin, YU, Shikang, HE, Jixian, GU, Huizhan, CHEN, Qingrui, ZHANG, Xiao, LI, Changke, ZHANG, Qili, WANG, Dong, SUN, Zhipu, SHI, Ji'an, ZHAO, Hu, YUAN, Xinyu, HU, Yue

54: SPRAYING DEVICE FOR TOBACCO PLANTING

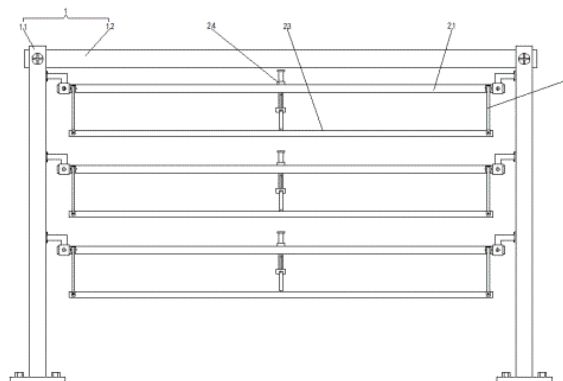
00: -
 The present utility model relates to a spraying device for tobacco planting, including a supporting structure and a pesticide filtering device. The top of the supporting structure is provided with a pesticide filtering device which includes a mixing tank, and a spray irrigation device. The inner side of the mixing tank is rotatably connected with a rotating rod and a threaded rod; the outer side of the rotating rod is fixedly connected with eight groups of stirring rods and the outer side of the threaded rod is in threaded connection with a moving rod; the bottom of the moving rod is fixedly connected with a cleaning brush; the right side of the mixing tank is fixedly connected with a first power device and a second power device; and the left side of the mixing tank is fixedly connected with a sealing device and a collection box.



21: 2021/08126. 22: 2021/10/22. 43: 2021/12/03
 51: A24B
 71: China National Tobacco Corporation Sichuan Company, Institute of Agricultural Resources and Environment, SAAS, Sichuan Tobacco Company Dazhou Company
 72: FAN, Hongzhu, FENG, Wenqiang, HE, Zhengchuan, CHEN, Qingrui, YIN, Hongbo, YANG, Weili, ZHANG, Xiao, LI, Changke, YUAN, Xinyu, HU, Yue, ZHAO, Yu, QIN, Yanqing, XIE, Liangwen
54: AIR-PERMEABLE HOOK RAIL DEVICE FOR TOBACCO LEAF AIRING

00: -
 The present utility model relates to an air-permeable hook rail device for tobacco leaf airing. The device includes a supporting frame assembly, an inner side of which is provided with an airing mechanism. The

airing mechanism includes a transverse rod; front and rear surfaces of left and right sides of the transverse rod are movably provided with connection rods; ends of the two connection rods respectively on the front side and the rear side away from the transverse rod are fixedly connected with spreading rods; a threaded tube is embedded into the middle position of an upper surface of the transverse rod and is internally in threaded connection with a threaded rod; a lower surface of the threaded rod is movably provided with a movable seat; and a telescopic rod is fixedly connected between the upper surface of the movable seat and the lower surface of the transverse rod.



21: 2021/08127. 22: 2021/10/22. 43: 2021/12/03
 51: C12Q
 71: TOBACCO RESEARCH INSTITUTE OF CHINESE ACADEMY OF AGRICULTURAL SCIENCES, China Tobacco Central South Agricultural Experimental Station
 72: LIU, Guoxiang, LI, Yangyang, FENG, Quanfu, ZHANG, Xingwei, YANG, Jiashuo, LI, Zunqiang, TONG, Ying, ZHOU, Zhicheng, HU, Risheng, YANG, Aiguo, DAI, Peigang, XIANG, Shipeng, LI, Yuan
 33: CN 31: 202011283769.0 32: 2020-11-17

54: METHOD FOR CONSTRUCTING TOBACCO CORE COLLECTION BASED ON GENOMICS AND APPLICATION OF THE METHOD

00: -
 The present disclosure discloses a method for constructing tobacco core collection based on genomics and application of the method, and belongs to the technical field of molecular biology, genomics and germplasm resource science. The method includes the steps: performing simplified genome sequencing on tobacco germplasm

resource populations, adopting sequencing data quality control, SNP detection screening and population stratification analysis, further dividing the whole germplasm resource large population into 200 subpopulations through IBS and K-means analysis, combining random selection in the subpopulations with background screening, and performing constructing to obtain the core collection capable of representing the whole tobacco germplasm resource large group. According to the method, the core collection construction efficiency can be improved, the genetic structure of an original population is well reserved, and the method has important significance in improving the germplasm resource utilization efficiency.



21: 2021/08128. 22: 2021/10/22. 43: 2021/12/03
51: B01D

71: Hefei University of Technology

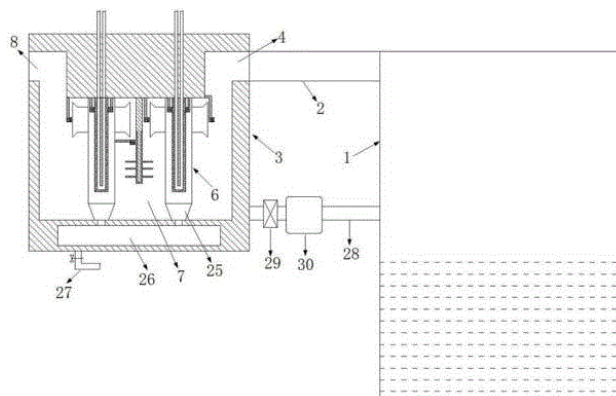
72: Ni Jinjuan, Cui Kangping, Chen Yihan, Guo Zhi, Yang Yongjie, Zhang Hongzhi

54: SEPARATION, INSTALLATION AND SYSTEM METHOD OF ORGANIC SOLVENT FOR FLAT PANEL DISPLAY BASED ON CONDENSATION METHOD

00: -

The invention discloses an organic solvent separation device and a system method for flat panel display based on a condensation method, and relates to the technical field of organic solvent recovery of TFT-LCD. In the invention, a separation chamber is arranged in a separation device, and a gas heat return pipe is connected between the separation device and a main heating device; A plurality of condensation boxes are arranged in the separation chamber, and the ring sides of the condensation boxes are hermetically connected with

the cavity wall surface of the separation chamber; the separation device comprises an auxiliary heating chamber between adjacent condensation boxes; the ring side surface of the non-lower end surface of the upper partition plate is hermetically connected with the inner wall surface of the auxiliary heating chamber; the lower surface of the upper partition plate is embedded and coated with a heating sheet; and the periphery of the heating sheet is connected with a plurality of heating rods distributed in a staggered manner. A low-temperature inner box is arranged in the condensing box. According to the invention, the condensation separation efficiency of the organic solvent in the condensation box is greatly improved, and meanwhile, temperature control detection is arranged at the continuous key position, so that the air flow continuously maintains higher liquefaction efficiency and liquefaction purity of the organic solvent in the separation process.



21: 2021/08130. 22: 2021/10/22. 43: 2021/12/03
51: F15B

71: HUNAN SKYROADN INTELLIGENT TECHNOLOGY CO., LTD

72: LIU, Tao

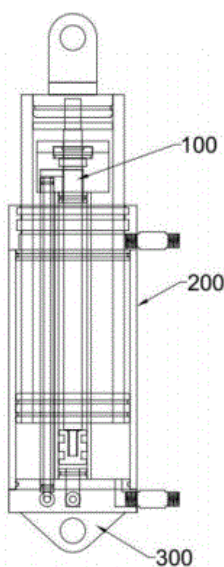
33: CN 31: 202011328249.7 32: 2020-11-24

54: INTELLIGENT ENERGY-SAVING AIR-HYDRAULIC CYLINDER AND INTELLIGENT ENERGY-SAVING AIR-HYDRAULIC CYLINDER POWER SYSTEM

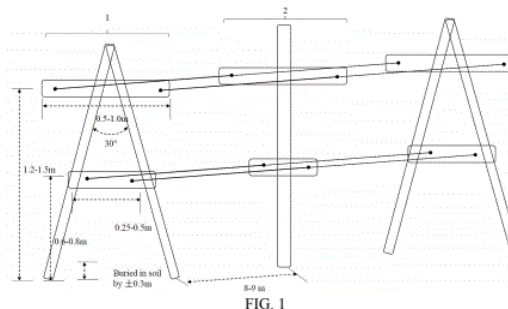
00: -

The present invention discloses an intelligent energy-saving air-hydraulic cylinder, including an oil cylinder, an air cylinder, and a base fixedly connected with an oil cylinder barrel and having a first oil port communicated with the oil cylinder barrel. A male thread is formed in the upper of an oil cylinder piston rod. An air cylinder piston rod is a

hollow tube, communicated inside with a hole in the middle of an air cylinder piston, sleeving the oil cylinder barrel and in sealing connection with a plugging element which is arranged at a top of the air cylinder piston rod and has formed in the lower a threaded hole matched with the upper of the same. A bottom of an air cylinder barrel is fixedly connected with the base and communicated with an air inlet therein. A power system includes a hydraulic oil supply device and a compressed air storage tank.



applying a phosphatic fertilizer to the newly planted Chinese raspberry; applying a three-nutrient compound fertilizer at 30 days and 60 days after planting; and building stone fences or inserting wooden boards on two sides of the ridge.



21: 2021/08131. 22: 2021/10/22. 43: 2021/12/03
51: A01C; A01G
71: ZHEJIANG ACADEMY OF AGRICULTURAL SCIENCES, ZHEJIANG SCI-TECH UNIVERSITY
72: JIN, Liang, LI, Xiaobai, HONG, Yan
33: CN 31: 202110197569.1 32: 2021-02-22

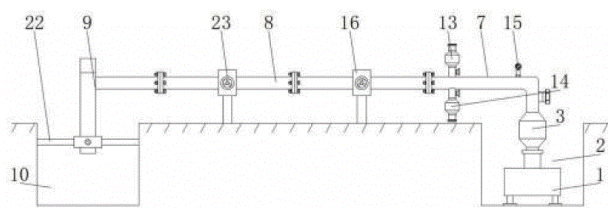
54: PLANTING METHOD FOR CHINESE RASPBERRY FOR LANDSCAPING

00: -
The present disclosure relates to a planting method for a Chinese raspberry for landscaping, including the following steps: carrying out site preparation: testing the pH of soil, adjusting the pH to a range of 6.0 to 6.5, and forming a ridge with a height of 30 cm and a width of 80 cm; preparing a support for a Chinese raspberry hedge in subtropical autumn; trimming the stems of the Chinese raspberry to a height of 8-10 cm before planting; planting the Chinese raspberry directly below parallel paths defined by plastic-covered binding wires in late winter when the Chinese raspberry is dormant;

21: 2021/08132. 22: 2021/10/22. 43: 2021/12/03
51: C02F
71: Jilin Jianzhu University
72: Lu Hai, Wang Jianhui, Wang Xiaoyan, Li Qingpo, Chen Wenluo, Wang Jing
54: SLUDGE PIPELINE CONVEYING DEVICE FOR SEWAGE PLANT AND THE OPERATION METHOD

00: -
This invention discloses sludge pipeline conveying device for sewage plant and operation method thereof which comprises feed inlet which is arranged in the sludge tank and the top end of which is connected with sludge pump. According to the invention, the first motor drives the rotating rollers symmetrically arranged inside the feed inlet to rotate, so that the grinding blades staggered on the rotating rollers pre-grind the sucked in sludge, and then the sludge entering the conveying pipe is more uniform and refined, which ensures the normal transportation of sludge, the sludge concentration meter is used to detect the sludge concentration, and when the sludge concentration is lower than the threshold value, the second water pump is driven to discharge the water in the sludge through the drain pipe, in order to improve the sludge concentration, but, when the sludge is higher than the threshold, the first water pump is driven to inject water into the sludge through the water inlet pipe, in order to reduce the sludge concentration, thus always keeping the optimal concentration of sludge for convenient transportation, ensuring the transportation efficiency of sludge, and closed pipeline transportation. The invention can not only

avoid the environmental pollution caused by sludge leakage, but also effectively relieve the urban traffic pressure.



21: 2021/08133. 22: 2021/10/22. 43: 2021/12/03
 51: A23L; A61K; A61P
 71: Institute of Coastal Agriculture, Hebei Academy of Agriculture and Forestry Sciences, Tangshan Fengnan Jinyu Agricultural Technology Development Co., Ltd.

72: YANG, Yahua, XUE, Zhizhong, WU, Zhe, MENG, Ran, LI, Zhaojia, FENG, Wei, WANG, Xiuping, LU, Xuelin, JIN, Mengke, CHEN, Qingguo

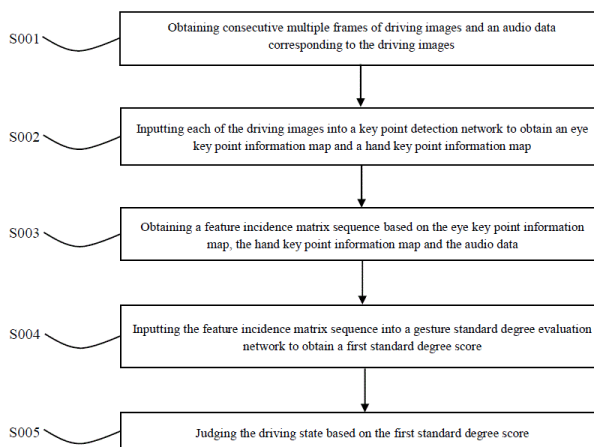
54: ABELMOSCHUS MANIHOT COMPOUND HEALTH DRINK AND PREPARATION METHOD THEREOF

00: -
 The present disclosure relates to an Abelmoschus manihot compound health drink and a preparation method thereof. The raw materials of the health drink comprise, in parts by weight, 5-6 parts of Abelmoschus manihot bud dry powder, 2-4 parts of fried salvia, 1-2 parts of raw panax notoginseng, 1-3 parts of pitted dried jujube slice, 2-4 parts of sorbitol, and 0.05-0.1 part of stevia leaf dry powder. The present disclosure utilizes Abelmoschus manihot buds with high total flavonoids as main component, Panax notoginseng and Salvia miltiorrhiza as auxiliary components, and sorbitol, dried jujube or hawthorn and stevia as reconciling components. It can improve cardiovascular and cerebrovascular and microcirculation functions, and enrich blood and invigorate qi, increase human resistance, activate blood circulation and stimulate meridians, clear away the heart-fire, prevent and treat heart and brain tissue ischemia, regulate the central nervous system in two-way, improve brain power.

21: 2021/08134. 22: 2021/10/22. 43: 2021/12/03
 51: G06K
 71: Zhengzhou Railway Vocational And Technical College
 72: Yuanyuan Hou, Ke Niu, Cong Qiao, Lingjie Meng, Zehao Ni, Anashkina Natalia, Gnativ Marina,

Galuk Alyona, Shestopalova Olga, Dedyayev Stanislav
54: METHOD FOR DETECTING DRIVING STATE OF MOTOR TRAIN DRIVERS BASED ON VIDEO ANALYSIS

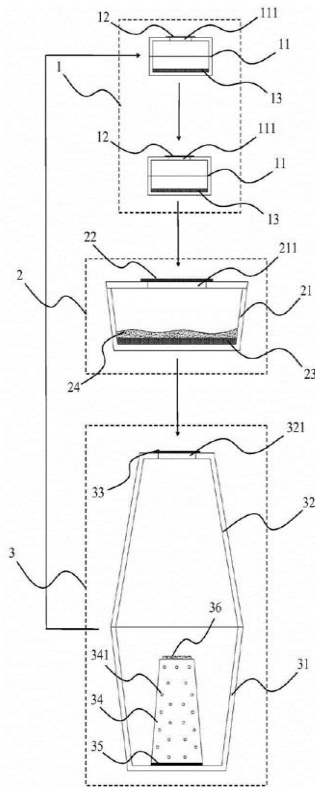
00: -
 The disclosure provides an a method and system for detecting driving state of motor train drivers based on video analysis, including the following steps: inputting each of the driving images of the motor train drivers into a key point detection network to obtain an eye key point information map and a hand key point information map corresponding to each of the driving images of the motor train drivers; obtaining a feature incidence matrix sequence corresponding to each designated gesture action based on the eye key point information map, the hand key point information map and the audio data corresponding to each of the driving images of the motor train drivers; inputting the feature incidence matrix sequence corresponding to each designated gesture action into a gesture standard degree evaluation network to obtain a first standard degree score corresponding to each designated gesture action; and judging the driving state of the motor train drivers during driving based on the first standard degree score. The disclosure can more accurately judge the driving state of the motor train driver during driving.



21: 2021/08135. 22: 2021/10/22. 43: 2021/12/03
 51: A01K
 71: Qingdao Agricultural University
 72: Zhou Hongxu, Tan Xiumei, Teng Ziwen, Zhu Yanfei, Zhou Yuqi, Qi Fangjian, Zhang Tong, Fan Yinjun

54: DEVICE AND METHOD FOR MEASURING LIFE PARAMETERS OF BACTROCERA DORSALIS HENDEL

00: -
 The invention discloses a device and a method for measuring the life parameters of *Bactrocera dorsalis* Hendel, including components for the hatching of *Bactrocera dorsalis* Hendel and larvae living place, pupal and pupal life and emergence place components, as well as egg laying and adult living place components; in the present invention, the life parameters of eggs, larvae, pupae and adults are statistically determined through the above-mentioned device, this experimental device can simply and efficiently determine the life parameters of *Bactrocera dorsalis* Hendel, such as egg production, egg stage, egg hatching rate, larval stage, pupal stage, pupal rate, eclosion rate, sex ratio, etc. In addition, the device materials are easy to obtain, the operation and assembly are convenient, the manufacturing cost is low, the space is small, and it can be reused. At the same time, the present invention provides a corresponding device manufacturing method and measurement method, which is simple, effective, and convenient to operate.

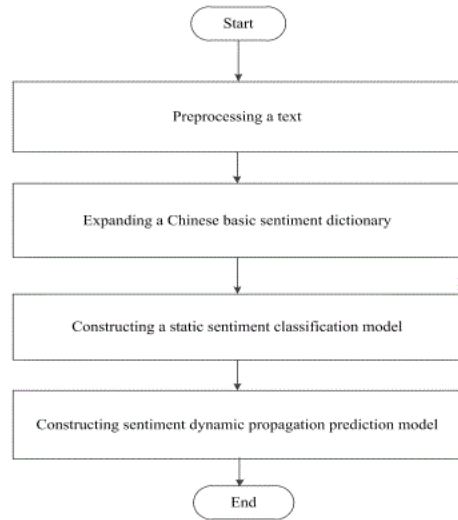


21: 2021/08137. 22: 2021/10/22. 43: 2021/12/03
 51: G06F; G06Q
 71: ANHUI UNIVERSITY OF SCIENCE AND TECHNOLOGY

72: WEI, Zhongliang, ZHANG, Shunxiang, HU, Zhaoya, ZHU, Guangli

54: METHOD OF PREDICTING PUBLIC SENTIMENT ON MICROBLOG TOPICS BASED ON SENTIMENT ANALYSIS

00: -
 The present disclosure provides a method of predicting public sentiment on microblog topics based on sentiment analysis, including following: step 1, preprocessing a text; step 2, expanding a basic sentiment dictionary by adopting an SO-PMI algorithm; step 3, constructing a static sentiment classification model; and step 4, constructing an sentiment prediction model based on a conditional random field. The present disclosure adopts the method of expanding the sentiment dictionary to perform static sentiment analysis, the accuracy of the sentiment analysis is improved, the conditional random field is introduced to construct the sentiment prediction model, public sentiment prediction is performed, which is convenient for the government to supervise the public opinion and the company's evaluation of the product in the market.



21: 2021/08177. 22: 2021/10/25. 43: 2021/12/03
 51: A01G; A24B
 71: Tobacco Research Institute of Chinese Academy of Agricultural Sciences, Chenzhou Branch of Hunan Tobacco Company, Hengyang Branch of Hunan Tobacco Company

72: Zhang Jiguang, Xiao Yansong, Xiao Zhipeng, Zhang Jixu, Shen Minchong, Cao Zhihui, Shan Xuehua, Kong Fanyu, Sun Huiqing, Fang Song, Liu Xue, Song Dean

54: COMPOUND AGENT FOR INHIBITING TOBACCO BUDDING AND INCREASING POTASSIUM CONTENT AND ITS APPLICATION METHOD

00: -

The invention belongs to the technical field of tobacco planting, and in particular relates to a compound agent for inhibiting tobacco budding and increasing potassium content and an application method. Comprising the following components: sodium naphthalene-1-acetate, compound sodium nitrophenolate, maleic hydrazide potassium, sulphate-potassium magnesium, potassium dihydrogen phosphate and sodium salicylate; the mass fraction of each component is, 0.005-0.01 percent of sodium naphthalene-1-acetate, 0.001-0.005 percent of compound sodium nitrophenolate, 0.005-0.01 percent of maleic hydrazide potassium, 0.01-0.05 percent of sulphate-potassium magnesium, 0.1-0.25 percent of potassium dihydrogen phosphate, 0.001-0.01 percent of sodium salicylate and balance of water. Its application methods include spraying method and injecting method. When the compound agent is used for spraying tobacco leaves, the alkyl polyglucoside component with a mass fraction of 0.1-0.5 percent should also be added. The invention provides a multi-effect compound agent that is less restricted by the external environment, can effectively regulate the production of tobacco axillary buds after topping, and can increase the potassium content of tobacco leaves and improve the quality of tobacco leaves. The compound agent is environmentally friendly, non-toxic, harmless, free of pesticide residues, convenient and quick to use, and has a good overall effect.

21: 2021/08178. 22: 2021/10/25. 43: 2021/12/03
51: A23L

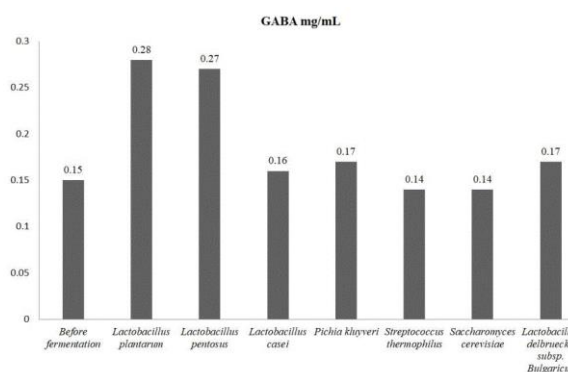
71: Hebei Agricultural University
72: WANG, Xianghong, SANG, Yaxin, WANG, Zhaoling, WEI, Guanmian

33: CN 31: 202011468929.9 32: 2020-12-15

54: LACTIC ACID BACTERIA-FERMENTED YANGJIAOCUI MELON JUICE AND PREPARATION METHOD THEREOF

00: -

The present disclosure provides a lactic acid bacteria (LAB)-fermented Yangjiaocui melon juice and a preparation method thereof. The juice is prepared is prepared by complex fermentation of a Yangjiaocui melon by *Lactobacillus plantarum* and *Lactobacillus pentosus*. By adopting the preparation method provided by the present disclosure, a LAB-fermented Yangjiaocui melon juice, with moderate sweetness-sourness and unique fragrance, is obtained, in order to remove bad flavor easily generated in the processing of the thin-skinned melon juice and enriching gamma-aminobutyric acid (GABA). The LAB-fermented Yangjiaocui melon juice prepared by the present disclosure extends the Yangjiaocui melon industry chain, develops diversified products, and solves the limitation that Yangjiaocui melons are difficult to store and transport.



21: 2021/08179. 22: 2021/10/25. 43: 2021/12/03
51: G01N

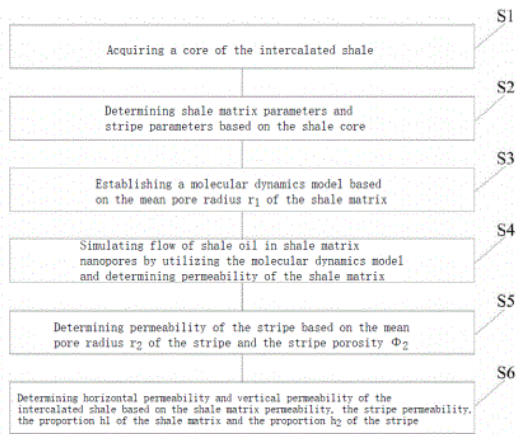
71: China University of Petroleum (East China)
72: WANG, Sen, LIANG, Yipu, FENG, Qihong, YANG, Yuxuan, CHEN, Liyang, CAO, Xiaopeng, LIU, Zupeng, WANG, Xiukun, YANG, Min, LIU, Jingyu, SUN, Tao, GUO, Tiankui, SHI, Xian
33: CN 31: 202110510147.5 32: 2021-05-11

54: METHOD AND SYSTEM FOR DETERMINING ANISOTROPIC PERMEABILITY OF INTERCALATED SHALE

00: -

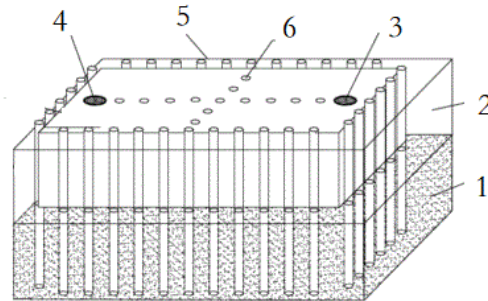
The present invention provides a method and system for determining anisotropic permeability of intercalated shale. The method includes: determining shale matrix parameters and stripe parameters based on a shale core; establishing a molecular dynamics model based on a mean pore radius of the shale matrix; simulating flow of shale oil

in shale matrix nanopores by the molecular dynamics model and determining permeability of the shale matrix; then determining permeability of the stripe based on a mean pore radius of the stripe and stripe porosity; and finally, determining horizontal permeability and vertical permeability based on the shale matrix permeability, the stripe permeability, a proportion of the shale matrix and a proportion of the stripe. In the present invention, in combination with the pore structure based on the shale core and the molecular dynamics model, the flow of shale oil in the shale matrix nanopores is simulated by utilizing the molecular dynamics.



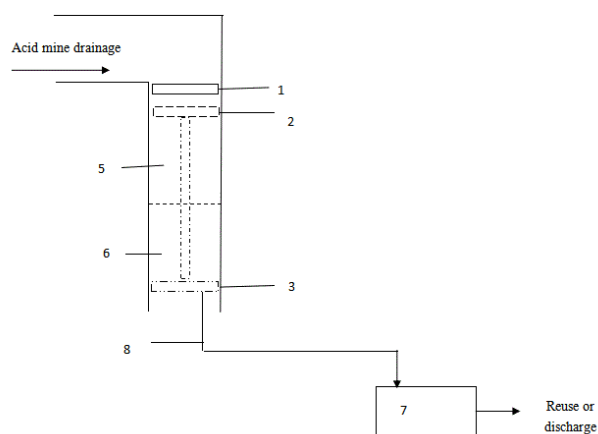
21: 2021/08180. 22: 2021/10/25. 43: 2021/12/03
 51: G01K
 71: Shandong Provincial Bureau of Geology and Mineral Resources (SPBGM), 801 Institute of Hydrogeology and Engineering Geology, SPBGM, Second Institute of Hydrogeology and Engineering Geology, SPBGM, Shandong No.3 Exploration Institute of Geology and Mineral Resources, Shandong Lunan Geological Engineering Survey Institute, No.6 Institute of Geology and Mineral Resources Exploration of Shandong Province
 72: Kang Fengxin, Sui Haibo, Zheng Tingting, Zhang Pingping, Bai Tong, Liu Zhitao, Zhao Jichu, Shi Meng, Zhou Qundao, Yang Yabin, Huang Xing, Zhong Zhennan, Jiang Lulu, Wei Shanming, Shi Qipeng, Ma Zhemin
54: SIMULATION TEST METHOD FOR MONITORING THREE-DIMENSIONAL TEMPERATURE FIELD OF GEOTHERMAL WATER REINJECTION
 00: -

The invention relates to a simulation test method for monitoring a three-dimensional temperature field of geothermal water reinjection, which comprises the following steps: laying a simulation sand tank, wherein clay is used as a water-resisting layer at the upper part, sandstone is used as a thermal reservoir at the lower part, and a plurality of pressure sensors are arranged and numbered in the sandstone. The advantages of the invention: it changes the situation that there is no geothermal well between the exploitation and reinjection wells and around the wells in the actual project; it changes the practice of monitoring the water temperature of geothermal wells at one time in different plane positions and distances, and realizes the spatial thermal storage temperature monitoring that can be done simultaneously and in real time, and in vertical and horizontal directions, as well as the three-dimensional monitoring of the geothermal water temperature field in the operation of the exploitation and reinjection project, which provides scientific and reasonable data support for the study of reasonable well distances under different exploitation and reinjection conditions.



21: 2021/08183. 22: 2021/10/25. 43: 2021/12/03
 51: C02F
 71: China University of Mining and Technology
 72: Li Xiangdong, Bao Wei, Feng Qiyang, Ren Hujun, Li Xibin
54: METHOD FOR TREATING ACID MINE DRAINAGE IN CLOSED COAL MINE
 00: -
 The invention discloses a method for treating acid mine drainage in closed coal mine, which comprises the following steps: firstly, filling a roadway after the coal mine is closed into segments; and after the coal

mine is closed, removing pollutants such as H⁺, suspended matter, iron, manganese, sulfate and the like in the acid mine drainage in the abandoned roadway at the mine wellhead; the treated effluent enters the artificial wetland system, where the remaining pollutants such as H⁺, Fe and Mn are removed by further neutralization, adsorption, filtration, ion exchange and plant absorption. The effluent after wetland treatment can be discharged or reused. This method is simple to operate and utilizes inexpensive materials such as limestone as well as closed coal mine roadways, which saves land and can effectively solve the problem of acid mine drainage pollution from closed coal mines while reducing treatment and maintenance costs.



21: 2021/08184. 22: 2021/10/25. 43: 2021/12/03
51: B01L; G01N
71: Institute of Agro-Food Science and Technology Shandong Academy of Agricultural Sciences
72: Du Pengfei, He Feng, Wang Weiting, Liu Yaobo, Wang Shoujing, Li Tengfei, Ma Yanli, Hu Peng
54: PORTABLE HIGH-SENSITIVITY IMMUNOASSAY KIT FOR RACTOPAMINE AND APPLICATION THEREOF

00: -
The invention relates to the technical field of food safety detection immunoassay, in particular to a portable high-sensitivity immunoassay kit for ractopamine and application thereof. The reagent kit comprises a ractopamine standard substance, a ractopamine magnetic nanoprobe, a ractopamine nanogold nanoprobe and an ssDNA- invertase conjugate. The method can specifically and quantitatively detect the ractopamine content, and has the advantages of simplicity, rapidity, sensitivity, specificity, stability and the like. In addition, the

detection system according to the invention is an open operation, simple and fast, and is especially suitable for popularization and use by mass quality inspection institutions, thus providing a very valuable detection means for food safety detection. The reagent kit provided by the invention is combined with a portable blood glucose meter, so that the sensitivity is greatly improved by detecting the glucose signal value corresponding to the rolling circle DNA, and a more sensitive, rapid and reliable basis can be provided for the detection of ractopamine in food.

21: 2021/08185. 22: 2021/10/25. 43: 2021/12/03
51: B01J

71: Shihezi University
72: Li Xueqin, Cheng Yun, Fan Yingying, Wei Zhong
54: PREPARATION AND APPLICATION OF MOLECULARLY IMPRINTED COMPOSITE MEMBRANE BASED ON THE CAGE-SHAPED FILLERS

00: -
The invention discloses preparation and application of a molecularly imprinted composite membrane based on cage filler, and relates to the technical field of separation of acteoside. The present invention includes the following steps: step 1: modifying the surface of a polyvinylidene fluoride membrane (PVDF) to form a thin layer of polydopamine (pDA) to obtain a pDA modified PVDF membrane; step 2: use pDA to modify PVDF membrane to prepare NH₂-POSS-PVDF membrane; step 3: add the template molecule and the functional monomer to the solvent to obtain a pre-polymerization reaction solution; step 4: add a crosslinking agent and an initiator to the pre-polymerization reaction solution to obtain a casting solution; step 5: put the NH₂-POSS-PVDF membrane into the casting solution, then deoxidize, heat up for polymerization, and obtain the imprinted membrane; step 6: the imprinted composite membrane is eluted with the eluent to obtain the molecularly imprinted composite membrane. According to the invention, phenylethanoid glycosides in *Cistanche tubulosa* are separated and purified by the specific recognition effect of the phenylethanoid glycosides molecularly imprinted composite membrane, and the separation performance and stability of the molecularly imprinted membrane are improved.

21: 2021/08186. 22: 2021/10/25. 43: 2021/12/03
51: G01N

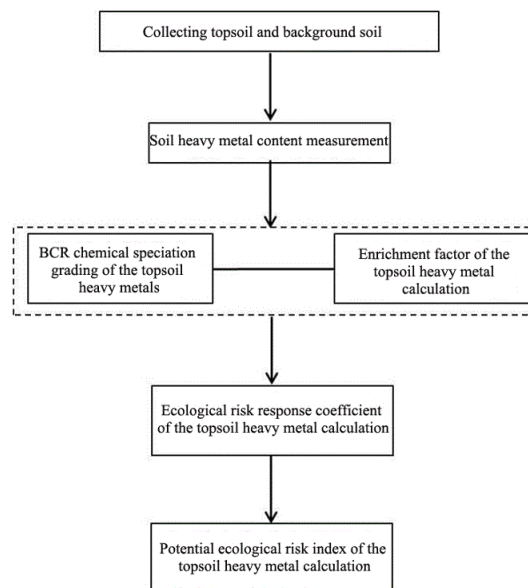
71: LINYI UNIVERSITY

72: JIAO, Wei, LI, Bao

54: ASSESSMENT METHOD OF POTENTIAL ECOLOGICAL RISKS OF HEAVY METALS IN TOPSOIL OF A FARMLAND REGION

00: -

The present invention discloses an assessment method of potential ecological risks of heavy metals in topsoil of a farmland region, distributing sampling points in a form of a grid, collecting topsoil and underlying background soil in the farmland region, and measuring content values of heavy metals; extracting chemical speciation of the heavy metals in the topsoil of all the sampling points in the region by BCR, and determining chemical speciation risk grades of different heavy metals; calculating enrichment factor values of different heavy metals in the topsoil of all the sampling points in the region; determining ecological risk response coefficients of different heavy metals in the topsoil of all the sampling points according to the chemical speciation risk grades and the enrichment factor calculation results; and calculating potential ecological risk index of an individual heavy metal and a plurality of heavy metals in the topsoil of the farmland region based on the potential ecological risk index and applying an improved potential ecological risk index method. And a beneficial effect of the present invention is to assess accurately the potential ecological risks of heavy metals in topsoil of a farmland region.



21: 2021/08187. 22: 2021/10/25. 43: 2021/12/03
51: G01N

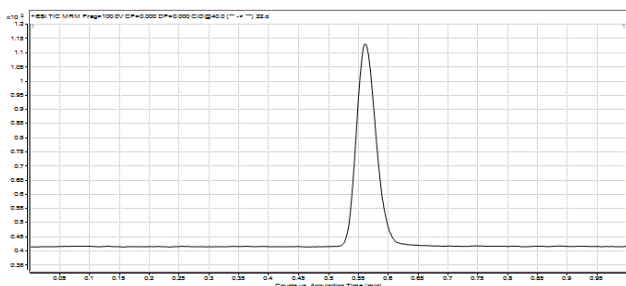
71: Shandong Academy of Pesticide Sciences

72: Feng Yizhi, Liang Lin, Bian Yanli, Zhang Aijuan,
Pan Jinju, Han Jifeng, Ma Xingang, Qi Xiaoxue

54: HPLC-MS/MS DETERMINATION METHOD FOR FLURIDONE RESIDUE

00: -

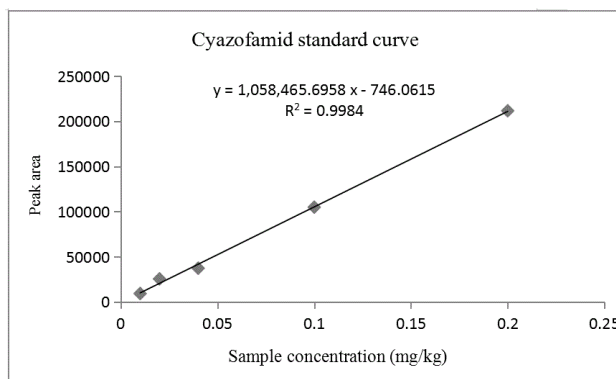
The invention discloses a HPLC-MS/MS determination method for fluridone residue, which belongs to the technical field of pesticide residue determination, and the specific scheme is as follows: (1) extraction: crushing a sample, adding solvent, and performing vortex extraction and centrifugation; (2) purification: taking supernatant and purifying to obtain sample solution; (3) making a standard curve; (4) determining and calculating the fluridone residue in the sample. According to the invention, a sample pretreatment method which is simple, rapid and can effectively avoid matrix interference in the sample is established by using a dispersed solid phase extraction technology, and the pretreatment method is combined with HPLC-MS/MS to apply to qualitative confirmation and quantitative detection of fluridone in cottonseed, cotton plants and soil. The average recovery rate is 74.0 percent-108.8 percent, the average relative standard deviation (RSD) is 0.9 percent-7.1 percent, and the detection limit is lower than 1.5 microgram/kg. The method has the advantages of simple operation, rapidity, accuracy, high sensitivity and good repeatability.



21: 2021/08188. 22: 2021/10/25. 43: 2021/12/03
51: G01N

71: Shandong Academy of Pesticide Sciences
72: Liang Lin, Feng Yizhi, Bian Yanli, Zhang Aijuan, Pan Jinju, Han Jifeng, Ma Xingang, Qi Xiaoxue
54: METHOD FOR DETERMINING CYAZOFAMID AND ITS METABOLITE RESIDUES BASED ON HPLC-MSMS METHOD

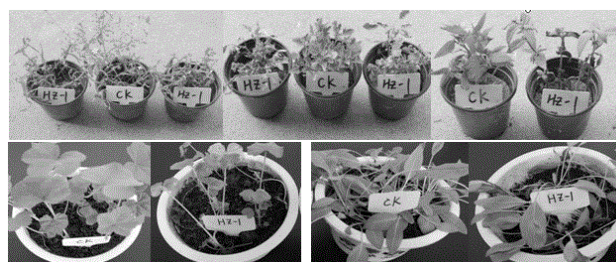
00: -
The method for determining the residual amount of cyazofamid and its metabolite based on the HPLC-MSMS method of the invention utilizes the dispersed solid phase extraction technology to establish a simple and rapid sample pretreatment method which can effectively avoid matrix interference in samples, and applies the pretreatment method in combination with HPLC-MS/MS to qualitative confirmation and quantitative detection of cyazofamid and its metabolite CCIM in potatoes and soil. The residual amount of cyazofamid and its metabolite CCIM can be quickly detected, and the whole method has high recovery rate and good repeatability, and the average recovery rate reaches 86.1-98.2 percent, the average relative standard deviation (RSD) is 2.0-6.9 percent, and the detection limit is lower than 1.5 microgram/kg, which has the advantages of simple operation, rapidness, accuracy, high sensitivity and good repeatability. Furthermore, it can meet the United States, Japan, the European Union, the Codex Alimentarius Commission (CAC) and other corresponding food safety detection of 0.02, 0.05, 0.01mg/kg residue limit, and will provide strong technical support to protect the food safety of people and the healthy development of foreign export trade.



21: 2021/08189. 22: 2021/10/25. 43: 2021/12/03
51: A01N

71: Qinghai Academy of Agriculture and Forestry Sciences
72: Zhu Haixia, Ma Yongqiang, Cheng Liang
54: PREPARATION METHOD OF WETTABLE POWDER OF ALTERNARIA TENUISSIMA STRAIN

00: -
Disclosed are a wettable powder of Alternaria tenuissima strain and its preparation method. The wettable powder mainly comprises the following components in percentage by mass: 30-40 percent of HZ-1 bacterial powder, 45-55 percent of carrier, 3-8 percent of protective agent, 4-8 percent of dispersant, 0.5-1.5 percent of stabilizer and 1-5 percent of wetting agent. The wettable powder provided by the disclosure has outstanding pathogenic effect on Lepydodictis holosteoides, Chenopodium album and Elsholtzia densa Benth.



21: 2021/08190. 22: 2021/10/25. 43: 2021/12/03
51: A23F

71: Bozhou University
72: Pu Shunchang, Lu Ning, Zhang Yu, Fan Fei, Yao Huajiao, Li Shuping, Wang Peng
54: PREPARATION METHOD OF TRADITIONAL CHINESE MEDICINE HEALTH-PRESERVING COFFEE DRINK

00: -
The invention disclose a preparation method of traditional Chinese medicine health-preserving

coffee, and belongs to that technical field of health-preserving drink. The method comprises the following steps: the traditional Chinese medicine health coffee is prepared from the following raw materials in parts by weight: 10-20 parts of coffee beans, 5-15 parts of yam, 2-5 parts of chrysanthemum morifolium, 2-5 parts of hawthorn, 1-4 parts of lotus leaf, 0.5-2 parts of medlar, 1-3 parts of raspberry and 1-3 parts of mulberry; The preparation method comprises the following steps: weighing all Chinese medicinal materials according to parts by weight, and micronizing to obtain Chinese medicinal powder; Raw coffee processing: removing impurities from raw coffee, baking at 70-120 degree Celsius for 20-60 min, then pulverizing, adding water to make pulp, grinding for 3-5 times, and grinding to 100-300 meshes; Mixing and homogenizing: uniformly mixing the above Chinese medicinal powder and slurry, and homogenizing in a high-pressure homogenizer; Grinding and subdividing the homogenized slurry again; Leaching, etc. The health coffee prepared by the method of the invention integrates the natural plants with the same medicine and food, complements each other, and has the effects of refreshing, calming liver and improving eyesight, reducing blood fat, promoting salivation and quenching thirst, nourishing yin, losing weight and the like.

21: 2021/08192. 22: 2021/10/25. 43: 2021/12/03
51: A61B

71: Soochow University

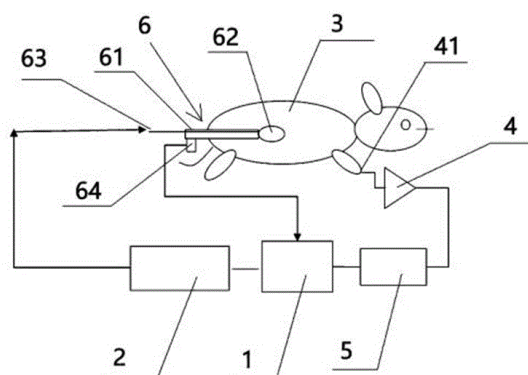
72: Xu Guangyin, Shen Biyu, Hu Shufen, Zhang Hailong, Wang Jian, Sun Qian, Li Yongchang

54: PAIN SIGNAL DETECTION DEVICE BASED ON ANIMAL BODY COMMUNICATION AND DETECTION METHOD THEREOF

00: -

The application discloses a pain signal detection device based on animal body communication and a detection method thereof, which comprises a processor, a pulse signal generator, an animal body communication module, a signal detection amplifier and an analog-to-digital converter. The pulse generator can generate pulse signals; the pulse is transmitted to the processor from the animal body communication module, the signal detection amplifier and the analog-to-digital converter in turn. The processor reflects the pain intensity by

analyzing the response curve of the received pulse signal. The electrical impedance of human body (including resistance and reactance) can be equivalent to a resistance-capacitance network (R-C network). The organization is different, so its resistance and capacitance parameters also change. The method is based on the change of human body electrical impedance caused by human body stress reaction (tissue movement), so its resistance-capacitance parameters will also change, and when the step function acts on different R-C network, the response curves are also different, and the pain intensity is reflected by analyzing the response curves.



21: 2021/08193. 22: 2021/10/25. 43: 2021/12/03
51: B05D; C09D; C09K

71: Shanghai Jiao Tong University

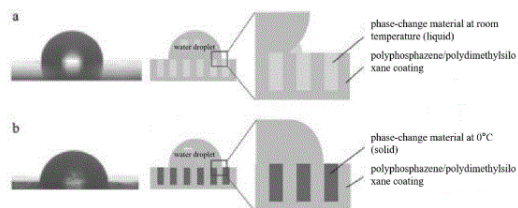
72: HUANG, Xiaobin, LIU, Hong, LI, Xiaofei, KONG, Weiliang

54: METHOD FOR REALIZING ANTI-ICING OF AIRCRAFT SURFACE BY LUBRICATING WITH PHASE-CHANGE MATERIAL

00: -

The present disclosure discloses a method for realizing anti-icing of an aircraft surface by lubricating with a phase-change material, comprising blending n-hexane, a polydimethylsiloxane prepolymer, a curing agent and polyphosphazene microspheres to obtain a mixture, then coating the mixture on a target surface, drying and curing to obtain a polyphosphazene/polydimethylsiloxane coating; injecting the phase-change material into the polyphosphazene/polydimethylsiloxane coating until adsorption is saturated, to prepare an aircraft anti-icing surface lubricated by the phase-change material. The present disclosure simply blends polydimethylsiloxane with the polyphosphazene

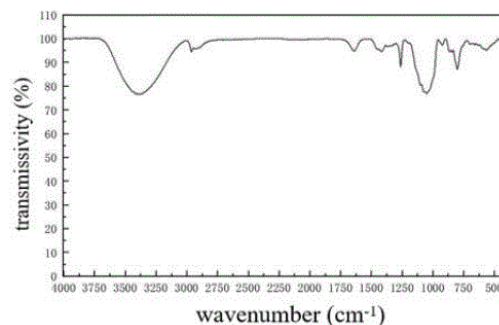
microspheres to construct a porous structure with good elasticity, low surface energy and chemical stability, and then injects a suitable phase-change material to obtain the anti-icing surface lubricated by the phase-change material with excellent anti-icing performance and excellent durability. The method is simple, convenient, low-cost, and practical, which has great application potential in preventing the aircraft from icing.



21: 2021/08194. 22: 2021/10/25. 43: 2021/12/03
51: B64D
71: Shanghai Jiao Tong University
72: HUANG, Xiaobin, LIU, Hong, LI, Xiaofei, KONG, Weiliang

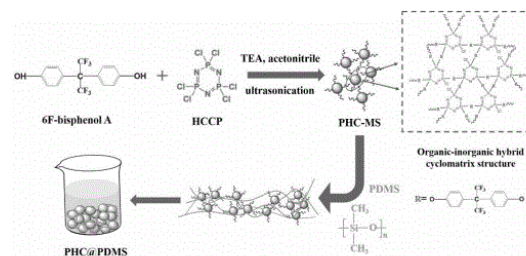
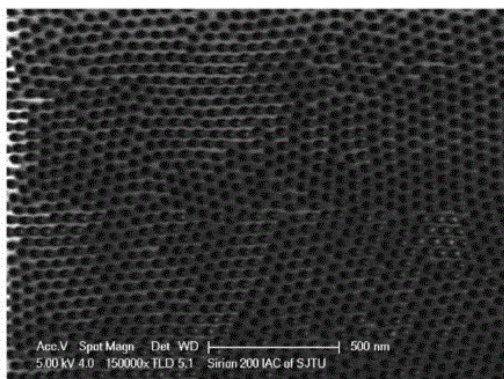
54: METHOD FOR REALIZING ANTI-ICING OF AIRCRAFT SURFACE BY LUBRICATING WITH MAGNETO-SENSITIVE POROUS ANTI-ICING COMPOSITE MATERIAL

00: -
The present disclosure discloses a method for realizing anti-icing of an aircraft surface by lubricating with a magneto-sensitive porous anti-icing composite material, comprising uniformly mixing a mixture of a polydimethylsiloxane prepolymer and a curing agent with toluene, saccharides, a magnetic nanoparticle and dimethicone, then drying and curing to obtain a precursor of the magneto-sensitive porous anti-icing composite material; performing solvent exchange of the precursor with an aqueous ethanol solution repeatedly, and then drying to obtain the magneto-sensitive porous anti-icing composite material; adhering the magneto-sensitive porous anti-icing composite material on a target surface via an adhesive; after the adhesive is completely cured, adding a magnetic fluid on a surface of the magneto-sensitive porous anti-icing composite material until that adsorption is saturated, to obtain an aircraft anti-icing surface lubricated by the magneto-sensitive porous anti-icing composite material.



21: 2021/08195. 22: 2021/10/25. 43: 2021/12/03
51: B32B
71: Shanghai Jiao Tong University
72: LIU, Hong, HUANG, Xiaobin, KONG, Weiliang, LI, Xiaofei
54: AIRCRAFT ANTI-ICING COMPOSITE MATERIAL AND PREPARATION METHOD THEREOF

00: -
The present disclosure discloses an aircraft anti-icing composite material and a preparation method thereof. The composite material is of a multilayer structure having, in order from above, a substrate, a sheet, and a permanent magnet. The substrate is composed of anodic aluminum oxide one-way porous material absorption magnetic fluids; the sheet is one of a polymethyl methacrylate plate or an aluminum plate; the bottom surface of the substrate is bonded with the sheet through an adhesive; the permanent magnet is bonded with the bottom surface of the sheet through an adhesive. The composite material disclosed by the present disclosure is excellent in anti-icing performance, ice can barely adhere to the substrate, formed ice can be very easily removed from a surface, in addition, the anti-icing service life is long, nearly 70 times of icing and deicing circulation can be endured.



21: 2021/08196. 22: 2021/10/25. 43: 2021/12/03
51: C09D

71: Shanghai Jiao Tong University
72: HUANG, Xiaobin, LIU, Hong, LI, Xiaofei, KONG, Weiliang

54: SUPER-HYDROPHOBIC COATING COMPOSITE MATERIAL FOR ANTI-ICING AND DE-ICING AND PREPARATION METHOD THEREOF

00: -

The present disclosure discloses a super-hydrophobic coating composite material for anti-icing and de-icing and a preparation method thereof. The obtained material has a contact angle of greater than 150 degrees and a thickness of 2 to 5 micrometre, and the surface of the material has a rough concave-convex micro-nano structure; wherein polydimethylsiloxane (PDMS) is adopted as an adhesive, and is subjected to a one-step polymerization reaction with cyclocrosslinked polyphosphazene microspheres, and dip-coating, brushing or spraying is performed on the surface of a substrate to obtain the material. The surfaces of the cyclocrosslinked polyphosphazene microspheres have a -CF₃ group-rich surface and an average diameter of 0.5 to 2 micrometre, and the mass ratio of the cyclocrosslinked polyphosphazene microspheres to PDMS is 1 to 3: 5. The obtained super-hydrophobic coating composite material has lotus leaf super-hydrophobic self-cleaning performance, shows good self-cleaning and anti-icing performance in a wet and cold environment.

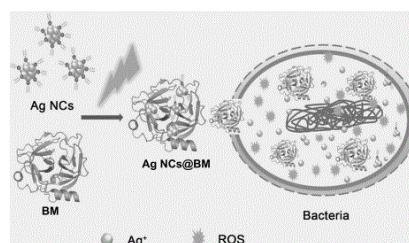
21: 2021/08238. 22: 2021/10/26. 43: 2021/12/03
51: A01N; C08G; A01P

71: Qingdao University of Science and Technology
72: YUAN, Xun, FAN, Xiaofan, GUO, Chenyu, DOU, Xinyue

54: PHOTO-ASSISTED SILVER NANOCUSTER-BIOMACROMOLECULE COMPOSITE ANTIBACTERIAL AGENT

00: -

The present disclosure provides a preparation method of a photo-assisted silver nanocluster-biomacromolecule composite antibacterial agent, and pertains to the technical field of antibacterial materials. In the present disclosure, silver nanoclusters are encapsulated in the biomolecules (such as a culture medium required for bacterial culture) by illumination to synthesize a new silver cluster-based composite antibacterial agent, and the bacterial targeting and endocytosis efficiency of the antibacterial agent are improved by utilizing preference of bacteria to biomolecules, so as to further improve the sterilization effect and realize broad-spectrum antimicrobial activities. In addition, the synthesized silver cluster-based antibacterial agent can be mixed or modified with various rubber, color master-batches, paints, fabrics and other materials to form an antibacterial composite material.



21: 2021/08240. 22: 2021/10/26. 43: 2021/12/03
51: G01K; G01V

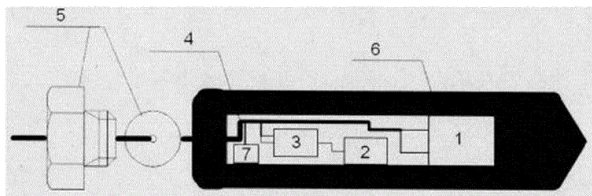
71: Anhui University Science and Technology

72: Ouyang Mingsan, Bai Fangyan, Guo Laigong, Zhu Chengjie, Liang Zhe

54: ALL-IN-ONE SENSOR FOR UNDERGROUND EXPLORATION

00: -

The invention discloses an all-in-one sensor for underground exploration, which is characterized by comprising a microseismic sensor, a temperature sensor, a temperature sensor conversion circuit, a copper electrode, a sealing and a transmission cable. According to the invention, the problems that a plurality of sensors need to be installed (buried) for many times in advance exploration in coal mining are solved, signals can be provided for microseismic detection, electrical measurement and temperature measurement, and installation convenience and working efficiency are greatly improved.



21: 2021/08241. 22: 2021/10/26. 43: 2021/12/03
51: E02D

71: Ocean University of China, Qingdao Geological Engineering Survey Institute (Qingdao Geological Exploration Development Bureau), Qingdao Geology and Minerals Rock and Soil Engineering Co., Ltd
72: Liu, Honghua, Liu, Hongjun, Liu, Kai, Wang, Zhongsheng, Yan, Jun, Xu, Hongbing, Jia, Shixiang, Wang, Tonghong

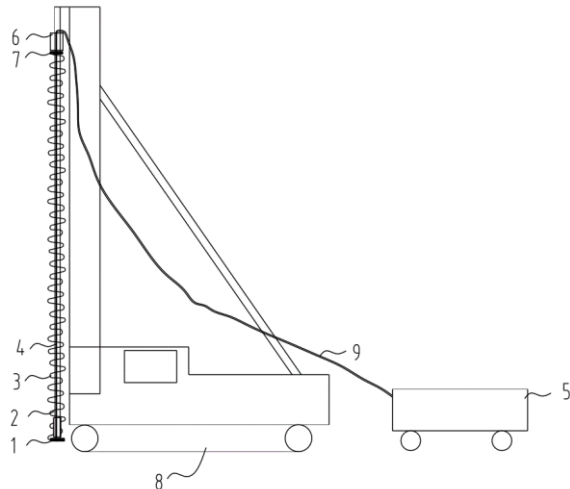
33: CN 31: 202011231420.2 32: 2020-11-06

54: EFFICIENT AND ENVIRONMENTALLY-FRIENDLY LONG SPIRAL ROCK-SOCKETED PILE DRIVER

00: -

The invention belongs to the technical field of geotechnical engineering, and particularly relates to an efficient and environmentally-friendly long spiral rock-socketed pile driver. The efficient and environmentally-friendly long spiral rock-socketed pile driver comprises a high-power power head disposed at the top of a drilling machine, and a long spiral drilling machine drill stem provided with a spiral blade. An external air supply pipe is disposed outside the long spiral drilling machine drill stem and penetrates through the spiral blade along an outer wall of the long spiral drilling machine drill stem. A

drill bit is disposed at an end of the long spiral drilling machine drill stem. The invention has the following beneficial effects: by improving the structure of the long spiral drilling machine drill stem, the rock drilling efficiency may be 5-10 times that of traditional long spiral drilling machines, and the single-pile bearing capacity of cast-in-place piles formed through boring by this process may be improved by over 15 percent; high-pressure compressed air blows rock debris and rock powder generated at the bottom of a hole during drilling away from a contact surface between the drill bit and original rock, so that the rock cutting and breaking capacity of drill teeth is improved, and the rock drilling efficiency is improved; and when returning, the high-pressure air supplied to the bottom of the hole can effectively decrease the temperature of the drill bit and the drill stem.



21: 2021/08242. 22: 2021/10/26. 43: 2021/12/03
51: C25D

71: Yancheng Institute of Technology

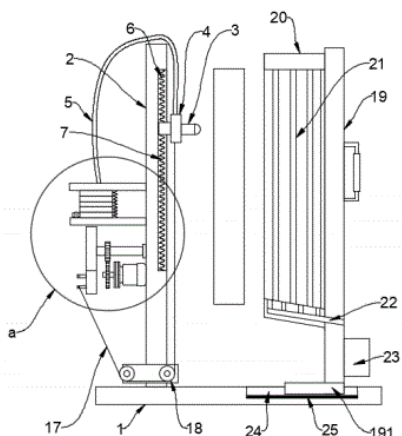
72: XIA, Wensheng, XU, Tongtong

54: RECIPROCATING WATER BLOWING DEVICE FOR ELECTROPLATED PENDANT

00: -

The present invention provides a reciprocating water blowing device for an electroplated pendant, including a base, a gas sprayer, a gas collecting member, a gas supply component, a driving component, and an air-shield condensation component. A first bracket is mounted on the base. The gas sprayer is slidably connected with the first bracket through the gas collecting member. The gas supply component is configured to supply gas at a certain temperature required for blow-drying to the

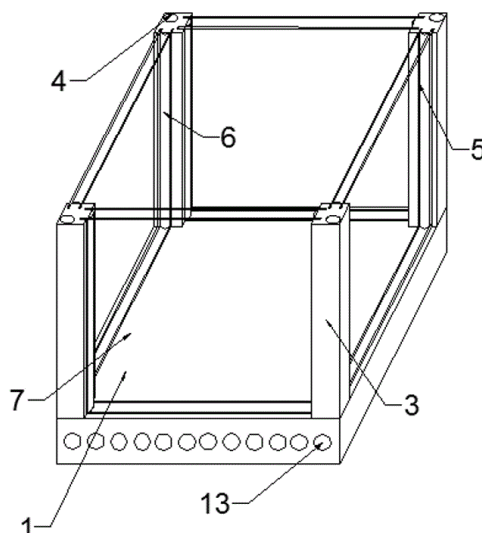
gas sprayer. The driving component is configured to drive and start the gas supply component for gas supply. When the gas supply component starts to supply gas, the gas collecting member slidably reciprocates on the first bracket. The air-shield condensation component is opposite to the gas sprayer for condensing gas obtained by water blowing to recover water in the gas. A gap is provided between the air-shield condensation component and the gas sprayer.



21: 2021/08246. 22: 2021/10/26. 43: 2021/12/03
 51: A01G; A47F
 71: Southwest University of Science and Technology
 72: ZENG, Mingying, XIAN, Qingsong
 33: CN 31: 202110262051.1 32: 2021-03-10
54: A SAMPLE DISPLAY DEVICE FOR LANDSCAPE DESIGN

00: -
 The invention discloses a sample display device for landscape design, relating to the technical field of display device, comprising: bottom plate, the corners of the upper surface of the bottom plate are provided with downward plugs, the outside of the plugs are all installed with plug racks, the plug rack is provided with sockets that run through its upper and lower surfaces, the opposite surfaces of two plug racks are designed with two sliding grooves, plug-in boards are inserted between the two sliding grooves, LED light bars are installed between the sliding grooves on the same surface of the plug racks; the invention provides a sample display device for landscape design, which realizes a combination of three display ways: paper display, electronic display and physical display; additionally, the display device itself adopts

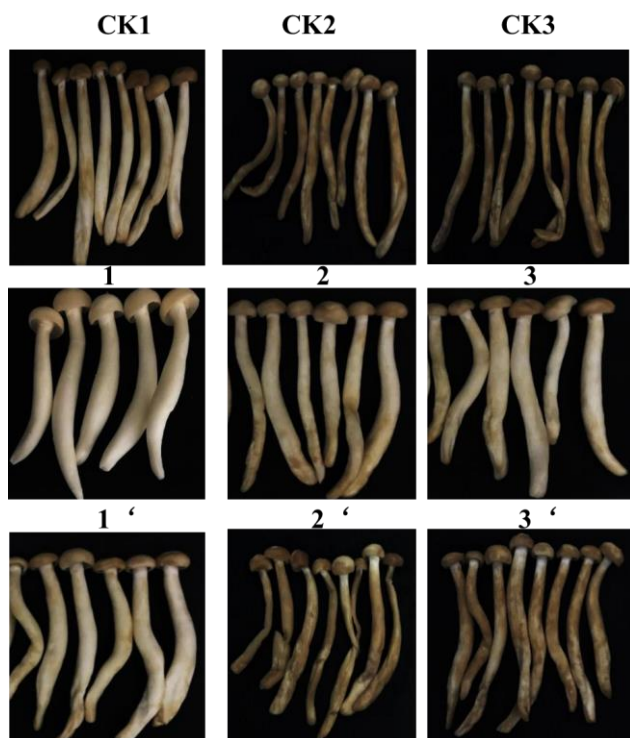
an assembled structure, which is convenient to disassemble and assemble.



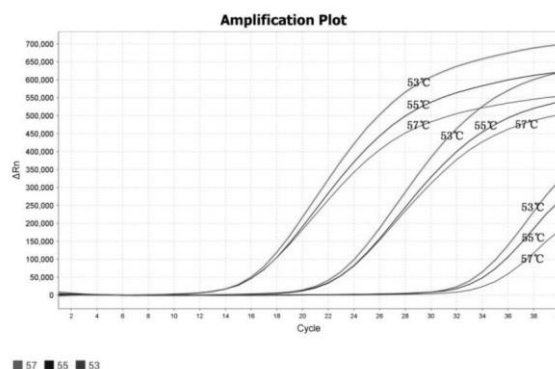
21: 2021/08248. 22: 2021/10/26. 43: 2021/12/03
 51: A01N
 71: QINGDAO AGRICULTURAL UNIVERSITY
 72: CHENG, Fan-Sheng
 33: CN 31: 202011228256.X 32: 2020-11-06
54: BACILLUS SUBTILIS, PREPARATION FOR PREHARVEST TREATMENT ON EDIBLE FUNGI AND APPLICATION THEREOF

00: -
 The present invention relates to the technical field of biological engineering. The present invention discloses a Bacillus subtilis strain, a preparation for preharvest treatment on edible fungi and application thereof. This strain is named B. subtilis NYB169, and has been deposited in the China General Microbiological Culture Collection Center with the Accession No. CGMCC 20186. The Bacillus subtilis can be used for preparing a preparation for preharvest treatment on edible fungi, which includes the culture of the above Bacillus subtilis, L-arginine, L-cysteine, methyl jasmonate, Methyl salicylate, thyme essential oil, tea polyphenols and CaCl₂. The preparation for preharvest treatment on edible fungi can be well combined with postharvest storage means, which can not only effectively inhibit the generation of aerial hyphae of edible fungi after harvest, but also prevent contamination of Pseudomonas and Trichoderma, reduce the browning and softening autolysis of mushrooms, so

as to improve the postharvest storage quality of edible fungi.



and can be suitable for any sample containing the Echinococcus, eggs of the Echinococcus or larvae of the Echinococcus.



21: 2021/08250. 22: 2021/10/26. 43: 2021/12/03
 51: C12Q
 71: TIANTECH INSTITUTE OF BIOTECHNOLOGY (ZHUHAI) CO., LTD.
 72: LI, Xiong, XU, Bowen, LI, Yuquan, ZHAO, Hongjie, ZHAO, Fuzhen, LI, Hanxue, ZHOU, Aobaixue, JIANG, Xiaoxia, CHEN, Shengyou, LUO, Baozheng

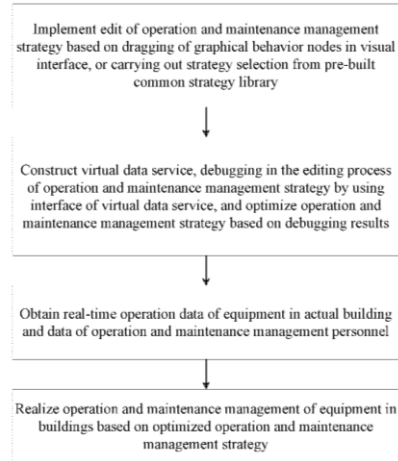
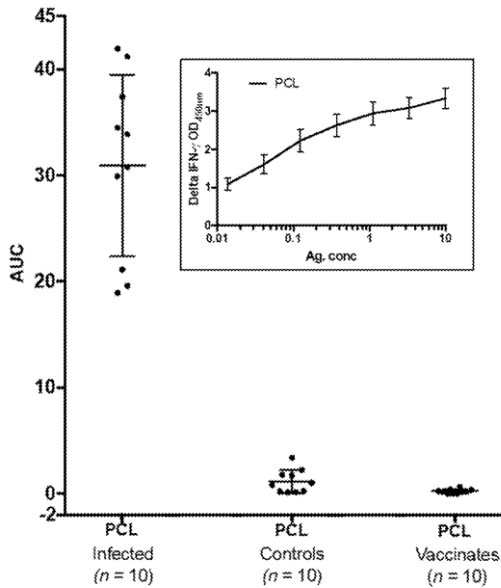
54: PRIMER AND PROBE FOR DETECTING ECHINOCOCCUS AND KIT THEREOF

00: -
 he present invention discloses a primer and a probe for detecting Echinococcus and a kit thereof. The kit includes a forward primer with a nucleotide sequence shown as SEQ ID No. 1, a reverse primer with a nucleotide sequence shown as SEQ ID No. 2 and the probe with a nucleotide sequence shown as SEQ ID No. 3. The 5' end and the 3' end of the probe are provided with a fluorescence reporter group and a fluorescence quencher group respectively. The primer and the probe can specifically amplify and recognize COX3 gene fragments of the Echinococcus, and a detected lowest concentration is 101-copy orders of magnitude. The kit is rapid, efficient and sensitive

21: 2021/08276. 22: 2021/10/26. 43: 2021/11/18
 51: C07K; G01N
 71: THE PENN STATE RESEARCH FOUNDATION, THE SECRETARY OF STATE FOR ENVIRONMENT, FOOD AND RURAL AFFAIRS
 72: KAPUR, Vivek, SRINIVASAN, Sreenidhi, VORDERMEIER, Hans, JONES, Gareth
 33: US 31: 62/832,034 32: 2019-04-10
 33: GB 31: 1906193.6 32: 2019-05-02

54: DIAGNOSTIC REAGENTS

00: -
 There is provided a skin test diagnostic reagent comprising: at least one 40mer polypeptide consisting of any one of SEQ ID NOs: 1, 3 or 4; at least one 40mer polypeptide consisting of any one of SEQ ID NOs: 7 or 8; and at least one 40mer polypeptide consisting of any one of SEQ ID NOs: 10, 11 or 12, characterised in that the reagent elicits a positive result when administered in a skin test to an animal infected with Mycobacterium bovis or Mycobacterium tuberculosis.



21: 2021/08809. 22: 2021/11/09. 43: 2021/11/23
51: G06N

71: SHANDONG TONGYUAN DIGITAL TECHNOLOGY CO., LTD.

72: ZHANG, Yubin, LIU, Pengfei, HE, Xiao

33: CN 31: 202111249603.1 32: 2021-10-26

54: METHOD AND SYSTEM FOR OPERATION AND MAINTENANCE MANAGEMENT BASED ON GRAPHICAL SEMANTIC STRATEGY PROGRAMMING

00: -
The disclosure provides a method and system for operation and maintenance management based on graphical semantic strategy programming, comprising implementing an edit of an operation and maintenance management strategy based on a dragging of graphical behavior nodes in a visual interface, or carrying out a strategy selection from a pre-built common strategy library, wherein the operation and maintenance management strategy includes judgment rules and distribution process; constructing a virtual data service, debugging in the editing process of operation and maintenance management strategy by using an interface of the virtual data service, and optimizing the operation and maintenance management strategy based on the debugging results; obtaining a real-time operation data of equipment in an actual building and a data of operation and maintenance management personnel; realizing the operation and maintenance management of equipment in the buildings based on the optimized operation and maintenance management strategy.

21: 2021/08810. 22: 2021/11/09. 43: 2021/11/23
51: H04L

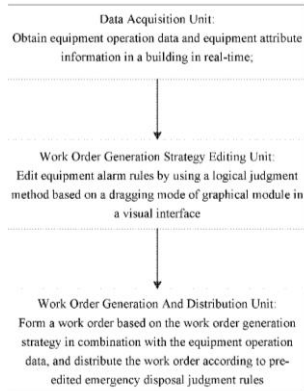
71: SHANDONG TONGYUAN DIGITAL TECHNOLOGY CO., LTD.

72: LIU, Pengfei, HE, Xiao, ZHANG, Yubin

33: CN 31: 202111247925.2 32: 2021-10-26

54: SYSTEM FOR INTELLIGENT WORK ORDER BASED ON GRAPHICAL STRATEGY PROGRAMMING ENGINE AND WORKING METHOD THEREOF

00: -
The present disclosure provides a system for intelligent work order based on graphical strategy programming engine and working method thereof, comprising: a data acquisition unit, being used to obtain equipment operation data and equipment attribute information in a building in real-time; a work order generation strategy editing unit, being used to edit equipment alarm rules by using a logical judgment method based on a dragging mode of graphical module in a visual interface; a work order generation and distribution unit, being used to form a work order based on the work order generation strategy in combination with the equipment operation data, and distribute the work order according to pre-edited emergency disposal judgment rules. The solution realizes the flexible editing of work order generation strategy based on the dragging mode of graphical modules in the visual interface combined with the logical judgment method.



21: 2021/08811. 22: 2021/11/09. 43: 2021/11/23

51: G07C

71: SHANDONG TONGYUAN DIGITAL TECHNOLOGY CO., LTD.

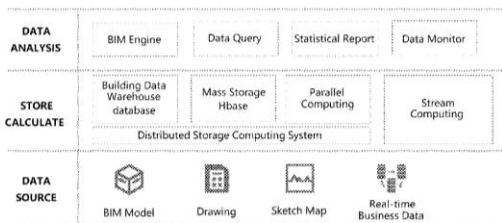
72: LIU, Pengfei, WANG, Xiaolei, DONG, Baofang, WANG, Xiaobin, XIAO, Shaohua

33: CN 31: 202111249630.9 32: 2021-10-26

54: SYSTEM AND METHOD FOR DIGITAL RESIDENTIAL SPECIFICATION BASED ON BIM ENGINE

00: -

The present invention provides a system and method for digital residential specification based on BIM engine, the system at least comprising: a BIM model and a BIM engine; the BIM model, being configured to: including building information data of residence, and geometric information and non-geometric information in the building information data being stored respectively; the BIM engine, being configured to: separating a topology of the BIM model, extracting and displaying corresponding data in the BIM model according to received scene requirements. The present invention, according to the BIM lightweight engine, realizing the directional extraction and display of BIM model data according to the scene requirements, and realizing the fast and accurate search of residential data.



HYPOTHECATIONS

No records available

JUDGMENTS

No records available

OFFICE PRACTISE NOTICES

NOTICE



COMPANIES AND INTELLECTUAL PROPERTY COMMISSION (CIPC)

Taking into consideration that CIPC official office days are Mondays to Fridays and does not include week-ends or public holidays, notice is hereby given in terms of and for purposes of the Acts mentioned in the Schedule below, that CIPC will be closed to the public from **10h00 on Friday 24 December 2021 up to and including Friday 31 December 2021**.

The CIPC Offices at –

- a) the Department of Trade, Industry and Competition (the dtic) (77 Meintjies Street, Block F – Entfufukweni) in Sunnyside, Pretoria;
 - b) 1st floor, Office 103, Sancardia Building, 541 Madiba Street, Arcadia, Pretoria;
 - c) Talis House , No 17 Simmonds street, Cnr Main and Simmonds street, Marshalltown, Johannesburg;
 - d) Norton Rose House No 8, Shop Number 3, , Riebeeck Street, Thibault Square, Cape Town; and
 - e) (CIPC officials) at Trade and Investment KwaZulu Natal (TIKZN) situated at 1 Arundel Close, Kingsmead Office Park, Kingsmead Boulevard, Stalwart Simelane Street in Durban,
- will re-open at 08h00 on Monday 3 January 2022.

The lodgment of documents and services of legal documents will be accepted on Thursday 23 December 2021 until 15h30.

The days from Friday 24 December 2021 up to and including Sunday 2 January 2022 will be regarded as *dies non* for purposes of the stated Acts.

CIPC offers different lodgment / filing methods for certain services to its customers. During this period, services processed by automated means will continue to be processed while those services which require back-office intervention / finalisation e.g. services which require scanned documents to be e-mailed to dedicated e-mail addresses or uploaded via electronic platforms e.g New E-Services, will only resume from Monday 3 January 2022.

Please also take note that with regard to name reservations, all reserved names that would have lapsed between Friday 24 December 2021 up to and including Sunday 2 January 2022, will now have their reservation dates moved forward to Monday 3 January 2022 and will, therefore, only elapse on that date.

SCHEDULE

- Trade Marks Act, 1993
- Patents Act, 1978
- Design Act, 1993
- Copyright Act, 1978
- Companies Act, 2008
- Close Corporations Act, 1984
- Co-operatives Act, 2005
- Registration of Copyright in Cinematograph Film Act, 1977

Kind regards, _____


Rory Voller
29/06/2021 13:18:35 (UTC+02:00)
Signed by Rory Voller,
RVoller@cipc.co.za

Rory Voller
Commissioner: CIPC

The dti Campus (Block F - Entfufukweni), 77 Meintjies Street, Sunnyside, Pretoria | P O Box 429, Pretoria, 0001
Call Centre: 086 100 2472
Website: www.cipc.co.za

3. DESIGNS

DESIGNS**APPLICATIONS FOR REGISTRATION OF DESIGNS IN TERMS OF ACT No. 195 OF 1993**

The particulars appear in the following sequence: Copies of the application and representations cannot be supplied until application is registered and advertised. In all correspondence reference should be made to the number of the application. Application number, full name of applicant, class, articles to which design is to be applied and priority date (if any)

. - APPLIED ON 2021/11/22 -

F2021/01460 - HUNTER, Adrian Robert Class 16. AN OPTICS SUPPORT

F2021/01456 - FORZA ACCESSORIES (PTY) LTD Class 21. BELT

F2021/01458 - DOORS GALORE (PTY) LTD Class 08. DOOR OPENER HOUSING

A2021/01457 - DAIO PAPER CORPORATION Class 2. DISPOSABLE DIAPER

F2021/01459 - HUNTER, Adrian Robert Class 16. AN OPTICS SUPPORT

. - APPLIED ON 2021/11/23 -

F2021/01461 - KPR U.S., LLC Class 23. FLUID CONNECTOR

F2021/01466 - KPR U.S., LLC Class 23. FLUID CONNECTOR

A2021/01468 - GLOVE IP (PTY) LTD Class 02. GLOVE ACCESSORY

F2021/01463 - KPR U.S., LLC Class 23. FLUID CONNECTOR

F2021/01462 - KPR U.S., LLC Class 23. FLUID CONNECTOR

F2021/01464 - KPR U.S., LLC Class 23. FLUID CONNECTOR

F2021/01465 - KPR U.S., LLC Class 23. FLUID CONNECTOR

F2021/01467 - DE CERFF, Alan Class 12. PROTECTIVE SCREEN FOR PASSENGER VEHICLE

. - APPLIED ON 2021/11/24 -

A2021/01469 - HENDRIK JOHANNES VENTER Class 04. HANDLE FOR RECEIVING A BRUSH

A2021/01474 - LAGIS ENTERPRISE CO., LTD. Class 24. CONTROL BUTTON FOR A LAPAROSCOPIC SURGERY INSTRUMENT

A2021/01473 - FINTZ, Nissim Isaac Class 09. CONTAINER

F2021/01472 - FINTZ, Nissim Isaac Class 09. CONTAINER

A2021/01471 - FINTZ, Nissim Isaac Class 09. CONTAINER

F2021/01470 - FINTZ, Nissim Isaac Class 09. CONTAINER

A2021/01475 - LAGIS ENTERPRISE CO., LTD. Class 24. ROTATION KNOB FOR A LAPAROSCOPIC SURGERY INSTRUMENT

. - APPLIED ON 2021/11/25 -

A2021/01477 - Colgate-Palmolive Company Class 4. ORAL CARE IMPLEMENTS

A2021/01478 - Colgate-Palmolive Company Class 4. ORAL CARE IMPLEMENTS

A2021/01476 - Colgate-Palmolive Company Class 4. ORAL CARE IMPLEMENTS

. - APPLIED ON 2021/11/26 -

A2021/01479 - BEZUIDENHOUT, Neville Class 22. FISHING SINKERS

A2021/01483 - UNILEVER GLOBAL IP LIMITED Class 7. CAPSULE

A2021/01481 - Hangzhou Microimage Software Co., Ltd. Class 10. THERMAL IMAGERS

A2021/01484 - HANGZHOU MICROIMAGE SOFTWARE CO., LTD. Class 16. TELESCOPE

A2021/01482 - HANGZHOU MICROIMAGE SOFTWARE CO., LTD. Class 16. TELESCOPE

A2021/01480 - BEZUIDENHOUT, Neville Class 22. FISHING SINKERS

. - APPLIED ON 2021/11/29 -

F2021/01488 - John Abraham Kotze jnr. Class 22. BIRD REPELLENT DEVICE

A2021/01489 - Adventure Trails South africa Class 20. TRAILS SOUTH AFRICA

F2021/01485 - DE REUCK (Jnr), Dudley Howard, DE REUCK (Snr), Dudley Howard, DE REUCK, Willem Sarel Class 15. PACKING SEALS FOR RECIPROCATING WATER PUMPS

F2021/01487 - MACCORKINDALE INVESTMENTS (PTY) LTD Class 08. DIGGING TOOL

F2021/01486 - DE REUCK (Jnr), Dudley Howard, DE REUCK (Snr), Dudley Howard, DE REUCK, Willem Sarel Class 15. PROTECTION SLEEVES FOR RECIPROCATING WATER PUMP RODS

. - APPLIED ON 2021/11/30 -

F2021/01490 - WALTON, Richard Graham Class 25. DOOR ASSEMBLY

A2021/01492 - ALLEN, Kerry Anne Hanbury Class 28. EYELASH GUARD

A2021/01491 - WALTON, Richard Graham Class 25. DOOR ASSEMBLY

. - APPLIED ON 2021/12/01 -

A2021/01495 - Crocs, Inc. Class 02. FOOTWEAR

A2021/01494 - Crocs, Inc. Class 2. FOOTWEAR

A2021/01493 - Crocs, Inc. Class 2. FOOTWEAR

A2021/01499 - THABANI Class 15. CAR DESIGN

. - APPLIED ON 2021/12/02 -

A2021/01496 - Caterpillar Inc. Class 15. BUCKET SHROUDS

. - APPLIED ON 2021/12/03 -

A2021/01497 - Crocs, Inc. Class 2. FOOTWEAR

. - APPLIED ON 2021/12/06 -

F2021/01498 - GIDEON HITCHCOCK Class 07. BBQ 'N GRILL

. - APPLIED ON 2021/12/08 -

A2021/01503 - FERRARI S.P.A. Class 12. VEHICLE WHEEL RIM

A2021/01504 - FERRARI S.P.A. Class 21. TOY CAR

A2021/01500 - RENSHARE (PTY) LTD. Class 21. BOARD FOR A BOARD GAME

A2021/01501 - CHERRY PLASTICS CC Class 9. BOTTLE AND CAP

A2021/01502 - FERRARI S.P.A. Class 12. CAR

. - APPLIED ON 2021/12/09 -

F2021/01507 - BELGOTEX FLOORCOVERINGS (PTY) LTD t/a Belgotex Floors Class 25. A TILE

F2021/01509 - BELGOTEX FLOORCOVERINGS (PTY) LTD t/a Belgotex Floors Class 25. A TILE

F2021/01511 - BELGOTEX FLOORCOVERINGS (PTY) LTD t/a Belgotex Floors Class 25. A TILE

F2021/01506 - Mornay Mead Kerr Class 23. TANK

F2021/01515 - BELGOTEX FLOORCOVERINGS (PTY) LTD t/a Belgotex Floors Class 25. A TILE

A2021/01505 - KA DLAMINI, Lindelani, Mfundo, Xulu Class 2. AFRICAN CHRISTMAS HAT

F2021/01514 - BELGOTEX FLOORCOVERINGS (PTY) LTD t/a Belgotex Floors Class 25. A TILE

F2021/01517 - BELGOTEX FLOORCOVERINGS (PTY) LTD t/a Belgotex Floors Class 25. A TILE

F2021/01508 - BELGOTEX FLOORCOVERINGS (PTY) LTD t/a Belgotex Floors Class 25. A TILE

F2021/01512 - BELGOTEX FLOORCOVERINGS (PTY) LTD t/a Belgotex Floors Class 25. A TILE

F2021/01516 - BELGOTEX FLOORCOVERINGS (PTY) LTD t/a Belgotex Floors Class 25. A TILE

F2021/01513 - BELGOTEX FLOORCOVERINGS (PTY) LTD t/a Belgotex Floors Class 25. A TILE

F2021/01510 - BELGOTEX FLOORCOVERINGS (PTY) LTD t/a Belgotex Floors Class 25. A TILE

. - APPLIED ON 2021/12/13 -

F2021/01519 - HENDRIK FREDERIK DU PLESSIS Class 22. PNEUMATIC AIRGUN

A2021/01518 - HENDRIK FREDERIK DU PLESSIS Class 22. PNEUMATIC AIRGUN

F2021/01522 - PRAESIDIAD HOLDING BVBA Class 25. FENCE POST CLAMP

F2021/01520 - PRAESIDIAD HOLDING BVBA Class 25. FENCE POST CLAMP

A2021/01521 - CASIO KEISANKI KABUSHIKI KAISHA D.B.A. CASIO COMPUTER CO., LTD. Class 18.
ELECTRONIC CALCULATOR

. - APPLIED ON 2021/12/14 -

A2021/01523 - Babalo Majodina Class 32. SKULLBOARD ILUSTRATION

. - APPLIED ON 2021/12/15 -

A2021/01525 - SODASTREAM INDUSTRIES LTD. Class 31. DOMESTIC SODA-WATER PREPARING
DEVICES

A2021/01532 - KRIGE, Grove Class 31. A FOOD PROCESSING MACHINE

A2021/01528 - VODAFONE GROUP SERVICES LIMITED Class 03. HOLDER FOR A LOCATING DEVICE

A2021/01529 - VODAFONE GROUP SERVICES LIMITED Class 03. HOLDER FOR A LOCATING DEVICE

A2021/01527 - RESTONIC (PROPRIETARY) LIMITED Class 6. BASE FOR A BED

A2021/01526 - ANGELOS, Komninos George, LAWRENCE, Allen Preston Class 28. RAZOR

F2021/01524 - JJ GOVENDER Class 25. THE EAGLE OR MANTA RAY FLOATING CSP-PV HYBRID PLANTS

F2021/01533 - KRIGE, Grove Class 31. A FOOD PROCESSING MACHINE

F2021/01530 - VODAFONE GROUP SERVICES LIMITED Class 03. HOLDER FOR A LOCATING DEVICE

F2021/01531 - VODAFONE GROUP SERVICES LIMITED Class 03. HOLDER FOR A LOCATING DEVICE

. - APPLIED ON 2021/12/17 -

A2021/01536 - Medtrade Products Limited Class 24. WOUND DRESSING

A2021/01534 - Medtrade Products Limited Class 24. WOUND DRESSING

F2021/01535 - Medtrade Products Limited Class 24. WOUND DRESSING

A2021/01540 - Colgate-Palmolive Company Class 4. ORAL CARE IMPLEMENTS

A2021/01538 - Colgate-Palmolive Company Class 4. ORAL CARE IMPLEMENTS

A2021/01539 - Colgate-Palmolive Company Class 4. ORAL CARE IMPLEMENTS

F2021/01537 - Medtrade Products Limited Class 24. WOUND DRESSING

A2021/01542 - BRIAN MTHETHWA Class 02. ADDACCII

F2021/01541 - DIEDERIKS, Franco Class 23. ELECTRIC WATER HEATING COIL CONFIGURATION

APPLICATION FOR THE RESTORATION OF A LAPSED DESIGN UNDER SECTION 23 OF THE ACT

No records available

APPLICATION TO CORRECT AND/OR AMEND DESIGNS APPLICATION OR REGISTRATION

No records available

NOTICE OF REGISTRATION OF DESIGNS

Notice of registration of the designs mentioned below has been issued by the Registrar of Designs in terms of the Designs Act, 1993 (Act No. 195 of 1993)

INSPECTION OF DESIGNS

A design application, may after a notice of registration has been published, be inspected during office hours at the Designs Office, Pretoria, at a charge of R3, 00

COPIES OF DOCUMENTS

The Designs Office, Private Bag X400, Pretoria, supplies photocopies of all design documents at R1, 00 per page. (Payment to be affected by revenue stamps only.)

The numerical references denote the following: **(21)** Number of application. **(22)** Date of lodgement. **(23)** release date (if applicable). **(DR)** Date of registration. **(52)** Class. **(24)** Type of design. **(71)** Name(s) of applicant(s). **(33)** Country. **(31)** Number and. **(32)** Date of convention application. **(54)** Articles to which design is to be applied. **(57)** Brief statement of features.

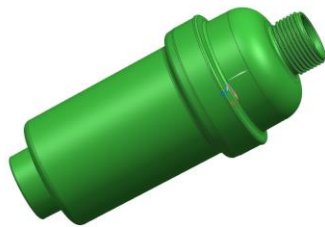
N.B.: Date of registration (DR) is either Date of lodgement (22) or Date of convention of application (32) whichever is the earlier.

Registrar of Designs

21: A2019/00368 22: 2019-03-14 23:
43: 2021-10-22
52: Class 23 24: Part A
71: Justin Sadler
**54: THE SYDNEY 905 WATER FILTER
COMPRISING A SET OF TWO INTEROPERABLE
ARTICLES, NAMELY THE INFLOW COMPONENT
AND THE OUTFLOW COMPONENT.**
57: The design relates to the Sydney 905 Filter. The
features of shape, function and/or configuration of
the Sydney 905 Filter (i.e. Point of Use (POU) Water

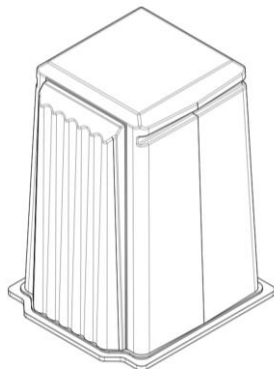
Filter), comprising articles (i.e. Inflow Side
components and Outflow Side components) forming
a complete set that constitute substantially as shown
in the accompanying representations. The complete
unit of the Sydney 905 Filter comprises two
interoperable components, namely the Inflow Side
Component and the Outflow Side Component as
seen in the attached representations. The Inflow
Component: The top end of this component has a
"female" 3/4 inch BSP (British Standard Pipe) thread
connection as seen in the attached representations

on page 3 of 12. The bottom end of this component has a thread and ratchet system (Outer Diameter is 64mm) as seen in the attached representations on pages 5, 6 and 7 of 12. This bottom section needs to screw onto the top end of the Outflow Side Component. The Outflow Component: The top end of this component has a thread a ratchet system, as seen in the attached representations on pages 8 and 11 of 12. The top end of this component connects to the bottom end of the Inflow Side Component. The bottom end of this component has a "Male" 3/4 inch BSP (British Standard Pipe) thread connection as seen in the attached representations on pages 8 and 9 of 12.



21: A2019/00916 22: 2019-07-04 23:
43: 2021-12-01
52: Class 23 24: Part A
71: CREST Solar (Pty) Ltd
54: TOILET ENCLOSURE

57: The design relates to a toilet enclosure. The features of the design are those of shape, pattern and/or configuration.



21: A2019/01379 22: 2019-09-18 23:
43: 2019-09-18
52: Class 12 24: Part A
71: SUPERCART SOUTH AFRICA (PTY) LTD
54: TROLLEY

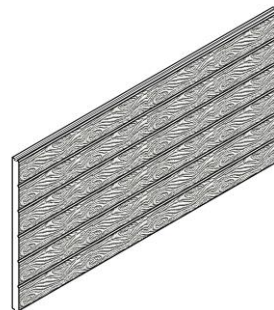
57: The design is applied to a trolley, and in particular to a merchandising trolley for perishables.

The features of the design for which protection is claimed include the shape and/or configuration of a trolley, substantially as illustrated in the accompanying representations. The trolley comprises a metal chassis having a pair of upwardly extending arms for carrying a plastic basket. The bottom of the metal chassis comprises a flat metal wire platform, with the front corners of the platform being fitted with outrider wheels.



21: A2019/01482 22: 2019-10-07 23:
43: 2021-11-15
52: Class 25 24: Part A
71: MYNHARDT, Christiaan
54: CEILING BOARD

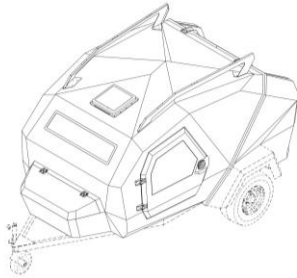
57: The design relates to a CEILING BOARD. The feature of the design is that of pattern.



21: A2019/01587 22: 2019-10-24 23:
43: 2021-12-01
52: Class 12 24: Part A
71: Pieter Retief Krige, Yvon Heyns

54: TRAILER BODY

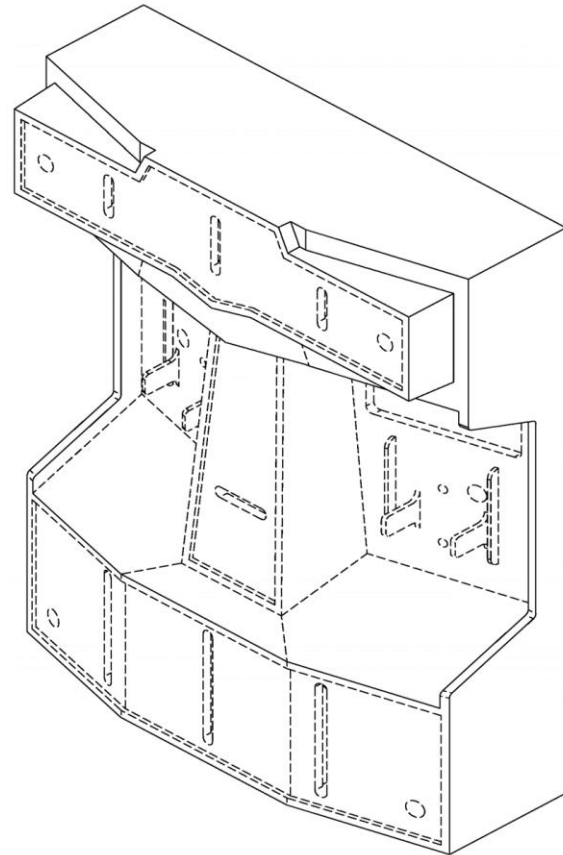
57: The design relates to a Trailer body. The features of the design are those of shape and/or pattern and/or configuration and/or ornamentation.



21: A2020/00094 22: 2020-01-29 23:
43: 2021-11-04
52: Class 03 24: Part A
71: WINSTON PRODUCTS, LLC
33: US 31: 29/700,125 32: 2019-07-31

54: STORAGE CASE

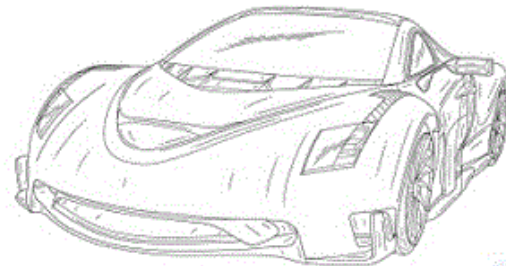
57: The design is applied to a storage case. The features of the design for which protection is claimed are those of the shape and/or configuration of the storage case, substantially as illustrated in the accompanying representation. Features shown in broken lines and features in regions bounded by broken lines do not form part of the design and are disclaimed.



21: A2020/00380 22: 2020-03-19 23:
43: 2020-11-17
52: Class 12. 24: Part A
71: LAI, PING PINKY
33: IB 31: WIPO88199 32: 2019-10-07

54: Automobile

57: The design relates to an automobile. The features of the design are those of shape and/or configuration and/or ornamentation.



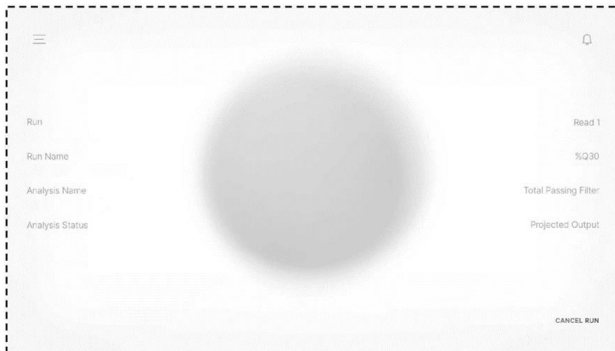
FRONT PERSPECTIVE VIEW

21: A2020/00910 22: 2020-06-29 23:

43: 2021-11-04
 52: Class 14 24: Part A
 71: ILLUMINA, INC.
 33: US 31: 29/720,277 32: 2020-01-10

54: SCREEN DISPLAY

57: The design is applied to a screen display. The features of the design for which protection is claimed are those of the shape and/or configuration and/or pattern and/or ornamentation of the screen display, substantially as illustrated in the accompanying representation. Features shown in broken lines do not form part of the design and are disclaimed.



21: A2020/00959 22: 2020-07-10 23:
 43: 2021-11-04
 52: Class 09 24: Part A
 71: COMPTOIR FRANÇAIS COMMERCIAL
 33: EU 31: 007567243-0001 32: 2020-01-28

54: BEVERAGE BOTTLE

57: The design is applied to a beverage bottle. The features of the design for which protection is claimed are those of the shape and/or configuration and/or pattern and/or ornamentation of the beverage bottle, substantially as illustrated in the accompanying representation. Features shown in broken lines do not form part of the design and are disclaimed.

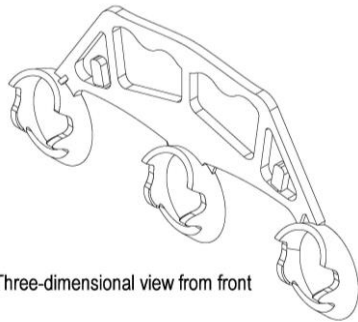


21: A2020/00972 22: 2020-07-14 23:
 43: 2020-07-14
 52: Class 9 24: Part A
 71: HEWITT AND ASSOCIATES (PROPRIETARY) LIMITED

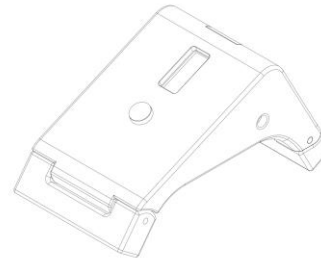
54: Bottle Carriers

57: This design is for a bottle carrier comprising an isosceles trapezoidal frame comprising a handle adjacent a short end of the frame and roughly tapered cylindrical bottle holders attached to a long end of the frame. The frame may define a pair of spaced apart handle apertures which are separated by a reinforcing strut. The handle apertures are bounded on one side by inwardly disposed curved engagement formations to facilitate ergonomic engagement of the carrier, in use. The frame defines roughly triangular cradles within which are provided slightly angularly disposed packet hooks which project toward the handle of the carrier. The packet hooks have rounded ends. Each bottle holder may be substantially similar and one free end thereof may be angularly disposed toward the handle. The free end of the bottle holders may

comprise top portions and pairs of spaced apart engaging formations to engage necks of bottles, in use.



Three-dimensional view from front

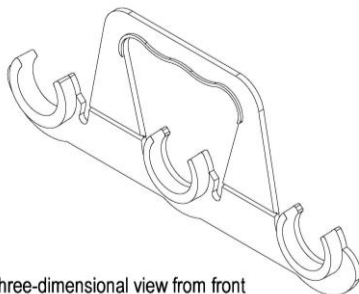


Perspective view 1

21: A2020/00974 22: 2020-07-14 23:
43: 2020-07-14
52: Class 9 24: Part A
71: HEWITT AND ASSOCIATES (PROPRIETARY)
LIMITED

54: Bottle Carriers

57: This design is for a bottle carrier comprising an isosceles trapezoidal handle portion hingedly connected, via live hinges, to a carrier portion comprising bottle holders. The handle portion defines a void and comprises inwardly disposed curved engagement formations adjacent a short end thereof to facilitate ergonomic engagement of the carrier, in use. The handle portion is connected to the carrier portion adjacent a long end thereof, wherein the long end and the short end are parallel. Each bottle holder may be substantially similar and may be part-cylindrical with a part-circular profile or outline when viewed from the front or rear.

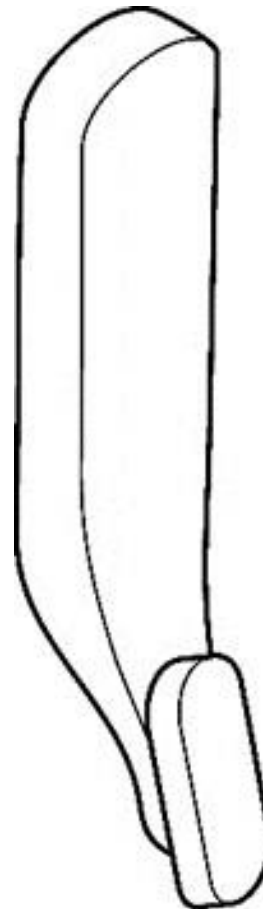


Three-dimensional view from front

21: A2020/01041 22: 2020-07-31 23:
43: 2021-11-04
52: Class 10 24: Part A
71: ISITECH (PTY) LTD

54: A TEMPLE PROTECTOR

57: The design is applied to a temple protector. The features of the design for which protection is claimed are those of the shape and/or configuration and/or ornamentation of the temple protector, substantially as illustrated in the accompanying representations. Features shown in broken lines do not form part of the design and are disclaimed.



21: A2020/00982 22: 2020-07-16 23:
43: 2021-11-15
52: Class 10 24: Part A
71: Theracol (Pty) Ltd

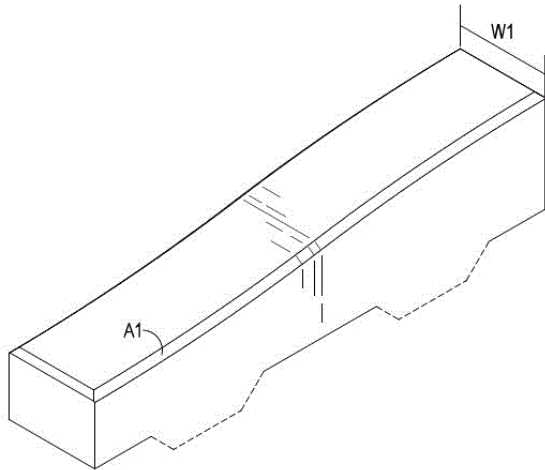
54: WEARABLE SANITISING DEVICE

57: The design relates to a Wearable sanitising device. The features of the design are those of shape and/or pattern and/or configuration and/or ornamentation.

21: A2020/01046 22: 2020-07-31 23:
43: 2020-07-15
52: Class 25 24: Part A
71: FOURIE, Jacobus Antonie

54: RAMP BLOCKS

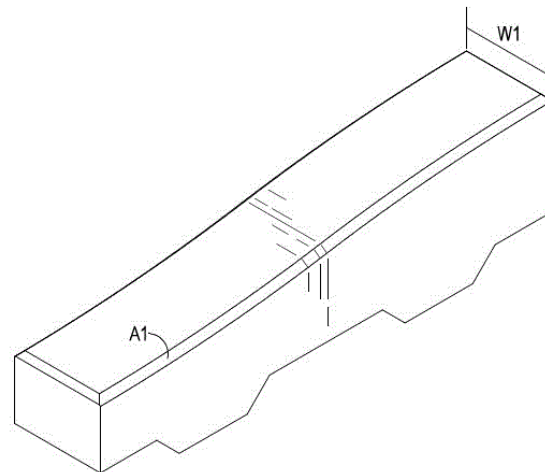
57: The design is for a ramp block, substantially as shown in the accompanying representations.



21: A2020/01047 22: 2020-07-31 23:
43: 2020-07-15
52: Class 25 24: Part A
71: FOURIE, Jacobus Antonie

54: RAMP BLOCKS

57: The design is for a ramp block, substantially as shown in the accompanying representations.



21: A2020/01050 22: 2020-07-31 23:
43: 2021-11-04
52: Class 29 24: Part A
71: FANCY THAT COSTUMES (PTY) LTD T/A THE AVIATOR MASK COMPANY
54: FACIAL MASK

57: The design is applied to a facial mask. The features of the design for which protection is claimed are those of the shape and/or configuration and/or pattern and/or ornamentation of the facial mask, substantially as illustrated in the accompanying representation. Figure 6 shows an exemplary embodiment of the facial mask in use and is disclaimed.

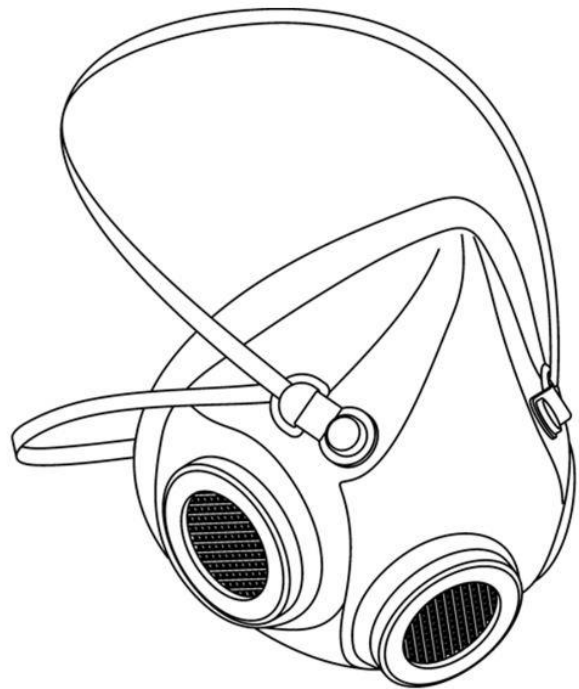
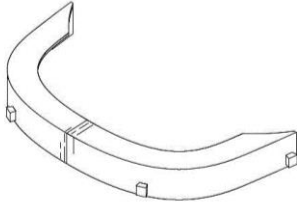


FIGURE 1:
FRONT PERSPECTIVE VIEW

21: A2020/01055 22: 2020-07-31 23:
43: 2020-07-31
52: Class 2 24: Part A
71: WILL, Edward Henry

54: Headwear and Headwear Accessories

57: The design is in respect of an accessory for an article of headwear, in particular for a face shield connector whereby a face shield is connectable to an article of headwear. The accessory includes a generally U-shaped front panel having an operatively front surface and an opposed operatively rear surface. A peripheral lip protrudes rearwardly from an upper edge of the front panel. A plurality of spaced apart connecting formations protrude from the front face of the front panel. A face shield having complementary connecting formations is connectable to the front panel. The lip is receivable in a complementary recess provided on an article of headwear in order to secure the lip to the headwear, thereby connecting a face shield to the article of headwear.



21: A2020/01058 22: 2020-08-03 23:
43: 2020-02-04
52: Class 4 24: Part A
71: Colgate-Palmolive Company
33: US 31: 29/723,089 32: 2020-02-04

54: ORAL CARE IMPLEMENTS

57: The design relates to an oral care implement including a head, a neck and a handle. The head has an oblong shape, when viewed from the front or the rear. A set of bristle tufts extends from the front of the head. The elongate neck extends between the head and the handle, is generally cylindrical and has a smaller cross-sectional diameter than the handle. The elongate handle has a circular base at a free end thereof. A plurality of gripping formations is provided on a front of the implement between the handle and the neck. The handle tapers from the base towards the neck. A series of generally oval shaped formations are longitudinally spaced along a rear of the handle. Two circular formations are arranged on a front of the handle. The base is provided with concentric circular formations and a central rectangular formation.



Figure 1

Three-dimensional view

21: A2020/01059 22: 2020-08-03 23:
43: 2020-02-04
52: Class 4 24: Part A
71: Colgate-Palmolive Company
33: US 31: 29/723,089 32: 2020-02-04

54: ORAL CARE IMPLEMENTS

57: The design relates to an oral care implement and, in particular, to a handle thereof. The elongate handle has a circular cross-section and is configured to extend between a circular base at a free end of the implement and a neck. A plurality of protruding gripping formations is provided on a front of the handle proximate the neck. The handle tapers from the base towards the neck. A series of generally oval shaped formations are longitudinally spaced along a rear of the handle.

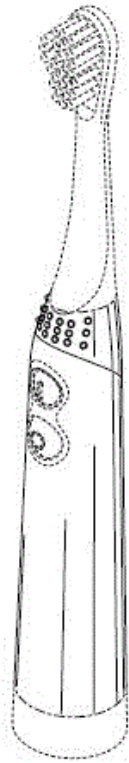


Figure 1

Three-dimensional view

21: A2020/01060 22: 2020-08-03 23:
43: 2020-02-04
52: Class 4 24: Part A
71: Colgate-Palmolive Company
33: US 31: 29/723,089 32: 2020-02-04

54: ORAL CARE IMPLEMENTS

57: The design relates to an oral care implement including a neck and a handle. The elongate neck is configured to extend between a head and the handle. The elongate handle has a circular base at a free end thereof. A plurality of protruding gripping formations is provided on a front of the implement between the handle and the neck. A series of generally oval shaped formations are longitudinally spaced along a rear of the handle.



Figure 1

Three-dimensional view

21: A2020/01061 22: 2020-08-03 23:
43: 2020-02-04
52: Class 28 24: Part A
71: Colgate-Palmolive Company
33: US 31: 29/723,089 32: 2020-02-04

54: ORAL CARE IMPLEMENTS

57: The design relates to an oral care implement including a head, a neck and a handle. The head has an oblong shape, when viewed from the front or the rear. A set of bristle tufts extends from the front of the head. The elongate neck extends between the head and the handle, is generally cylindrical and has a smaller cross-sectional diameter than the handle. The elongate handle has a circular base at a free end thereof. A plurality of gripping formations is provided on a front of the implement between the handle and the neck. The handle tapers from the base towards the neck. A series of generally oval shaped formations are longitudinally spaced along a rear of the handle. Two circular formations are arranged on a front of the handle. The base is

provided with concentric circular formations and a central rectangular formation.

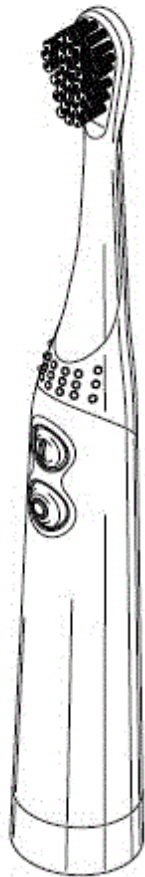


Figure 1

Three-dimensional view



Figure 1

Three-dimensional view

21: A2020/01062 22: 2020-08-03 23:
43: 2020-02-04
52: Class 28 24: Part A
71: Colgate-Palmolive Company
33: US 31: 29/723,089 32: 2020-02-04

54: ORAL CARE IMPLEMENTS

57: The design relates to an oral care implement including a handle. The elongate handle has a generally cylindrical shape and tapers from a generally bottom to an operative top thereof. A plurality of gripping formations is provided on a front of the handle at the operative top thereof. A series of generally oval shaped formations are longitudinally spaced along a rear of the handle.

21: A2020/01063 22: 2020-08-03 23:
43: 2020-02-04
52: Class 28 24: Part A
71: Colgate-Palmolive Company
33: US 31: 29/723,089 32: 2020-02-04

54: ORAL CARE IMPLEMENTS

57: The design relates to an oral care implement including a neck and a handle. The elongate neck is configured to extend between a head and the handle and is generally cylindrical. The elongate handle has a circular base at a free end thereof. A plurality of gripping formations is provided on a front of the implement between the handle and the neck. A series of generally oval shaped formations are longitudinally spaced along a rear of the handle.

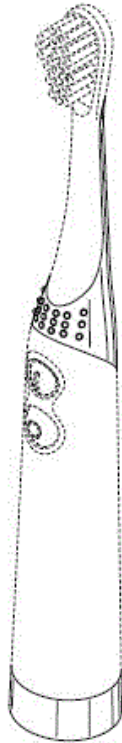


Figure 1

Three-dimensional view

21: A2020/01065 22: 2020-08-04 23:
43: 2021-11-15

52: Class 08 24: Part A

71: SNA EUROPE INDUSTRIES IBERIA, S.A.

33: EM 31: 007708698 32: 2020-02-21

54: HAND HELD TOOL

57: The design relates to a Hand held tool. The features of the design are those of shape and/or pattern and/or configuration and/or ornamentation.



21: A2020/01079 22: 2020-08-07 23:
43: 2021-11-04

52: Class 10 24: Part A

71: MECHATRONIC MONUMENTAL (PTY) LTD

54: CONTROL AND DISPLAY INTERFACE

57: The design is applied to a control and display interface. The features of the design for which protection is claimed are those of the shape and/or configuration and/or ornamentation of the control and display interface, substantially as illustrated in the accompanying representation. The features of the rotary selector dial (2) of the control and display interface (1) do not form part of the design and are disclaimed. Features shown in broken lines do not form part of the design and are disclaimed

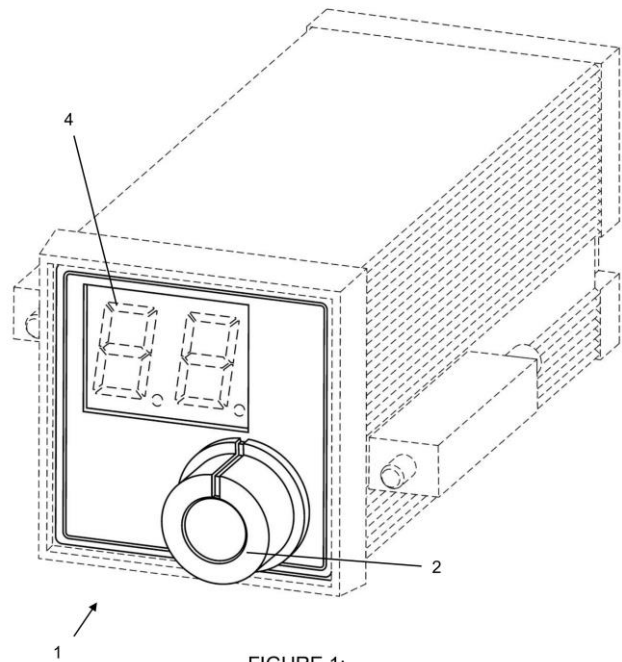


FIGURE 1:
FRONT PERSPECTIVE VIEW

21: A2020/01092 22: 2020-08-12 23:
43: 2021-11-04

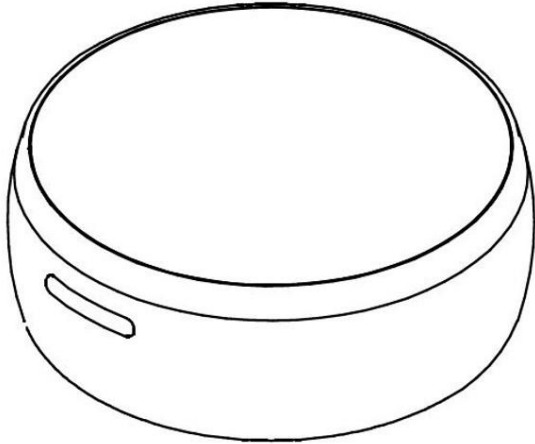
52: Class 10 24: Part A

71: VODAFONE GROUP SERVICES LIMITED

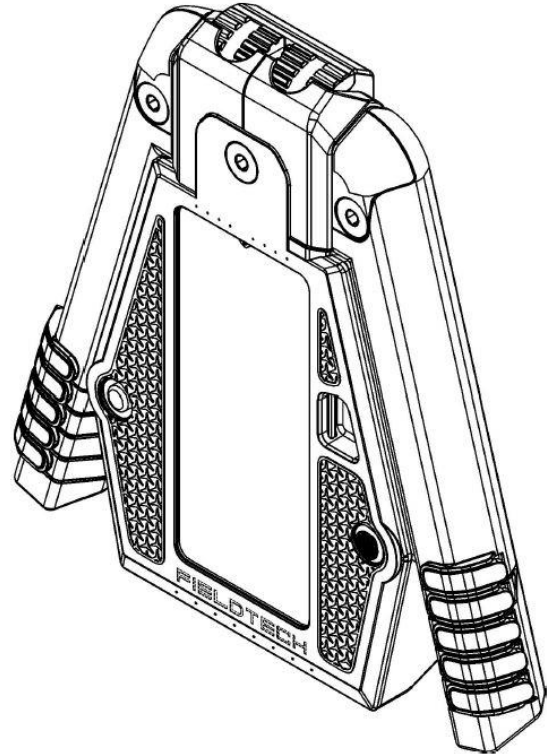
33: EU 31: 007723648-0005 32: 2020-02-28

54: LOCATING DEVICE

57: The design is applied to a locating device. The features of the design for which protection is claimed are those of the shape and/or configuration and/or pattern and/or ornamentation of the locating device, substantially as illustrated in the accompanying representation.



broken lines do not form part of the design and are disclaimed. Logos or branding appearing on the carrier do not form part of the design and are disclaimed.



21: A2020/01148 22: 2020-08-24 23:
43: 2021-10-04
52: Class 12. 24: Part A
71: NISSAN JIDOSHA KABUSHIKI KAISHA (ALSO
TRADING AS NISSAN MOTOR CO., LTD.)
33: JP 31: 2020-003633 32: 2020-02-26

54: Automobile

57: The design relates to an automobile. The features of the design are those of shape and/or configuration and/or pattern and/or ornamentation.



FRONT PERSPECTIVE VIEW

21: A2020/01407 22: 2020-10-29 23:
43: 2021-10-04
52: Class 21. 24: Part A
71: FERRARI S.P.A.
33: EM 31: 007848841-0003 32: 2020-04-30

54: Toy Car

57: The design relates to a toy car. The features of the design are those of shape and/or configuration and/or ornamentation.

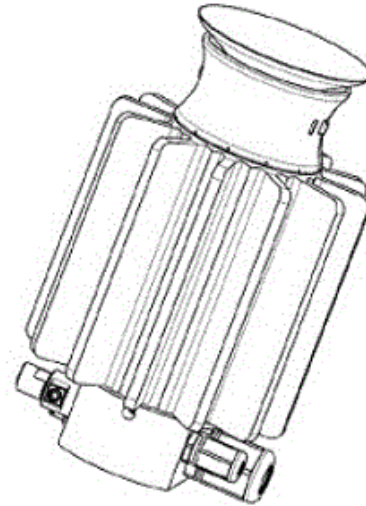
21: A2020/01312 22: 2020-09-30 23:
43: 2021-11-04
52: Class 14 24: Part A
71: FIELDTECH WEARABLE FIELD TECHNOLOGY
(PTY) LTD

54: CARRIER FOR ELECTRONIC EQUIPMENT

57: The design is applied to a carrier for electronic equipment. The features of the design for which protection is claimed are those of the shape and/or configuration and/or pattern and/or ornamentation of the carrier substantially as illustrated in the accompanying representation. Features shown in



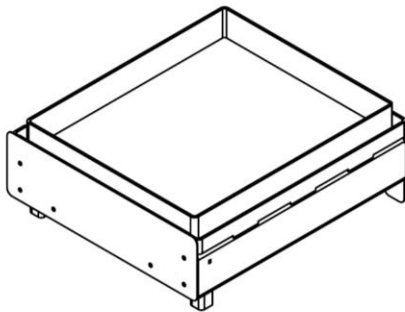
FRONT PERSPECTIVE VIEW



PERSPECTIVE VIEW

21: A2020/01586 22: 2020-12-04 23:
43: 2021-07-25
52: Class 07 24: Part A
71: PIZZA BRAAI BOX (PTY) LTD
54: AN OVEN

57: The features of the design for which novelty is claimed are the shape and / or configuration of an OVEN as shown in the accompanying representations.



3D VIEW

21: A2021/00075 22: 2021-02-03 23:
43: 2021-10-04
52: Class 24. 24: Part A
71: DÜRR SYSTEMS AG
33: EM 31: 008072318-0002 32: 2020-08-04
54: Disinfection Apparatus

57: The design relates to a disinfection apparatus. The features of the design are those of shape and/or configuration and/or ornamentation.



PERSPECTIVE VIEW

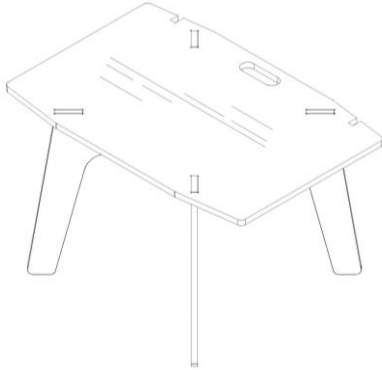
21: A2021/00074 22: 2021-02-03 23:
43: 2021-10-11
52: Class 24. 24: Part A
71: DÜRR SYSTEMS AG
33: EM 31: 008072318-0001 32: 2020-08-04
54: Disinfection Apparatus

57: The design relates to a disinfection apparatus. The features of the design are those of shape and/or configuration and/or ornamentation.

21: A2021/00082 22: 2021-02-03 23:
43: 2020-08-03
52: Class 6 24: Part A
71: UNIVERSITY OF JOHANNESBURG

54: DESK

57: The design is applied to a desk. The features of the design for which protection is claimed include the shape and/or configuration of the desk substantially as shown in the accompanying representations.

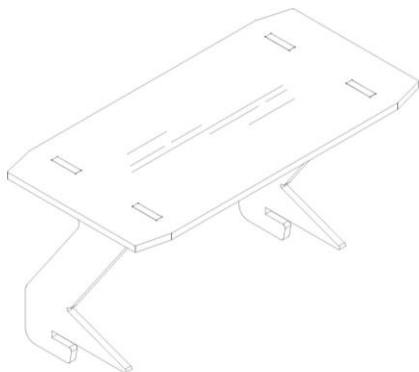


Three-dimensional view from top

21: A2021/00084 22: 2021-02-03 23:
43: 2020-08-03
52: Class 6 24: Part A
71: UNIVERSITY OF JOHANNESBURG

54: DESK

57: The design is applied to a desk. The features of the design for which protection is claimed include the shape and/or configuration of the desk substantially as shown in the accompanying representations.

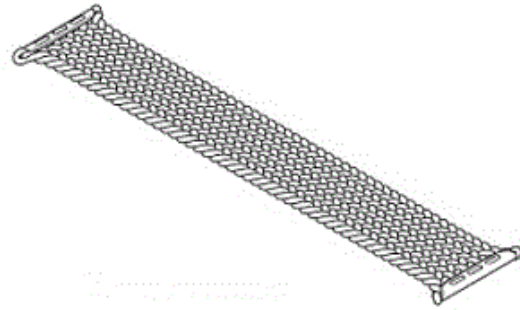


Three-dimensional view from top

21: A2021/00113 22: 2021-02-12 23:
43: 2021-10-04
52: Class 10. 24: Part A
71: APPLE INC.
33: US 31: 29/746,613 32: 2020-08-14

54: Band

57: The design relates to a band. The features of the design are those of shape and/or configuration and/or pattern and/or ornamentation.



BOTTOM FRONT PERSPECTIVE VIEW

21: A2021/00163 22: 2021-02-19 23:
43: 2020-08-21
52: Class 8 24: Part A
71: Hilti Aktiengesellschaft
33: LI 31: 480 32: 2020-08-21

54: Heavy Hammer Drills and Parts Thereof

57: The design is for a handle part of a heavy hammer drill, the handle part being at a top edge of the heavy hammer drill. The handle part defines a flat, V-shaped recess and a handle is provided over and across the recess. The handle is elongate and has a rectangular cross-sectional profile with chamfered edges. The handle extends between a pair of abutments which have faceted, angular surfaces. The handle may be used for carrying the heavy hammer drill.

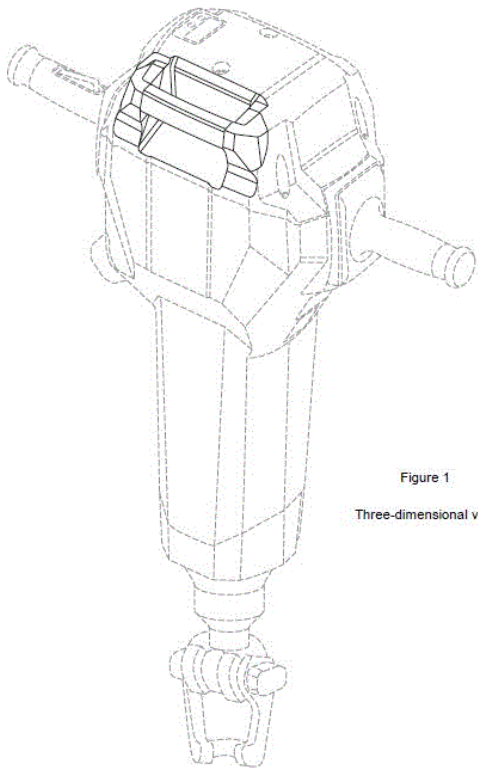
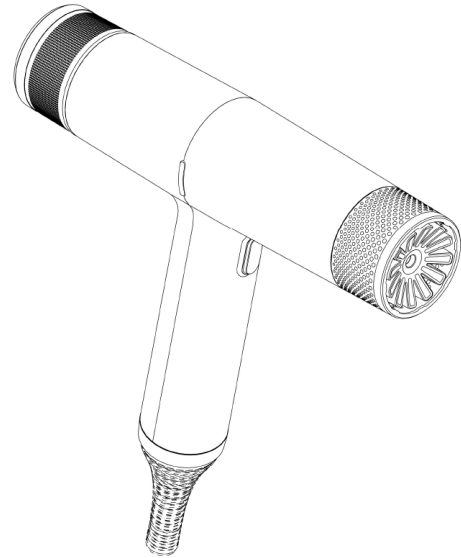


Figure 1
Three-dimensional view



21: A2021/00179 22: 2021-02-25 23:
43: 2021-10-04
52: Class 28 24: Part A
71: GA.MA S.R.L. UNIPERSONALE
33: ES 31: 008155246-0001 32: 2020-09-01

54: HAIR DRIERS

57: The novelty of the design resides in the shape and / or configuration and / or pattern and / or ornamentation of a hair dryer, substantially as shown in the accompanying representations.

21: A2021/00186 22: 2021-02-26 23:
43: 2020-08-31
52: Class 24 24: Part A
71: CellaED Life Saver Pty Ltd
33: AU 31: 202014734 32: 2020-08-31

54: DEFIBRILLATORS

57: The design is for a defibrillator having a rectangular prism body. A black rectangular base wall and a black rectangular operative top wall with rounded corners are provided, wherein the outline dimensions of the top wall are smaller than that of the base wall. Each major side of the top wall is indented at a midpoint thereof to define a narrow waist. Red sidewalls extend operatively inwardly and upwardly from the major sides of the base wall to the major sides of the top wall. In side view, each side wall has a V-shaped indent formation which corresponds with the waist of the top wall. A surface of each sidewall comprises a grid formation on each side of the V-shaped indent. Red end walls extend operatively inwardly and upwardly from the minor sides of the base wall to the minor sides of the top wall.



Figure 1
Three-dimensional view

extending laterally across the tread element. Each tread element in the intermediate rows and in the central row has a diagonally located sipe. The direction of the sipes on the tread elements of the central row is opposite to the direction of the sipes on the tread elements of the intermediate rows.

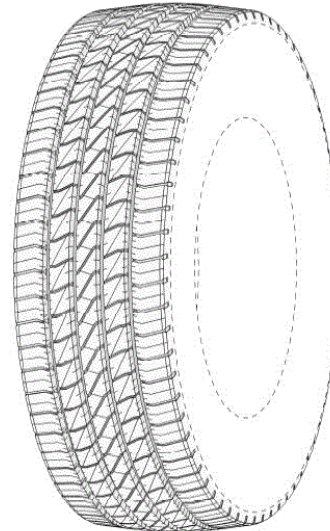


Figure 1
Three-dimensional view

21: A2021/00191 22: 2021-03-01 23:
43: 2020-09-02
52: Class 12 24: Part A
71: The Goodyear Tire & Rubber Company
33: US 31: 29/748,979 32: 2020-09-02

54: TIRES

57: A tread for a tire having five rows of tread elements, a left and right shoulder row, a left and right intermediate row, and a central row. Each row is separated from an adjacent row by a circumferentially continuous groove. Each tread element is separated from an adjacent element in the same row by a slanted groove. The slopes of the grooves separating adjacent elements in the central row are steeper than those separating adjacent elements in the other rows. Each tread element in the shoulder rows has a medially located sipe

21: A2021/00195 22: 2021-03-03 23:
43: 2021-10-12
52: Class 06 24: Part A
71: GEBERIT INTERNATIONAL AG
33: IB 31: DM/210 938 32: 2020-09-07
33: CN 31: 2020 30 524 320.3 32: 2020-09-07
33: CN 31: 2020 30 525 574.7 32: 2020-09-07

54: BATHROOM CABINET

57: The design is applied to a bathroom cabinet. The features of the design for which protection is claimed are those of the shape and/or configuration and/or ornamentation of the bathroom cabinet, substantially as illustrated in the accompanying representation.



21: A2021/00197 22: 2021-03-03 23:
43: 2021-10-12
52: Class 06 24: Part A
71: GEBERIT INTERNATIONAL AG
33: IB 31: DM/210 938 32: 2020-09-07
33: CN 31: 2020 30 524 320.3 32: 2020-09-07
33: CN 31: 2020 30 525 574.7 32: 2020-09-07

54: BATHROOM CABINET

57: The design is applied to a bathroom cabinet. The features of the design for which protection is claimed are those of the shape and/or configuration and/or ornamentation of the bathroom cabinet, substantially as illustrated in the accompanying representation.

21: A2021/00198 22: 2021-03-03 23:
43: 2021-10-12
52: Class 06 24: Part A
71: GEBERIT INTERNATIONAL AG
33: IB 31: DM/210 938 32: 2020-09-07
33: CN 31: 2020 30 524 320.3 32: 2020-09-07
33: CN 31: 2020 30 525 574.7 32: 2020-09-07

54: BATHROOM CABINET

57: The design is applied to a bathroom cabinet. The features of the design for which protection is claimed are those of the shape and/or configuration and/or ornamentation of the bathroom cabinet, substantially as illustrated in the accompanying representation.



21: A2021/00200 22: 2021-03-03 23:
43: 2021-10-12
52: Class 06 24: Part A
71: GEBERIT INTERNATIONAL AG
33: IB 31: DM/210 938 32: 2020-09-07
33: CN 31: 2020 30 524 320.3 32: 2020-09-07
33: CN 31: 2020 30 525 574.7 32: 2020-09-07

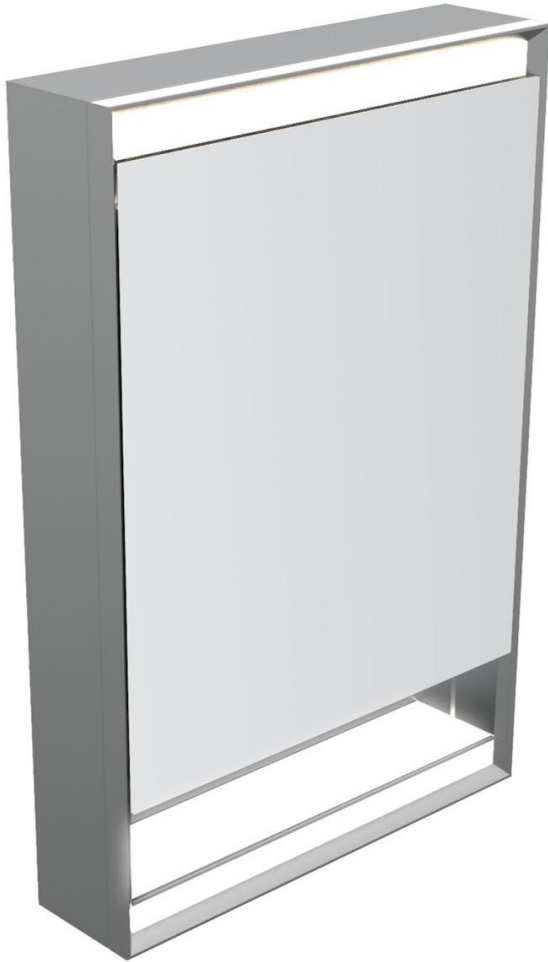
54: BATHROOM CABINET

57: The design is applied to a bathroom cabinet. The features of the design for which protection is claimed are those of the shape and/or configuration and/or ornamentation of the bathroom cabinet, substantially as illustrated in the accompanying representation.

21: A2021/00202 22: 2021-03-03 23:
43: 2021-10-12
52: Class 06 24: Part A
71: GEBERIT INTERNATIONAL AG
33: IB 31: DM/210 938 32: 2020-09-07
33: CN 31: 2020 30 524 320.3 32: 2020-09-07
33: CN 31: 2020 30 525 574.7 32: 2020-09-07

54: BATHROOM CABINET

57: The design is applied to a bathroom cabinet. The features of the design for which protection is claimed are those of the shape and/or configuration and/or ornamentation of the bathroom cabinet, substantially as illustrated in the accompanying representation.



21: A2021/00203 22: 2021-03-03 23:
43: 2021-10-12
52: Class 06 24: Part A
71: GEBERIT INTERNATIONAL AG
33: IB 31: DM/210 938 32: 2020-09-07
33: CN 31: 2020 30 524 320.3 32: 2020-09-07
33: CN 31: 2020 30 525 574.7 32: 2020-09-07

54: BATHROOM CABINET

57: The design is applied to a bathroom cabinet. The features of the design for which protection is claimed are those of the shape and/or configuration and/or ornamentation of the bathroom cabinet, substantially as illustrated in the accompanying representation.

21: A2021/00204 22: 2021-03-03 23:
43: 2021-10-12
52: Class 06 24: Part A
71: GEBERIT INTERNATIONAL AG
33: IB 31: DM/210 938 32: 2020-09-07
33: CN 31: 2020 30 524 320.3 32: 2020-09-07
33: CN 31: 2020 30 525 574.7 32: 2020-09-07

54: BATHROOM CABINET

57: The design is applied to a bathroom cabinet. The features of the design for which protection is claimed are those of the shape and/or configuration and/or ornamentation of the bathroom cabinet, substantially as illustrated in the accompanying representation.



21: A2021/00205 22: 2021-03-03 23:
 43: 2021-10-12
 52: Class 06 24: Part A
 71: GEBERIT INTERNATIONAL AG
 33: IB 31: DM/210 938 32: 2020-09-07
 33: CN 31: 2020 30 524 320.3 32: 2020-09-07
 33: CN 31: 2020 30 525 574.7 32: 2020-09-07

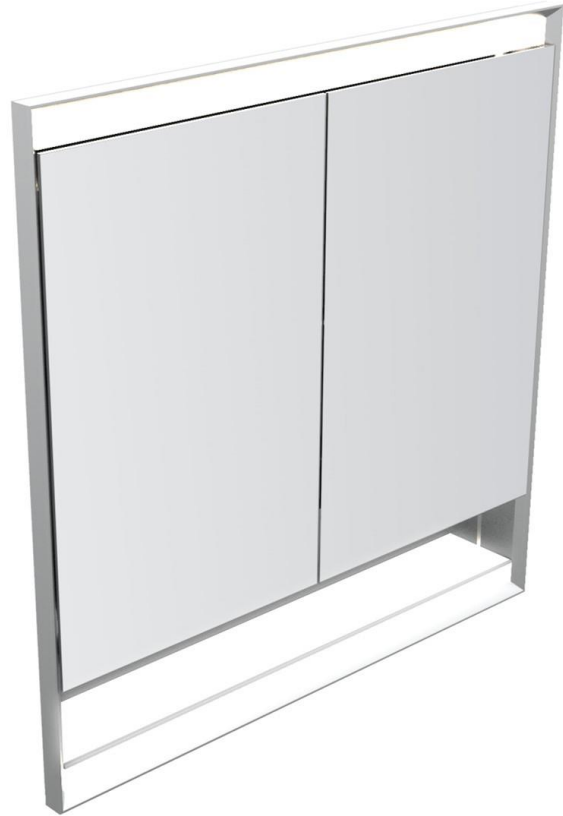
54: BATHROOM CABINET

57: The design is applied to a bathroom cabinet. The features of the design for which protection is claimed are those of the shape and/or configuration and/or ornamentation of the bathroom cabinet, substantially as illustrated in the accompanying representation.

21: A2021/00206 22: 2021-03-03 23:
 43: 2021-10-12
 52: Class 06 24: Part A
 71: GEBERIT INTERNATIONAL AG
 33: IB 31: DM/210 938 32: 2020-09-07
 33: CN 31: 2020 30 524 320.3 32: 2020-09-07
 33: CN 31: 2020 30 525 574.7 32: 2020-09-07

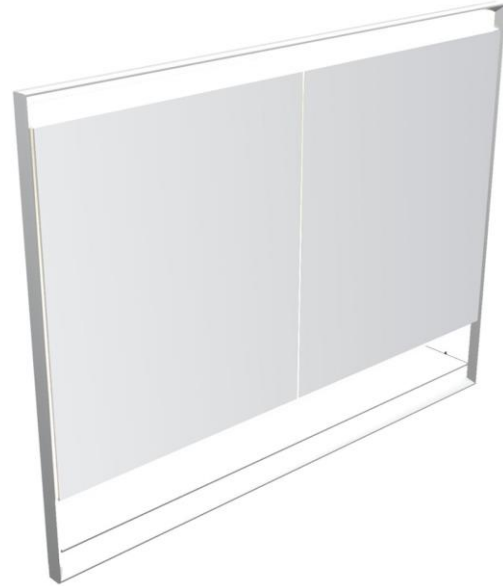
54: BATHROOM CABINET

57: The design is applied to a bathroom cabinet. The features of the design for which protection is claimed are those of the shape and/or configuration and/or ornamentation of the bathroom cabinet, substantially as illustrated in the accompanying representation.



21: A2021/00207 22: 2021-03-03 23:
43: 2021-10-12
52: Class 06 24: Part A
71: GEBERIT INTERNATIONAL AG
33: IB 31: DM/210 938 32: 2020-09-07
33: CN 31: 2020 30 524 320.3 32: 2020-09-07
33: CN 31: 2020 30 525 574.7 32: 2020-09-07
54: BATHROOM CABINET
57: The design is applied to a bathroom cabinet. The features of the design for which protection is claimed are those of the shape and/or configuration and/or ornamentation of the bathroom cabinet, substantially as illustrated in the accompanying representation.

21: A2021/00208 22: 2021-03-03 23:
43: 2021-10-12
52: Class 06 24: Part A
71: GEBERIT INTERNATIONAL AG
33: IB 31: DM/210 938 32: 2020-09-07
33: CN 31: 2020 30 524 320.3 32: 2020-09-07
33: CN 31: 2020 30 525 574.7 32: 2020-09-07
54: BATHROOM CABINET
57: The design is applied to a bathroom cabinet. The features of the design for which protection is claimed are those of the shape and/or configuration and/or ornamentation of the bathroom cabinet, substantially as illustrated in the accompanying representation.



21: A2021/00209 22: 2021-03-03 23:
 43: 2021-10-12
 52: Class 06 24: Part A
 71: GEBERIT INTERNATIONAL AG
 33: IB 31: DM/210 938 32: 2020-09-07
 33: CN 31: 2020 30 524 320.3 32: 2020-09-07
 33: CN 31: 2020 30 525 574.7 32: 2020-09-07

54: BATHROOM CABINET

57: The design is applied to a bathroom cabinet. The features of the design for which protection is claimed are those of the shape and/or configuration and/or ornamentation of the bathroom cabinet, substantially as illustrated in the accompanying representation.

21: A2021/00223 22: 2021-03-03 23:
 43: 2020-09-04
 52: Class 24 24: Part A
 71: I-Abra Limited
 33: EM(GB) 31: 008160980-0003 32: 2020-09-04

54: CARTRIDGES

57: The design relates to a cartridge for an apparatus for analysis. The cartridge is, in particular, arranged to receive a sample swab. The cartridge comprises a body. The body has a main cylindrical portion, defined by a side wall. The body is hollow, and has an interior space. The body is open at its top end, and has a closed bottom end. The body has upper and lower protrusions which extend away from the outer surface thereof. The upper and lower protrusions each have a cross-sectional shape which is generally rectangular, having a width which is wider than that of the main cylindrical portion, and extend outwardly to one side of the cylindrical portion. A slot is formed in the body between the upper and lower protrusions.

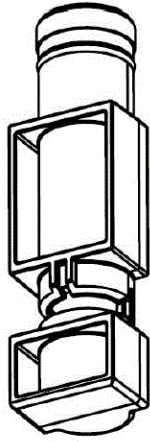


Figure 1

Three-dimensional view

57: The design is applied to a watch. The features of the design for which protection is claimed are those of the shape and/or configuration and/or pattern and/or ornamentation of the watch, substantially as illustrated in the accompanying representation.



21: A2021/00253 22: 2021-03-12 23:
43: 2021-11-02

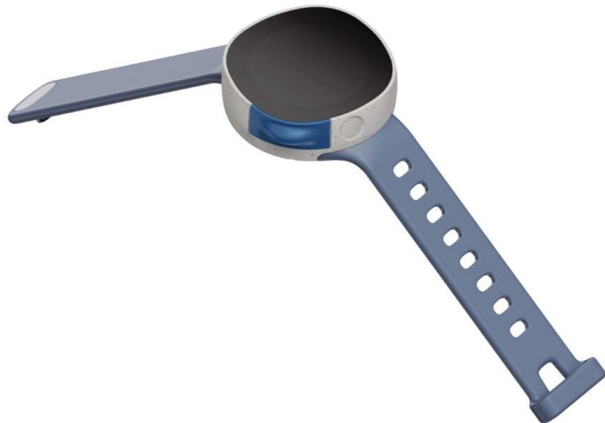
52: Class 10 24: Part A

71: VODAFONE GROUP SERVICES LIMITED

33: EU 31: 008168629-0001 32: 2020-09-15

54: WATCH

57: The design is applied to a watch. The features of the design for which protection is claimed are those of the shape and/or configuration and/or pattern and/or ornamentation of the watch, substantially as illustrated in the accompanying representation.



21: A2021/00255 22: 2021-03-12 23:
43: 2021-11-02

52: Class 10 24: Part A

71: VODAFONE GROUP SERVICES LIMITED

33: EU 31: 008168629-0003 32: 2020-09-15

54: WATCH

57: The design is applied to a watch. The features of the design for which protection is claimed are those of the shape and/or configuration and/or pattern and/or ornamentation of the watch, substantially as illustrated in the accompanying representation.



21: A2021/00254 22: 2021-03-12 23:
43: 2021-11-02

52: Class 10 24: Part A

71: VODAFONE GROUP SERVICES LIMITED

33: EU 31: 008168629-0002 32: 2020-09-15

54: WATCH

21: A2021/00256 22: 2021-03-12 23:
43: 2021-11-02

52: Class 10 24: Part A

71: VODAFONE GROUP SERVICES LIMITED

33: EU 31: 008168629-0004 32: 2020-09-15

54: WATCH

57: The design is applied to a watch. The features of the design for which protection is claimed are those of the shape and/or configuration and/or pattern and/or ornamentation of the watch, substantially as illustrated in the accompanying representation.



21: A2021/00257 22: 2021-03-12 23:
43: 2021-11-02

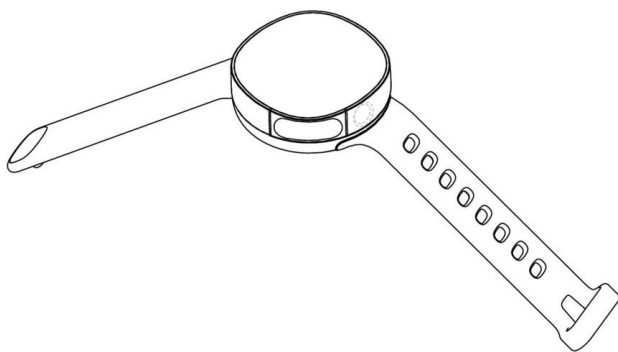
52: Class 10 24: Part A

71: VODAFONE GROUP SERVICES LIMITED

33: EU 31: 008168629-0005 32: 2020-09-15

54: WATCH

57: The design is applied to a watch. The features of the design for which protection is claimed are those of the shape and/or configuration and/or pattern and/or ornamentation of the watch, substantially as illustrated in the accompanying representation. Features shown in broken lines do not form part of the design and are disclaimed.



21: A2021/00258 22: 2021-03-12 23:
43: 2021-11-02

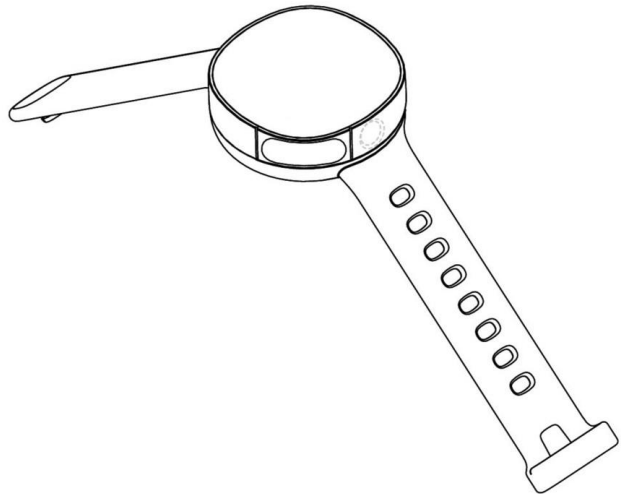
52: Class 10 24: Part A

71: VODAFONE GROUP SERVICES LIMITED

33: EU 31: 008168629-0006 32: 2020-09-15

54: WATCH

57: The design is applied to a watch. The features of the design for which protection is claimed are those of the shape and/or configuration and/or pattern and/or ornamentation of the watch, substantially as illustrated in the accompanying representation. Features shown in broken lines do not form part of the design and are disclaimed.



21: A2021/00259 22: 2021-03-12 23:
43: 2021-11-02

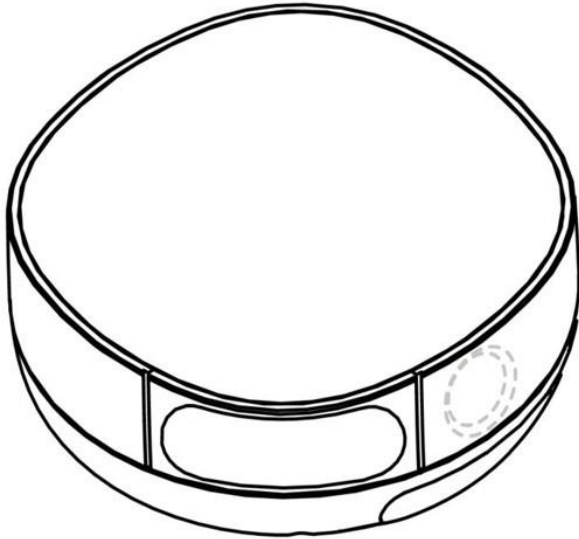
52: Class 10 24: Part A

71: VODAFONE GROUP SERVICES LIMITED

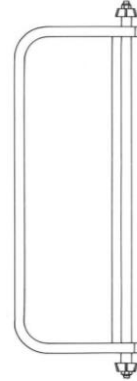
33: EU 31: 008181598-0001 32: 2020-09-24

54: WATCH

57: The design is applied to a watch. The features of the design for which protection is claimed are those of the shape and/or configuration and/or ornamentation of the watch, substantially as illustrated in the accompanying representation. Features shown in broken lines do not form part of the design and are disclaimed.



57: The features of the design for which protection is claimed include the shape and/or configuration and/or pattern of an article substantially as shown in the accompanying representation(s).



21: A2021/00260 22: 2021-03-12 23:
43: 2021-11-02

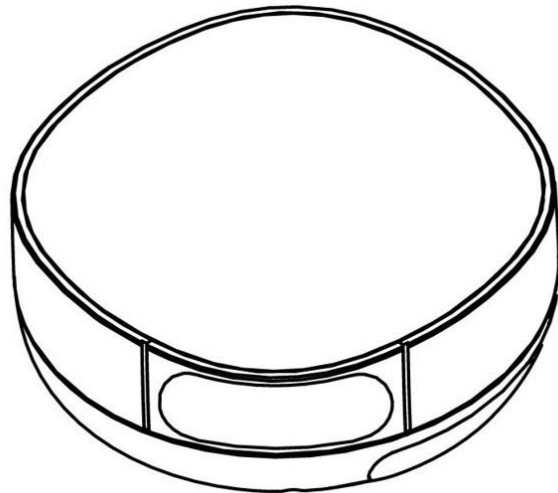
52: Class 10 24: Part A

71: VODAFONE GROUP SERVICES LIMITED

33: EU 31: 008203947-0001 32: 2020-10-15

54: WATCH

57: The design is applied to a watch. The features of the design for which protection is claimed are those of the shape and/or configuration and/or ornamentation of the watch, substantially as illustrated in the accompanying representation.



21: A2021/00300 22: 2021-03-24 23:

43: 2021-11-02

52: Class 14 24: Part A

71: ASTI, Mehmet Allan

54: GRAPHICAL USER INTERFACES

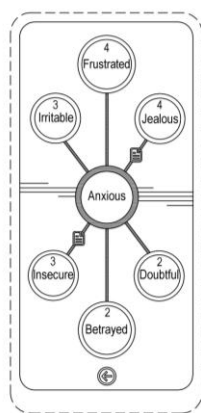
57: The design is for a graphical user interface (GUI) of a mobile application viewed on a screen of a mobile device. The GUI consists of representations of connections made between emotions experienced by a user, which emotions are contained separately within a plurality of bubbles. An interactive diagram displays the results of the connected bubbles viewed as lines branching from a central bubble containing the emotion selected by the user to the bubbles containing emotions connected therewith. An icon on each bubble shows the number of connections each bubble has; the number of connections ranging from 0 to 6 and 6 and greater. An envelope icon displayed on the branch between the connected bubbles indicate that the user has added a note. Long pressing of any bubble in the diagram places the bubble at the centre to display its connections.

21: A2021/00267 22: 2021-03-17 23:
43: 2021-11-02

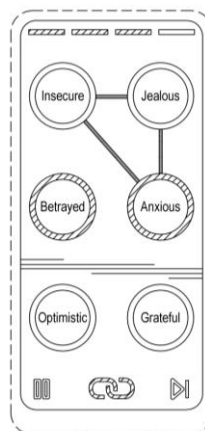
52: Class 12 24: Part A

71: Bombardier Transportation GmbH

54: MIRROR FOR RAIL VEHICLES



Two-dimensional front view



Two-dimensional front view

21: A2021/00301 22: 2021-03-24 23:
43: 2021-11-02
52: Class 14 24: Part A
71: ASTI, Mehmet Allan

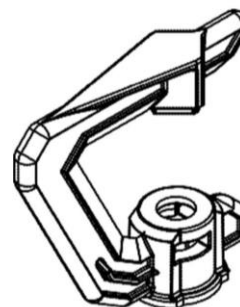
54: GRAPHICAL USER INTERFACES

57: The design is for a graphical user interface (GUI) of a mobile application viewed on a screen of a mobile device. The GUI consists of representations of a plurality of bubbles containing emotions possibly experienced by a user therein. Bubbles of emotions are viewed at least six at a time. The GUI is interactive with the user of the mobile device and assists the user to identify relationships between emotions experienced by them. The user taps a bubble containing a relevant emotion whereafter possible relationships between the selected emotion and other emotions connected thereto are viewed as two bubbles of emotions highlighted simultaneously. Upon identifying a relationship between a pair of highlighted emotions, the user either presses a central button at the bottom of the screen or taps and drags from one emotion to the next, causing the highlighted emotions to be interconnected by a line drawn therebetween.

21: A2021/00311 22: 2021-03-26 23:
43: 2021-11-02
52: Class 23 24: Part A
71: Agriplas (Pty) Ltd

54: WATER SPRAYER COMPONENT

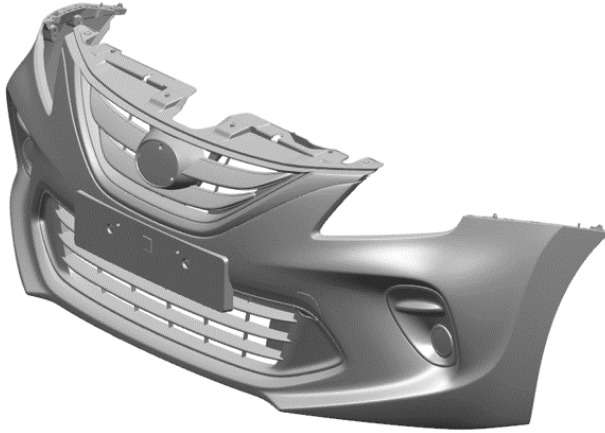
57: The features of the design for which protection is claimed include the shape and/or configuration and/or pattern of an article substantially as shown in the accompanying representation(s).



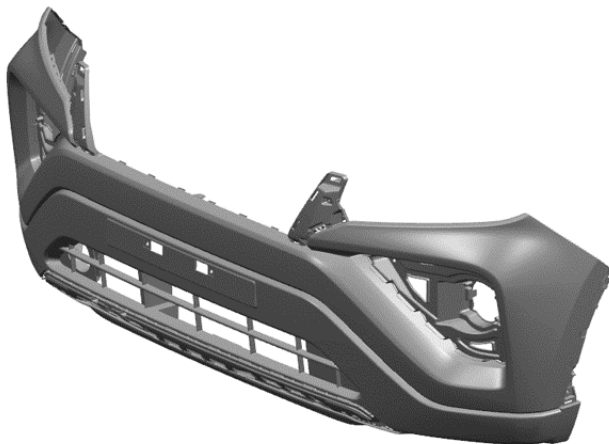
21: A2021/00326 22: 2021-03-30 23:
43: 2021-11-02
52: Class 12 24: Part A
71: TOYOTA KIRLOSKAR MOTOR PRIVATE LIMITED

54: FRONT UPPER GRILLE FOR VEHICLE

57: The design is applied to a front bumper for a vehicle. The features of the design for which protection is claimed are those of the shape and/or configuration of the front upper grille for a vehicle, substantially as illustrated in the accompanying representation.



21: A2021/00327 22: 2021-03-30 23:
 43: 2021-11-02
 52: Class 12 24: Part A
 71: TOYOTA KIRLOSKAR MOTOR PRIVATE
 LIMITED
 33: IN 31: 341186-001 32: 2021-03-22
54: FRONT BUMPER FOR VEHICLE
 57: The design is applied to a front bumper for a
 vehicle. The features of the design for which
 protection is claimed are those of the shape and/or
 configuration of the front bumper for a vehicle,
 substantially as illustrated in the accompanying
 representation.



21: A2021/00328 22: 2021-03-30 23:
 43: 2021-11-02
 52: Class 12 24: Part A
 71: TOYOTA KIRLOSKAR MOTOR PRIVATE
 LIMITED
 33: IN 31: 341187-001 32: 2021-03-22
54: FRONT GRILLE FOR VEHICLE
 57: The design is applied to a front grille for a
 vehicle. The features of the design for which
 protection is claimed are those of the shape and/or

configuration of the front grille for a vehicle,
 substantially as illustrated in the accompanying
 representation.



21: A2021/00329 22: 2021-03-30 23:
 43: 2021-11-02
 52: Class 12 24: Part A
 71: TOYOTA KIRLOSKAR MOTOR PRIVATE
 LIMITED
 33: IN 31: 341188-001 32: 2021-03-22
54: LOWER BUMPER FOR VEHICLE
 57: The design is applied to a lower bumper for a
 vehicle. The features of the design for which
 protection is claimed are those of the shape and/or
 configuration of the lower bumper for a vehicle,
 substantially as illustrated in the accompanying
 representation.



21: A2021/00342 22: 2021-03-31 23:
 43: 2021-11-02
 52: Class 23 24: Part A
 71: Superstop (Pty) Ltd
54: STOPPER

57: The design relates to a Stopper. The features of the design are those of shape and/or pattern and/or configuration and/or ornamentation.



21: A2021/00343 22: 2021-03-31 23:
43: 2021-11-02
52: Class 8 24: Part A
71: Superstop (Pty) Ltd

54: STOPPER TOOL

57: The design relates to a Stopper Tool. The features of the design are those of shape and/or pattern and/or configuration and/or ornamentation.



21: A2021/00347 22: 2021-03-31 23:
43: 2021-11-02
52: Class 23 24: Part A
71: HANS GROHE SE
33: EU 31: 008194781-0001 32: 2020-10-05

54: SANITARY FAUCET

57: The features of the design for which protection is claimed are those of the shape and/or configuration of the sanitary faucet substantially as illustrated in the accompanying drawing.



21: A2021/00348 22: 2021-03-31 23:
43: 2021-11-02
52: Class 23 24: Part A
71: HANS GROHE SE
33: EU 31: 008194781-0008 32: 2020-10-05

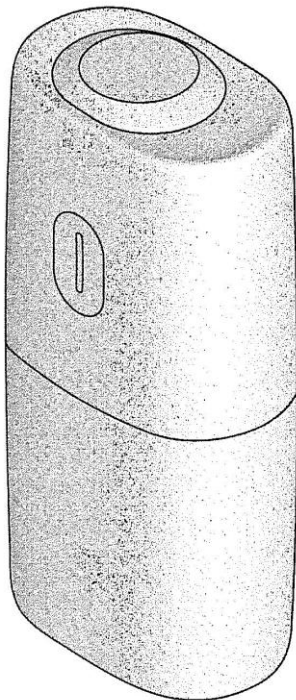
54: SANITARY FAUCET

57: The features of the design for which protection is claimed are those of the shape and/or configuration of the sanitary faucet substantially as illustrated in the accompanying drawing.



21: A2021/00414 22: 2021-04-20 23:

43: 2021-11-16
52: Class 27 24: Part A
71: PHILIP MORRIS PRODUCTS S.A.
33: EU 31: 008209738-0005 32: 2020-10-22
54: AEROSOL GENERATING DEVICE, IN PARTICULAR TOBACCO HEATING DEVICE
57: The design is to be applied to an aerosol generating device, in particular tobacco heating device. The features for which protection is claimed are those of shape and/or configuration, substantially as shown in the representations.



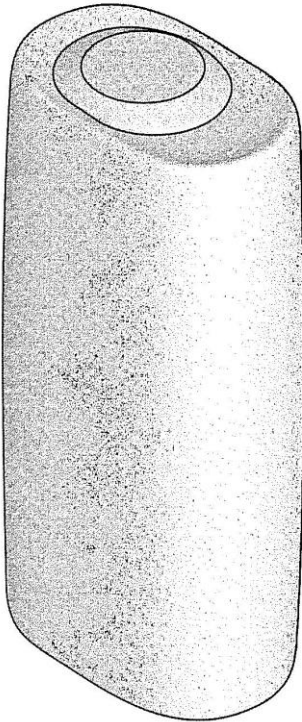
TOP PERSPECTIVE VIEW



TOP PERSPECTIVE VIEW

21: A2021/00416 22: 2021-04-20 23:
43: 2021-11-16
52: Class 27 24: Part A
71: PHILIP MORRIS PRODUCTS S.A.
33: EU 31: 008209738-0008 32: 2020-10-22
54: AEROSOL GENERATING DEVICE, IN PARTICULAR TOBACCO HEATING DEVICE
57: The design is to be applied to an aerosol generating device, in particular tobacco heating device. The features for which protection is claimed are those of shape and/or configuration, substantially as shown in the representations.

21: A2021/00415 22: 2021-04-20 23:
43: 2021-11-16
52: Class 27 24: Part A
71: PHILIP MORRIS PRODUCTS S.A.
33: EU 31: 008209738-0020 32: 2020-10-22
54: AEROSOL GENERATING DEVICE, IN PARTICULAR TOBACCO HEATING DEVICE
57: The design is to be applied to an aerosol generating device, in particular tobacco heating device. The features for which protection is claimed are those of shape and/or configuration, substantially as shown in the representations.



TOP PERSPECTIVE VIEW

21: A2021/00423 22: 2021-04-21 23:
43: 2021-11-16
52: Class 23 24: Part A
71: HANSGROHE SE
33: EU 31: 008211742-0002 32: 2020-10-22

54: HAND SHOWER

57: The features of the design for which protection is claimed are those of the shape and/or configuration of the hand shower substantially as illustrated in the accompanying drawing.



21: A2021/00424 22: 2021-04-21 23:
43: 2021-11-16
52: Class 23 24: Part A
71: HANSGROHE SE
33: EU 31: 008211742-0010 32: 2020-10-22

54: SHOWER HEAD

57: The features of the design for which protection is claimed are those of the shape and/or configuration of the shower head substantially as illustrated in the accompanying drawing

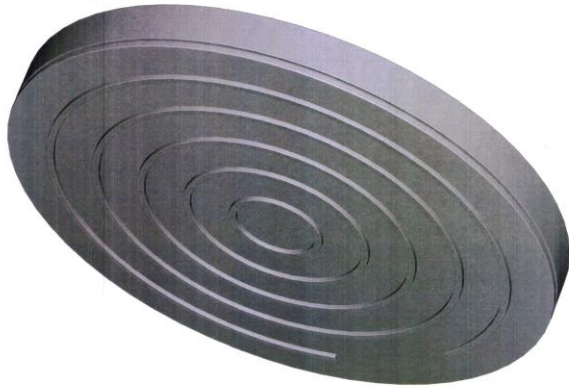


21: A2021/00425 22: 2021-04-21 23:

43: 2021-11-16
 52: Class 23 24: Part A
 71: HANSGROHE SE
 33: EU 31: 008211742-0011 32: 2020-10-22

54: SHOWER HEAD

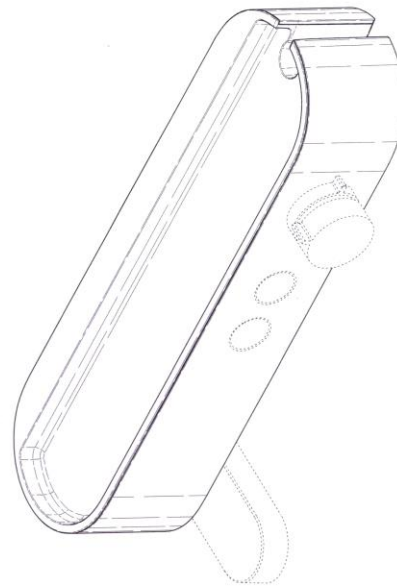
57: The features of the design for which protection is claimed are those of the shape and/or configuration of the shower head substantially as illustrated in the accompanying drawing.



21: A2021/00427 22: 2021-04-21 23:
 43: 2021-11-16
 52: Class 23 24: Part A
 71: HANSGROHE SE
 33: EU 31: 008211742-0018 32: 2020-10-22

54: SANITARY INSTALLATION

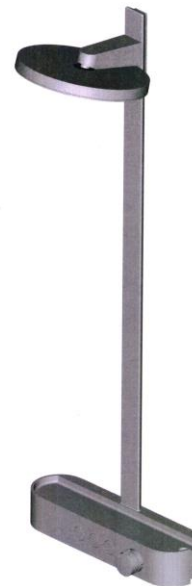
57: The features of the design for which protection is claimed are those of the shape and/or configuration of the sanitary installation substantially as illustrated in the accompanying drawing. The areas in dotted outline are for illustrative purposes only and do not form part of the design.



21: A2021/00428 22: 2021-04-21 23:
 43: 2021-11-16
 52: Class 23 24: Part A
 71: HANSGROHE SE
 33: EU 31: 008211742-0019 32: 2020-10-22

54: SANITARY INSTALLATION

57: The features of the design for which protection is claimed are those of the shape and/or configuration of the sanitary installation substantially as illustrated in the accompanying drawing.

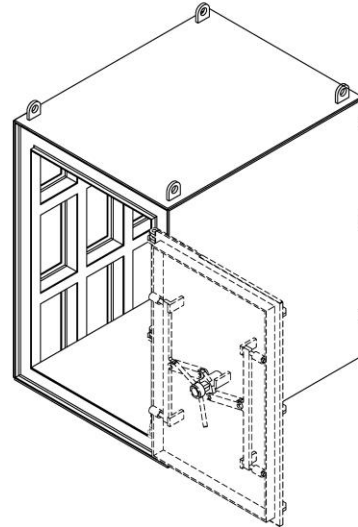


21: A2021/00430 22: 2021-04-21 23:
 43: 2021-11-16
 52: Class 23 24: Part A
 71: HANSGROHE SE
 33: EU 31: 008219836-0001 32: 2020-10-29
54: FAUCET

57: The features of the design for which protection is claimed are those of the shape and/or configuration of the faucet substantially as illustrated in the accompanying drawing.

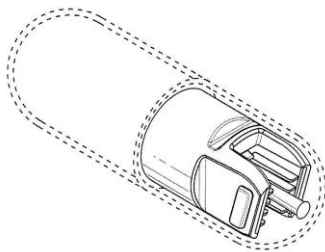


the safety barrier substantially as shown in the accompanying representations irrespective of the appearance of the features in dashed lines. The safety barrier can withstand an underground explosion and high pressure applied to a safety chamber resulting from the explosion.



21: A2021/00433 22: 2021-04-22 23:
 43: 2021-11-16
 52: Class 8 24:
 71: OMNICO (PTY) LIMITED
 33: EU 31: 008301196-0001 32: 2020-12-01
54: LIQUID APPLICATOR

57: The design relates to a liquid applicator. The features of the design are those of shape and/or configuration and/or pattern and/or ornamentation.



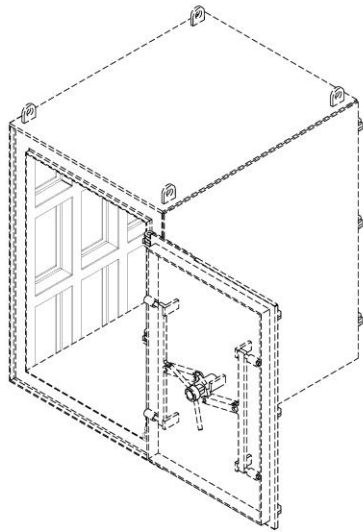
PERSPECTIVE VIEW

21: A2021/00526 22: 2021-05-18 23:
 43: 2021-12-03
 52: Class 25 24: Part A
 71: DREAM AFRICAN FOUNDATION (PTY) LTD
54: SAFETY BARRIER

57: The features of the design for which protection is claimed reside in the shape and/or configuration of the safety barrier substantially as shown in the accompanying representations irrespective of the appearance of the features in dashed lines. The safety barrier can withstand an underground explosion and high pressure applied to a safety chamber resulting from the explosion.

21: A2021/00524 22: 2021-05-18 23:
 43: 2021-12-03
 52: Class 25 24: Part A
 71: DREAM AFRICAN FOUNDATION (PTY) LTD
54: SAFETY BARRIER

57: The features of the design for which protection is claimed reside in the shape and/or configuration of



21: F2019/00329 22: 2019-02-27 23:
43: 2021-10-22
52: Class 23 24: Part F
71: Justin Edward Sadler

54: THE SYDNEY 905 WATER FILTER COMPRISING A SET OF TWO INTEROPERABLE ARTICLES, NAMELY THE INFLOW COMPONENT AND THE OUTFLOW COMPONENT.

57: The design relates to the Sydney 905 Filter. The features of shape and/or configuration of the Sydney 905 Filter (i.e. Point of Use (POU) Water Filter), comprising articles (i.e. Inflow Side components and Outflow Side components) forming a complete set that constitute substantially as shown in the accompanying representations. The complete unit of the Sydney 905 Filter comprises two interoperable components, namely the Inflow Side Component and the Outflow Side Component as seen in the attached representations. The Inflow Component: The top end of this component has a "female" 3/4 inch BSP (British Standard Pipe) thread connection as seen in the attached representations on page 3 of 12. The bottom end of this component has a thread and ratchet system (Outer Diameter is 64mm) as seen in the attached representations on pages 5, 6 and 7 of 12. This bottom section needs to screw onto the top end of the Outflow Side Component. The Outflow Component: The top end of this component has a thread a ratchet system, as seen in the attached representations on pages 8 and 11 of 12. The top end of this component connects to the bottom end of the Inflow Side Component. The bottom end of this component has a "Male" 3/4 inch BSP (British Standard Pipe) thread connection as

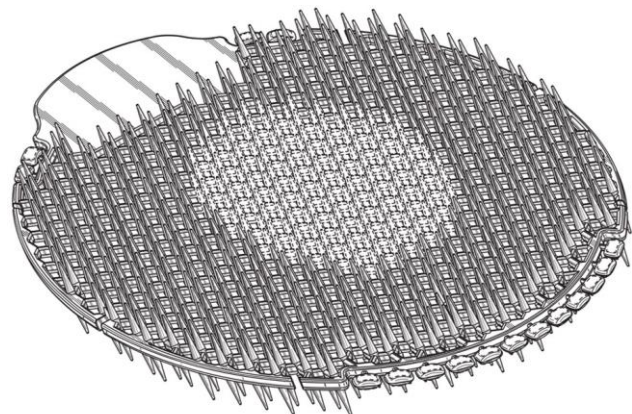
seen in the attached representations on pages 8 and 9 of 12.



21: F2019/00567 22: 2019-05-02 23:
43: 2021-11-04
52: Class 23 24: Part F
71: FRESH PRODUCTS, INC.

54: URINAL SCREEN

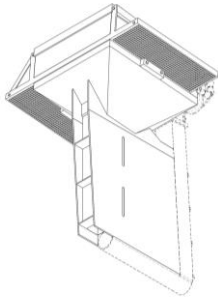
57: The design is applied to a urinal screen. The features of the design for which protection is claimed are those of the shape and/or configuration and/or pattern of the urinal screen, substantially as illustrated in the accompanying representations. Features shown in broken lines and regions bounded by broken lines do not form part of the design and are disclaimed. Surface shading lines are provided to indicate the surface character but do not form part of the design and are disclaimed.



21: F2019/01155 22: 2019-08-23 23:
43: 2021-11-15
52: Class 15 24: Part F
71: SIZISA UKHANYO 319 CC

54: DEVICE FOR SUBTERRANEAN DRAINAGE INSTALLATION

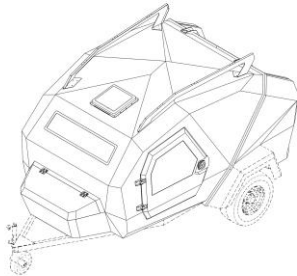
57: The design relates to a device for subterranean drainage installation. The features of the design are those of shape and/or configuration and/or pattern.



21: F2019/01588 22: 2019-10-24 23:
43: 2021-12-01
52: Class 12 24: Part F
71: Pieter Retief Krige, Yvon Heyns

54: TRAILER BODY

57: The design relates to a Trailer body. The features of the design are those of shape and/or pattern and/or configuration.



21: F2019/01622 22: 2019-10-31 23:
43: 2021-11-04
52: Class 08 24: Part F
71: CHROME CHERRY LIMITED

54: HOLDER

57: The design is applied to a holder. The features of the design for which protection is claimed are those of the shape and/or configuration and/or pattern of the holder, substantially as illustrated in the accompanying representations.

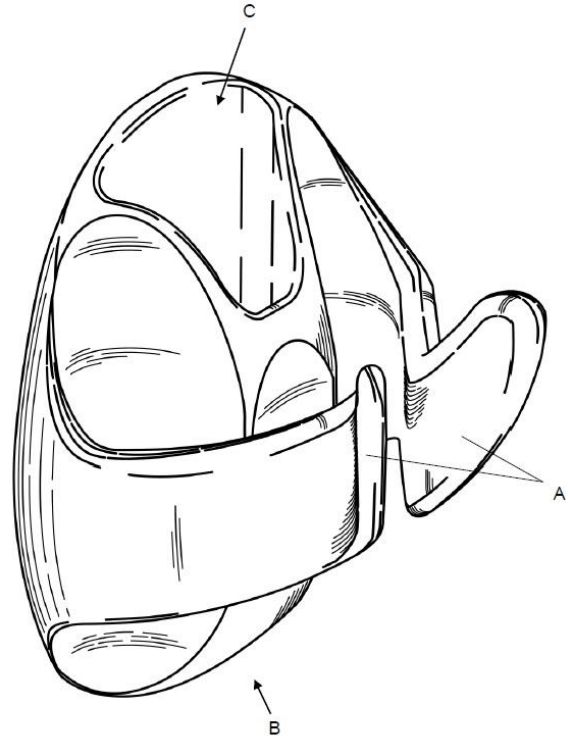


FIG. 7: FIRST THREE-DIMENSIONAL VIEW

21: F2019/01672 22: 2019-11-11 23:
43: 2021-11-15
52: Class 06 24: Part F
71: DE JONG, Dion Gerald

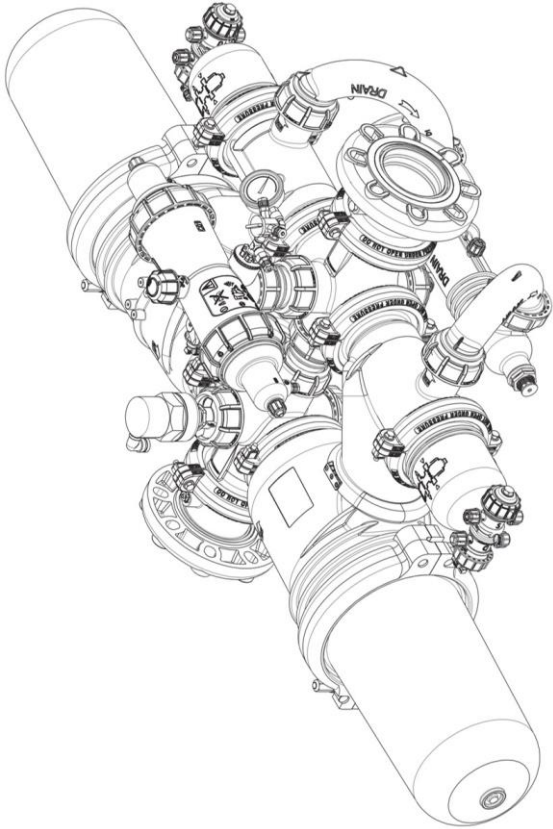
54: CHAIR

57: The design relates to a Chair. The features of the design are those of shape and/or pattern and/or configuration.



21: F2020/00033 22: 2020-01-10 23:
43: 2021-11-04
52: Class 23 24: Part F
71: AMIAD WATER SYSTEMS LTD.
33: IL 31: 63910 32: 2019-07-10
54: FILTRATION SYSTEM

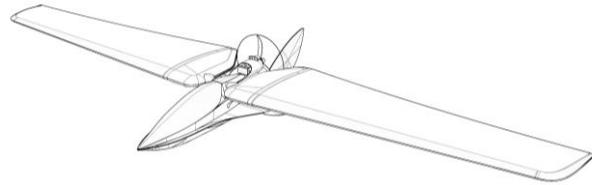
57: The design is applied to a filtration system. The features of the design for which protection is claimed are those of the shape and/or configuration and/or pattern of a filtration system, substantially as illustrated in the accompanying representation.



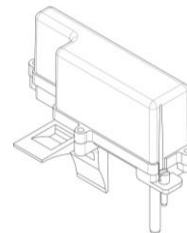
21: F2020/00077 22: 2020-01-27 23:
43: 2021-12-01
52: Class 08 24: Part F
71: Ian Derek Williams
54: HANDLE
57: The design relates to a Handle. The features of the design are those of shape and/or pattern and/or configuration.



21: F2020/00084 22: 2020-01-28 23:
43: 2021-12-01
52: Class 12 24: Part F
71: Bray Brothers Technologies (Pty) Ltd
54: AIRCRAFT
57: The design relates to a Aircraft. The features of the design are those of shape and/or pattern and/or configuration.

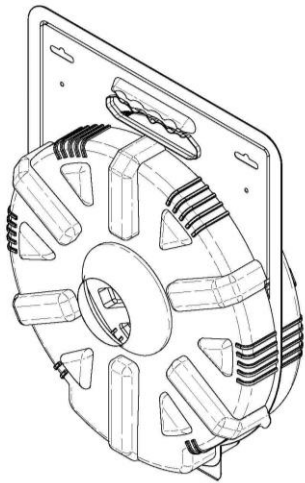


21: F2020/00098 22: 2020-01-29 23:
43: 2021-11-15
52: Class 10 24: Part F
71: DE BRUYN, Daniel Gert
54: HOUSING
57: The design relates to a Housing. The features of the design are those of shape and/or pattern and/or configuration.

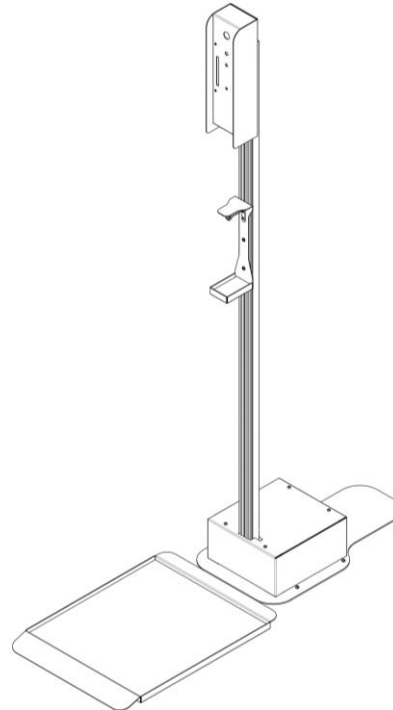


21: F2020/00480 22: 2020-05-04 23:
43: 2020-05-04
52: Class 9 24: Part F
71: GRIFFIN, Richard
54: DISPENSING PACKAGING

57: The design is for dispensing package which is suitable for holding and dispensing a filamentary product such as a coil of wire or electrical cable. The package includes a hinged body defining a front face and a rear face. The body has a portion that is generally circular in outline when viewed face-on, and a planar flange portion. An aperture is provided centrally in each face of the generally circular portion. The apertures thus are in register and each aperture is defined by a truncated curved conical spout, one of which projects into an interior of the body and one of which projects outwardly away from the interior of the body.

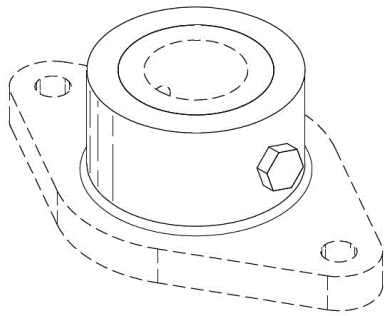


21: F2020/00583 22: 2020-05-12 23:
43: 2021-12-01
52: Class 10 24: Part F
71: Gearhouse System Solutions (Pty) Ltd
54: SANITISING AND TEMPERATURE SCREENING STATION
57: The design relates to a Sanitising and temperature screening station. The features of the design are those of shape and/or pattern and/or configuration.



21: F2020/00915 22: 2020-06-29 23:
43: 2020-06-29
52: Class 15 24: Part F
71: VAN ZYL, Jacobus Albertus
54: BEARING HOUSINGS

57: The design relates to a bearing housing which includes a circular cylindrical housing body which is connected to a mounting flange for securing the bearing housing to a surface. The housing body defines a central circular aperture for removably receiving a circular cylindrical polymeric bush defining an inner bore for receiving a revolving shaft or axle. The housing body includes a grease nipple attached to a sidewall of the body and a diametrically opposing bush-retaining bolt which screw-threadingly engages the sidewall of the housing body. The bush-retaining bolt is configured to extend at least partially into a hole formed in the bush, which is operatively configured to be in register with a hole in the sidewall of the housing body which receives the bolt, such that the bolt serves to locate the bush relative to the housing body and retains the bush on the body.

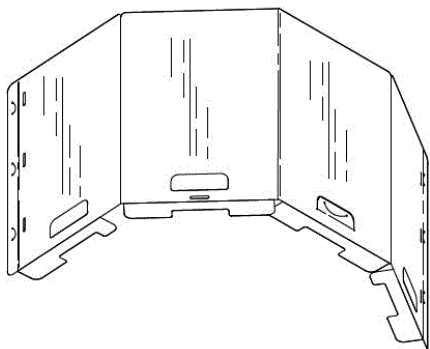


Three-dimensional view

21: F2020/00923 22: 2020-07-02 23:
43: 2020-07-02
52: Class 23 24: Part F
71: SHEET PLASTIC (PTY) LTD.

54: FOLDABLE SHIELDS

57: The functional design relates to a foldable shield. The shield includes four panels with fold lines between each of the panels. Each end panel has a foldable side flap extending therefrom. The foldable side flap includes three tabs which are configured to correspond with slits provided in each end panel. Rectangular apertures are provided and configured towards the bottom of the panels with one panel having a slit under the aperture and another having a foldable tongue corresponding to the shape and dimensions of the aperture. Each panel is also provided with bottom flaps extending from the bottom thereof. These are rectangular in nature, having rounded corners and a small rectangular cut-out.



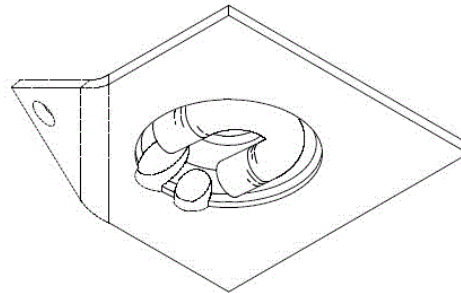
Three-dimensional view from bottom in folded position

21: F2020/00965 22: 2020-07-13 23:
43: 2020-07-13
52: Class 8 24: Part F

71: ROCBOLT TECHNOLOGIES (PTY) LTD.

54: WASHER ASSEMBLIES

57: The design is for a domed washer assembly comprising a plate element formed to have a central dome with a central aperture therethrough, the aperture defining a central axis normal to the plate. A U-ring is provided inside the dome around the central axis.



Three-dimensional view from bottom

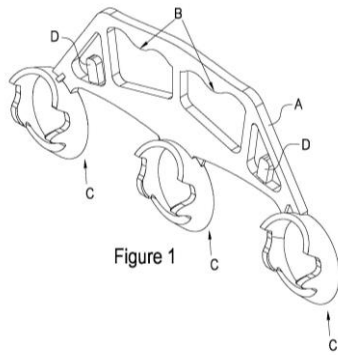
21: F2020/00973 22: 2020-07-14 23:
43: 2020-07-14

52: Class 9 24: Part F

71: HEWITT AND ASSOCIATES (PROPRIETARY) LIMITED

54: Bottle Carriers

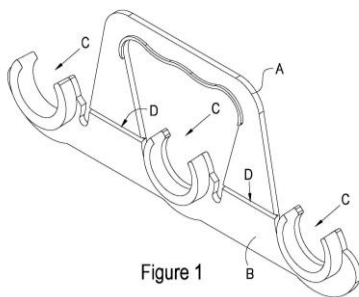
57: This design is for a bottle carrier comprising an isosceles trapezoidal frame comprising a handle adjacent a short end of the frame and roughly tapered cylindrical bottle holders attached to a long end of the frame. The frame may define a pair of spaced apart handle apertures which are separated by a reinforcing strut. The handle apertures are bounded on one side by inwardly disposed curved engagement formations to facilitate ergonomic engagement of the carrier, in use. The frame defines roughly triangular cradles within which are provided slightly angularly disposed packet hooks which project toward the handle of the carrier. The packet hooks have rounded ends. Each bottle holder may be substantially similar and one free end thereof may be angularly disposed toward the handle. The free end of the bottle holders may comprise top portions and pairs of spaced apart engaging formations to engage necks of bottles, in use.



21: F2020/00975 22: 2020-07-14 23:
43: 2020-07-14
52: Class 9 24: Part F
71: HEWITT AND ASSOCIATES (PROPRIETARY) LIMITED

54: Bottle Carriers

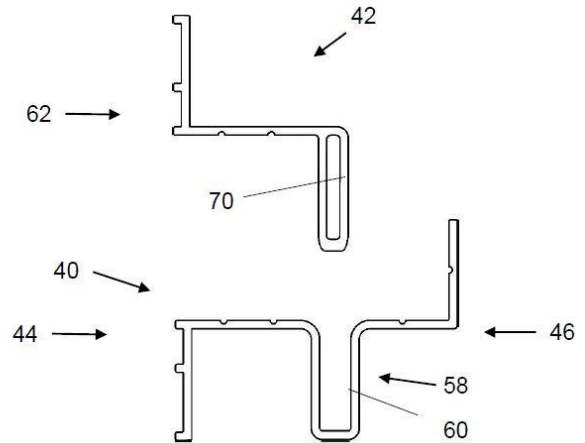
57: This design is for a bottle carrier comprising an isosceles trapezoidal handle portion hingedly connected, via live hinges, to a carrier portion comprising bottle holders. The handle portion defines a void and comprises inwardly disposed curved engagement formations adjacent a short end thereof to facilitate ergonomic engagement of the carrier, in use. The handle portion is connected to the carrier portion adjacent a long end thereof, wherein the long end and the short end are parallel. Each bottle holder may be substantially similar and may be part-cylindrical with a part-circular profile or outline when viewed from the front or rear.



21: F2020/00997 22: 2020-07-17 23:
43: 2021-11-04
52: Class 25 24: Part F
71: MILLIKEN INDUSTRIES S.A. (PTY) LTD
54: A SET OF FIXING MEMBERS

57: The design is applied to a set of fixing members. The features of the design for which protection is claimed are those of the shape and/or configuration and/or pattern of the set of fixing members, substantially as illustrated in the accompanying representations. Features shown in broken lines do

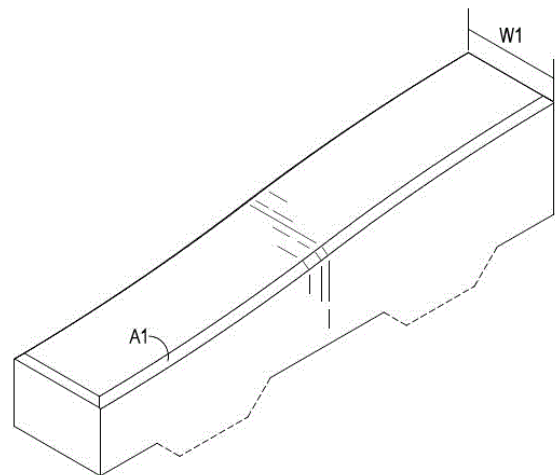
not form part of the design and are disclaimed. Figures 9 - 11 include additional components merely for exemplary purposes and are disclaimed.



21: F2020/01042 22: 2020-07-31 23:
43: 2020-07-15
52: Class 25 24: Part F
71: FOURIE, Jacobus Antonie

54: RAMP BLOCKS

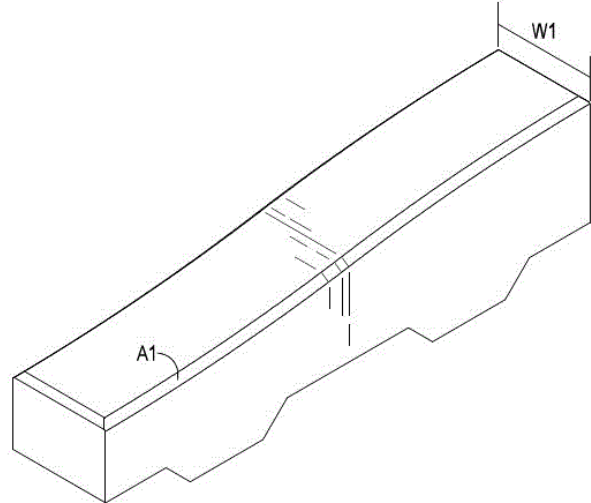
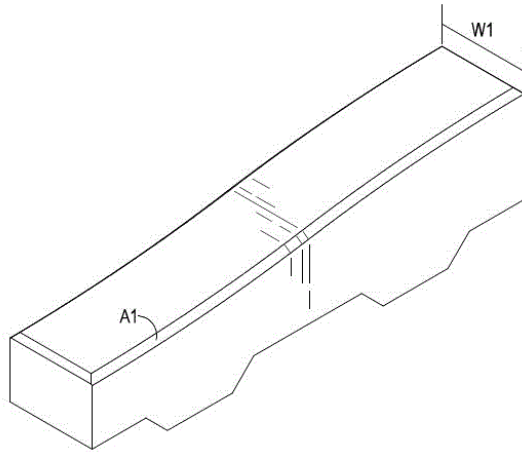
57: The design is for a ramp block, substantially as shown in the accompanying representations.



21: F2020/01043 22: 2020-07-31 23:
43: 2020-07-15
52: Class 25 24: Part F
71: FOURIE, Jacobus Antonie

54: RAMP BLOCKS

57: The design is for a ramp block, substantially as shown in the accompanying representations.



21: F2020/01044 22: 2020-07-31 23:
43: 2020-07-15

52: Class 25 24: Part F
71: FOURIE, Jacobus Antonie

54: RAMP BLOCKS

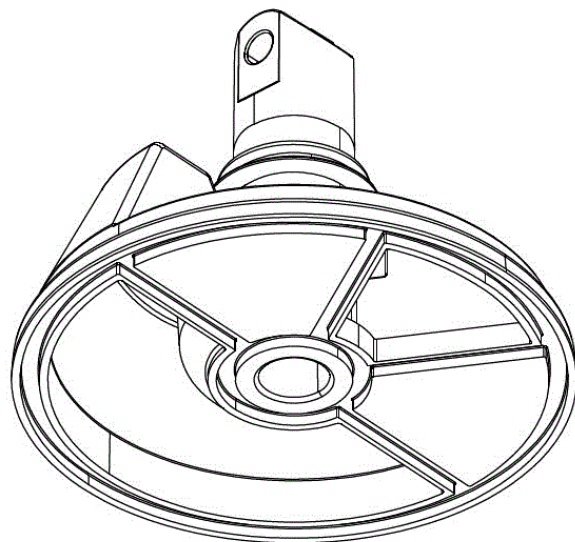
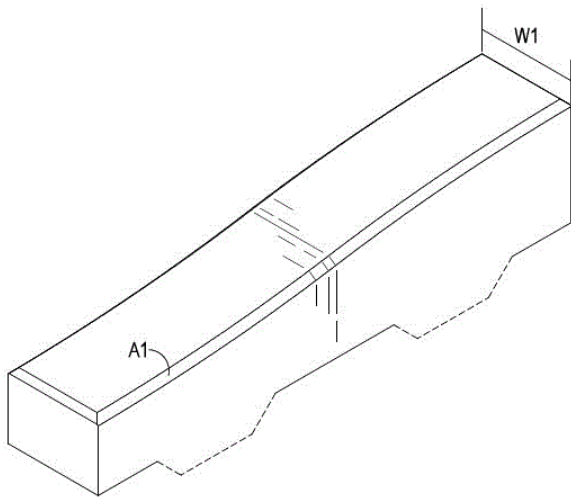
57: The design is for a ramp block, substantially as shown in the accompanying representations.

21: F2020/01115 22: 2020-08-17 23:
43: 2020-08-17

52: Class 23 24: Part F
71: Fluidra Waterlinx (Pty) Ltd

54: Multiport Valves

57: The design is in respect of a multiport valve diffuser which includes a body which is generally circular in shape when viewed from above and a centrally disposed stem which protrudes upwardly from an upper surface of the body. A lower surface of the body defines a downwardly open recess which is generally channel-shaped in cross-section. The recess includes a circular inner portion, a concentric circular outer portion and four angularly spaced radially extending portions which extend between the inner and outer portions. The recess serves to receive a "wagon-wheel" seal or gasket.



21: F2020/01045 22: 2020-07-31 23:
43: 2020-07-15

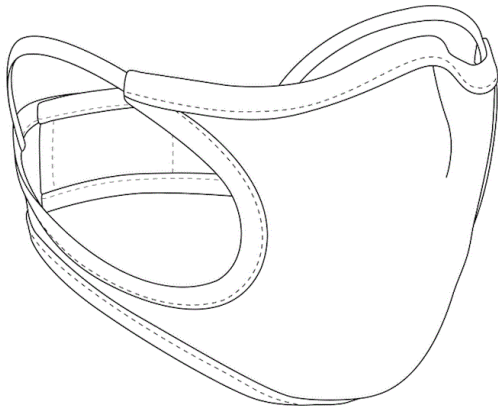
52: Class 25 24: Part F
71: FOURIE, Jacobus Antonie

54: RAMP BLOCKS

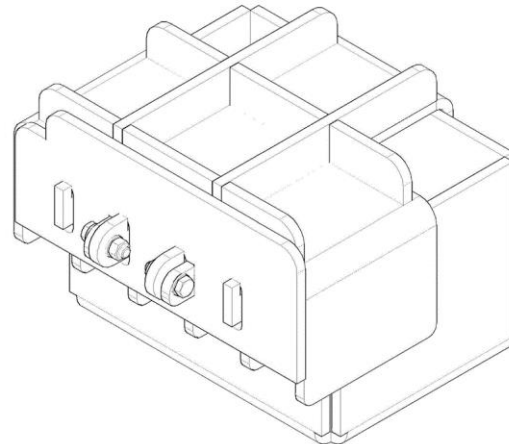
57: The design is for a ramp block, substantially as shown in the accompanying representations.

21: F2020/01142 22: 2020-08-24 23:

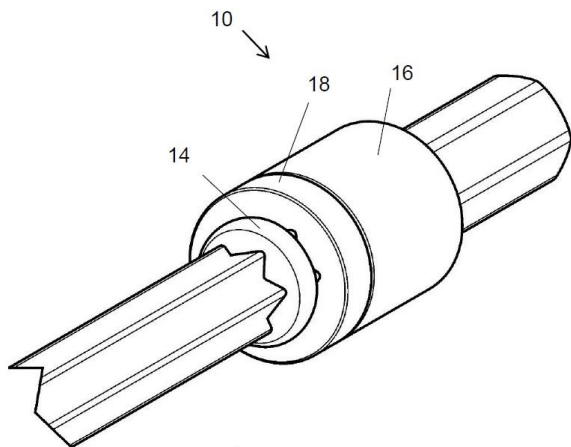
43: 2021-11-15
 52: Class 29 24: Part F
 71: Nuqul Brothers Company Limited
54: SPORTS FACE MASK
 57: The design relates to a Sports Face Mask. The features of the design are those of shape and/or pattern and/or configuration.



71: Jorge Manuel Felicio da Silva
54: BATTERY CASING
 57: The design relates to a Battery casing. The features of the design are those of shape and/or pattern and/or configuration.

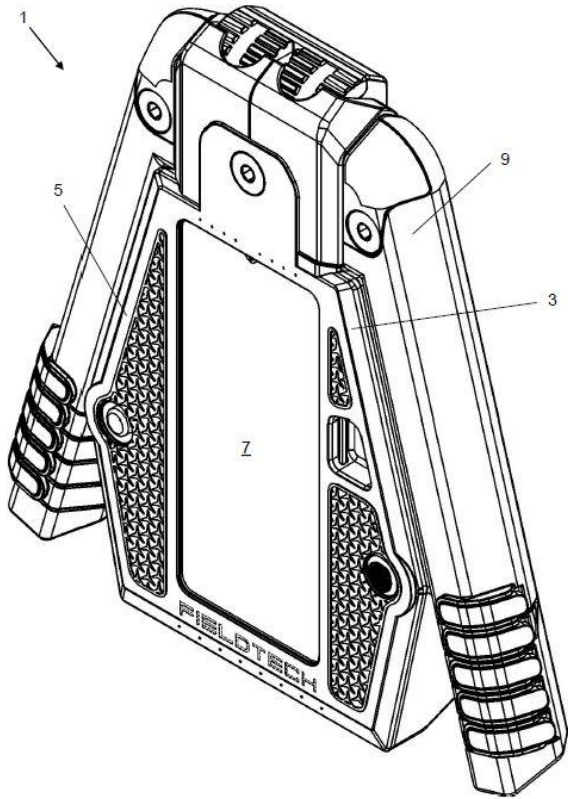


21: F2020/01177 22: 2020-09-02 23:
 43: 2021-11-04
 52: Class 08 24: Part F
 71: DALTRON FORGE (PTY) LTD
54: DRILL STEEL
 57: The design is applied to a drill steel. The features of the design for which protection is claimed are those of the shape and/or configuration of the drill steel, substantially as illustrated in the accompanying representations. The drill steel can be made in different lengths and the length of the drill steel is accordingly disclaimed.

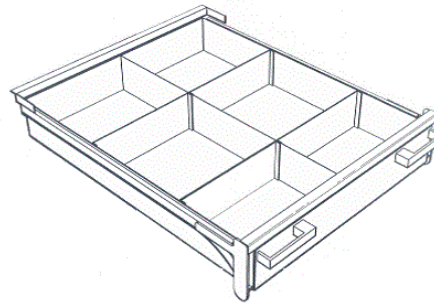


21: F2020/01313 22: 2020-09-30 23:
 43: 2021-11-04
 52: Class 14 24: Part F
 71: FIELDTECH WEARABLE FIELD TECHNOLOGY (PTY) LTD
54: CARRIER FOR ELECTRONIC EQUIPMENT
 57: The design is applied to a carrier for electronic equipment. The features of the design for which protection is claimed are those of the shape and/or configuration and/or pattern of the carrier substantially as illustrated in the accompanying representation. Features shown in broken lines do not form part of the design and are disclaimed. Logos or branding appearing on the carrier do not form part of the design and are disclaimed.

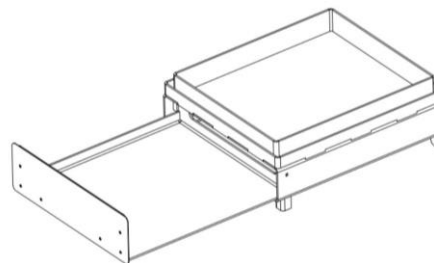
21: F2020/01311 22: 2020-09-30 23:
 43: 2021-12-01
 52: Class 13 24: Part F



21: F2020/01517 22: 2020-11-24 23:
 43: 2021-06-29
 52: Class 12 24: Part F
 71: BLIGNAUT, Daniel
54: STORAGE SYSTEM
 57: The design is applied to a storage system which includes a drawer mounted slidably onto a mounting arrangement, the mounting arrangement further being configured to be mounted to a ceiling of a vehicle canopy, vehicle cab, or the like. The drawer in turn includes a plurality of variable dividers/walls arranged in a criss-cross format to define a plurality of compartments of preferred dimensions for storing goods, and, a pair of handles. The features of the design for which protection is claimed include the shape, pattern and/or configuration of the storage system as shown in the drawings, showing the overall appearance thereof.

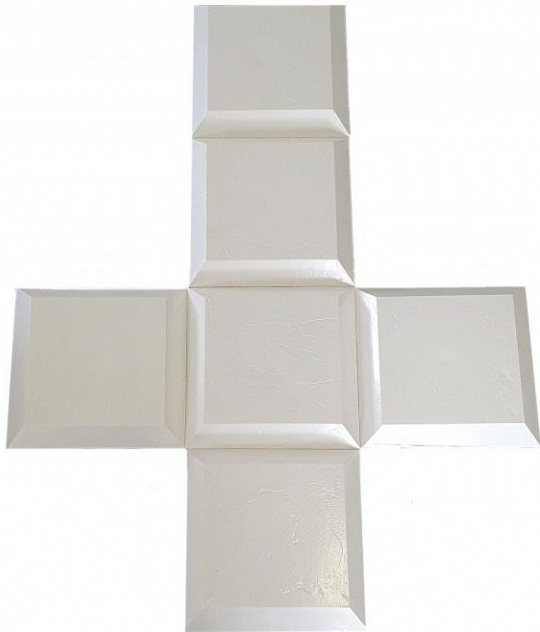


21: F2020/01587 22: 2020-12-04 23:
 43: 2021-07-25
 52: Class 07 24: Part F
 71: PIZZA BRAAI BOX (PTY) LTD
54: AN OVEN
 57: The features of the design for which novelty is claimed are the shape and / or configuration of an OVEN as shown in the accompanying representations.



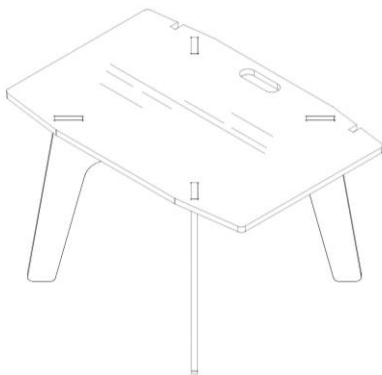
IN USE

21: F2020/01611 22: 2020-12-10 23:
 43: 2021-12-01
 52: Class 9 24: Part F
 71: CG PAK (Pty) Ltd
54: INSULATING BOX LINER BLANK
 57: The design relates to a Insulating box liner blank. The features of the design are those of shape and/or pattern and/or configuration.



21: F2021/00083 22: 2021-02-03 23:
43: 2020-08-03
52: Class 6 24: Part F
71: UNIVERSITY OF JOHANNESBURG
54: DESK

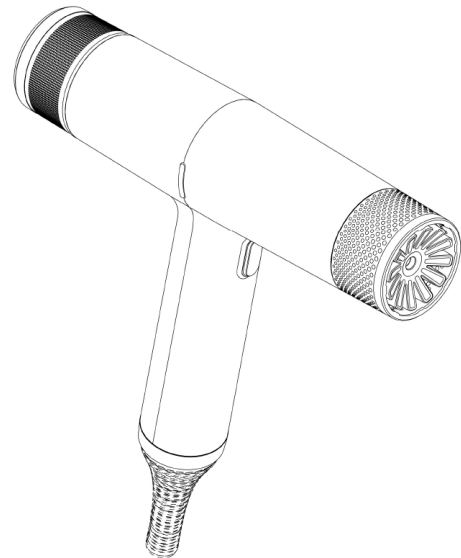
57: The design is applied to a desk. The features of the design for which protection is claimed include the shape and/or configuration of the desk substantially as shown in the accompanying representations.



Three-dimensional view from top

21: F2021/00180 22: 2021-02-25 23:
43: 2021-09-21
52: Class 28 24: Part F
71: GA.MA S.R.L. UNIPERSONALE
33: ES 31: 008155246-0001 32: 2020-09-01
54: HAIR DRIERS

57: The novelty of the design resides in the shape and/or configuration of a hair drier, substantially as shown in the accompanying representations.



21: F2021/00210 22: 2021-03-03 23:
43: 2021-10-12
52: Class 06 24: Part F
71: GEBERIT INTERNATIONAL AG
33: IB 31: DM/210 938 32: 2020-09-07
33: CN 31: 2020 30 524 320.3 32: 2020-09-07
33: CN 31: 2020 30 525 574.7 32: 2020-09-07
54: BATHROOM CABINET

57: The design is applied to a bathroom cabinet. The features of the design for which protection is claimed are those of the shape and/or configuration of the bathroom cabinet, substantially as illustrated in the accompanying representation.



21: F2021/00211 22: 2021-03-03 23:
43: 2021-10-12
52: Class 06 24: Part F
71: GEBERIT INTERNATIONAL AG
33: IB 31: DM/210 938 32: 2020-09-07
33: CN 31: 2020 30 524 320.3 32: 2020-09-07
33: CN 31: 2020 30 525 574.7 32: 2020-09-07

54: BATHROOM CABINET

57: The design is applied to a bathroom cabinet. The features of the design for which protection is claimed are those of the shape and/or configuration of the bathroom cabinet, substantially as illustrated in the accompanying representation.

21: F2021/00212 22: 2021-03-03 23:
43: 2021-10-12
52: Class 06 24: Part F
71: GEBERIT INTERNATIONAL AG
33: IB 31: DM/210 938 32: 2020-09-07
33: CN 31: 2020 30 524 320.3 32: 2020-09-07
33: CN 31: 2020 30 525 574.7 32: 2020-09-07

54: BATHROOM CABINET

57: The design is applied to a bathroom cabinet. The features of the design for which protection is claimed are those of the shape and/or configuration of the bathroom cabinet, substantially as illustrated in the accompanying representation.



21: F2021/00213 22: 2021-03-03 23:
43: 2021-10-12
52: Class 06 24: Part F
71: GEBERIT INTERNATIONAL AG
33: IB 31: DM/210 938 32: 2020-09-07
33: CN 31: 2020 30 524 320.3 32: 2020-09-07
33: CN 31: 2020 30 525 574.7 32: 2020-09-07

54: BATHROOM CABINET

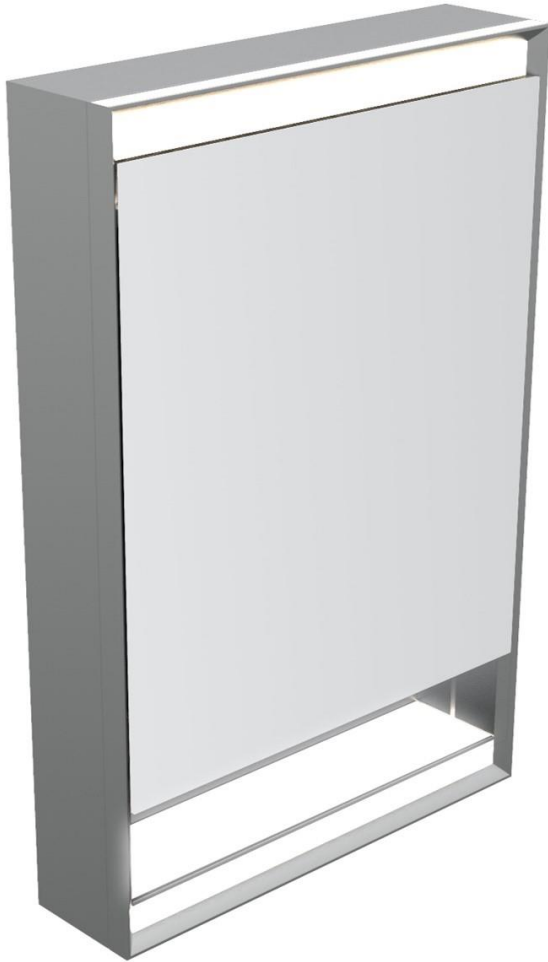
57: The design is applied to a bathroom cabinet. The features of the design for which protection is claimed are those of the shape and/or configuration of the bathroom cabinet, substantially as illustrated in the accompanying representation.



21: F2021/00214 22: 2021-03-03 23:
43: 2021-10-12
52: Class 06 24: Part F
71: GEBERIT INTERNATIONAL AG
33: IB 31: DM/210 938 32: 2020-09-07
33: CN 31: 2020 30 524 320.3 32: 2020-09-07
33: CN 31: 2020 30 525 574.7. 32: 2020-09-07

54: BATHROOM CABINET

57: The design is applied to a bathroom cabinet. The features of the design for which protection is claimed are those of the shape and/or configuration of the bathroom cabinet, substantially as illustrated in the accompanying representation.



21: F2021/00215 22: 2021-03-03 23:
43: 2021-10-12
52: Class 06 24: Part F
71: GEBERIT INTERNATIONAL AG
33: IB 31: DM/210 938 32: 2020-09-07
33: CN 31: 2020 30 524 320.3 32: 2020-09-07
33: CN 31: 2020 30 525 574.7 32: 2020-09-07

54: BATHROOM CABINET

57: The design is applied to a bathroom cabinet. The features of the design for which protection is claimed are those of the shape and/or configuration of the bathroom cabinet, substantially as illustrated in the accompanying representation

21: F2021/00216 22: 2021-03-03 23:
43: 2021-10-12
52: Class 06 24: Part F
71: GEBERIT INTERNATIONAL AG
33: IB 31: DM/210 938 32: 2020-09-07
33: CN 31: 2020 30 524 320.3 32: 2020-09-07
33: CN 31: 2020 30 525 574.7 32: 2020-09-07

54: BATHROOM CABINET

57: The design is applied to a bathroom cabinet. The features of the design for which protection is claimed are those of the shape and/or configuration of the bathroom cabinet, substantially as illustrated in the accompanying representation.



21: F2021/00217 22: 2021-03-03 23:
43: 2021-10-12
52: Class 06 24: Part F
71: GEBERIT INTERNATIONAL AG
33: IB 31: DM/210 938 32: 2020-09-07
33: CN 31: 2020 30 524 320.3 32: 2020-09-07
33: CN 31: 2020 30 525 574.7 32: 2020-09-07

54: BATHROOM CABINET

57: The design is applied to a bathroom cabinet. The features of the design for which protection is claimed are those of the shape and/or configuration of the bathroom cabinet, substantially as illustrated in the accompanying representation.

21: F2021/00218 22: 2021-03-03 23:
43: 2021-10-12
52: Class 06 24: Part F
71: GEBERIT INTERNATIONAL AG
33: IB 31: DM/210 938 32: 2020-09-07
33: CN 31: 2020 30 524 320.3 32: 2020-09-07
33: CN 31: 2020 30 525 574.7 32: 2020-09-07

54: BATHROOM CABINET

57: The design is applied to a bathroom cabinet. The features of the design for which protection is claimed are those of the shape and/or configuration of the bathroom cabinet, substantially as illustrated in the accompanying representation.



21: F2021/00219 22: 2021-03-03 23:
 43: 2021-10-12
 52: Class 06 24: Part F
 71: GEBERIT INTERNATIONAL AG
 33: IB 31: DM/210 938 32: 2020-09-07
 33: CN 31: 2020 30 524 320.3 32: 2020-09-07
 33: CN 31: 2020 30 525 574.7 32: 2020-09-07

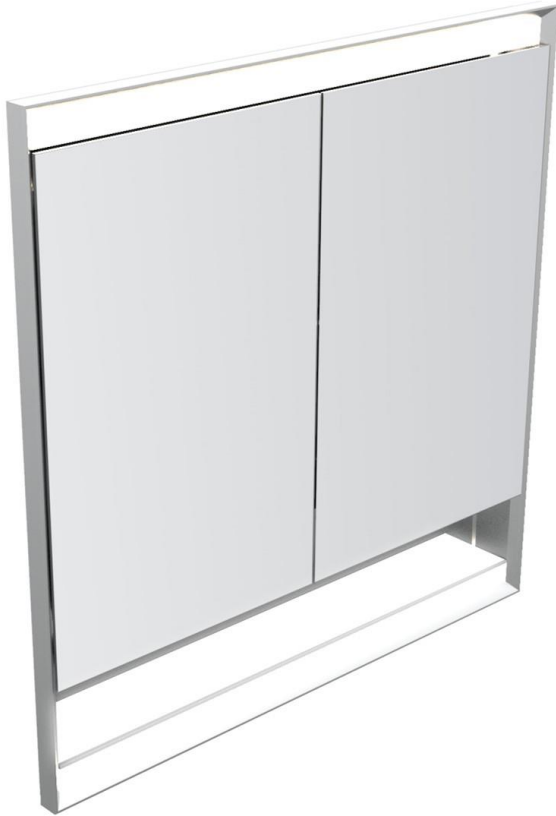
54: BATHROOM CABINET

57: The design is applied to a bathroom cabinet. The features of the design for which protection is claimed are those of the shape and/or configuration of the bathroom cabinet, substantially as illustrated in the accompanying representation.

21: F2021/00220 22: 2021-03-03 23:
 43: 2021-10-12
 52: Class 06 24: Part F
 71: GEBERIT INTERNATIONAL AG
 33: IB 31: DM/210 938 32: 2020-09-07
 33: CN 31: 2020 30 524 320.3 32: 2020-09-07
 33: CN 31: 2020 30 525 574.7 32: 2020-09-07

54: BATHROOM CABINET

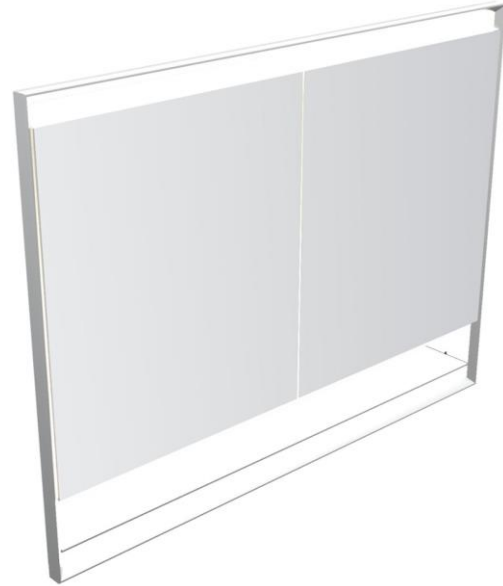
57: The design is applied to a bathroom cabinet. The features of the design for which protection is claimed are those of the shape and/or configuration of the bathroom cabinet, substantially as illustrated in the accompanying representation.



21: F2021/00221 22: 2021-03-03 23:
 43: 2021-10-12
 52: Class 06 24: Part F
 71: GEBERIT INTERNATIONAL AG
 33: IB 31: DM/210 938 32: 2020-09-07
 33: CN 31: 2020 30 524 320.3 32: 2020-09-07
 33: CN 31: 2020 30 525 574.7 32: 2020-09-07

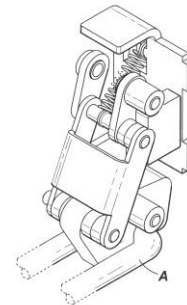
54: BATHROOM CABINET

57: The design is applied to a bathroom cabinet. The features of the design for which protection is claimed are those of the shape and/or configuration of the bathroom cabinet, substantially as illustrated in the accompanying representation.



21: F2021/00225 22: 2021-03-04 23:
 43: 2021-11-02
 52: Class 08 24: Part F
 71: CENTURION SYSTEMS (PTY) LIMITED
54: GATE LOCK

57: The features of the design for which protection is claimed reside in the shape and/or configuration of the gate lock arrangement substantially as shown in the accompanying representations. The releasable slide (designated as "A") may be of any length.

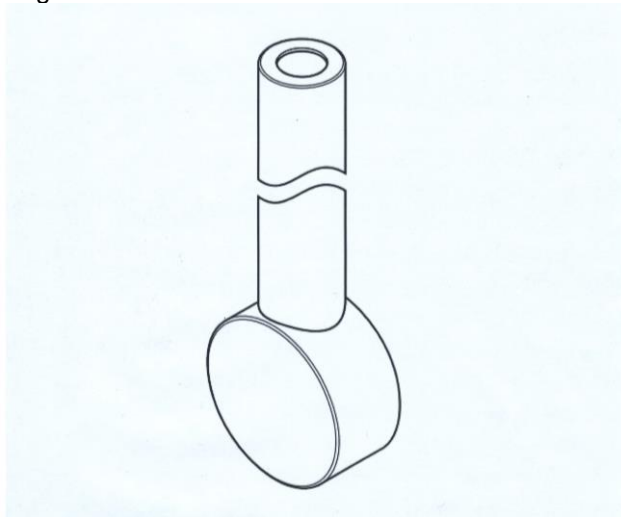


SECOND PERSPECTIVE
 VIEW OF ARRANGEMENT

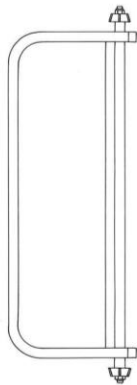
21: F2021/00262 22: 2021-03-15 23:
 43: 2021-11-02
 52: Class 17 24: Part F
 71: TJODI TRADING (PTY) LTD
54: RESONATOR

57: The features for which protection is claimed reside in the shape or configuration of a resonator which is used in a musical instrument, specifically in a marimba, substantially as shown in the

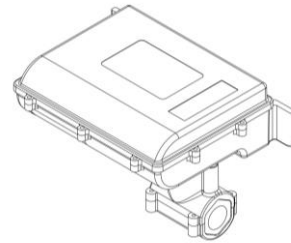
accompanying representations, irrespective of the length of the resonator.



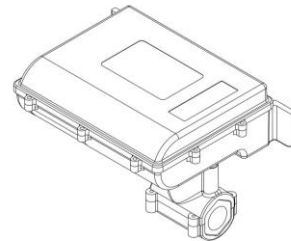
21: F2021/00268 22: 2021-03-17 23:
43: 2021-11-02
52: Class 12 24: Part F
71: Bombardier Transportation GmbH
54: MIRROR FOR RAIL VEHICLES
57: The features of the design for which protection is claimed include the shape and/or configuration and/or pattern of an article substantially as shown in the accompanying representation(s).



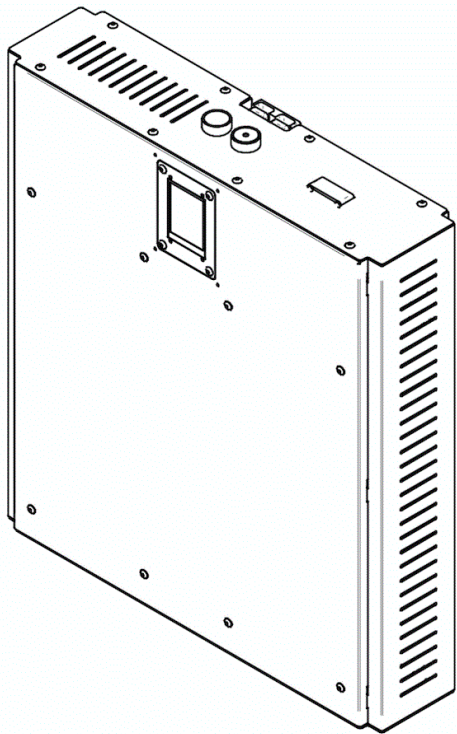
21: F2021/00297 22: 2021-03-23 23:
43: 2021-11-02
52: Class 23 24: Part F
71: DE BRUYN, Daniel Gert
54: FLOW CONTROL DEVICE
57: The design relates to a Flow Control Device. The features of the design are those of shape and/or pattern and/or configuration.



21: F2021/00298 22: 2021-03-23 23:
43: 2021-11-02
52: Class 10 24: Part F
71: DE BRUYN, Daniel Gert
54: FLOW CONTROL DEVICE
57: The design relates to a Flow Control Device. The features of the design are those of shape and/or pattern and/or configuration.



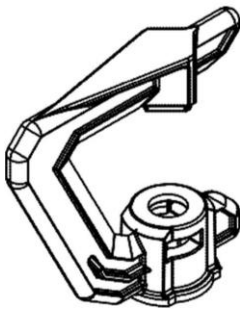
21: F2021/00304 22: 2021-03-25 23:
43: 2021-11-02
52: Class 13 24: Part F
71: Jacob Johannes Kachelhoffer
54: BATTERY MODULE
57: The design relates to a Battery module. The features of the design are those of shape and/or pattern and/or configuration.



21: F2021/00312 22: 2021-03-26 23:
43: 2021-11-02
52: Class 23 24: Part F
71: Agriplas (Pty) Ltd

54: WATER SPRAYER COMPONENT

57: The features of the design for which protection is claimed include the shape and/or configuration and/or pattern of an article substantially as shown in the accompanying representation(s).

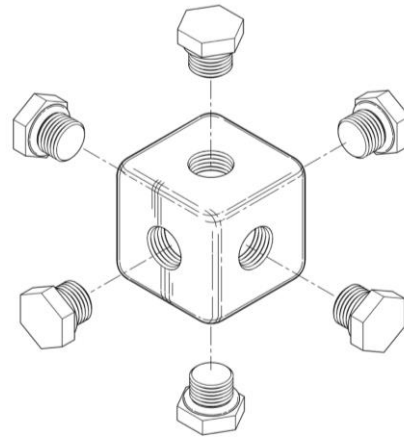


21: F2021/00323 22: 2021-03-30 23:
43: 2021-11-02
52: Class 23 24: Part F
71: SMUTS, Gerhard

54: IRRIGATION COUPLINGS

57: The design is for an irrigation coupling, capable of receiving and diverting the flow of water in

different directions. The irrigation coupling includes a body that is substantially cube shaped and has a connection opening on each side of the body. The connection openings are connected to each other through an inner passage. The connection openings are in flow communication with each other, thereby creating a six-way junction for water flowing through the body. Furthermore, the irrigation coupling includes a plurality of bolts capable of closing the openings in the body and thereby controlling the directional flow of water through the body. The connection openings include threaded inner surfaces, of which the threaded surfaces are complimentary to threaded portions of the bolts, thereby ensuring the closure of the openings are watertight.



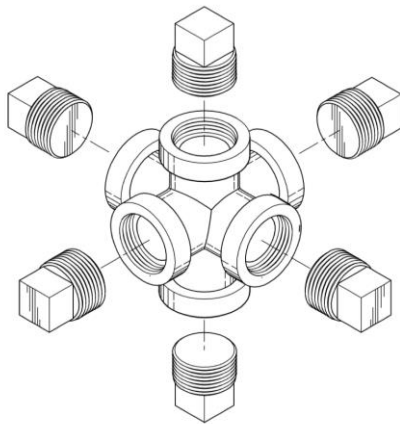
Exploded three-dimensional view

21: F2021/00324 22: 2021-03-30 23:
43: 2021-11-02
52: Class 23 24: Part F
71: SMUTS, Gerhard

54: IRRIGATION COUPLINGS

57: The design is for an irrigation coupling, capable of receiving and diverting the flow of water in different directions. The irrigation coupling includes a six-way fluid conduit coupling comprising of six legs transversally arranged and connected through a single centroid, creating a flow communication between all the legs. Furthermore, the legs extend radially the same distance from the single centroid. Each leg is tubularly shaped of which a rim portion includes an external flange. An inner surface of each leg includes a threaded portion from the opening, in an inwards direction. The flow communication of the irrigation coupling is altered by means of closing one or more of the openings, by inserting a plug therein, thereby restricting flow therethrough. The plug includes a threaded portion,

complementary shaped to the threaded portion of the inner surface of the legs, and a gripping portion used to insert or retract the plug.



Exploded three-dimensional view

21: F2021/00341 22: 2021-03-31 23:
43: 2021-11-02
52: Class 23 24: Part F
71: Superstop (Pty) Ltd

54: STOPPER

57: The design relates to a Stopper. The features of the design are those of shape and/or pattern and/or configuration.

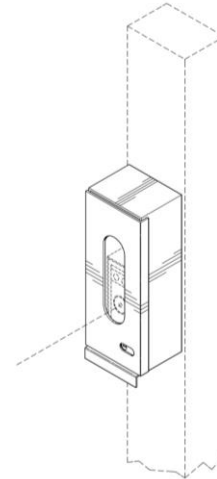


21: F2021/00352 22: 2021-04-06 23:
43: 2021-11-02
52: Class 08 24: Part F
71: SJR Staalwerke CC

54: GATE BEAM COVERS

57: The design is for a gate beam cover, capable of safeguarding a sensing device that in use, is attached to a vertical member. The cover includes a housing that is rectangularly shaped and a lid that is hingably connected to the housing, thereby allowing the housing to be opened or closed. In use, the sensing device is disposed within the housing, the housing includes attachments openings that allows the sensing device to be attached to the vertical member, through the housing and also thereby

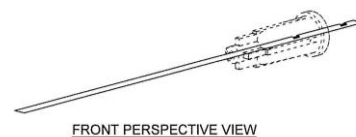
securing the housing to the vertical member. Furthermore, the lid includes an opening in the form of spherocylinder, orientated in a longitudinal direction relative to the lid. In use, the sensing device and the opening is aligned in order to allow the sensing device to be able to detect motion on an outer perimeter of the housing and/or send/receive an infrared beam through the opening.



21: F2021/00383 22: 2021-04-14 23:
43: 2021-11-16
52: Class 24 24:
71: VIROBUSTER (PTY) LIMITED

54: A MEDICAL NEEDLE ASSEMBLY

57: The design relates to a medical needle assembly. The features of the design for which protection is claimed reside in the shape and/or configuration of the medical needle, substantially as illustrated in the accompanying representations.

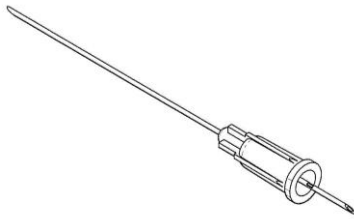


FRONT PERSPECTIVE VIEW

21: F2021/00384 22: 2021-04-14 23:
43: 2021-11-16
52: Class 24 24:
71: VIROBUSTER (PTY) LIMITED

54: A MEDICAL NEEDLE ASSEMBLY

57: The design relates to a medical needle assembly. The features of the design for which protection is claimed reside in the shape and/or configuration of the medical needle, substantially as illustrated in the accompanying representations

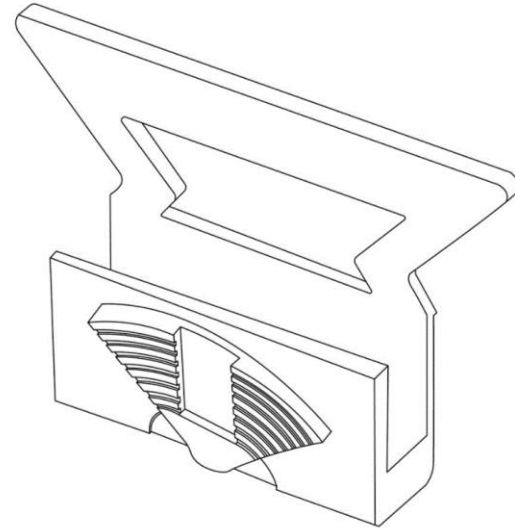


REAR PERSPECTIVE VIEW

21: F2021/00432 22: 2021-04-22 23:
 43: 2021-11-16
 52: Class 8 24:
 71: OMNICO (PTY) LIMITED
 33: EU 31: 008301196-0001 32: 2020-12-01

54: LIQUID APPLICATOR

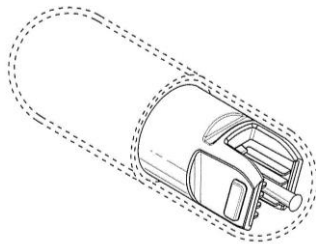
57: The design relates to a liquid applicator. The features of the design are those of shape and/or configuration and/or pattern.



21: F2021/00523 22: 2021-05-18 23:
 43: 2021-12-03
 52: Class 25 24: Part F
 71: DREAM AFRICAN FOUNDATION (PTY) LTD

54: SAFETY BARRIER

57: The features of the design for which protection is claimed reside in the shape and/or configuration of the safety barrier substantially as shown in the accompanying representations. The safety barrier can withstand an underground explosion and high pressure applied to a safety chamber resulting from the explosion.

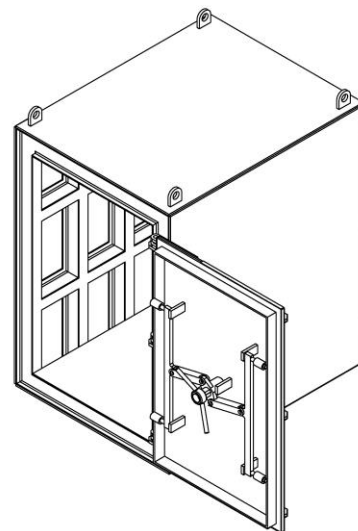


PERSPECTIVE VIEW

21: F2021/00496 22: 2021-05-14 23:
 43: 2021-12-03
 52: Class 8 24: Part F
 71: Qingdao Raising Inox CO., LTD

54: KITS FOR ADJUSTABLE GLASS RAILING

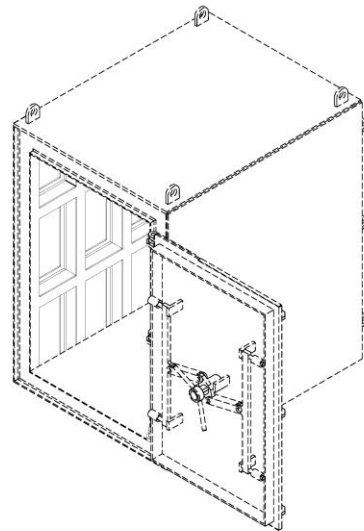
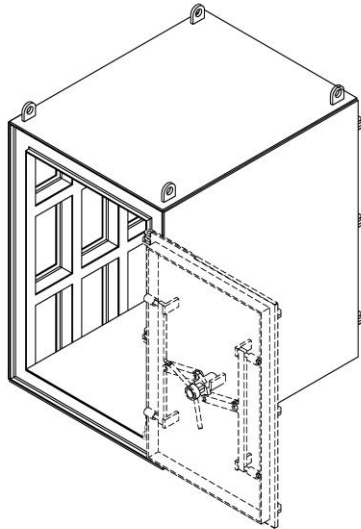
57: The design relates to a Kits for adjustable glass railing. The features of the design are those of shape and/or pattern and/or configuration.



21: F2021/00525 22: 2021-05-18 23:
 43: 2021-12-03
 52: Class 25 24: Part F
 71: DREAM AFRICAN FOUNDATION (PTY) LTD

54: SAFETY BARRIER

57: The features of the design for which protection is claimed reside in the shape and/or configuration of the safety barrier substantially as shown in the accompanying representations irrespective of the appearance of the features in dashed lines. The safety barrier can withstand an underground explosion and high pressure applied to a safety chamber resulting from the explosion.



21: F2021/00527 22: 2021-05-18 23:
43: 2021-12-03
52: Class 25 24: Part F
71: DREAM AFRICAN FOUNDATION (PTY) LTD

54: SAFETY BARRIER

57: The features of the design for which protection is claimed reside in the shape and/or configuration of the safety barrier substantially as shown in the accompanying representations irrespective of the appearance of the features in dashed lines. The safety barrier can withstand an underground explosion and high pressure applied to a safety chamber resulting from the explosion.

HYPOTHECATIONS

No records available

JUDGMENTS

No records available

OFFICE PRACTISE NOTICES

No records available

4. COPYRIGHT

COPYRIGHT IN CINEMATOGRAPH FILMS**NOTICES OF ACCEPTANCE****(Applications filed in terms of Act No. 62 of 1977)**

Any person, who has grounds for objection to the registration of the copyright in any of the following cinematographs films, may within the prescribed time, lodge Notice of Opposition on Form RF 5 contained in the Second Schedule to the Registration of Copyright in Cinematograph Films Regulations, 1980. The prescribed time is one month after the date of advertisement .This period may on application be extended by the Registrar.

The numerical denote the following: **(21)** Official application number. **(22)** Date of application. **(43)** Date of acceptance. **(24)** Date(s) and place(s) at which cinematograph films was made. **(25)** Date and place of first publication. **(71)** Name (s) of all applicant (s). **(75)** Name of author. **(76)** Name of producer **(77)** Name of director **(54)** Title of cinematograph film. **(78)** Name(s) of principal players or narrator. **(26)** Places at which cinematograph film may be viewed and conditions. **(55)** Specimen lodged/Not lodged. **(56)** Preview requested/Not requested. **(57)** Abstract (Storyline). **(58)** Category.

No records available

HYPOTHECATIONS

No records available

JUDGMENTS

No records available

OFFICE PRACTISE NOTICES

No records available

5. CORRECTION NOTICES

TRADE MARK CORRECTION NOTICES

No records available

PATENT CORRECTION NOTICES

The patent application no: **2021/04646** was advertised in the **September 2021 journal** with one inventor instead of four inventors and also the publication drawing was omitted. The publication should appeared as the one below and the publication date will remain **29/09/2021**.

21: 2021/04646. 22: 2021/07/05. 43: 2021/09/01

51: C03B

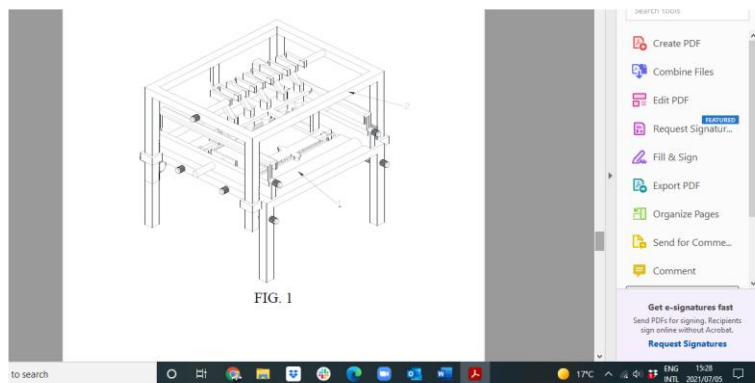
71: Anhui University of Science and Technology

72: **HUANG, Guodong, SUN, Yuhua, YU, Qing, ZHANG, Xingyu, YANG, Zhe**

54: DETECTION DEVICE FOR CEMENT-BASED MATERIAL PRODUCTION

00: -

A detection device for cement-based material production is disclosed. The detection device includes a workbench, and a moving member is disposed on the workbench. Symmetrically distributed vertical plates are disposed on the workbench, a pressing plate is disposed on the vertical plate, a first motor is disposed on a side of the vertical plate, an output end of the first motor is tightly connected to the pressing plate, symmetrically distributed rollers are disposed between the vertical plates, a hydraulic rod is disposed on a side of the vertical plate, and a clamping plate is disposed on an output end of the hydraulic rod. The detection device of the present invention detects the impact resistance of a cement-based material by using a sliding member. The detection device is easy to use and firmly fixed, and has a small detection error. The detection device of the present invention is simple in structure, convenient in use, and low in costs.



The patent application no: **2021/04390** was advertised in the **September 2021 journal** with one inventor instead of four inventors and also the publication drawing was omitted. The publication should appeared as the one below and the publication date will remain the **29/09/2021**.

21: 2021/04390. 22: 2021/06/25. 43: 2021/09/01

51: B23B

71: Anhui University of Science and Technology

72: **YU, Caofeng, XIAO, Zhihao, CHEN, Zhuo, WANG, Yu, DUAN, Yongyong, WU, Gan**

54: CLAMPING DEVICE FOR USE IN FINE TURNING OF AUTOMOTIVE BRAKE DISC

00: -

The present invention relates to the field of clamping devices, and in particular, to a clamping device for use in fine turning of an automotive brake disc, and the following solutions are hereby proposed. The clamping device for

use in fine turning of an automotive brake disc includes: a disc, a plurality of hollow posts being fixedly connected to one end face of the disc, a first post being disposed in each of the hollow posts, one end of the first post extending out of the hollow post, a through hole being formed at the other end of the first post, a first rod being slidably connected to the through hole, a plurality of sliding grooves in communication with the through hole being formed on a side face of the first post, a fixed rod being disposed in each of the sliding grooves, a gear wheel being fixedly connected to one end of the fixed rod, the gear wheel being rotatably connected to a corresponding sliding groove, a rack corresponding to the gear wheel being disposed on a side face of the first rod, the gear wheel being meshed with the rack, a baffle being fixedly connected to one end of the first rod, the baffle being mated with the fixed rod. The present invention achieves the purposes of fixing a brake disc body and conveniently adjusting a position of the brake disc body, avoiding damage to an outer circular face of the brake disc body.

The patent application number **2018/05530** was advertised in the April 2019 journal with an incorrect order of inventors' names and it should have appeared as the one below. However the publication date will remain the **24/04/2019**.

21: 2018/05530. 22: 2018/08/17. 43: 2019/04/03

51: E21B

71: SINOPEC SOUTHWEST OIL AND GAS
COMPANY, CHINA PETROLEUM AND CHEMICAL
CORPORATION

72: **GAN, Zhenwei, QI, Bin, HU, Shunqu, HOU, Zhimin, LIN, Yongmao, LIU, Tao, CHEN, Chen, WANG, Lei, HU, Dan, QIAN, Jiang**

33: CN 31: 201610036843.6 32: 2016-01-20

33: CN 31: 201610037103.4 32: 2016-01-20

33: CN 31: 201610038915.0 32: 2016-01-20

33: CN 31: 201610037341.5 32: 2016-01-20

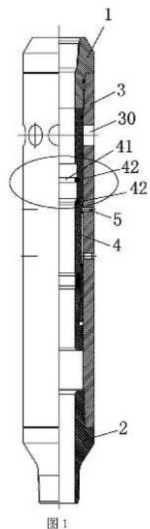
33: CN 31: 201610037797.1 32: 2016-01-20

33: CN 31: 201620054067.8 32: 2016-01-20

54: NOVEL SLIDING SLEEVE

00: -

A sliding sleeve comprises an upper connector (1), a lower connector (2), an outer cylinder (3), an inner cylinder (4), and a shear pin (5). The upper connector (1) and the lower connector (2) are respectively connected to two ends of the outer cylinder (3). The inner cylinder (4) is locked in the outer cylinder (3) by means of the shear pin (5). A flow guide hole (30) is formed in the outer cylinder (3), and the inner cylinder (4) can open or close the flow guide hole (30). At least two grooves (41) used for matching at least two corresponding toothshaped members are formed in the inner cylinder (4) along an axis direction. An erosion resistant ring (42) is embedded in each groove (41), and the inner diameter of the erosion resistant ring (42) is greater than or equal to the inner diameter of the inner cylinder (4).



The patent application number **2021/06692** was advertised in the **November 2021 journal** with incorrect applicant name as **SHANDONG JIAOTONG UNIVERSITY** and **FANGYUAN LI, KUN JIANG, XIA WANG, ZENGLEI FENG** and the applicants should have appeared as **SHANDONG JIAOTONG UNIVERSITY** and **SHANDONG VOCATIONAL AND TECHNICAL UNIVERSITY OF ENGINEERING**. The whole advertisement should have appeared as the one below. However the publication date will remain the **24/11/2021**.

21: 2021/06692. 22: 2021/09/10. 43: 2021/11/12

51: B60B; F16G

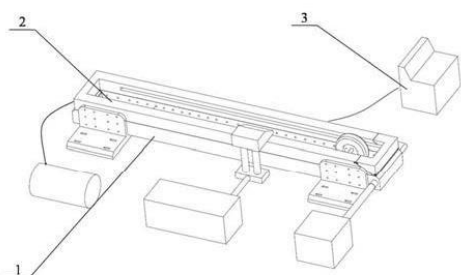
71: **SHANDONG JIAOTONG UNIVERSITY**

72: **SHANDONG VOCATIONAL AND TECHNICAL UNIVERSITY OF ENGINEERING**

54: DEVICE FOR TESTING PERFORMANCE OF AUTOMOBILE SNOW CHAINS

00: -

The present invention discloses a device for testing performance of automobile snow chains. The device comprises a snow simulation device, a test wheel device and a control device; the snow simulation device comprises a simulated road; snow making equipment is arranged on a side part of the simulated road, and is used for making snow and laying the snow on the simulated road; one end of the simulated road is connected with circulating water equipment; the circulating water equipment provides a water source for the snow making equipment and recovers water on the simulated road; the test wheel device comprises a guide rail assembly arranged on the simulated road; a test wheel assembly is arranged on the guide rail assembly in a matching manner and can reciprocate along the guide rail assembly; and both the snow simulation device and the test wheel device are connected with the control device.



The abstract and bibliographic details of patent application number **2020/03844** were erroneously included in the **November 2021 Patent Journal**. The application should remain pending and not proceeded to grant. The publication of patent application number **2020/03844** in the November 2021 journal is **Null and Void**.

The patent restoration under application no: **2015/07129** was advertised in the November 2021 with some few typo errors on it and it should appeared as the one below and the **24/11/2021** will remain the valid publication date.

The publication should read:

THE GREEN ENERGY WAREHOUSE CC t/a SUNTOY OF ADAMS & ADAMS, 4 DAVENTRY ROAD, LYNNWOOD MANOR, PRETORIA, 0001 that made application for the Restoration of the Patent granted to said **THE GREEN ENERGY WAREHOUSE CC t/a SUNTOY** entitled **TETHERED SOLAR LAMP ARRANGEMENT numbered 2015/07129 dated 25/09/2015** which became void on **25/09/2020** owing to the non-payment of the prescribed renewal fee.

Any person may give notice of opposition on Patent Form No.19 to the restoration of the patent within two months of the advertisement thereof.

Registrar of Patents

DESIGNS CORRECTION NOTICES

The Notice of Acceptance of the South African Design No. **A2020/01107** in the name of **Colgate-Palmolive Company** was erroneously published in the Patent Journal of **June 2021** therefore its publication in the June journal 2021 is **Null and Void**.

COPYRIGHT CORRECTION NOTICES

No records available

PATENTS

Advertisement List for December 2021

Number of Advertised Patents: 603

Application Number	Patent Title	Filing Date
2012/03059	HETEROLOGOUS EXPRESSION OF FUNGAL CELLOBIOHYDROLASE 2 GENES IN YEAST	2012/04/25
2013/09419	PYRROLIDINYL UREA AND PYRROLIDINYL THIOUREA COMPOUNDS AS TRKA KINASE INHIBITORS	2013/12/12
2015/00772	FIN PLUG FOR WATER CRAFT	2015/02/03
2015/03031	WIND POWER PLANT AND WIND POWER PLANT TOWER	2015/05/04
2016/02873	ONCOLYTIC HSV VECTOR	2016/04/26
2016/03391	ANTIBODIES AND METHODS OF USE	2016/05/18
2016/04656	CARRIAGE OF HEVC EXTENSION BITSTREAMS AND BUFFER MODEL WITH MPEG-2 SYSTEMS	2016/07/07
2016/07962	NON-HUMAN ANIMALS HAVING A HUMANIZED PROGRAMMED CELL DEATH 1 GENE	2016/11/17
2016/08032	BLIND NUT, FASTENING ARRANGEMENT AND METHOD OF FASTENING	2016/11/21
2016/08762	METHODS AND COMPOSITIONS FOR TARGETED GENETIC MODIFICATIONS AND METHODS OF USE	2016/12/20
2017/01094	TRANSFORM MAP AT PRINTER CARTRIDGE	2017/02/14
2017/03192	CD44V6-DERIVED CYCLIC PEPTIDES FOR TREATING CANCERS AND ANGIOGENESIS RELATED DISEASES	2017/05/09
2017/03371	HAY PRESERVATIVE AND METHODS FOR PRESERVATION OF HAY	2017/05/16
2017/03374	LOADING/UNLOADING UNIT FOR HYDROGEN, INSTALLATION COMPRISING SAID LOADING/UNLOADING UNIT AND METHOD FOR STORING AND RELEASING ENERGY	2017/05/16
2017/03707	ARRANGEMENT FOR ROCK BOLTS AND A METHOD FOR THE USE OF THE ARRANGEMENT, AND A REINFORCEMENT SYSTEM COMPRISING SUCH AN ARRANGEMENT	2017/05/30
2017/03869	STYRENE-FREE COATING COMPOSITIONS FOR PACKAGING ARTICLES SUCH AS FOOD AND BEVERAGE CONTAINERS	2017/06/06
2017/04167	METHOD OF REMOVING ACETALDEHYDE FROM RADIOACTIVE PHARMACEUTICALS	2017/06/19
2017/04253	TRANSPORT UNIT, MATERIAL TRANSFER STRUCTURE, MATERIAL TRANSFER UNIT, MOBILE HAULAGE ARRANGEMENT METHOD	2017/06/22
2017/04291	N4-HYDROXYCYTIDINE AND DERIVATIVES AND ANTI-VIRAL USES RELATED THERETO	2017/06/23
2017/04324	N-((HET)ARYLMETHYL)-HETEROARYL-CARBOXAMIDES COMPOUNDS AS PLASMA KALLIKREIN INHIBITORS,	2017/06/26
2017/04577	COMBINATION THERAPY FOR PULMONARY HYPERTENSION	2017/07/06

Application Number	Patent Title	Filing Date
2017/05374	HYPERSPECTRAL IMAGER METHOD AND APPARATUS	2017/08/08
2017/05501	METHODS FOR ENHANCING EFFICACY OF THERAPEUTIC IMMUNE CELLS	2017/08/14
2017/05707	RHODIUM-CONTAINING CATALYSTS FOR AUTOMOTIVE EMISSIONS TREATMENT	2017/08/22
2017/06008	PHARMACEUTICAL COMPOSITIONS COMPRISING N-(3,5-DIMETHOXYPHENYL)-N-(1-METHYLETHYL)-N-[3-(1-METHYL-1H-PYRAZOL-4-YL)QUINOXALIN-6-YL]ETHANE-1,2-DIAMINE	2017/09/04
2017/06073	1-HETEROCYCLYL ISOCHROMANYL COMPOUNDS AND ANALOGS FOR TREATING CNS DISORDERS	2017/09/06
2017/06166	COMPOSITIONS AND METHODS FOR INTRAVITREAL DELIVERY OF POLYNUCLEOTIDES TO RETINAL CONES	2017/09/11
2017/06285	ANTI-MUC16 ANTIBODIES AND USES THEREOF	2017/09/15
2017/06427	SOLID PREPARATION	2017/09/22
2017/07394	STABLE EMULSION FORMULATIONS OF ENCAPSULATED VOLATILE COMPOUNDS	2017/10/31
2017/07419	CABAZITAXEL FAT EMULSION INJECTION, AND PREPARATION METHOD AND USE THEREOF	2017/11/01
2017/07732	BISPECIFIC ANTIBODY CONSTRUCTS BINDING DLL3 AND CD3	2017/11/15
2017/07890	LAG-3-BINDING MOLECULES AND METHODS OF USE THEREOF	2017/11/21
2018/01765	MONO- OR DI-SUBSTITUTED INDOLE DERIVATIVES AS DENGUE VIRAL REPLICATION INHIBITORS	2018/03/15
2018/02873	METHODS OF MANUFACTURE FOR COATED GRANULAR FERTILIZERS	2018/05/02
2018/02943	ORAL CARE COMPOSITIONS	2018/05/04
2018/03104	TOOTH WHITENING COMPOSITIONS COMPRISING PEROXIDE COMPLEX AND PERCARBONATE SALT	2018/05/11
2018/03200	FIXED CUTTER BITS AND OTHER DOWNHOLE TOOLS HAVING NON-PLANAR CUTTING ELEMENTS THEREON	2018/05/15
2018/03356	FUNGICIDE PREPARATION	2018/05/21
2018/03398	FABRIC SOFTENING COMPOSITIONS	2018/05/22
2018/03550	CLEANSING BARS	2018/05/29
2018/03652	DIRECT CASTING OF ULTRAHARD INSERT IN BIT BODY	2018/05/31
2018/03780	EVALUATION OF RESPIRATORY VOLUME MONITORING TO DETECT RESPIRATORY COMPROMISE BEFORE PULSE OXIMETRY AND ELIMINATE FALSE DESATURATION ALARMS	2018/06/07
2018/03842	METHODS FOR TREATING CONDITIONS ASSOCIATED WITH MASP-2 DEPENDENT COMPLEMENT ACTIVATION	2018/06/08
2018/03957	STORAGE-STABLE SOLID PEROXYMONOSULFATE COMPOSITION	2018/06/13
2018/04034	EGF(A) ANALOGUES WITH FATTY ACID SUBSTITUENTS	2018/06/15
2018/04041	MECHANICAL LOCKING OF OVOID CUTTING	2018/06/15

Application Number	Patent Title	Filing Date
	ELEMENT WITH CARBIDE MATRIX	
2018/04060	ANTIBODY-DRUG CONJUGATES TARGETING UPARAP	2018/06/18
2018/04201	YEAST CELL	2018/06/22
2018/04213	MILKY BEVERAGE, METHOD FOR PRODUCING MILKY BEVERAGE, AND METHOD FOR IMPROVING FLAVOR OF MILKY BEVERAGE	2018/06/22
2018/04289	PROCESS FOR PREPARATION OF POLYETHYLENE NANOCOMPOSITE	2018/06/26
2018/04295	VIRUS INFECTION MODEL, PREPARATION METHOD THEREFOR, AND UTILIZATION THEREOF	2018/06/26
2018/04385	BULK SUGAR REPLACER	2018/06/29
2018/04386	AMORPHOUS POROUS PARTICLES FOR REDUCING SUGAR IN FOOD	2018/06/29
2018/05048	AUGMENTED ACID ALPHA-GLUCOSIDASE FOR THE TREATMENT OF POMPE DISEASE	2018/07/26
2018/05081	BROADBAND SATELLITE COMMUNICATION SYSTEM USING OPTICAL FEEDER LINKS	2018/07/27
2018/05242	DIESEL OXIDATION CATALYST COMPRISING PLATINUM GROUP METAL NANOPARTICLES	2018/08/03
2018/05453	TRIALKYLPHOSPHONIUM IONIC LIQUIDS, METHODS OF MAKING, AND ALKYLATION PROCESSES USING TRIALKYLPHOSPHONIUM IONIC LIQUIDS	2018/08/15
2018/05456	NOVEL BIAROMATIC PROPYNYL COMPOUNDS, PHARMACEUTICAL AND COSMETIC COMPOSITIONS CONTAINING SAME, AND USES THEREOF	2018/08/15
2018/05479	CRYPTOECONOMY SOLUTION FOR ADMINISTRATION AND GOVERNANCE IN A DISTRIBUTED SYSTEM	2018/08/16
2018/05493	PROCESS AND APPARATUS FOR THE PRODUCTION OF METHANATED GAS	2018/08/16
2018/05602	DATA TRANSMISSION METHOD AND APPARATUS	2018/08/22
2018/05649	NEIGHBOR MONITORING IN A HYPERSCALED ENVIRONMENT	2018/08/23
2018/05810	USE OF MASITINIB FOR TREATMENT OF AN AMYOTROPHIC LATERAL SCLEROSIS PATIENT SUBPOPULATION	2018/08/29
2018/06056	METHODS, COMPOSITIONS, AND DEVICES FOR INFORMATION STORAGE	2018/09/10
2018/06090	MICROORGANISMS AND ARTIFICIAL ECOSYSTEMS FOR THE PRODUCTION OF PROTEIN, FOOD, AND USEFUL CO-PRODUCTS FROM C1 SUBSTRATES	2018/09/11
2018/06276	TEMPERATURE MANAGEMENT OF COOKING MEDIUM IN FRYERS AROUND FILTRATION CYCLES	2018/09/18
2018/06362	PROCESS FOR RAPID PROCESSING OF SIC AND GRAPHITIC MATRIX TRISO-BEARING PEBBLE FUELS	2018/09/21
2018/06405	A PRESS HARDENING METHOD	2018/09/26
2018/06808	BODY FLUID EXTRACTION DEVICE	2018/10/12
2018/07329	FORMULATIONS AND METHODS FOR TREATING PHOTOSYNTHETIC ORGANISMS AND ENHANCING QUALITIES AND QUANTITIES OF YIELDS WITH GLYCAN COMPOSITE FORMULATIONS	2018/11/01
2018/07501	ENHANCED SAFETY ATTACHMENT FOR CUTTING	2018/11/08

Application Number	Patent Title	Filing Date
	MACHINE	
2019/00397	ELECTRICAL PROTECTION CIRCUIT ARRANGEMENT	2019/01/21
2019/00833	METHODS FOR TREATING SEEDS WITH AN AQUEOUS COMPOSTION AND SEEDS TREATED THEREWITH	2019/02/08
2019/00834	AQUEOUS COMPOSITIONS FOR TREATING SEEDS, SEEDS TREATED THEREWITH, AND METHODS FOR TREATING SEEDS	2019/02/08
2019/00835	AQUEOUS COMPOSITIONS FOR TREATING SEEDS, SEEDS TREATED THEREWITH, AND METHODS FOR TREATING SEEDS	2019/02/08
2019/01027	COFFEE BEAN PARTICLES	2019/02/18
2019/01111	MUSCARINIC M1 RECEPTOR POSITIVE ALLOSTERIC MODULATORS	2019/02/21
2019/01195	INCREASED FERTILITY IN BOVINE SPECIES	2019/02/25
2019/01261	DEVICE WITH LIQUID FLOW RESTRICTION	2019/02/27
2019/01558	ANTI-STEAP2 ANTIBODIES, ANTIBODY-DRUG CONJUGATES, AND BISPECIFIC ANTIGEN-BINDING MOLECULES THAT BIND STEAP2 AND CD3, AND USES THEREOF	2019/03/13
2019/01699	METHODS OF IDENTIFYING EPITOPES	2019/03/19
2019/01856	LIQUID STORAGE TANK FOR A VAPOUR PROVISION SYSTEM	2019/03/26
2019/02174	TREATMENT REGIMENS	2019/04/08
2019/02366	BISPECIFIC ANTIBODY AGAINST BCMA AND CD3 AND AN IMMUNOLOGICAL DRUG FOR COMBINED USE IN TREATING MULTIPLE MYELOMA	2019/04/15
2019/02432	TOLEROGENIC DNA VACCINE	2019/04/16
2019/02551	MANAGING PRIVATE TRANSACTIONS ON BLOCKCHAIN NETWORKS BASED ON WORKFLOW	2019/04/23
2019/02565	MULTI-PROTEASE METHOD	2019/04/23
2019/02588	PURIFICATION METHOD USING A LOW GRANULOMETRY RESIN	2019/04/24
2019/02725	[1,2,4]TRIAZOLO[1,5-A]PYRIMIDINE DERIVATIVES AS PDE2 INHIBITORS	2019/04/30
2019/02726	AEROSOL PROVISION ARTICLE	2019/04/30
2019/02778	IMAGE PREDICTION METHOD AND DEVICE	2019/05/03
2019/03011	METHOD FOR PREPARING ELECTROCOMPETENT YEAST CELLS, AND METHOD FOR USING SAID CELLS	2019/05/14
2019/03380	ORAL CARE COMPOSITIONS AND METHODS FOR WHITENING TEETH	2019/05/28
2019/03420	LOW ENERGY CURING OFFSET AND LETTERPRESS PRINTING INKS AND PRINTING PROCESS	2019/05/29
2019/03504	NOVEL T CELL RECEPTORS AND IMMUNE THERAPY USING THE SAME	2019/05/31
2019/03506	HIGH CURRENT AND RPM-CAPABLE SLIP RING ASSEMBLY	2019/05/31
2019/03514	PESTICIDE ARRANGEMENT	2019/05/31
2019/03539	REACHING AGREEMENT ON A SECRET VALUE	2019/06/03
2019/03713	BLOCKCHAIN TRANSACTION RECONCILIATION METHOD AND APPARATUS, AND ELECTRONIC	2019/06/10

Application Number	Patent Title	Filing Date
	DEVICE	
2019/03829	USE OF ANTI- β -SCLEROSTIN ANTIBODIES IN THE TREATMENT OF OSTEOGENESIS IMPERFECTA	2019/06/13
2019/03832	SYSTEM AND METHOD OF PASTEURIZING FLUID WITH SOLAR THERMAL COLLECTOR	2019/06/13
2019/03841	SUCTION PIPE INLET DEVICE FOR CENTRIFUGAL PUMP	2019/06/13
2019/03842	AUTONOMOUS FLUID COMPRESSOR FOR LAYING OPTICAL FIBERS IN A DUCT	2019/06/13
2019/03875	METHOD OF PROVIDING ORAL CARE BENEFITS	2019/06/14
2019/03939	ECTONUCLEOTIDASE INHIBITORS AND METHODS OF USE THEREOF	2019/06/18
2019/03943	BUSHING WITH INTEGRATED ELECTRONICS	2019/06/18
2019/03980	ORAL CARE PRODUCT AND METHODS OF USE AND MANUFACTURE THEREOF	2019/06/19
2019/03999	WATER FILTRATION SYSTEM WITH RECIRCULATION TO REDUCE TOTAL DISSOLVED SOLIDS CREEP EFFECT	2019/06/20
2019/04115	A PROCESS FOR RECOVERING SUGAR FROM BIOMASS	2019/06/25
2019/04133	GRAVITY BENDING MOULD FOR BENDING GLASS PANES HAVING A CURVED SUPPORT SURFACE	2019/06/25
2019/04161	METHODS AND SYSTEMS USING IONOPHORES TO CONTROL CONTAMINATION IN FERMENTATION OF GASEOUS SUBSTRATES	2019/06/26
2019/04278	THICK, LONG SEAM WELDING SYSTEM AND METHOD FOR DISTORTION CONTROL AND NON POST WELD HEAT TREATMENT OF PIPELINE HOT TAP FITTINGS	2019/06/28
2019/04282	TETRAHYDROQUINOLINE DERIVATIVES AS P2X7 RECEPTOR ANTAGONISTS	2019/06/28
2019/04353	PYRROLOBENZODIAZEPINE-ANTIBODY CONJUGATES	2019/07/02
2019/04380	A PERSONAL CARE COMPOSITION	2019/07/03
2019/04409	A HAIR CONDITIONING COMPOSITION	2019/07/04
2019/04524	TECHNIQUE FOR MONITORING A RADIO COMMUNICATION	2019/07/10
2019/04525	CHEMICAL REACTOR WITH CATALYST SUPPORT SYSTEM	2019/07/10
2019/04543	LAW ENFORCEMENT MANAGEMENT	2019/07/11
2019/04587	ANTI-HERV-K ENVELOPE ANTIBODY AND USES THEREOF	2019/07/12
2019/04617	IMIDAZOPYRROLOPYRIDINE AS INHIBITORS OF THE JAK FAMILY OF KINASES	2019/07/15
2019/04643	COMPOSITIONS COMPRISING 15-HEPE AND METHODS OF USING THE SAME	2019/07/16
2019/04703	AN ASSEMBLY COMPRISING A NOISE EMITTING ELEMENT	2019/07/17
2019/05144	CALCIUM CARBONATE SLURRY	2019/08/02
2019/05156	FGF21 MIMETIC ANTIBODIES AND USES THEREOF	2019/08/05
2019/05264	CONDITIONAL BRANCH TO AN INDIRECTLY SPECIFIED LOCATION	2019/08/08
2019/05277	TREATMENT OF CANCER CELLS OVEREXPRESSING	2019/08/08

Application Number	Patent Title	Filing Date
	SOMATOSTATIN RECEPTORS USING OCREOTIDE DERIVATIVES CHELATED TO RADIOISOTOPES	
2019/05278	DISPLAY-BASED VIDEO ANALYTICS	2019/08/08
2019/05319	METHODS, USER EQUIPMENT AND RADIO NETWORK NODE FOR MULTIMEDIA BROADCAST MULTICAST SERVICE	2019/08/12
2019/05395	RNA REPLICON FOR VERSATILE AND EFFICIENT GENE EXPRESSION	2019/08/15
2019/05416	UNIVERSAL ANTIVENOM	2019/08/15
2019/05467	UNIVERSAL BCHAIN E3A CONNECTIONS (UBEC)	2019/08/19
2019/05680	INTRADIALYTIC USE OF SODIUM THIOSULFATE	2019/08/28
2019/06024	TOMBSTONE	2019/09/12
2019/06066	SUSTAINED RELEASE DELIVERY SYSTEMS COMPRISING TRACELESS LINKERS	2019/09/13
2019/06175	CHAIN CONVEYOR WITH CAST SECTIONS	2019/09/18
2019/06385	PROTECTION MECHANISM	2019/09/27
2019/06956	RAPID-ACTING INSULIN COMPOSITIONS	2019/10/22
2019/07704	A POWER MANAGEMENT SYSTEM AND DEVICE FOR FLAMEPROOF ALTERNATORS	2019/11/21
2019/07791	CATALYST	2019/11/25
2019/08025	MORPHOLINIUM-BASED QUATERNARY AMMONIUM CATION AND AEI TYPE ZEOLITE MADE THEREWITH	2019/12/03
2019/08206	BREATH ALCOHOL MEASUREMENT WITH CONTACTLESS SAMPLE PROVISION	2019/12/10
2019/08220	THIENOPYRIDINES AND BENZOTHIOPHENES USEFUL AS IRAK4 INHIBITORS	2019/12/10
2019/08579	DEVICE FOR WINDING A FLEXIBLE TUBE	2019/12/23
2020/00078	SYSTEM AND METHOD FOR PROVIDING A CERTIFIED COPY OF A DOCUMENT	2020/01/07
2020/00620	NON-AQUEOUS, NON-OIL BACILLUS AMYLOLIQUEFACIENS COMPOSITIONS	2020/01/30
2020/00766	BATTERY SUPPLY CIRCUITS, DEVICES TO BE CHARGED, AND CHARGING CONTROL METHODS	2020/02/05
2020/00783	USES FOR AND ARTICLE OF MANUFACTURE INCLUDING HER2 DIMERIZATION INHIBITOR PERTUZUMAB	2020/02/06
2020/00802	HISTAMINE-TARGETING APTAMERS AND APPLICATIONS THEREOF	2020/02/07
2020/00973	REFRIGERATED DISPLAY CASE AND NIGHT COVER THEREFOR	2020/02/14
2020/00981	ROOF BOLT ASSEMBLY	2020/02/17
2020/01043	APPARATUS FOR ENCODING OR DECODING AN ENCODED MULTICHANNEL SIGNAL USING A FILLING SIGNAL GENERATED BY A BROAD BAND FILTER	2020/02/19
2020/01137	NUCLEAR REACTOR CORE	2020/02/24
2020/01199	NOVEL PROMOTER, AND METHOD FOR PRODUCING L-AMINO ACID BY USING SAME	2020/02/26
2020/01202	MICROORGANISM HAVING ENHANCED GLYCINE PRODUCTIVITY AND METHOD FOR PRODUCING FERMENTED COMPOSITION BY USING SAME	2020/02/26
2020/01265	CONFIGURING RANDOM ACCESS CHANNELS FOR WIRELESS COMMUNICATIONS	2020/02/27

Application Number	Patent Title	Filing Date
2020/01497	A CONTAINER	2020/03/10
2020/01498	SWITCHING DEVICE AND LUBRICATING PUMP	2020/03/10
2020/01567	SOLAR TRACKING ARRANGEMENT FOR CONTROLLING PARABOLIC TROUGH SOLAR COLLECTORS, AND A THERMAL SOLAR ENERGY SYSTEM	2020/03/12
2020/01629	ELECTRODE SLIPPING DEVICE	2020/03/16
2020/01639	ENCODING METHOD AND APPARATUS	2020/03/16
2020/01685	A DISPENSER FOR DISPENSING A HYGIENE PRODUCT AND A METHOD OF OPERATING THE SAME	2020/03/17
2020/01701	FOG-GENERATING DEVICE	2020/03/18
2020/01763	CHIMERIC INSECTICIDAL PROTEINS	2020/03/19
2020/01774	IMPROVED DESIGN OF AN ETHYLENE OLIGOMERIZATION/TRIMERIZATION/TETRAMERIZATION REACTOR	2020/03/20
2020/02068	ARRANGEMENT COMPRISING TWO SWITCH CABINET RACKS INTERCONNECTED BY MEANS OF A BAYING CONNECTOR	2020/05/04
2020/02134	FLOATING WAVE ENERGY DEVICE	2020/05/04
2020/02155	TWO-STAGE PRE-TREATMENT OF ALUMINUM, IN PARTICULAR ALUMINUM CASTING ALLOYS, COMPRISING PICKLE AND CONVERSION TREATMENT	2020/05/04
2020/02232	DRUG DELIVERY SYSTEMS AND METHODS COMPRISING POLYSIALIC ACID AND/OR OTHER POLYMERS	2020/05/04
2020/02322	CONTINUOUS BLOW MOULDING MACHINE, PREFORMS, SYSTEM AND PROCESS	2020/05/04
2020/02353	NATURAL FIBRE COMPOSITE	2020/05/04
2020/02444	IMPROVED OLED PIXEL DRIVER CIRCUIT	2020/05/05
2020/02485	ADDITIVE COMPOSITION FOR BITUMINOUS CONGLOMERATES WITH HIGH MECHANICAL PERFORMANCES	2020/05/06
2020/02656	PRODUCTS AND METHODS FOR MONITORING ADHERENCE TO NUCLEOSIDE REVERSE TRANSCRIPTASE INHIBITOR THERAPY	2020/05/11
2020/02658	SYSTEMS, METHODS, AND TECHNIQUES FOR WASTE PROCESSING	2020/05/11
2020/02676	CHARGING CONTROL METHOD, CHARGING CONTROL DEVICE AND COMPUTER STORAGE MEDIUM	2020/05/12
2020/02731	METHOD FOR PREPARING PIZZA-TYPE FOOD WITH INTELLIGENT HEATING AND STIRRING COOKING MACHINE	2020/05/13
2020/02780	SINGLE-SERVE PORTION PACK	2020/05/14
2020/02822	METHOD FOR MANUFACTURING A RAIL AND CORRESPONDING RAIL	2020/05/15
2020/02828	CONTACT SYSTEM FOR ELECTRICAL CURRENT CONDUCTION AND BUS TRANSFER SWITCHING IN A SWITCHGEAR	2020/05/15
2020/02848	PLANT AND METHOD FOR THE TREATMENT OF	2020/05/15

Application Number	Patent Title	Filing Date
	WASTE, IN PARTICULAR WASTE FROM LABORATORIES FOR MEDICAL ANALYSIS	
2020/02907	ANTI-THEFT DEVICE	2020/05/19
2020/02937	LOW GWP REFRIGERANT BLENDS	2020/05/20
2020/02958	METHODS OF USING AND COMPOSITIONS CONTAINING DULAGLUTIDE	2020/05/20
2020/03077	HIGH BANDWIDTH SONIC TONE GENERATION	2020/05/25
2020/03095	ASSOCIATION OF ACTIVES FOR TREATING PROSTATE CANCER	2020/05/25
2020/03096	METHODS AND APPARATUS FOR UPDATING SYSTEM INFORMATION	2020/05/25
2020/03119	VITAMIN K2 COMPOSITIONS FOR THE TREATMENT OF DRUG INDUCED NEUROPATHY	2020/05/26
2020/03186	AN ANTI MOSQUITO PAINT COMPOSITION AND A PROCESS FOR PREPARATION THEREOF	2020/05/28
2020/03244	USER TERMINAL AND RADIO COMMUNICATION METHOD	2020/05/29
2020/03314	TARGETED CRISPR DELIVERY PLATFORMS	2020/06/03
2020/03317	QUICK-FIT COUPLING FOR A WEARING PART OF A SOIL-WORKING TOOL	2020/06/03
2020/03448	RIBONUCLEOTIDE-RICH YEAST EXTRACT AND USE OF SAME FOR MASKING UNDESIRABLE FLAVOURS AND UNDESIRABLE AROMATIC NOTES	2020/06/09
2020/03485	GENE THERAPY FOR MUCOPOLYSACCHARIDOSIS IIIB	2020/06/10
2020/03577	PREPARATION OF RACEMIC NICOTINE BY REACTION OF ETHYL NICOTINATE WITH N-VINYLPYRROLIDONE IN THE PRESENCE OF AN ALCOHOLATE BASE AND SUBSEQUENT PROCESS STEPS	2020/06/15
2020/03628	THERAPEUTIC ENZYME FUSION PROTEIN HAVING NOVEL STRUCTURE AND USE THEREOF	2020/06/17
2020/03631	AIR CLEANER ASSEMBLIES AND METHODS OF USE	2020/06/17
2020/03657	LIGHTNING ARRESTER USED FOR LIGHTNING PROTECTION ON THE PLAYGROUND	2020/06/18
2020/03786	PROCESS FOR THE PREPARATION OF LOW MOLECULAR WEIGHT HEPARIN	2020/06/22
2020/03824	DEVICES AND METHODS OF CALCULATING AND DISPLAYING CONTINUOUSLY MONITORED TIDAL BREATHING FLOW-VOLUME LOOPS (TBFVL) OBTAINED BY NON-INVASIVE IMPEDANCE-BASED RESPIRATORY VOLUME MONITORING	2020/06/24
2020/03861	METHOD FOR PREPARING NATURAL L-CYSTEINE HYDROCHLORIDE HYDRATE CRYSTALS BY CONTINUOUS CHROMATOGRAPHY	2020/06/25
2020/03880	LIFTING TOOL FOR NUT OF INNER WEAR PART OF CONE CRUSHER	2020/06/25
2020/03910	WATER BALANCE IN A CHLORIDE HEAP LEACH	2020/06/26
2020/03932	BIOCEMENTING MIXTURE FOR DUST CONTROL	2020/06/29
2020/04119	COMPOSITIONS AND METHODS FOR THE TREATMENT OF LUNG EMPHYSEMA AND OTHER FORMS OF COPD	2020/07/06
2020/04124	RESOLVING AMBIGUITIES RELATED TO NR CELL	2020/07/06

Application Number	Patent Title	Filing Date
	QUALITY DERIVATION	
2020/04147	INHIBITING THE TRANSIENT RECEPTOR POTENTIAL A1 ION CHANNEL	2020/07/07
2020/04152	SYSTEM AND METHOD FOR PROVIDING QUALITY CONTROL IN 360°; IMMERSIVE VIDEO DURING PAUSE	2020/07/07
2020/04178	CORYNEBACTERIUM SP. MICROORGANISM PRODUCING PURINE NUCLEOTIDE AND METHOD FOR PRODUCING PURINE NUCLEOTIDE BY USING SAME	2020/07/08
2020/04183	USER EQUIPMENTS, BASE STATIONS AND METHODS	2020/07/08
2020/04184	ACTIVATION AND DEACTIVATION OF SEMI-PERSISTENT CSI REPORTING	2020/07/08
2020/04186	SOCKET-OUTLET EQUIPPED WITH A DISC AND A SHUTTER	2020/07/08
2020/04205	METHOD FOR RECYCLING CELLULOSE-CONTAINING TEXTILE MATERIAL	2020/07/09
2020/04206	RECYCLING OF LYOCELL CELLULOSE FOR LYOCELL PROCESSES	2020/07/09
2020/04216	METHODS AND APPARATUSES FOR EXPOSURE OF PRESENCE REPORTING AREA FUNCTIONALITY	2020/07/09
2020/04227	DRIP TRAY	2020/07/10
2020/04241	TISSUE REPAIR LAMINATES	2020/07/10
2020/04243	METHOD OF TREATING CITRUS GREENING	2020/07/10
2020/04250	EXCHANGEABLE CARTRIDGE FOR BEVERAGE PORTION DISPENSER	2020/07/10
2020/04260	METHOD FOR EFFICIENT REDISCOVERY AND MEDIUM ACCESS FOR WAKE-UP RADIOS	2020/07/10
2020/04288	COMPOSITION CONTAINING REFRIGERANT, USE OF SAID COMPOSITION, REFRIGERATOR HAVING SAID COMPOSITION, AND METHOD FOR OPERATING SAID REFRIGERATOR	2020/07/13
2020/04325	3D PRINTING-BASED BUILDING STRUCTURE MANUFACTURING DEVICE AND METHOD	2020/07/14
2020/04355	SYNTHETIC ROPE	2020/07/15
2020/04372	CENTRIFUGAL PUMP ASSEMBLY AND IMPELLER	2020/07/16
2020/04379	BICYCLIC PEPTIDE LIGANDS SPECIFIC FOR EPHA2	2020/07/16
2020/04380	SKIN CARE FABRIC	2020/07/16
2020/04384	SECURITY LOCK	2020/07/16
2020/04529	GANGLIOSIDE GM3-CONTAINING NANOPARTICLES AS IMMUNOMODULATORS	2020/07/22
2020/04550	DEVICE AND METHOD FOR FILTERING A FLUID CIRCULATING IN A PLUMBING AND HEATING SYSTEM	2020/07/22
2020/04551	CHEMOKINE RECEPTOR MODULATORS AND USES THEREOF	2020/07/22
2020/04553	SYSTEM AND METHOD FOR SPRAYING A PRODUCT, NOTABLY A PLANT-PROTECTION PRODUCT	2020/07/22
2020/04554	METHODS FOR PRODUCING CARBON FIBERS, RESINS, GRAPHENE, AND OTHER ADVANCED CARBON MATERIALS FROM COAL	2020/07/22
2020/04578	COMPOSITE MODERATOR FOR NUCLEAR REACTOR	2020/07/23

Application Number	Patent Title	Filing Date
	SYSTEMS	
2020/04580	REDUCING WIRELESS INTERFERENCE FROM A WIRED DIGITAL INTERFACE	2020/07/23
2020/04602	3BETA-(4-METHOXYBENZYLOXY)PREGN-5-EN-20-ONE FOR USE IN THE TREATMENT OF CANNABINOIDS-RELATED DISORDERS	2020/07/24
2020/04606	TREATMENT OF ALLERGIC RHINITIS IN PEDIATRIC SUBJECTS USING A COMBINATION OF MOMETASONE AND OLOPATADINE	2020/07/24
2020/04608	METHOD FOR EVALUATING THE STATE AND THE QUALITY OF LOW-VOLTAGE NETWORKS	2020/07/24
2020/04619	USE OF PRG4 AS AN ANTI-INFLAMMATORY AGENT	2020/07/27
2020/04626	DIAMOND CLARITY MEASUREMENT PROCESS AND SYSTEM	2020/07/27
2020/04636	FLAT KEY PROFILE FOR A LOCK-KEY SYSTEM	2020/07/27
2020/04723	COMPOSITION COMPRISING PROBIOTICS AND POLYPEPTIDE HAVING BINDING AFFINITY FOR IGE AND USE THEREOF	2020/07/30
2020/04724	CRYSTAL FORM OF OXOPICOLINAMIDE DERIVATIVE AND PREPARATION METHOD THEREFOR	2020/07/30
2020/04726	ROTARY VALVE	2020/07/30
2020/04727	SOLID TYRE PROVIDED WITH CUSHIONING HOLES	2020/07/30
2020/04786	BEVERAGE PREPARATION MACHINE FOR BREWED BEVERAGES HAVING A COVER PLATE FOR COVERING AN OPENING FORMED IN A HOUSING WALL	2020/07/31
2020/04832	HOT-ROLLED, ABRASION-RESISTANT STEEL PLATE AND MANUFACTURING METHOD THEREOF	2020/08/04
2020/04842	ELECTROSURGICAL APPARATUS AND METHOD	2020/08/05
2020/04868	ELECTRIC FENCE ELECTRIFIER AND METHOD FOR CONTROLLING SAME	2020/08/05
2020/04895	WORKING MEDIUM PROPERTY DIFFERENCE POWER GENERATION SYSTEM AND WORKING MEDIUM PROPERTY DIFFERENCE POWER GENERATION METHOD THAT USES THE POWER GENERATION SYSTEM	2020/08/07
2020/04949	DIRECT CURRENT CIRCUIT BREAKER DEVICE	2020/08/11
2020/05078	CRYSTAL AND SALT FORMS OF TRICYCLIC COMPOUND AND PREPARATION METHOD THEREOF	2020/08/17
2020/05458	SUPPLY SYSTEM FOR SUPPLYING MULTIPLE CONSUMERS WITH AN APPLICATION SUBSTANCE	2020/09/01
2020/05562	USER TERMINAL AND RADIO COMMUNICATION METHOD	2020/09/08
2020/05563	USER TERMINAL AND RADIO COMMUNICATION METHOD	2020/09/08
2020/05568	METHODS FOR SUSPENDING INACTIVE WHEN RESUMING AND RESUMING INACTIVE WHEN SUSPENDING	2020/09/08
2020/05605	SMART POLLINATION SYSTEM	2020/09/09
2020/05613	TRACK PIN AND BUSHING RETENTION DESIGN FOR A TRACK CHAIN	2020/09/09
2020/05614	CATALYST AND METHOD FOR CONVERTING	2020/09/09

Application Number	Patent Title	Filing Date
	CARBON-CONTAINING STREAM TO C2 TO C5 PARAFFINS USING IT	
2020/05625	VAPORIZER FOR VAPORIZING AN ACTIVE INGREDIENT	2020/09/10
2020/05636	HYBRID ELASTOGRAPHY METHOD, PROBE, AND DEVICE FOR HYBRID ELASTOGRAPHY	2020/09/10
2020/05638	METHOD FOR MEASURING AN ULTRASONIC ATTENUATION PARAMETER, GUIDED BY HARMONIC ELASTOGRAPHY; PROBE; AND DEVICE FOR IMPLEMENTING SAID METHOD	2020/09/10
2020/05676	ANTICANCER PHARMACEUTICAL COMPOSITIONS FOR COMBINED THERAPY	2020/09/11
2020/05678	CROSS-CARRIER SPATIAL RELATION INDICATION FOR SEMI-PERSISTENT SOUNDING REFERENCE SIGNAL (SP-SRS) RESOURCES	2020/09/11
2020/05726	SUBSTITUTED 4-AMINOISOINDOLINE-1,3-DIONE COMPOUNDS AND THEIR USE FOR TREATING LYMPHOMA	2020/09/15
2020/05752	BINDING FOLDER FOR BINDING LEAVES AND METHOD TO PRODUCE SUCH BINDING FOLDER	2020/09/16
2020/05769	METHOD AND SYSTEM FOR AUXILIARY POWER GENERATION	2020/09/17
2020/05781	USER TERMINAL AND RADIO COMMUNICATION METHOD	2020/09/17
2020/05782	USER TERMINAL AND RADIO COMMUNICATION METHOD	2020/09/17
2020/05784	BOW FOR A BOWED STRING MUSICAL INSTRUMENT	2020/09/17
2020/05813	METHOD FOR PRODUCING POLYPHOSPHORIC ACID AND DEVICE FOR SUCH A METHOD	2020/09/18
2020/05823	METHOD FOR ENCODING AND METHOD FOR DECODING A LUT AND CORRESPONDING DEVICES	2020/09/21
2020/05838	INSERT AND CUTTING TOOL ASSEMBLY COMPRISING SAME	2020/09/21
2020/05839	TOPICAL COMPOSITION	2020/09/21
2020/05845	SYSTEM AND METHOD FOR AUTOMATED LAYOUT OF BUILDINGS	2020/09/21
2020/05872	BEAD-ON-TILE APPARATUS AND METHODS	2020/09/22
2020/05906	METHOD FOR MANUFACTURING MANGANESE RAW MATERIAL AND METHOD FOR MANUFACTURING MANGANESE-CONTAINING MOLTEN STEEL	2020/09/23
2020/05918	LOCATION SELECTION FOR TREATMENT SAMPLING	2020/09/25
2020/05924	A METHOD FOR ENCODING DEPTH VALUES OF A SET OF 3D POINTS ONCE ORTHOGONALLY PROJECTED INTO AT LEAST ONE IMAGE REGION OF A PROJECTION PLANE	2020/09/25
2020/05925	SUPPORT FOR GENERATION OF COMFORT NOISE	2020/09/25
2020/05926	SUPPORT FOR GENERATION OF COMFORT NOISE, AND GENERATION OF COMFORT NOISE	2020/09/25
2020/05927	COAL GANGUE INTERFACE RECOGNITION TEST SYSTEM FOR TOP COAL CAVING	2020/09/25
2020/05984	DEVICE FOR CONVERTING A LINEAR MOVEMENT IN A STATIONARY SYSTEM INTO A ROTATIONAL	2020/09/28

Application Number	Patent Title	Filing Date
	MOVEMENT ABOUT A PIVOT AXIS IN A SYSTEM WHICH ROTATES ABOUT A ROTATIONAL AXIS	
2020/05986	SECURITY HANDLING FOR RRC RESUME FROM INACTIVE STATE	2020/09/28
2020/06019	DEVICE AND METHOD FOR PRODUCING PRESSURE WAVES OF HIGH AMPLITUDE	2020/09/29
2020/06020	PRETREATMENT METHOD AND SYSTEM FOR FRACTION OIL FOR PRODUCTION OF ALKYL BENZENE	2020/09/29
2020/06024	COMBINATION CONTROL AND CHECK VALVE ASSEMBLY FOR A WET PIPING SYSTEM	2020/09/29
2020/06043	POWER OPERATED LOCKING SYSTEM EARTH MOVING EQUIPMENT AND METHOD	2020/09/30
2020/06148	COOKING APPARATUS	2020/10/05
2020/06243	VEHICLE MONITORING SYSTEM	2020/10/08
2020/06249	INPUT AND OUTPUT SCHEMA MAPPINGS	2020/10/08
2020/06250	EXECUTION CONTROL WITH CROSS-LEVEL TRACE MAPPING	2020/10/08
2020/06489	WASHING UNIT	2020/10/19
2020/06788	ROCK BOLT	2020/10/30
2020/06839	MESH NETWORK DATA TRANSFER USING A HYBRID TV WHITE SPACE, WI-FI AND ADVANCED METERING INFRASTRUCTURE	2020/11/02
2020/06878	SYSTEMS AND METHODS FOR PASSIVE COOLING AND RADIATOR FOR SAME	2020/11/04
2020/06955	A SEPARATION APPARATUS AND METHOD	2020/11/09
2020/07010	APPARATUS AND METHOD TO DETERMINE ERYTHROCYTE SEDIMENTATION RATE AND OTHER CONNECTED PARAMETERS	2020/11/11
2020/07528	PLANTING METHOD TO PROMOTE FORMATION OF THE DALBERGIA SISSOO DC. HEARTWOOD	2020/12/03
2020/07557	SHOE TRIMMING TOOL	2020/12/04
2020/07581	COMPOSITIONS FOR CONTROLLING PHYTOPLANKTON CONTAMINATION	2020/12/04
2020/07648	SOLAR HEATING SYSTEM	2020/12/08
2020/07723	PROPYLENE COPOLYMER COMPOSITIONS SUITABLE FOR FOAMING	2020/12/10
2020/07742	CROSS-GROWER STUDY AND FIELD TARGETING	2020/12/11
2020/07805	A METHOD AND A SYSTEM FOR IDENTIFYING SENTIMENTS OF EMPLOYEE TOWARDS AN ORGANIZATION	2020/12/15
2020/07806	A SYSTEM AND A METHOD FOR FACILITATING MEETING CONTENT FOR ATTENDING A MEETING	2020/12/15
2020/07821	PROVISION OF DISTRIBUTED PAGING OCCASIONS	2020/12/15
2021/00320	ORGANIC-MATTER FRAGMENTATION APPARATUS	2021/01/15
2021/00342	FABRIC FOR PREVENTING HIGH BLOOD PRESSURE	2021/01/18
2021/00621	MULTIMERIZING POLYPEPTIDES DERIVED FROM JELLY ROLL FOLD DOMAIN OF ADENOVIRUS PENTON BASE	2021/01/28
2021/00712	LEG PRESS DEVICE FOR DANCE EXERCISE	2021/02/02
2021/00845	INNER CIRCUMFERENCE SEALING STRUCTURE, SEAT STRUCTURE, AND VALVE	2021/02/08

Application Number	Patent Title	Filing Date
2021/01431	METHOD AND DEVICE FOR CODING/DECODING IMAGE USING INTRA PREDICTION	2021/03/02
2021/01780	2-6-SUBSTITUTED-N6-SUBSTITUTED PURINE NUCLEOTIDES FOR RNA VIRUS TREATMENT	2021/03/17
2021/01844	CORE AND METHOD FOR AUTOMATED HOLLOW DOOR AND PANEL ASSEMBLY	2021/03/18
2021/02647	PRODUCTION DEVICE AND PRODUCTION METHOD FOR SYNTHESIZING ACETIC ACID BY LOW-PRESSURE CARBONYLATION OF METHANOL	2021/04/21
2021/02882	GRINDING MILL HAVING CONVEXLY CURVED MILLING PROJECTIONS	2021/04/29
2021/03340	HIGH-MELT-STRENGTH POLYPROPYLENE MATERIAL AND PREPARATION METHOD AND APPARATUS THEREOF	2021/05/18
2021/03414	FLEXIBLE PULSE DIAGNOSIS HAND AND TRADITIONAL CHINESE MEDICINE PULSE DIAGNOSIS INSTRUMENT	2021/05/20
2021/03475	METHOD OF PRODUCING THICK SULPHUR CATHODES FOR LI-S BATTERIES	2021/05/21
2021/03843	AUXILIARY DEVICE FOR THREE-DIMENSIONAL MODEL RECONSTRUCTION OF PALEONTOLOGICAL FOSSIL	2021/06/04
2021/04061	ROLLER TYPE CAGE EAR CHARGING AND GENERATING SET	2021/06/14
2021/04382	ELECTROMAGNETIC METHOD PERSPECTIVE EXPLORATION SYSTEM AND METHOD FOR COAL SEAM ROOF WATER	2021/06/25
2021/04383	CARRIER TRANSIENT ELECTROMAGNETIC SYSTEM AND TEST METHOD THEREOF	2021/06/25
2021/04850	COLD-CHAIN LOGISTICS ROUTE OPTIMIZATION METHOD BASED ON IMPROVED ANT COLONY ALGORITHM	2021/07/12
2021/04851	RADIAL SPECIALLY-SHAPED PLUNGER PUMP HAVING VANE FEATURE AND OPERATING METHOD THEREFOR	2021/07/12
2021/04852	FILTER-TYPE SAMPLER FOR SUSPENDED SEDIMENT AND SAMPLING METHOD THEREFOR	2021/07/12
2021/05710	LOW-TEMPERATURE-FIRED STANNATE MICROWAVE DIELECTRIC CERAMIC HAVING HIGH TEMPERATURE STABILITY AND PREPARATION METHOD THEREOF	2021/08/12
2021/06111	A METHOD OF PREPARING ELECTROLYTIC MANGANESE DIOXIDE FOR PRODUCING LITHIUM MANGANATE	2021/08/24
2021/06479	HINGE STRUCTURE AND ELECTRONIC DEVICE INCLUDING THE SAME	2021/09/03
2021/06838	PROCESSING METHOD OF SWEET POTATO ORAL LIQUID WITH BLOOD LIPID REDUCING EFFECT	2021/09/17
2021/06844	WARNING DEVICE FOR OVERWATER LIFE-SAVING	2021/09/17
2021/06954	A HIGH-EFFICIENCY DE-JOINT DRILLING DEVICE FOR PROCESSING FLUTE	2021/09/20
2021/06955	DOUBLE-RATCHET TYPE STUBBLE-PRESSING, SOIL-COVERING AND FERTILIZING-SOWING DEVICE	2021/09/20

Application Number	Patent Title	Filing Date
2021/06956	ASSEMBLED SUBMERGED WAVE-DISSIPATING BREAKWATER WITH FUNCTION OF ARTIFICIAL REEF	2021/09/20
2021/06957	FARMING METHOD OF MULTIPLE CROPPING IN A YEAR ON ARID LAND IN LOW-LATITUDE AND HIGH-COLD MOUNTAINOUS AREAS	2021/09/20
2021/06958	SHORELINE SAND DUNE PROTECTIVE STRUCTURE	2021/09/20
2021/06959	A SUBMERSIBLE OCEAN WAVE POWER GENERATION DEVICE	2021/09/20
2021/06960	MULTI-POINT FERTILIZING AND SEEDING PLATE AND INTEGRATED FERTILIZING AND SEEDING MACHINE EQUIPPED WITH SAME	2021/09/20
2021/06961	SYNCHRONOUS TESTING METHOD FOR VIBRATION OF RUNNER AND OUTER WALL OF THROUGH-FLOW HYDRAULIC MACHINERY	2021/09/20
2021/06962	PNEUMATIC SEEDER	2021/09/20
2021/06963	PREPARATION METHOD FOR THERMOPLASTIC PREPREG FABRIC BY RADIANT HEATING	2021/09/20
2021/06964	PURIFICATION AND TREATMENT METHOD OF CHEMICAL LEACHING WASTEWATER GENERATED BY REMEDIATION OF HEAVY METAL CONTAMINATED SOIL	2021/09/20
2021/06965	METHOD FOR PREPARING ANTIBACTERIAL EXTRACT OF SCHISANDRA CHINENSIS	2021/09/20
2021/06966	POTATO SLIMMING MEAL REPLACEMENT POWDER AND PREPARATION METHOD THEREOF	2021/09/20
2021/06967	CONTINUOUS PREPARATION METHOD OF CARBON FIBER WITH HIGH ELECTRICAL CONDUCTIVITY AND HIGH THERMAL CONDUCTIVITY	2021/09/20
2021/06968	FOLDING FURNITURE WITH SPACE REUSABLE TECHNOLOGY	2021/09/20
2021/06969	METHOD OF REDUCING NITROGEN FERTILIZER APPLICATION ON CORN IN LOW-LATITUDE AND HIGH-COLD MOUNTAINOUS AREAS	2021/09/20
2021/06970	PREPARATION METHOD OF LOW GI POTATO BREAD	2021/09/20
2021/06971	PREPARATION METHOD FOR ANTI-BLUE LIGHT PROTECTIVE FILM BASED ON PLASMONIC PARTICLES	2021/09/20
2021/06972	ANTI-BLUE LIGHT PROTECTIVE FILM	2021/09/20
2021/06979	TEST METHOD FOR DYNAMIC INSTABILITY FAILURE MECHANISM OF GOAF IN OPEN-PIT MINE SLOPE	2021/09/20
2021/06995	OXIDATION DITCH AND MOVING BED BIOFILM REACTOR INTEGRATED SEWAGE TREATMENT EQUIPMENT	2021/09/20
2021/06996	INTEGRATED SEWAGE TREATMENT TANK EMPLOYING BIOLOGICAL DOUBLE-EFFICIENCY PROCESS AND FLUIDIZED BED PROCESS	2021/09/20
2021/07003	FLEXIBLE AND WEARABLE MULTI-ENERGY ELECTRICITY-CONVERTED INTELLIGENT MONITORING SYSTEM FOR PHYSIOLOGICAL SIGNS	2021/09/20
2021/07004	MEDICAL CARE AND HEALTH INTELLIGENT EXECUTION SYSTEM BASED ON INTERNET OF THINGS AND INTERNET	2021/09/20

Application Number	Patent Title	Filing Date
2021/07005	SPIRAL PEANUT SHELL BREAKING SYSTEM AND WORKING METHOD	2021/09/20
2021/07006	SYSTEM AND METHOD OF ADSORPTION AND MULTISTAGE SCREENING TYPE FOR PEANUT POD CLEANING AND IMPURITY REMOVAL	2021/09/20
2021/07007	WALNUT SHELLS CLEANING DEVICE AND METHOD WITH COOPERATION OF ULTRASONIC VIBRATION AND AUGER ROTARY PROPULSION	2021/09/20
2021/07009	ETHYL ACETATE AND WATER STRATIFICATION DEVICE AND APPLICATION THEREOF	2021/09/20
2021/07069	UNPOLISHED DIAMONDS ONLINE BIDDING SYSTEM AND METHOD	2021/09/22
2021/07108	ENGINEERING STRAIN FOR PRODUCING 2-HYDROXY-PHENAZINE AND USE THEREOF	2021/09/23
2021/07109	FEED CRUSHING DEVICE FOR PIG BREEDING	2021/09/23
2021/07167	TECHNOLOGY OF SEPARATING URACIL FROM PHELLINUS FUNGUS	2021/09/27
2021/07177	PROCESS FOR SYNTHESIZING 2,3-DIACYLQUINOLINE COMPOUND	2021/09/27
2021/07182	INTELLIGENT SPRAYING TROLLEY FOR REPAIRING HORIZONTALLY BLOCKING SYSTEM OF POLLUTED SITE	2021/09/27
2021/07195	CORN NO-TILLAGE SUBSOILING LAYERED FERTILIZATION PRECISION SOWING MACHINE	2021/09/27
2021/07196	MICROBIAL SOIL CONDITIONER AND PREPARATION METHOD THEREOF	2021/09/27
2021/07202	VEHICLE MICRO-ACTUATOR APPLIED TO AUTOMOTIVE FUEL TANK COVER OR CHARGING BOX COVER	2021/09/27
2021/07351	WHOLE GRAIN CHINESE STEAMED BREAD PREPARED FROM FRESH WAXY CORN AND PREPARATION METHOD THEREOF	2021/09/30
2021/07352	AN IMPROVED ALD METHOD FOR DEPOSITING CEO ₂	2021/09/30
2021/07353	A METHOD FOR PREDICTING YIELD AND QUALITY OF THE ALFALFA GRASS	2021/09/30
2021/07354	FLOW/OVERFLOW DISCHARGE MONITORING DEVICE FLOWING THROUGH RAIN PERFORATED STRAINER	2021/09/30
2021/07355	FLUORESCENT PCR METHOD FOR DETECTING HLA-B*15:02 ALLELE AND SPECIFIC PRIMER PROBE COMBINATION THEREOF	2021/09/30
2021/07356	STREPTOMYCES SP. HL-66, AND FERMENTATION PRODUCT, MICROBIAL INOCULANT, AND USE THEREOF	2021/09/30
2021/07359	A METHOD FOR DETERMINING THE DATA WEIGHT OF TUNNEL MONITORING POINTS	2021/09/30
2021/07360	WHEAT SCIENTIFIC RESEARCH WORK BAG	2021/09/30
2021/07361	COMBINED INACTIVATED VACCINE OF AEROMONAS VERONII AND AEROMONAS HYDROPHILA AND LARGE-SCALE PREPARATION METHOD THEREOF	2021/09/30
2021/07362	A WHEAT SEED STORAGE CABINET	2021/09/30
2021/07363	DIBBLER FOR DETECTING SUITABLE SOIL	2021/09/30

Application Number	Patent Title	Filing Date
	MOISTURE IN DRYLAND	
2021/07364	A POROUS OCCLUDER FOR ATRIAL SEPTAL DEFECT	2021/09/30
2021/07365	SEED PRODUCTION AND HIGH YIELD METHOD OF MUSKMELON IN PROTECTED FIELD	2021/09/30
2021/07366	GRAPHENE DOPED ZRB ₂ -SIC COMPOSITE CERAMIC AND PREPARATION METHOD THEREOF	2021/09/30
2021/07367	VERTICAL COMBINED BENDING MOMENT DATA PROCESSING METHOD AND SYSTEM FOR FULL LIFE CYCLE OF CONVENTIONAL SURFACE WARSHIP	2021/09/30
2021/07410	SINGLE LEG MECHANISM OF HYDRAULIC LEG ROBOT WITH PASSIVE FLEXIBLE KNEE JOINT	2021/10/01
2021/07411	HIGH-RIGIDITY PASSIVE COMPLIANCE DEVICE AND SINGLE LEG MECHANISM OF HYDRAULICALLY DRIVEN LEGGED ROBOT	2021/10/01
2021/07412	DOUBLE-PISTON-ROD HYDRAULIC SERVO OIL CYLINDER APPLIED TO HYDRAULICALLY DRIVEN LEG ROBOT	2021/10/01
2021/07449	PORTABLE COMMUNICATION DEVICE INCLUDING DISPLAY	2021/10/04
2021/07494	BTK INHIBITOR RING DERIVATIVE, PREPARATION METHOD THEREFOR AND PHARMACEUTICAL APPLICATION THEREOF	2021/10/05
2021/07569	METHOD FOR PREVENTING SCALE INSECTS	2021/10/08
2021/07570	METHOD FOR CULTIVATING POLLUTION-FREE CONFECTIONERY SUNFLOWER	2021/10/08
2021/07571	METHOD, PRODUCT AND APPLICATION OF SURFACE METALLIZATION OF ACTIVATED CARBON FIBER FELT FOR HYDROGEN STORAGE	2021/10/08
2021/07572	QUANTITATIVE IDENTIFICATION METHOD OF TOPSOIL HEAVY METAL CONTAMINATION SOURCES CALCULATED BASED ON ENRICHMENT FACTOR VALUES	2021/10/08
2021/07573	SOLAR STREET LAMP BASED ON FLYWHEEL BATTERY	2021/10/08
2021/07574	PREPARATION METHOD OF CATHODE INTERFACE LAYER WITH HIGH AIR STABILITY	2021/10/08
2021/07575	USE OF CARDIOTONIC COMPOSITION IN PREPARATION OF MEDICINE FOR BLOCKING DIABETIC CARDIOMYOPATHY (DCM) THROUGH AUTOPHAGY MECHANISM OF DCM CARDIOMYOCYTE	2021/10/08
2021/07576	DEEP TRANSFER LEARNING-BASED BINOCULAR VISION MEASUREMENT METHOD OF COAL FLOW OF BELT CONVEYOR	2021/10/08
2021/07578	NOVEL STICK PROOF SEMI GLASSY FORMULATION LABELS FOR ENHANCING MEDICATION COMPLIANCE	2021/10/08
2021/07597	PLATELET MEMBRANE SELF-ASSEMBLY NANOBUBBLE, AND PREPARATION METHOD AND APPLICATION THEREOF	2021/10/08
2021/07605	VALVED VASCULAR PROSTHESIS AND MANUFACTURING METHOD THEREOF	2021/10/08

Application Number	Patent Title	Filing Date
2021/07609	WINE YEAST SACCHAROMYCES CEREVISIAE WITH HIGH MELATONIN PRODUCTION AND USE THEREOF	2021/10/11
2021/07610	COMPREHENSIVE CHARACTERIZATION METHOD OF SHALE FULL-SCALE PORE STRUCTURE HETEROGENEITY CHARACTERISTICS	2021/10/11
2021/07611	TENDON PULL-OUT TEST SYSTEM AND METHOD	2021/10/11
2021/07612	LIGHTING DEVICE WITH FEATURE OF INVISIBLE TELEPROMPTER	2021/10/11
2021/07613	INTELLIGENT SPECTRUM SENSING METHOD FOR COGNITIVE INTERNET OF VEHICLES	2021/10/11
2021/07614	A KIND OF MODIFIED BIOCHAR WITH ITS PREPARATION METHOD AND APPLICATION THEREOF	2021/10/11
2021/07615	SAND AUTOCLAVED AERATED CONCRETE BLOCK AND ITS PROCESSING METHOD	2021/10/11
2021/07616	QUALITY CONTROL METHOD OF SHAOYAO-GANCAO-DECOCTION	2021/10/11
2021/07617	HIGH-YIELD PLANTING METHOD OF CHRYSANTHEMUM	2021/10/11
2021/07618	SPECIAL CONTROLLED RELEASE FERTILIZER FOR CHRYSANTHEMUM AND PREPARATION METHOD THEREOF	2021/10/11
2021/07619	REGENERATION PROCESSING OF REACTION TAIL GAS	2021/10/11
2021/07620	METHOD AND SYSTEM FOR FAULT DETECTION OF CHARGING FACILITIES BASED ON DEEP LEARNING	2021/10/11
2021/07621	MAGNETIC-LEVITATION AUXILIARY FAN FOR MINE	2021/10/11
2021/07626	THE PREPARATION METHOD AND APPLICATION OF MALIC ACID-CHITOSAN NANOPOROUS HYDROGEL MICROSPHERES	2021/10/11
2021/07627	SYNTHESIS, PRODUCT, AND APPLICATION OF A MAGNETIC COVALENT ORGANIC FRAMEWORK DENOTED AS MTFBD-PPD	2021/10/11
2021/07628	VENTRICULAR DRAINAGE FIXING DEVICE SUITABLE FOR TRANSPORT VEHICLE	2021/10/11
2021/07629	BLOOD PRESSURE CUFF OF MULTI-PARAMETER MONITOR	2021/10/11
2021/07630	TRACK TYPE VISUAL FORESTRY MONITORING DEVICE	2021/10/11
2021/07631	A QUICK-INSTALLED VISUAL MONITORING SUPPORT FOR FORESTRY	2021/10/11
2021/07632	INFORMATION INTERACTION SYSTEM FOR HOTEL TOURISM MANAGEMENT	2021/10/11
2021/07633	KOI AND VEGETABLE SYMBIOSIS CIRCULATING AQUACULTURE SYSTEM AND METHOD	2021/10/11
2021/07634	PREPARATION METHOD OF FLOCCULANT FOR TREATING COAGULATION OF PI RIVER WATER	2021/10/11
2021/07635	FRAME BEAM REINFORCEMENT DEVICE FOR ARCHITECTURAL ENGINEERING AND USING METHOD THEREOF	2021/10/11
2021/07636	PREPARATION METHOD AND USE OF MULTIFUNCTIONAL DIAGNOSTIC AND THERAPEUTIC	2021/10/11

Application Number	Patent Title	Filing Date
	AGENT BASED ON CU SINGLE ATOM/AU CLUSTER	
2021/07649	COMPOSITE BOARD FROM PLASTIC WASTE	2021/10/11
2021/07673	MO-DOPED VS4 CATHODE MATERIAL FOR MAGNESIUM ION BATTERY AND USE THEREOF	2021/10/12
2021/07674	HEATING DRUG-PERMEABLE EYELID HOT COMPRESS BAG	2021/10/12
2021/07675	PORTABLE CERVICAL VERTEBRA AND SHOULDER CIRCUMFERENCE MASSAGE DEVICE	2021/10/12
2021/07676	METHOD FOR REMEDIATION OF HEAVY METAL CONTAMINATED SOIL OR WATER USING HYPERACCUMULATOR POTHERB MUSTARD	2021/10/12
2021/07677	EFFICIENT CLEANING METHOD AND DEVICE FOR SPINNERET PLATE OF DRY SPRAY WET SPINNING CARBON FIBER PRECURSOR	2021/10/12
2021/07678	METHOD FOR PREPARING LITHIUM TRI-TERT-BUTOXYALYMINIUM HYDRIDE-TETRAHYDROFURAN SOLUTION	2021/10/12
2021/07679	AN INTELLIGENT LANDSCAPE ARCHITECTURE DESIGN SIGN	2021/10/12
2021/07680	HEAD-NECK ACUPOINT 3D COLOR PUZZLE TEACHING AND EXAMINATION APPLIANCE	2021/10/12
2021/07681	SIGNING-IN DEVICE FOR COLLEGE STUDENT MANAGEMENT AND USE METHOD THEREOF	2021/10/12
2021/07682	COMPOSITE BOARD FORMED BY PULTRUSION	2021/10/12
2021/07683	PREPARATION OF ALUMINUM LITHIUM DEUTERIDE AND DETERMINATION METHOD	2021/10/12
2021/07728	UNIVERSAL METHOD FOR ASSESSING CHANGES OF REGIONAL HABITAT LANDSCAPE	2021/10/13
2021/07729	THREE-DIMENSIONAL STRUCTURE STITCHBONDING FORMING DEVICE AND STITCHBONDING FORMING METHOD	2021/10/13
2021/07730	PISTON INSERT RING MEASURING AND FEEDING DEVICE	2021/10/13
2021/07731	METHOD FOR PREPARING ALUMINUM-SCANDIUM MASTER ALLOY BY USING CHLORIDE-OXIDE SYSTEM MOLTEN SALT ELECTROLYSIS	2021/10/13
2021/07732	PISTON INSERT RING MEASURING SYSTEM	2021/10/13
2021/07733	PISTON INSERT RING MEASURING LINE	2021/10/13
2021/07734	AED SYSTEM WITH REMOTE CALL RESCUE GUIDANCE FUNCTION	2021/10/13
2021/07735	ACTIVE POWER REGULATION METHOD AND DEVICE FOR WIND TURBINES BASED ON WIND SPEED MEASUREMENT IN ADVANCE	2021/10/13
2021/07736	THERMOPLASTIC COMPOSITE FILM	2021/10/13
2021/07737	APPARATUS FOR PROCESSING PHOTOELECTRIC DISPLAY THIN FILM DEVICE	2021/10/13
2021/07738	USE OF OSBZR1 GENE AND ENCODED PROTEIN IN REGULATING RESISTANCE TO RICE SHEATH BLIGHT	2021/10/13
2021/07739	HYDROPHOBIC DUAL-LIGAND METAL-ORGANIC FRAMEWORK (MOF) AND PREPARATION METHOD AND USE THEREOF IN ADSORPTION OF VOLATILE	2021/10/13

Application Number	Patent Title	Filing Date
	ORGANIC COMPOUND (VOC)	
2021/07740	BLACK FILM UNWINDING AND MULCHING APPARATUS FOR BLACK-FILM WEEDS SHIELDING IN RICE PLANTING	2021/10/13
2021/07741	ULTRA-HIGH VOLTAGE FIBER COMPOSITE CORE OVERHEAD CONDUCTOR	2021/10/13
2021/07742	NEW TYPE OF AUTOMATIC VULCANIZATION UNIT WITH WRAPPING BELT	2021/10/13
2021/07743	ELASTIC FINGER CLAMPING DEVICE AND CLAMPING FORCE CALCULATION METHOD THEREOF	2021/10/13
2021/07744	FERMENTATION METHOD OF CORN STALK, FERMENTED CORN STALK PREPARED BY THE METHOD AND ITS APPLICATION	2021/10/13
2021/07745	METHOD FOR PROCESSING CADMIUM-REMOVAL CUTTLEFISH SAUCE	2021/10/13
2021/07746	PREPARATION PROCESS OF LIGHTWEIGHT COATED PAPER AND COATING FOR COATING SAME	2021/10/13
2021/07747	UNMANNED FOOD DELIVERY DEVICE IN CABIN AND USE METHOD THEREOF	2021/10/13
2021/07748	METHOD AND SYSTEM FOR ANALYZING SEISMIC ACTIVE FIELD BASED ON EXPANSION OF EMPIRICAL ORTHOGONAL FUNCTION	2021/10/13
2021/07749	METHOD FOR DIRECTLY SEPARATING WOOD VINEGAR AND WOOD TAR ON-LINE	2021/10/13
2021/07752	METHOD AND SYSTEM FOR ANALYZING NATURE RESERVE PROTECTION GAPS	2021/10/13
2021/07780	METHOD AND SYSTEM FOR PLAYING PROMOTION MEDIA CONTENT IN TELECOMMUNICATION NETWORK	2021/10/13
2021/07785	METHOD FOR PROSPECTING AND EXPLORATION OF CARLIN-TYPE GOLD DEPOSITS BY USING CALCITE CHARACTERISTICS	2021/10/14
2021/07786	MOO ₂ -DOPED POLYDOPAMINE PLATINUM PARTICLE NANOMATERIAL AND A PREPARATION METHOD THEREOF	2021/10/14
2021/07787	AN ENVIRONMENT-FRIENDLY FLAME-RETARDANT NEOPRENE MATERIAL FOR SHOES	2021/10/14
2021/07788	A KIND OF SHOE UPPER FOR NEW TYPE TRAINING SHOES	2021/10/14
2021/07789	VERTICAL SHAFT STRAIGHT HOLE PROGRESSIVE CUT METHOD BASED ON REINFORCED CRACKING CHARGE AND SINGLE-SIDE SLIT CHARGE	2021/10/14
2021/07790	ARTIFICIAL INTELLIGENCE BASED QUALITY AND NUTRITION RATING SYSTEM OF AGRICULTURAL PRODUCTS	2021/10/14
2021/07791	METHOD FOR EFFICIENTLY RECOVERING ARSENIC, ANTIMONY AND BISMUTH FROM COPPER ANODE SLIME IN STEPS	2021/10/14
2021/07792	INTELLIGENT TWO-DIMENSIONAL CARBON FIBER COMPOSITE PRESSURE CYLINDER AND PREPARATION METHOD THEREOF	2021/10/14
2021/07793	THREE-DIMENSIONAL BRAIDED CARBON-CARBON	2021/10/14

Application Number	Patent Title	Filing Date
	COMPOSITE PLATE AND PREPARATION METHOD THEREOF	
2021/07794	COMPOSITE ACTIVATED POROUS CARBON MATERIAL AND PREPARATION METHOD AND APPLICATION THEREOF	2021/10/14
2021/07795	PORTABLE MULTIFUNCTIONAL DRYING DEVICE FOR FIELD SAMPLING	2021/10/14
2021/07796	CIRCUIT BOARD DETECTION TOOLING	2021/10/14
2021/07797	HIGH-EFFICIENCY SCREW DISSOLVING DEVICE	2021/10/14
2021/07798	SURFACE ACTIVATION TREATMENT DEVICE AND PROCESS FOR ACTIVATED CARBON FIBER TO ADSORB HEAVY METAL IONS	2021/10/14
2021/07799	PHOTOELECTRIC SMOKE DETECTOR FOR AIRCRAFT CARGO COMPARTMENT	2021/10/14
2021/07800	EVALUATION METHOD FOR SOIL FERTILITY OF PURPLE SOIL PADDY FIELD	2021/10/14
2021/07801	METHOD FOR PREPARING SEA CUCUMBER STEROL SULFATE AND APPLICATION THEREOF	2021/10/14
2021/07802	TERNARY COMPOSITE COMPONENT HIGH-EFFICIENCY ANTIMICROBIAL AND ANTIVIRAL TREATMENT AGENT, PREPARATION METHOD AND USES THEREOF	2021/10/14
2021/07803	METHOD FOR PREPARING SILICON-BASED SILVER-LOADED ANTIBACTERIAL AGENT	2021/10/14
2021/07804	FERTILIZATION METHOD FOR CONTROLLING TOTAL AMOUNT OF POTASSIUM FERTILIZER FOR TOBACCO AND DELAYING TOPDRESSING	2021/10/14
2021/07830	BOTTOM STRUCTURE FOR POWDER MIXING AGITATOR, MIXING AGITATOR, AND STORAGE DEVICE	2021/10/14
2021/07842	NANO POTASSIUM SILICATE FERTILIZER AND PREPARATION METHOD THEREOF	2021/10/15
2021/07843	DESIGN OF AN LED FREEFORM LENS BASED ON THE BIDIRECTIONAL FEEDBACK GRID METHOD	2021/10/15
2021/07844	CAST COPPER ROTOR OF MOTOR	2021/10/15
2021/07845	MULTI-AXIS NUMERICAL CONTROL GRIPPER BASED ON PARALLEL MECHANISM	2021/10/15
2021/07846	INDUSTRIAL ROBOT BASED ON INTERNET OF THINGS	2021/10/15
2021/07847	TENSION ADJUSTING BOLT	2021/10/15
2021/07848	VAGINAL MICROBIAL MARKER FOR EVALUATING CERVICAL CANCER RISK AND APPLICATION THEREOF	2021/10/15
2021/07849	HIGH-STRENGTH COLD ROLLED STEEL SHEET STAMPING PART	2021/10/15
2021/07850	METHOD FOR DETECTING INTERNAL DEFECTS OF AUTOMOBILE BRAKE DISC	2021/10/15
2021/07851	CHAIN TYPE TOOL MAGAZINE OF NUMERICAL CONTROL MACHINING CENTER	2021/10/15
2021/07852	CONIP-RGO/S COMPOSITE LITHIUM-SULFUR BATTERY CATHODE MATERIAL AND PREPARATION METHOD THEREOF	2021/10/15

Application Number	Patent Title	Filing Date
2021/07853	TRPV3 INHIBITOR AND PREPARATION METHOD THEREOF	2021/10/15
2021/07859	INTERLAYER REINFORCED TWO-DIMENSIONAL/THREE-DIMENSIONAL BRAIDED COMPOSITE AUTOMOBILE LEAF SPRING AND PREPARATION METHOD THEREOF	2021/10/15
2021/07860	METHOD FOR COLLECTING SEMEN IN RAMS BY ELECTRICAL STIMULATION	2021/10/15
2021/07861	SUBSOILER FOR DEEP-ROOTED CROPS	2021/10/15
2021/07862	BEARING AND SAMPLE LOADING MECHANISM FOR ROCK TRIAXIAL LOADING MODEL	2021/10/15
2021/07865	MODULAR MOVABLE FURNITURE AND DISPLACEMENT METHOD THEREOF	2021/10/15
2021/07867	A METHOD FOR DEVELOPING AND EVALUATING METFORMIN HYDROCHLORIDE LOADED MICROSPHERES	2021/10/15
2021/07868	A METHOD FOR MEASURING A SOFTWARE ARCHITECTURAL COMPLEXITY BASED ON UML	2021/10/15
2021/07869	AN IOT AND SENSOR BASED CHILD FENCING SYSTEM	2021/10/15
2021/07896	DETECTION MECHANISM FOR DETECTING FERTILIZATION CONTINUITY	2021/10/18
2021/07898	LOG DATA AUGMENTATION METHOD BASED ON CONTRASTIVE LEARNING	2021/10/18
2021/07899	MECHANICAL PENCIL WITH FUNCTION OF MAKING PENCIL LEAD EVENLY WRITING	2021/10/18
2021/07900	POLYUNSATURATED FATTY ACID CALCIUM-ZINC-FERRITE-MAGNESIUM COMPOSITE FORMULATION AND PREPARATION METHOD AND APPLICATION THEREOF	2021/10/18
2021/07901	RADIATION DOSE RATE MEASURING SYSTEM BASED ON A HIGH-PURITY GERMANIUM DETECTOR	2021/10/18
2021/07902	IN-SITU CONCENTRATION REACTION KETTLE	2021/10/18
2021/07903	MARINE WATER QUALITY MONITORING PLATFORM WITH SELF-GENERATING ELECTRICITY AND MONITORING TECHNOLOGY POWERED BY SELF-GENERATING ELECTRICITY	2021/10/18
2021/07904	PARKING GUIDANCE AND CONTROL SYSTEM BASED ON PARKING SPACE INFORMATION	2021/10/18
2021/07905	BUSINESS TRANSACTION INFORMATION ASSOCIATION PROCESSING METHOD, PLATFORM AND PROCESSING SYSTEM	2021/10/18
2021/07906	AIR CURTAIN SYSTEM FOR WARD VENTILATION AND USE METHOD THEREOF	2021/10/18
2021/07907	MINIATURE FIXING FRAME	2021/10/18
2021/07908	LAMB THERMAL INSULATOR	2021/10/18
2021/07910	LOW TEMPERATURE PLASMA GENERATOR	2021/10/18
2021/07924	FERMENTED BACTERIAL FERTILIZER AND PREPARATION METHOD AND APPLICATION THEREOF	2021/10/18
2021/07925	METHOD OF PREPARATION OF A SOLID INCLUSION COMPLEX USING ARTIFICIAL NEURAL NETWORKS	2021/10/18

Application Number	Patent Title	Filing Date
2021/07926	A SYSTEM AND METHOD FOR DEVELOPING A SEMI-METALLIC SALTWATER BATTERY	2021/10/18
2021/07927	SPEECH INTELLIGIBILITY ENHANCEMENT SYSTEM FOR PERSONS USING COVID-19 PROTECTIVE FACE MASKS	2021/10/18
2021/07929	EPOXY RESIN MODIFIED BY NANO FILLERS	2021/10/18
2021/07930	HIGH SOLID CONTENT UREA-FORMALDEHYDE RESIN AND PREPARATION METHOD THEREOF	2021/10/18
2021/07959	A METHOD AND DEVICE FOR CONSTRUCTING MULTI PERIOD HIGH-DIMENSIONAL PROJECTION UNIT COMMITMENT MODEL	2021/10/19
2021/07960	ULTRA-HIGH PERFORMANCE LIQUID CHROMATOGRAPHY COUPLED WITH TANDEM MASS SPECTROMETRY METHOD FOR MEASURING ISOTOPE DILUTION	2021/10/19
2021/07962	PREPARATION DEVICE FOR PREPARING BUFFER SOLVENT	2021/10/19
2021/07963	COMPLEX LAMPLIGHT CONTROL DEVICE FOR PESTS AND CONTROL METHOD	2021/10/19
2021/07964	ENGINEERING SLURRY WITH ADJUSTABLE FLUIDITY ALONG WITH SHEAR RATE, PREPARATION METHOD AND APPLICATION THEREOF	2021/10/19
2021/07965	SEPARATION AND PURIFICATION METHOD OF GLYCOSAMINOGLYCAN AND PREPARATION METHOD OF SULFATED OLIGOSACCHARIDE	2021/10/19
2021/07966	METHOD FOR FEEDING HERMETIA ILLUCENS AND PREPARING COMPOSITE MATERIAL OF PUPARIUMS	2021/10/19
2021/07967	METHOD AND DEVICE FOR DETERMINING EVALUATION INDEX OF EFFECTIVE REINFORCEMENT RANGE	2021/10/19
2021/07968	METHOD FOR RAPIDLY DETECTING COMPACTION DEGREE OF RED CLAY	2021/10/19
2021/07969	AN ENEMA PHARMACEUTICAL COMPOSITION FOR TREATING DIARRHEA OF PIGLET	2021/10/19
2021/07970	AN OPTIMIZATION METHOD FOR IMPROVING WRITE PERFORMANCE OF 3D FLASH CHIPS IN SOLID STATE DISKS	2021/10/19
2021/07971	HAND HELD SPECIAL SYRINGE FOR SHEEP EPIDEMIC PREVENTION	2021/10/19
2021/07972	ASTAXANTHIN PICKERING EMULSION AND PREPARATION METHOD THEREOF	2021/10/19
2021/07973	MULTI-USER DETECTION METHOD BASED ON UPLINK GRANT-FREE NOMA SYSTEM	2021/10/19
2021/07974	PREPARATION METHOD OF THERANOSTIC AGENT WITH MONODISPERSE HETERONUCLEAR DIATOMIC ACTIVE SITES AND USE THEREOF	2021/10/19
2021/07975	BACILLUS AMYLOLIQUEFACIENS, MICROBIAL INOCULUM, AND PREPARATION METHOD AND USE THEREOF	2021/10/19
2021/07976	SALT-TOLERANT, POTASSIUM-RELEASING AND GROWTH-PROMOTING MICROBACTERIUM OXYDANS	2021/10/19

Application Number	Patent Title	Filing Date
	41-C8, MICROBIAL INOCULUM, AND USE THEREOF	
2021/07990	CELL-FREE PROTEIN SYNTHESIS METHOD	2021/10/19
2021/07991	METAL ORTHODONTIC MOUTH GAG	2021/10/19
2021/08005	PREFABRICATED ASSEMBLED O-SHAPED BEAM FOR URBAN RAIL TRANSIT AND ELEVATED BRIDGE	2021/10/19
2021/08022	CLAMP FOR MACHINE MANUFACTURING	2021/10/20
2021/08023	TIRE COMPRESSION RESISTANCE TESTING DEVICE	2021/10/20
2021/08024	COMMUNICATION EQUIPMENT AND COMMUNICATION METHOD FOR UNDERWATER DETECTION EQUIPMENT	2021/10/20
2021/08025	COPPER TUNGSTATE PHOTOANODE FILM AND PREPARATION METHOD THEREOF	2021/10/20
2021/08026	ANTI-EROSION GREEN ECOLOGICAL SEAWALL CAPABLE OF COLLECTING MARINE GARBAGE	2021/10/20
2021/08063	ANTI-OUTFLOW MEMBRANE RUPTURE INSTRUMENT FOR CLINICAL OBSTETRICS	2021/10/21
2021/08064	METHOD FOR CONSTRUCTING FIGURE PORTRAITS BASED ON CONTRASTIVE LEARNING	2021/10/21
2021/08065	POLYSACCHARIDE FROM THE FRUITING BODY OF PHLEBOPUS PORTENTOSUS AND ITS EXTRACTION, SEPARATION AND PURIFICATION METHOD	2021/10/21
2021/08066	GLOMUS VERSIFORME, COMPOSITION FOR SALINE-ALKALI LAND REMEDIATION AND METHOD FOR SALINE-ALKALI LAND REMEDIATION	2021/10/21
2021/08067	NOVEL NASAL IRRIGATION SYSTEM	2021/10/21
2021/08068	METHOD FOR PREPARING MICROWAVE DISCHARGE METAL CATALYST COATED WITH CHARACTERISTIC CARBON FILM AND APPLICATION THEREOF	2021/10/21
2021/08069	METHOD FOR REDUCING METHANE EMISSIONS DURING COW DUNG COMPOSTING	2021/10/21
2021/08070	MANIPULATOR FOR TRANSFERRING HEAT-TREATED WORKPIECES	2021/10/21
2021/08071	COLD-HEAT INTEGRATED HEAT TREATMENT EQUIPMENT BOX	2021/10/21
2021/08072	BREEDING METHOD OF BAMBOOS	2021/10/21
2021/08073	INTELLIGENT BOX-TYPE ENERGY-SAVING AQUACULTURE DEVICE	2021/10/21
2021/08074	TOBACCO STEM INFUSION DEVICE FOR BOTH FERTILIZER AND PESTICIDE	2021/10/21
2021/08075	SEPARATION STRUCTURE OF OLFACTORY TEST DEVICE FOR TAXIS OF INSECTS	2021/10/21
2021/08077	A SCREENING METHOD OF WATER-SOLUBLE COMPOUND VACCINE ADJUVANT	2021/10/21
2021/08078	AN ONLINE MONITORING METHOD FOR VOLATILE ORGANIC COMPOUNDS IN THE ATMOSPHERE	2021/10/21
2021/08079	A GRAIN INFORMATION PROCESSING METHOD AND MANAGEMENT SYSTEM COMBINED WITH ELECTRONIC MAP	2021/10/21
2021/08123	ORTHODONTIC RETAINER FOR RETAINING AFTER CORRECTION OF MAXILLARY DEVIATION OF PATIENT AND MANUFACTURING METHOD THEREFOR	2021/10/22

Application Number	Patent Title	Filing Date
2021/08124	DETECTION METHOD OF TUMOR CELL MARKER MIRNA-21 AND TUMOR CELL	2021/10/22
2021/08125	SPRAYING DEVICE FOR TOBACCO PLANTING	2021/10/22
2021/08126	AIR-PERMEABLE HOOK RAIL DEVICE FOR TOBACCO LEAF AIRING	2021/10/22
2021/08127	METHOD FOR CONSTRUCTING TOBACCO CORE COLLECTION BASED ON GENOMICS AND APPLICATION OF THE METHOD	2021/10/22
2021/08128	SEPARATION, INSTALLATION AND SYSTEM METHOD OF ORGANIC SOLVENT FOR FLAT PANEL DISPLAY BASED ON CONDENSATION METHOD	2021/10/22
2021/08130	INTELLIGENT ENERGY-SAVING AIR-HYDRAULIC CYLINDER AND INTELLIGENT ENERGY-SAVING AIR-HYDRAULIC CYLINDER POWER SYSTEM	2021/10/22
2021/08131	PLANTING METHOD FOR CHINESE RASPBERRY FOR LANDSCAPING	2021/10/22
2021/08132	SLUDGE PIPELINE CONVEYING DEVICE FOR SEWAGE PLANT AND THE OPERATION METHOD	2021/10/22
2021/08133	ABELMOSCHUS MANIHOT COMPOUND HEALTH DRINK AND PREPARATION METHOD THEREOF	2021/10/22
2021/08134	METHOD FOR DETECTING DRIVING STATE OF MOTOR TRAIN DRIVERS BASED ON VIDEO ANALYSIS	2021/10/22
2021/08135	DEVICE AND METHOD FOR MEASURING LIFE PARAMETERS OF BACTROCERA DORSALIS HENDEL	2021/10/22
2021/08137	METHOD OF PREDICTING PUBLIC SENTIMENT ON MICROBLOG TOPICS BASED ON SENTIMENT ANALYSIS	2021/10/22
2021/08177	COMPOUND AGENT FOR INHIBITING TOBACCO BUDDING AND INCREASING POTASSIUM CONTENT AND ITS APPLICATION METHOD	2021/10/25
2021/08178	LACTIC ACID BACTERIA-FERMENTED YANGJIAOCUI MELON JUICE AND PREPARATION METHOD THEREOF	2021/10/25
2021/08179	METHOD AND SYSTEM FOR DETERMINING ANISOTROPIC PERMEABILITY OF INTERCALATED SHALE	2021/10/25
2021/08180	SIMULATION TEST METHOD FOR MONITORING THREE-DIMENSIONAL TEMPERATURE FIELD OF GEOTHERMAL WATER REINJECTION	2021/10/25
2021/08183	METHOD FOR TREATING ACID MINE DRAINAGE IN CLOSED COAL MINE	2021/10/25
2021/08184	PORTABLE HIGH-SENSITIVITY IMMUNOASSAY KIT FOR RACTOPAMINE AND APPLICATION THEREOF	2021/10/25
2021/08185	PREPARATION AND APPLICATION OF MOLECULARLY IMPRINTED COMPOSITE MEMBRANE BASED ON THE CAGE-SHAPED FILLERS	2021/10/25
2021/08186	ASSESSMENT METHOD OF POTENTIAL ECOLOGICAL RISKS OF HEAVY METALS IN TOPSOIL OF A FARMLAND REGION	2021/10/25
2021/08187	HPLC-MS/MS DETERMINATION METHOD FOR FLURIDONE RESIDUE	2021/10/25
2021/08188	METHOD FOR DETERMINING CYAZOFAMID AND ITS	2021/10/25

Application Number	Patent Title	Filing Date
	METABOLITE RESIDUES BASED ON HPLC-MSMS METHOD	
2021/08189	PREPARATION METHOD OF WETTABLE POWDER OF ALTERNARIA TENUISSIMA STRAIN	2021/10/25
2021/08190	PREPARATION METHOD OF TRADITIONAL CHINESE MEDICINE HEALTH-PRESERVING COFFEE DRINK	2021/10/25
2021/08192	PAIN SIGNAL DETECTION DEVICE BASED ON ANIMAL BODY COMMUNICATION AND DETECTION METHOD THEREOF	2021/10/25
2021/08193	METHOD FOR REALIZING ANTI-ICING OF AIRCRAFT SURFACE BY LUBRICATING WITH PHASE-CHANGE MATERIAL	2021/10/25
2021/08194	METHOD FOR REALIZING ANTI-ICING OF AIRCRAFT SURFACE BY LUBRICATING WITH MAGNETO-SENSITIVE POROUS ANTI-ICING COMPOSITE MATERIAL	2021/10/25
2021/08195	AIRCRAFT ANTI-ICING COMPOSITE MATERIAL AND PREPARATION METHOD THEREOF	2021/10/25
2021/08196	SUPER-HYDROPHOBIC COATING COMPOSITE MATERIAL FOR ANTI-ICING AND DE-ICING AND PREPARATION METHOD THEREOF	2021/10/25
2021/08238	PHOTO-ASSISTED SILVER NANOCLUSTER-BIOMACROMOLECULE COMPOSITE ANTIBACTERIAL AGENT	2021/10/26
2021/08240	ALL-IN-ONE SENSOR FOR UNDERGROUND EXPLORATION	2021/10/26
2021/08241	EFFICIENT AND ENVIRONMENTALLY-FRIENDLY LONG SPIRAL ROCK-SOCKETED PILE DRIVER	2021/10/26
2021/08242	RECIPROCATING WATER BLOWING DEVICE FOR ELECTROPLATED PENDANT	2021/10/26
2021/08246	A SAMPLE DISPLAY DEVICE FOR LANDSCAPE DESIGN	2021/10/26
2021/08248	BACILLUS SUBTILIS, PREPARATION FOR PREHARVEST TREATMENT ON EDIBLE FUNGI AND APPLICATION THEREOF	2021/10/26
2021/08250	PRIMER AND PROBE FOR DETECTING ECHINOCOCCUS AND KIT THEREOF	2021/10/26
2021/08276	DIAGNOSTIC REAGENTS	2021/10/26
2021/08809	METHOD AND SYSTEM FOR OPERATION AND MAINTENANCE MANAGEMENT BASED ON GRAPHICAL SEMANTIC STRATEGY PROGRAMMING	2021/11/09
2021/08810	SYSTEM FOR INTELLIGENT WORK ORDER BASED ON GRAPHICAL STRATEGY PROGRAMMING ENGINE AND WORKING METHOD THEREOF	2021/11/09
2021/08811	SYSTEM AND METHOD FOR DIGITAL RESIDENTIAL SPECIFICATION BASED ON BIM ENGINE	2021/11/09

DESIGNS

Advertisement List for December 2021

Number of Advertised Designs: 146

Application Number	Design Articles	Filing Date
A2019/00368	THE SYDNEY 905 WATER FILTER COMPRISING A SET OF TWO INTEROPERABLE ARTICLES, NAMELY THE INFLOW COMPONENT AND THE OUTFLOW COMPONENT.	2019/03/14
A2019/00916	TOILET ENCLOSURE	2019/07/04
A2019/01379	TROLLEY	2019/09/18
A2019/01482	CEILING BOARD	2019/10/07
A2019/01587	TRAILER BODY	2019/10/24
A2020/00094	STORAGE CASE	2020/01/29
A2020/00380	Automobile	2020/03/19
A2020/00910	SCREEN DISPLAY	2020/06/29
A2020/00959	BEVERAGE BOTTLE	2020/07/10
A2020/00972	Bottle Carriers	2020/07/14
A2020/00974	Bottle Carriers	2020/07/14
A2020/00982	WEARABLE SANITISING DEVICE	2020/07/16
A2020/01041	A TEMPLE PROTECTOR	2020/07/31
A2020/01046	RAMP BLOCKS	2020/07/31
A2020/01047	RAMP BLOCKS	2020/07/31
A2020/01050	FACIAL MASK	2020/07/31
A2020/01055	Headwear and Headwear Accessories	2020/07/31
A2020/01058	ORAL CARE IMPLEMENTS	2020/08/03
A2020/01059	ORAL CARE IMPLEMENTS	2020/08/03
A2020/01060	ORAL CARE IMPLEMENTS	2020/08/03
A2020/01061	ORAL CARE IMPLEMENTS	2020/08/03
A2020/01062	ORAL CARE IMPLEMENTS	2020/08/03
A2020/01063	ORAL CARE IMPLEMENTS	2020/08/03
A2020/01065	HAND HELD TOOL	2020/08/04
A2020/01079	CONTROL AND DISPLAY INTERFACE	2020/08/07
A2020/01092	LOCATING DEVICE	2020/08/12
A2020/01148	Automobile	2020/08/24
A2020/01312	CARRIER FOR ELECTRONIC EQUIPMENT	2020/09/30
A2020/01407	Toy Car	2020/10/29
A2020/01586	AN OVEN	2020/12/04
A2021/00074	Disinfection Apparatus	2021/02/03
A2021/00075	Disinfection Apparatus	2021/02/03
A2021/00082	DESK	2021/02/03
A2021/00084	DESK	2021/02/03
A2021/00113	Band	2021/02/12
A2021/00163	Heavy Hammer Drills and Parts Thereof	2021/02/19
A2021/00179	HAIR DRIERS	2021/02/25
A2021/00186	DEFIBRILLATORS	2021/02/26
A2021/00191	TIRES	2021/03/01
A2021/00195	BATHROOM CABINET	2021/03/03

Application Number	Design Articles	Filing Date
A2021/00197	BATHROOM CABINET	2021/03/03
A2021/00198	BATHROOM CABINET	2021/03/03
A2021/00200	BATHROOM CABINET	2021/03/03
A2021/00202	BATHROOM CABINET	2021/03/03
A2021/00203	BATHROOM CABINET	2021/03/03
A2021/00204	BATHROOM CABINET	2021/03/03
A2021/00205	BATHROOM CABINET	2021/03/03
A2021/00206	BATHROOM CABINET	2021/03/03
A2021/00207	BATHROOM CABINET	2021/03/03
A2021/00208	BATHROOM CABINET	2021/03/03
A2021/00209	BATHROOM CABINET	2021/03/03
A2021/00223	CARTRIDGES	2021/03/03
A2021/00253	WATCH	2021/03/12
A2021/00254	WATCH	2021/03/12
A2021/00255	WATCH	2021/03/12
A2021/00256	WATCH	2021/03/12
A2021/00257	WATCH	2021/03/12
A2021/00258	WATCH	2021/03/12
A2021/00259	WATCH	2021/03/12
A2021/00260	WATCH	2021/03/12
A2021/00267	MIRROR FOR RAIL VEHICLES	2021/03/17
A2021/00300	GRAPHICAL USER INTERFACES	2021/03/24
A2021/00301	GRAPHICAL USER INTERFACES	2021/03/24
A2021/00311	WATER SPRAYER COMPONENT	2021/03/26
A2021/00326	FRONT UPPER GRILLE FOR VEHICLE	2021/03/30
A2021/00327	FRONT BUMPER FOR VEHICLE	2021/03/30
A2021/00328	FRONT GRILLE FOR VEHICLE	2021/03/30
A2021/00329	LOWER BUMPER FOR VEHICLE	2021/03/30
A2021/00342	STOPPER	2021/03/31
A2021/00343	STOPPER TOOL	2021/03/31
A2021/00347	SANITARY FAUCET	2021/03/31
A2021/00348	SANITARY FAUCET	2021/03/31
A2021/00414	AEROSOL GENERATING DEVICE, IN PARTICULAR TOBACCO HEATING DEVICE	2021/04/20
A2021/00415	AEROSOL GENERATING DEVICE, IN PARTICULAR TOBACCO HEATING DEVICE	2021/04/20
A2021/00416	AEROSOL GENERATING DEVICE, IN PARTICULAR TABACCO HEATING DEVICE	2021/04/20
A2021/00423	HAND SHOWER	2021/04/21
A2021/00424	SHOWER HEAD	2021/04/21
A2021/00425	SHOWER HEAD	2021/04/21
A2021/00427	SANITARY INSTALLATION	2021/04/21
A2021/00428	SANITARY INSTALLATION	2021/04/21
A2021/00430	FAUCET	2021/04/21
A2021/00433	LIQUID APPLICATOR	2021/04/22
A2021/00524	SAFETY BARRIER	2021/05/18
A2021/00526	SAFETY BARRIER	2021/05/18

Application Number	Design Articles	Filing Date
F2019/00329	THE SYDNEY 905 WATER FILTER COMPRISING A SET OF TWO INTEROPERABLE ARTICLES, NAMELY THE INFLOW COMPONENT AND THE OUTFLOW COMPONENT.	2019/02/27
F2019/00567	URINAL SCREEN	2019/05/02
F2019/01155	DEVICE FOR SUBTERRANEAN DRAINAGE INSTALLATION	2019/08/23
F2019/01588	TRAILER BODY	2019/10/24
F2019/01622	HOLDER	2019/10/31
F2019/01672	CHAIR	2019/11/11
F2020/00033	FILTRATION SYSTEM	2020/01/10
F2020/00077	HANDLE	2020/01/27
F2020/00084	AIRCRAFT	2020/01/28
F2020/00098	HOUSING	2020/01/29
F2020/00480	DISPENSING PACKAGING	2020/05/04
F2020/00583	SANITISING AND TEMPERATURE SCREENING STATION	2020/05/12
F2020/00915	BEARING HOUSINGS	2020/06/29
F2020/00923	FOLDABLE SHIELDS	2020/07/02
F2020/00965	WASHER ASSEMBLIES	2020/07/13
F2020/00973	Bottle Carriers	2020/07/14
F2020/00975	Bottle Carriers	2020/07/14
F2020/00997	A SET OF FIXING MEMBERS	2020/07/17
F2020/01042	RAMP BLOCKS	2020/07/31
F2020/01043	RAMP BLOCKS	2020/07/31
F2020/01044	RAMP BLOCKS	2020/07/31
F2020/01045	RAMP BLOCKS	2020/07/31
F2020/01115	Multiport Valves	2020/08/17
F2020/01142	SPORTS FACE MASK	2020/08/24
F2020/01177	DRILL STEEL	2020/09/02
F2020/01311	BATTERY CASING	2020/09/30
F2020/01313	CARRIER FOR ELECTRONIC EQUIPMENT	2020/09/30
F2020/01517	STORAGE SYSTEM	2020/11/24
F2020/01587	AN OVEN	2020/12/04
F2020/01611	INSULATING BOX LINER BLANK	2020/12/10
F2021/00083	DESK	2021/02/03
F2021/00180	HAIR DRIERS	2021/02/25
F2021/00210	BATHROOM CABINET	2021/03/03
F2021/00211	BATHROOM CABINET	2021/03/03
F2021/00212	BATHROOM CABINET	2021/03/03
F2021/00213	BATHROOM CABINET	2021/03/03
F2021/00214	BATHROOM CABINET	2021/03/03
F2021/00215	BATHROOM CABINET	2021/03/03
F2021/00216	BATHROOM CABINET	2021/03/03
F2021/00217	BATHROOM CABINET	2021/03/03
F2021/00218	BATHROOM CABINET	2021/03/03
F2021/00219	BATHROOM CABINET	2021/03/03
F2021/00220	BATHROOM CABINET	2021/03/03
F2021/00221	BATHROOM CABINET	2021/03/03

Application Number	Design Articles	Filing Date
F2021/00225	GATE LOCK	2021/03/04
F2021/00262	RESONATOR	2021/03/15
F2021/00268	MIRROR FOR RAIL VEHICLES	2021/03/17
F2021/00297	FLOW CONTROL DEVICE	2021/03/23
F2021/00298	FLOW CONTROL DEVICE	2021/03/23
F2021/00304	BATTERY MODULE	2021/03/25
F2021/00312	WATER SPRAYER COMPONENT	2021/03/26
F2021/00323	IRRIGATION COUPLINGS	2021/03/30
F2021/00324	IRRIGATION COUPLINGS	2021/03/30
F2021/00341	STOPPER	2021/03/31
F2021/00352	GATE BEAM COVERS	2021/04/06
F2021/00383	A MEDICAL NEEDLE ASSEMBLY	2021/04/14
F2021/00384	A MEDICAL NEEDLE ASSEMBLY	2021/04/14
F2021/00432	LIQUID APPLICATOR	2021/04/22
F2021/00496	KITS FOR ADJUSTABLE GLASS RAILING	2021/05/14
F2021/00523	SAFETY BARRIER	2021/05/18
F2021/00525	SAFETY BARRIER	2021/05/18
F2021/00527	SAFETY BARRIER	2021/05/18